



US00D966765S

(12) **United States Design Patent**
Anderson et al.

(10) **Patent No.:** **US D966,765 S**
(45) **Date of Patent:** **** Oct. 18, 2022**

(54) **TABLETOP**

(71) Applicant: **LIFETIME PRODUCTS, INC.**,
Clearfield, UT (US)

(72) Inventors: **McKay Anderson**, Clearfield, UT (US);
Frank Clegg, Fruit Heights, UT (US)

(73) Assignee: **LIFETIME PRODUCTS, INC.**,
Clearfield, UT (US)

(**) Term: **15 Years**

(21) Appl. No.: **29/727,212**

(22) Filed: **Mar. 9, 2020**

(51) **LOC (13) Cl.** **06-06**

(52) **U.S. Cl.**
USPC **D6/707.19**

(58) **Field of Classification Search**
USPC D6/641, 642, 656, 656.1, 656.12–656.19,
D6/685, 686, 691, 691.1–691.9, 702, 703,
(Continued)

(56) **References Cited**

U.S. PATENT DOCUMENTS

2,846,283 A 8/1958 Pasewalk
D192,113 S 1/1962 Anderson
(Continued)

FOREIGN PATENT DOCUMENTS

JP 1466723 3/2013
JP 1466724 3/2013

OTHER PUBLICATIONS

U.S. Appl. No. 29/724,971, filed Feb. 20, 2020.
(Continued)

Primary Examiner — Mary Ann Calabrese

(74) *Attorney, Agent, or Firm* — Maschoff Brennan

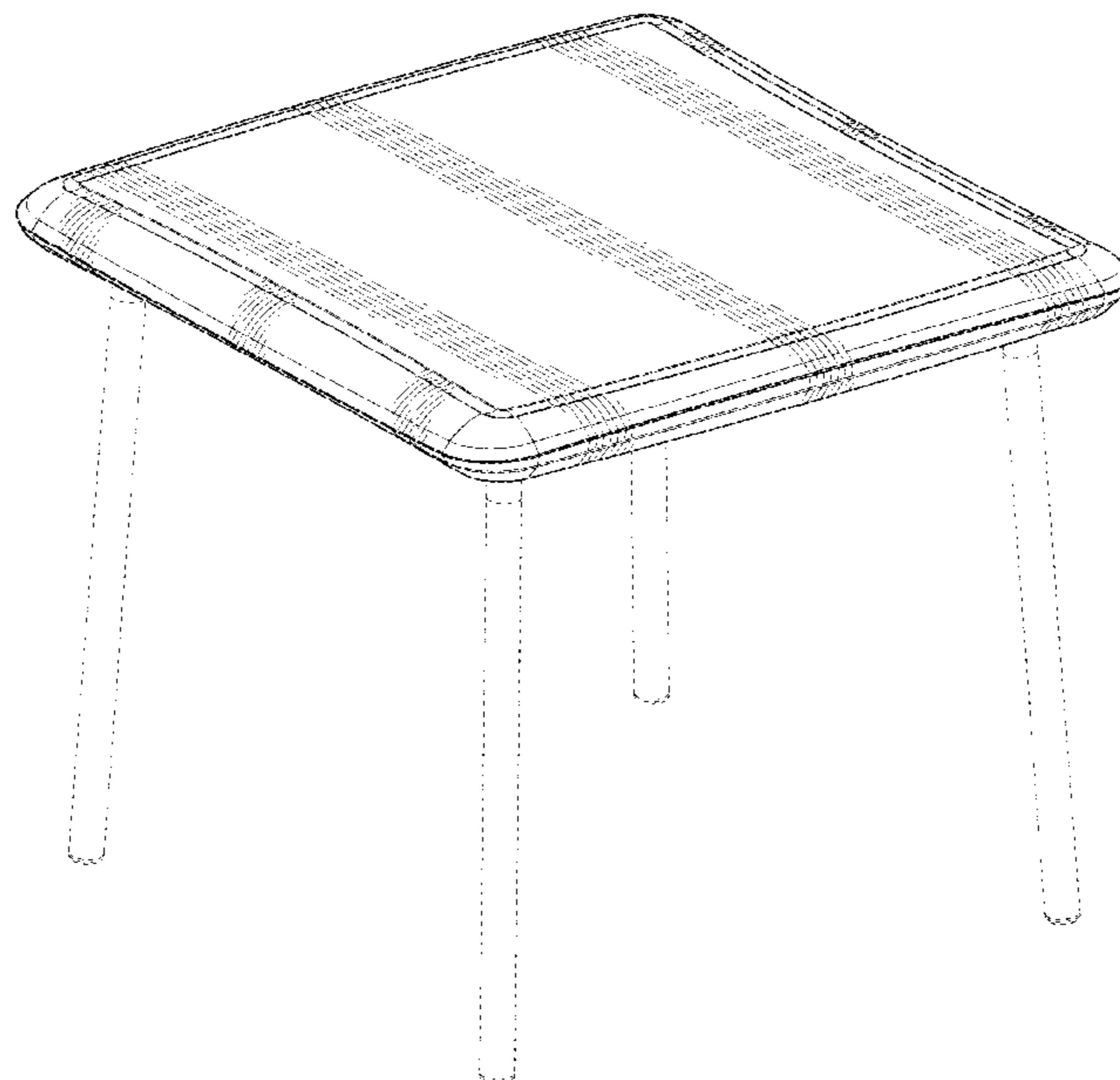
(57) **CLAIM**

The ornamental design for a tabletop, as shown and described.

DESCRIPTION

FIG. 1 is a top perspective view of a first embodiment of a tabletop showing my new design;
FIG. 2 is an enlarged top perspective view of the tabletop shown in FIG. 1;
FIG. 3 is a bottom perspective view of the tabletop shown in FIG. 1;
FIG. 4 is front view of the tabletop shown in FIG. 1, with the rear view being mirror images thereof;
FIG. 5 is a right-side view of the tabletop shown in FIG. 1, with the left-side view being a mirror image thereof;
FIG. 6 is a top view of the tabletop shown in FIG. 1;
FIG. 7 is a bottom view of the tabletop shown in FIG. 1;
FIG. 8 is a top perspective view of a second embodiment of a tabletop showing my new design;
FIG. 9 is an enlarged top perspective view of the tabletop shown in FIG. 8;
FIG. 10 is a bottom perspective view of the tabletop shown in FIG. 8;
FIG. 11 is front view of the tabletop shown in FIG. 8, with the rear view being mirror images thereof;
FIG. 12 is a right-side view of the tabletop shown in FIG. 8, with the left-side view being a mirror image thereof;
FIG. 13 is a top view of the tabletop shown in FIG. 8; and,
FIG. 14 is a bottom view of the tabletop shown in FIG. 8.
The broken line showing of table legs in FIGS. 3 and 8 illustrates environment that form no part of the claimed design. The broken lines shown in FIGS. 3, 7, 10 and 14 illustrates portions of the tabletop that form no part of the claimed design.

1 Claim, 12 Drawing Sheets



US D966,765 S

(58) **Field of Classification Search**

USPC D6/704, 705, 705.2, 705.5, 707, 707.15,
D6/707.18, 707.19, 707.22-707.24,
D6/707.26

CPC A47B 5/00; A47B 5/02; A47B 7/00; A47B
9/00; A47B 9/04; A47B 11/00; A47B
13/00; A47B 13/08; A47B 13/081; A47B
13/083; A47B 13/10; A47B 13/12; A47B
17/00; A47B 19/00; A47B 21/00; A47B
21/02; A47B 2200/0001

See application file for complete search history.

(56) **References Cited**

U.S. PATENT DOCUMENTS

3,565,414 A * 2/1971 Carslon D05B 75/02
269/53
5,173,348 A 12/1992 Gevaert
D332,711 S * 1/1993 Olson D6/672
5,809,901 A * 9/1998 Gutzmer A47B 13/083
52/716.3
6,371,034 B1 * 4/2002 Simpson A47B 3/0912
108/129
D468,135 S 1/2003 Ashby
D487,205 S 3/2004 Mower
D489,557 S * 5/2004 Strong D6/707.19
D495,173 S * 8/2004 Heisey D6/707.19
D499,283 S * 12/2004 Winter D6/707.19
6,912,961 B2 7/2005 Winter et al.
6,968,789 B2 11/2005 Baik et al.
7,051,662 B2 5/2006 Shenghao et al.
7,059,254 B2 6/2006 Strong et al.
7,096,799 B2 8/2006 Strong et al.
7,111,563 B2 9/2006 Strong
7,278,361 B2 10/2007 Zhurong et al.
7,331,297 B2 2/2008 Strong et al.
7,469,646 B2 12/2008 Baik et al.
7,475,642 B2 1/2009 Shenghao et al.
7,475,643 B2 1/2009 Haney et al.
7,475,644 B2 1/2009 Strong et al.
D585,684 S 2/2009 Frazier
7,640,870 B2 1/2010 Strong et al.
7,644,667 B2 1/2010 Strong et al.
D619,831 S 7/2010 Branch
7,905,185 B2 3/2011 Peery
D640,487 S 6/2011 Bennett
7,971,930 B2 7/2011 Larsen et al.
8,006,630 B2 8/2011 Strong et al.
8,033,228 B2 10/2011 Haney et al.
8,042,476 B2 10/2011 Stanford
8,069,796 B2 12/2011 Stanford
8,074,582 B2 12/2011 Stanford
8,156,875 B2 4/2012 Neunzert et al.
D658,912 S 5/2012 Winter
D659,450 S 5/2012 Winter et al.
8,166,894 B1 5/2012 Branch et al.
D662,736 S 7/2012 Peery et al.
D662,738 S 7/2012 Winter et al.
D667,659 S 9/2012 Winter et al.
D668,483 S 10/2012 Bennett
8,302,541 B2 11/2012 Haney et al.
D671,773 S 12/2012 Johnson et al.
D671,775 S 12/2012 Clegg
D671,776 S 12/2012 Clegg
D672,175 S 12/2012 Peery
8,342,107 B2 1/2013 Mower et al.
8,347,795 B2 1/2013 Peery et al.
8,375,871 B2 2/2013 Stanford
8,381,665 B2 2/2013 Stanford
8,381,666 B2 2/2013 Stanford
8,397,652 B2 3/2013 Peery et al.
8,397,653 B2 3/2013 Ashby et al.
8,408,146 B2 4/2013 Peery et al.
D681,982 S 5/2013 Clegg
D682,586 S 5/2013 Clegg

8,438,982 B2 5/2013 Stanford
D683,985 S 6/2013 Nye
D688,496 S 8/2013 Bennett
8,534,205 B1 9/2013 Johnson et al.
8,544,393 B2 10/2013 Branch et al.
8,555,789 B2 10/2013 Jin et al.
8,555,790 B2 10/2013 Winter et al.
8,555,791 B2 10/2013 Jin et al.
8,573,139 B2 11/2013 Ashby
8,578,863 B2 11/2013 Peery
8,578,865 B2 11/2013 Haney et al.
D696,882 S 1/2014 Clegg
8,622,007 B2 1/2014 Peery
D700,465 S 3/2014 Johnson et al.
D703,743 S * 4/2014 Harvey Pennaz D19/86
8,683,929 B2 4/2014 Peery et al.
8,720,990 B2 5/2014 Boydston
8,726,817 B2 5/2014 Bennett et al.
8,739,707 B2 6/2014 Stanford
8,746,155 B2 6/2014 Haney et al.
8,757,069 B2 6/2014 Peery et al.
D708,462 S 7/2014 Nye
D715,081 S 10/2014 Bennett
8,857,349 B2 10/2014 Peery et al.
D719,767 S * 12/2014 Scharer D6/656.17
8,904,623 B2 12/2014 Stanford
8,904,943 B2 12/2014 Jin et al.
8,943,982 B2 2/2015 Peery et al.
D727,074 S 4/2015 Johnson
8,997,663 B2 4/2015 Peery et al.
D733,475 S 7/2015 Johnson
D734,081 S 7/2015 Johnson
9,101,209 B2 8/2015 Bennett et al.
D739,672 S 9/2015 Johnson
D739,673 S 9/2015 Johnson
9,138,050 B2 9/2015 Peery
D742,671 S 11/2015 Johnson
9,173,482 B2 11/2015 Peery et al.
9,192,229 B2 11/2015 Peery et al.
9,192,230 B2 11/2015 Clegg et al.
9,237,801 B2 1/2016 Stanford
D748,418 S 2/2016 Johnson
D751,326 S 3/2016 Johnson
9,307,831 B2 4/2016 Peery et al.
D756,694 S 5/2016 Johnson
9,351,563 B2 5/2016 Bennett et al.
D759,411 S 6/2016 Johnson
9,486,076 B2 11/2016 Peery et al.
9,549,612 B2 1/2017 Peery
9,591,918 B2 3/2017 Nye et al.
9,642,459 B2 5/2017 Peery et al.
9,661,916 B2 5/2017 Peery et al.
9,730,514 B2 8/2017 Peery
9,763,513 B2 9/2017 Cai et al.
9,763,517 B2 9/2017 Peery et al.
9,848,699 B2 12/2017 Peery et al.
D863,853 S 10/2019 Johnson
D864,637 S 10/2019 Johnson
D865,417 S 11/2019 Chavarria
D867,798 S 11/2019 Clegg et al.
D884,399 S * 5/2020 Tan D6/686
10,806,247 B1 10/2020 Chen
D901,954 S 11/2020 Clegg
D903,390 S * 12/2020 Leng D6/707.19
D904,814 S * 12/2020 Leng D6/707.19
2003/0230219 A1 12/2003 Strong et al.
2005/0241551 A1 * 11/2005 Neunzert F16B 12/24
108/132
2013/0233210 A1 9/2013 Jin et al.
2019/0298054 A1 10/2019 Clegg
2020/0214440 A1 7/2020 Johnson et al.

OTHER PUBLICATIONS

U.S. Appl. No. 29/724,968, filed Feb. 20, 2020.
U.S. Appl. No. 29/700,015, filed Jul. 30, 2019.

(56)

References Cited

OTHER PUBLICATIONS

U.S. Appl. No. 29/794,815, filed Jun. 15, 2021.

* cited by examiner

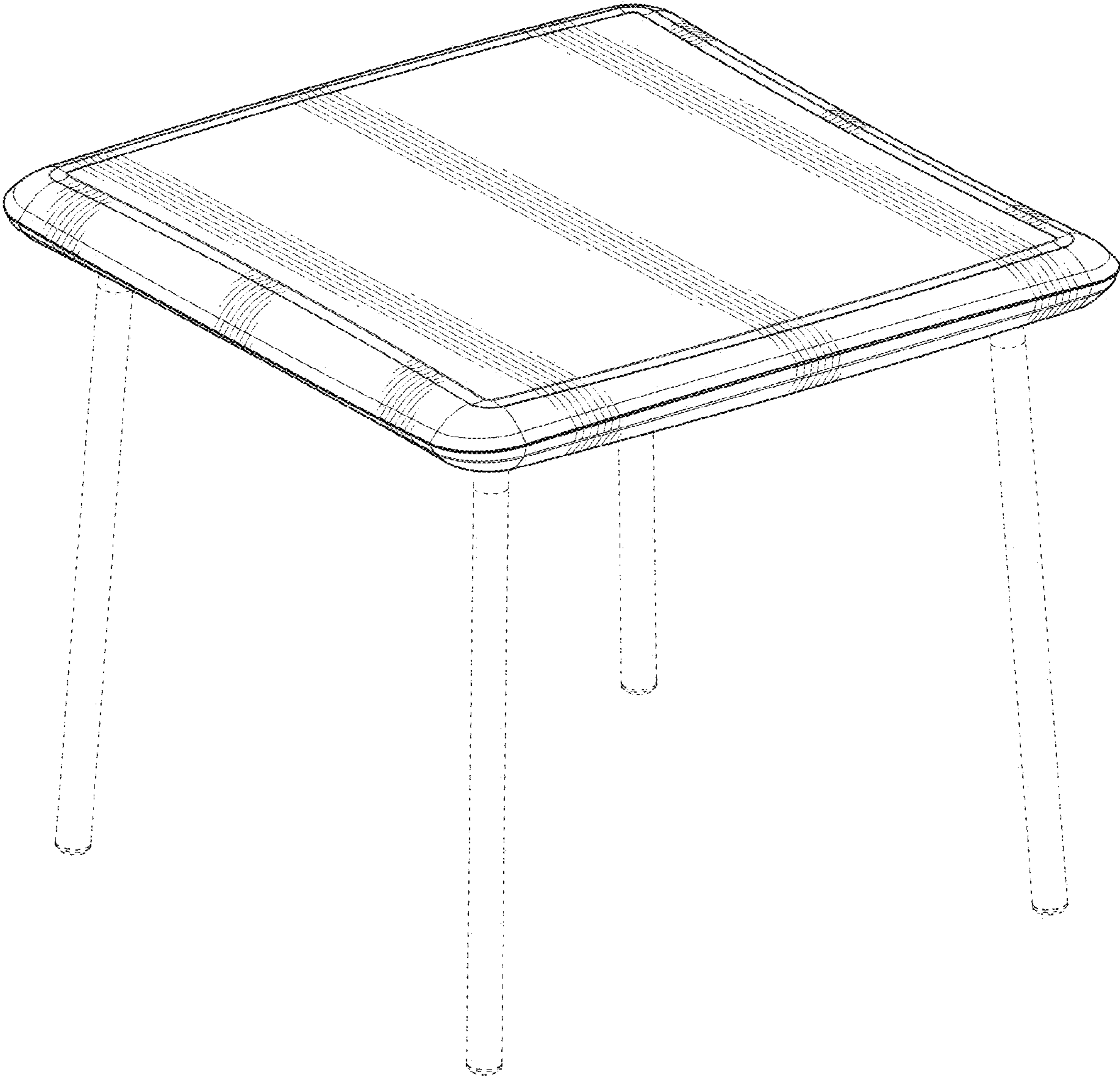


FIG. 1

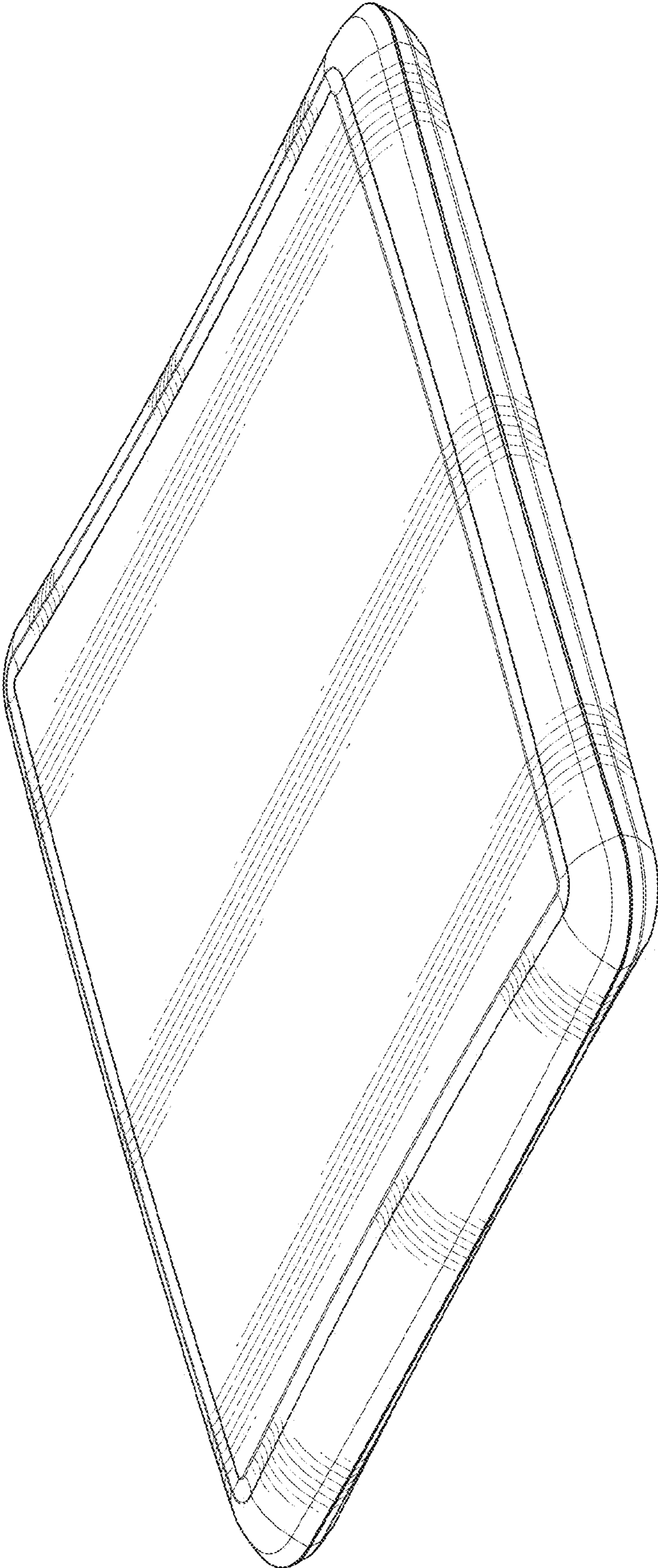


FIG. 2

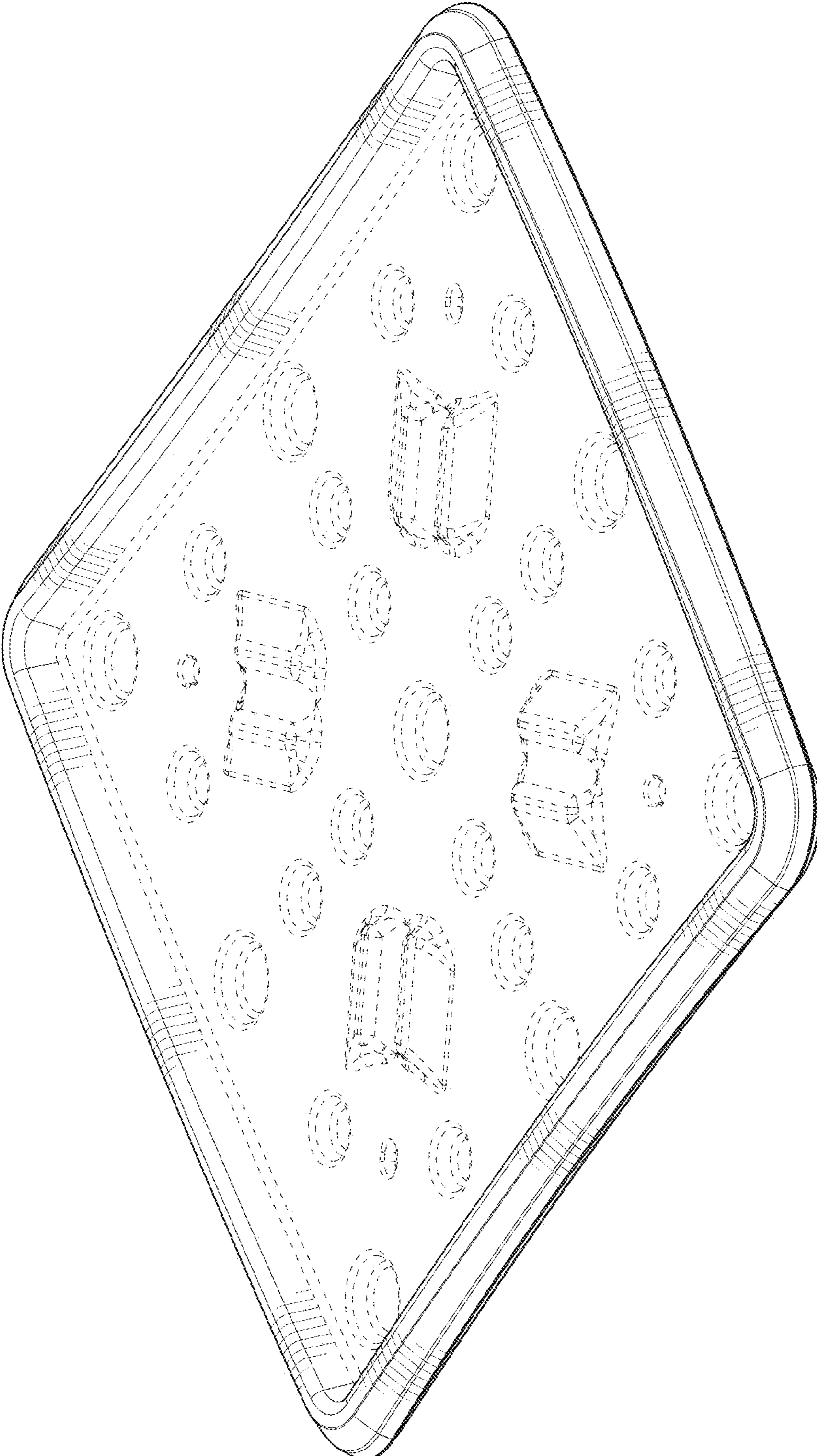


FIG. 3

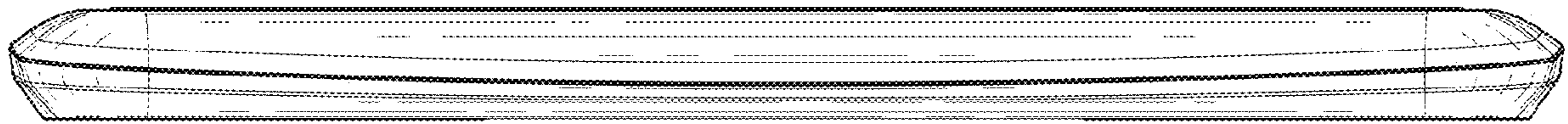


FIG. 4

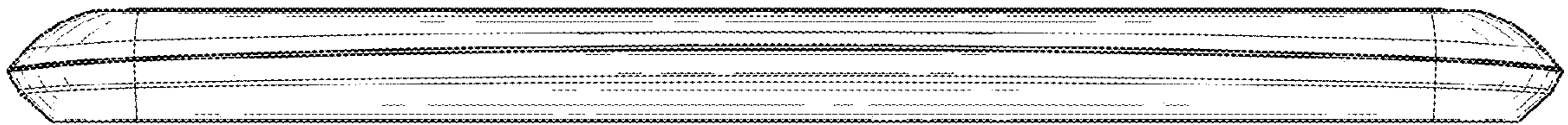


FIG. 5

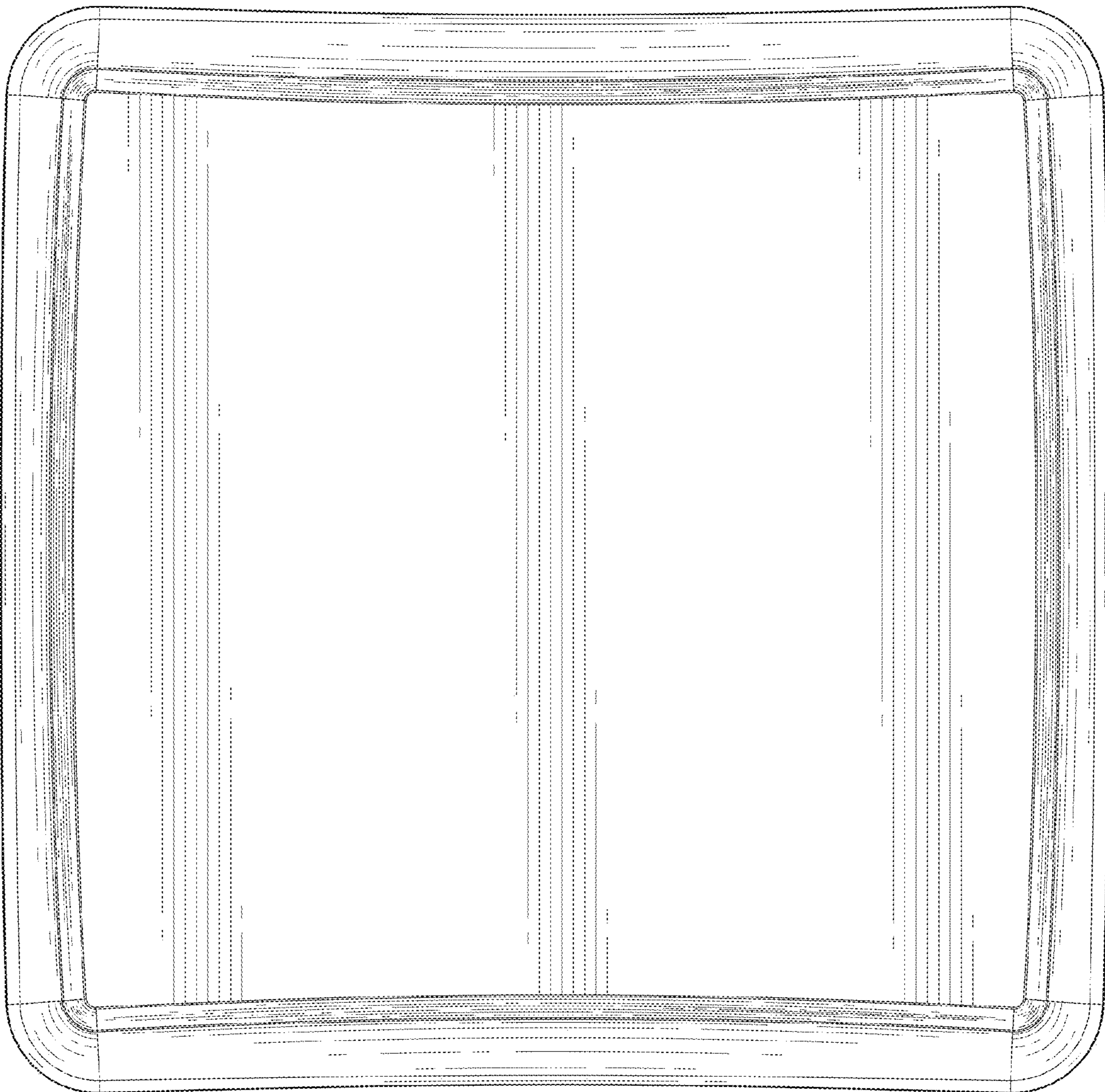


FIG. 6

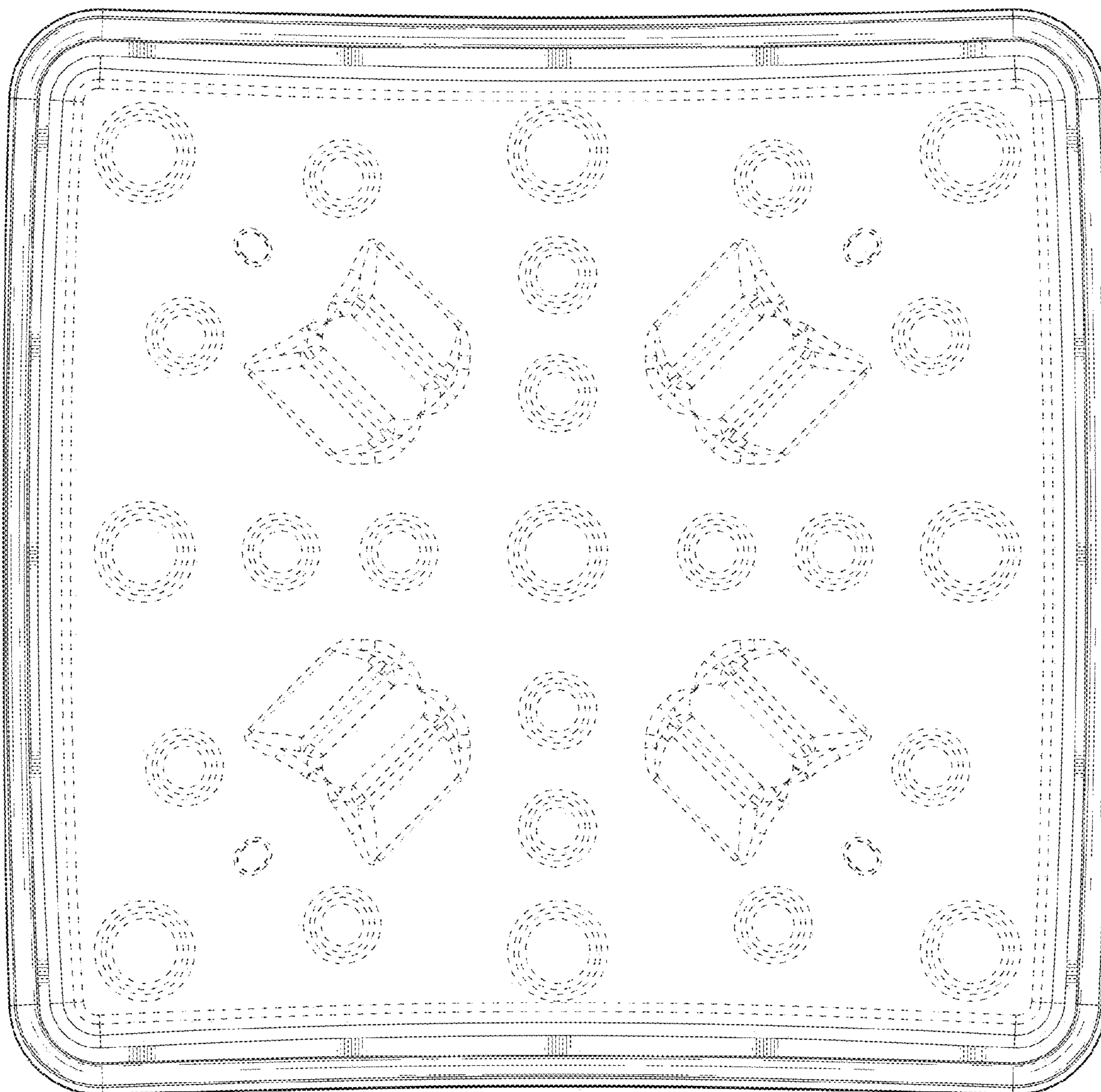


FIG. 7

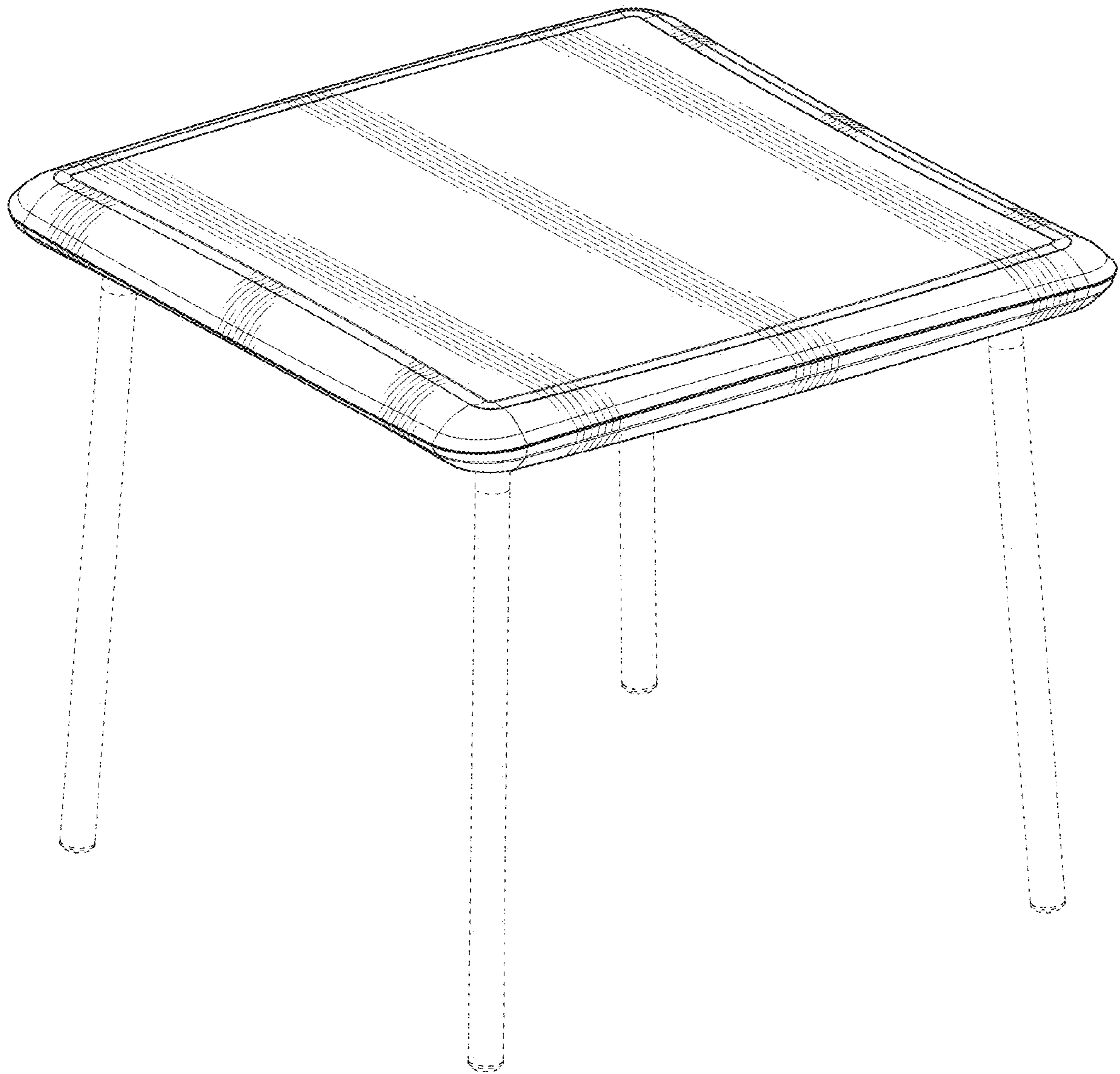


FIG. 8

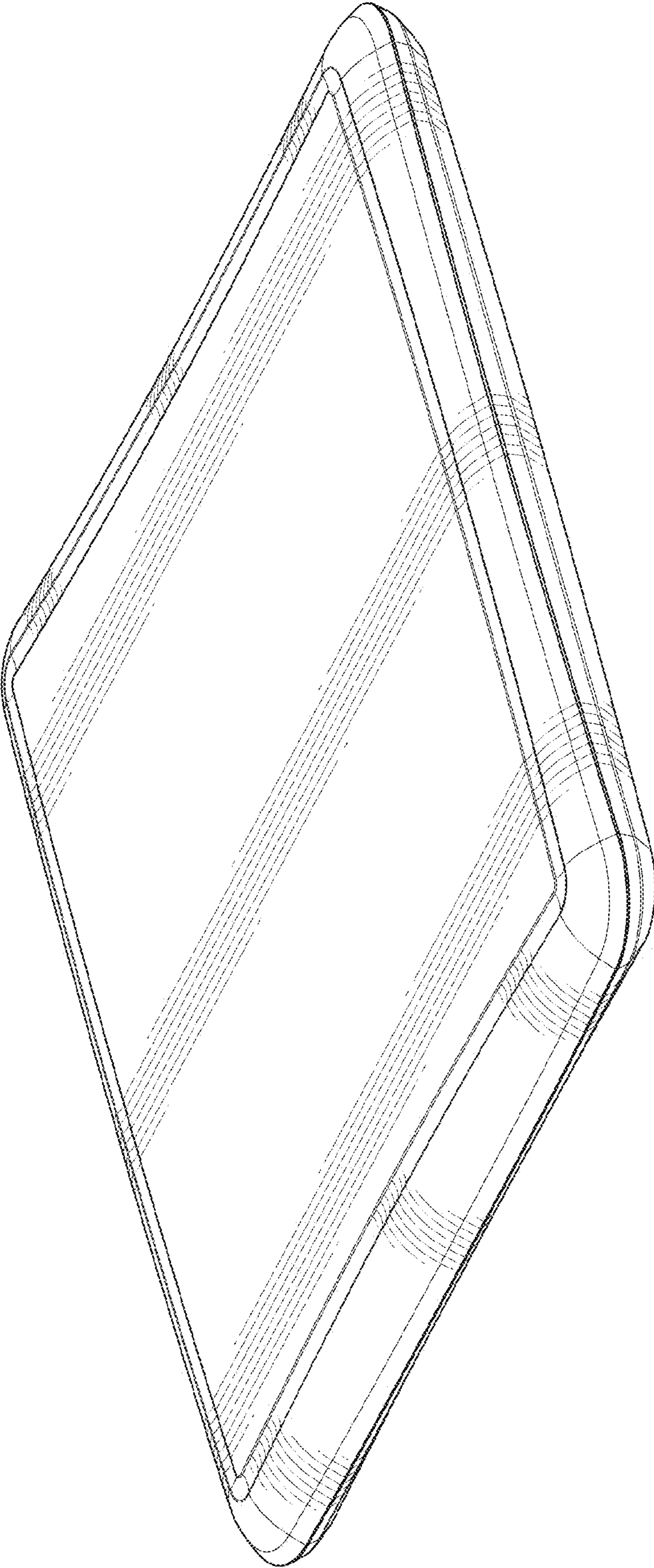


FIG. 9

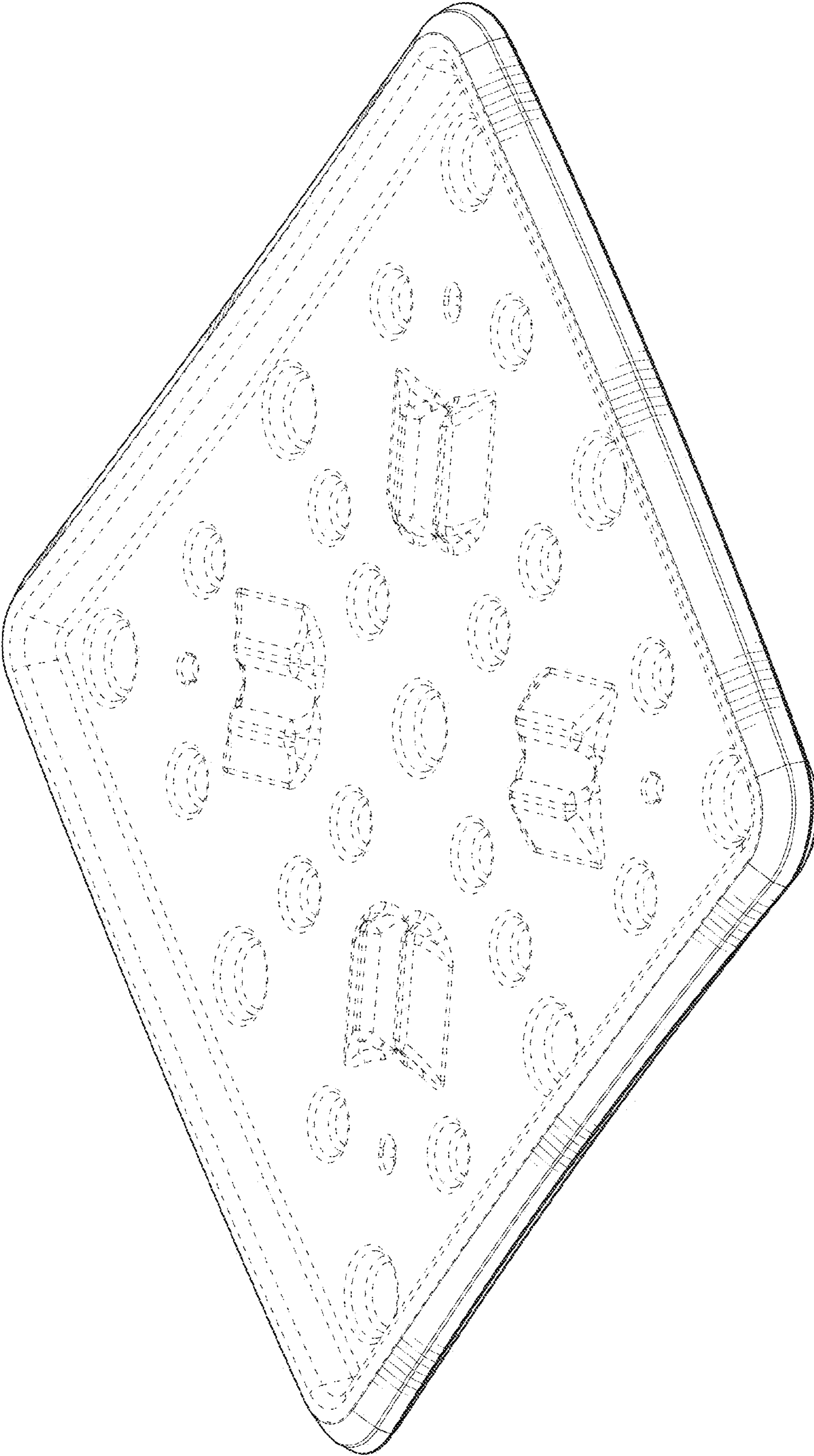


FIG. 10

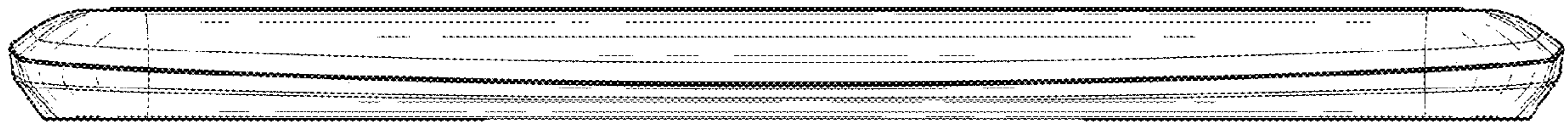


FIG. 11

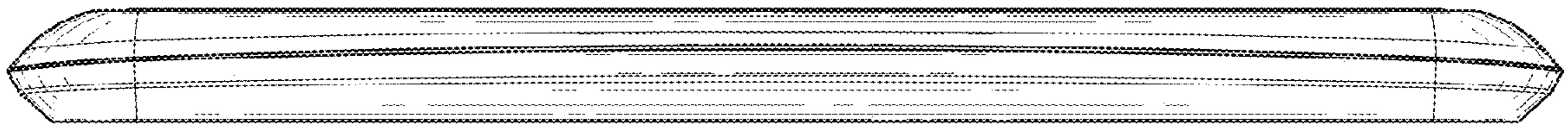


FIG. 12

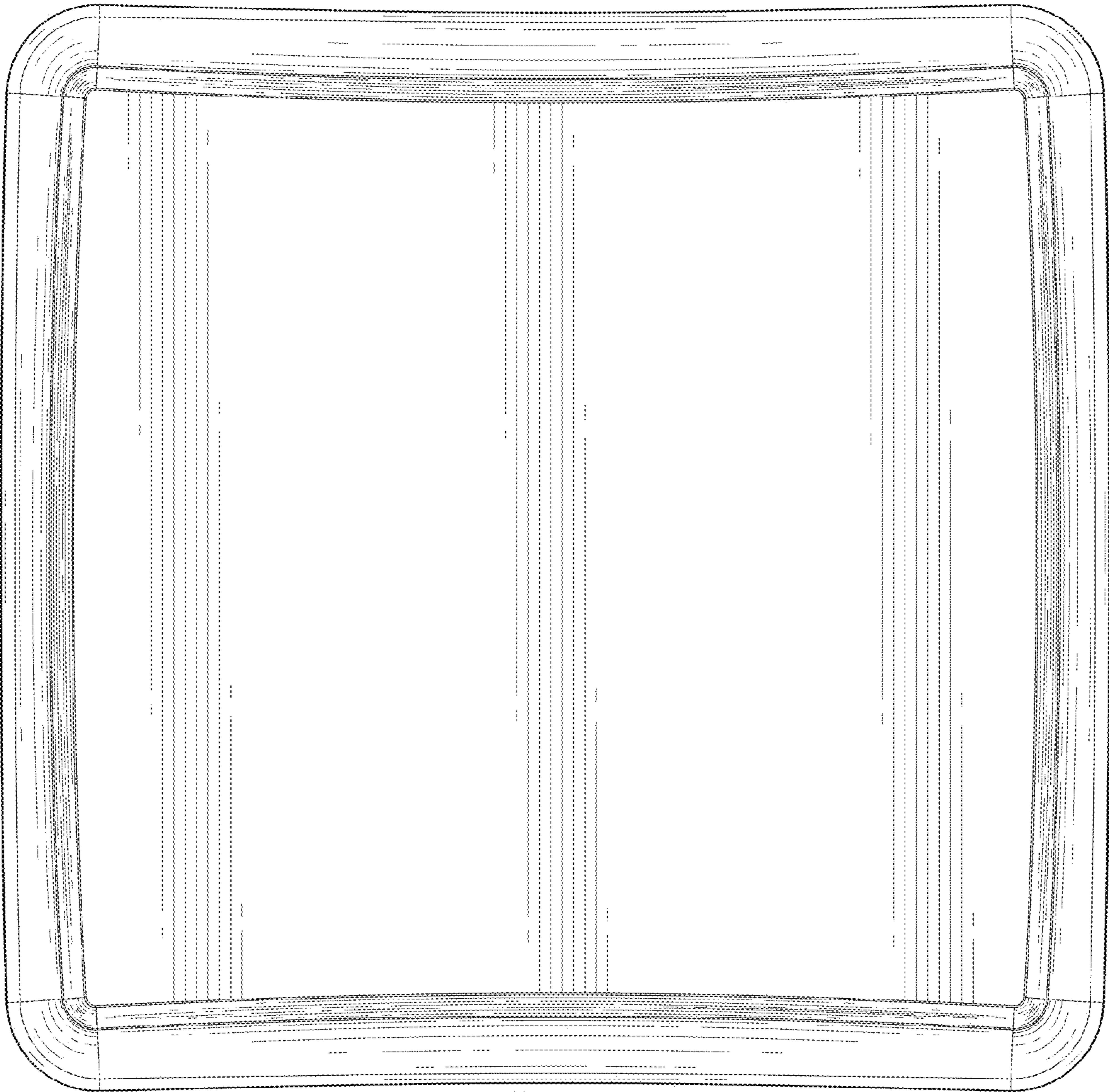


FIG. 13

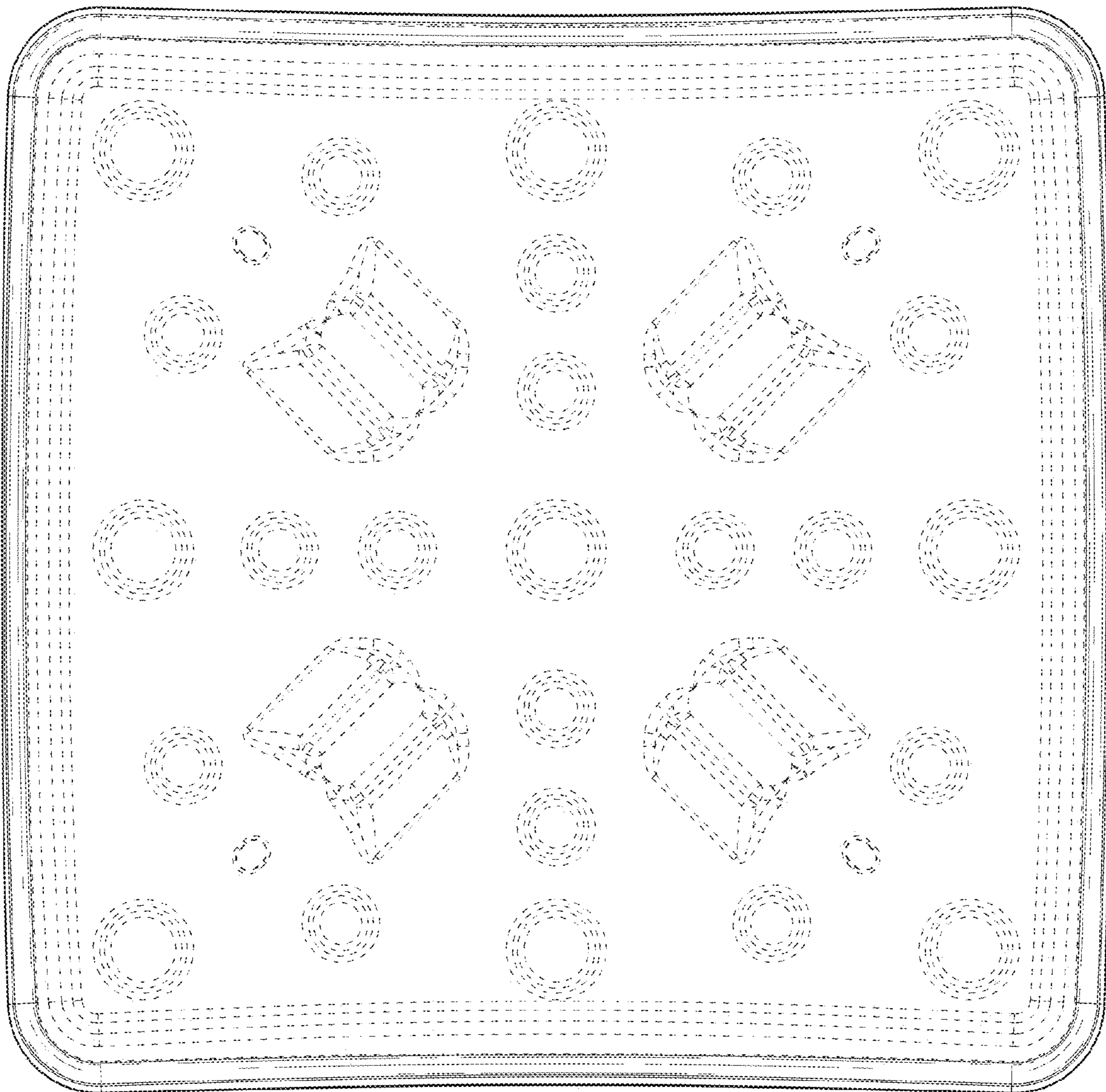


FIG. 14