



US00D966764S

(12) **United States Design Patent** (10) **Patent No.:** **US D966,764 S**
Siekmann (45) **Date of Patent:** **** Oct. 18, 2022**

(54) **SECTION FOR FURNITURE**

(71) Applicant: **SieMatic Möbelwerke GmbH & Co. KG, Löhne (DE)**

(72) Inventor: **Ulrich Wilhelm Siekmann, Löhne (DE)**

(73) Assignee: **Siematic Möbelwerke GmbH & Co. KG, Löhne (DE)**

(**) Term: **15 Years**

(21) Appl. No.: **29/815,234**

(22) Filed: **Nov. 12, 2021**

Related U.S. Application Data

(62) Division of application No. 29/665,827, filed on Oct. 8, 2018, now Pat. No. Des. 946,950.

(30) **Foreign Application Priority Data**

Apr. 10, 2018 (EM) 005228160-0001
Apr. 10, 2018 (EM) 005228160-0002
Apr. 10, 2018 (EM) 005228160-0003
Apr. 10, 2018 (EM) 005228160-0004
Apr. 10, 2018 (EM) 005228160-0005

(51) **LOC (13) Cl.** **06-13**

(52) **U.S. Cl.**
USPC **D6/702**

(58) **Field of Classification Search**
USPC D6/702, 706, 717; D8/349, 354, 373, D8/374, 382, 383, 394; D25/119, 121, D25/123, 125
CPC A47B 2220/00; A47B 2220/0036; A47B 2220/0038; A47B 2220/0041; A47B 2220/0044; A47B 2220/0061; A47B 2220/02; A47B 2230/01; A47B 2230/16
See application file for complete search history.

(56) **References Cited**

U.S. PATENT DOCUMENTS

D26,742 S * 3/1897 Caldwell et al. D12/51
D110,436 S * 7/1938 Lowry et al. D25/125
D162,842 S * 4/1951 Klein et al. D25/119
D200,632 S * 3/1965 O'keeffe et al. D25/119
3,241,284 A * 3/1966 Gregoire E04D 3/352
52/588.1
D209,071 S * 10/1967 Koch et al. D34/29
D219,808 S * 2/1971 Crowley et al. D25/125
D221,529 S * 8/1971 Kimmel et al. D25/119
D221,531 S * 8/1971 Kimmel et al. D25/119
D227,981 S * 7/1973 La Borde et al. D25/119
D228,992 S * 11/1973 Ramsey et al. D6/513
D236,202 S * 8/1975 Starck et al. D8/377
D237,103 S * 10/1975 Fisher et al. D25/119
D237,485 S * 11/1975 Lundberg et al. D25/124
D248,327 S * 6/1978 South D25/119
D251,391 S * 3/1979 Bancroft D25/125
D251,447 S * 3/1979 Bancroft D25/125

(Continued)

Primary Examiner — Steven J Czyz

(74) *Attorney, Agent, or Firm* — Laurence P. Colton; Smith Tempel Blaha LLC

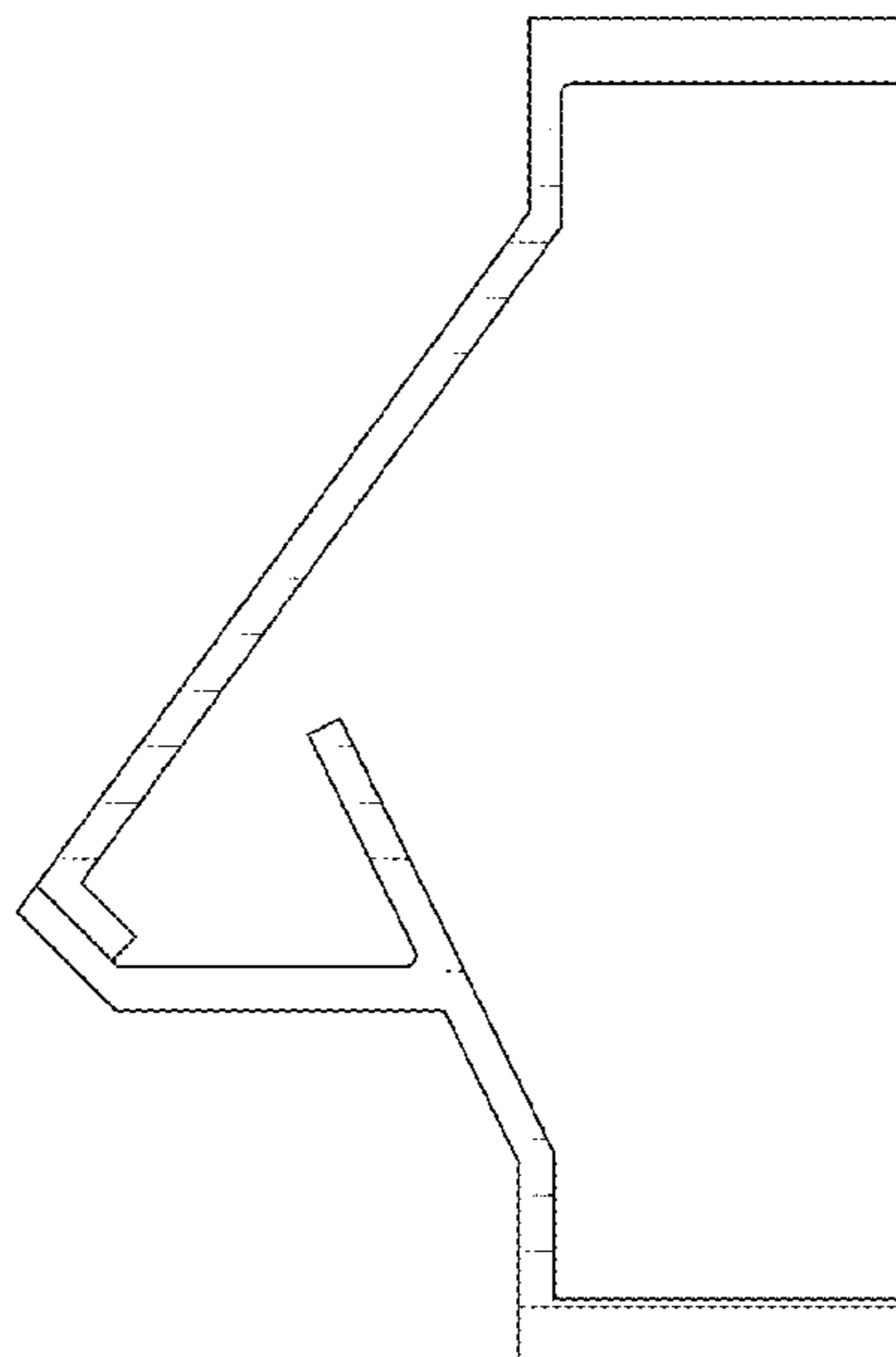
(57) **CLAIM**

The ornamental design for a section for furniture, as shown and described.

DESCRIPTION

FIG. 1 is an end view of a section for furniture of the present design; and,
FIG. 2 is a perspective view thereof.
The section for furniture is shown with a symbolic break in its length. The appearance of any portion of the article between the break lines forms no part of the claimed design. The broken lines depict portions of the article that form no part of the claimed design.

1 Claim, 2 Drawing Sheets



(56)

References Cited

U.S. PATENT DOCUMENTS

- D251,448 S * 3/1979 Bancroft D25/119
D251,504 S * 4/1979 Bancroft D25/119
D252,471 S * 7/1979 Broadbent D12/400
D258,538 S * 3/1981 Cribben D25/125
D265,625 S * 8/1982 Buck D8/354
D267,776 S * 2/1983 Holgersson D25/121
D283,295 S * 4/1986 Bancroft D25/119
D283,352 S * 4/1986 Bancroft D25/119
D284,435 S * 7/1986 Zelenko D6/512
4,606,147 A * 8/1986 DeWitt E06B 7/231
49/434
4,606,280 A * 8/1986 Poulton A47F 5/0068
108/152
D286,078 S * 10/1986 Bancroft D25/119
D286,186 S * 10/1986 Bancroft D25/125
D286,188 S * 10/1986 Bancroft D25/125
D286,195 S * 10/1986 Bancroft D25/125
D286,196 S * 10/1986 Bancroft D25/119
D286,199 S * 10/1986 Bancroft D25/119
D286,200 S * 10/1986 Bancroft D25/119
D286,743 S * 11/1986 Cohen D8/394
D288,282 S * 2/1987 Sheets D8/373
D289,202 S * 4/1987 Hardy D25/119
D293,719 S * 1/1988 Stepanian D25/125
D295,521 S * 5/1988 Mockett D13/155
D297,112 S * 8/1988 Holdaway D8/373
D298,738 S * 11/1988 Rumpel D8/371
D300,564 S * 4/1989 Meshulam D25/119
D300,565 S * 4/1989 Meshulam D25/119
D300,698 S * 4/1989 Price D25/119
D304,921 S * 12/1989 Castagna D12/190
D312,599 S * 12/1990 Johnston D12/15
D317,558 S * 6/1991 Daigle D8/354
D320,089 S * 9/1991 Boer D25/119
D330,772 S * 11/1992 Nelson D25/119
D335,711 S * 5/1993 Cole D25/124
D340,110 S * 10/1993 Reed D23/386
D341,078 S * 11/1993 Saavedra D8/395
D341,508 S * 11/1993 Cooper D25/119
D342,579 S * 12/1993 Mason D25/119
D343,005 S * 1/1994 Moss D25/119
D344,423 S * 2/1994 Pate D25/119
D344,424 S * 2/1994 Pate D25/119
D344,595 S * 2/1994 Ehmke D25/119
D345,268 S * 3/1994 Pate D25/119
D345,808 S * 4/1994 Bancroft D25/119
5,317,977 A * 6/1994 Omessi A47B 17/033
108/108
D352,963 S * 11/1994 Siler D19/65
D356,488 S * 3/1995 Gehiere D8/354
D361,138 S * 8/1995 Moore D25/119
D362,730 S * 9/1995 Schrader D25/124
D362,917 S * 10/1995 Hosseini D25/124
D366,410 S * 1/1996 Schlabach D25/121
D368,969 S * 4/1996 Davies D25/119
D371,210 S * 6/1996 De Zen D25/124
D375,175 S * 10/1996 DiGiorgio D25/124
D375,270 S * 11/1996 Nagai D10/85
D377,505 S * 1/1997 Thompson D20/43
D388,182 S * 12/1997 Payton D25/121
D402,058 S * 12/1998 Leonelli D25/124
D402,062 S * 12/1998 Leonelli D25/125
D402,534 S * 12/1998 McCoy D8/354
D405,544 S * 2/1999 Magnusson D25/121
D407,831 S * 4/1999 Gifford D25/136
D408,558 S * 4/1999 Levy D25/119
D408,559 S * 4/1999 Rekret D25/119
D408,931 S * 4/1999 Ito D25/119
D409,314 S * 5/1999 Ito D25/119
D410,192 S * 5/1999 Giese D8/354
D423,690 S * 4/2000 Grosfillex D25/119
6,047,502 A * 4/2000 Kimmitt E04D 13/076
52/11
D431,182 S * 9/2000 Szukhent, Jr. D25/125
D432,671 S * 10/2000 Grosfillex D25/119
D432,673 S * 10/2000 Grosfillex D25/124
D434,160 S * 11/2000 DeBlock D25/125
D435,120 S * 12/2000 Bevan D25/119
D437,546 S * 2/2001 McElroy, Jr. D8/380
D438,778 S * 3/2001 Ribe D8/354
D439,329 S * 3/2001 Grosfillex D25/124
D447,820 S * 9/2001 Grace D25/119
D449,699 S * 10/2001 Gabriele D25/124
D452,016 S * 12/2001 Hall D25/121
6,341,458 B1 * 1/2002 Burt E04F 13/0864
52/287.1
D454,962 S * 3/2002 Grace D25/119
D459,981 S * 7/2002 Betts D25/119
D462,601 S * 9/2002 Chaney D25/119
D468,812 S * 1/2003 Doyle D23/267
6,505,448 B2 * 1/2003 Ito E04F 13/0803
52/302.1
D471,788 S * 3/2003 Gebara D8/354
D472,456 S * 4/2003 Snyder D8/353
D473,662 S * 4/2003 Shaw D25/119
D479,008 S * 8/2003 Krieger D25/121
D480,483 S * 10/2003 Eichner D25/119
D481,293 S * 10/2003 Ayrest D8/331
D481,619 S * 11/2003 Hightower D8/382
D481,804 S * 11/2003 Pelfrey D25/119
D481,932 S * 11/2003 Bess D25/141
D485,916 S * 1/2004 Park D25/119
D486,247 S * 2/2004 Eichner D25/119
D489,210 S * 5/2004 Goldberg D25/119
D489,463 S * 5/2004 Barnett D25/119
D489,465 S * 5/2004 Allsopp D25/119
D490,167 S * 5/2004 Eichner D25/119
D494,284 S * 8/2004 Wenrick D25/119
D497,434 S * 10/2004 Brabeck D25/119
6,829,865 B2 * 12/2004 Smith E06B 1/342
52/204.53
D507,131 S * 7/2005 Pingel D6/699.5
D507,353 S * 7/2005 Rasmussen D25/119
D507,354 S * 7/2005 Parkin D25/119
D507,665 S * 7/2005 Ryan D25/119
D508,176 S * 8/2005 Schulman D6/702
6,959,512 B2 * 11/2005 Cobb E04D 13/0481
219/213
D518,186 S * 3/2006 Zarb D25/119
D523,565 S * 6/2006 Antonie D25/119
D527,114 S * 8/2006 Hamill D25/124
D534,790 S * 1/2007 Garda D8/377
D543,096 S * 5/2007 Heindl D8/382
D548,668 S * 8/2007 Walton D12/317
D549,851 S * 8/2007 Antonic D25/119
D552,259 S * 10/2007 Allsopp D25/119
D554,774 S * 11/2007 Antonic D25/119
D554,775 S * 11/2007 Antonic D25/119
D557,112 S * 12/2007 Franssen D8/349
D557,429 S * 12/2007 Bullock, Jr. D25/119
D573,266 S * 7/2008 Chefren D25/119
D573,267 S * 7/2008 Brinton D25/119
D573,268 S * 7/2008 Lundsgaard D25/119
D574,970 S * 8/2008 Taylor D25/121
D579,584 S * 10/2008 Chaney D25/124
D582,570 S * 12/2008 Hull D25/124
D587,819 S * 3/2009 Ryan D25/119
D588,282 S * 3/2009 Chaney D25/124
D595,069 S * 6/2009 Berry D25/119
D597,742 S * 8/2009 Skinner D25/119
D608,190 S * 1/2010 Jimenez D8/395
D612,919 S * 3/2010 DeHart, Sr. D23/267
D613,832 S * 4/2010 Bradbeer D23/267
D615,848 S * 5/2010 Prichard D8/354
D621,961 S * 8/2010 Gardner D25/119
D623,767 S * 9/2010 Antonic D25/119
D623,768 S * 9/2010 Antonic D25/121
D624,206 S * 9/2010 Antonic D25/119
D625,844 S * 10/2010 Antonic D25/121
D647,635 S * 10/2011 Seehof D25/125
D649,686 S * 11/2011 Trzesniowski D26/138
D649,689 S * 11/2011 Trzesniowski D26/138
D649,690 S * 11/2011 Trzesniowski D26/138
D649,693 S * 11/2011 Trzesniowski D26/138

(56)

References Cited

U.S. PATENT DOCUMENTS

2013/0186009 A1* 7/2013 Hart E06B 1/62
52/58
2017/0138060 A1* 5/2017 Newell E04F 13/007
2019/0116861 A1* 4/2019 Zeilinger A23G 3/56
2019/0277037 A1* 9/2019 Nielsen E04F 13/0805
2020/0032507 A1* 1/2020 Lee E04B 2/74
2021/0153653 A1* 5/2021 Siekmann A47B 96/18

* cited by examiner

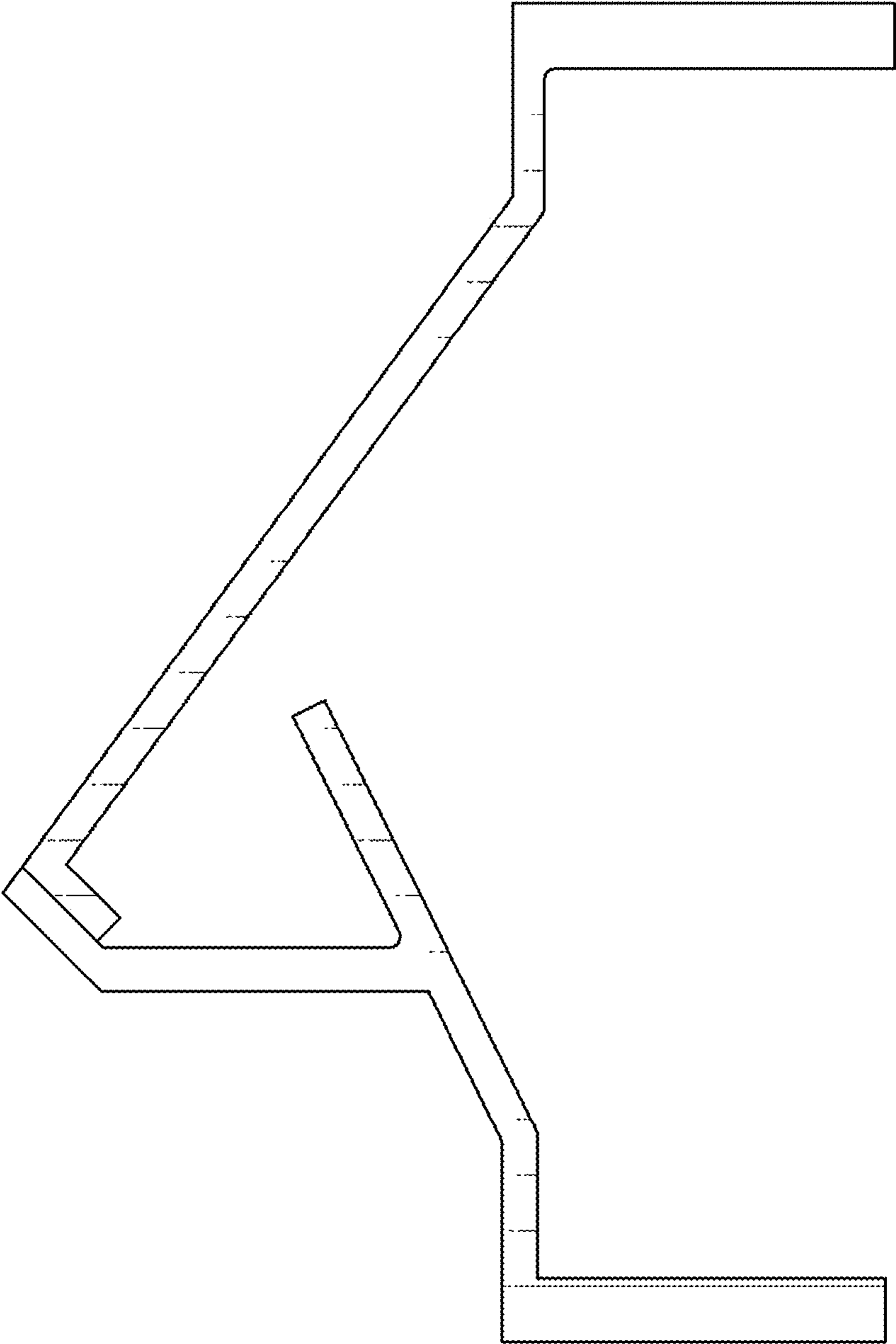


FIG. 1

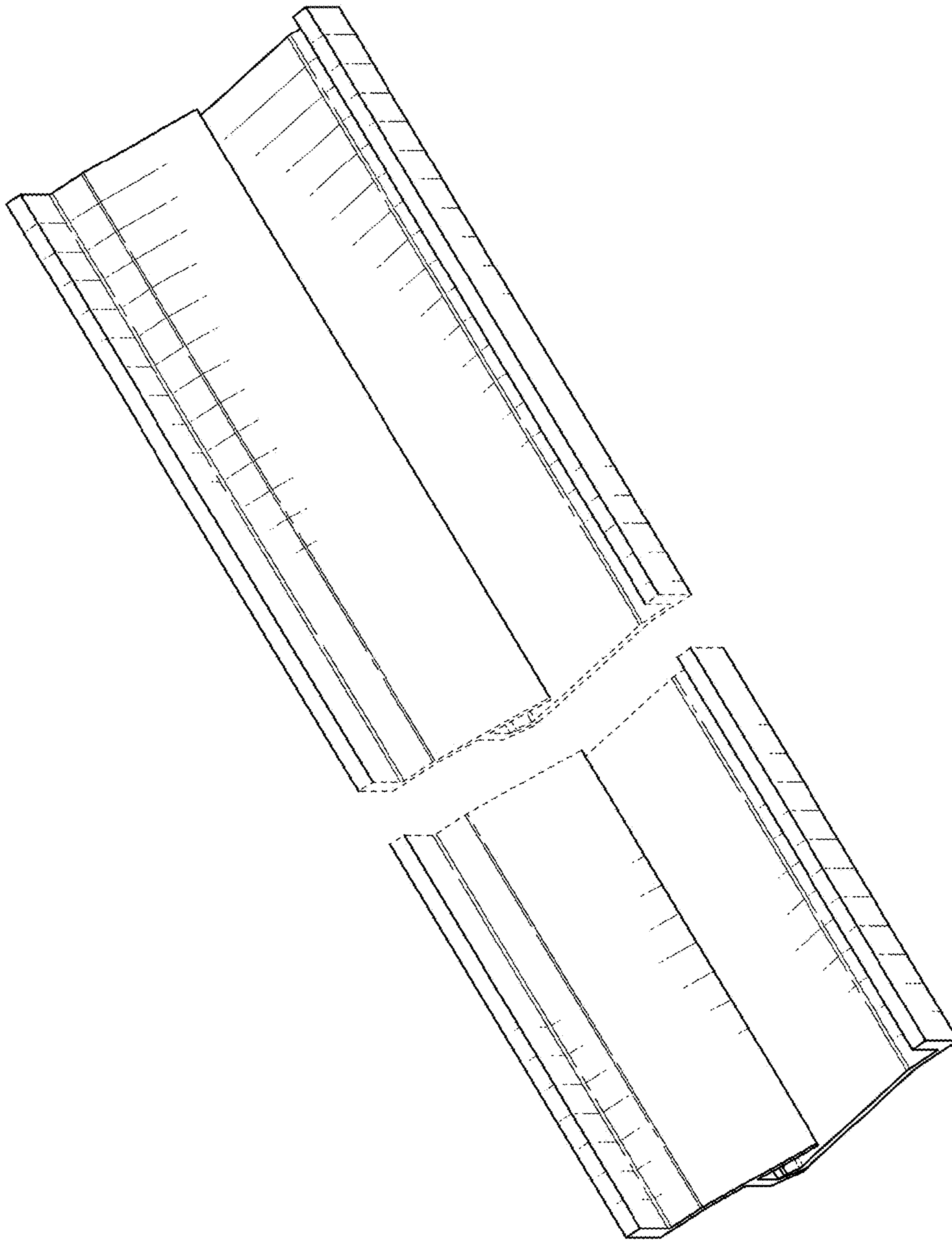


FIG. 2