



US00D966763S

(12) **United States Design Patent**  
**Pelger et al.**

(10) **Patent No.:** **US D966,763 S**

(45) **Date of Patent:** **\*\* Oct. 18, 2022**

- (54) **BAR COUNTERTOP PARTITION**
- (71) Applicants: **Edward Carl Pelger**, Lititz, PA (US);  
**Michael Anthony Owens**, Lancaster,  
PA (US)
- (72) Inventors: **Edward Carl Pelger**, Lititz, PA (US);  
**Michael Anthony Owens**, Lancaster,  
PA (US)
- (\*\*) Term: **15 Years**
- (21) Appl. No.: **29/756,693**
- (22) Filed: **Oct. 30, 2020**
- (51) **LOC (13) Cl.** ..... **06-06**
- (52) **U.S. Cl.**  
USPC ..... **D6/699.4**
- (58) **Field of Classification Search**  
USPC ..... D6/329, 643, 643.1, 699, 4, 699.5, 702,  
D6/705, 705.5, 706, 713, 714  
CPC ..... A47B 2200/12  
See application file for complete search history.

- D479,930 S \* 9/2003 Cook ..... D6/706
- D537,258 S \* 2/2007 Hosoe ..... A47F 5/005  
D6/332
- D931,655 S \* 9/2021 Sears ..... A47B 65/20  
D6/643
- 2021/0340807 A1\* 11/2021 Pelger ..... A47B 97/00
- 2021/0353075 A1\* 11/2021 Ward ..... A47F 9/04
- 2021/0386201 A1\* 12/2021 Wilson ..... A47B 97/00

\* cited by examiner

*Primary Examiner* — Mary Ann Calabrese

(74) *Attorney, Agent, or Firm* — John M. Brandt

- (56) **References Cited**  
U.S. PATENT DOCUMENTS
- 2,884,139 A \* 4/1959 Dunham ..... A47F 5/005  
211/184
- 4,858,774 A \* 8/1989 Winter ..... A47F 5/005  
211/184
- 6,293,414 B1 \* 9/2001 Stuart ..... A47B 65/20  
211/90.04
- D458,781 S \* 6/2002 Cook ..... D6/706

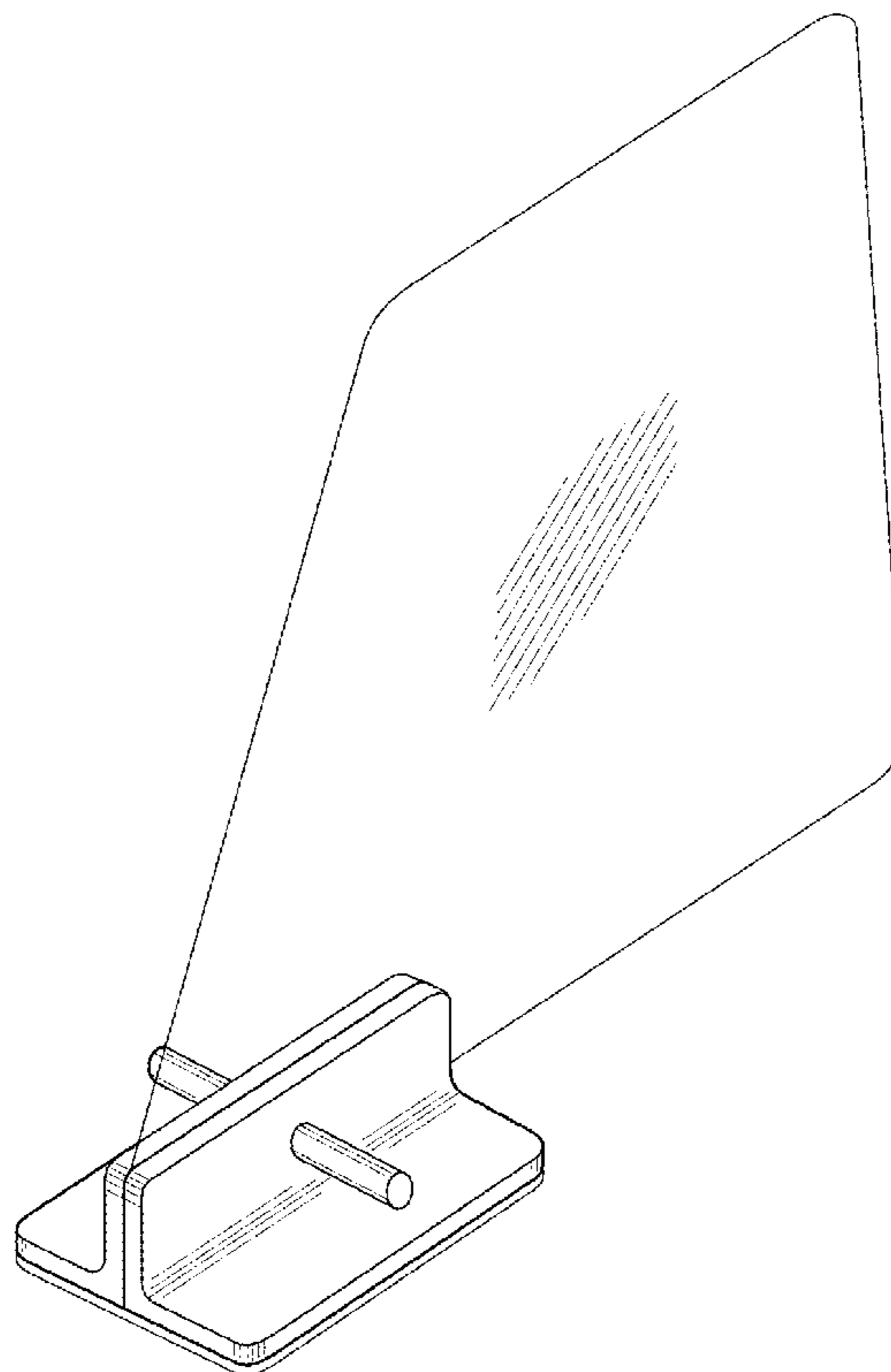
(57) **CLAIM**

The ornamental design for a bar countertop partition, as shown and described.

**DESCRIPTION**

FIG. 1 is a perspective view of our new design;  
 FIG. 2 is an elevational view of the right side of the design of FIG. 1;  
 FIG. 3 is a top view of the design of FIG. 1;  
 FIG. 4 is a bottom view of the design of FIG. 1; and,  
 FIG. 5 is an elevational view of the back side of the design of FIG. 1.  
 The left side elevational view is a mirror image of the right side of the design of FIG. 1; and  
 The front side elevational view is identical to that of the back side of the design of FIG. 1.

**1 Claim, 4 Drawing Sheets**



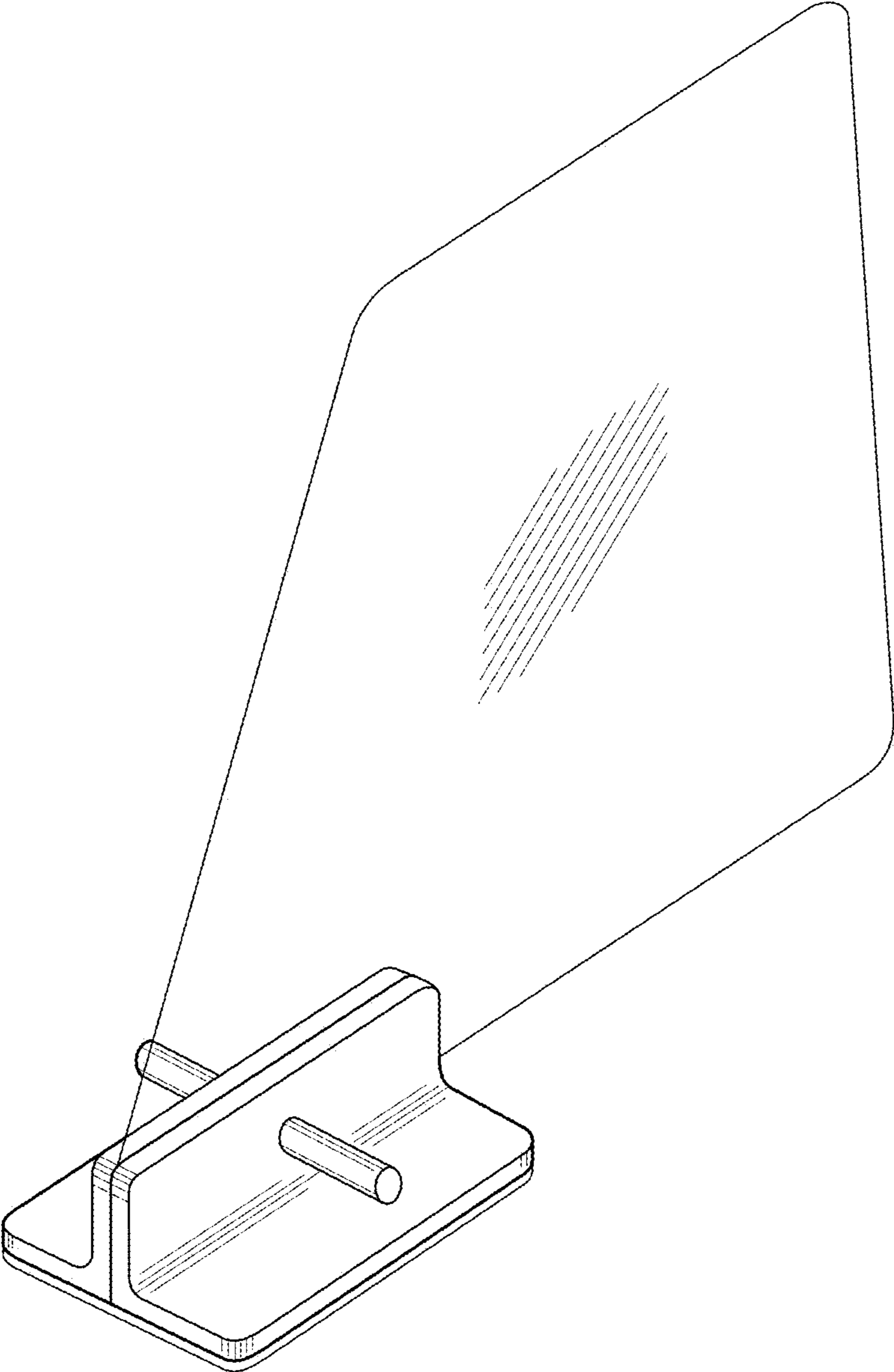


FIG. 1

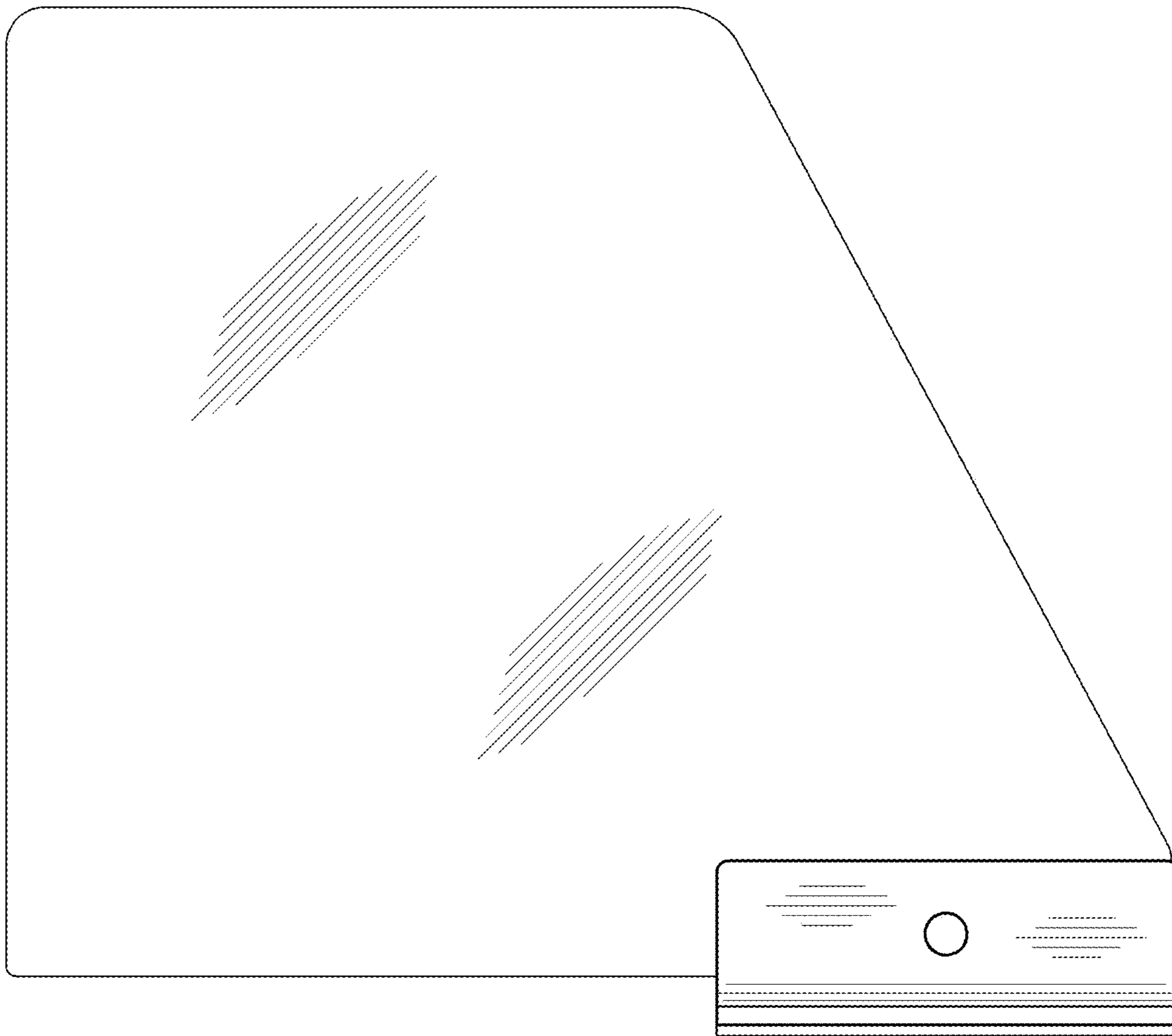


FIG. 2

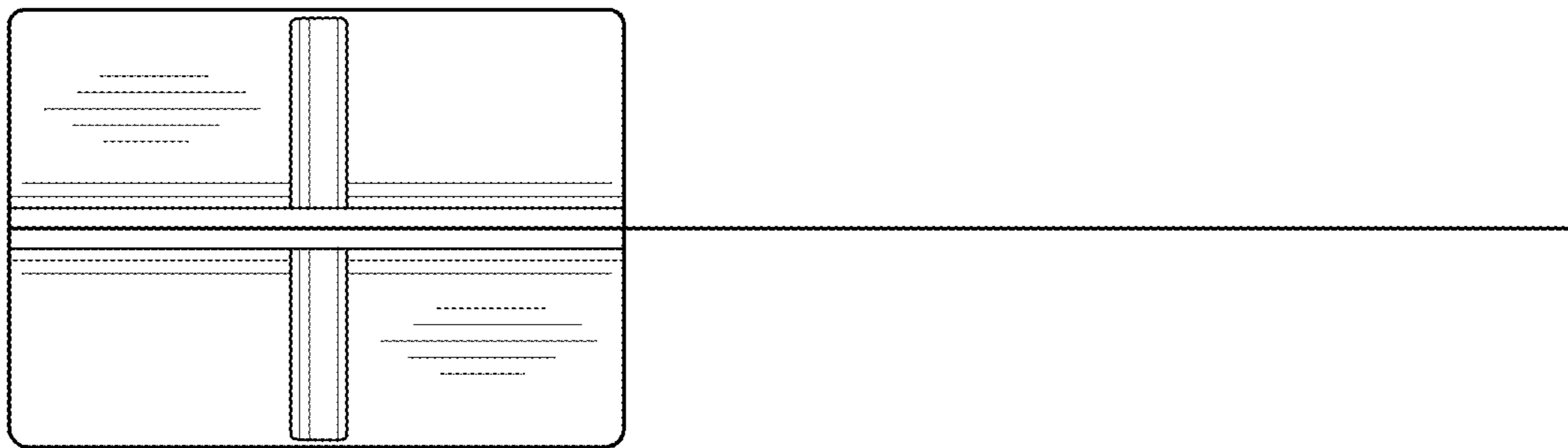


FIG. 3

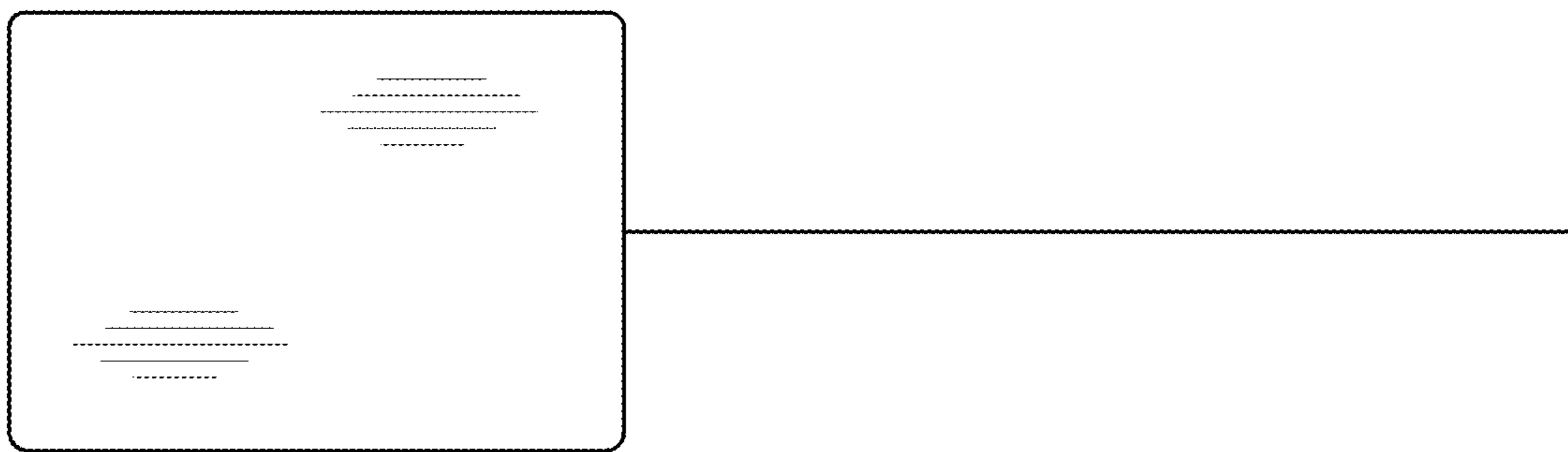


FIG. 4

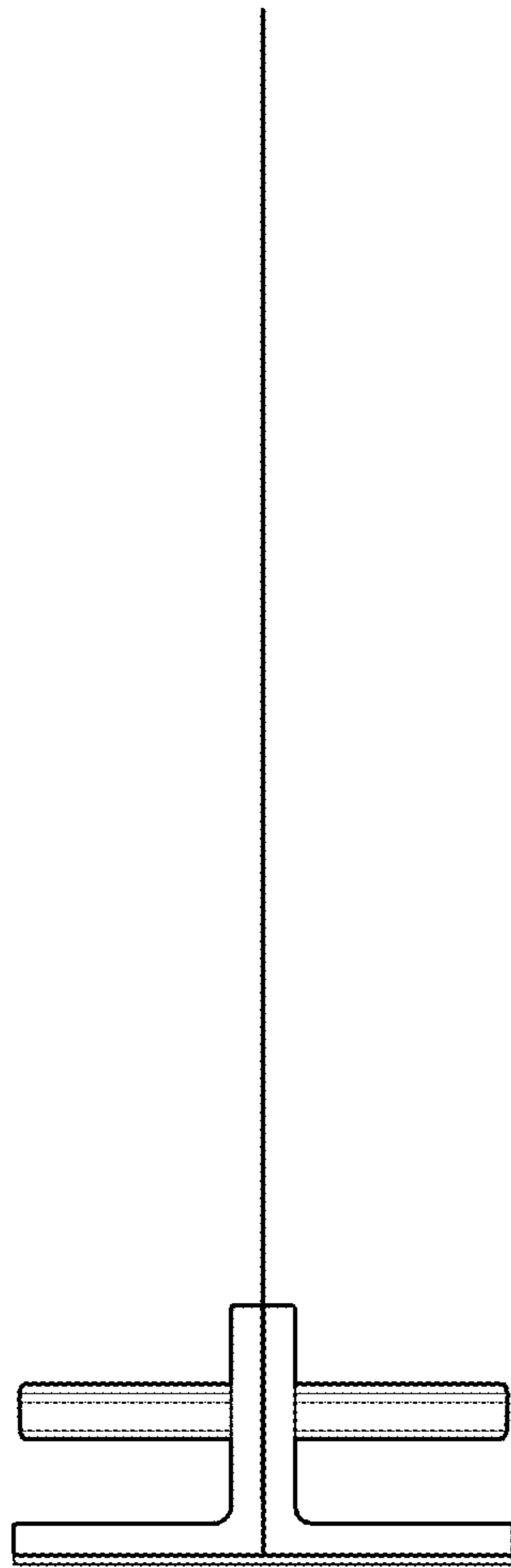


FIG. 5