



US00D966761S

(12) **United States Design Patent** (10) **Patent No.:** **US D966,761 S**
Kong (45) **Date of Patent:** **** Oct. 18, 2022**

(54) **TABLE**

(71) Applicant: **GoPlus Corp.**, Fontana, CA (US)
(72) Inventor: **Xujuan Kong**, Ningbo (CN)
(73) Assignee: **GOPLUS CORP.**, Fontana, CA (US)
(**) Term: **15 Years**

(21) Appl. No.: **29/739,487**
(22) Filed: **Jun. 25, 2020**
(51) **LOC (13) Cl.** **06-03**
(52) **U.S. Cl.**
USPC **D6/691.1**
(58) **Field of Classification Search**
USPC D6/686, 690, 691, 691.3, 656.17, 691.1,
D6/691.5, 691.6, 692.1, 694.4, 695.1,
D6/692.4, 693.1, 695.4, 696.3
CPC .. A47B 3/00; A47B 3/002; A47B 3/08; A47B
3/0812; A47B 3/0818; A47B 3/0912;
A47B 2003/006; A47B 2003/0821; A47B
7/00; A47B 13/00; A47B 13/02; A47B
13/04; A47B 13/06; A47B 13/08; A47B
21/00; A47B 2200/0001; A47B
2200/0011; A47B 2200/002; A47B
2200/0035; A47B 2200/005; A47B 13/10;
A47B 13/12; A47B 17/00; A47B 17/003;
A47B 17/06; A47B

(Continued)

(56) **References Cited**

U.S. PATENT DOCUMENTS

D220,704 S * 5/1971 Kramer D6/691.8
D281,555 S * 12/1985 Levy D6/691.5
(Continued)

FOREIGN PATENT DOCUMENTS

EM 003796887-0001 * 9/2017
GB 6050007 * 12/2018
(Continued)

OTHER PUBLICATIONS

Artemano Delia Rosewood and Metal Dining Table by Artemano, first available: Feb. 24, 2017. Amazon.com [online], [site visited Mar. 8, 2022], Internet URL: <https://www.amazon.com/Artemano-TU1112934-Rosewood-Dining-Natural/dp/B06WW9M92J> (Year: 2017).*

(Continued)

Primary Examiner — Steven J Czyz
Assistant Examiner — Hillary Catherine Shepard
(74) *Attorney, Agent, or Firm* — Troutman Pepper Hamilton Sanders LLP

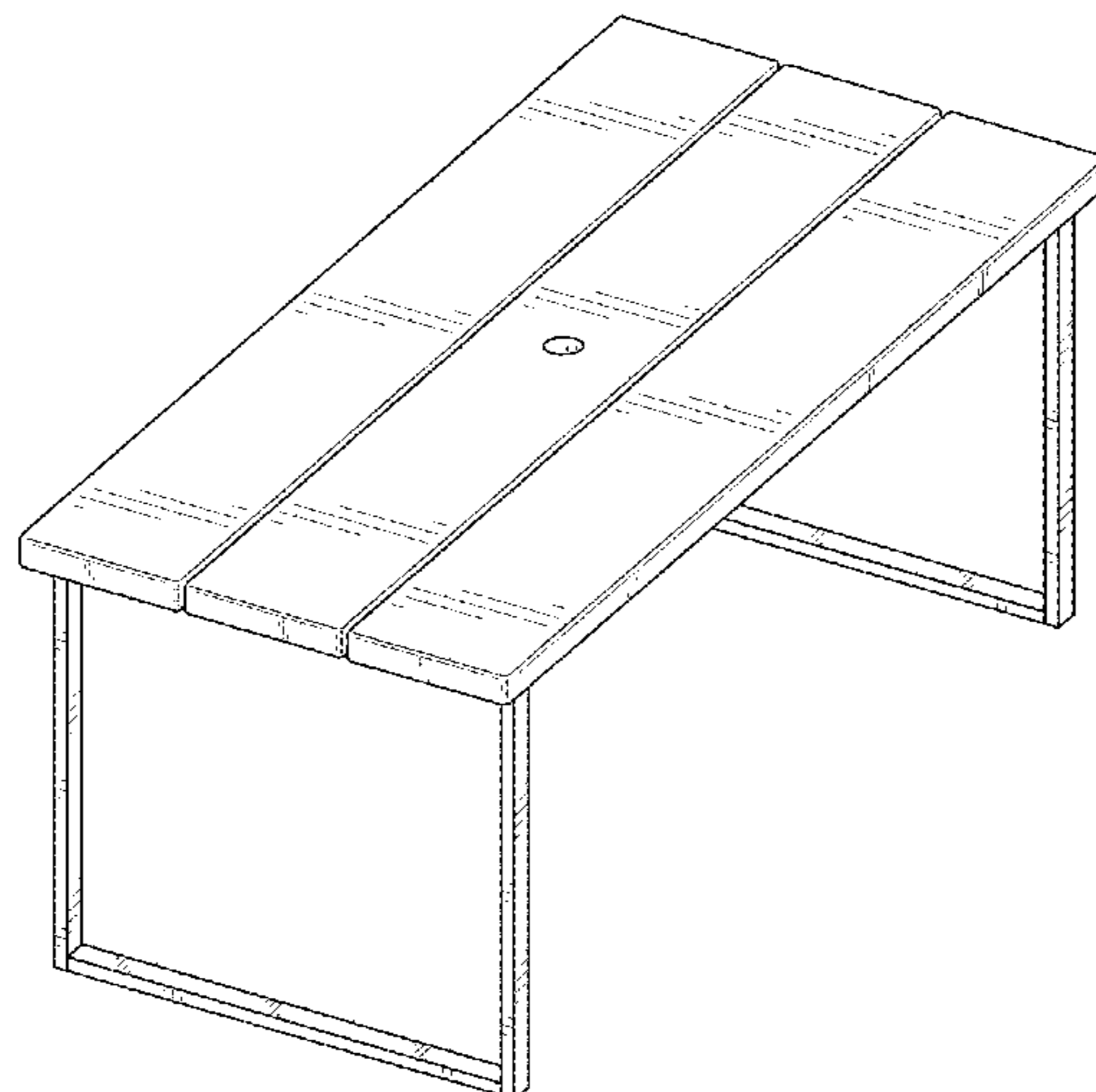
(57) **CLAIM**

I claim the ornamental design for a table, as shown and described.

DESCRIPTION

FIG. 1 is an upper perspective view of a table;
FIG. 2 is a lower perspective view of the design shown in FIG. 1;
FIG. 3 is a front plan view of the design shown in FIG. 1;
FIG. 4 is a rear plan view of the design shown in FIG. 1;
FIG. 5 is a left side plan view of the design shown in FIG. 1;
FIG. 6 is a right side plan view of the design shown in FIG. 1;
FIG. 7 is a top plan view of the design shown in FIG. 1; and,
FIG. 8 is a bottom plan view of the design shown in FIG. 1.
The broken lines shown represent unclaimed subject matter and form no part of the claimed design. The elements on the bottom surface of the article depict hardware that form no part of the claimed design. The shade lines shown represent surface shading and not surface ornamentation, color, or material type.

1 Claim, 8 Drawing Sheets



(58) **Field of Classification Search**

CPC 21/0314; A47B 2021/0307; A47B
 2021/0321; A47B 2021/0335; A47B
 2200/0003; A47B 2200/0004; A47B
 47/0058; A47B 11/00; A47B 3/06; A47B
 7/0091; A47B 7/0025; A47B 7/0058;
 A47B 7/0008

See application file for complete search history.

(56) **References Cited**

U.S. PATENT DOCUMENTS

D510,492 S * 10/2005 Sakurai D6/709
 D558,489 S * 1/2008 Christensen D6/691.8
 D558,490 S * 1/2008 Christensen D6/691.5
 D588,380 S * 3/2009 Bucholz D6/691.5
 D608,568 S * 1/2010 Manz D6/691.5
 D614,889 S * 5/2010 Van Duysen D6/691.5
 D679,924 S * 4/2013 Klein D6/652.1
 D703,465 S * 4/2014 Weatherly D6/656.16
 D716,077 S * 10/2014 Hsu D6/675
 D753,418 S * 4/2016 Hsu D6/675
 D758,113 S * 6/2016 Domingo D6/691
 D783,324 S * 4/2017 Akana D6/691.1
 D785,384 S * 5/2017 Betti D6/691.7
 D785,984 S * 5/2017 Atzmon D6/691
 D797,479 S * 9/2017 Manea D6/691
 D817,669 S * 5/2018 Burden D6/671
 D823,013 S * 7/2018 Burden D6/381
 D833,189 S * 11/2018 Inovero D6/691.1
 D848,773 S * 5/2019 Akana D6/702
 D862,952 S * 10/2019 Davis D6/691
 D869,886 S * 12/2019 Inovero D6/691.1
 D873,056 S * 1/2020 Stafford D6/675

D922,113 S * 6/2021 van Thiel D6/691.1
 D922,115 S * 6/2021 van Thiel D6/691.1
 D923,376 S * 6/2021 Ji D6/691.1
 D926,505 S * 8/2021 Akana D6/691.1
 11,083,283 B1 * 8/2021 Shyu A47B 13/003
 D929,754 S * 9/2021 Kong D6/337
 D933,401 S * 10/2021 Polidoros D6/656.1
 D933,406 S * 10/2021 Xiao D6/691.1
 D946,948 S * 3/2022 Florez D6/691.6
 11,337,515 B2 * 5/2022 Kourieh A47B 13/06
 2013/0193283 A1 * 8/2013 Miller B25H 1/04
 248/127
 2020/0077784 A1 * 3/2020 Polidoros A47B 3/08

FOREIGN PATENT DOCUMENTS

KR 300761515.0000 * 9/2014
 WO WO-D097991-031 * 9/2017

OTHER PUBLICATIONS

Handmade Reclaimed Mango Wood Dining Table by Timbergirl Designer/Compy, first available: Aug. 10, 2016. Overstock.com [online], [site visited Mar. 8, 2022], Internet URL: <https://www.overstock.com/Home-Garden/Handmade-Timbergirl-Reclaimed-Wood-and-Metal-Dining-Table-India/8401748/product.html> (Year: 2016).*

Sartell Iron Dining Table by Loon Peak, first available: Nov. 23, 2021. Wayfair.com [online], [site visited Mar. 8, 2022], Internet URL: <https://www.wayfair.com/furniture/pdp/loon-peak-sartell-solid-wood-dining-table-w004140074.html> (Year: 2021).*

* cited by examiner

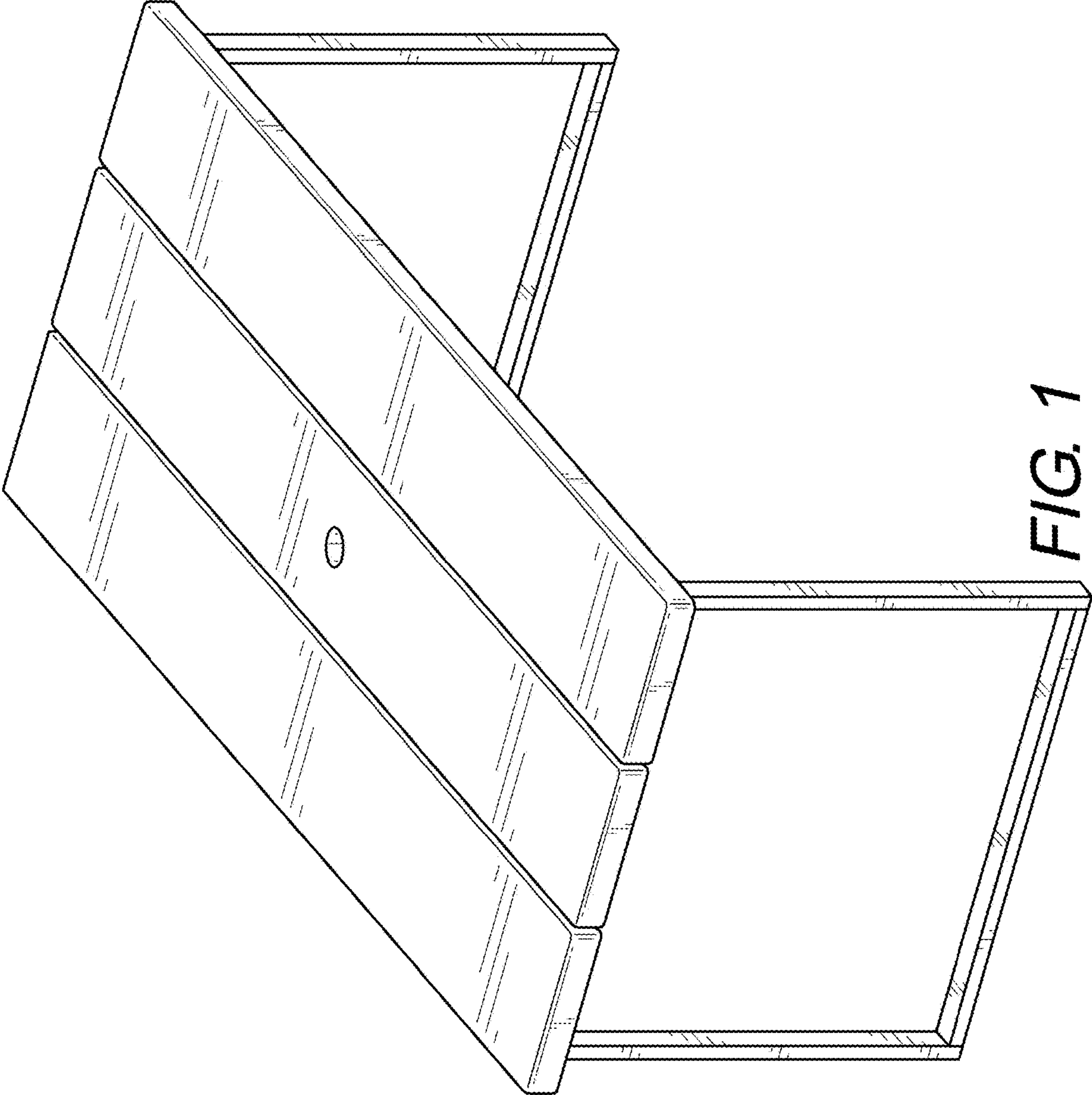


FIG. 1

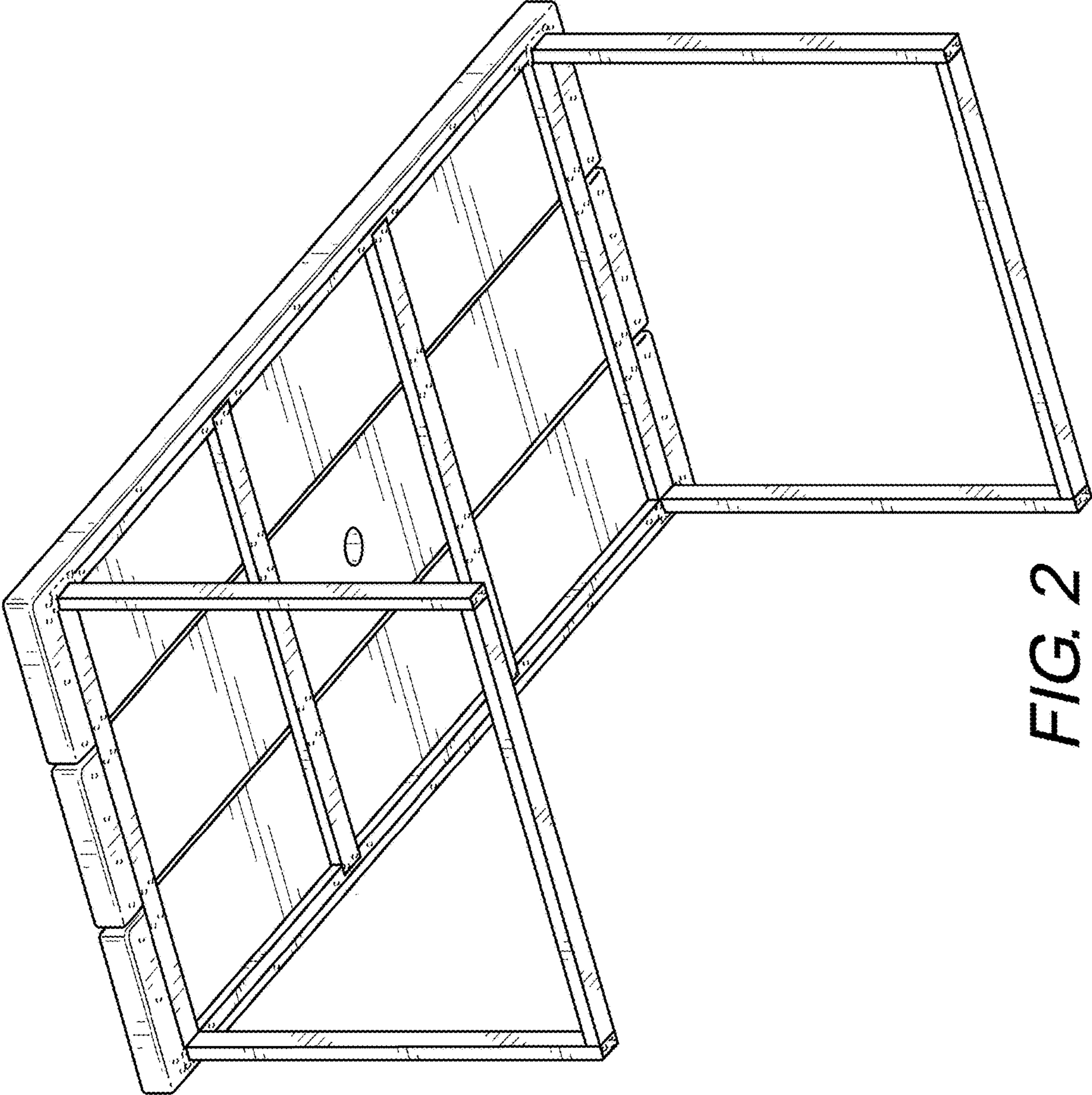


FIG. 2

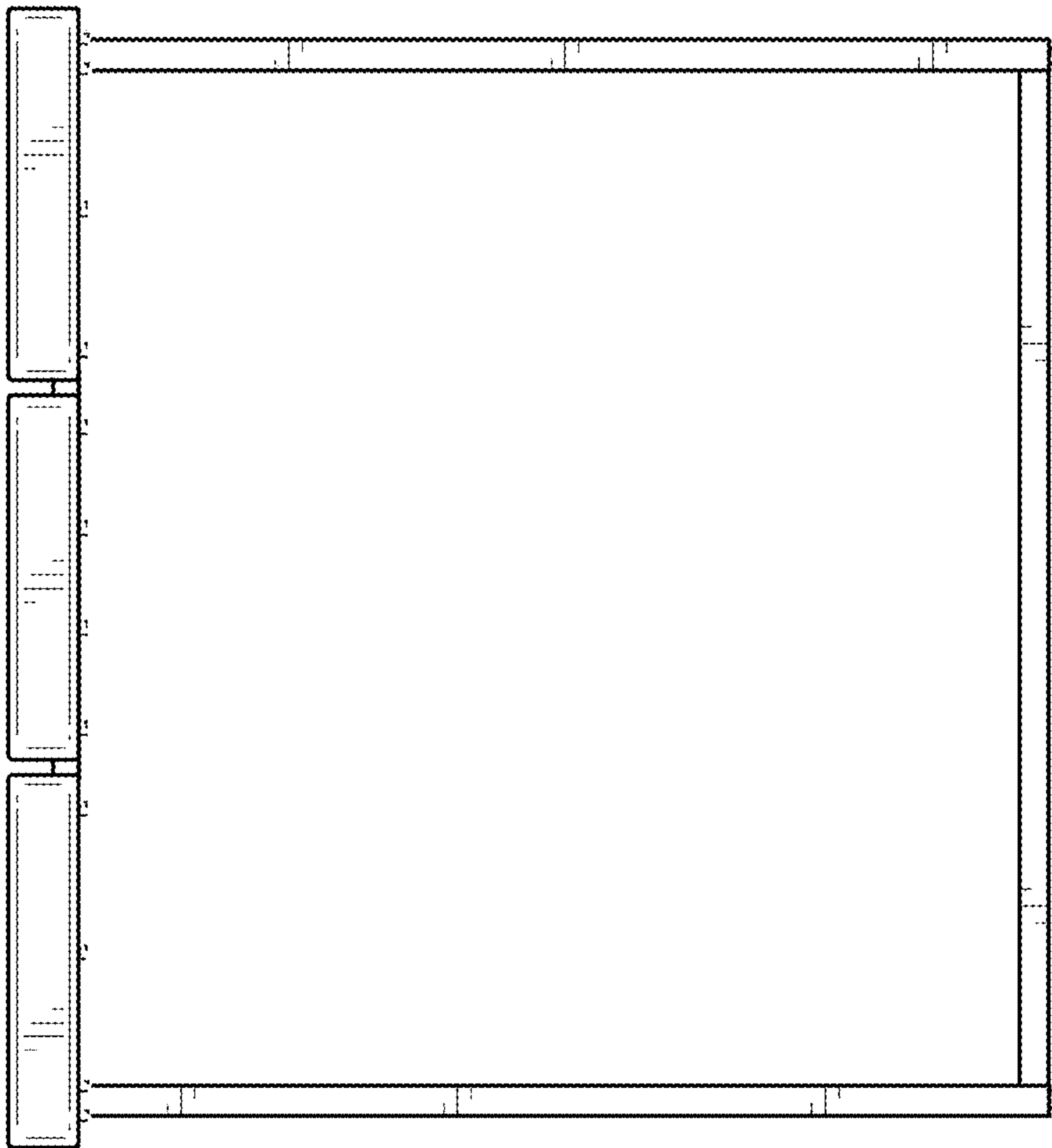


FIG. 3

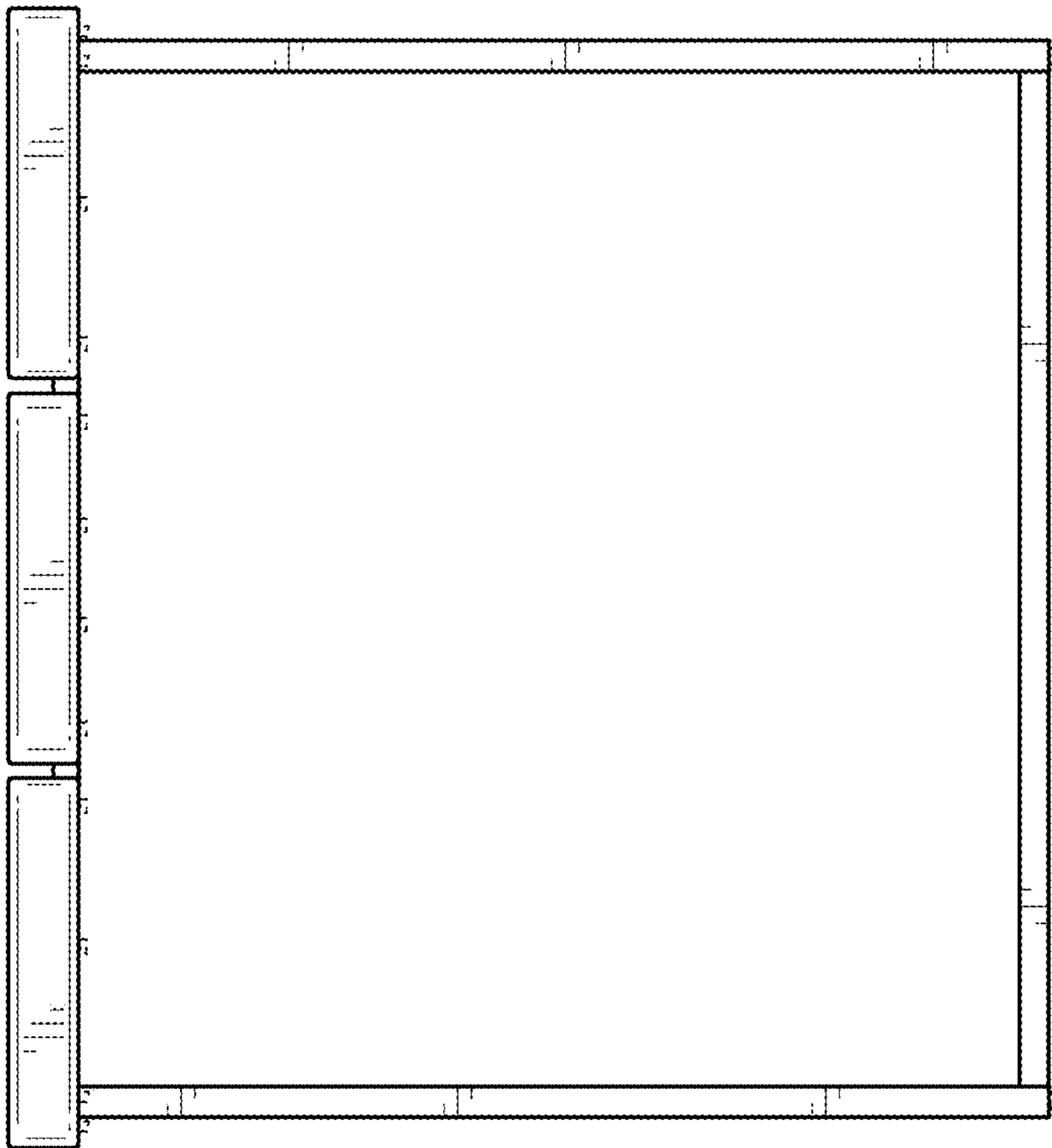


FIG. 4

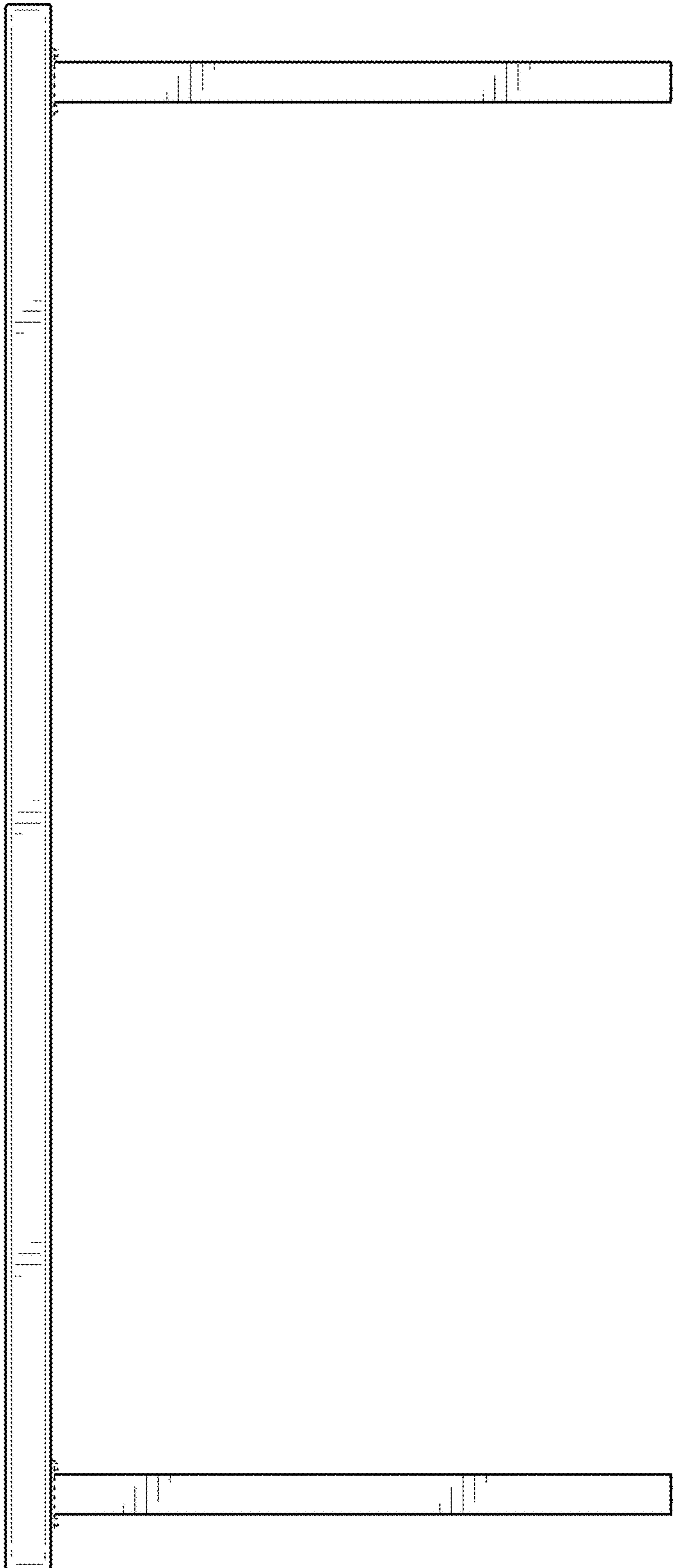


FIG. 5

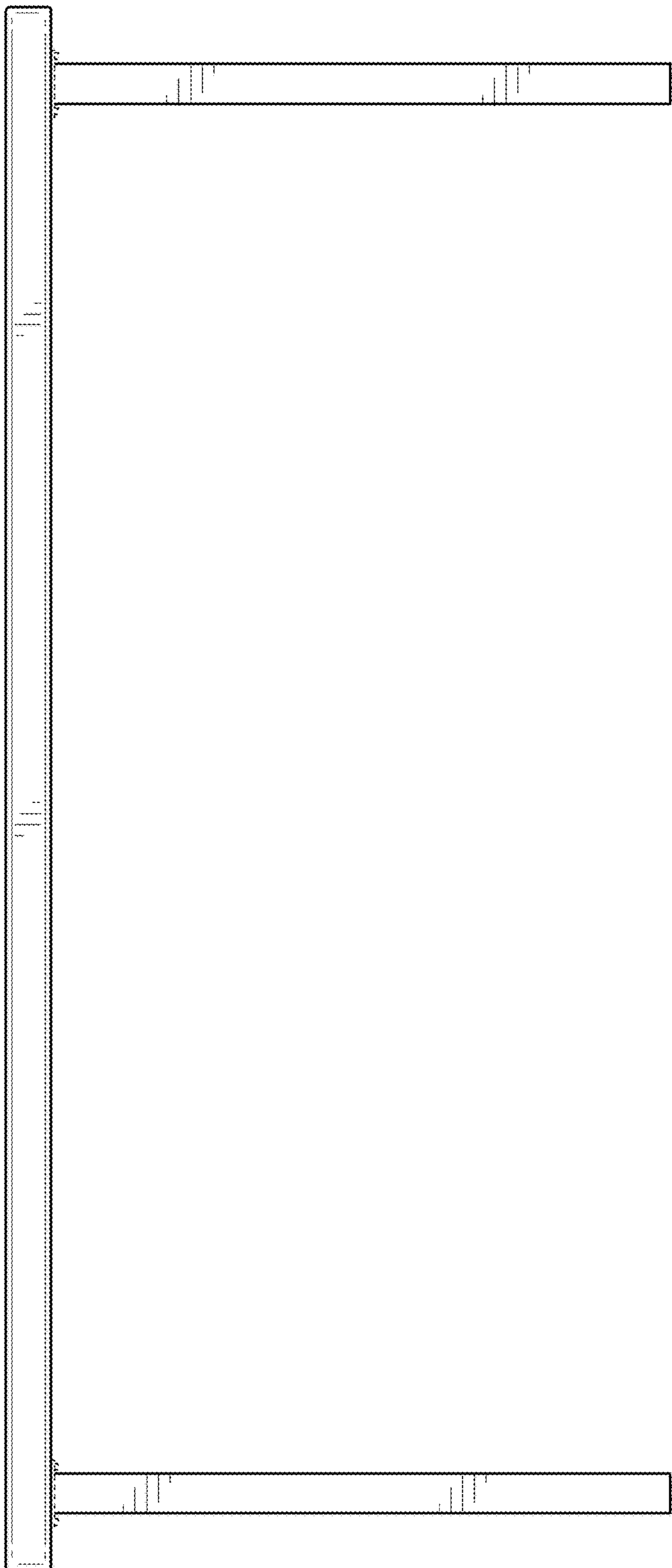


FIG. 6

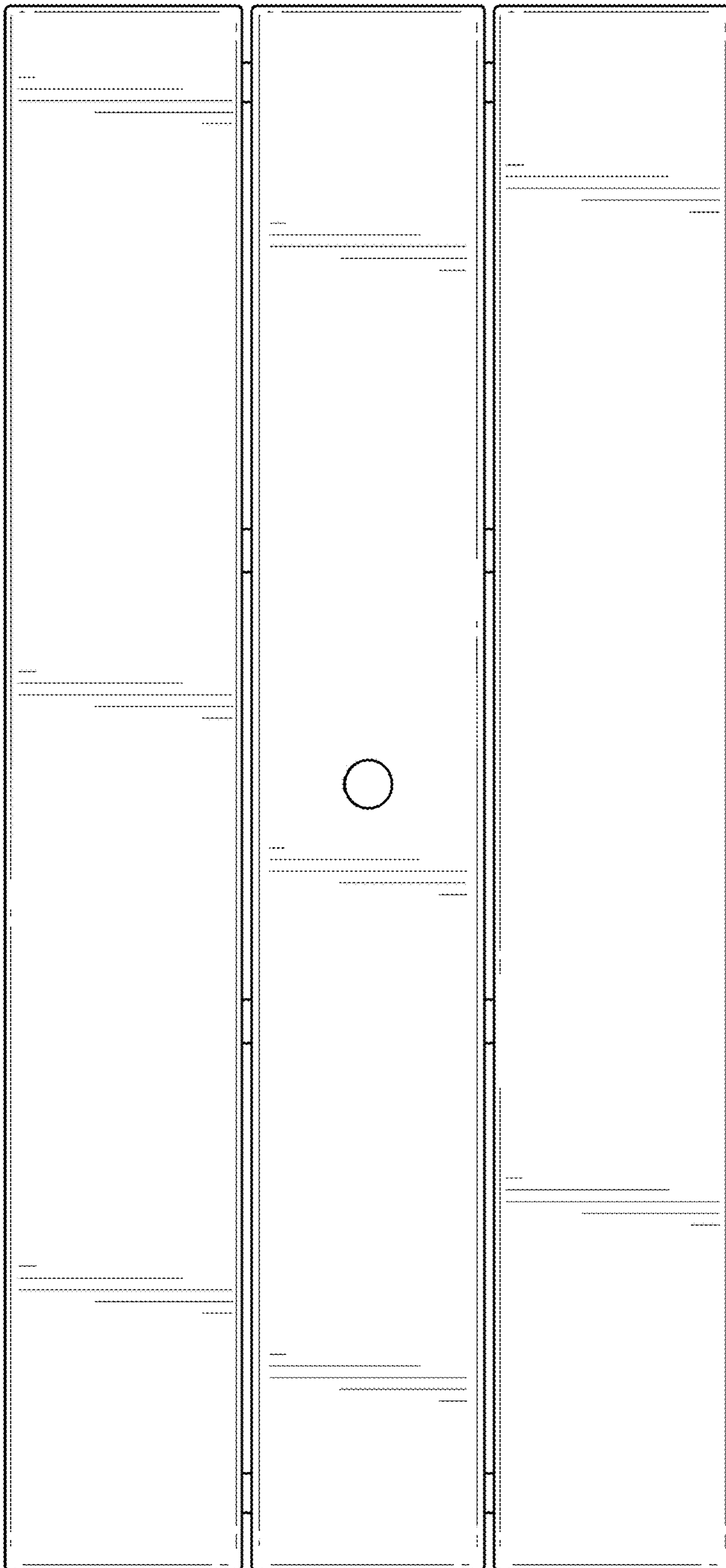


FIG. 7

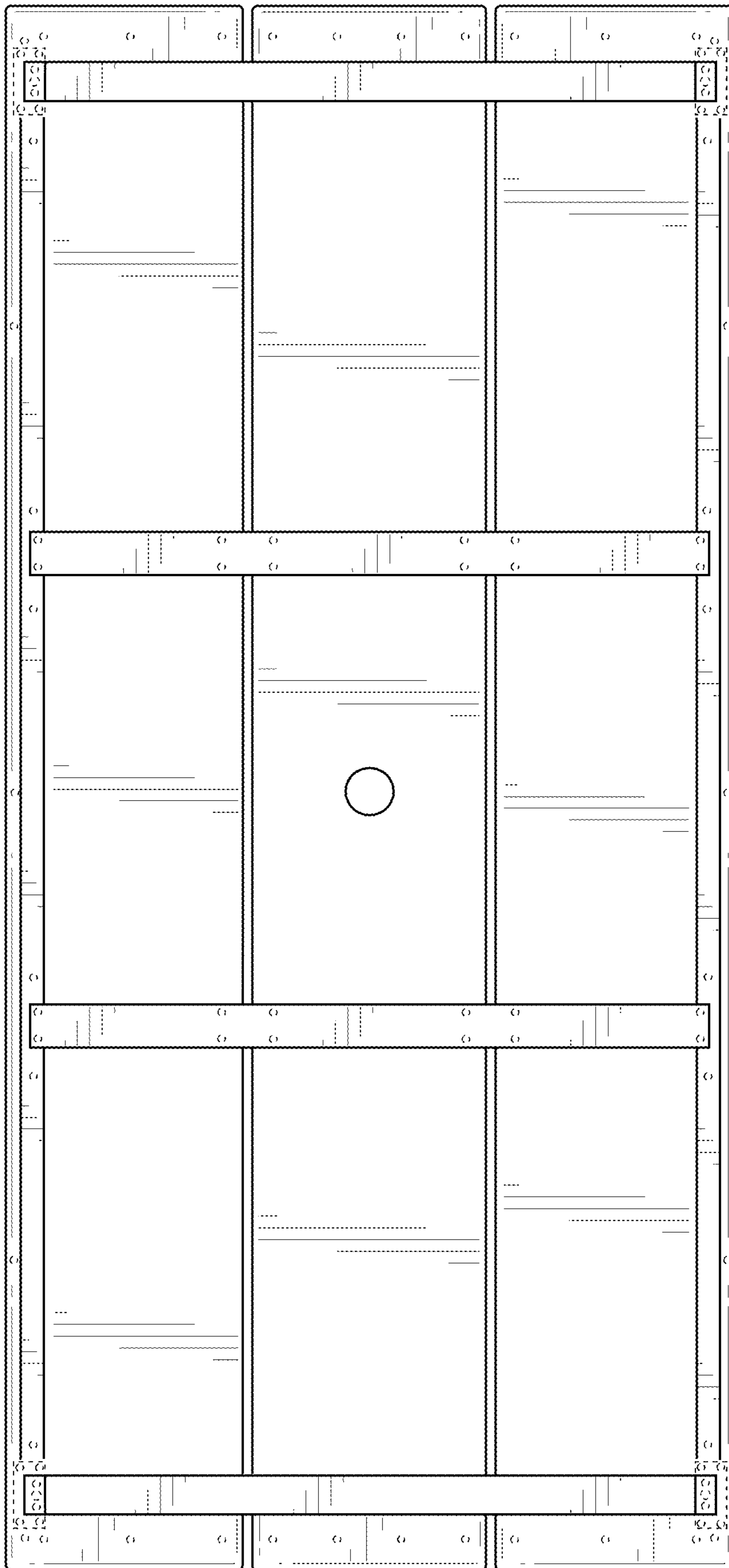


FIG. 8