



US00D966753S

(12) **United States Design Patent** (10) **Patent No.:** **US D966,753 S**
Thomson (45) **Date of Patent:** **** Oct. 18, 2022**

(54) **DRAWER CART WITH SHELF**

Retrieved from URL: <https://www.amazon.com/dp/B08T6HWFQ3>
(Year: 2021).*

(71) Applicant: **GCE International Inc.**, New York, NY (US)

(Continued)

(72) Inventor: **Scott Robert Thomson**, Phillipsport, NY (US)

Primary Examiner — Mary Ann Calabrese

Assistant Examiner — Katelin G Kloberg

(74) *Attorney, Agent, or Firm* — Fox Rothschild LLP

(73) Assignee: **GCE International Inc.**, New York, NY (US)

(57) **CLAIM**

The ornamental design for a drawer cart with shelf, as shown and described.

(**) Term: **15 Years**

(21) Appl. No.: **29/712,213**

DESCRIPTION

(22) Filed: **Nov. 6, 2019**

(51) **LOC (13) Cl.** **06-04**

(52) **U.S. Cl.**
USPC **D6/657; D34/21**

(58) **Field of Classification Search**
USPC D6/329, 641, 642, 650, 653, 653.1, D6/653.11, 657, 662, 663, 667, 668.2, D6/671, 671.1, 675.1, 698; D34/17, 21
CPC A47B 96/00; A47B 88/00; A47B 2210/00; A61G 12/00
See application file for complete search history.

FIG. 1 is a front perspective view of a first embodiment of a drawer cart with shelf, showing my new design.
FIG. 2 is a left side perspective view of the drawer cart with shelf of FIG. 1;
FIG. 3 is a rear perspective view of the drawer cart with shelf of FIG. 1.
FIG. 4 is a right side perspective view of the drawer cart with shelf of FIG. 1.
FIG. 5 is a top perspective view of the drawer cart with shelf of FIG. 1.
FIG. 6 is a bottom perspective view of the drawer cart with shelf of FIG. 1.
FIG. 7 is a front perspective view of a second embodiment of a drawer cart with shelf, showing my new design.
FIG. 8 is a left side perspective view of the drawer cart with shelf of FIG. 7.
FIG. 9 is a rear perspective view of the drawer cart with shelf of FIG. 7.
FIG. 10 is a right side perspective view of the drawer cart with shelf of FIG. 7.
FIG. 11 is a top perspective view of the drawer cart with shelf of FIG. 7; and,
FIG. 12 is a bottom perspective view of the drawer cart with shelf of FIG. 7.
The broken lines in the figures depict portions of the article that form no part of the claimed design.

(56) **References Cited**

U.S. PATENT DOCUMENTS

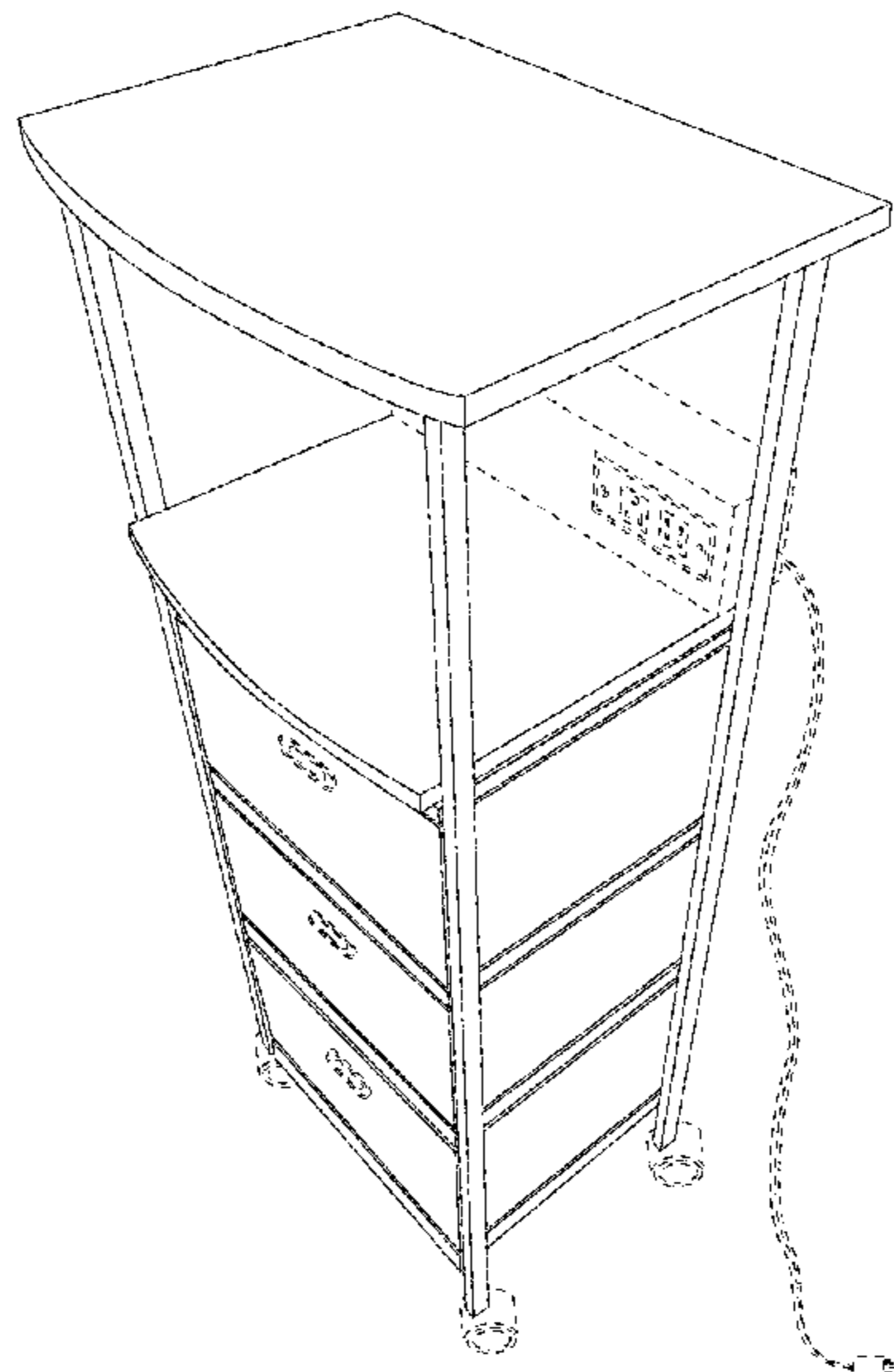
D319,716 S *	9/1991	Addison	D34/21
D377,721 S *	2/1997	Pohlman	D6/657
D407,233 S *	3/1999	Naas	D6/657
D425,728 S *	5/2000	Chun	D6/661
D444,002 S *	6/2001	Hutton	D6/657
D508,348 S *	8/2005	Moon	D6/671.1
D523,607 S *	6/2006	Huguet	D34/21

(Continued)

OTHER PUBLICATIONS

“DEVAISE 2 Drawer Lateral File Cabinet.” Found online May 31, 2022 at www.amazon.com. Product first available Jan. 15, 2021.

1 Claim, 12 Drawing Sheets



(56)

References Cited

U.S. PATENT DOCUMENTS

D685,562 S * 7/2013 Marsden D34/21
D697,285 S * 1/2014 Greenspon D34/21
D906,022 S * 12/2020 Yang D6/671.1
D923,976 S * 7/2021 Li D6/657
D938,196 S * 12/2021 Löwenhielm D6/657

OTHER PUBLICATIONS

“DEVAISE Mobile Filing Cabinet.” Found online May 31, 2022 at www.amazon.com. Product first available Nov. 2, 2021. Retrieved from URL: <https://www.amazon.com/DEVAISE-Cabinet-Rolling-Printer-Vertical/dp/B09KT9RG1M?th=1> (Year: 2021).*

“Alloswell Rolling File Cabinet.” Found online May 31, 2022 at www.amazon.com. Product reviewed Apr. 13, 2022. Retrieved from URL: <https://www.amazon.com/dp/B09K7FHHW7> (Year: 2022).*

“Tribedesigns 3 Drawer File Cabinet.” Found online May 31, 2022 at www.amazon.com. Product first available Apr. 30, 2021. Retrieved from URL: <https://www.amazon.com/dp/B093WD6FYF> (Year: 2021).*

* cited by examiner

FIG.1

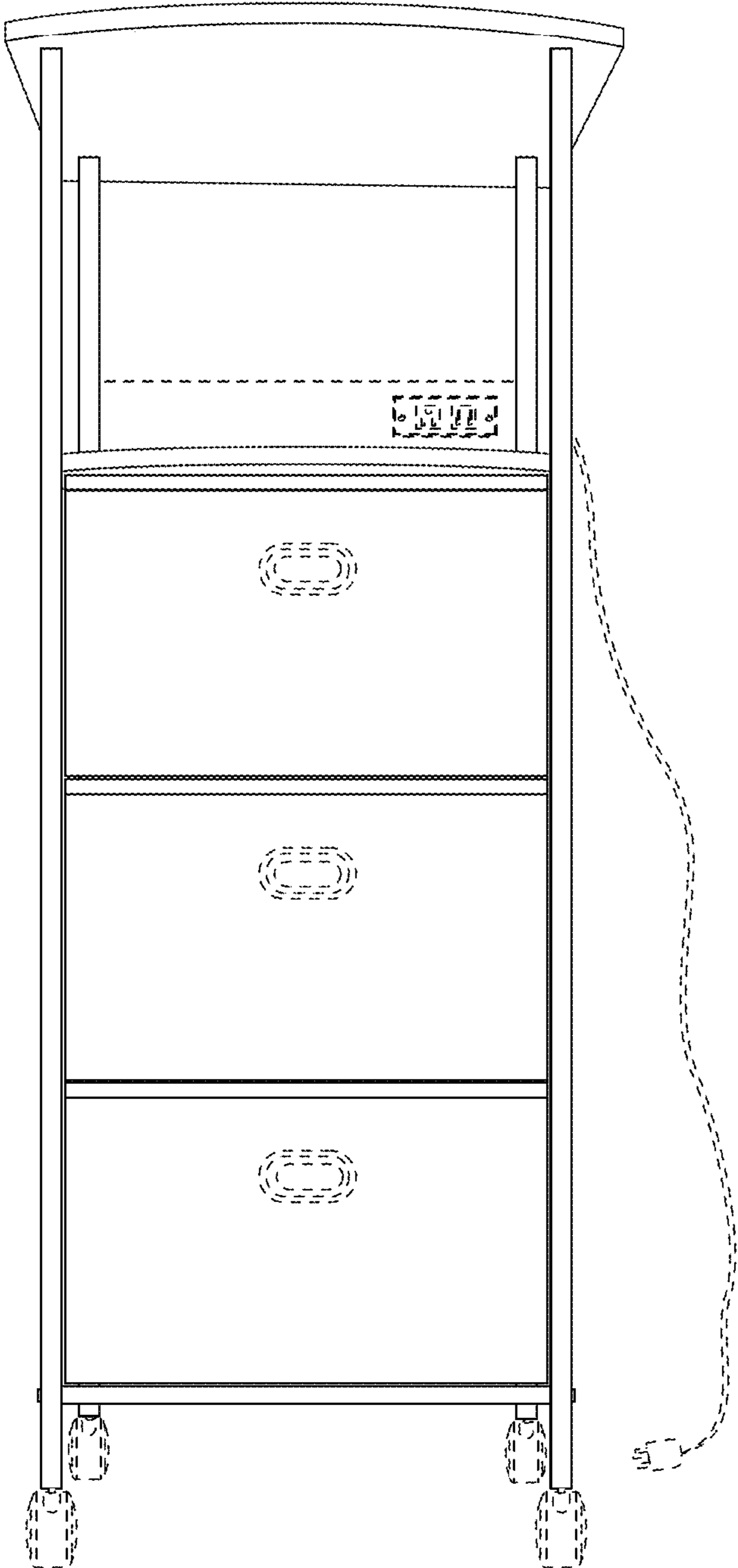


FIG.2

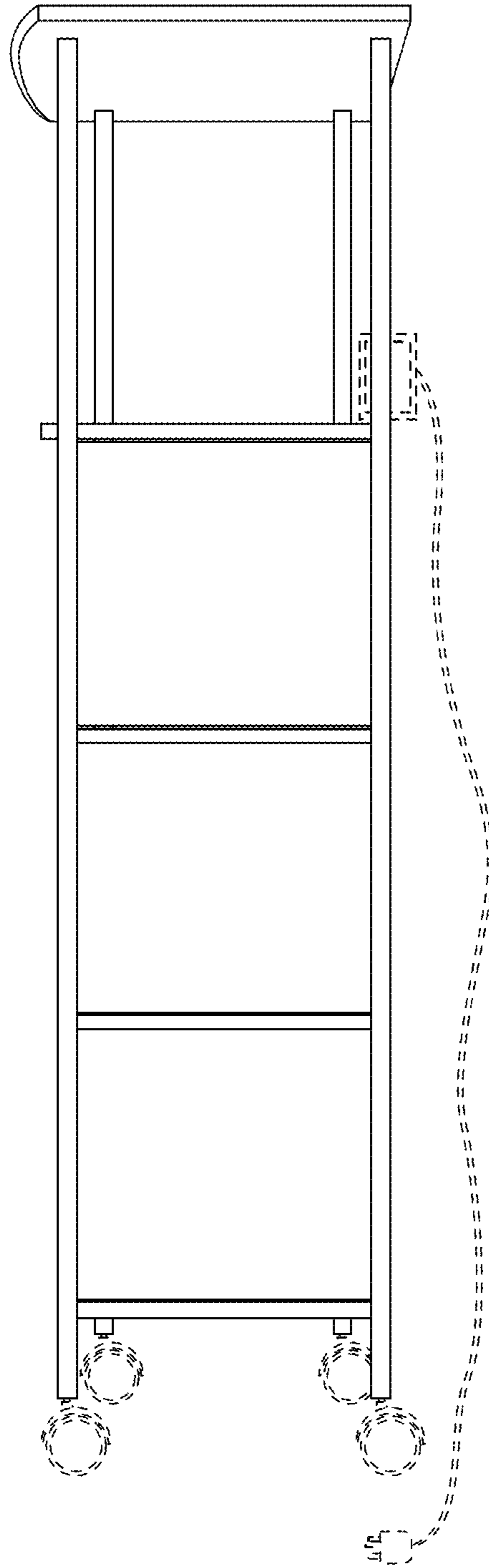


FIG.3

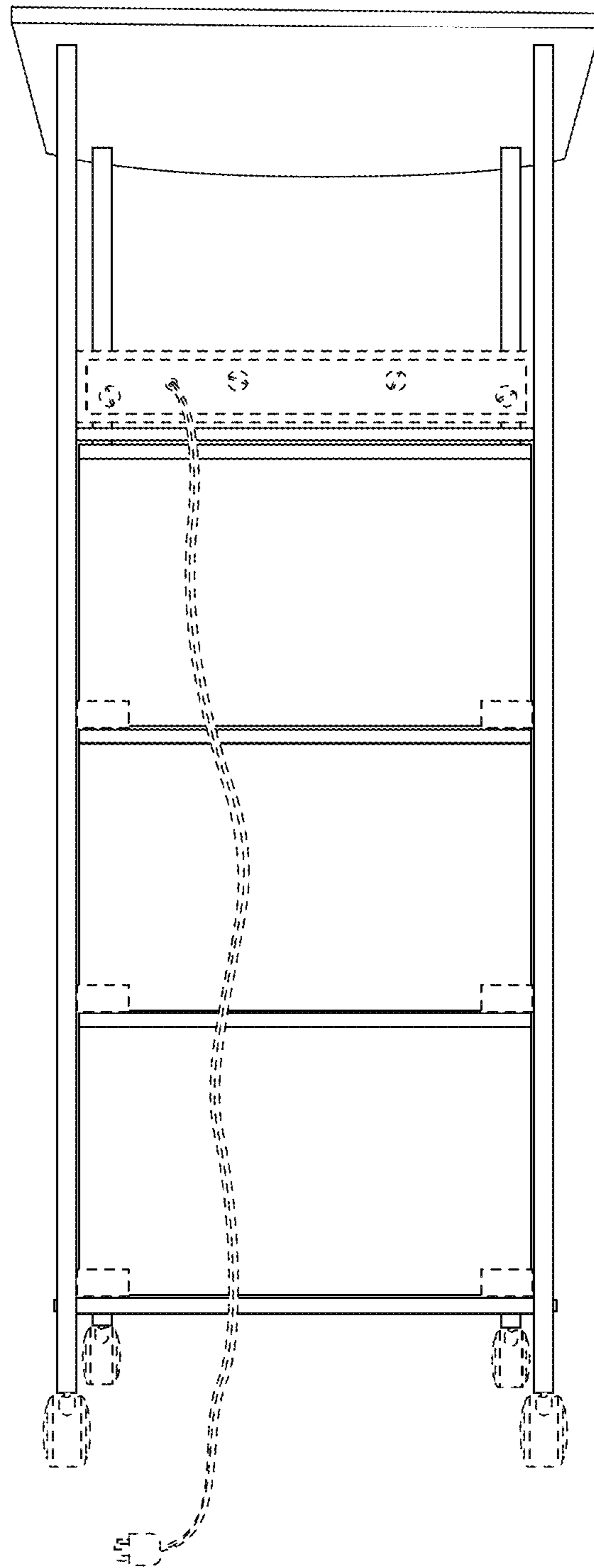


FIG.4

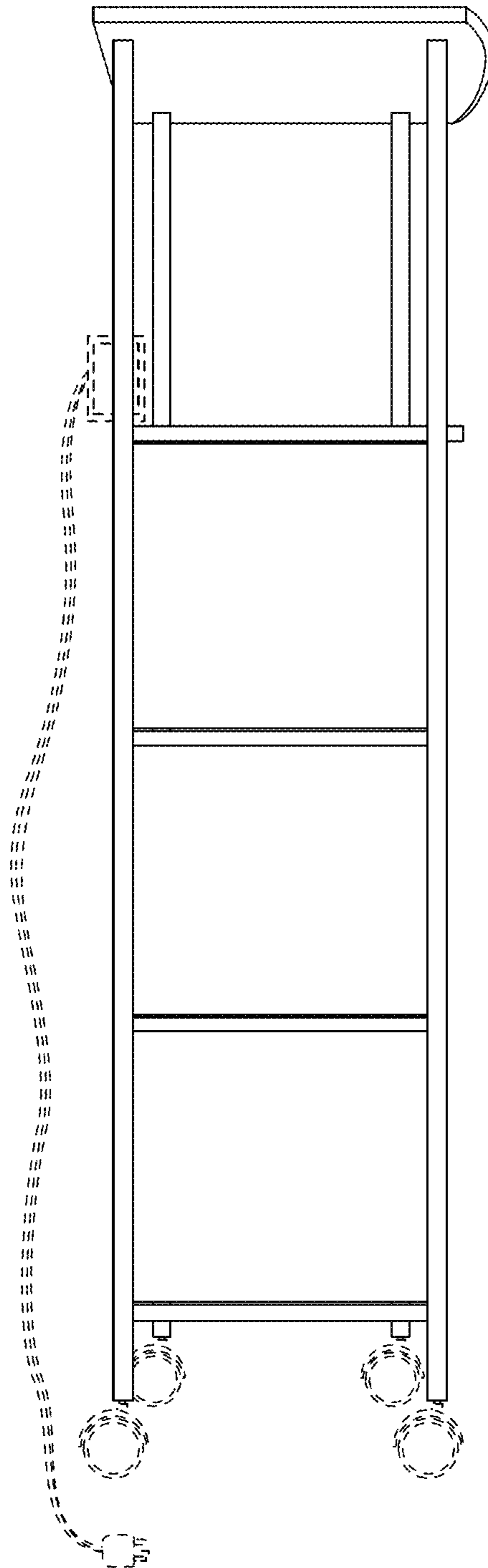


FIG.5

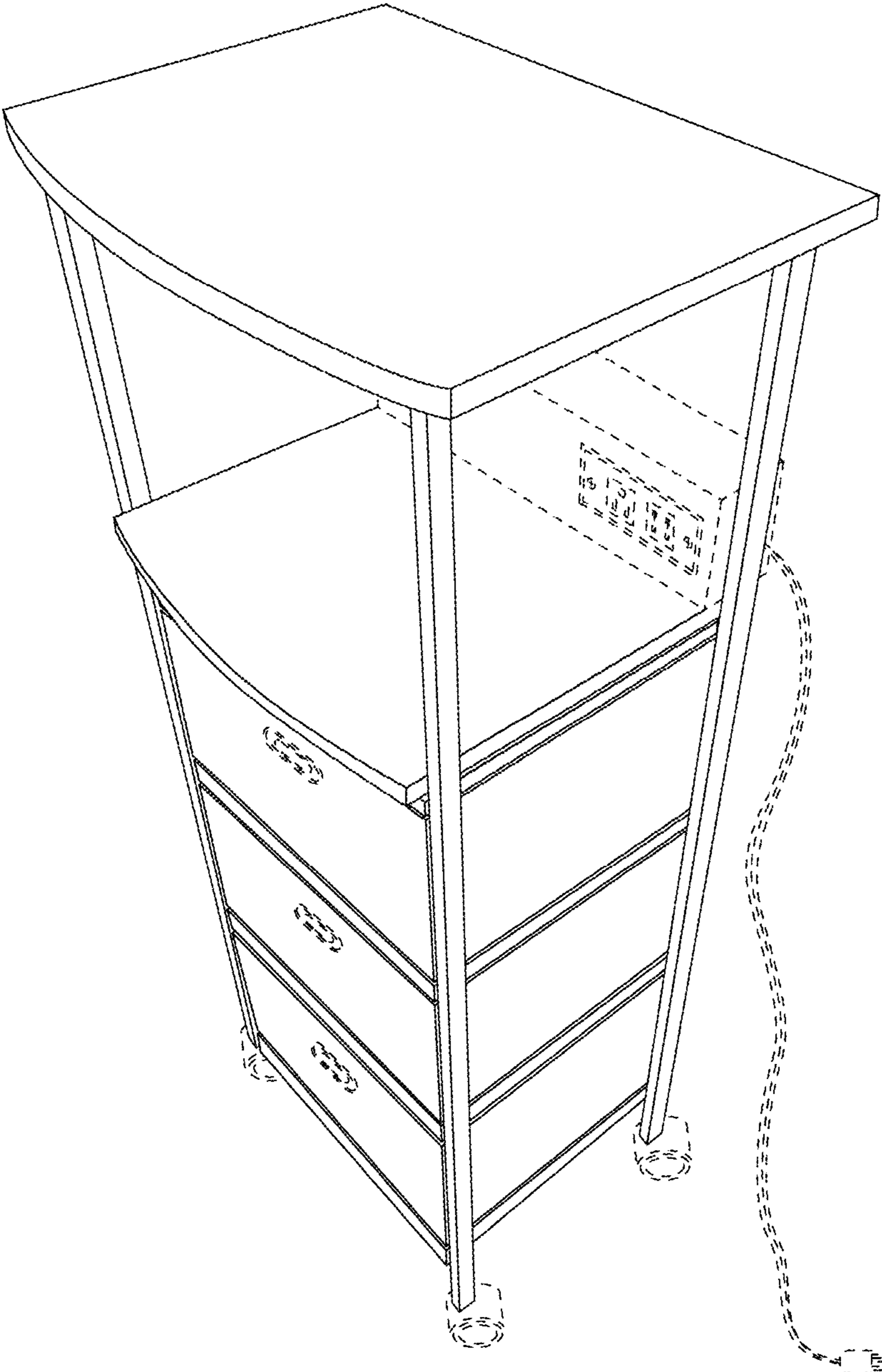


FIG.6

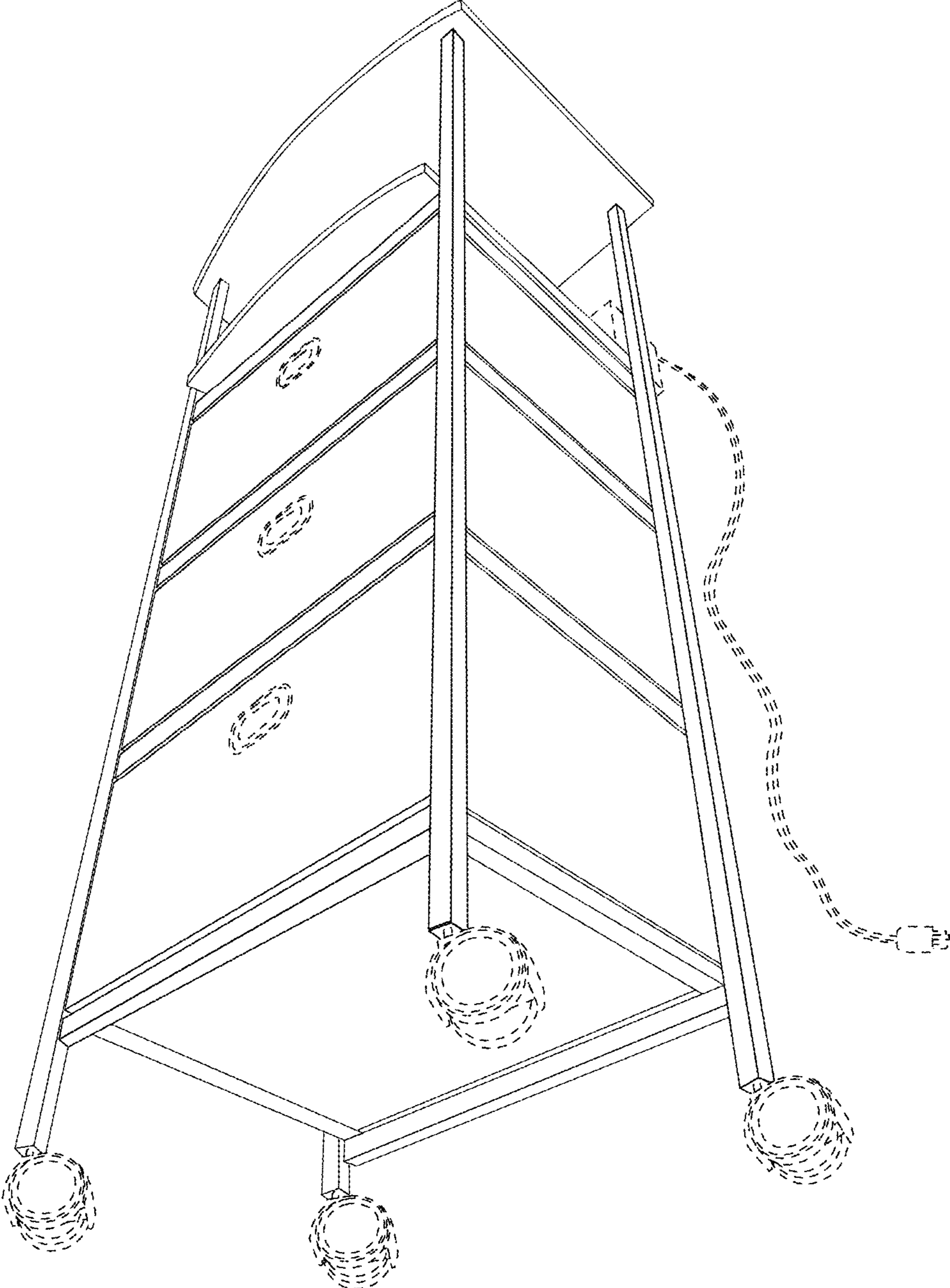


FIG.7

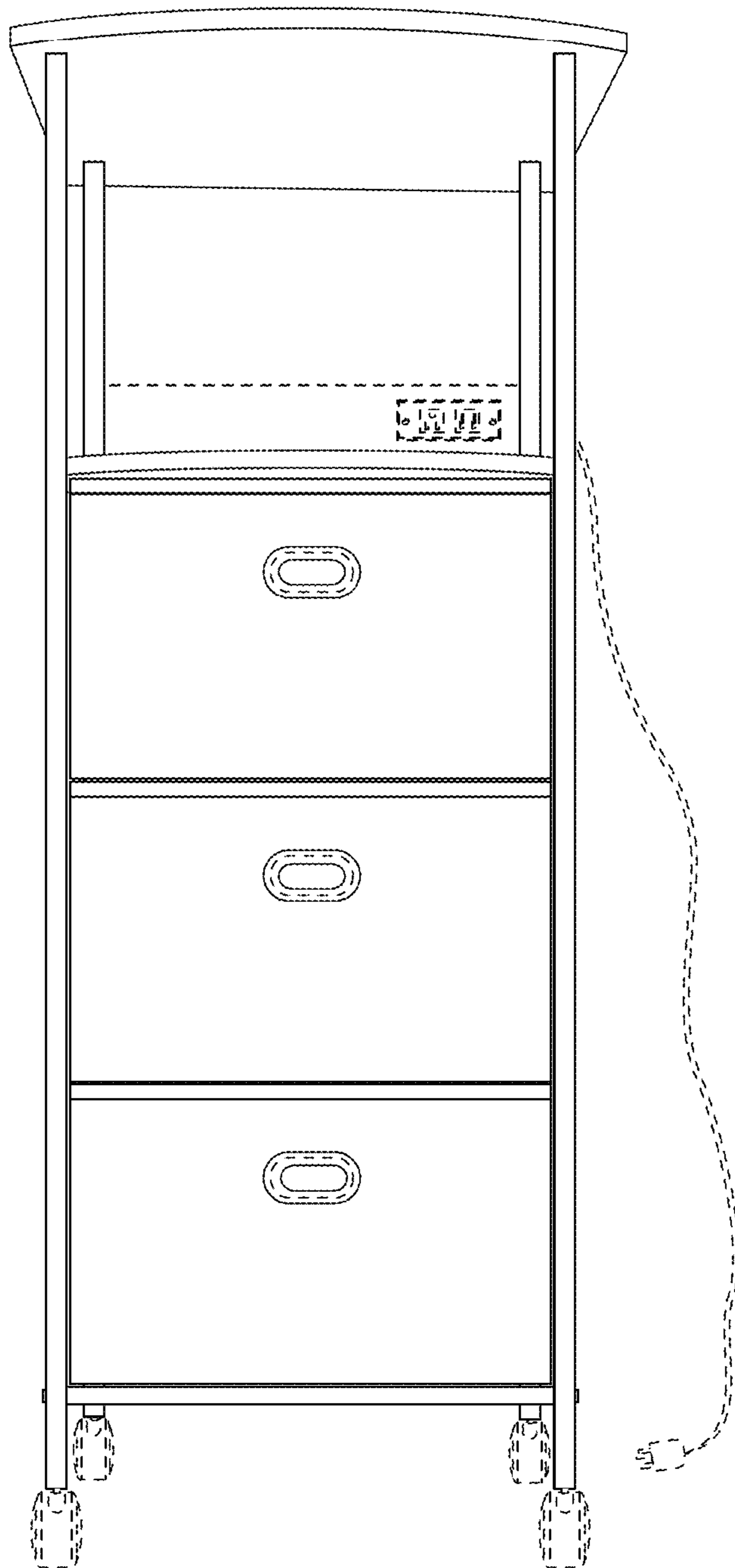


FIG.8

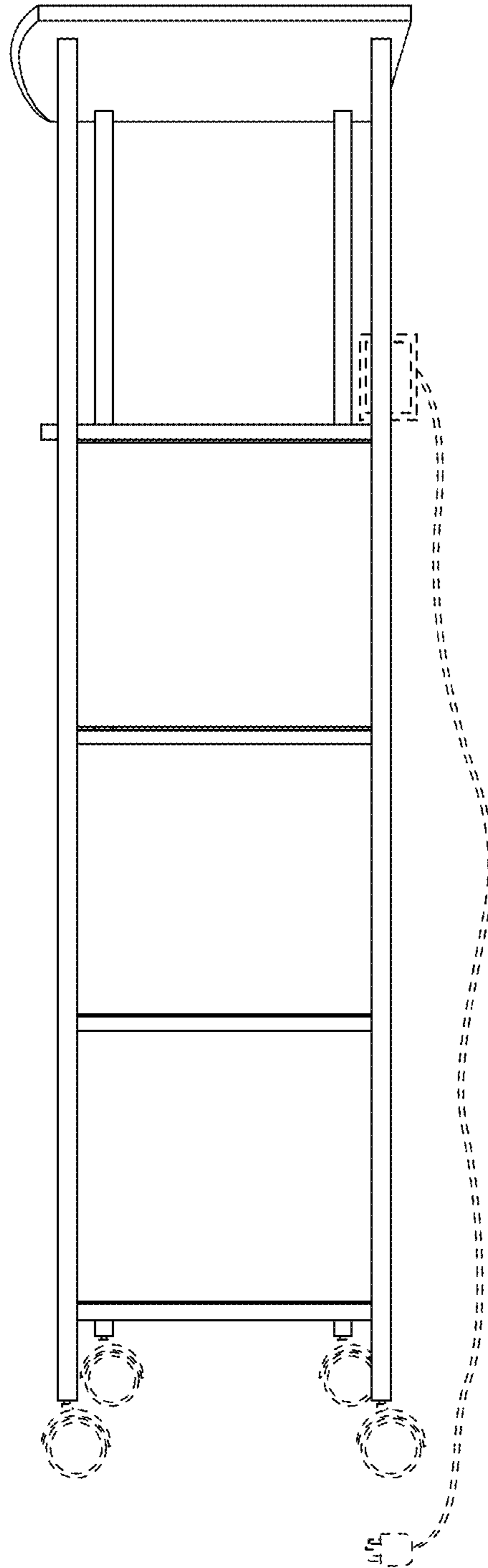


FIG.9

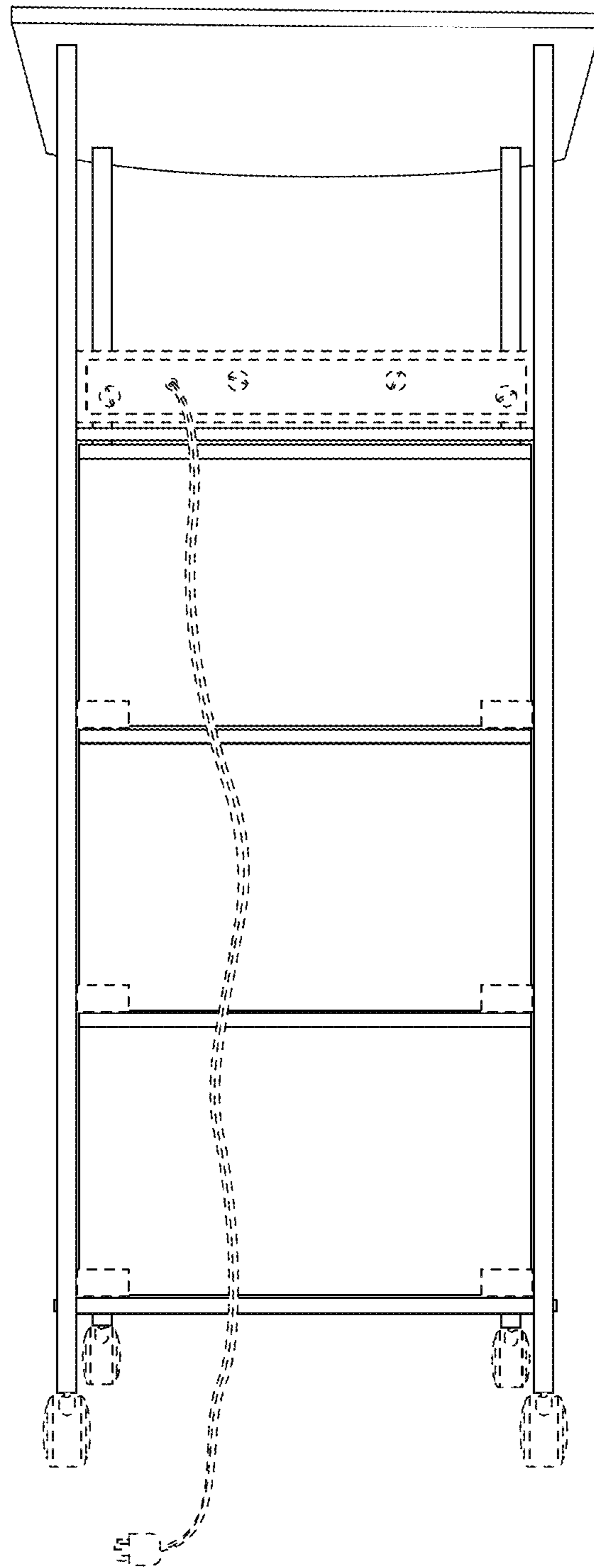


FIG.10

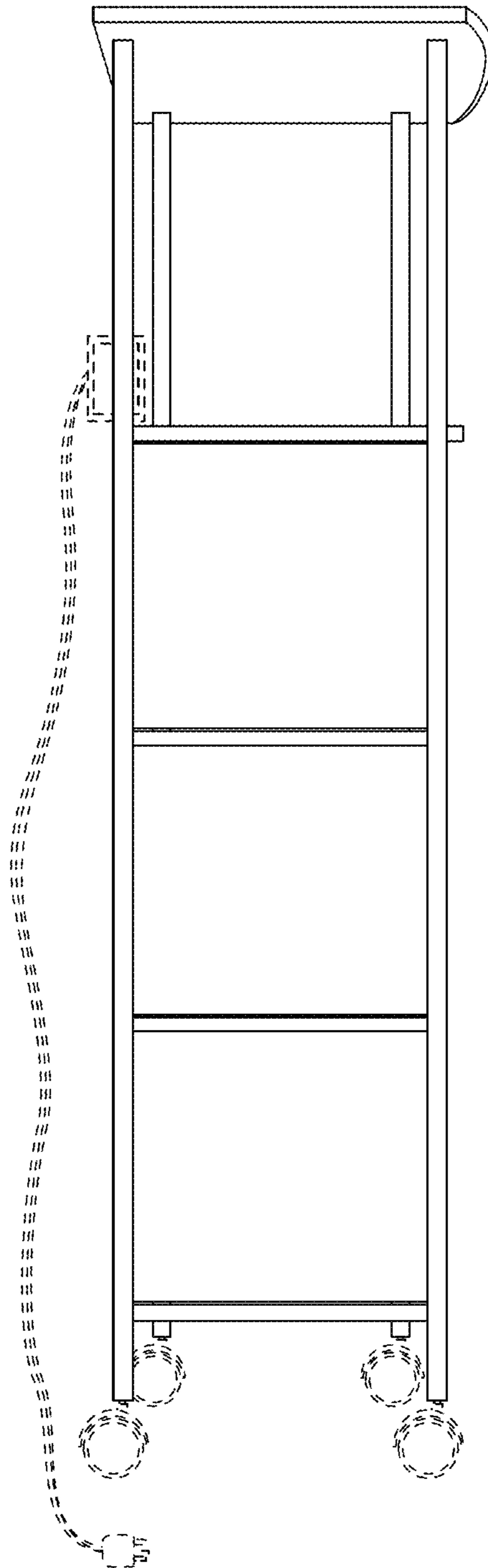


FIG.11

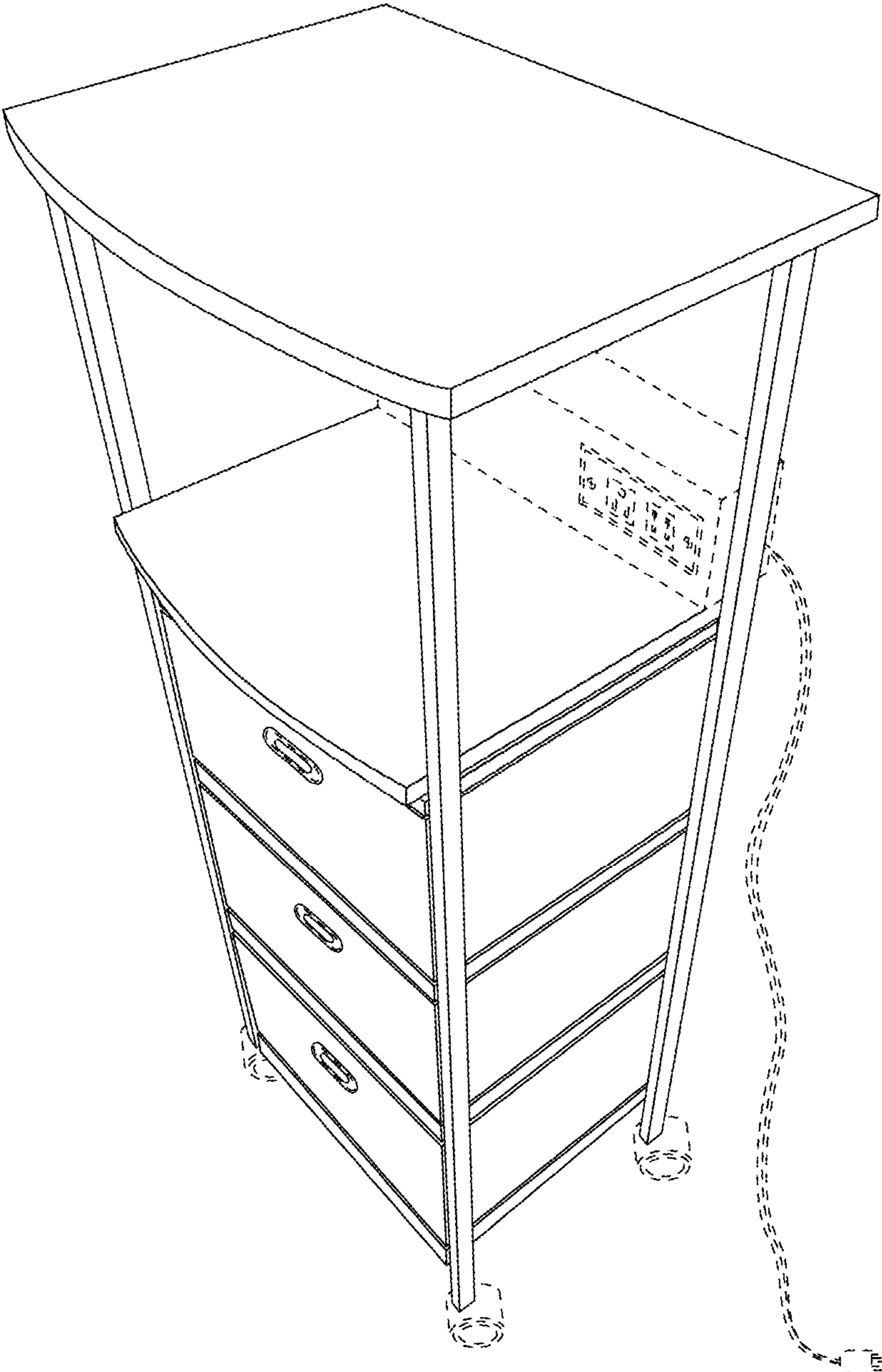


FIG.12

