



US00D966752S

(12) **United States Design Patent** (10) **Patent No.:** **US D966,752 S**
Wang (45) **Date of Patent:** **** Oct. 18, 2022**

(54) **ELECTRIC DESK**
(71) Applicant: **Jiangsu Star Intelligent Home Furnishing Co., Ltd**, Changzhou (CN)
(72) Inventor: **Ruiguang Wang**, Changzhou (CN)
(**) Term: **15 Years**
(21) Appl. No.: **29/808,961**
(22) Filed: **Sep. 24, 2021**
(51) **LOC (13) Cl.** **06-03**
(52) **U.S. Cl.**
USPC **D6/656.16**
(58) **Field of Classification Search**
USPC D6/656, 656.11, 656.16, 656.17, 656.19, D6/691.5
CPC ... A47B 9/20; A47B 21/02; A47B 2200/0056; A47B 9/00; A47B 2200/0062; A47B 2200/0057
See application file for complete search history.

(56) **References Cited**
U.S. PATENT DOCUMENTS
D299,798 S * 2/1989 Sottsas D6/656.16
D716,073 S 10/2014 Hsu
D770,814 S 11/2016 Davidson
D794,359 S * 8/2017 Yamamoto D6/656
D819,371 S 6/2018 Cao
D846,917 S 4/2019 Hu
D847,541 S * 5/2019 Yamamoto D6/656
D858,145 S 9/2019 Herring
D858,146 S 9/2019 Herring
D860,687 S 9/2019 Parikh
D861,382 S * 10/2019 Hu D6/656.11
D862,937 S * 10/2019 Störiko D6/691.5
D864,619 S 10/2019 Hu
(Continued)

OTHER PUBLICATIONS

“Flexispot EC1 Essential Standing Desk.” Found online Aug. 12, 2022 at www.amazon.com. Product first available Sep. 3, 2018.

Retrieved from URL: <https://www.amazon.com/Flexispot-Standing-Adjustable-Electric-Blacktop/dp/B07H2W9Y3W> (Year: 2018).*

(Continued)

Primary Examiner — Mary Ann Calabrese
Assistant Examiner — Katelin G Kloberg
(74) *Attorney, Agent, or Firm* — Rumi Ranjit Kanakia

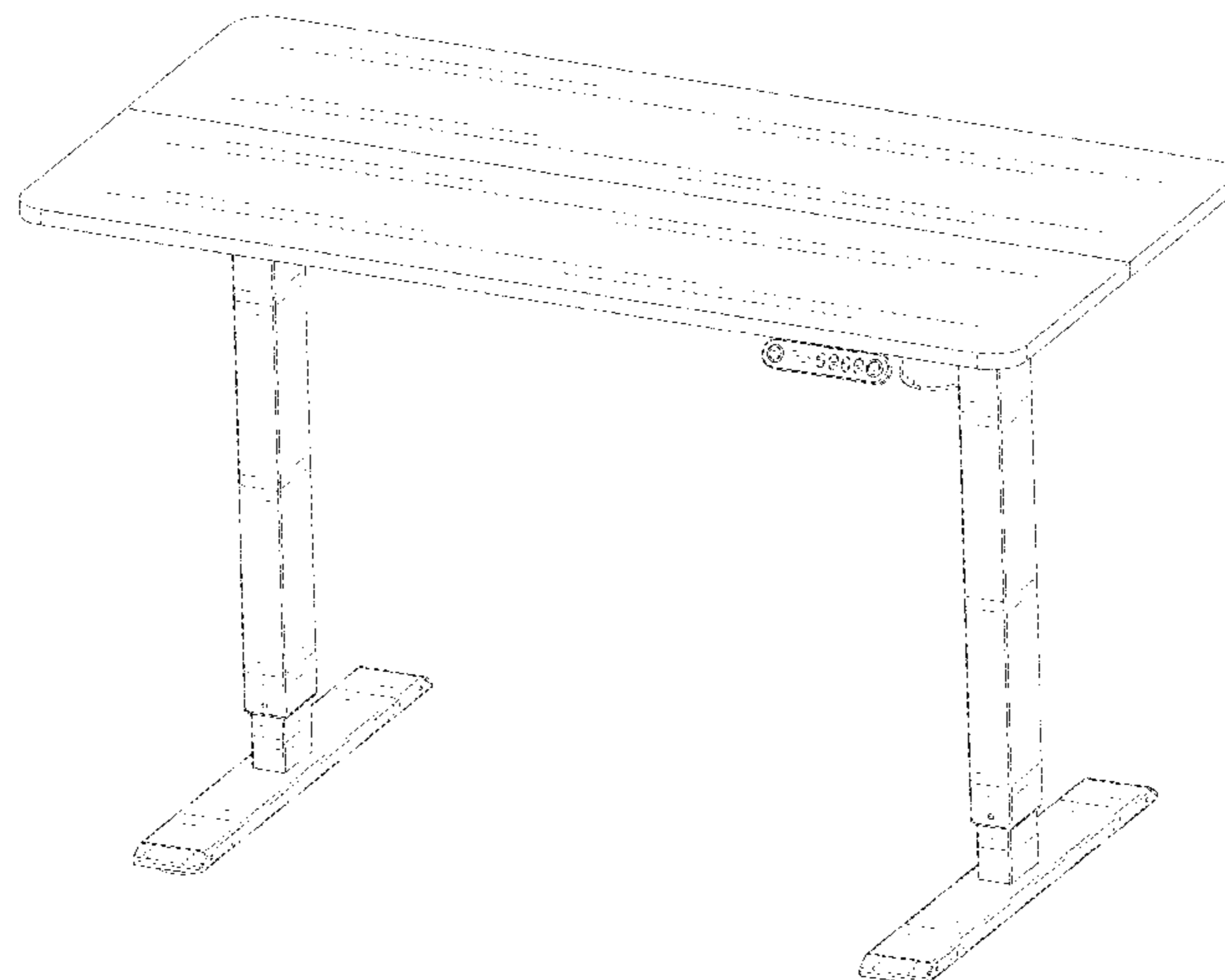
(57) **CLAIM**

The ornamental design for a electric desk, as shown and described.

DESCRIPTION

FIG. 1 is a front elevational view of a electric desk showing my new design;
FIG. 2 is a rear elevational view thereof; and
FIG. 3 is a left side view thereof;
FIG. 4 is a right side view thereof;
FIG. 5 is a top plan view thereof;
FIG. 6 is a bottom plan view thereof;
FIG. 7 is a top, front, right side perspective view thereof;
FIG. 8 is a bottom, rear, left side perspective view thereof;
FIG. 9 is a bottom, front, left side perspective view thereof;
FIG. 10 is an enlarged view of detail 10 in FIG. 1;
FIG. 11 is an enlarged view of detail 11 in FIG. 2;
FIG. 12 is an enlarged view of detail 12 in FIG. 3;
FIG. 13 is an enlarged view of detail 13 in FIG. 6;
FIG. 14 is an enlarged view of detail 14 in FIG. 6;
FIG. 15 is an enlarged view of detail 15 in FIG. 8;
FIG. 16 is an enlarged view of detail 16 in FIG. 8;
FIG. 17 is an enlarged view of detail 17 in FIG. 9; and,
FIG. 18 is an enlarged view of detail 18 in FIG. 9.
The broken lines in the figures are for the purposes of illustrating portions of the electric desk, which form no part of the claimed design.

1 Claim, 18 Drawing Sheets



(56)

References Cited

U.S. PATENT DOCUMENTS

D875,442 S * 2/2020 Duan D6/656.16
 D877,544 S * 3/2020 Hu D6/656.16
 D879,514 S * 3/2020 Goldberg D6/656.16
 D879,515 S * 3/2020 Goldberg D6/656.16
 D881,610 S 4/2020 Hu
 D901,946 S * 11/2020 Egger D6/656.17
 D908,402 S 1/2021 Jenkins
 D916,533 S * 4/2021 Huang D6/656.16
 D917,935 S * 5/2021 Huang D6/656.17
 D922,104 S * 6/2021 Liu D6/656.17
 D924,602 S * 7/2021 Wang D6/656.19
 11,051,611 B2 * 7/2021 Goldberg A47B 3/08
 D926,498 S * 8/2021 Hu D6/656.16
 D931,660 S * 9/2021 Hu D6/656.16
 D931,661 S * 9/2021 Hu D6/656.17
 11,206,921 B1 * 12/2021 Lin A47B 9/06
 D942,188 S * 2/2022 Hu D6/656.17
 11,239,646 B1 * 2/2022 Chen A47B 9/00
 D947,579 S * 4/2022 Chen D6/656.16
 D950,986 S * 5/2022 Hu D6/656.16
 2017/0290415 A1 * 10/2017 Hsu A47B 21/00
 2019/0029413 A1 * 1/2019 Patton A47B 3/06
 2019/0059573 A1 * 2/2019 Tseng A47B 9/04
 2019/0246789 A1 * 8/2019 Chen A47B 21/02
 2020/0154881 A1 * 5/2020 Applegate A47B 3/0815

2020/0229588 A1 * 7/2020 Chen A47B 9/04
 2020/0329861 A1 * 10/2020 Zhang A47C 7/72
 2020/0352320 A1 * 11/2020 Jacobs A47B 21/02
 2020/0359785 A1 * 11/2020 Lu A47B 9/00
 2021/0030146 A1 * 2/2021 Riebner A47B 9/00
 2021/0052064 A1 * 2/2021 Miller A47B 9/00
 2021/0100354 A1 * 4/2021 Møller A47B 9/20
 2021/0145163 A1 * 5/2021 Lin A47B 9/04
 2021/0145164 A1 * 5/2021 Lu A47B 9/16
 2021/0177137 A1 * 6/2021 Lindner F16B 12/10
 2021/0378397 A1 * 12/2021 Anderson A47B 21/02
 2022/0031062 A1 * 2/2022 Albert A47B 9/20

OTHER PUBLICATIONS

“Progressive Automations Desk.” Found online Aug. 12, 2022 at www.amazon.com. Product first available Apr. 29, 2020. Retrieved from URL: <https://www.amazon.com/dp/B087X9Z1D8> (Year: 2020).*
 “FEZIBO Height Adjustable Electric Standing Desk.” Found online Aug. 12, 2022 at [ww.amazon.com](https://www.amazon.com). Product first available Jul. 3, 2020. Retrieved from URL: <https://www.amazon.com/FEZIBO-Height-Adjustable-Electric-Standing/dp/B08CBV1VC5> (Year: 2020).*
 “IYEE Nature Electric Standing Desk.” Found online Aug. 12, 2022 at www.amazon.com. Product first available Sep. 3, 2021. Retrieved from URL: <https://www.amazon.com/IYEE-NATURE-Electric-Standing-Adjustable/dp/B094D914SD> (Year: 2021).*

* cited by examiner

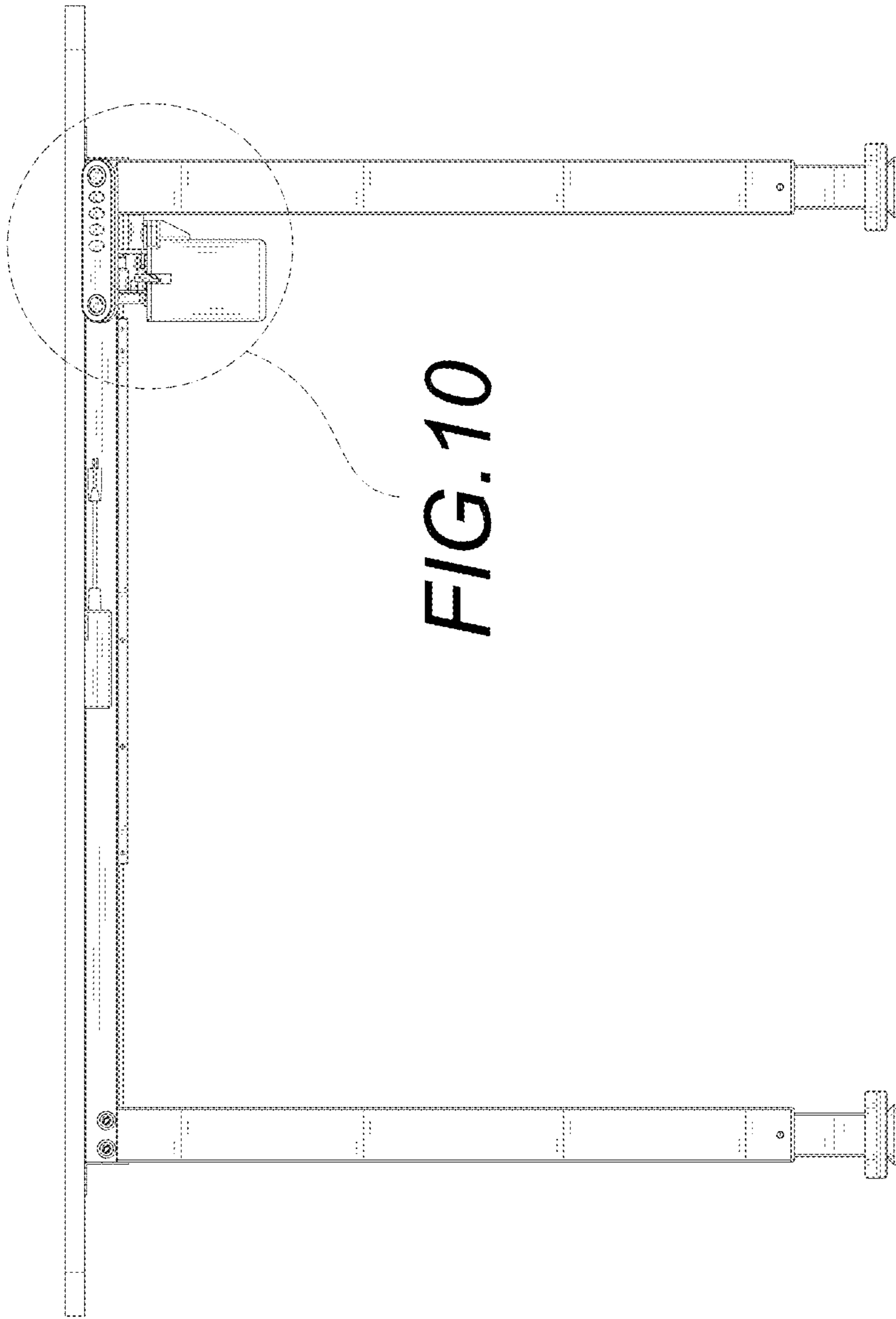


FIG.10

FIG.1

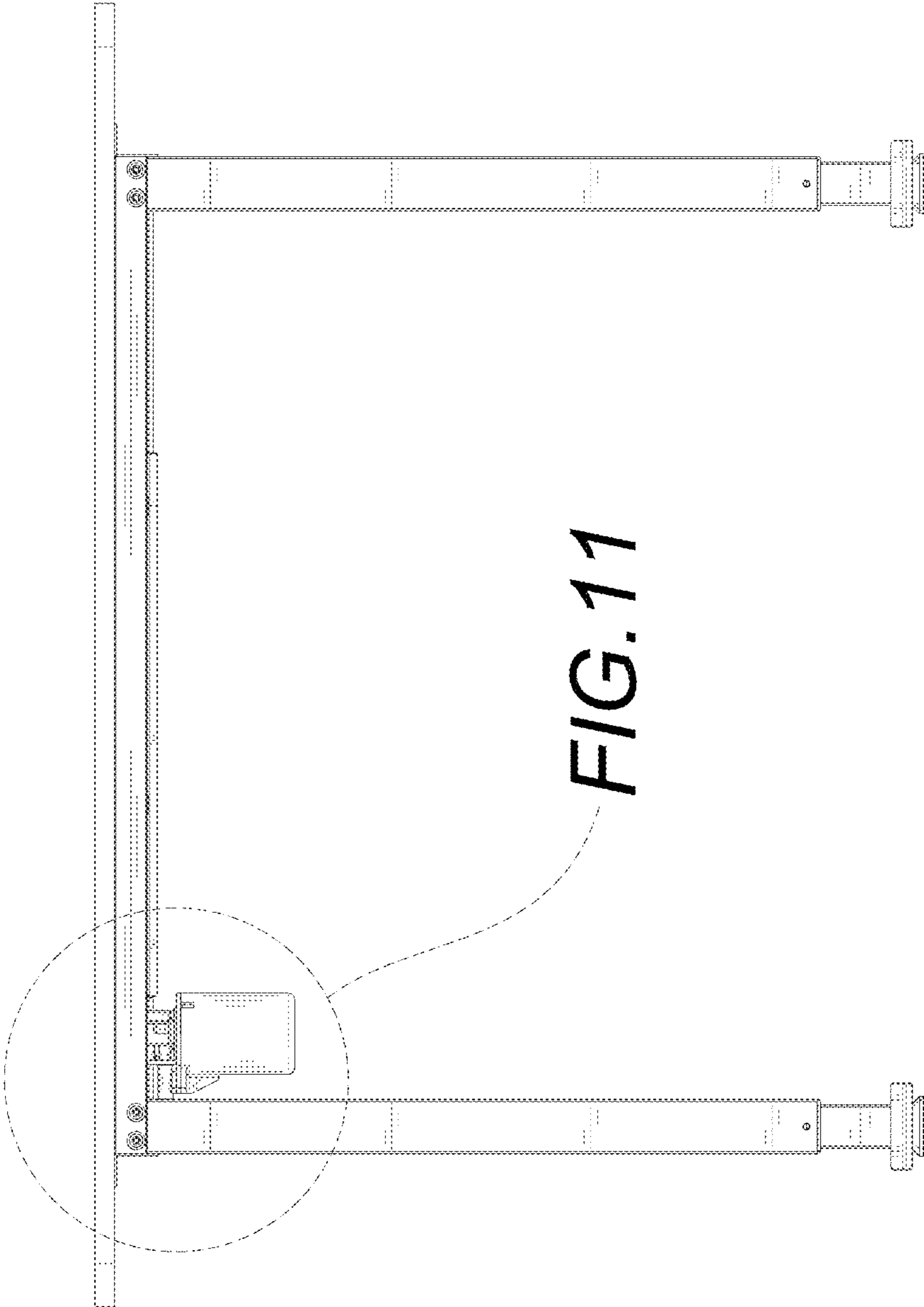


FIG. 11

FIG. 2

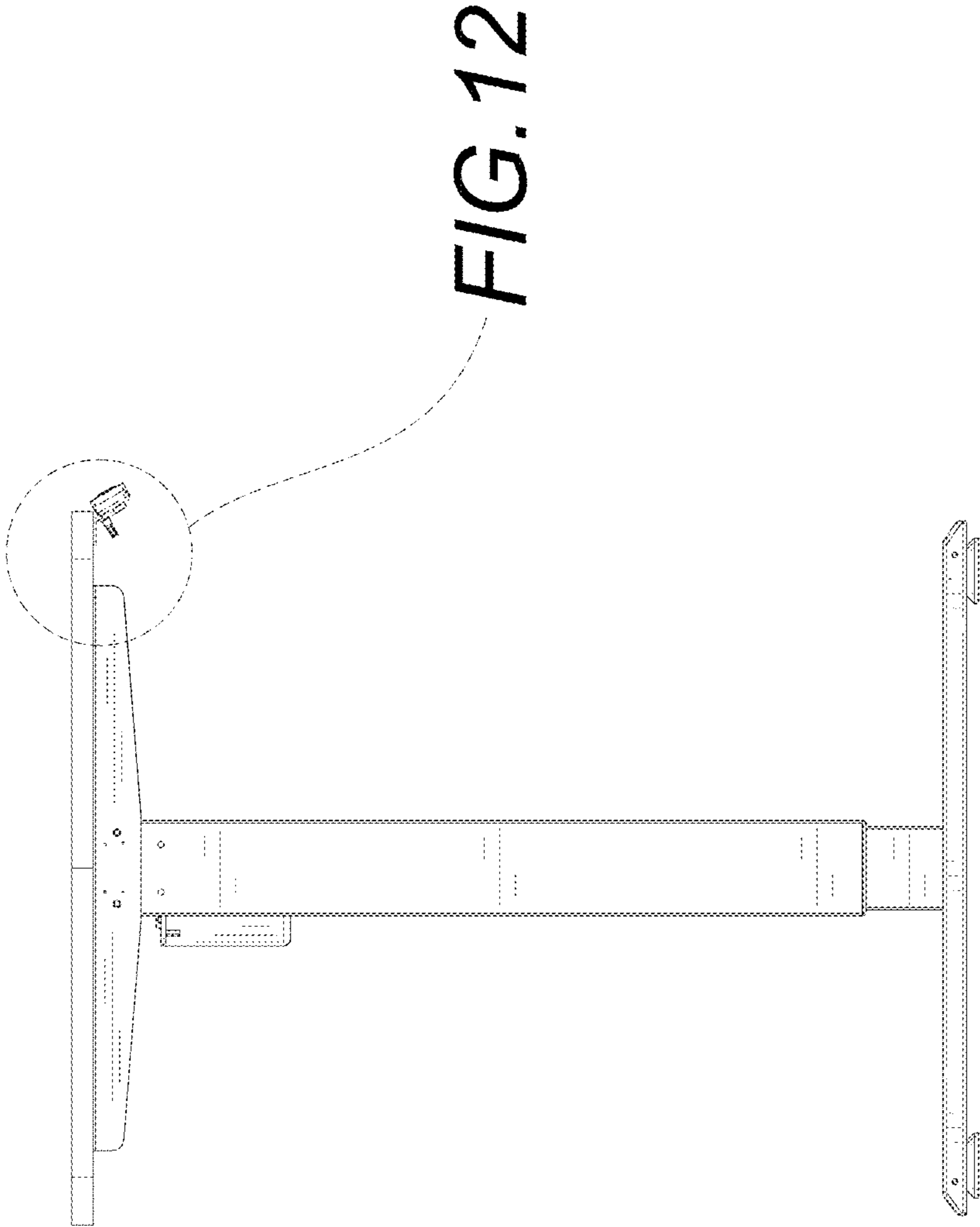


FIG. 3

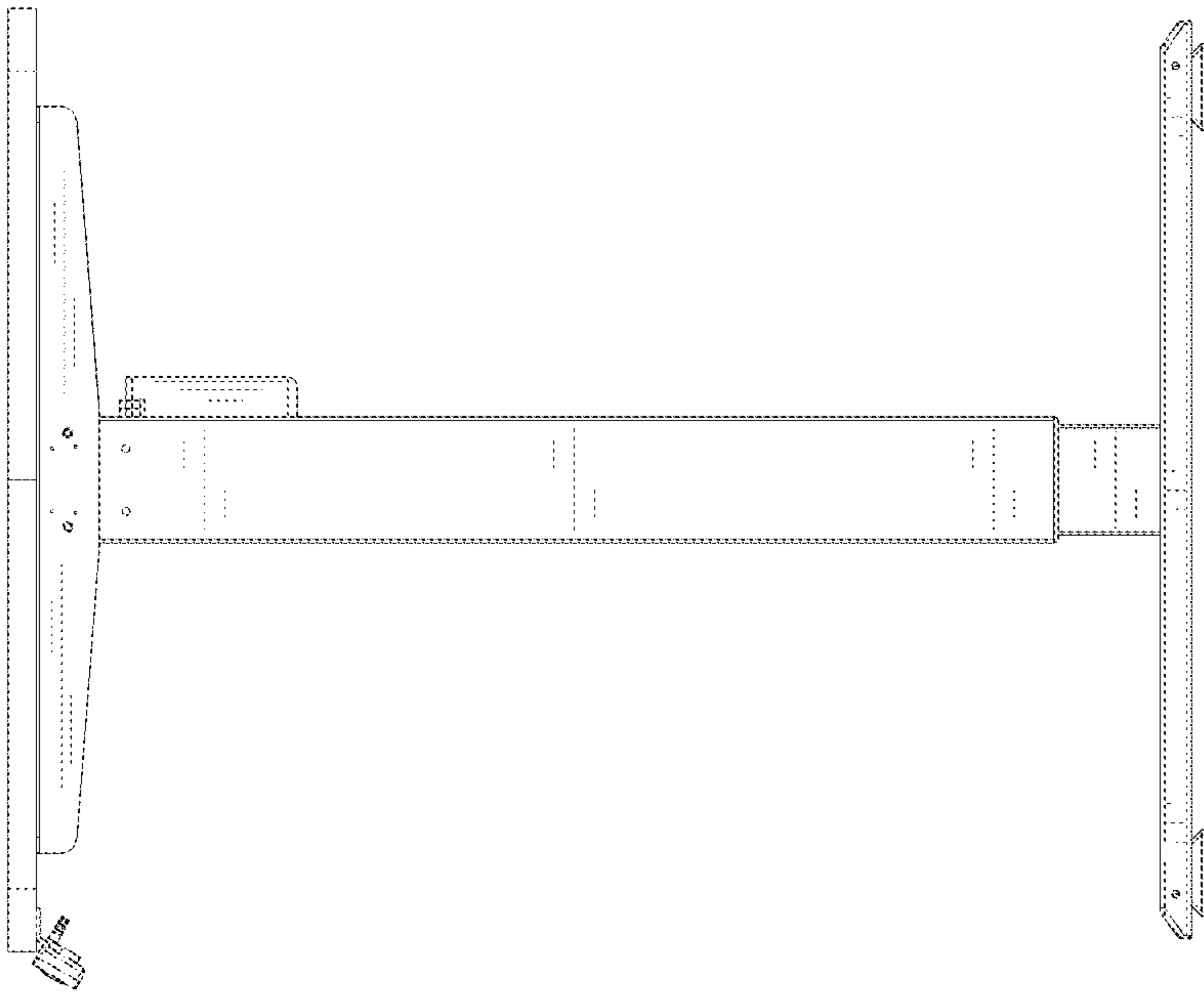


FIG. 4

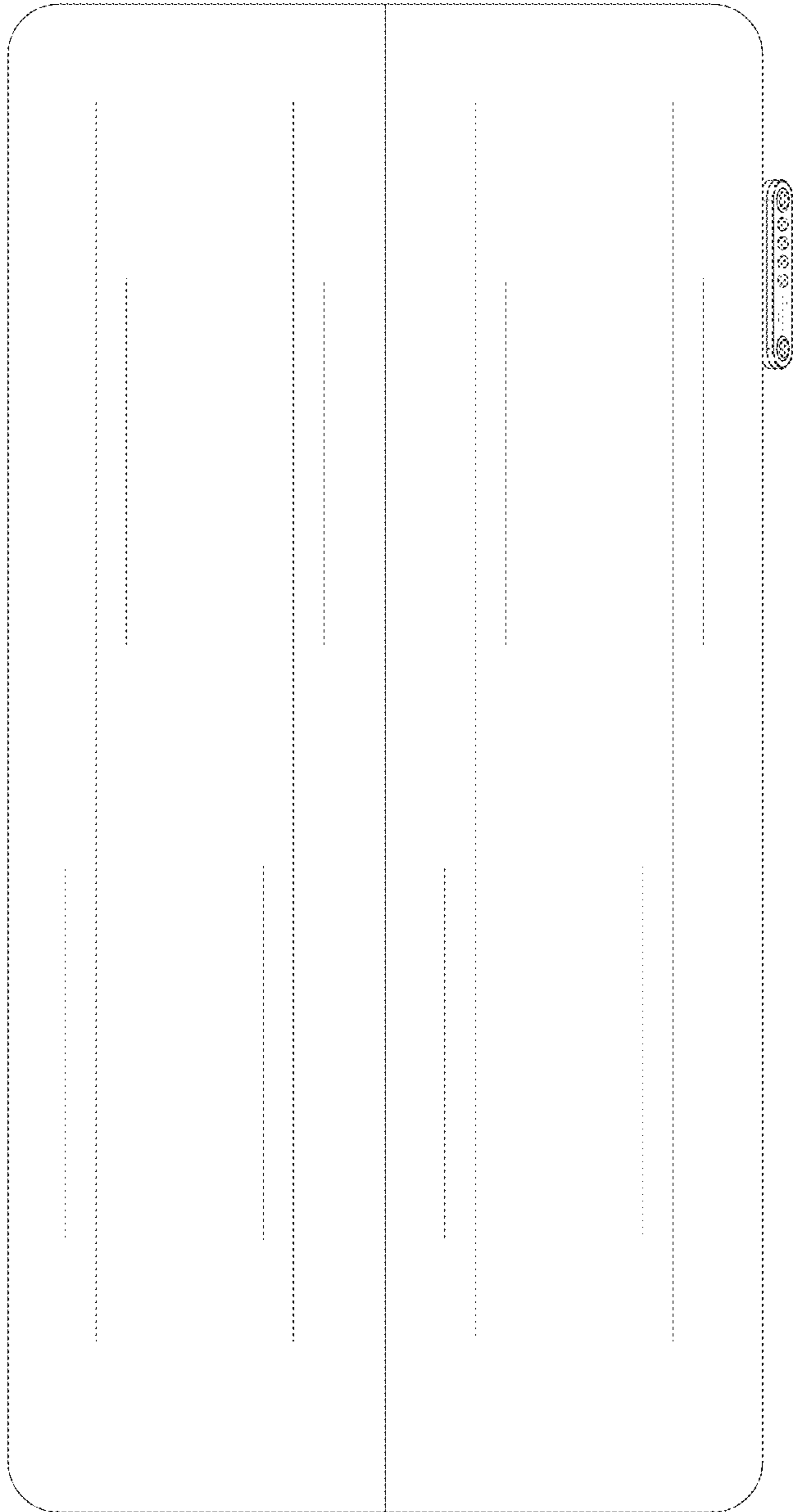


FIG. 5

FIG. 13

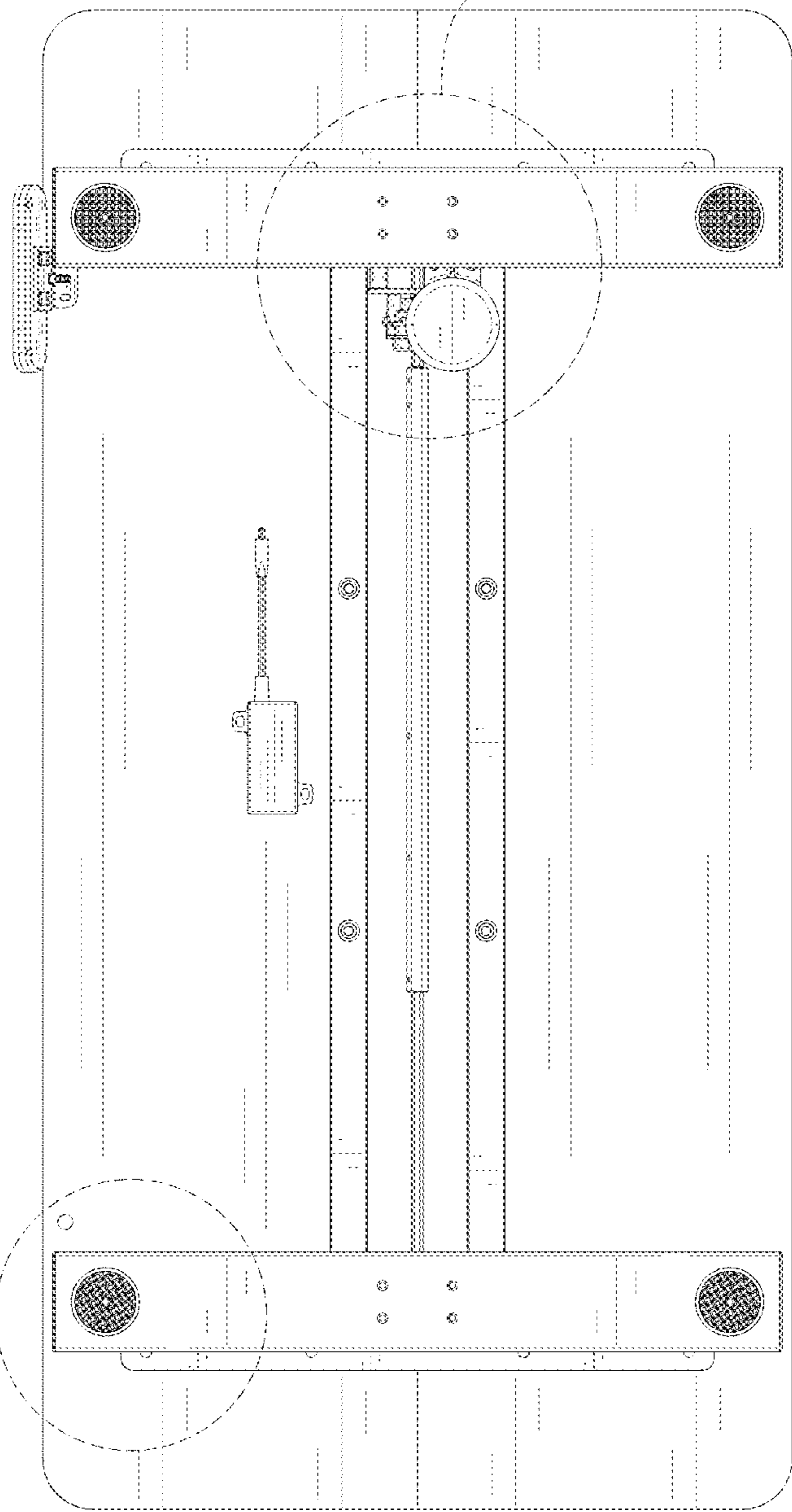


FIG. 14

FIG. 6

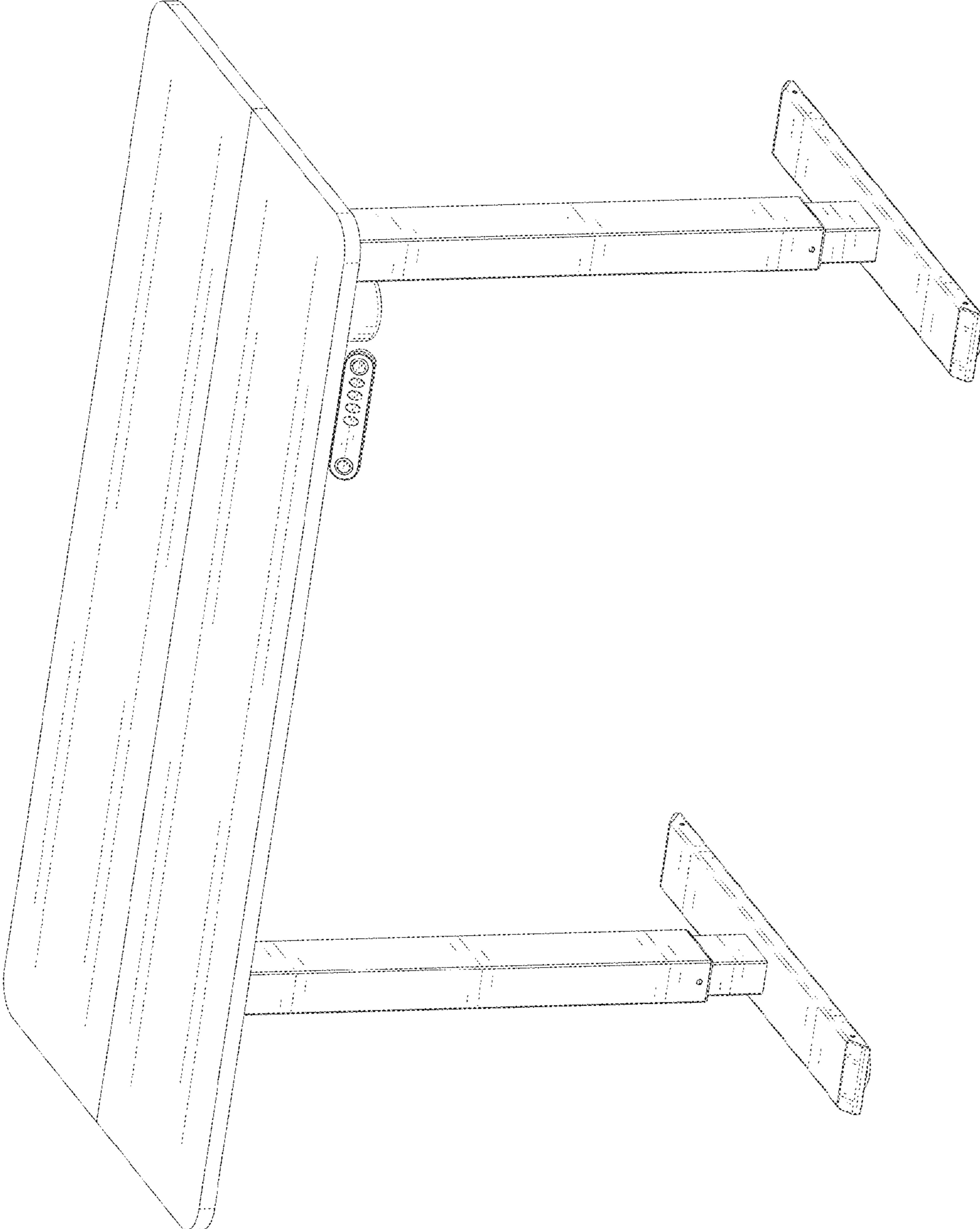
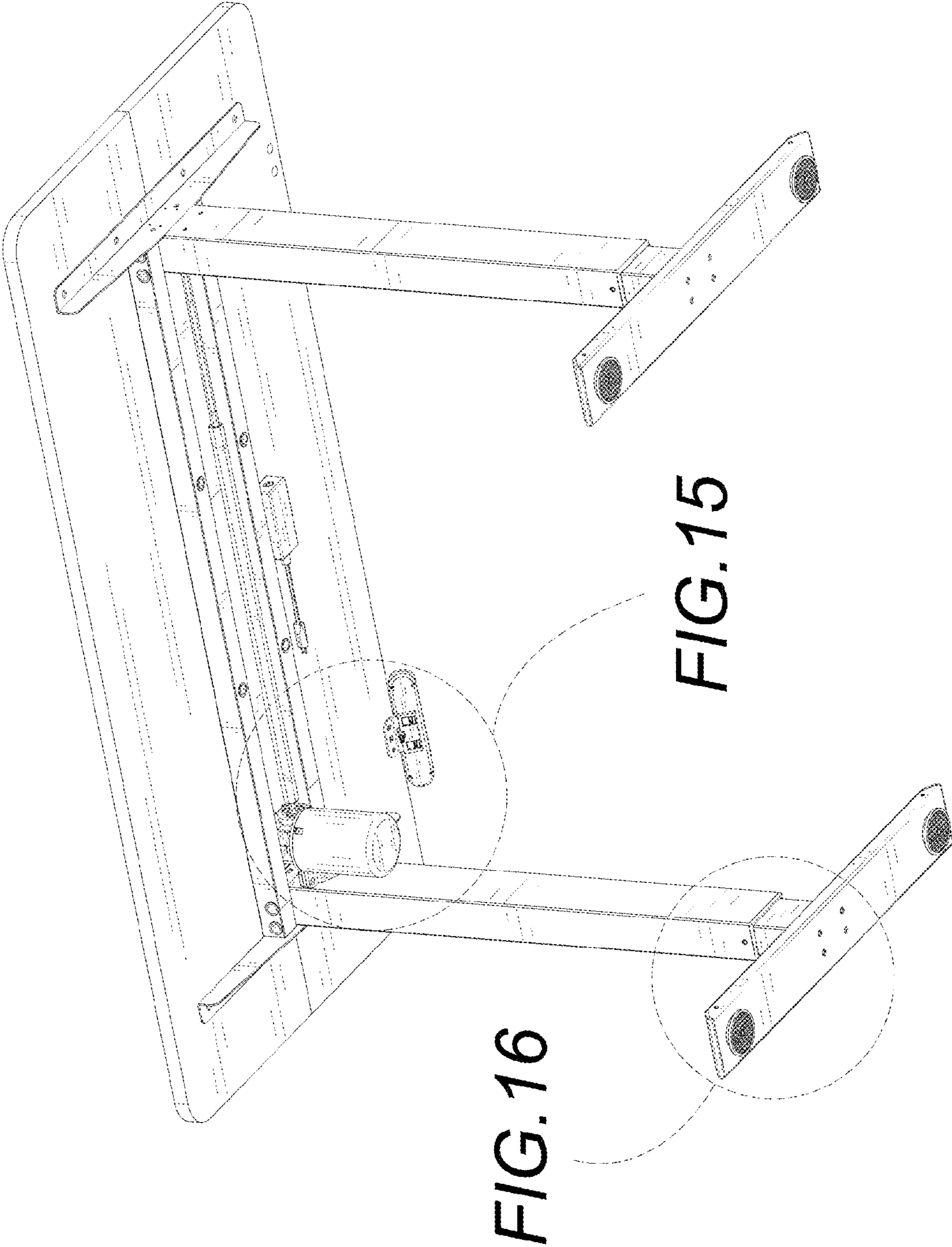
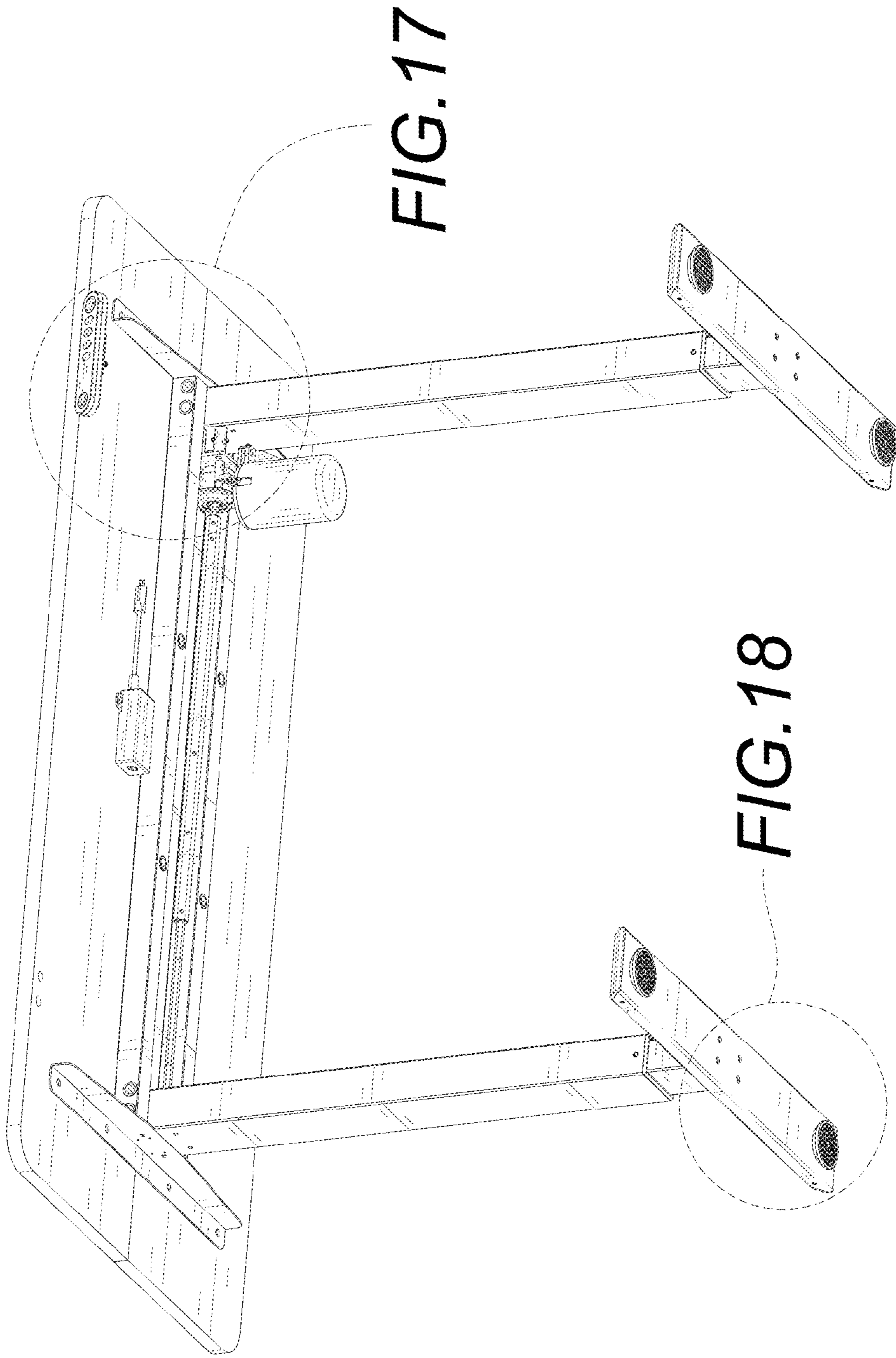


FIG. 7





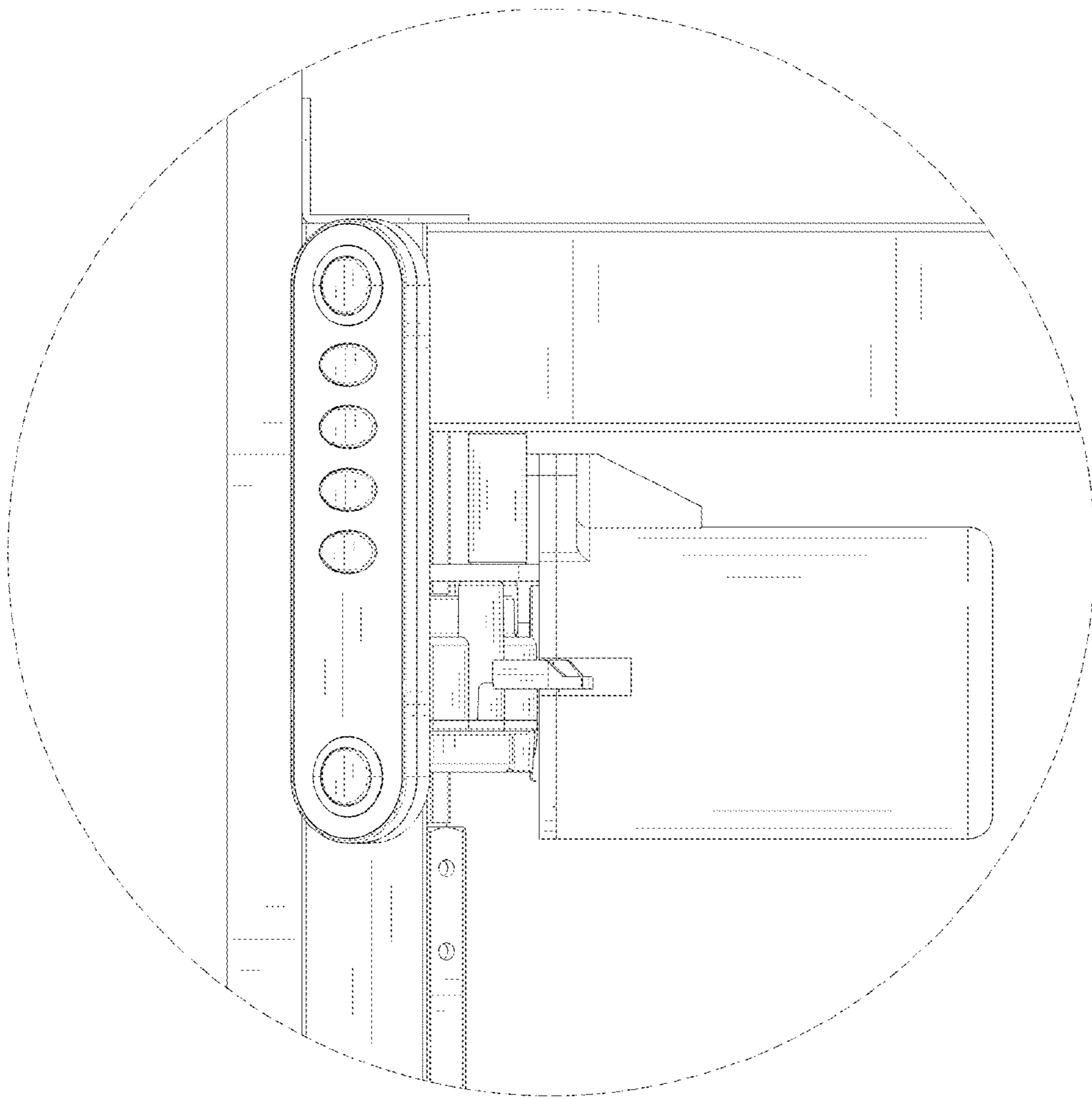


FIG. 10

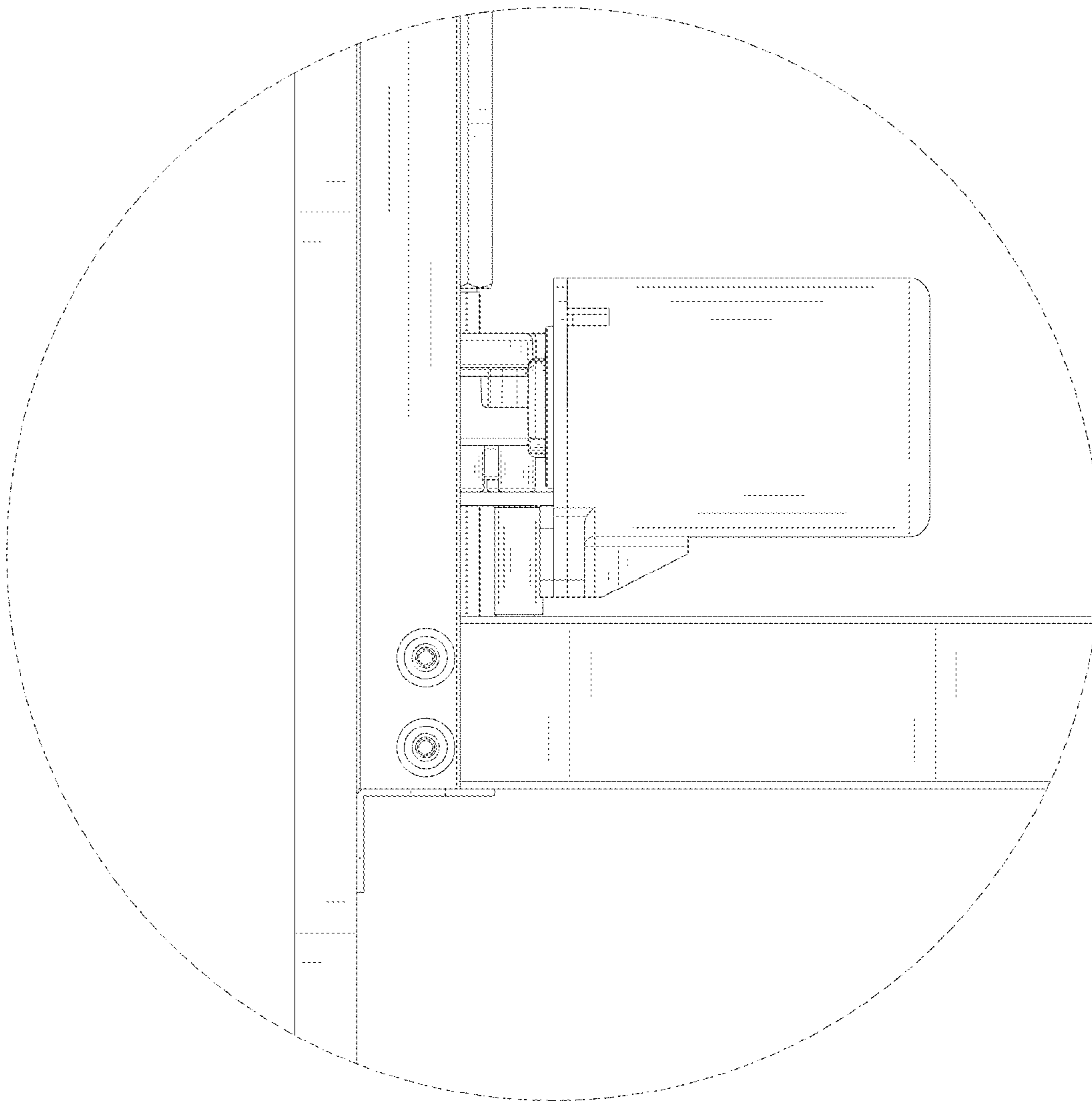


FIG. 11

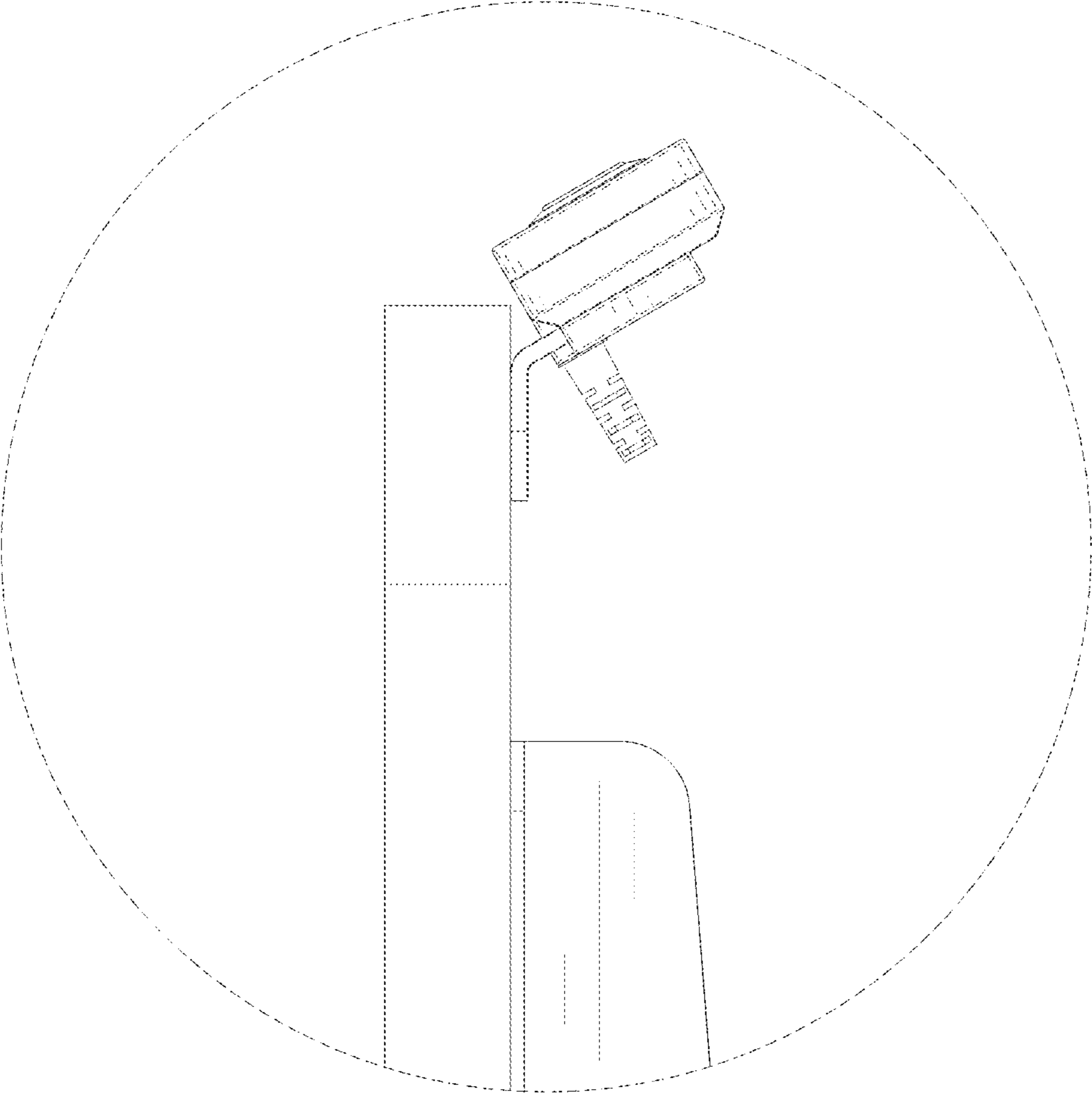


FIG. 12

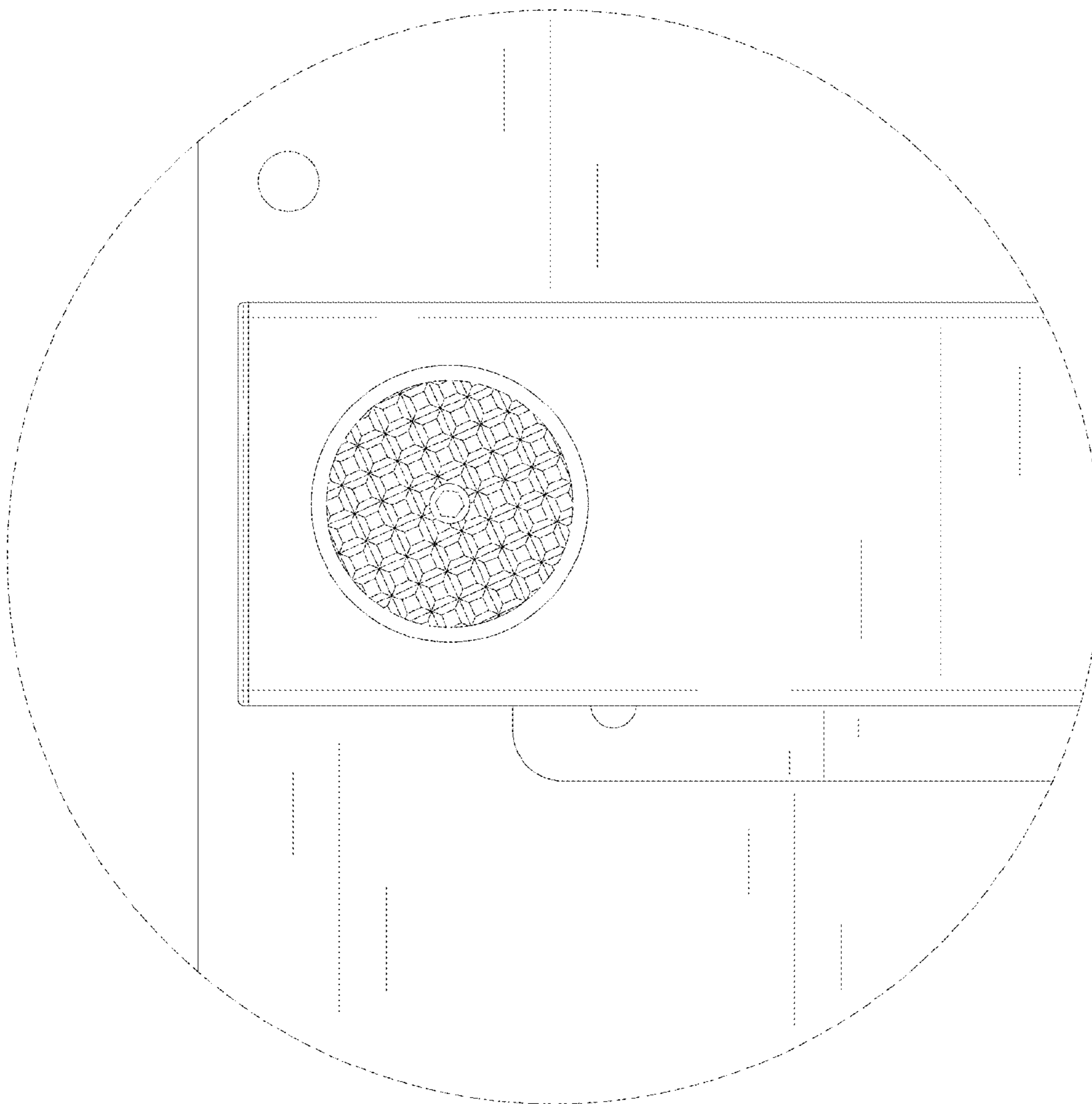


FIG. 13

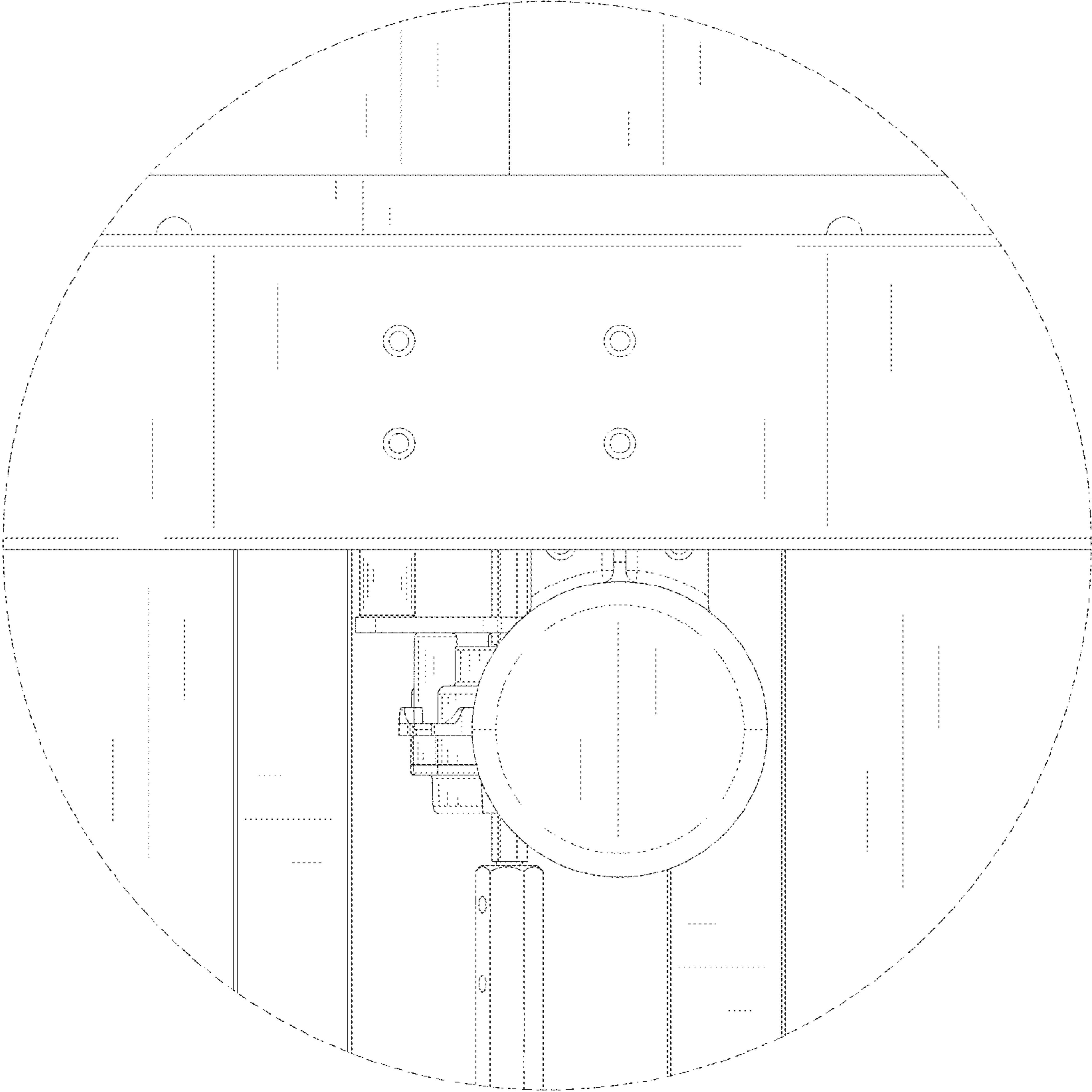


FIG. 14

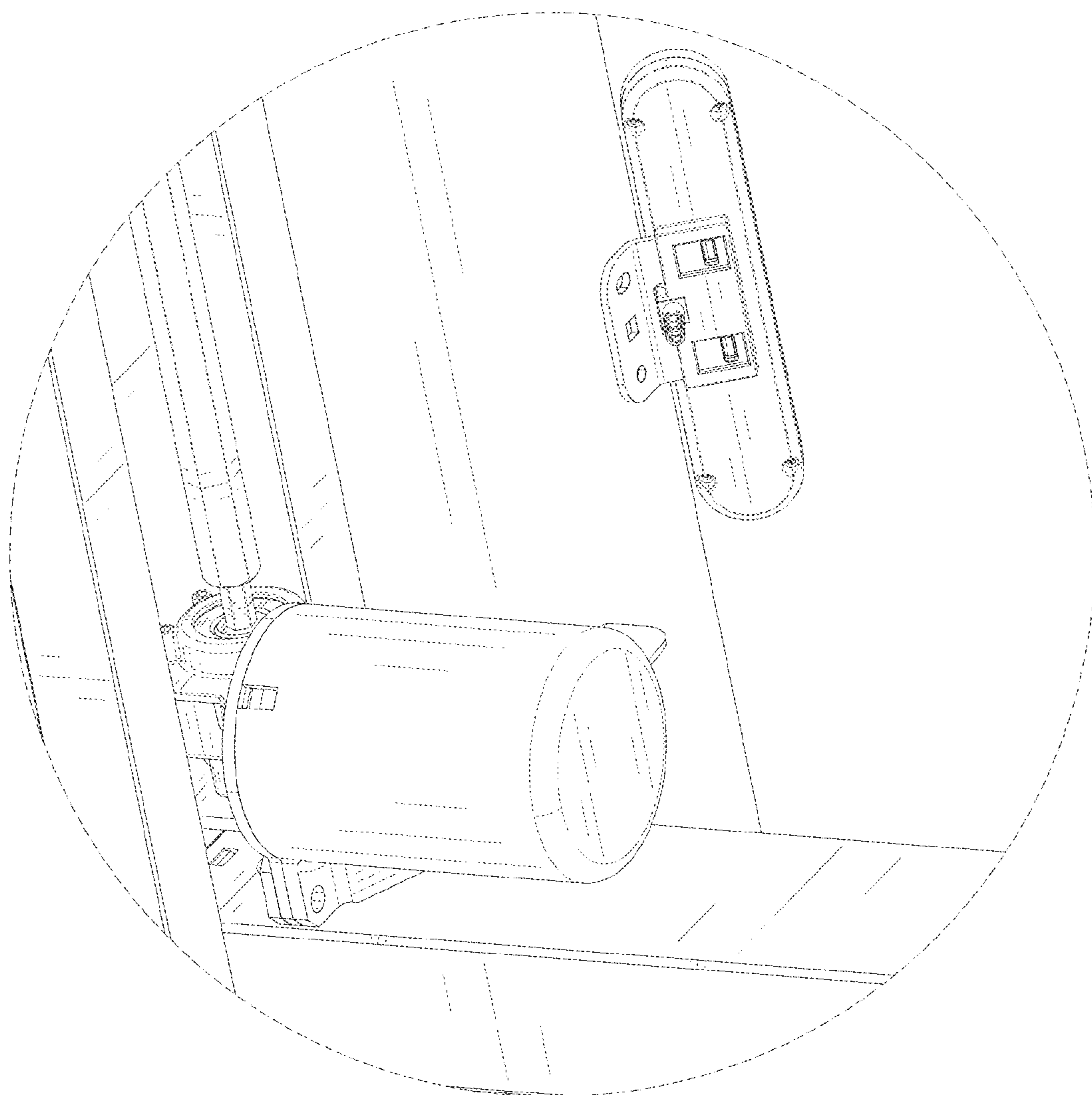


FIG. 15

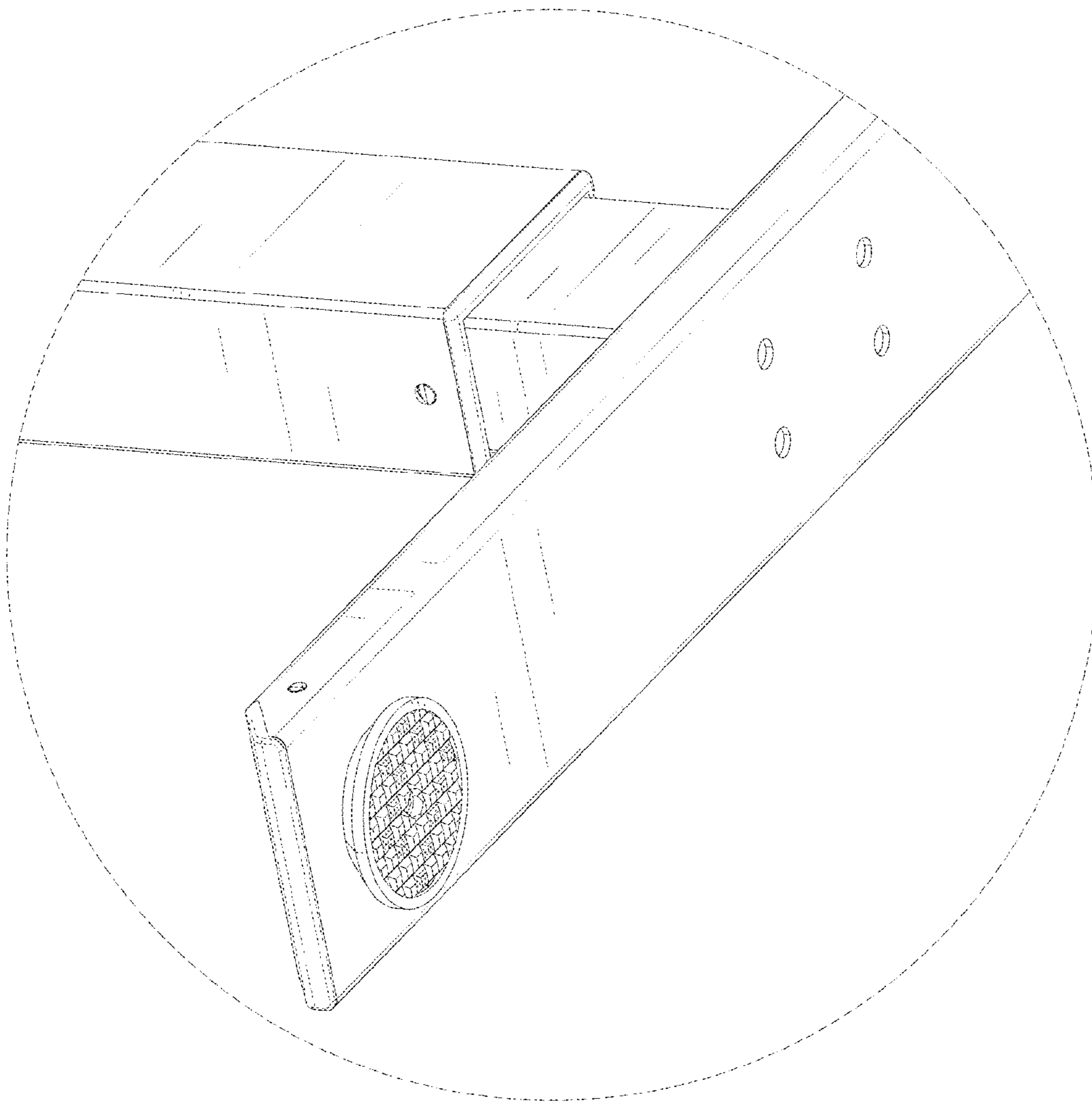


FIG. 16

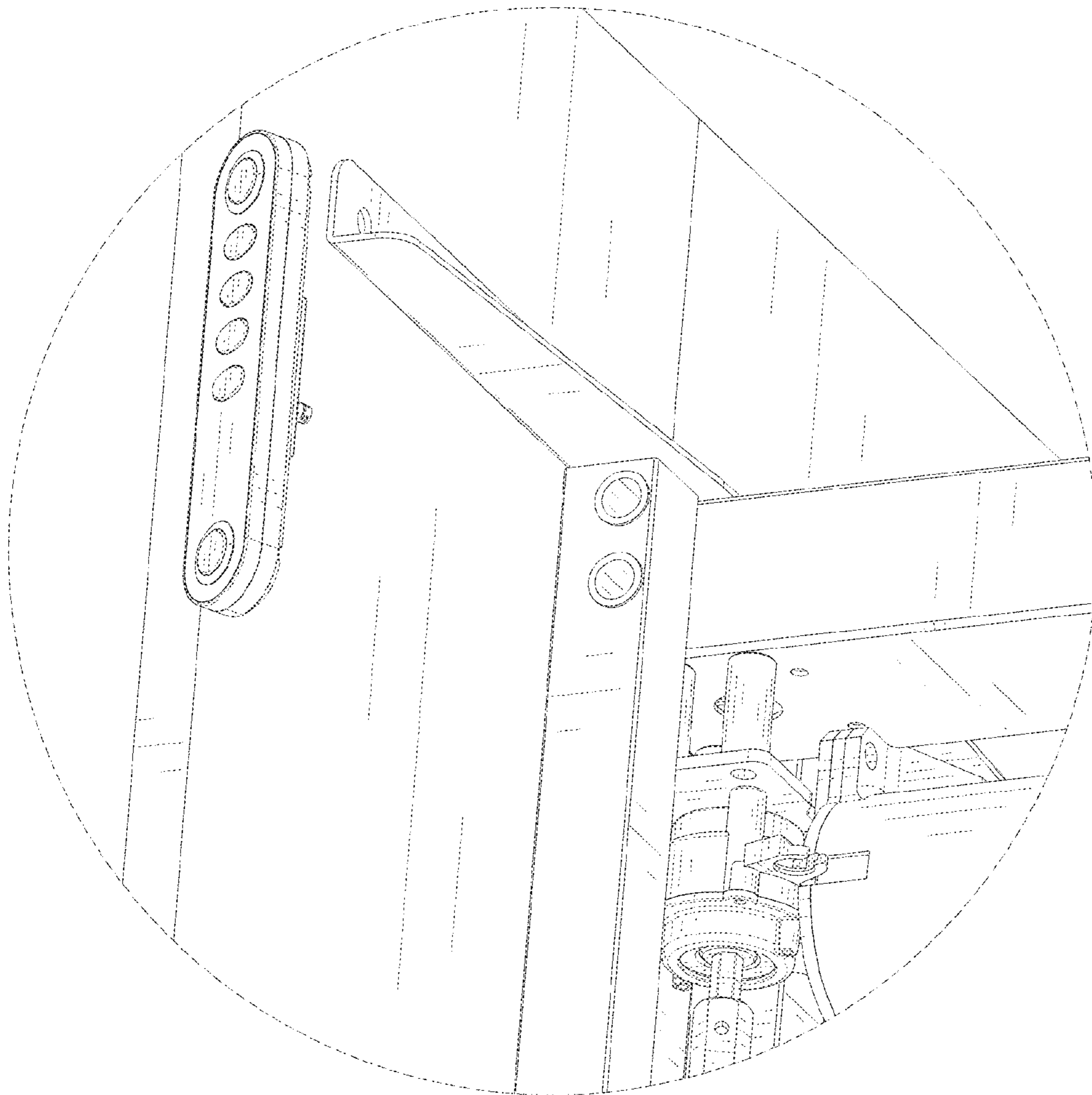


FIG. 17

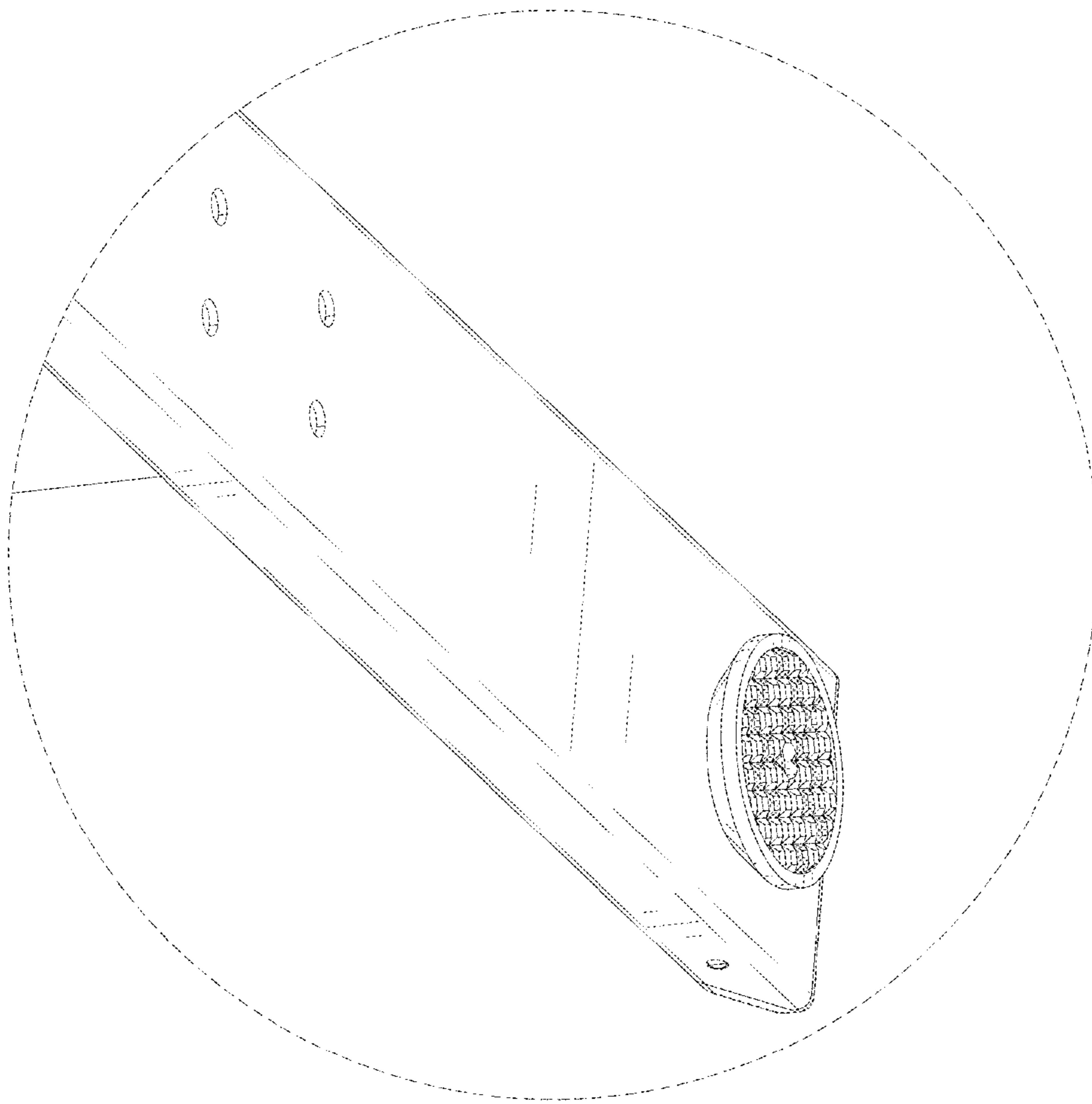


FIG. 18