



US00D966751S

(12) **United States Design Patent**  
**Huo et al.**

(10) **Patent No.:** **US D966,751 S**

(45) **Date of Patent:** **\*\* Oct. 18, 2022**

(54) **COMPUTER DESK**

(71) Applicant: **SHENZHEN BESTQI INNOVATION TECHNOLOGY CO., LTD**, Shenzhen (CN)

(72) Inventors: **Yuan Huo**, Shenzhen (CN); **Zhengcai Hong**, Shenzhen (CN)

(73) Assignee: **SHENZHEN BESTQI INNOVATION TECHNOLOGY CO., LTD**, Shenzhen (CN)

(\*\*) Term: **15 Years**

(21) Appl. No.: **29/818,970**

(22) Filed: **Dec. 13, 2021**

(30) **Foreign Application Priority Data**

Nov. 4, 2021 (CN) ..... 202130725291.1

(51) **LOC (13) Cl.** ..... **06-03**

(52) **U.S. Cl.**  
USPC ..... **D6/656**

(58) **Field of Classification Search**

USPC ..... D6/641, 642, 655, 656, 656.1, 656.11,  
D6/656.12, 656.13, 656.14, 656.15,  
D6/656.16, 656.17, 656.18, 656.19,  
D6/688.14, 688.15, 691, 691.1, 691.5,  
D6/691.6, 691.7, 697

CPC ... A47B 9/20; A47B 21/02; A47B 2200/0056;  
A47B 9/00; A47B 2200/0062; A47B  
2200/0057

See application file for complete search history.

(56) **References Cited**

**U.S. PATENT DOCUMENTS**

D299,798 S \* 2/1989 Sottsas ..... D6/656.16  
D455,576 S 4/2002 Tzeng  
D794,359 S \* 8/2017 Yamamoto ..... D6/656

D847,541 S \* 5/2019 Yamamoto ..... D6/656  
D861,382 S \* 10/2019 Hu ..... D6/656.11  
D862,937 S \* 10/2019 Störiko ..... D6/691.5  
D875,442 S \* 2/2020 Duan ..... D6/656.16  
D877,544 S \* 3/2020 Hu ..... D6/656.16  
D879,514 S \* 3/2020 Goldberg ..... D6/656.16  
D879,515 S \* 3/2020 Goldberg ..... D6/656.16  
D901,946 S \* 11/2020 Egger ..... D6/656.17  
D908,402 S \* 1/2021 Jenkins ..... D6/691.5  
D916,533 S \* 4/2021 Huang ..... D6/656.16

(Continued)

**OTHER PUBLICATIONS**

“AIMEZO Split Top Electric Standing Desk.” Found online Aug. 13, 2022 at [www.amazon.com](https://www.amazon.com). Product first available Sep. 18, 2020. Retrieved from URL: <https://www.amazon.com/dp/B08JGP87SW> (Year: 2020).\*

(Continued)

*Primary Examiner* — Mary Ann Calabrese  
*Assistant Examiner* — Katelin G Kloberg

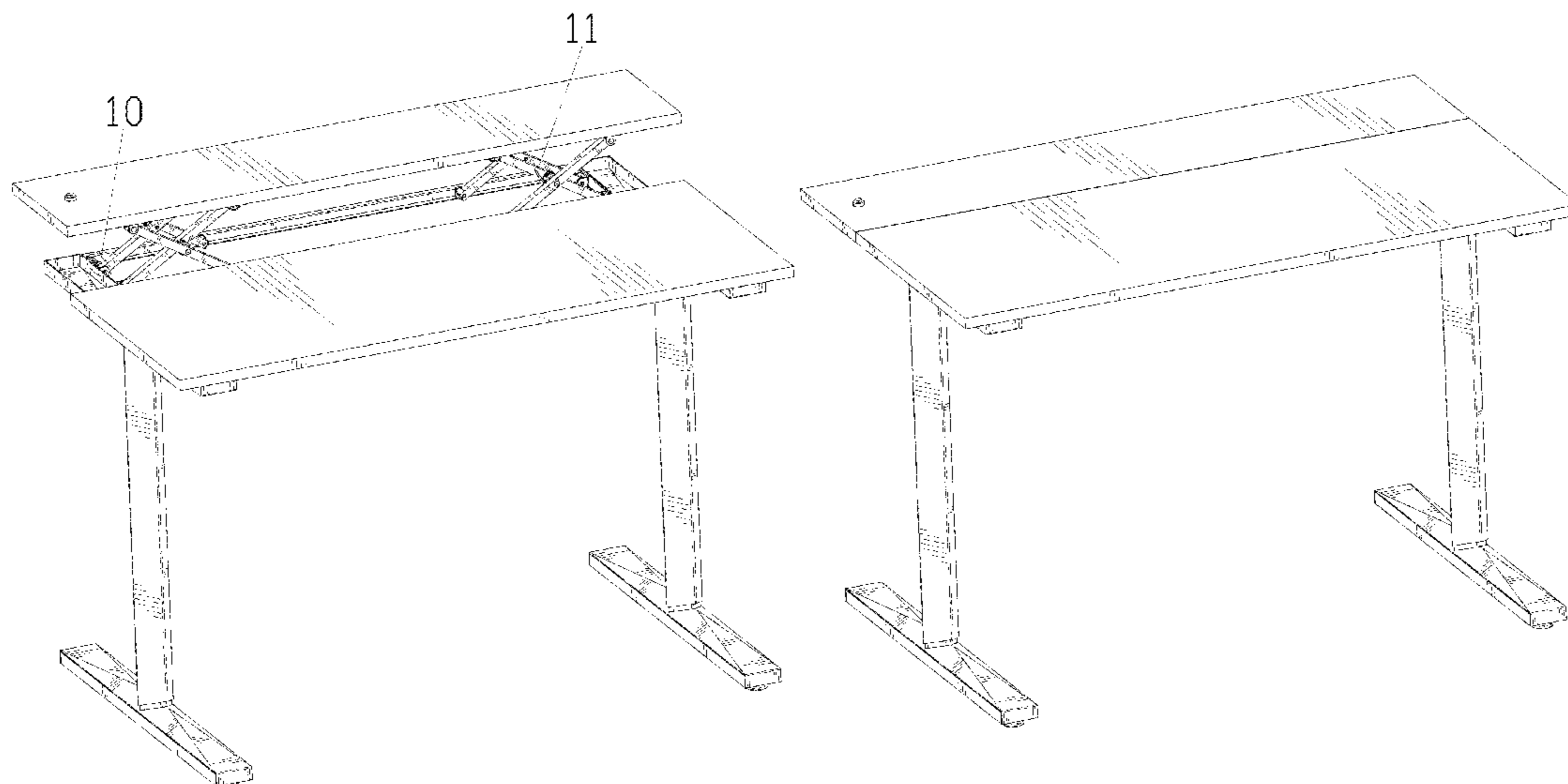
(57) **CLAIM**

The ornamental design for a computer desk, as shown and described.

**DESCRIPTION**

FIG. 1 is a top, front perspective view of a computer desk, showing our new design;  
FIG. 2 is a bottom, rear perspective view thereof;  
FIG. 3 is a front elevational view thereof;  
FIG. 4 is a rear elevational view thereof;  
FIG. 5 is a left side elevational view thereof;  
FIG. 6 is a right side elevational view thereof;  
FIG. 7 is a top plan view thereof;  
FIG. 8 is a bottom plan view thereof;  
FIG. 9 is a top, front perspective view, showing the computer desk in an alternate configuration of use;  
FIG. 10 is an enlarged view of detail 10 in FIG. 1; and,  
FIG. 11 is an enlarged view of detail 11 in FIG. 1.

**1 Claim, 11 Drawing Sheets**



(56)

References Cited

U.S. PATENT DOCUMENTS

D917,935 S \* 5/2021 Huang ..... D6/656.17  
 D922,104 S \* 6/2021 Liu ..... D6/656.17  
 D923,975 S 7/2021 Li  
 D924,602 S \* 7/2021 Wang ..... D6/656.19  
 11,051,611 B2 \* 7/2021 Goldberg ..... A47B 3/08  
 D926,498 S \* 8/2021 Hu ..... D6/656.16  
 D931,660 S \* 9/2021 Hu ..... D6/656.16  
 D931,661 S \* 9/2021 Hu ..... D6/656.17  
 11,206,921 B1 \* 12/2021 Lin ..... A47B 9/06  
 D942,188 S \* 2/2022 Hu ..... D6/656.17  
 11,239,646 B1 \* 2/2022 Chen ..... A47B 9/00  
 D947,579 S \* 4/2022 Chen ..... D6/656.16  
 D950,986 S \* 5/2022 Hu ..... D6/656.16  
 2017/0290415 A1 \* 10/2017 Hsu ..... A47B 21/00  
 2019/0029413 A1 \* 1/2019 Patton ..... A47B 3/06  
 2019/0059573 A1 \* 2/2019 Tseng ..... A47B 9/04  
 2019/0246789 A1 \* 8/2019 Chen ..... A47B 21/02  
 2020/0154881 A1 \* 5/2020 Applegate ..... A47B 3/0815  
 2020/0229588 A1 \* 7/2020 Chen ..... A47B 9/04  
 2020/0329861 A1 \* 10/2020 Zhang ..... A47C 7/72  
 2020/0352320 A1 \* 11/2020 Jacobs ..... A47B 21/02  
 2020/0359785 A1 \* 11/2020 Lu ..... A47B 9/00  
 2021/0030146 A1 \* 2/2021 Riebner ..... A47B 9/00

2021/0052064 A1 \* 2/2021 Miller ..... A47B 9/00  
 2021/0100354 A1 \* 4/2021 Møller ..... A47B 9/20  
 2021/0145163 A1 \* 5/2021 Lin ..... A47B 9/04  
 2021/0145164 A1 \* 5/2021 Lu ..... A47B 9/16  
 2021/0177137 A1 \* 6/2021 Lindner ..... F16B 12/10  
 2021/0378397 A1 \* 12/2021 Anderson ..... A47B 21/02  
 2022/0031062 A1 \* 2/2022 Albert ..... A47B 9/20

OTHER PUBLICATIONS

“Rolanstar Standing Desk Dual Motor.” Found online Aug. 13, 2022 at [www.amazon.com](http://www.amazon.com). Product first available Dec. 14, 2020. Retrieved from URL: <https://www.amazon.com/dp/B08QJHZ7VQ> (Year: 2020).\*  
 “FLEXISPOT EF1 Essential 2 Tier Standing Desk.” Found online Aug. 13, 2022 at [www.amazon.com](http://www.amazon.com). Product first available Jan. 20, 2021. Retrieved from URL: <https://www.amazon.com/Flexispot-Standing-Electric-Adjustable-Controller/dp/B08TH8N9GQ> (Year: 2021).\*  
 “AITERMINAL Electric Standing Desk.” Found online Aug. 13, 2022 at [www.amazon.com](http://www.amazon.com). Product first available Jun. 28, 2022. Retrieved from URL: <https://www.amazon.com/AITERMINAL-Electric-Standing-Motor-Height-Adjustable/dp/B0B58ZQLRV> (Year: 2022).\*

\* cited by examiner

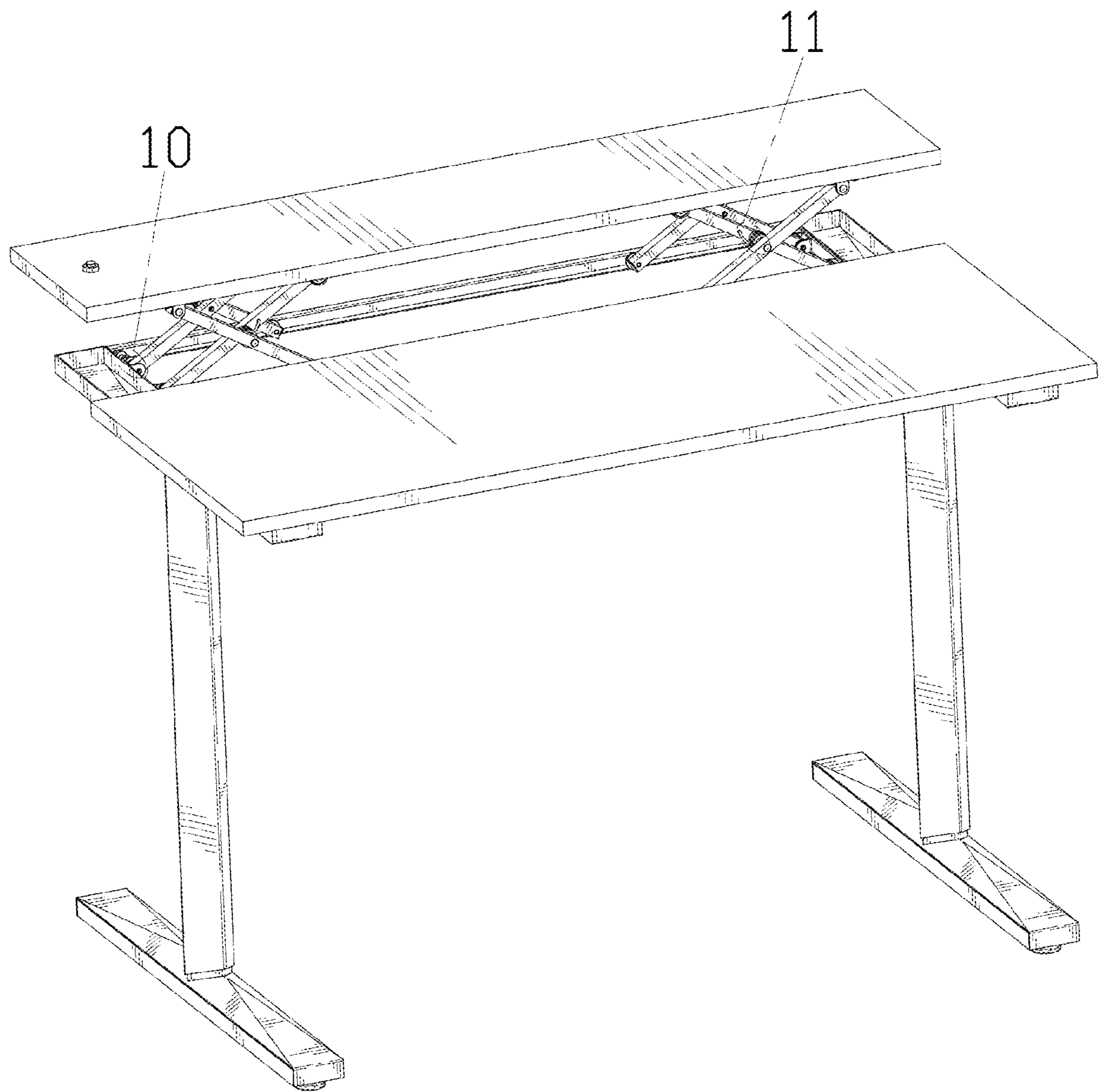


FIG. 1

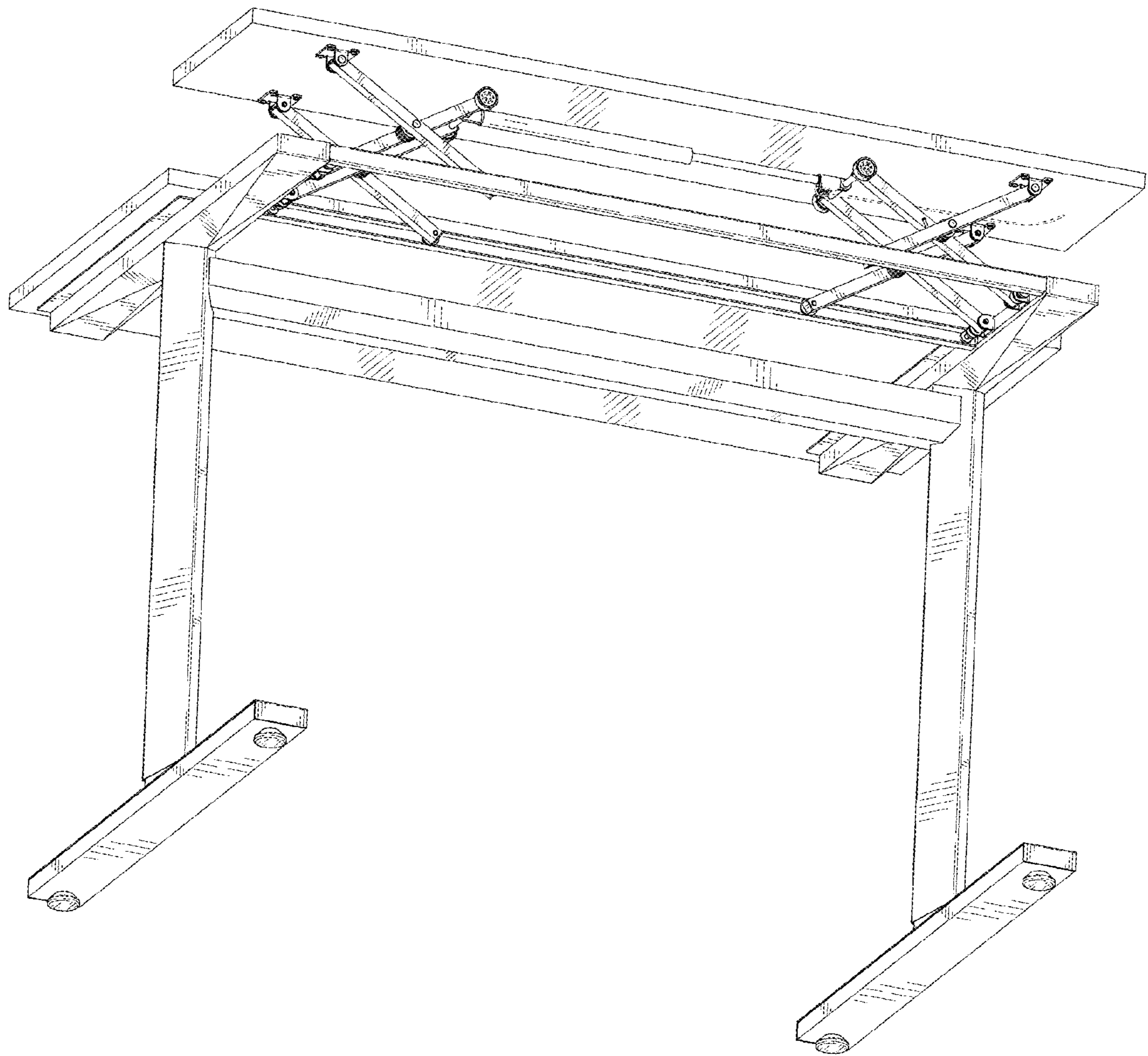


FIG. 2

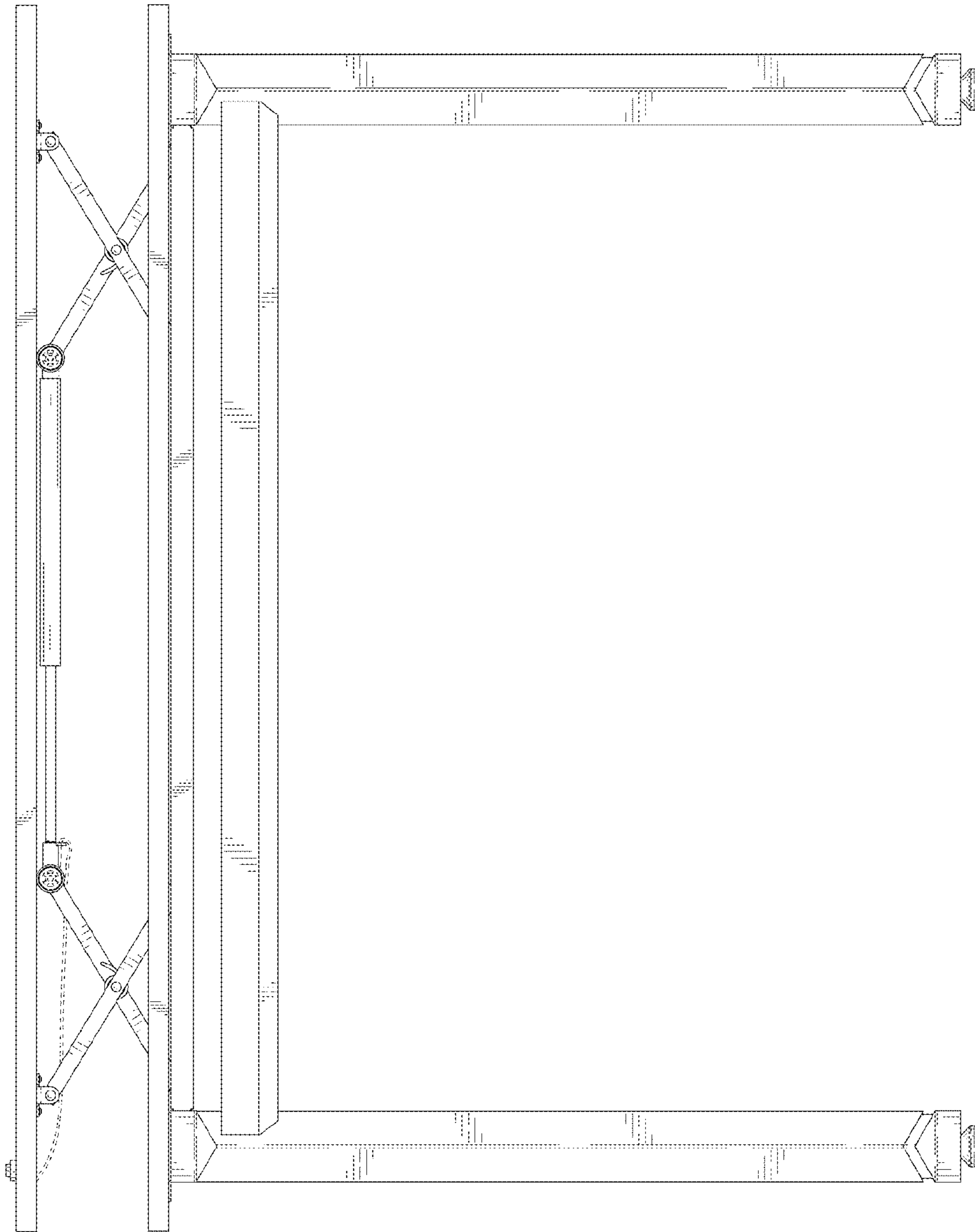


FIG. 3

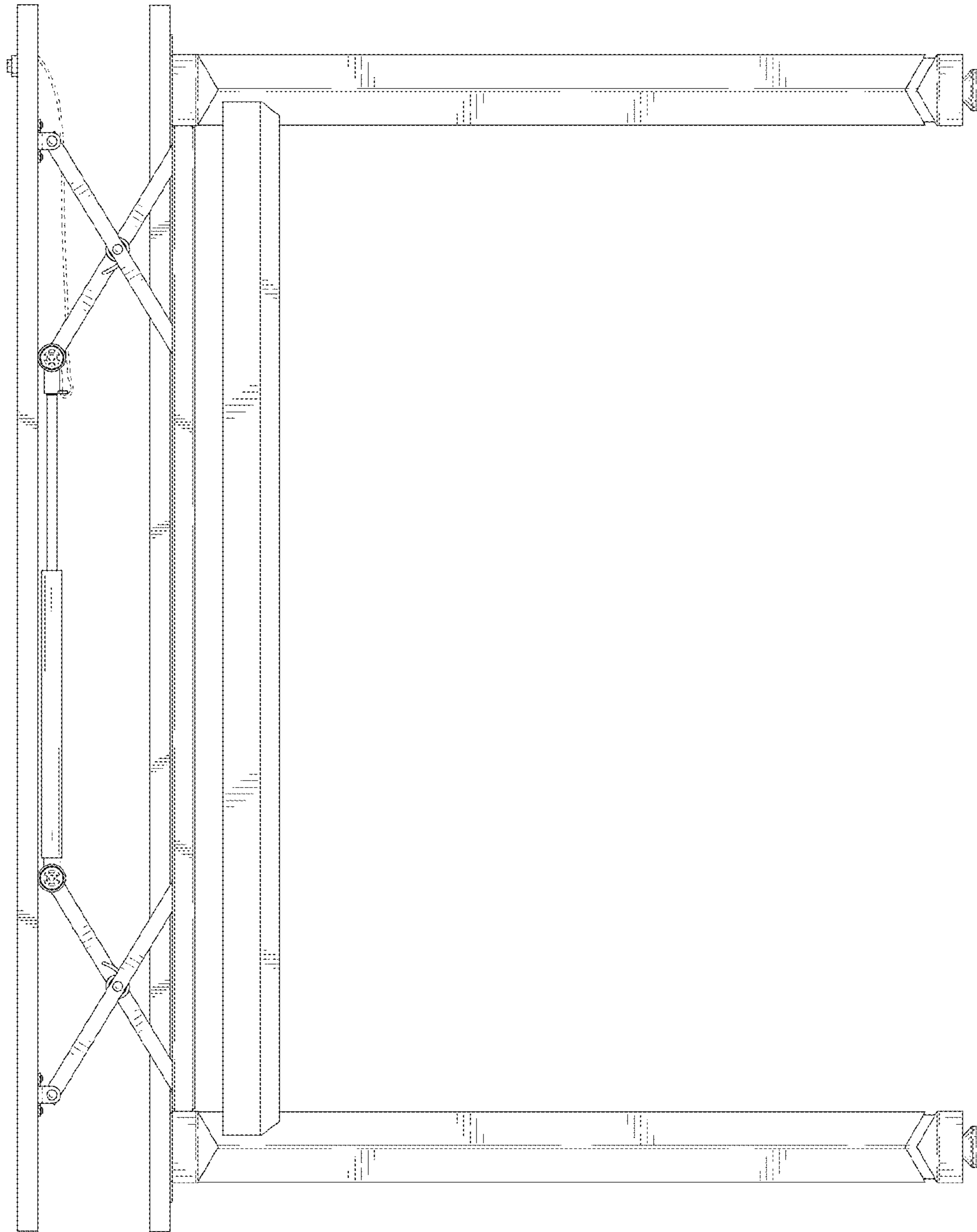


FIG. 4

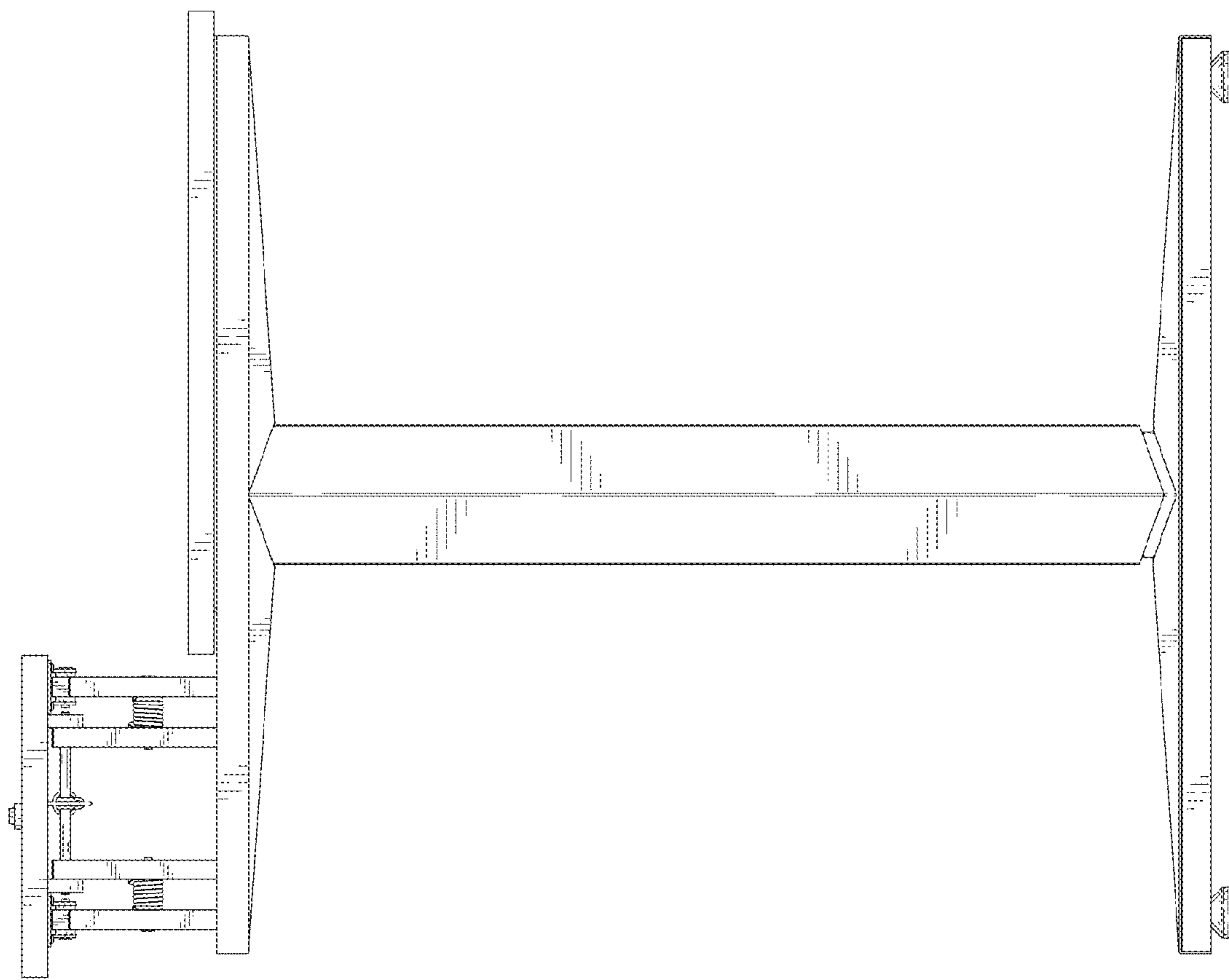


FIG. 5

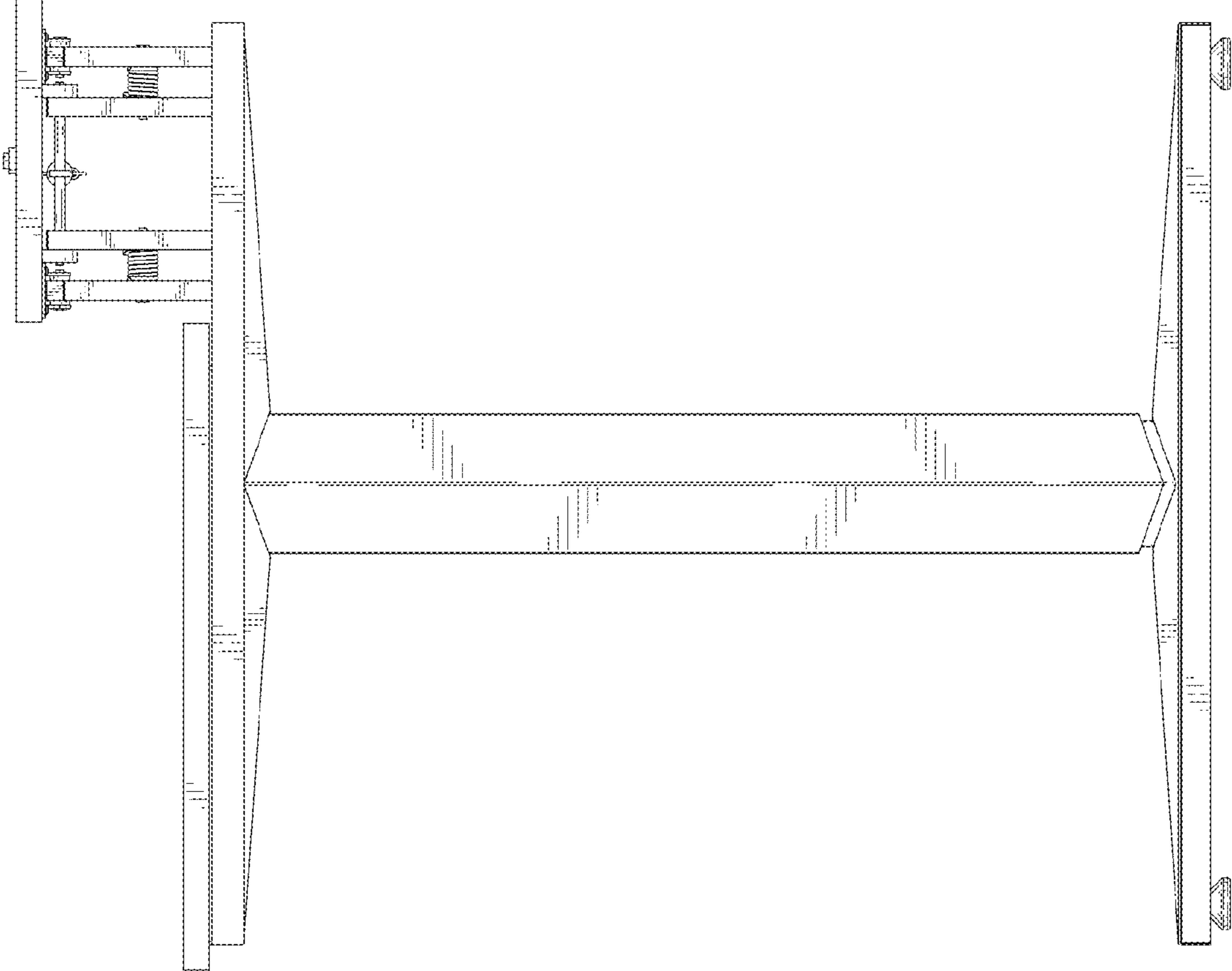


FIG. 6



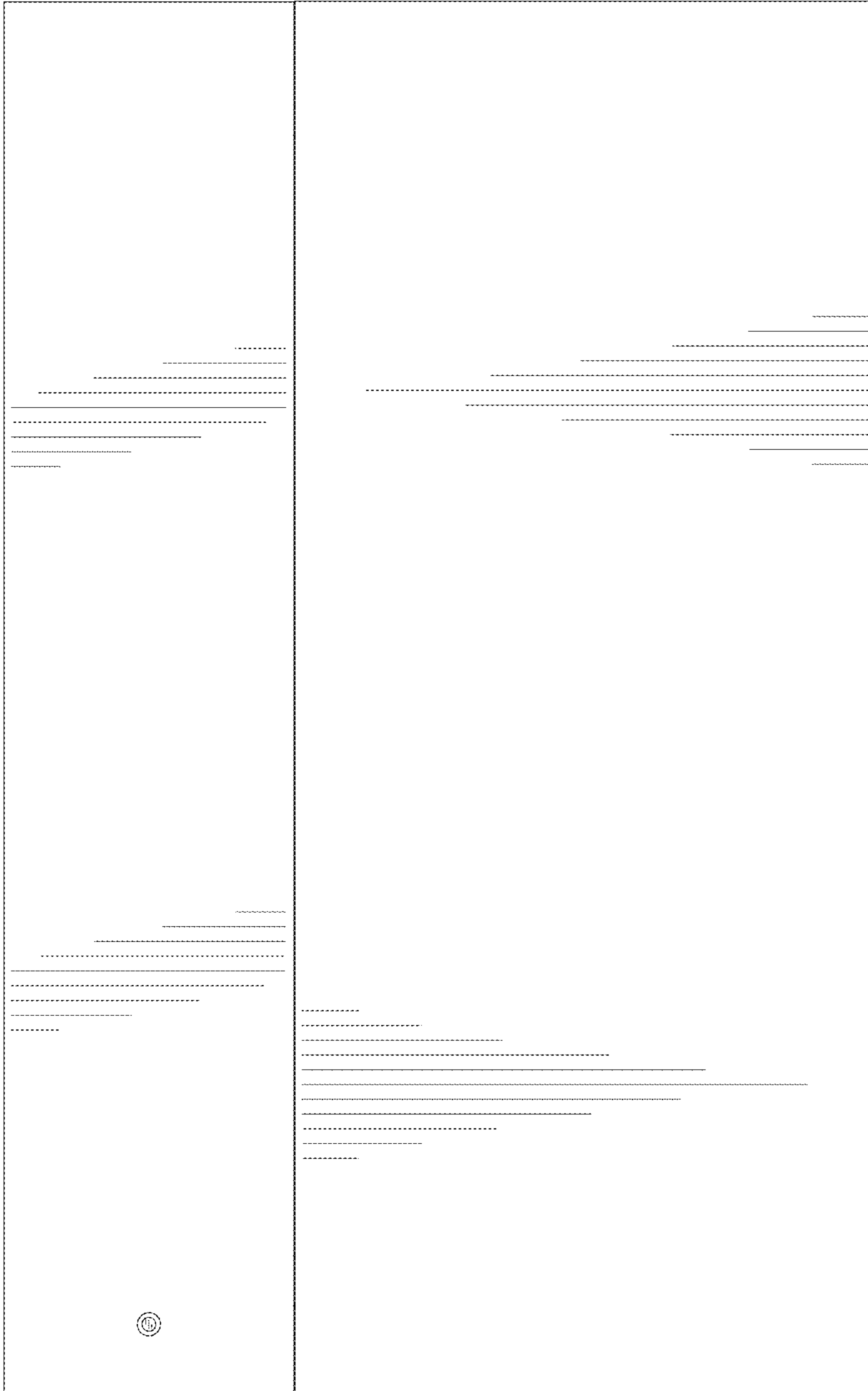


FIG. 7

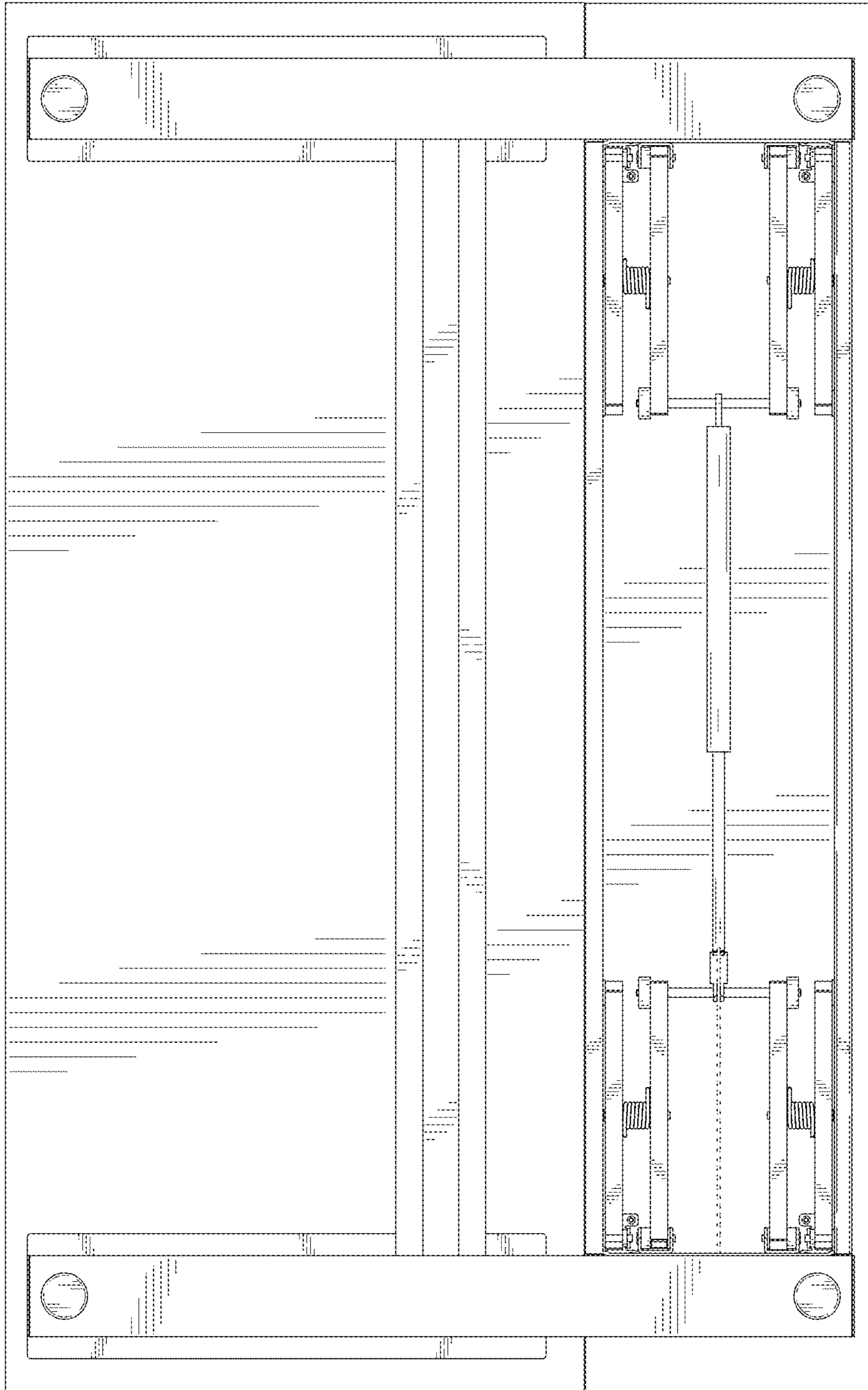


FIG. 8

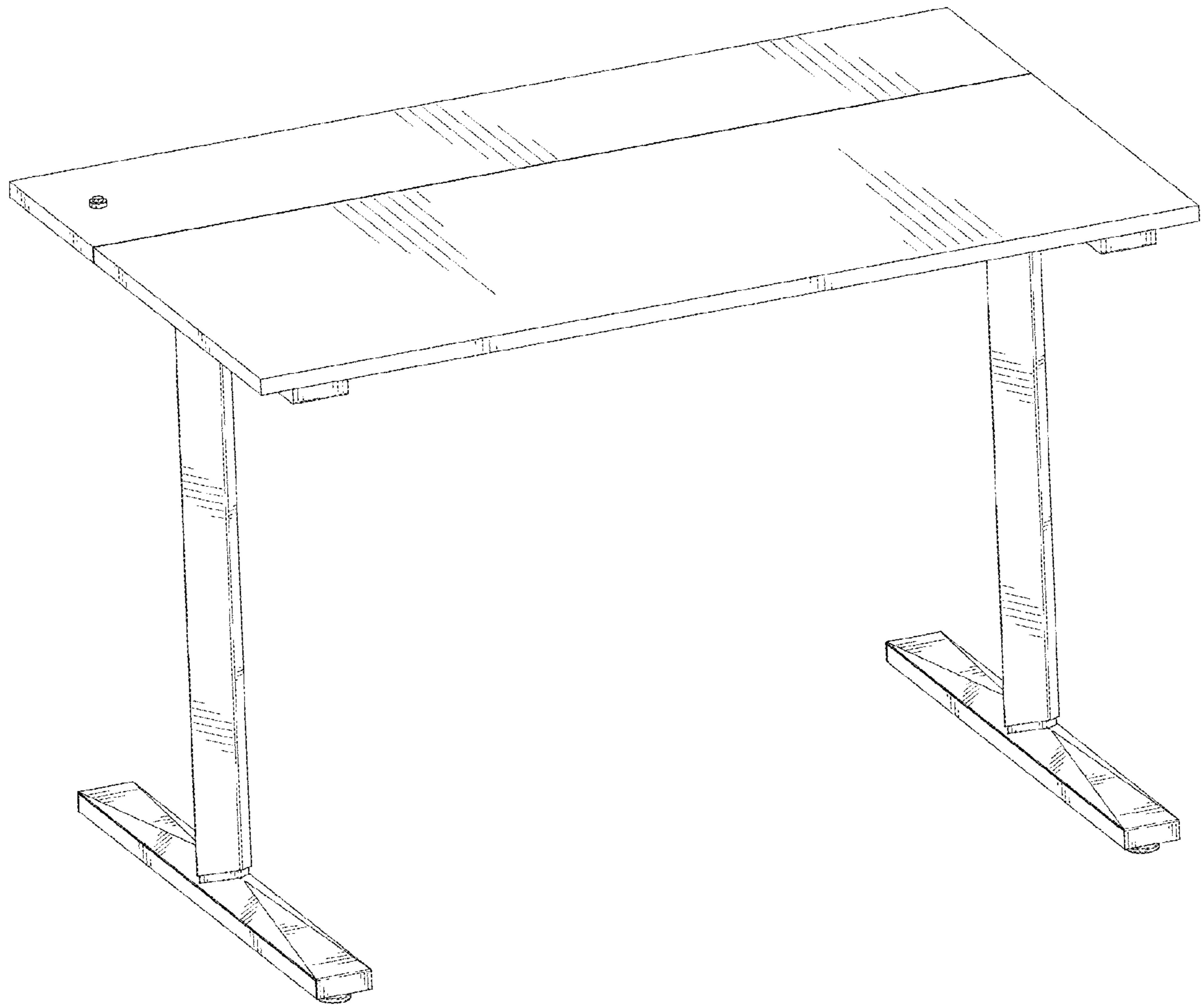


FIG. 9

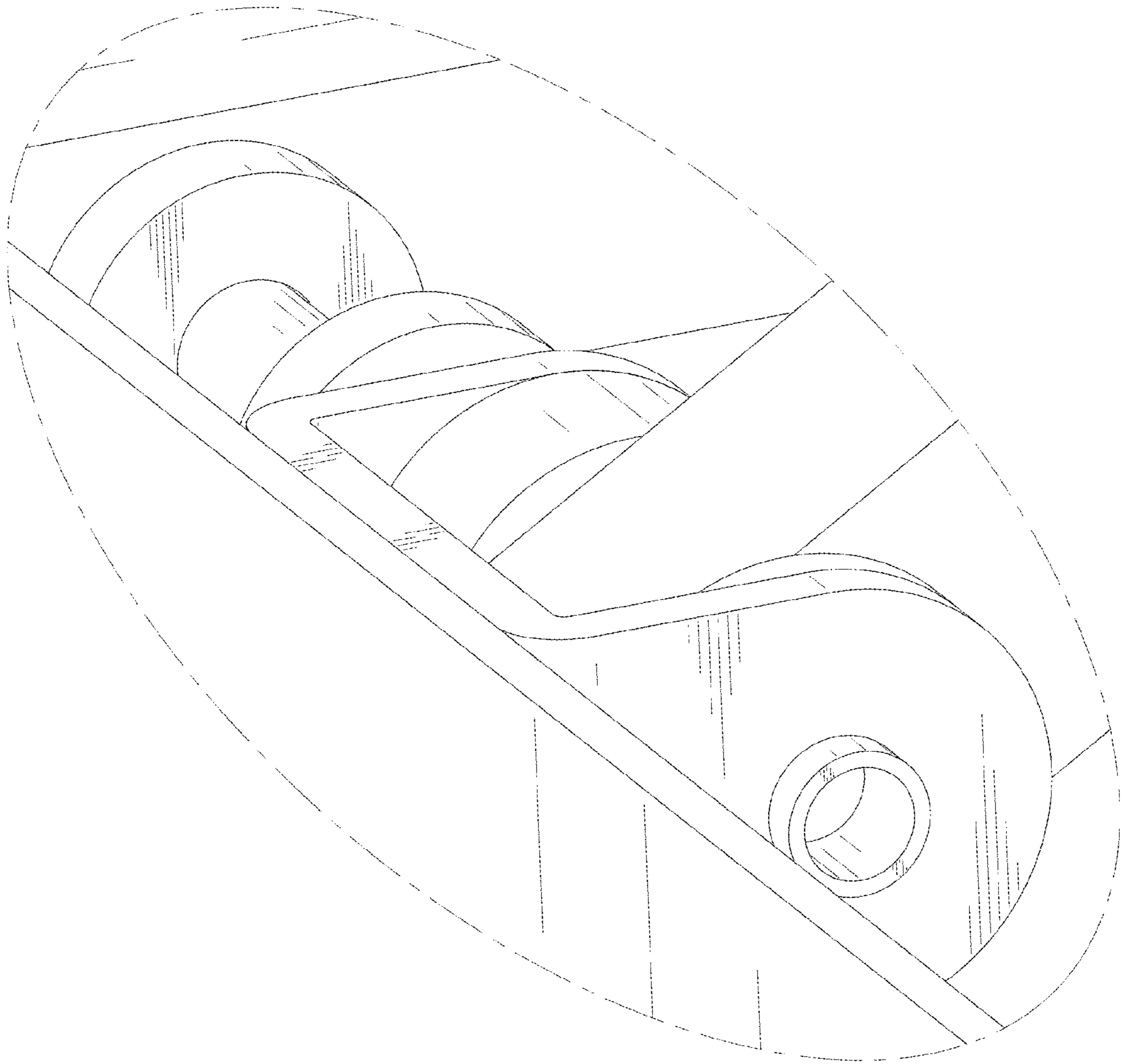


FIG. 10

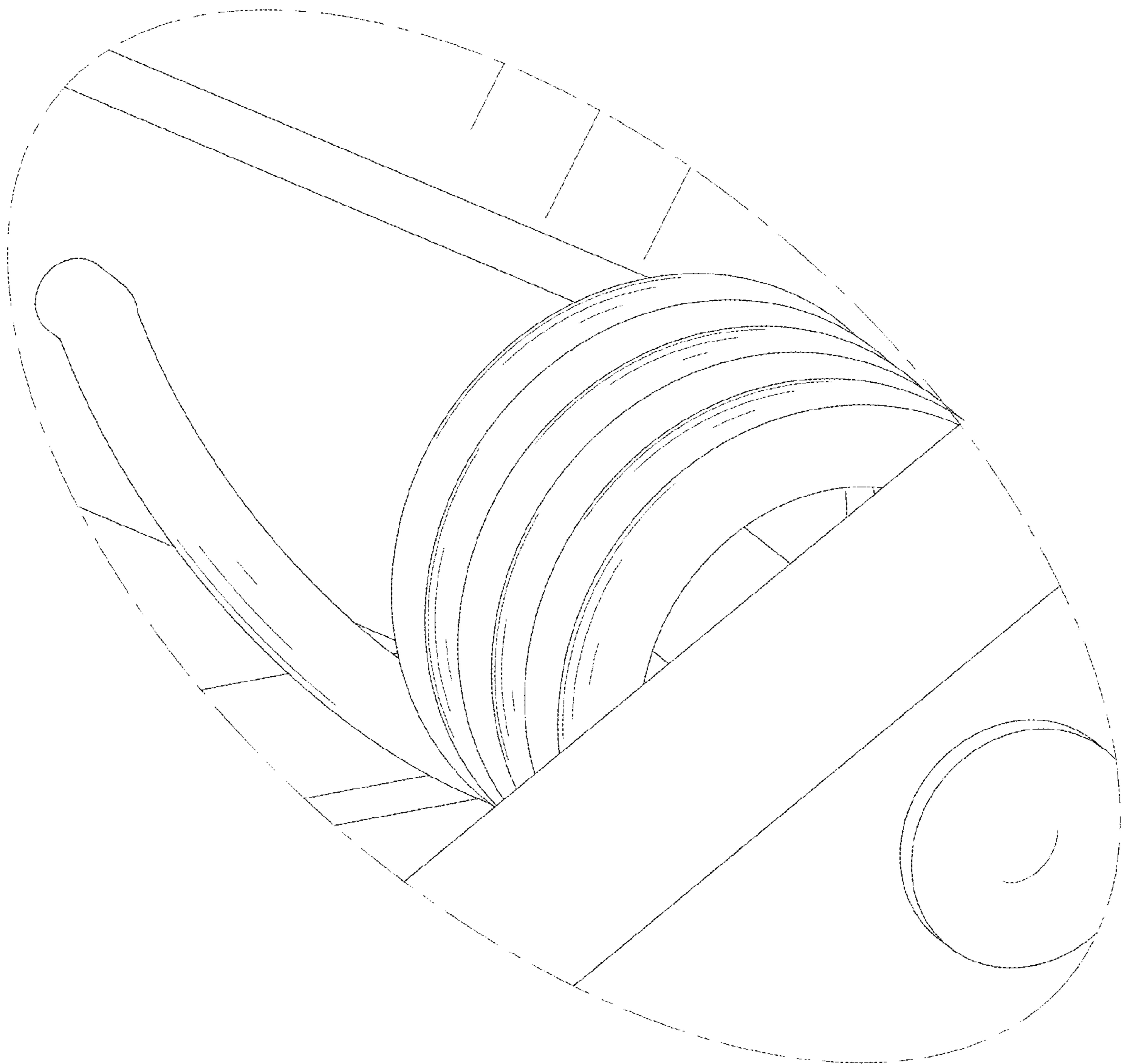


FIG. 11