



US00D966749S

(12) **United States Design Patent** (10) **Patent No.:** **US D966,749 S**  
**Xu** (45) **Date of Patent:** **\*\* Oct. 18, 2022**

(54) **PET CAR SEAT COVER**

*Assistant Examiner* — Clare Ann Gannon

(71) Applicant: **Jianxing Xu**, Yueyang (CN)

(57) **CLAIM**

(72) Inventor: **Jianxing Xu**, Yueyang (CN)

The ornamental design for a pet car seat cover, as shown and described.

(\*\*) Term: **15 Years**

**DESCRIPTION**

(21) Appl. No.: **29/768,713**

(22) Filed: **Feb. 1, 2021**

(51) **LOC (13) Cl.** ..... **06-13**

(52) **U.S. Cl.**  
USPC ..... **D6/611**

(58) **Field of Classification Search**  
USPC ..... D6/610–612; D7/402; D12/221  
CPC ..... A47C 31/10; A47C 31/11; A47C 7/386;  
A47J 37/0786; B60N 2/60; B60N 2/6018;  
A47K 1/06

See application file for complete search history.

FIG. 1 is a perspective view of a pet car seat cover showing my new design;  
FIG. 2 is another perspective view thereof;  
FIG. 3 is a front elevational view thereof;  
FIG. 4 is a rear elevational view thereof;  
FIG. 5 is a left side elevational view thereof;  
FIG. 6 is a right side elevational view thereof;  
FIG. 7 is a top plan view thereof;  
FIG. 8 is a bottom plan view thereof;  
FIG. 9 is an exploded perspective view of the pet car seat cover;  
FIG. 10 is a perspective view of the pet car seat cover where the pet car seat cover is in a first configuration of use;  
FIG. 11 is a perspective view of the pet car seat cover where the pet car seat cover is in a second configuration of use;  
FIG. 12 is a perspective view of the pet car seat cover where the pet car seat cover is in a third configuration of use;  
FIG. 13 is a perspective view of the pet car seat cover where the pet car seat cover is in a third configuration of use;  
FIG. 14 is a perspective view of the pet car seat cover where the pet car seat cover is in a fourth configuration of use;  
FIG. 15 is an enlarged view of portion 15 shown in FIG. 1;  
FIG. 16 is an enlarged view of portion 16 shown in FIG. 1;  
FIG. 17 is an enlarged view of portion 17 shown in FIG. 1;  
FIG. 18 is an enlarged view of portion 18 shown in FIG. 3;  
and,  
FIG. 19 is an enlarged view of portion 19 shown in FIG. 3.  
The broken lines in the drawings depict environment of the pet car seat cover that form no part of the claimed design.

(56) **References Cited**

U.S. PATENT DOCUMENTS

9,845,033 B1 \* 12/2017 Umlauf ..... B60N 2/36  
D851,963 S \* 6/2019 Fischer-Livneh .... B60N 2/6018  
D6/611

(Continued)

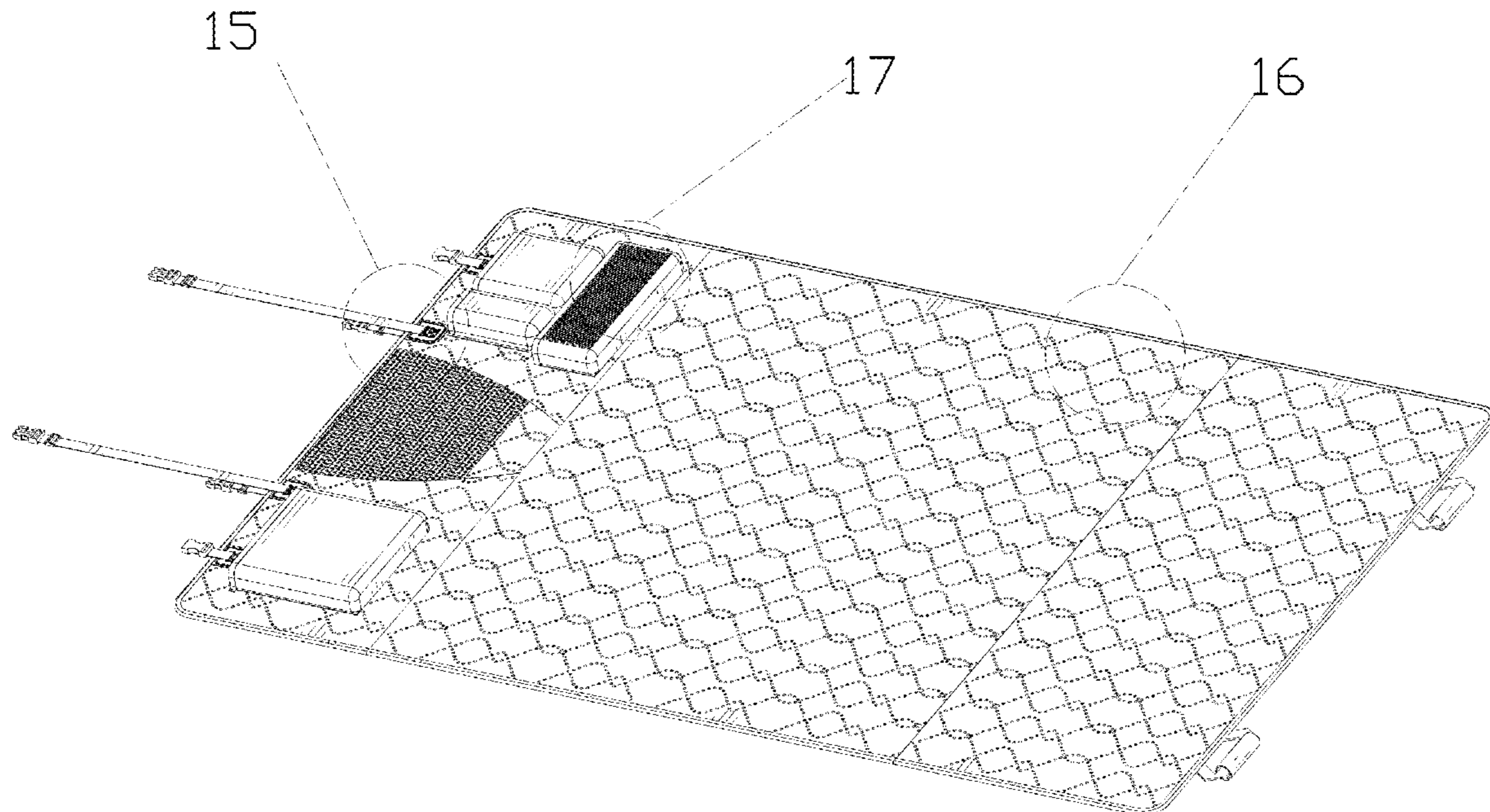
OTHER PUBLICATIONS

Toozey Dog Seat Cover. Sold on amazon.com. Apr. 29, 2021. Accessed on Jul. 14, 2022. <<https://www.amazon.com/dp/B093T3DJDX/>>. (Year: 2021).\*

(Continued)

*Primary Examiner* — Kevin K Rudzinski

**1 Claim, 19 Drawing Sheets**



(56)

**References Cited**

U.S. PATENT DOCUMENTS

D868,503	S *	12/2019	Fu	.....	D6/611
D880,198	S *	4/2020	Umlauf	.....	D6/611
D883,716	S *	5/2020	Hu	.....	D6/611
D923,974	S *	7/2021	Xu	.....	D6/611
D932,215	S *	10/2021	Zheng	.....	D6/611
D946,313	S *	3/2022	Xiao	.....	D6/611
D946,314	S *	3/2022	Xiao	.....	D6/611
2009/0091165	A1 *	4/2009	Thompson	.....	B60N 2/6009
					297/228.12
2016/0318430	A1 *	11/2016	Umlauf	.....	B60N 2/90
2019/0106034	A1 *	4/2019	Leon Guerrero	....	B60N 2/3045
2019/0327932	A1 *	10/2019	Adrain	.....	B60N 2/6018
2021/0070202	A1 *	3/2021	Li	.....	B60N 2/6027
2022/0061264	A1 *	3/2022	Pan	.....	A01K 1/0272

OTHER PUBLICATIONS

Dog Seat Cover XXL. Sold on amazon.com. Apr. 15, 2021. Accessed on Jul. 14, 2022. <<https://www.amazon.com/KIMHY-Zippered-Protection-Doors-Backseat-Convertible/dp/B092PR8LPF/>>. (Year: 2021).\*

iBuddy Dog Seat cover. Sold on amazon.com. Sep. 7, 2018. Accessed on Jul. 13, 2022. <<https://www.amazon.com/dp/B07FXLZ9NH/?th=1>>. (Year: 2018).\*

\* cited by examiner

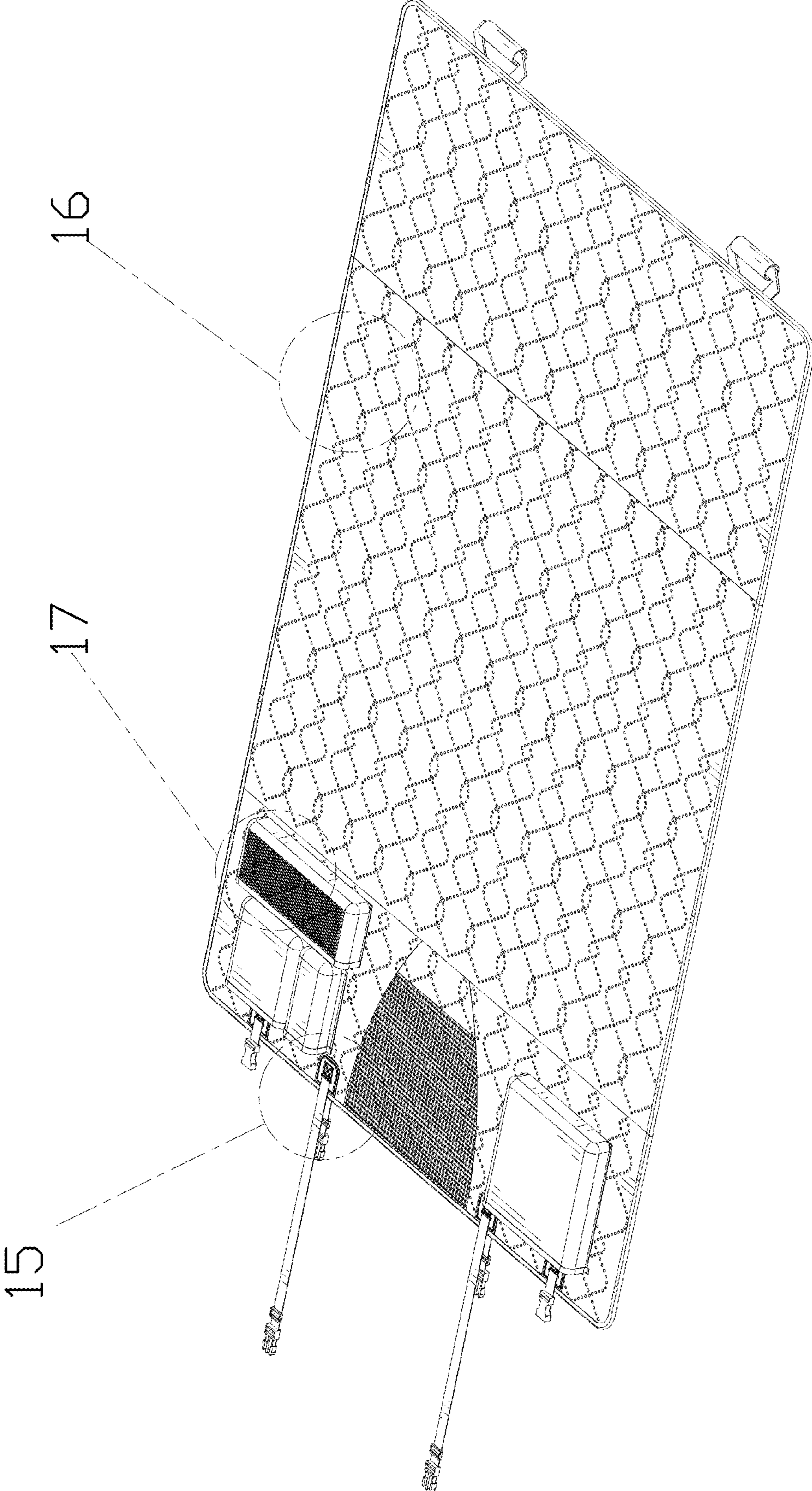


FIG. 1

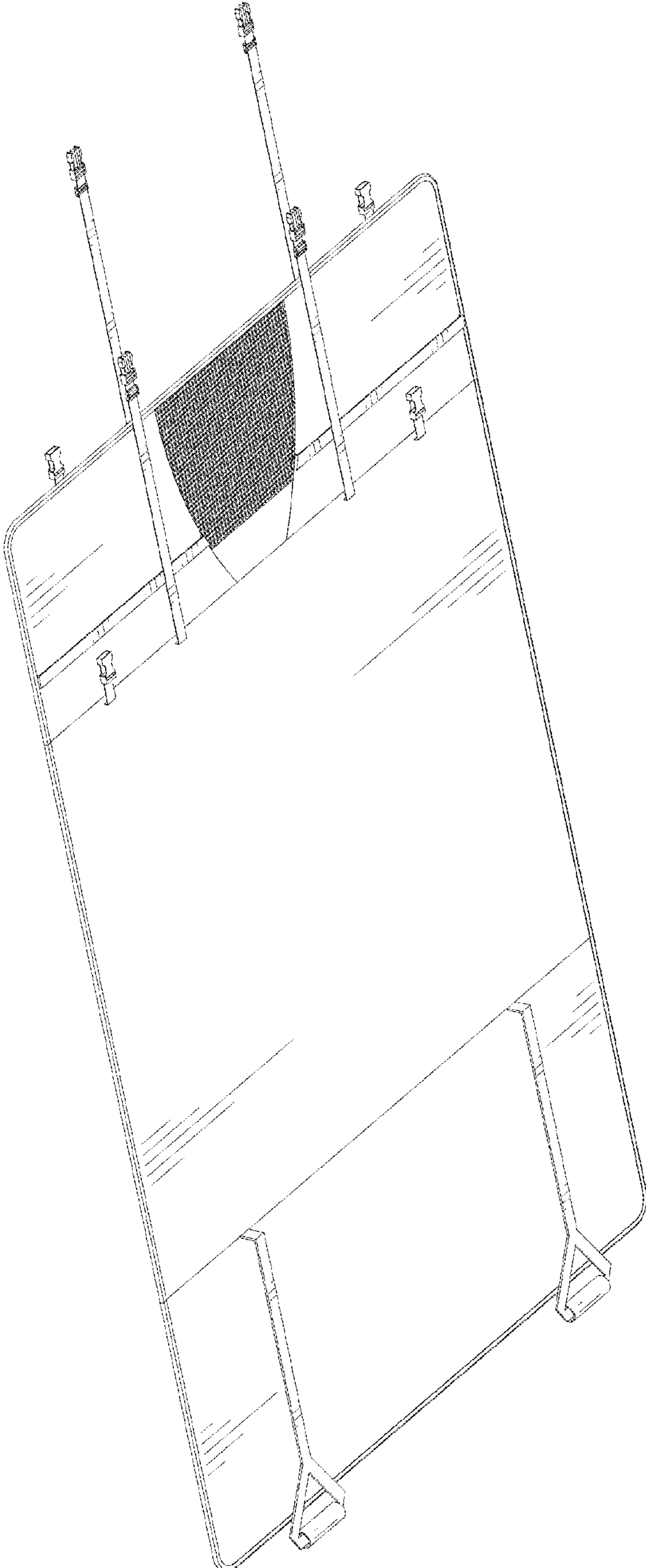
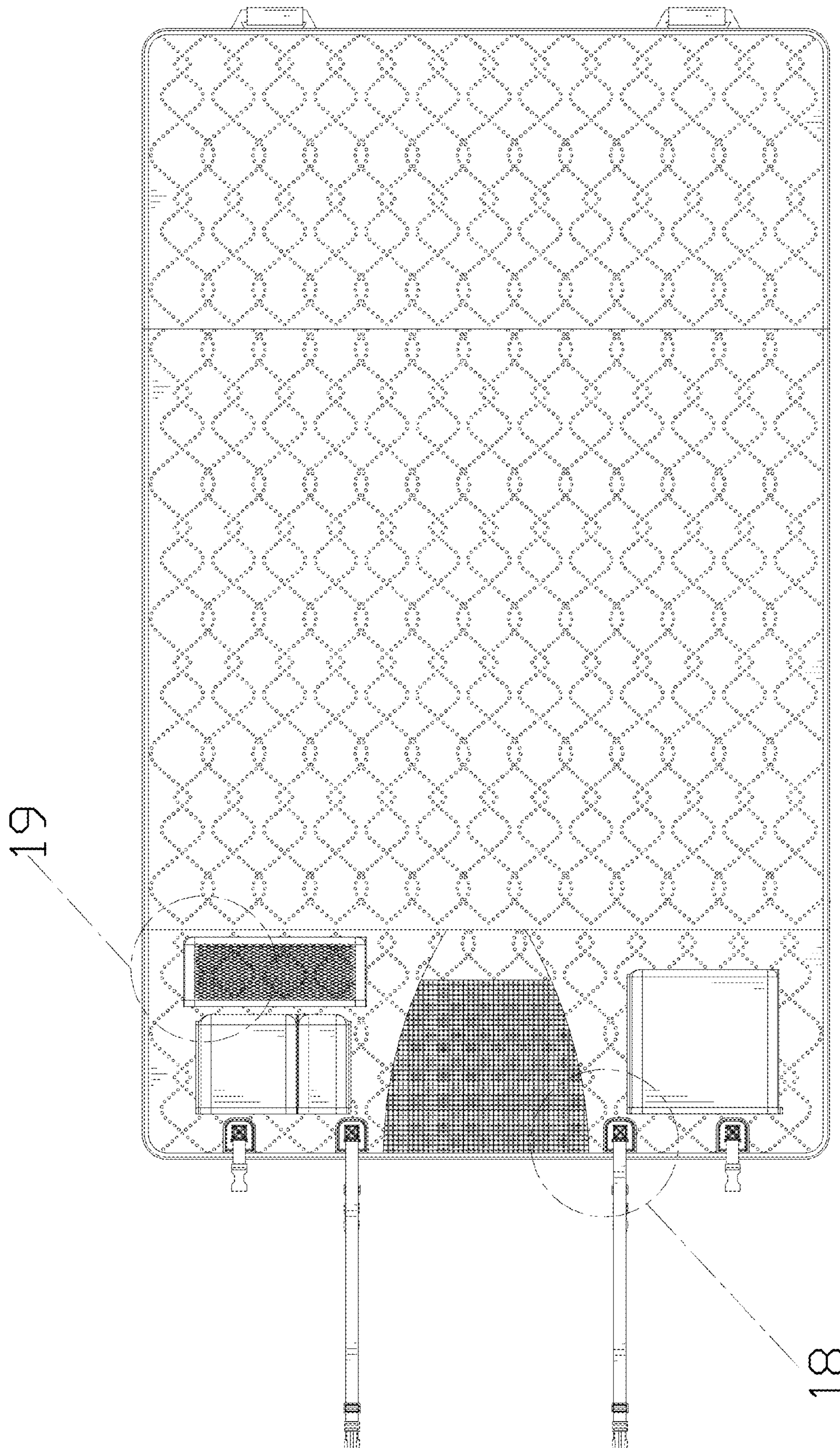


FIG. 2



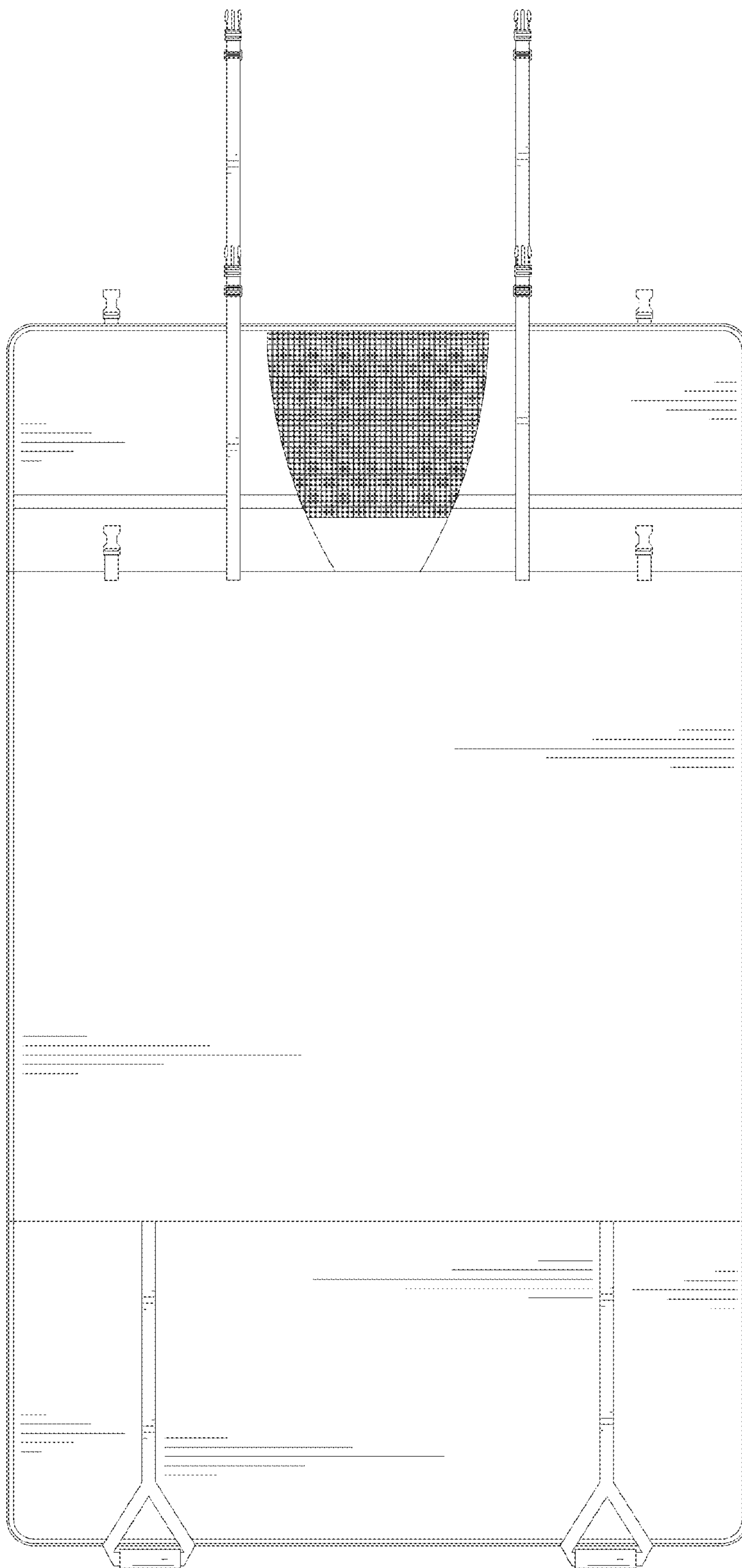


FIG. 4

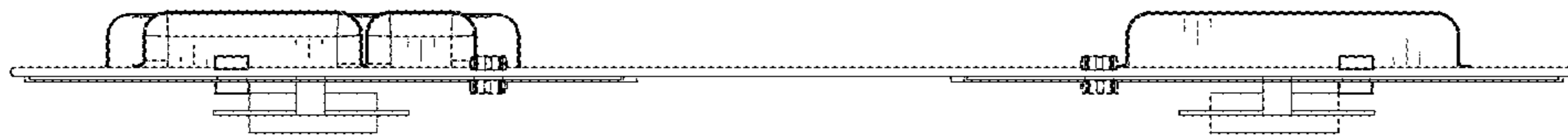


FIG. 5

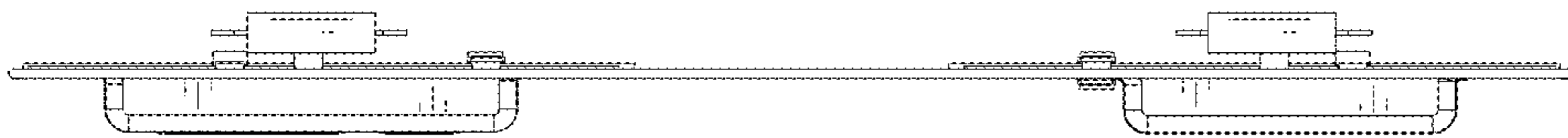


FIG. 6



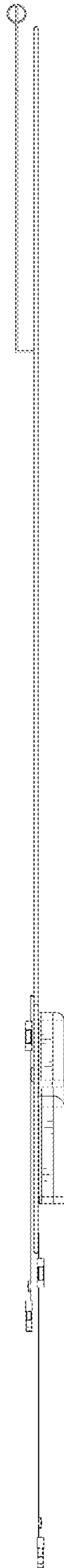


FIG. 7

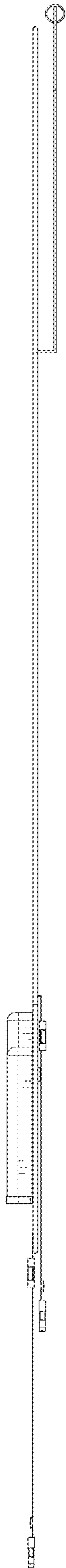


FIG. 8

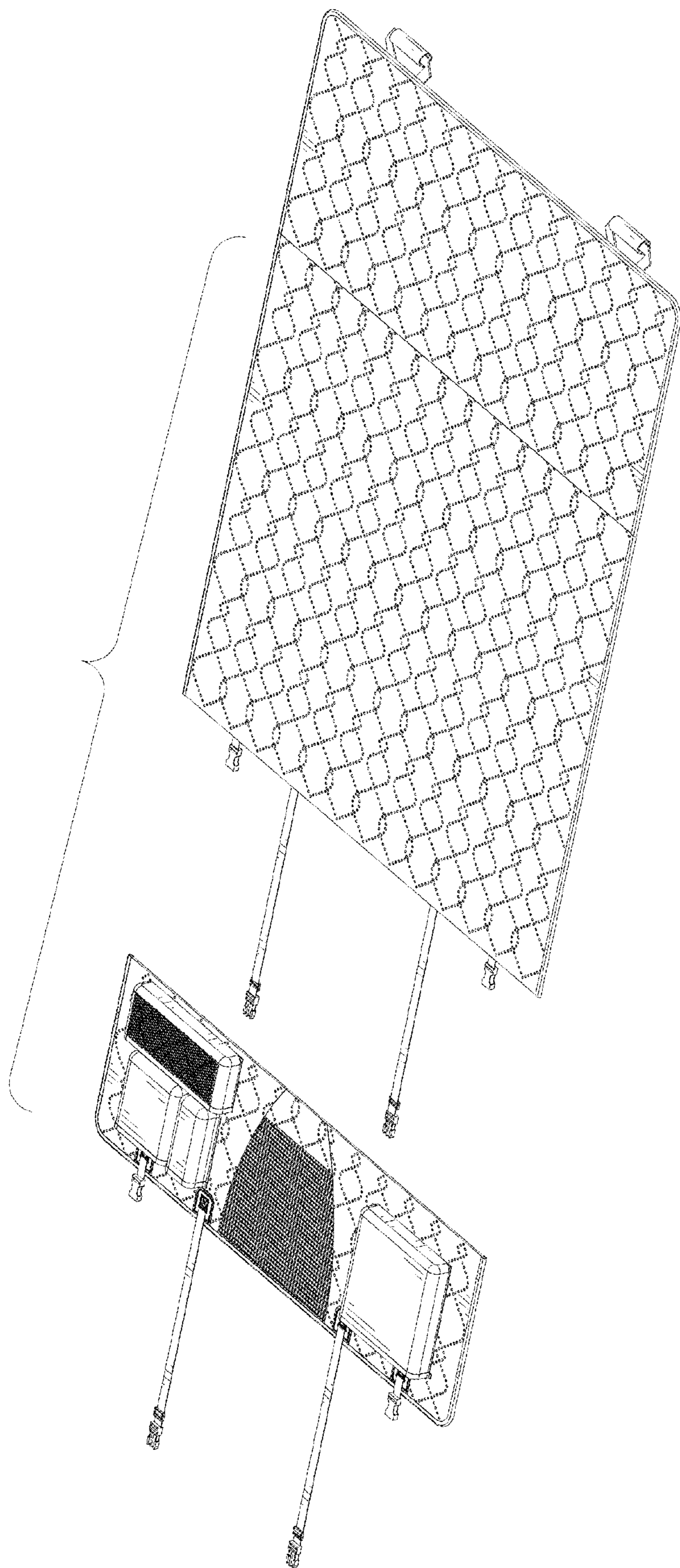


FIG. 9

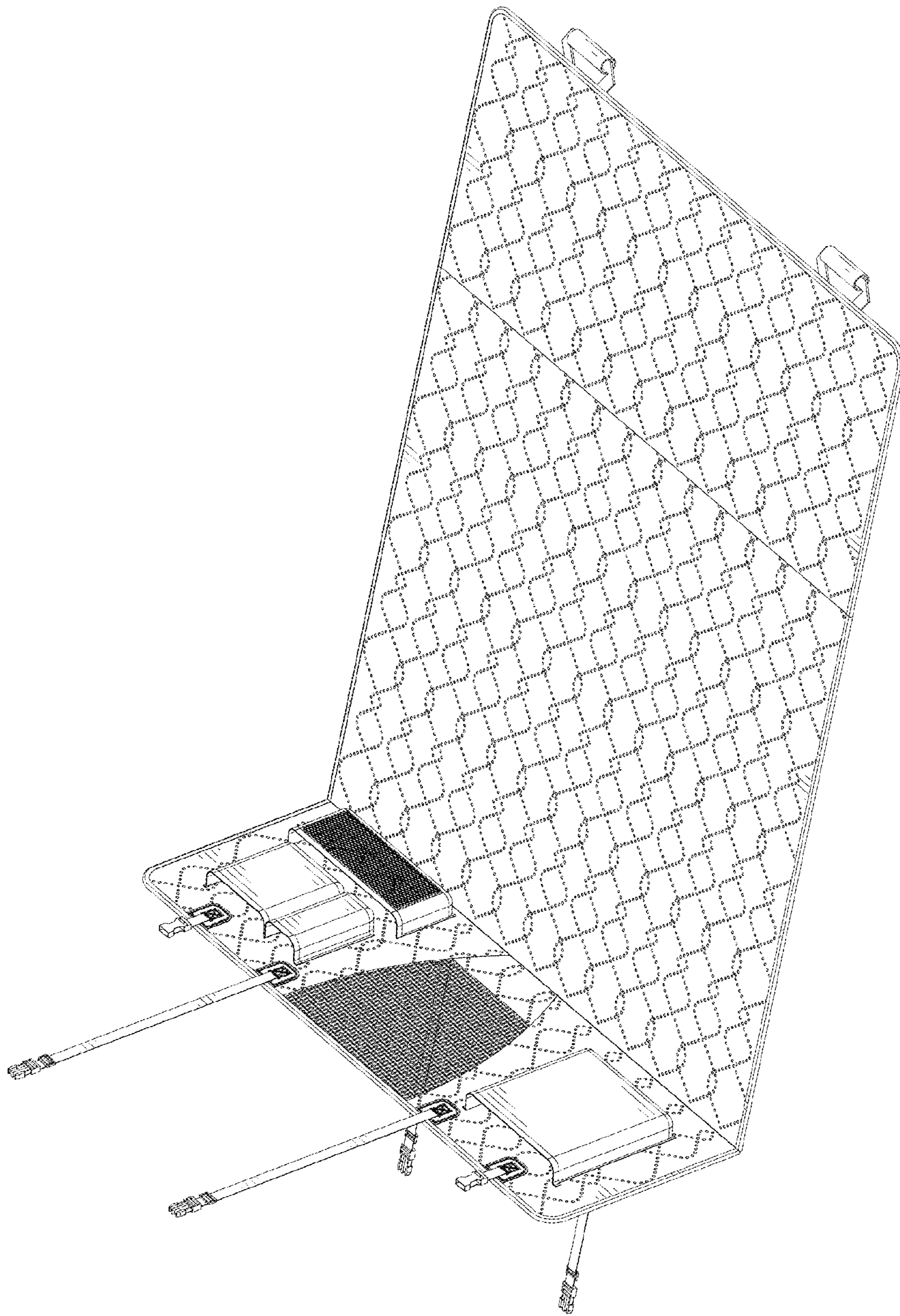


FIG. 10

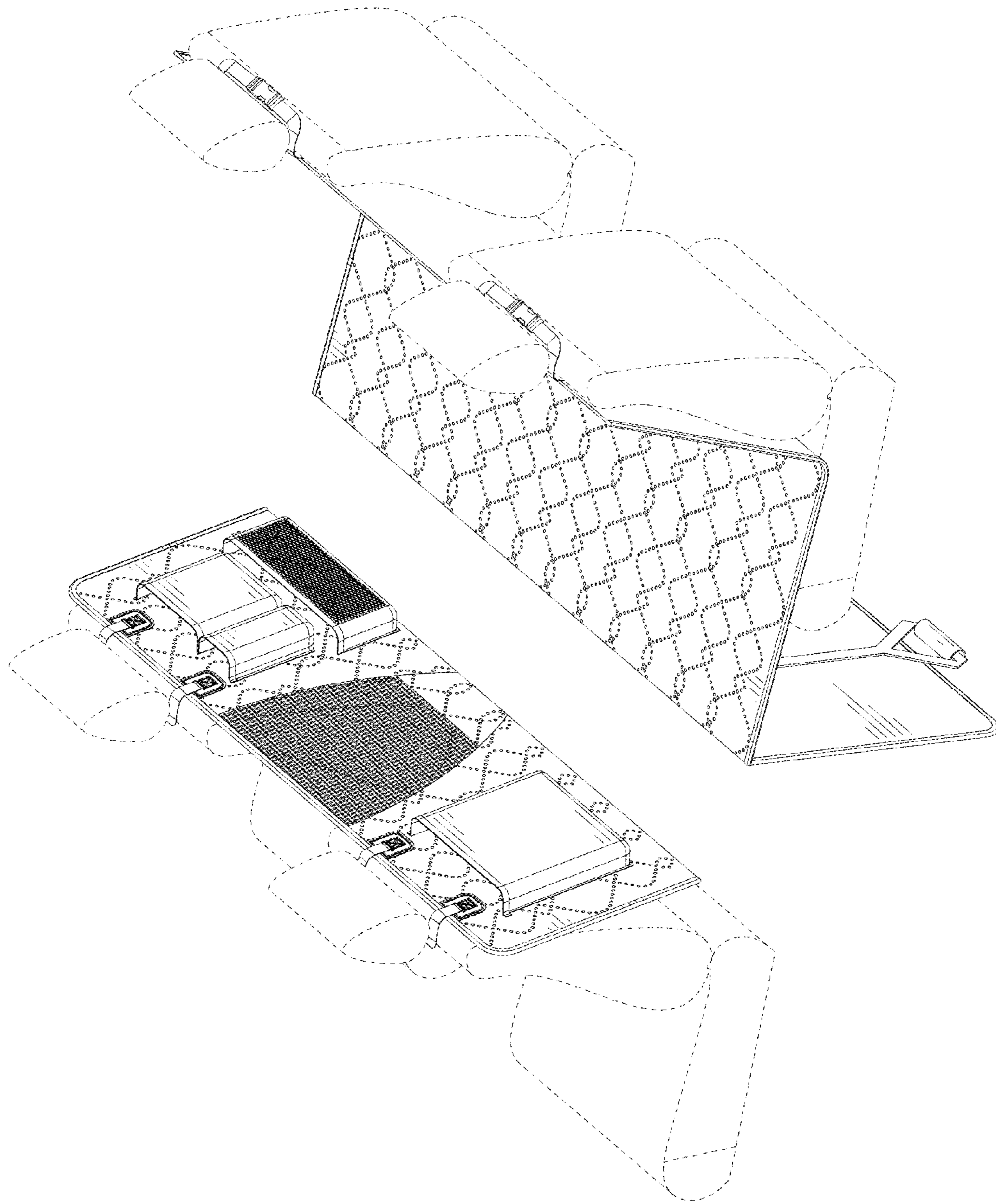


FIG. 11

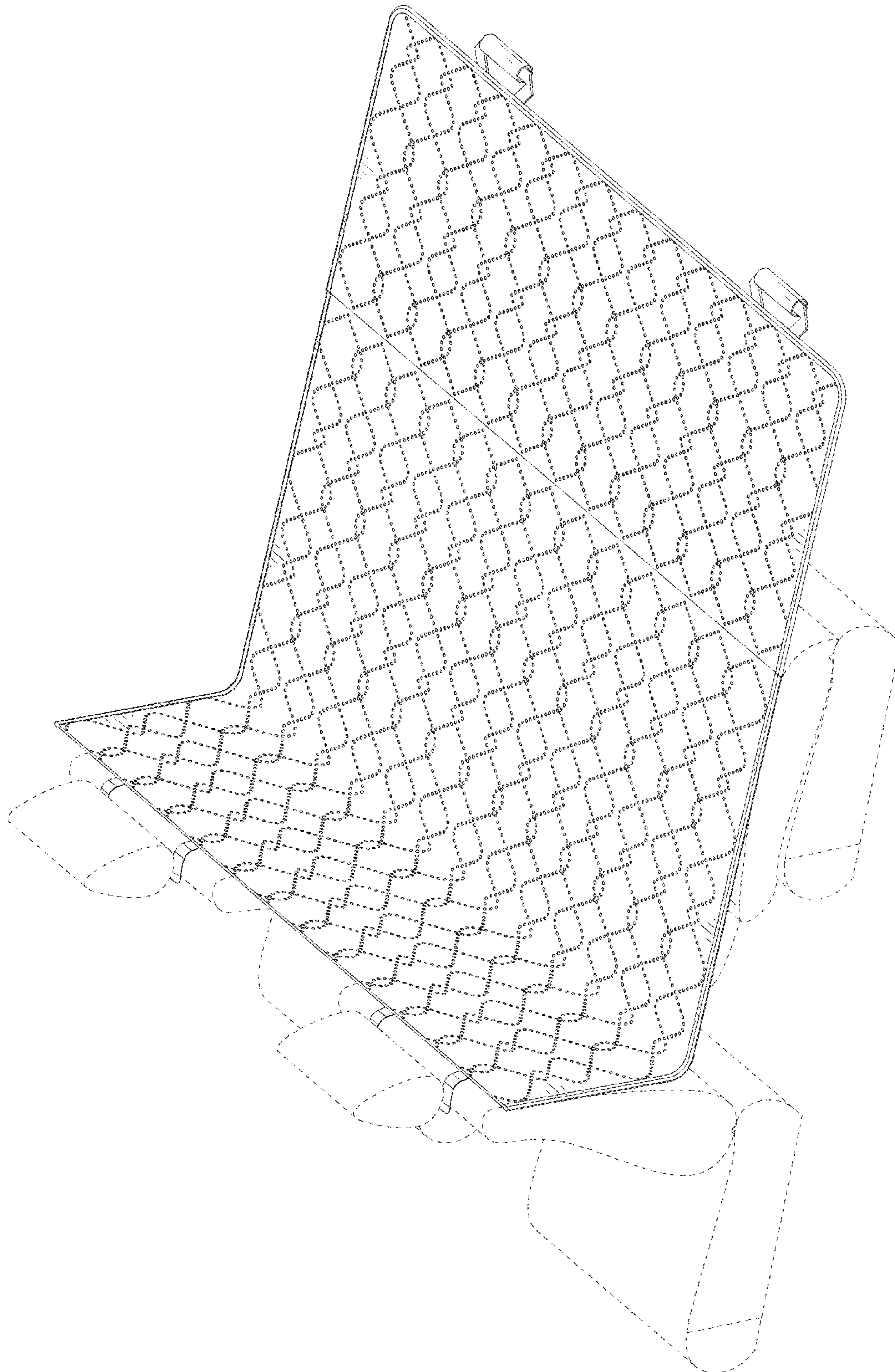


FIG. 12

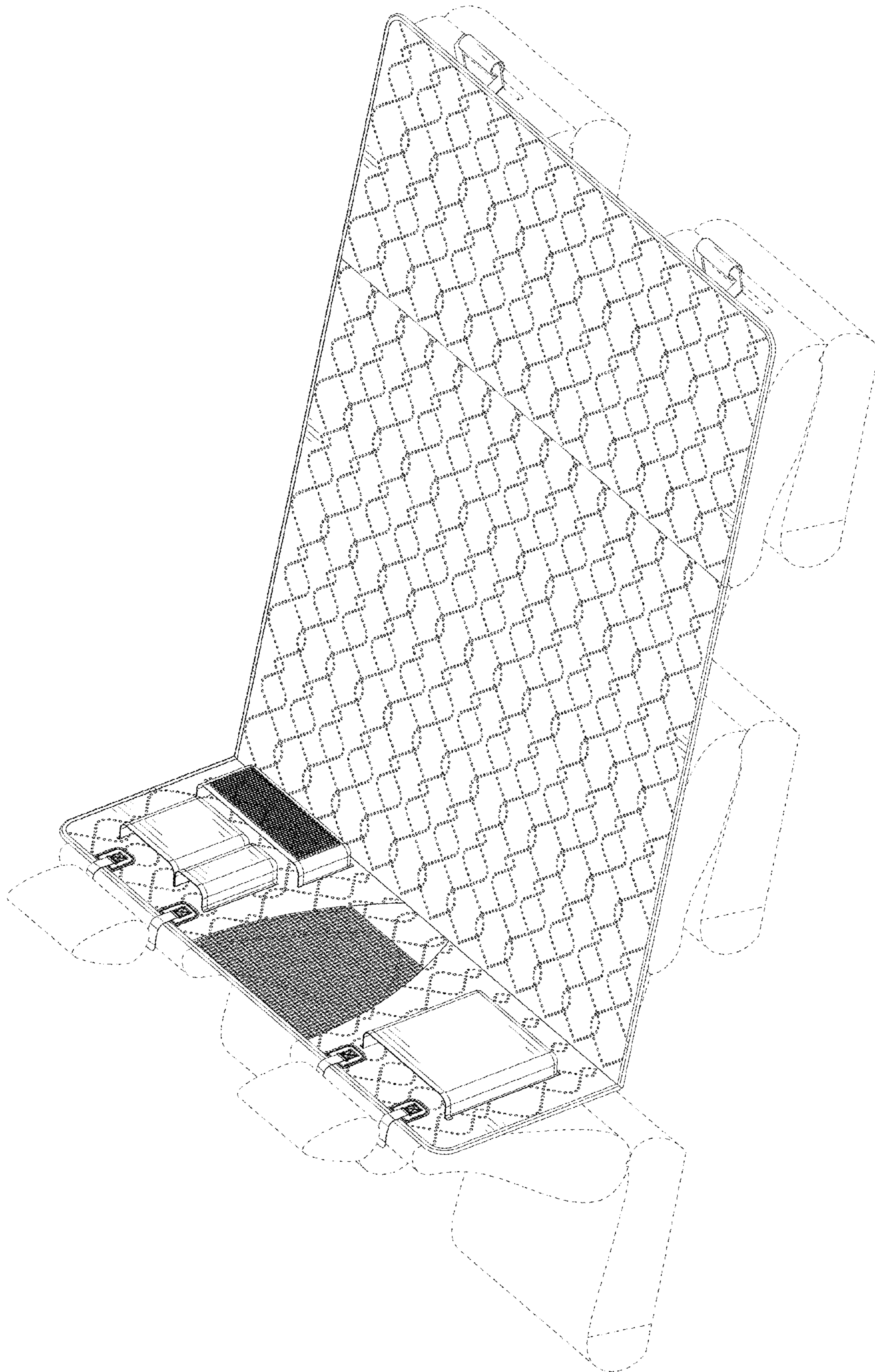


FIG. 13

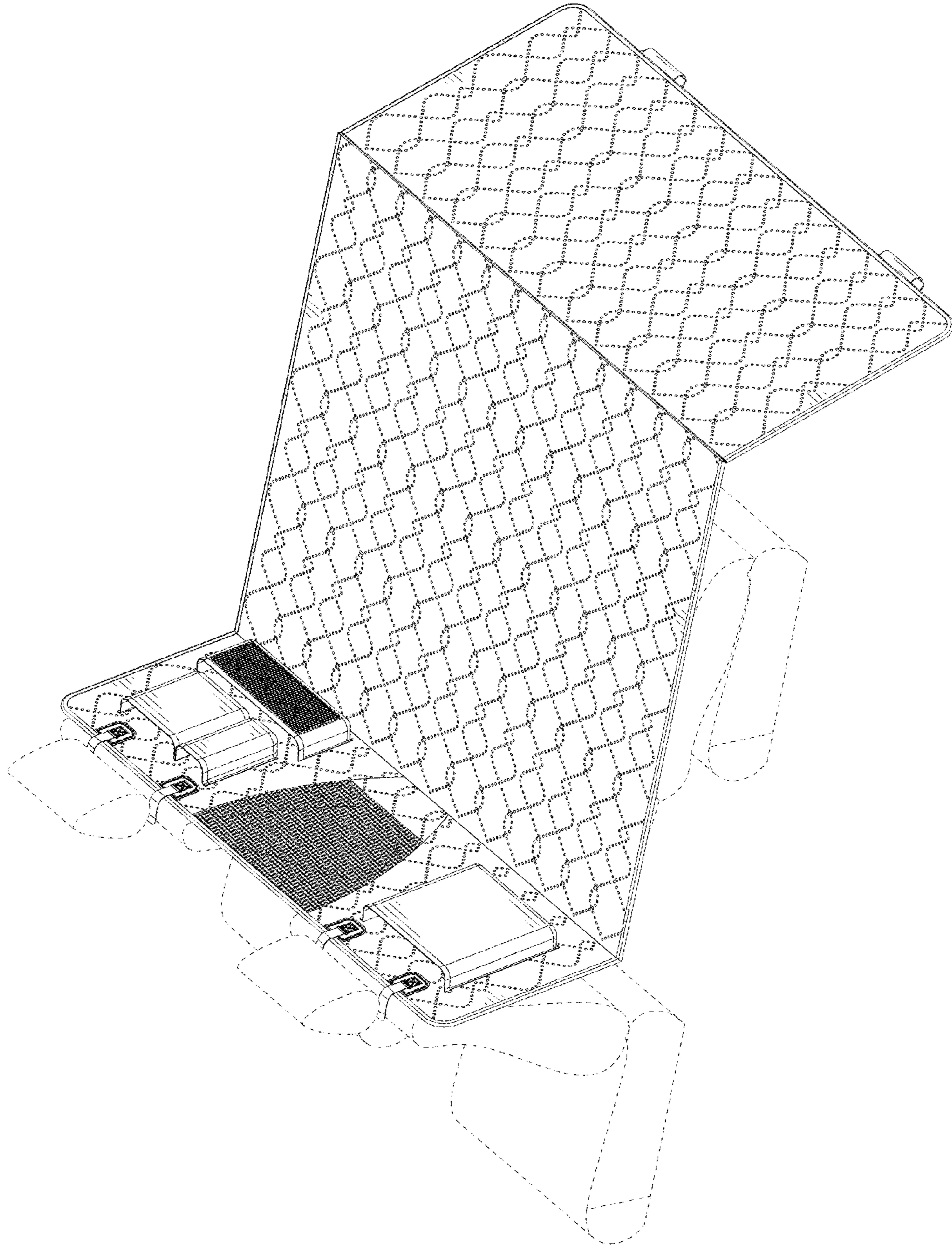


FIG. 14



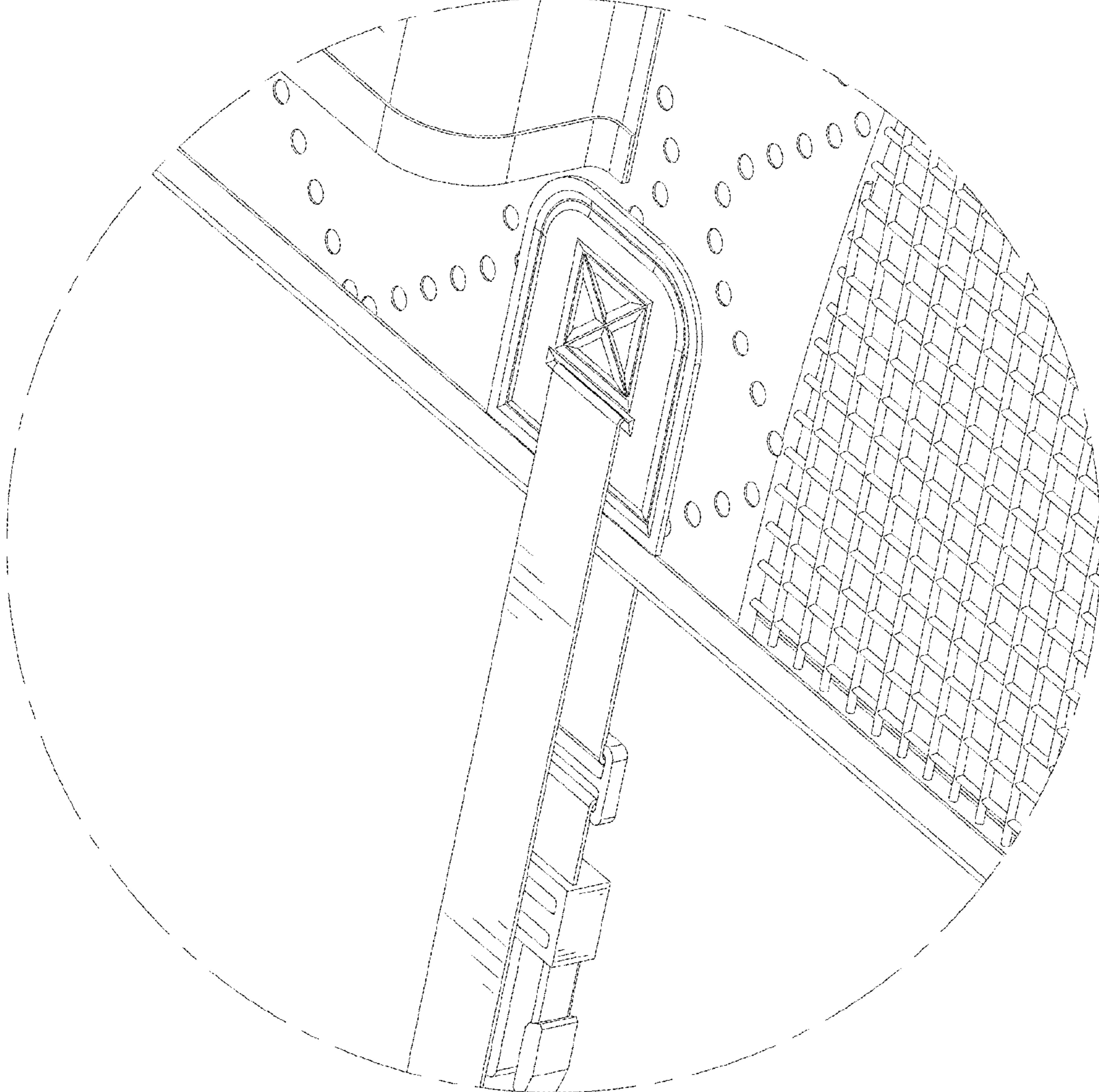


FIG. 15

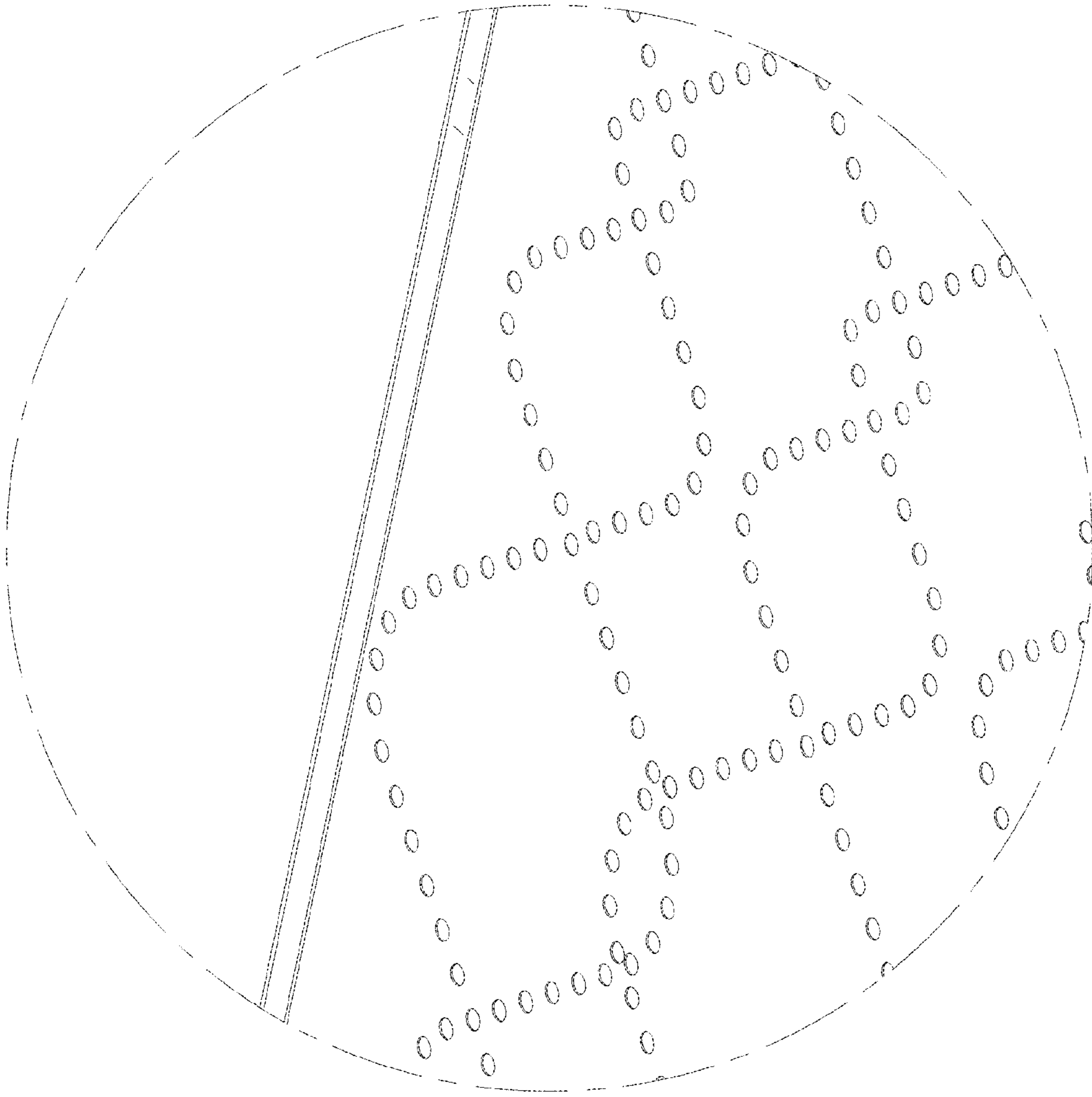


FIG. 16

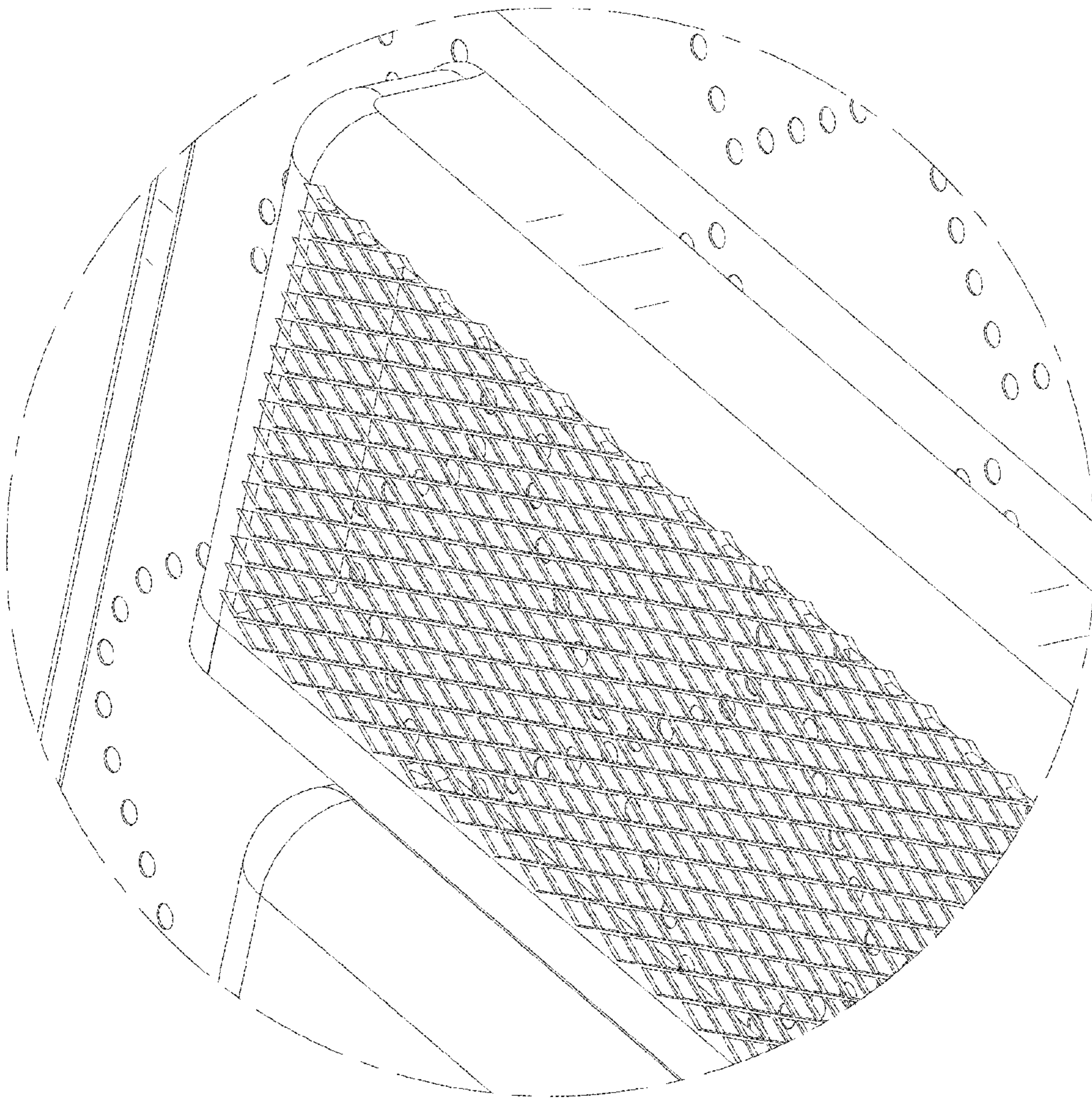


FIG. 17

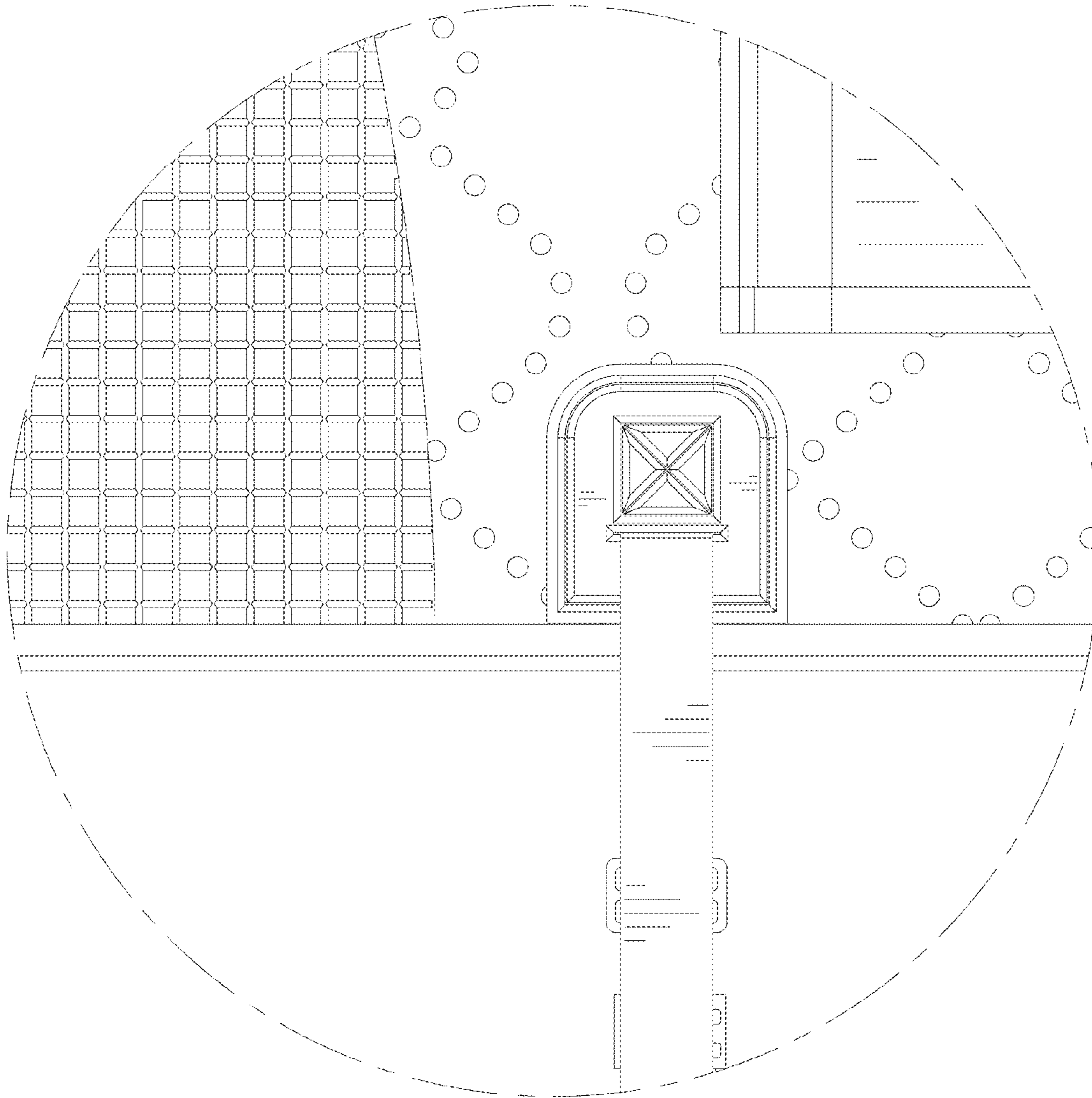


FIG. 18

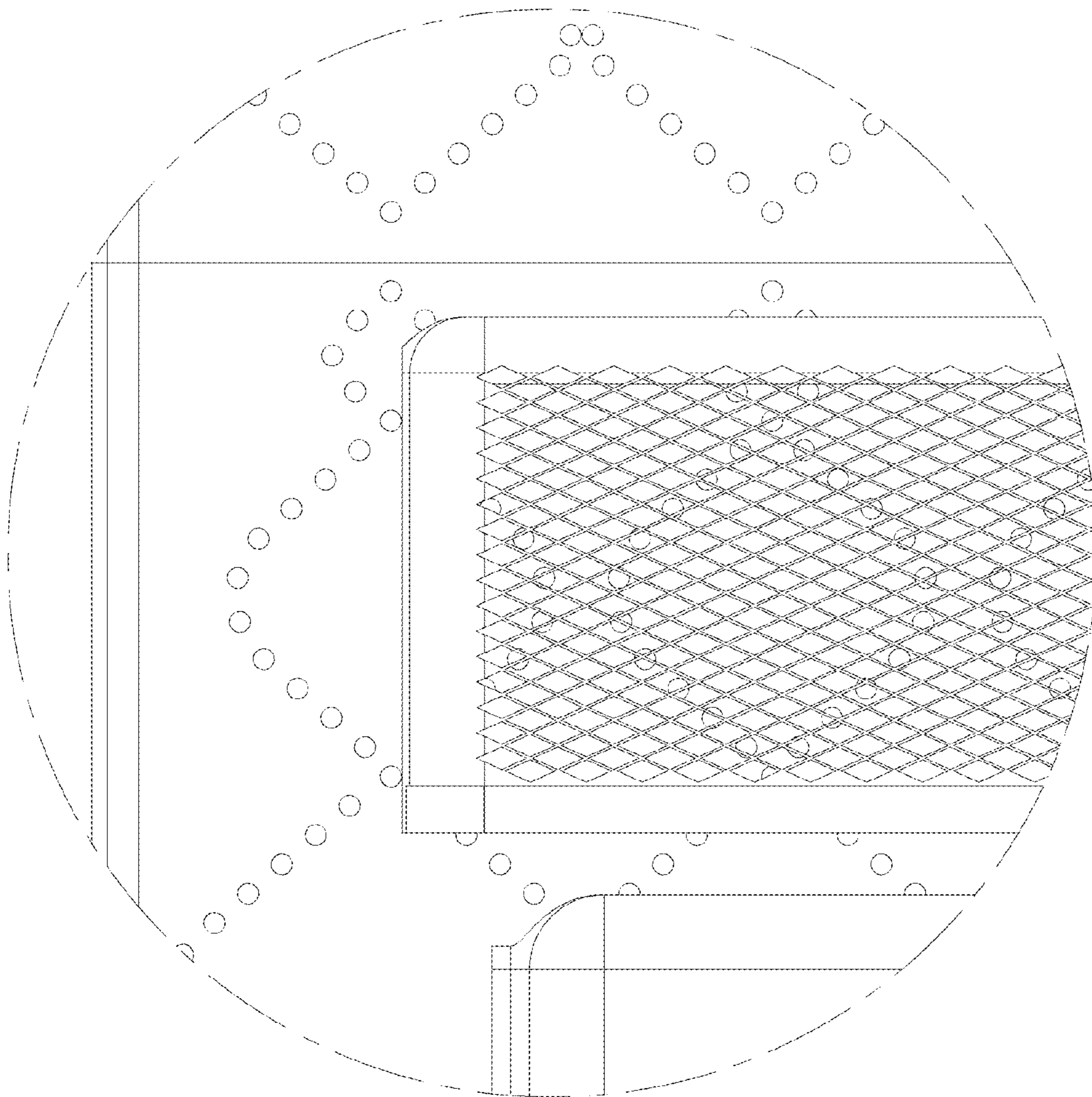


FIG. 19