



US00D966748S

(12) **United States Design Patent**
Shatzkes

(10) **Patent No.:** **US D966,748 S**

(45) **Date of Patent:** **** Oct. 18, 2022**

(54) **SCREEN FOR A CHAIR**
(71) Applicant: **Daniel Jeremy Shatzkes**, Brooklyn,
NY (US)
(72) Inventor: **Daniel Jeremy Shatzkes**, Brooklyn,
NY (US)

D700,460 S 3/2014 Bovay et al.
D735,496 S * 8/2015 Mihaly D6/611
D737,600 S 9/2015 Bovay et al.
9,383,113 B1 * 7/2016 Renwick A47C 7/666
10,758,053 B2 * 9/2020 Bovay A47C 7/62
D913,016 S * 3/2021 Ciccarelli D6/611
D954,783 S * 6/2022 Zhang D6/611

* cited by examiner

(**) Term: **15 Years**

Primary Examiner — Kevin K Rudzinski
Assistant Examiner — Clare Ann Gannon
(74) *Attorney, Agent, or Firm* — Dunlap Bennett &
Ludwig, PLLC

(21) Appl. No.: **29/652,391**

(22) Filed: **Jul. 31, 2020**

(51) **LOC (13) Cl.** **06-13**

(52) **U.S. Cl.**
USPC **D6/611**

(58) **Field of Classification Search**
USPC D6/610–612; D7/402; D12/221
CPC A47C 31/10; A47C 31/11; A47C 7/386;
A47J 37/0786; B60N 2/60; B60N 2/6018;
A47K 1/06

See application file for complete search history.

(56) **References Cited**

U.S. PATENT DOCUMENTS

D137,051 S * 1/1944 Hughes A47C 7/666
D6/611
D294,793 S * 3/1988 Luccisano D6/601
4,960,293 A * 10/1990 Bottinick B60R 21/026
280/749
D425,357 S 5/2000 Waring
6,170,100 B1 1/2001 Le Gette et al.
D575,568 S 8/2008 Chen et al.
D618,948 S 7/2010 Bovay et al.
D647,353 S 10/2011 Boenigk et al.
D648,589 S * 11/2011 Rice Golin D6/611

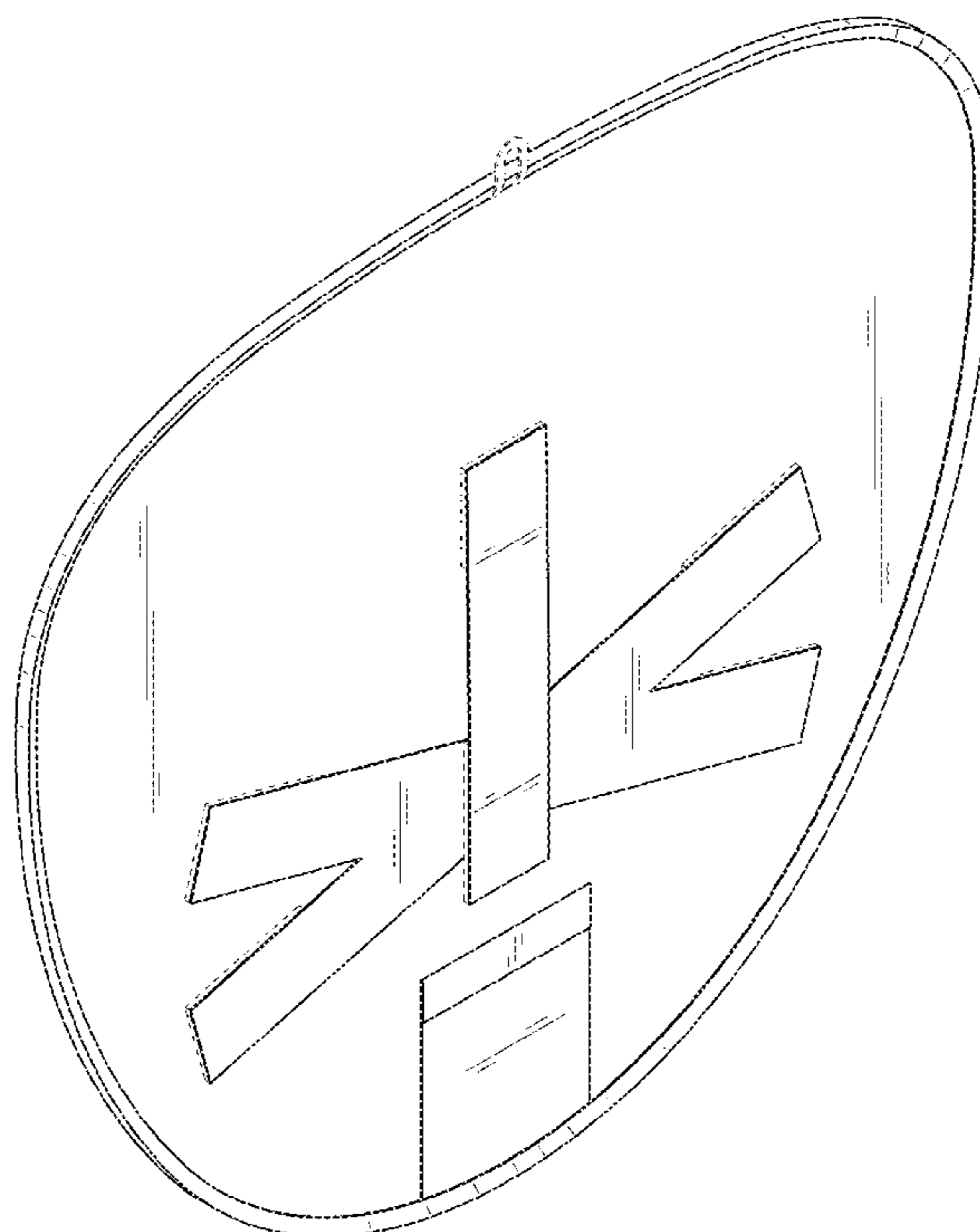
(57) **CLAIM**

The ornamental design for a screen for a chair, as shown and described.

DESCRIPTION

FIG. 1 is a front left top perspective view of a screen for a chair, showing my new design, the rear left top perspective view being a mirror image thereof with the exception of a disclaimed hanging loop;
FIG. 2 is a front elevation view thereof;
FIG. 3 is a rear elevation view thereof;
FIG. 4 is a left side elevation view thereof, the right side elevation view being a mirror image thereof;
FIG. 5 is a top plan view thereof; and,
FIG. 6 is bottom plan view thereof.
The broken lines shown in the drawings depict a hanging loop and coupling regions that form no part of the claimed design.

1 Claim, 4 Drawing Sheets



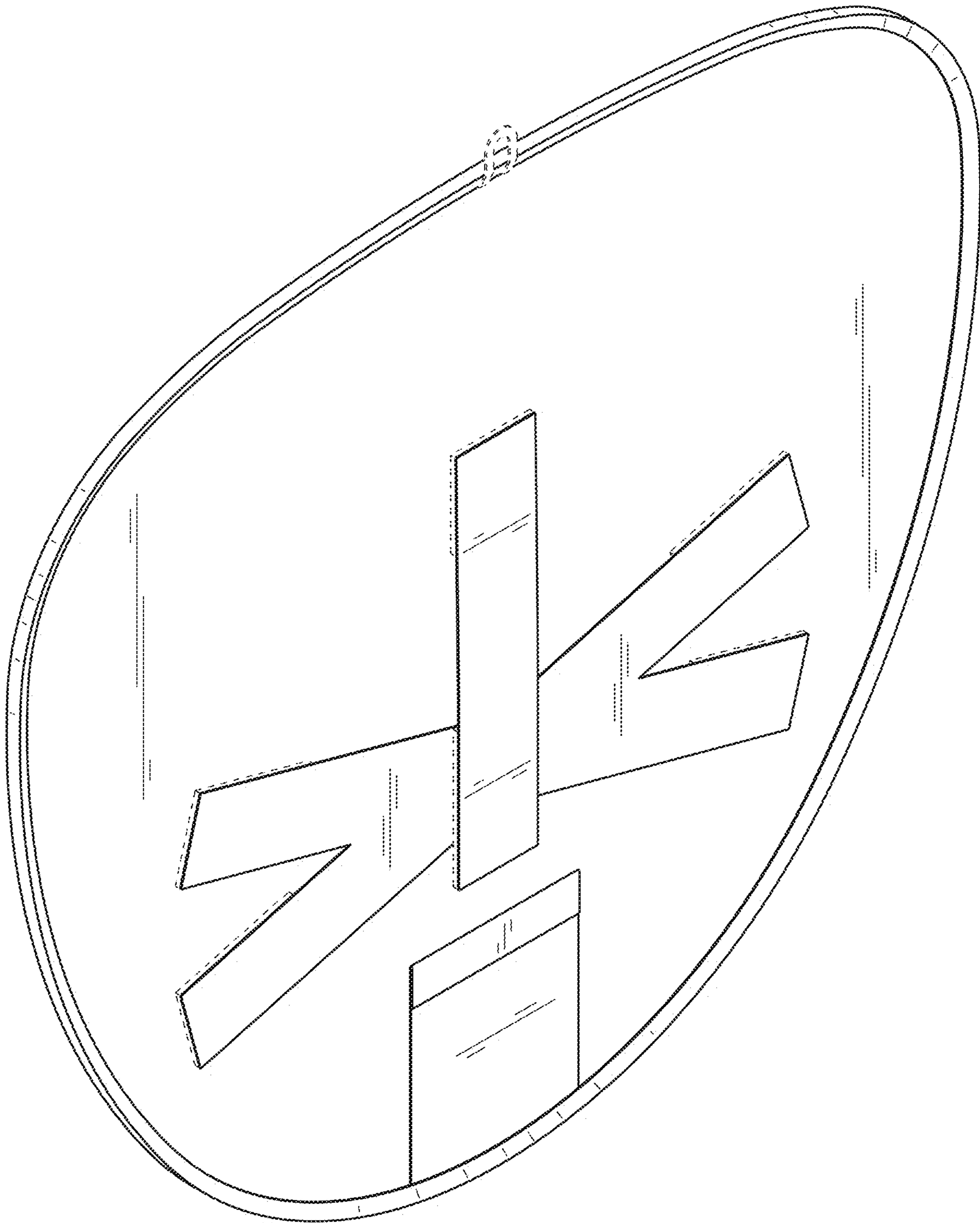


FIG. 1

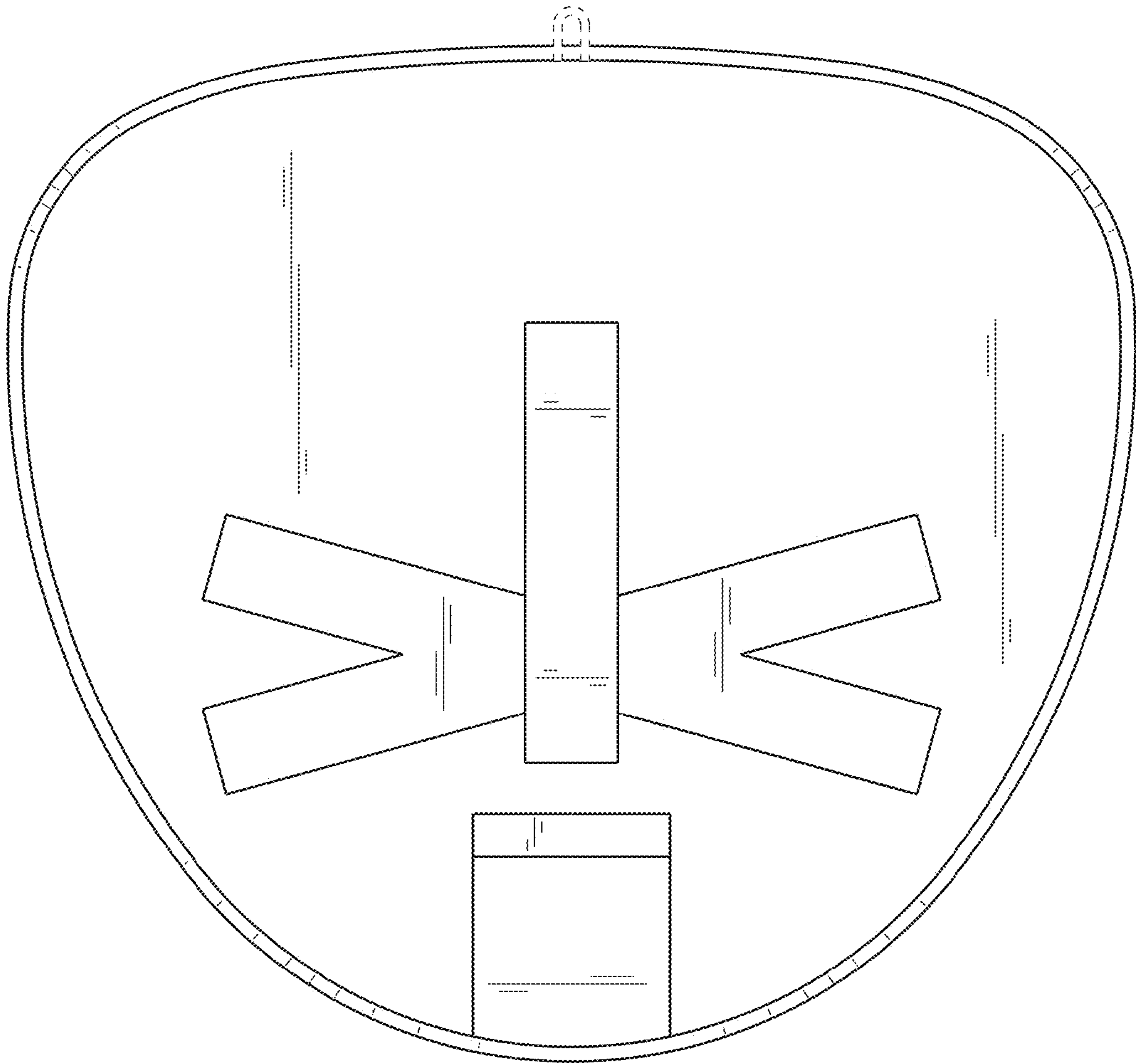


FIG. 2

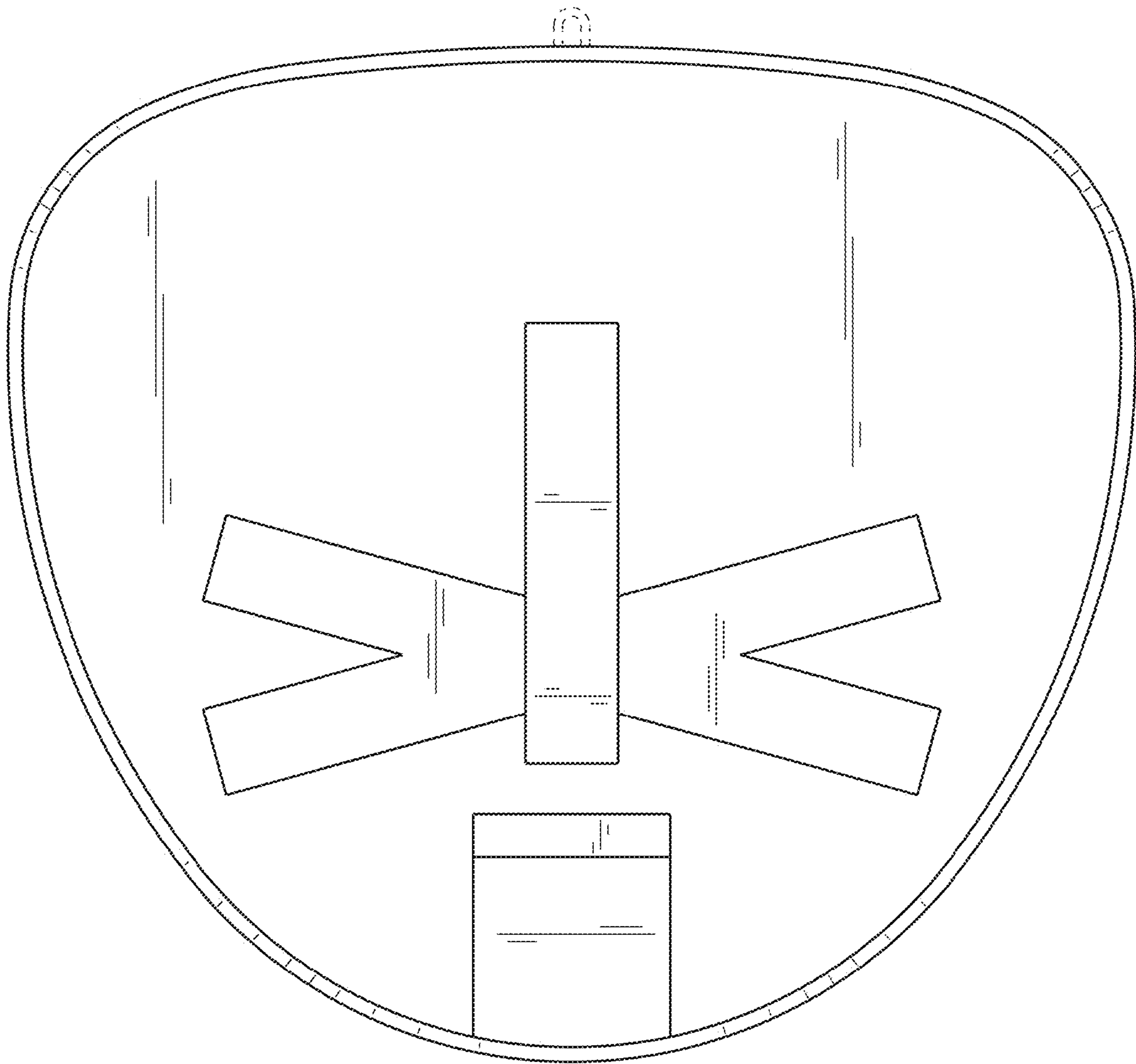


FIG. 3

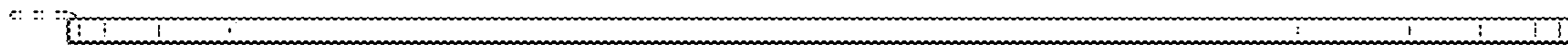


FIG. 4

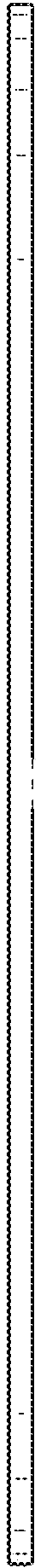


FIG. 5

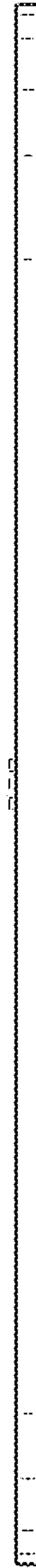


FIG. 6