



US00D966742S

(12) **United States Design Patent** (10) **Patent No.:** **US D966,742 S**
Hu (45) **Date of Patent:** **** Oct. 18, 2022**

(54) **SET OF WALL SHELVES**
(71) Applicant: **Shenzhen Wolisi Commerce Co., Ltd.,**
Shenzhen (CN)

(72) Inventor: **Wenxiu Hu,** Shenzhen (CN)

(73) Assignee: **Shenzhen Wolisi Commerce Co., Ltd.,**
Shenzhen (CN)

(**) Term: **15 Years**

(21) Appl. No.: **29/841,916**

(22) Filed: **Jun. 9, 2022**

(51) **LOC (13) Cl.** **06-04**

(52) **U.S. Cl.**
USPC **D6/574**

(58) **Field of Classification Search**
USPC D6/672, 675, 675.1, 675.2, 675.3, 683,
D6/512, 513, 514, 524, 525, 527, 567,
D6/570, 573, 574, 563, 564, 553, 304,
D6/566, 675.5, 677.1; D7/600.1, 600.4;
D3/201, 304, 306, 310, 313, 318;
D8/380, 381; 221/126.2, 126.9, 188, 151;
211/12, 13.1, 85.3, 85.9, 30, 32, 85.31,
211/86.01, 87.01, 88.04, 90.03, 94.02,
211/106, 106.1, 119.9
CPC ... A47K 5/03; A47K 5/04; A47K 5/02; A47K
5/00; A47K 5/18; A47F 5/00; A47F
5/0081; A47B 96/02; A47B 96/021; A47B
96/027; A47B 96/028

See application file for complete search history.

(56) **References Cited**

U.S. PATENT DOCUMENTS

D419,349 S * 1/2000 Klein D6/552
D621,193 S * 8/2010 Bauchet D6/574
D622,527 S * 8/2010 Wang D6/570
D715,073 S * 10/2014 Simonetti D6/574
D887,747 S * 6/2020 Chiang D6/574
D897,131 S * 9/2020 Wang D6/571
D916,522 S * 4/2021 Hong D6/574

D919,325 S * 5/2021 Wang D6/574
D919,326 S * 5/2021 Wang D6/574
D922,795 S * 6/2021 Hong D6/574
D956,539 S * 7/2022 Wang D8/380
2014/0217046 A1 * 8/2014 Wang A47B 96/021
211/134

FOREIGN PATENT DOCUMENTS

CN 303607323 S 3/2016
CN 305527967 S 1/2020
EM 008185821-0004 * 9/2020
EM 009056070-0001 * 6/2022
GB 6212752 * 6/2022

OTHER PUBLICATIONS

/Rustic Wall Mounted Floating Shelves. Greenco (online) 9 pgs.
Available Aug. 3, 2019. [Retrieved Aug. 18, 2022] <https://www.walmart.com/ip/Greenco-Rustic-Wall-Mounted-Floating-Shelves-For-Living-Room-Dining-Office-Bedrooms-Wood-Storage-Set-3/486502461> (Year: 2019).*

* cited by examiner

Primary Examiner — Marie D. Fast Horse

Assistant Examiner — Jennifer Sierra Yosinski

(74) *Attorney, Agent, or Firm* — Wayne IP LLC

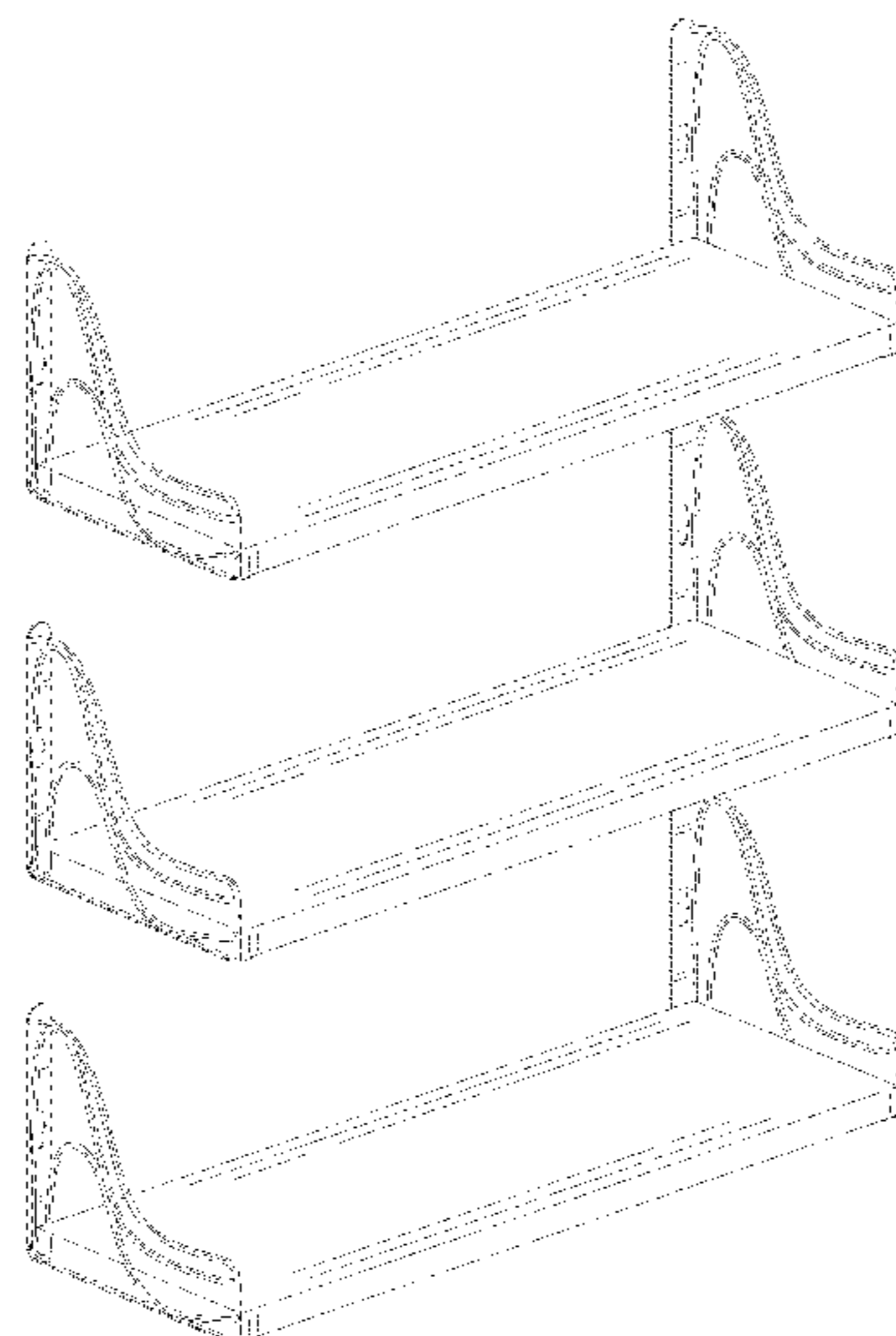
(57) **CLAIM**

The ornamental design for a set of wall shelves, as shown and described.

DESCRIPTION

FIG. 1 is a front, left, top perspective view of a set of wall shelves showing my new design;
FIG. 2 is a back, right, bottom perspective view thereof;
FIG. 3 is a front view thereof;
FIG. 4 is a back view thereof;
FIG. 5 is a left view thereof;
FIG. 6 is a right view thereof;
FIG. 7 is a top view thereof; and,
FIG. 8 is a bottom view thereof.

1 Claim, 7 Drawing Sheets



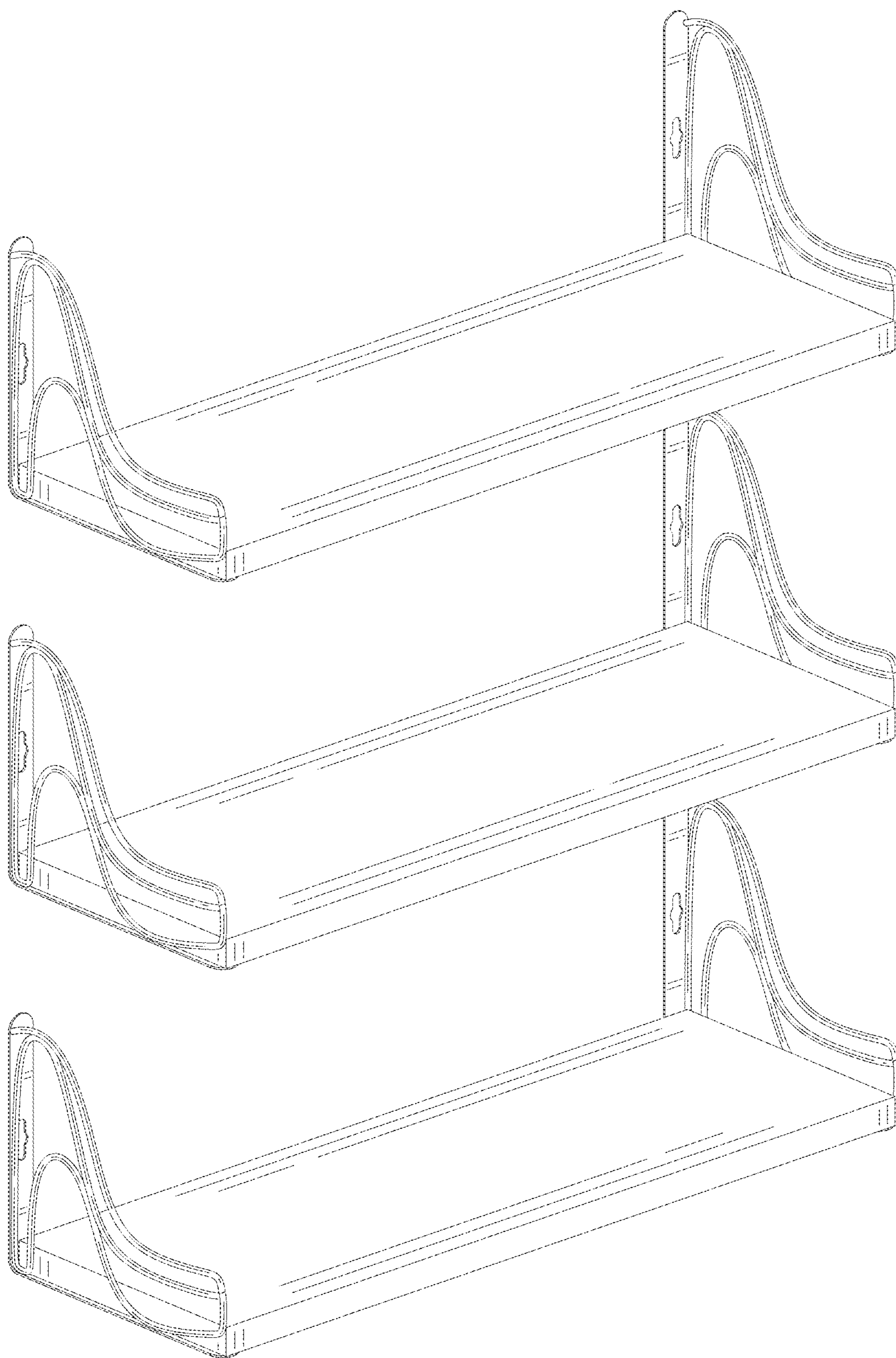


FIG. 1

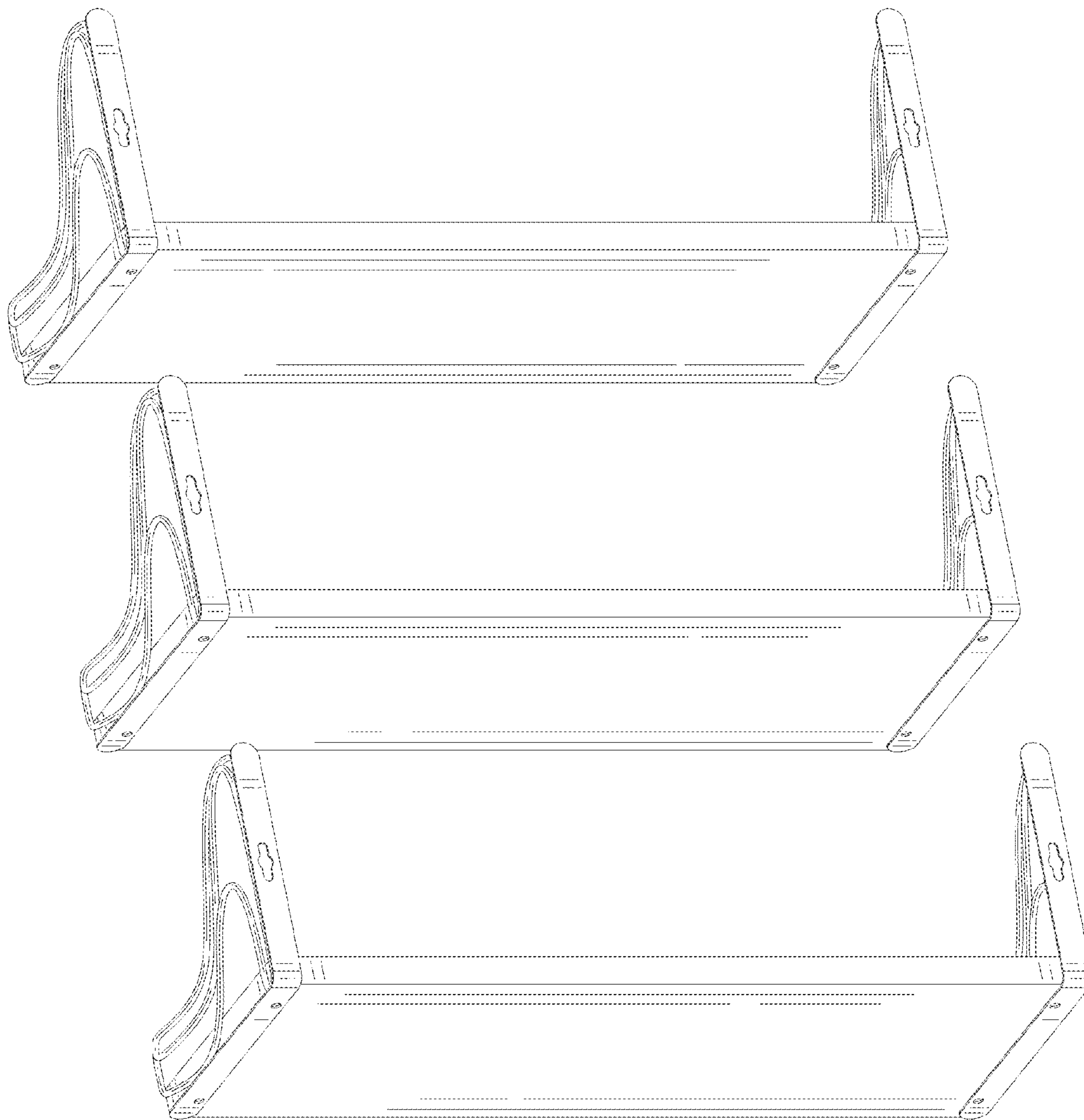


FIG. 2



FIG. 3

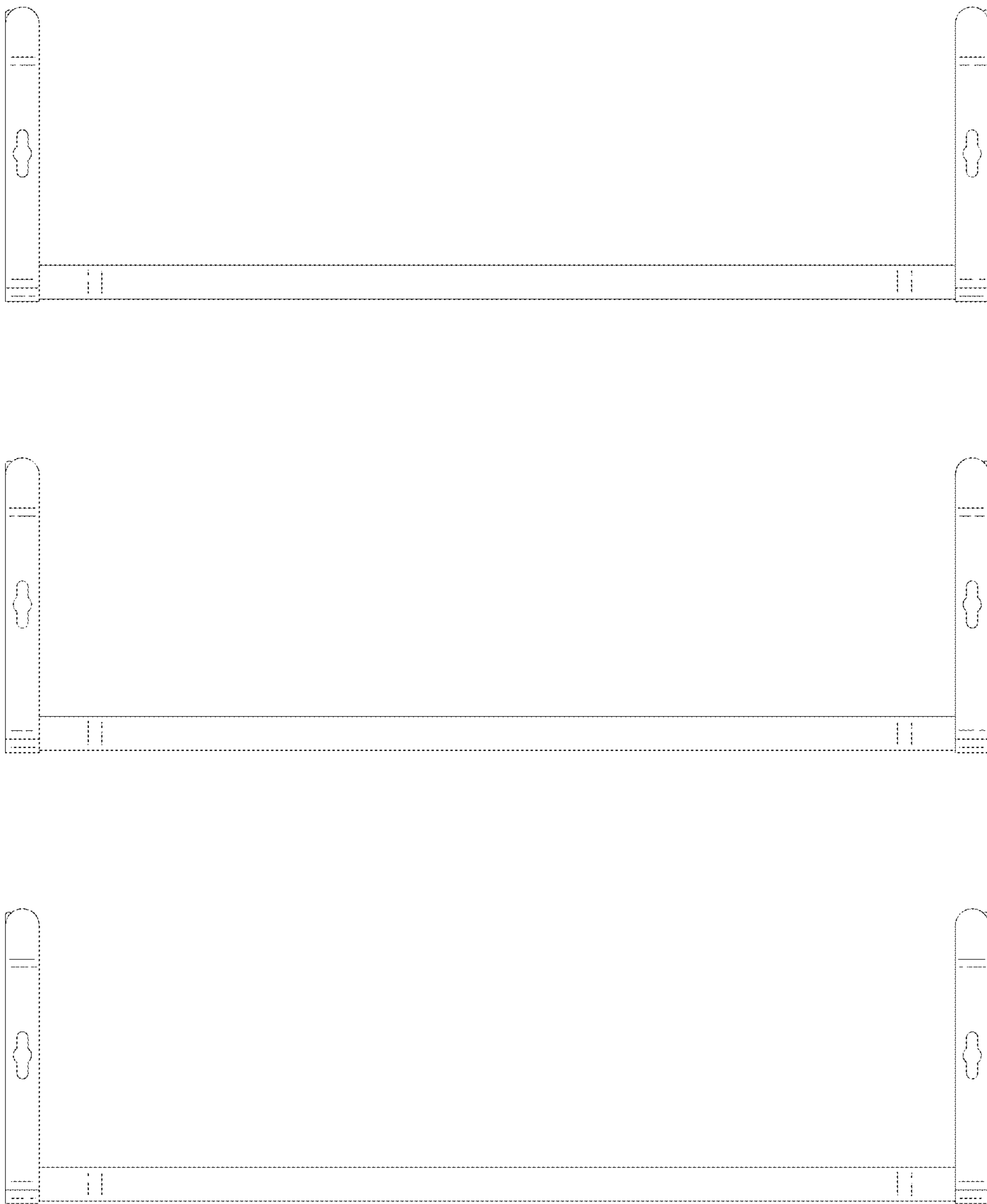


FIG. 4

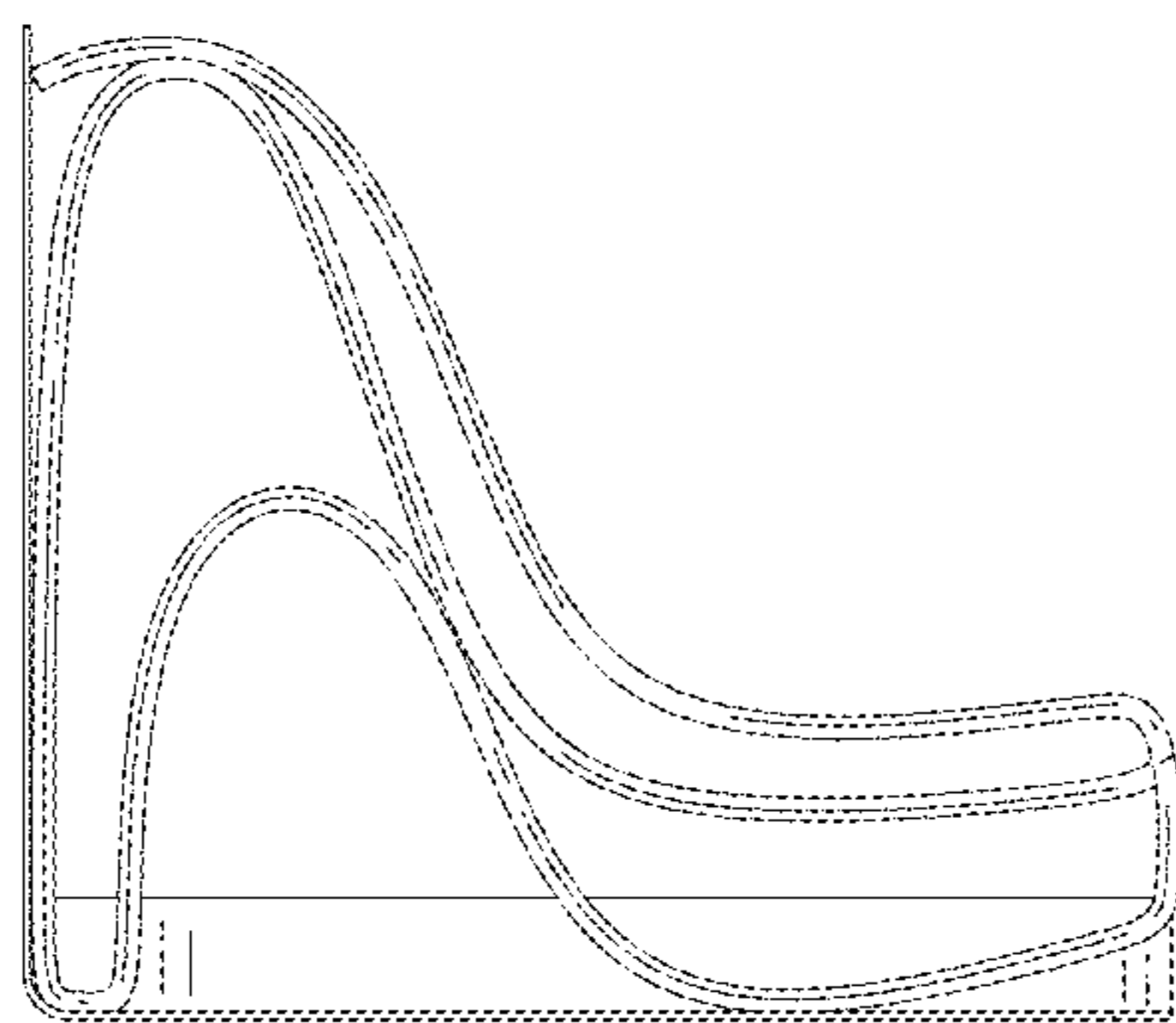
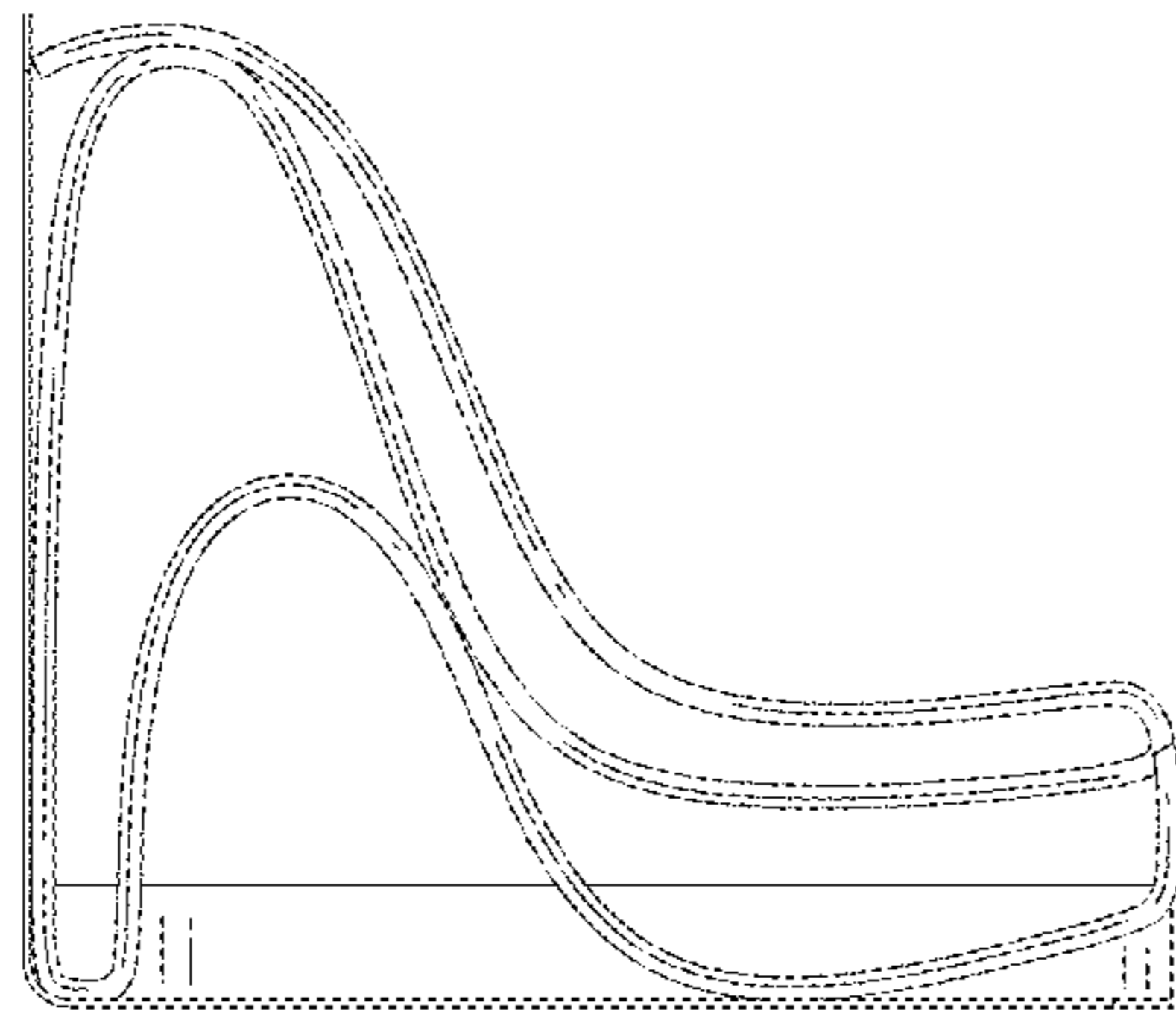
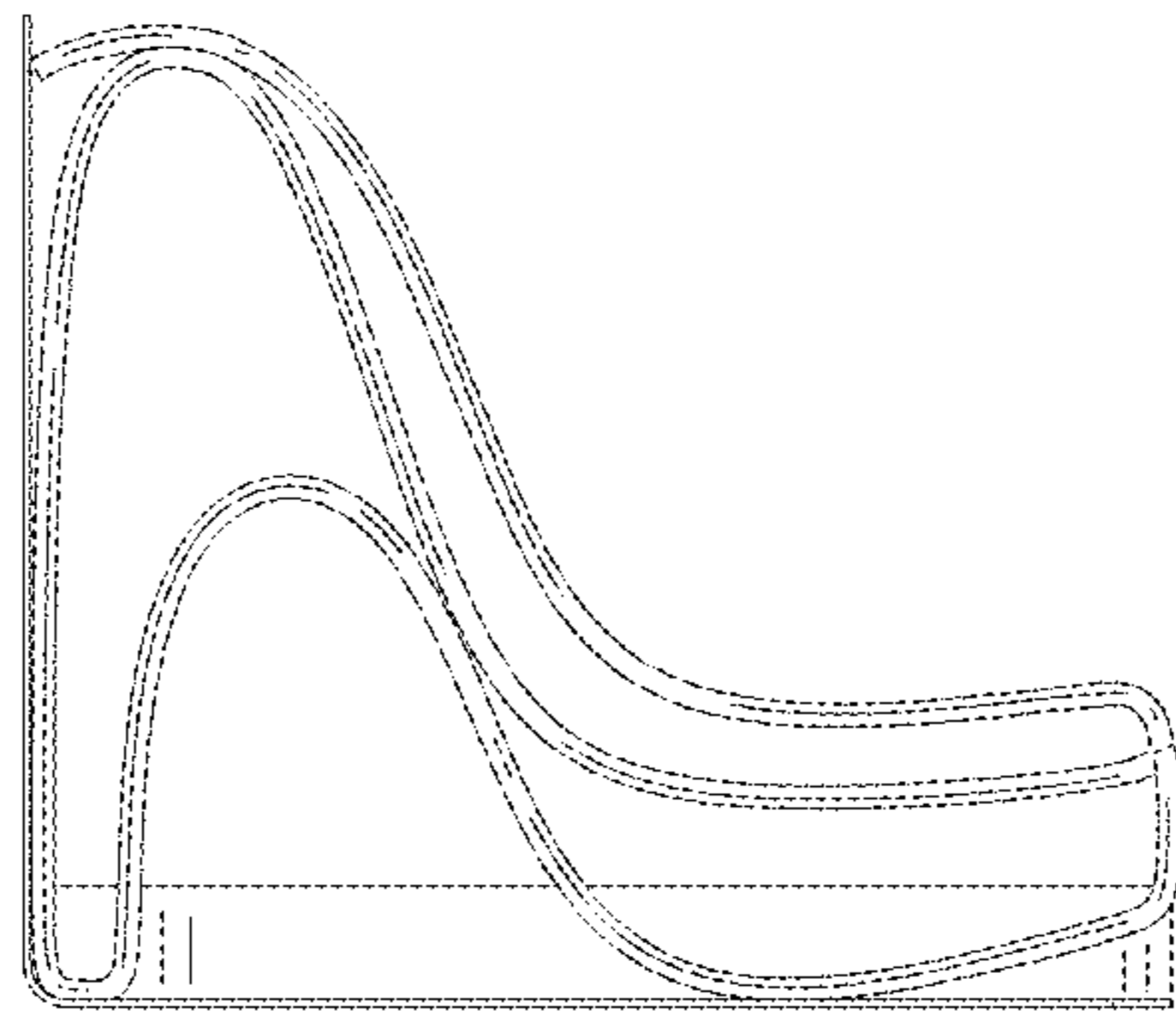


FIG. 5

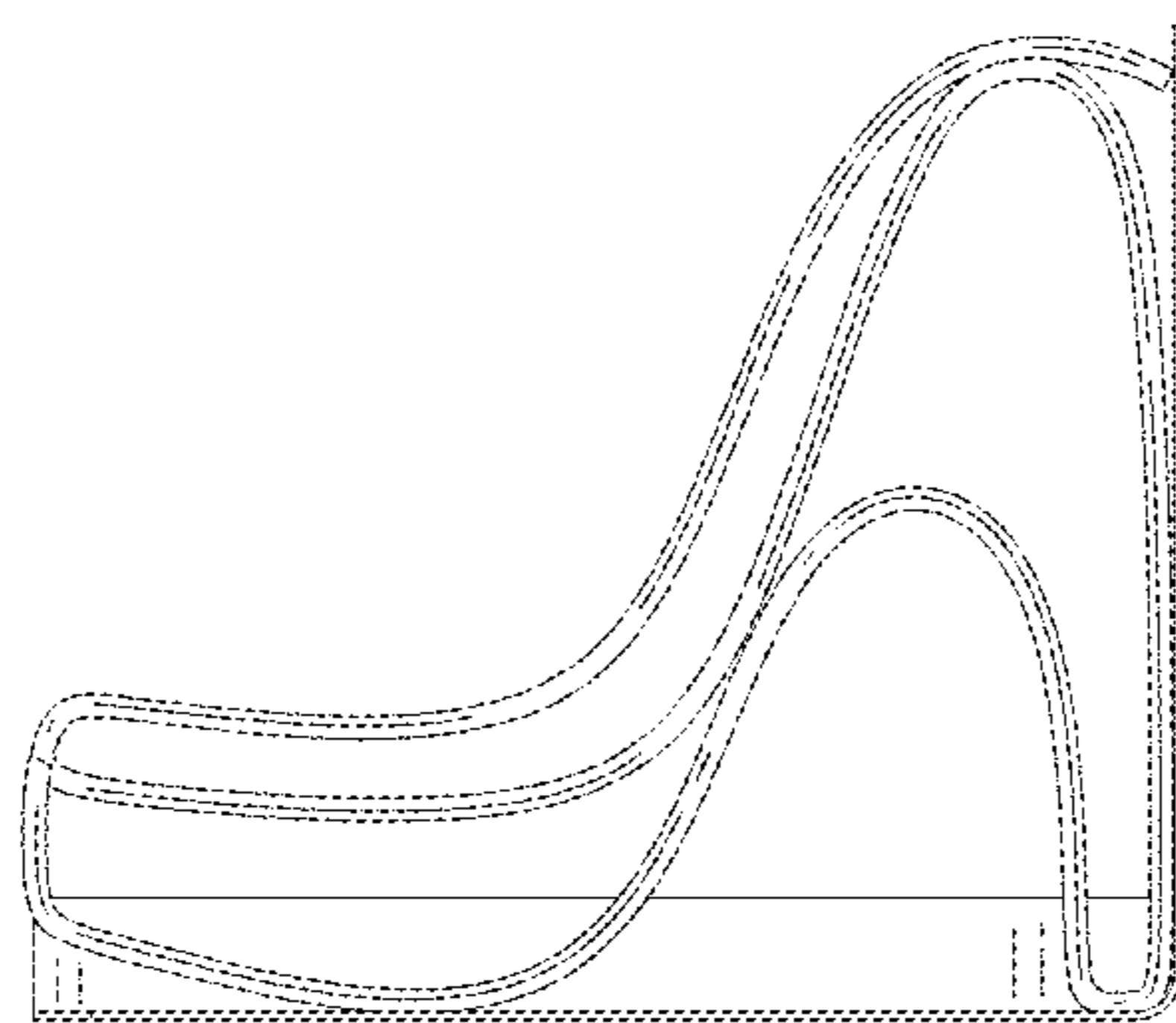
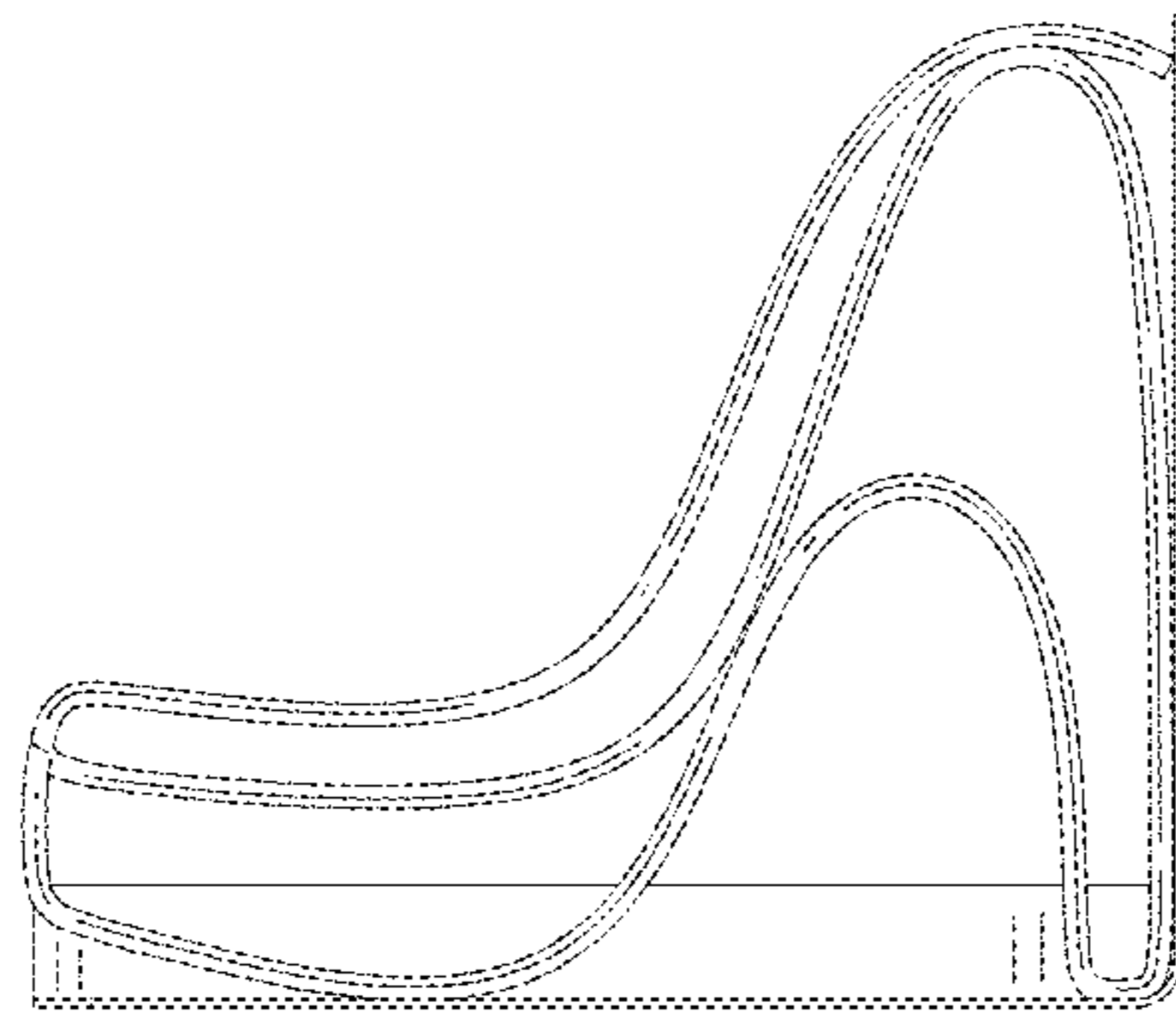
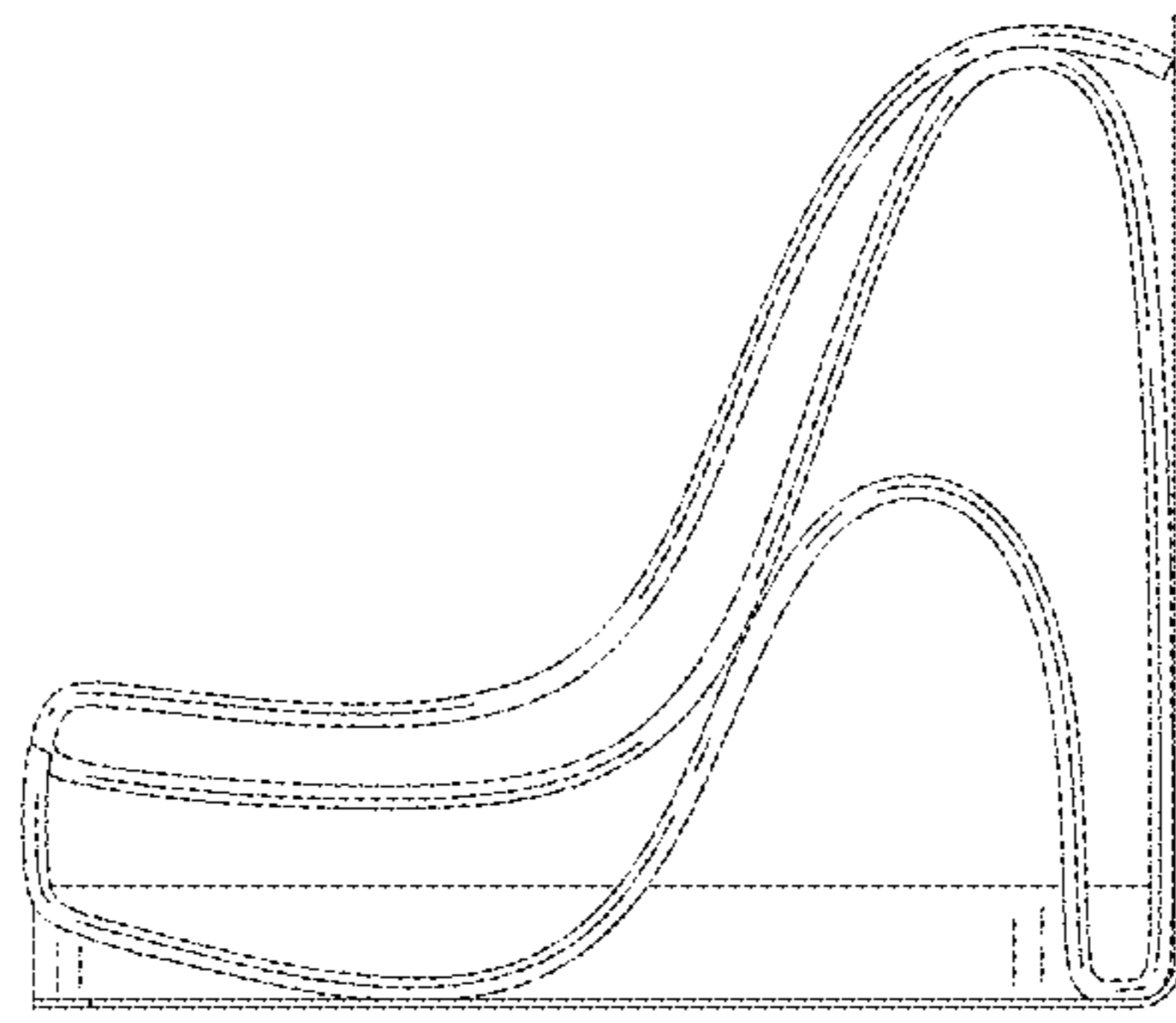


FIG. 6

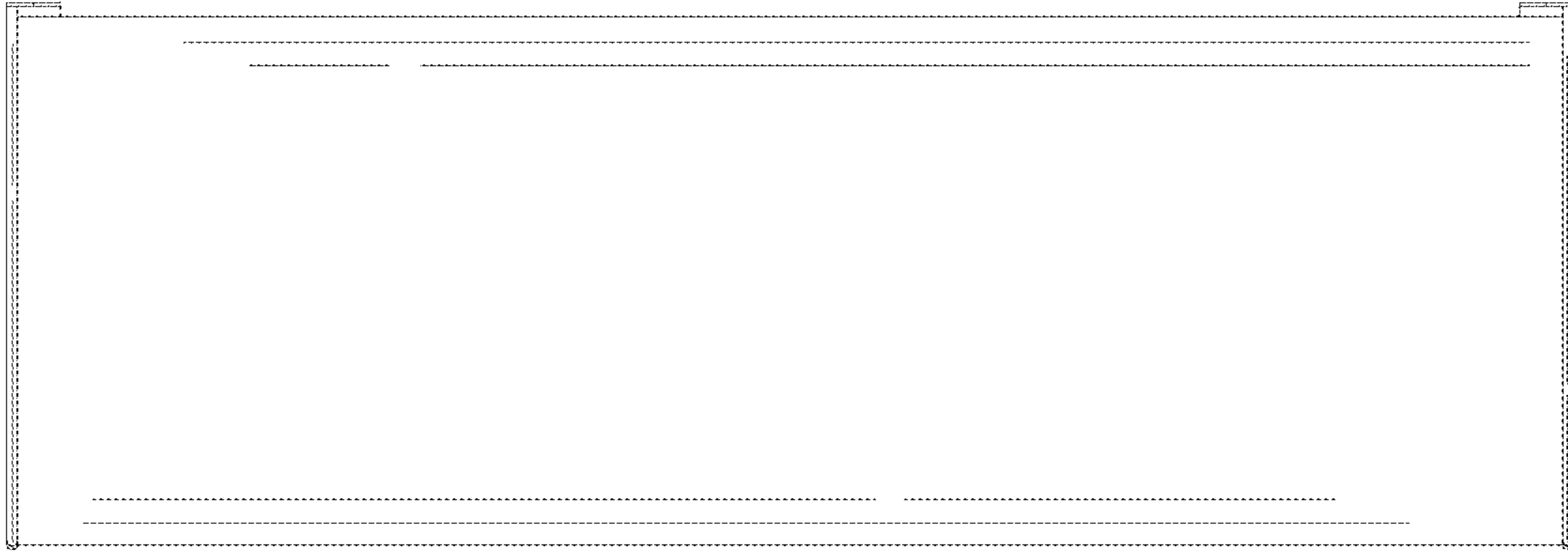


FIG. 7

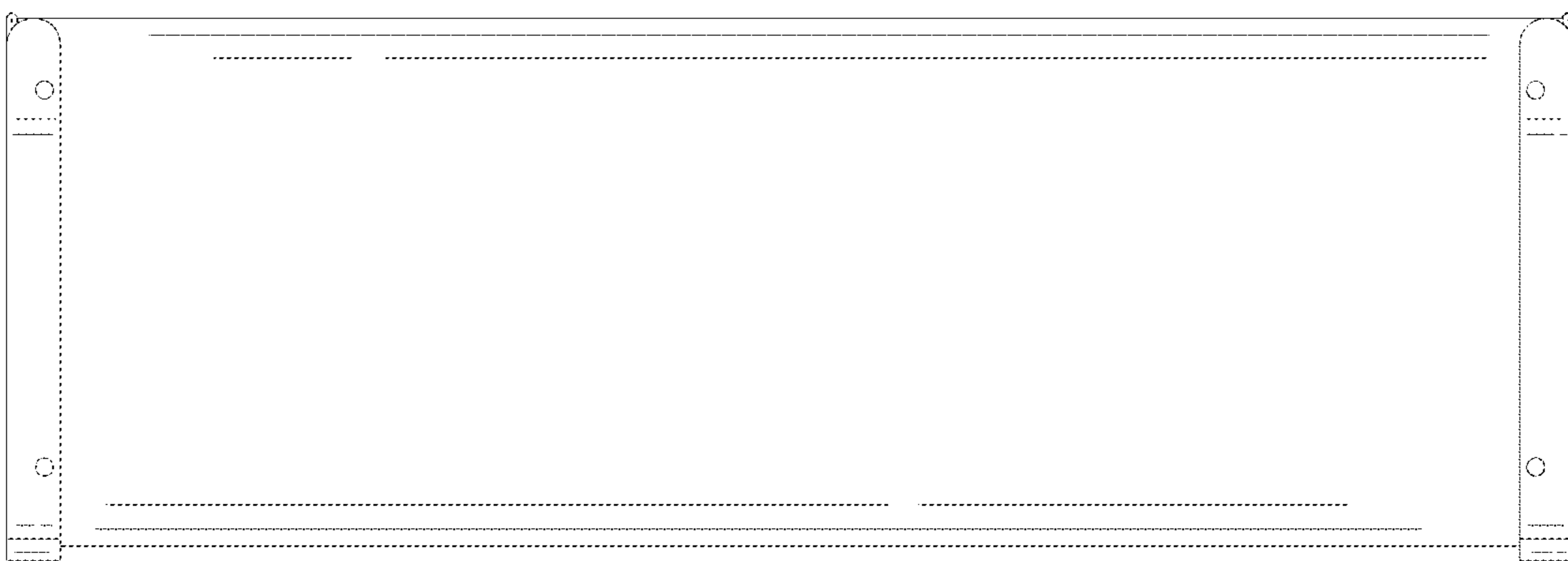


FIG. 8