



US00D966740S

(12) **United States Design Patent** (10) **Patent No.:** **US D966,740 S**
Wu et al. (45) **Date of Patent:** **** Oct. 18, 2022**

(54) **ELECTRICALLY HEATED TOWEL RACK**

FOREIGN PATENT DOCUMENTS

(71) Applicant: **JIANGXI AVONFLOW HVAC TECH CO., LTD.**, Shangrao (CN)

CN 306763165 * 8/2021

(72) Inventors: **Jianbin Wu**, Shangrao (CN); **Dewen Yin**, Shangrao (CN)

OTHER PUBLICATIONS

(73) Assignee: **JIANGXI AVONFLOW HVAC TECH CO., LTD.**, Shangrao (CN)

AVONFLOW Heated Towel Warmer Racks with Time for Bathroom, available in Amazon.com, customer review oldest date May 7, 2021 [online], Retrieved on May 12, 2022 from URL: <https://www.amazon.com/AVONFLOW-Heated-Bathroom-Freestanding-Mounted/dp/B08S3PML6W/> (Year: 2021).*

(**) Term: **15 Years**

* cited by examiner

(21) Appl. No.: **29/760,872**

(22) Filed: **Dec. 4, 2020**

Primary Examiner — Vy N Koenig

Assistant Examiner — Michelle M Reeves

(51) **LOC (13) Cl.** **23-08**

(74) *Attorney, Agent, or Firm* — Jeenam Park

(52) **U.S. Cl.**

USPC **D6/548**

(58) **Field of Classification Search**

USPC D6/524, 546, 548–550, 553, 681.1;
D8/303, 321, 350, 352

(57) **CLAIM**

CPC A47F 7/24; A47K 10/06; A47B 45/00;
B62B 2206/02

The ornamental design for an electrically heated towel rack, as shown and described.

See application file for complete search history.

(56) **References Cited**

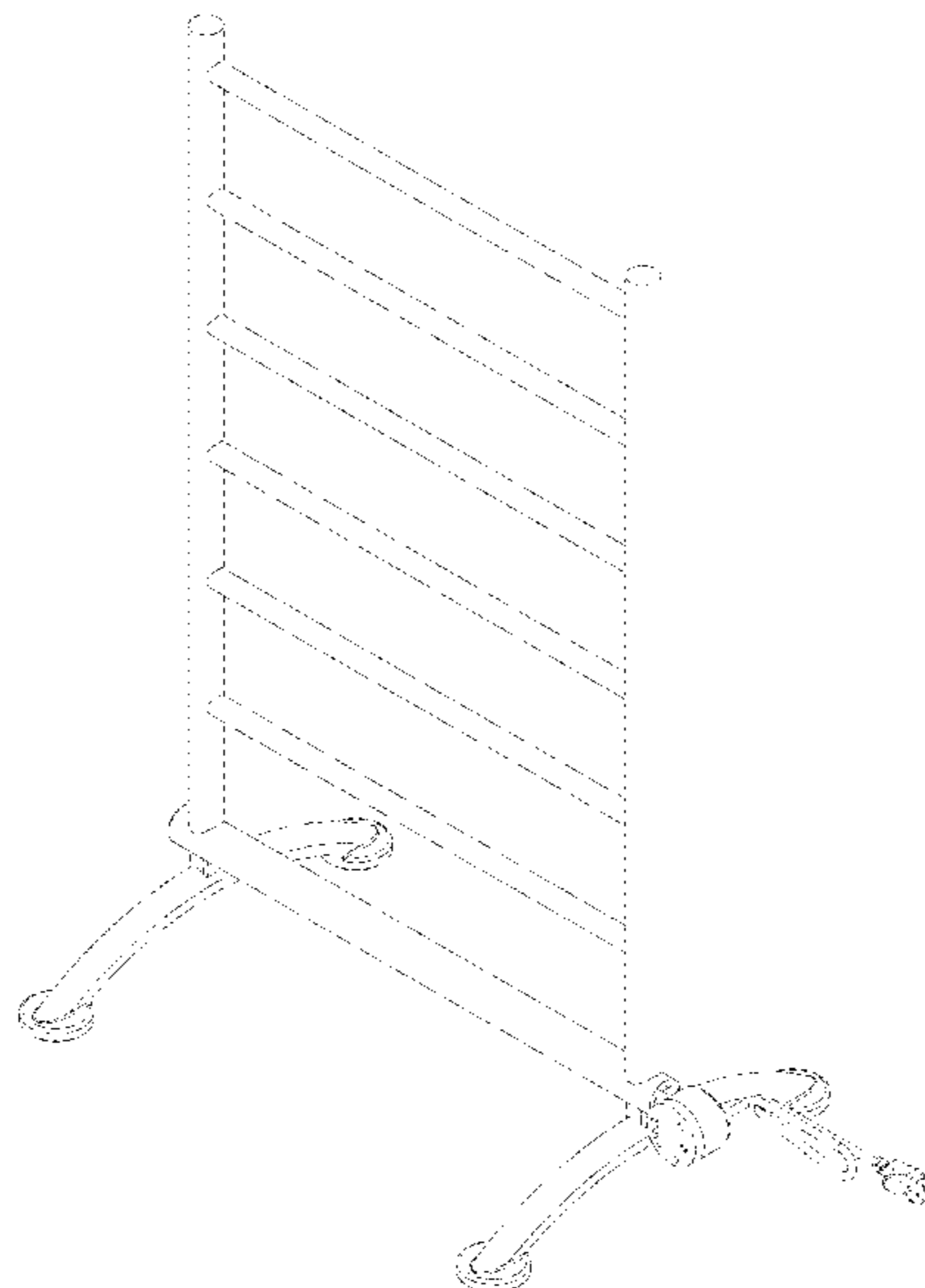
DESCRIPTION

U.S. PATENT DOCUMENTS

D76,906 S * 11/1928 Victor 211/44
2,885,090 A * 5/1959 Forman A47F 7/24
211/175
D273,161 S * 3/1984 Weber D6/548
D419,349 S * 1/2000 Klein D6/552
D456,167 S * 4/2002 Harwanko D6/548
D495,524 S * 9/2004 Harwanko D6/681.1
D576,830 S * 9/2008 Kristensen D6/548
D727,066 S * 4/2015 Cohen D6/548
2008/0138054 A1 * 6/2008 Short A47K 10/06
392/485
2012/0211481 A1 * 8/2012 Huang A47K 10/06
219/213
2020/0375412 A1 * 12/2020 Wallander D06F 59/08

FIG. 1 is a perspective view of an electrically heated towel rack of showing our new design;
FIG. 2 is a front view thereof;
FIG. 3 is a rear view thereof;
FIG. 4 is a left side view thereof;
FIG. 5 is a right side view thereof;
FIG. 6 is a top plan view thereof; and,
FIG. 7 is a bottom plan view thereof.
The broken lines shown in the drawings depict portions of the electrically heated towel rack that form no part of the claimed design.

1 Claim, 7 Drawing Sheets



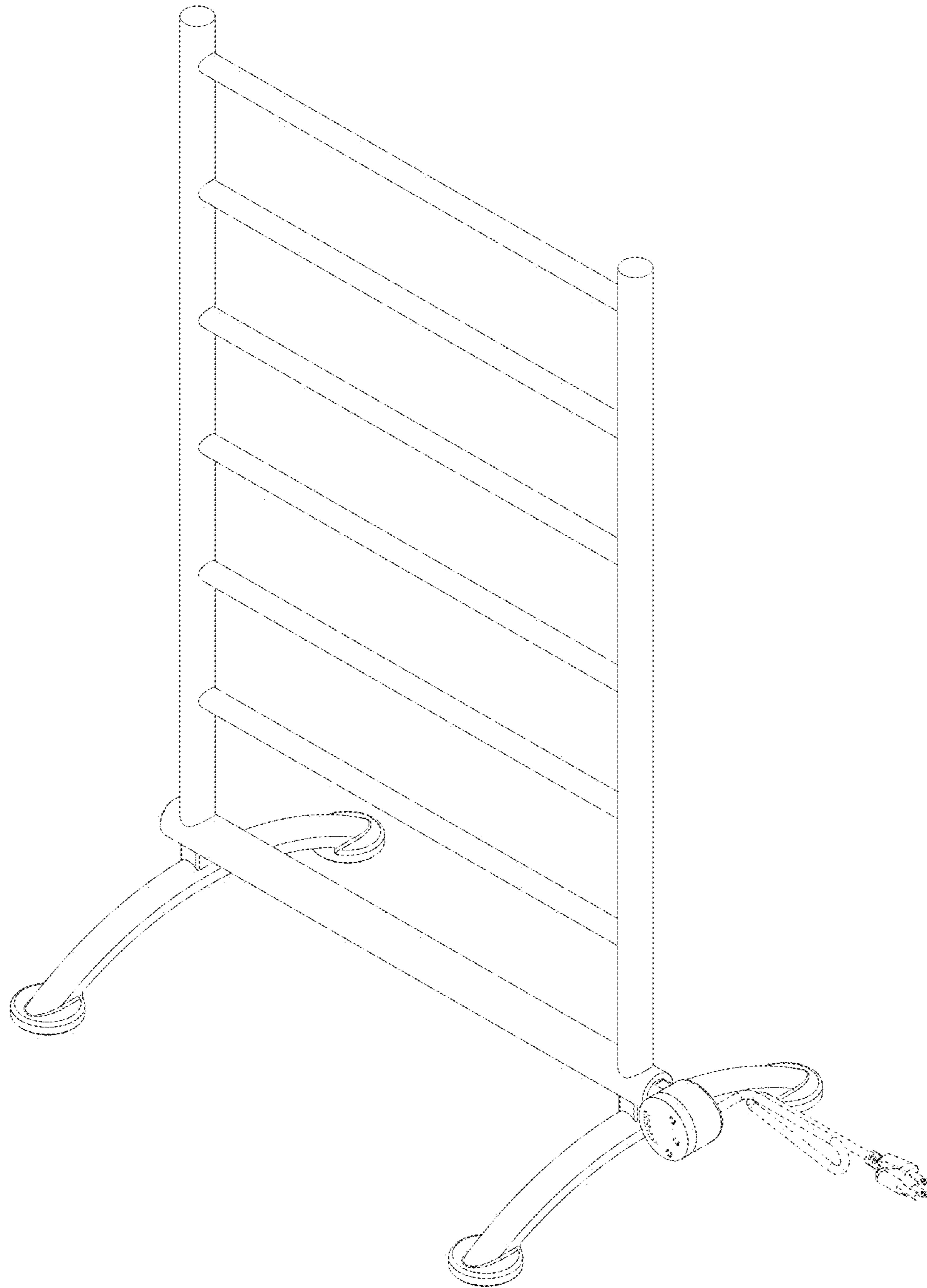


FIG. 1

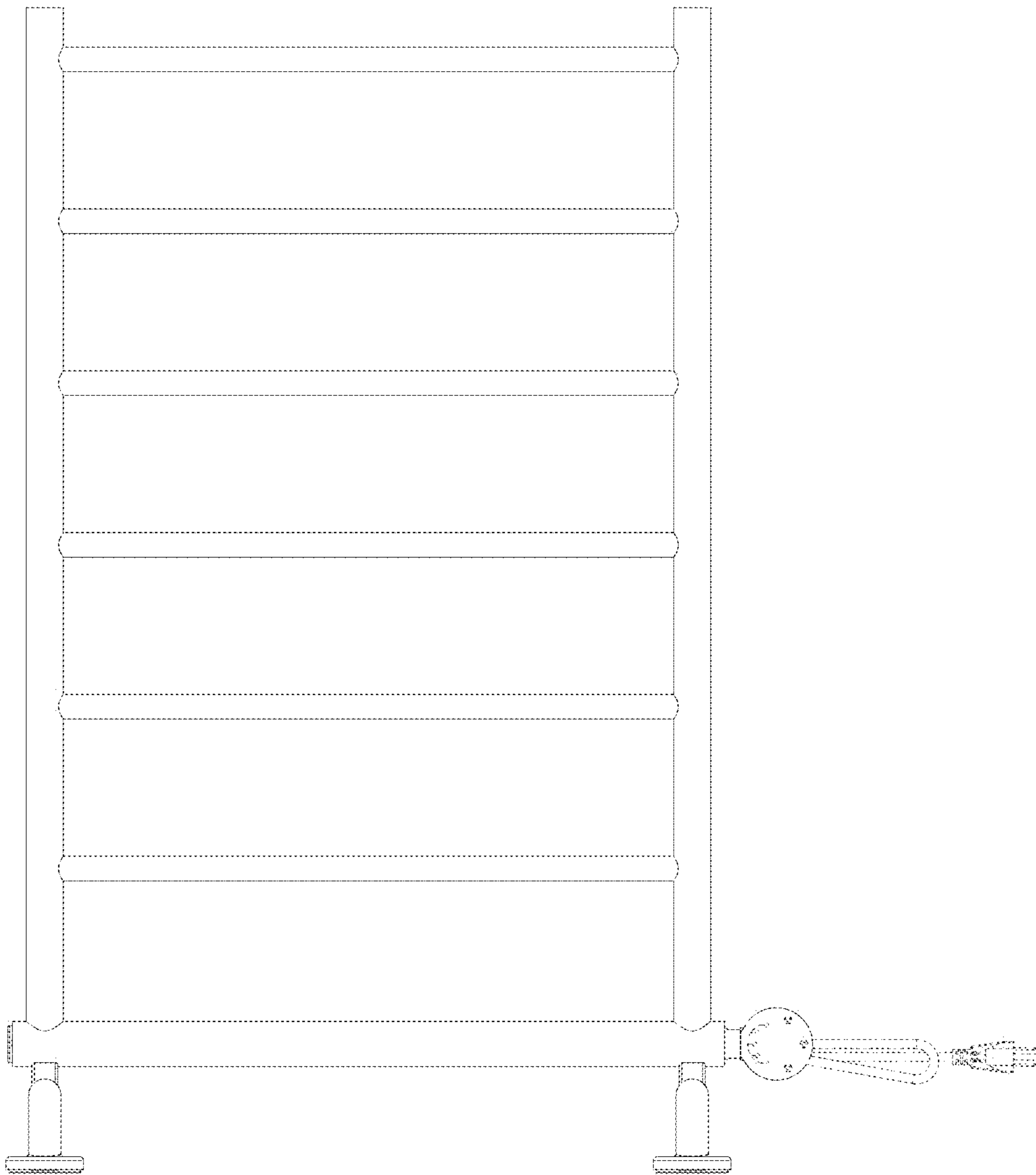


FIG. 2



FIG. 3

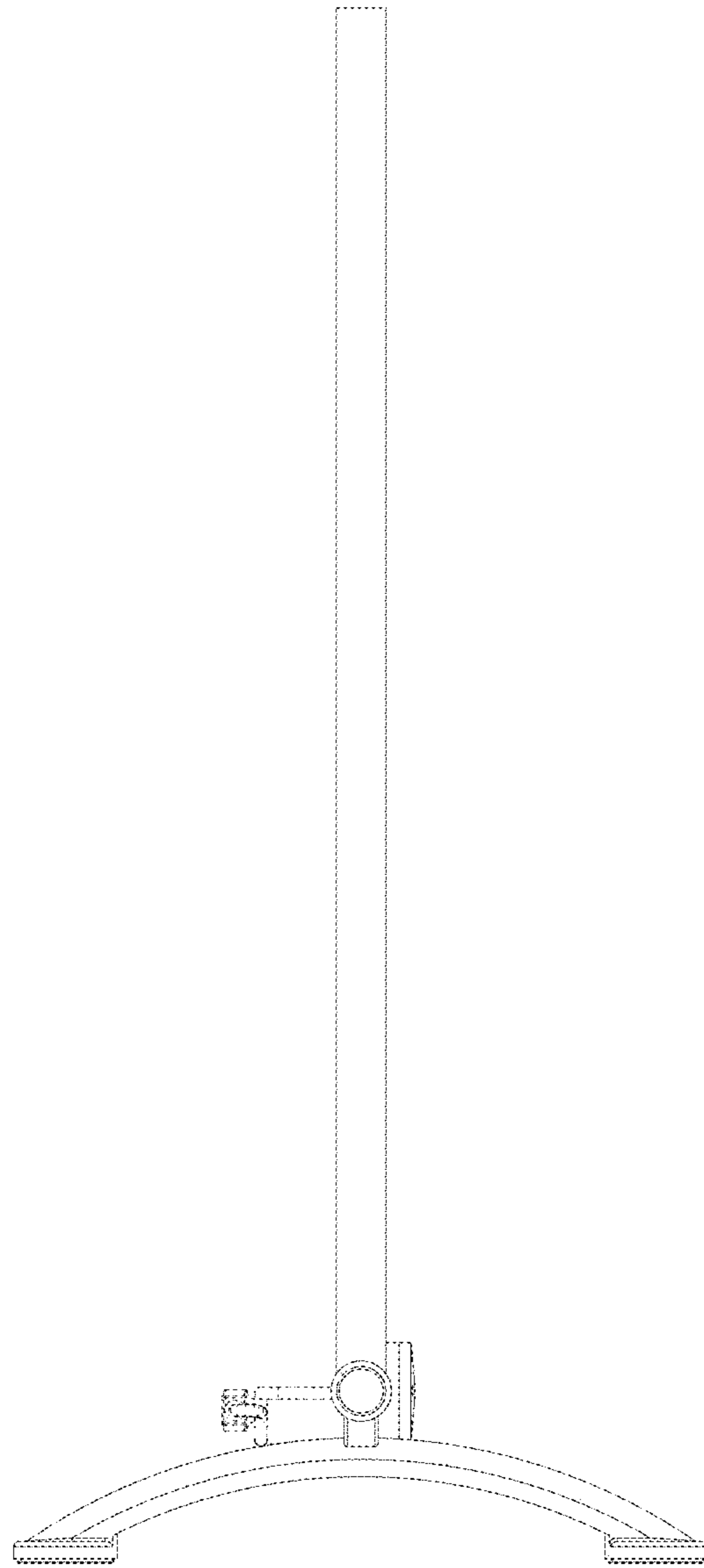


FIG. 4

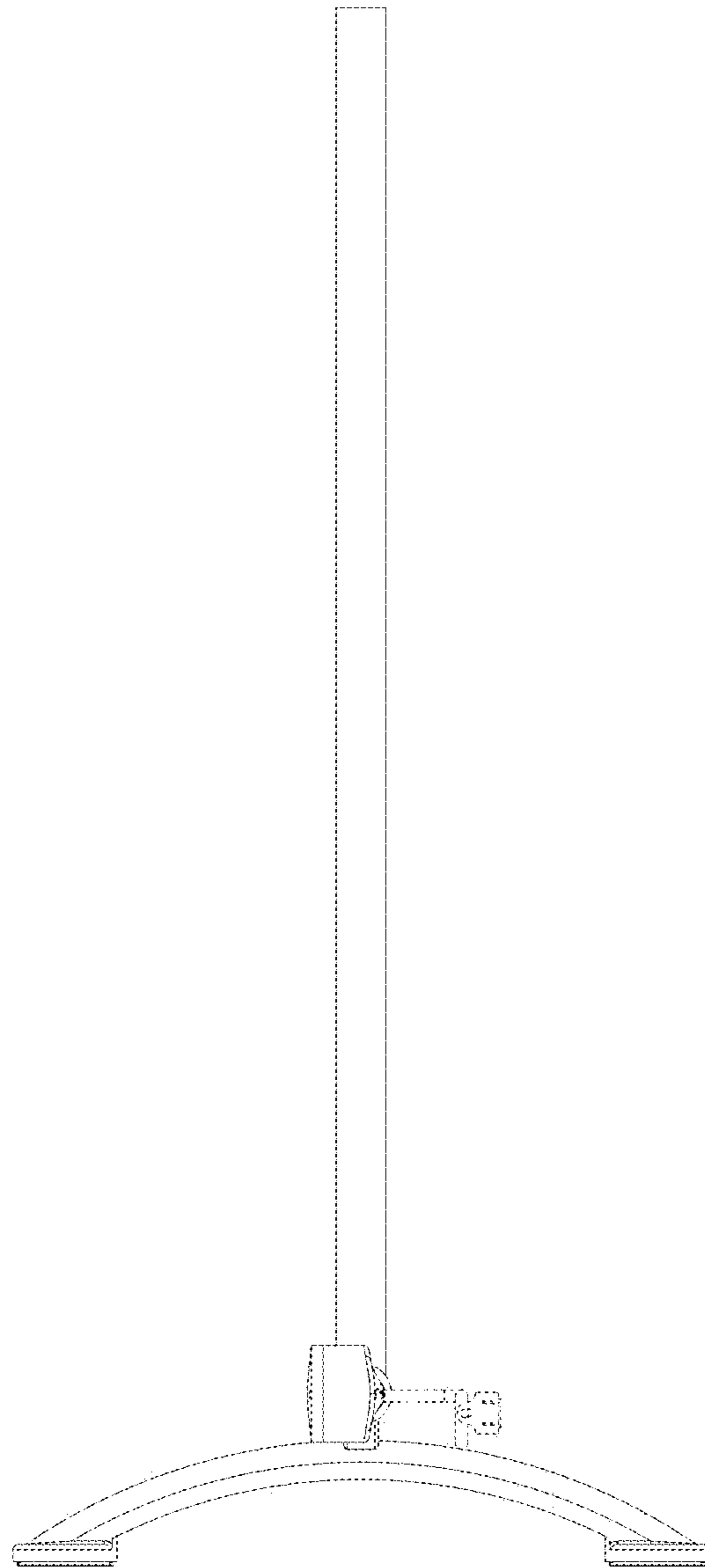


FIG. 5

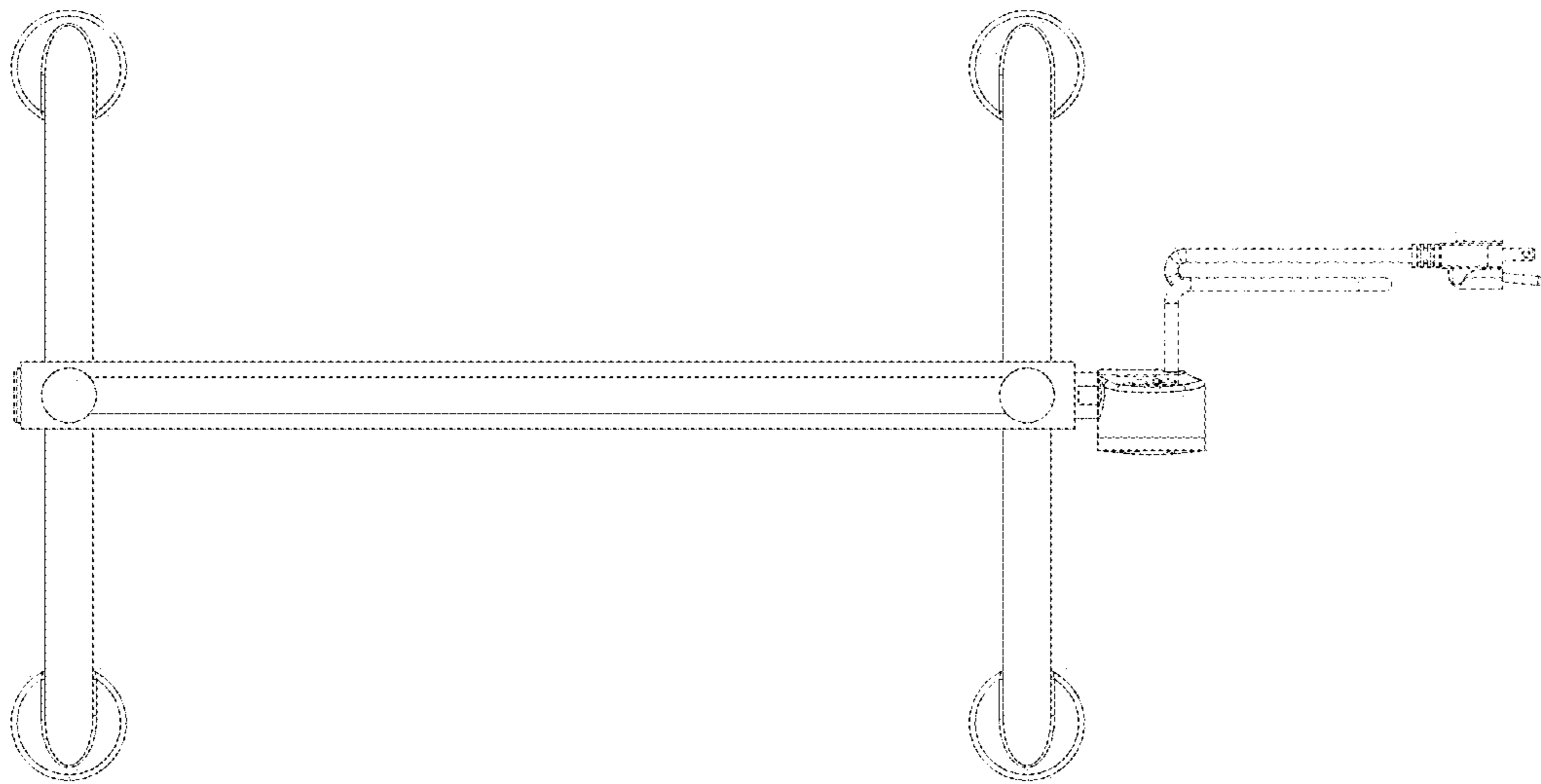


FIG. 6

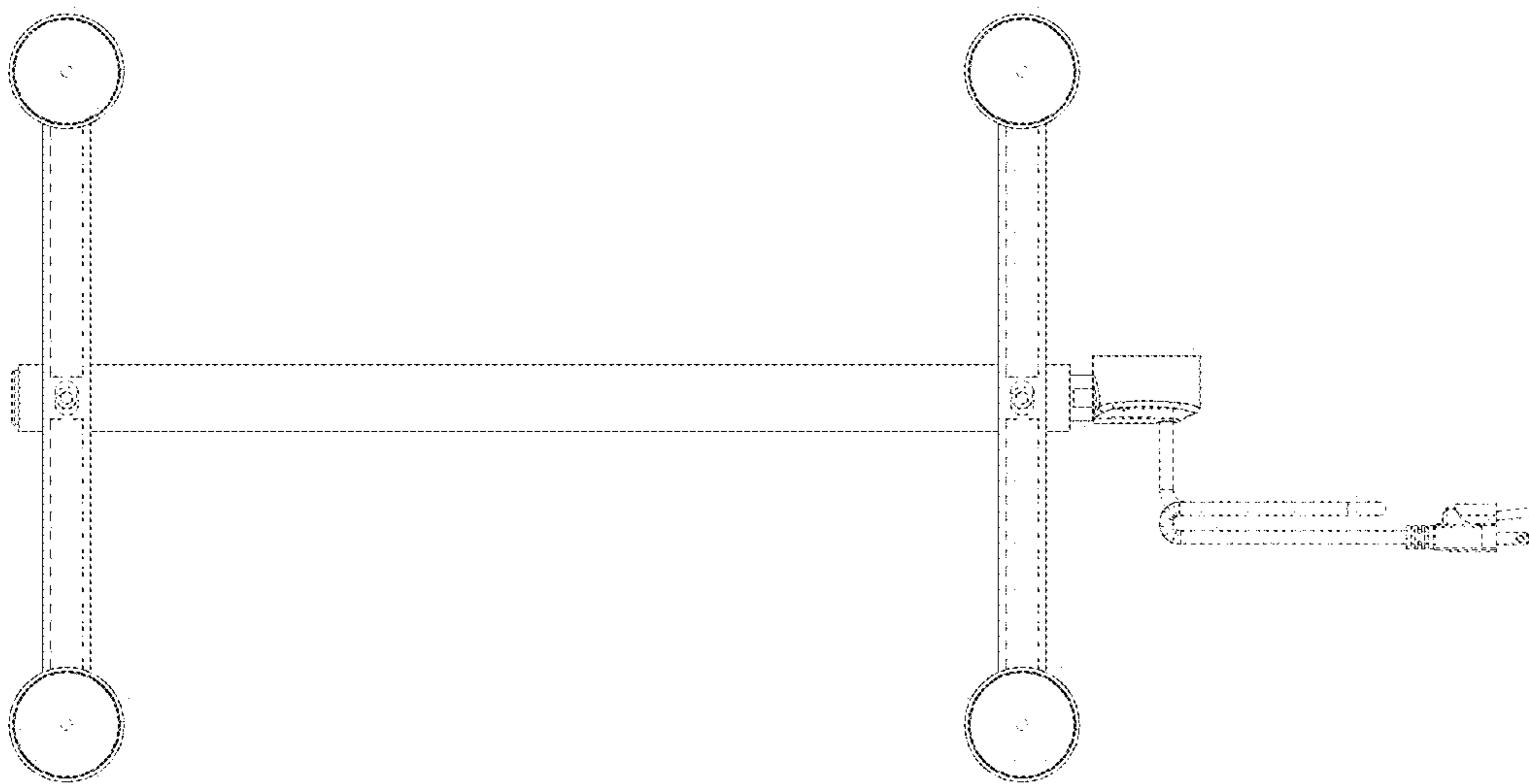


FIG. 7