



US00D966739S

(12) **United States Design Patent** (10) **Patent No.:** **US D966,739 S**  
**Li** (45) **Date of Patent:** **\*\* Oct. 18, 2022**

(54) **DISPENSER FOR LIQUID SOAP**  
(71) Applicant: **Dermey Commodity Co., Ltd.**,  
Shenzhen (CN)  
(72) Inventor: **Yizhi Li**, Shenzhen (CN)  
(\*\*) Term: **15 Years**  
(21) Appl. No.: **29/766,811**  
(22) Filed: **Jan. 19, 2021**  
(51) **LOC (13) Cl.** ..... **23-08**  
(52) **U.S. Cl.**  
USPC ..... **D6/545**  
(58) **Field of Classification Search**  
USPC ..... D6/518, 524, 542-545, 519, 522, 523;  
D7/306, 312, 313, 321, 322, 391, 397,  
D7/398, 307, 309, 600.1, 601, 619.1;  
D8/71; D9/455; D15/145; D20/1;  
D23/208, 234, 286; D24/128, 234;  
D28/38, 54.1  
CPC ..... A47K 5/12; A47K 5/14; A47K 5/1207  
See application file for complete search history.

(56) **References Cited**

U.S. PATENT DOCUMENTS

D628,420 S \* 12/2010 Petrucelli ..... D6/542  
D648,856 S \* 11/2011 Landauer ..... D24/185  
9,204,765 B2 \* 12/2015 McNulty ..... B05B 11/3087  
D780,473 S \* 3/2017 Brownley ..... D6/515  
D781,064 S \* 3/2017 Brownley ..... D6/515  
D802,329 S \* 11/2017 Brownley ..... D6/545  
9,850,059 B2 \* 12/2017 Corney ..... B65D 47/06  
D815,457 S \* 4/2018 Moore ..... D6/545  
D846,299 S \* 4/2019 Harris ..... D6/515  
D860,676 S \* 9/2019 Khamphilapanyo ..... D6/545  
D946,340 S \* 3/2022 Jakobsen ..... D7/306

2013/0056496 A1\* 3/2013 Coleman ..... A47L 17/00  
222/185.1  
2015/0083754 A1\* 3/2015 Proper ..... B67D 3/0029  
222/180  
2017/0100001 A1\* 4/2017 Tojek ..... B05B 15/62

FOREIGN PATENT DOCUMENTS

EM 00840319-0001 \* 1/2021

OTHER PUBLICATIONS

Purell Hand Sanitizer Dispenser, available in schoolspecialty.com, earliest available date Dec. 3, 2017 Year 2017 [online], Retrieved on Jul. 26, 2022 from URL: <https://www.schoolspecialty.com/gojo-purell-es6-hand-sanitizer-dispenser-2007252> (Year: 2017).\*

\* cited by examiner

Primary Examiner — Vy N Koenig  
Assistant Examiner — Michelle M Reeves

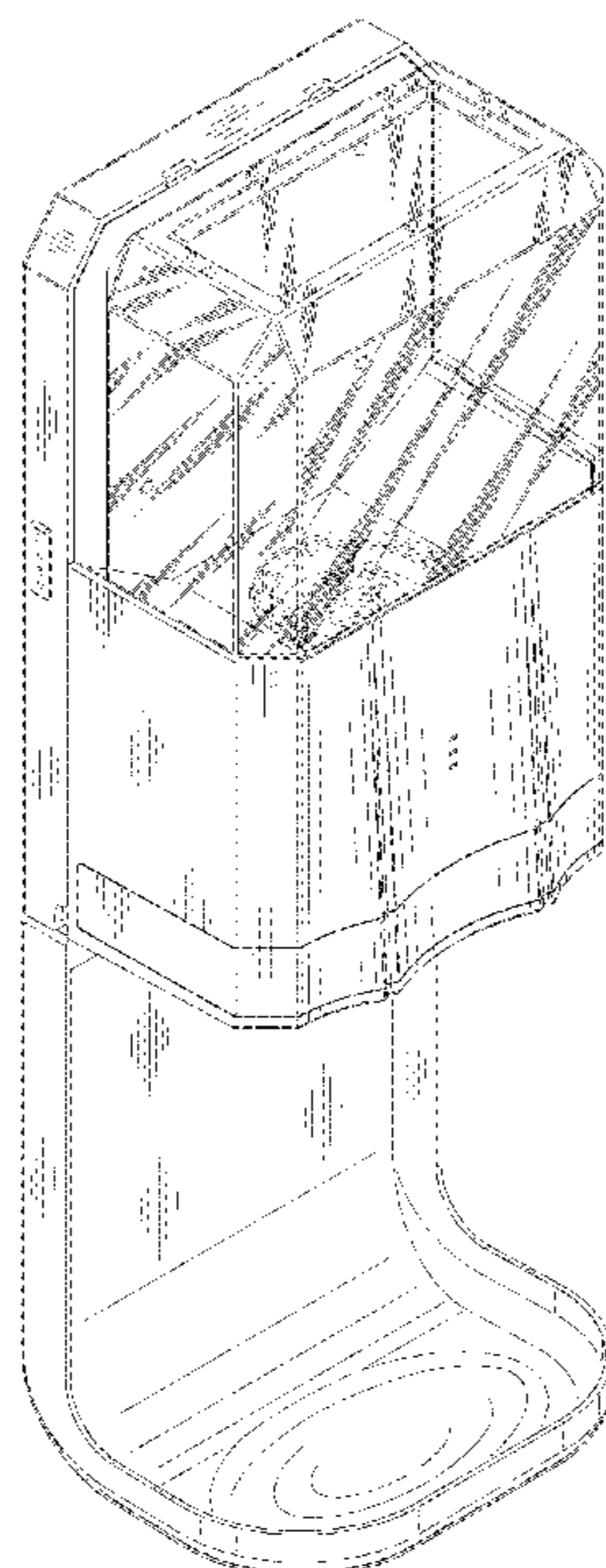
(57) **CLAIM**

The ornamental design for a dispenser for liquid soap, as shown and described.

**DESCRIPTION**

FIG. 1 is a perspective view of a dispenser for liquid soap, showing my new design;  
FIG. 2 is a front elevation view thereof;  
FIG. 3 is a rear elevation view thereof;  
FIG. 4 is a left side elevation view thereof;  
FIG. 5 is a right side elevation view thereof;  
FIG. 6 is a top plan view thereof;  
FIG. 7 is a bottom plan view thereof;  
FIG. 8 is another perspective view thereof; and,  
FIG. 9 is a perspective view showing the dispenser for liquid soap taken from a lower side.  
The broken lines shown in the figures illustrate environmental or other features that form no part of the claimed design.

**1 Claim, 9 Drawing Sheets**



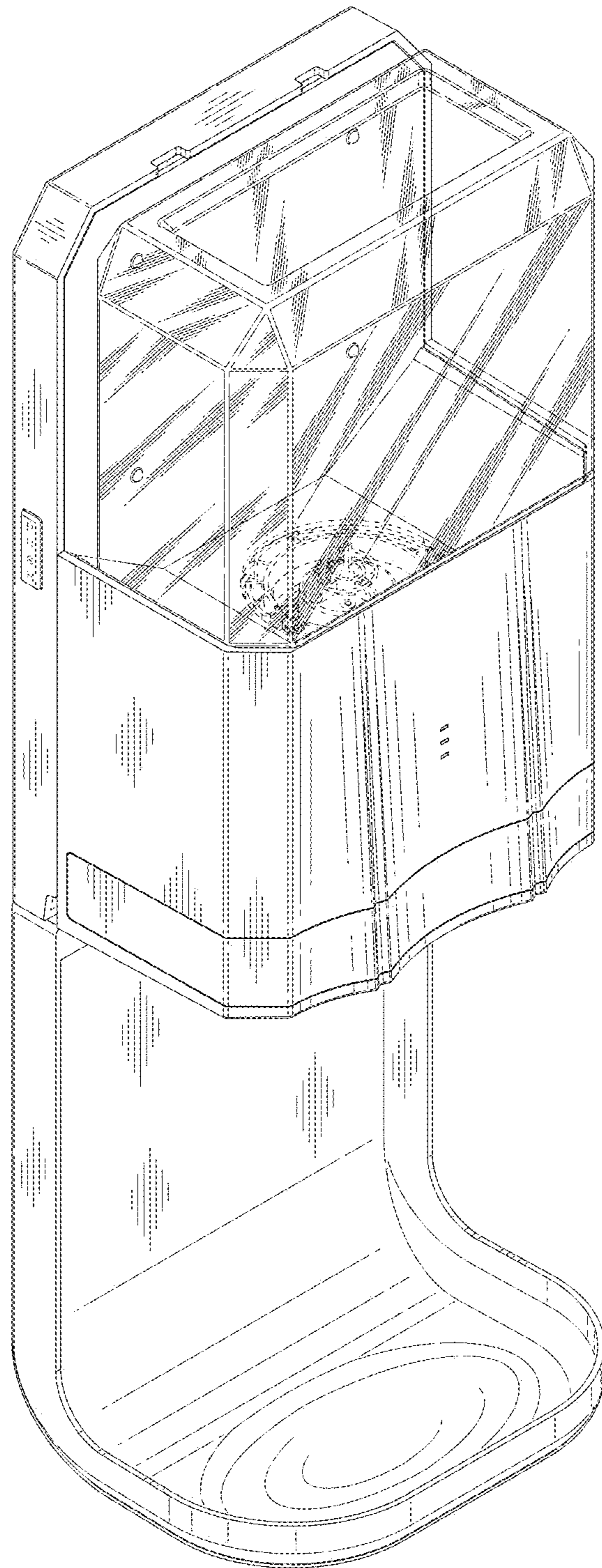


FIG. 1

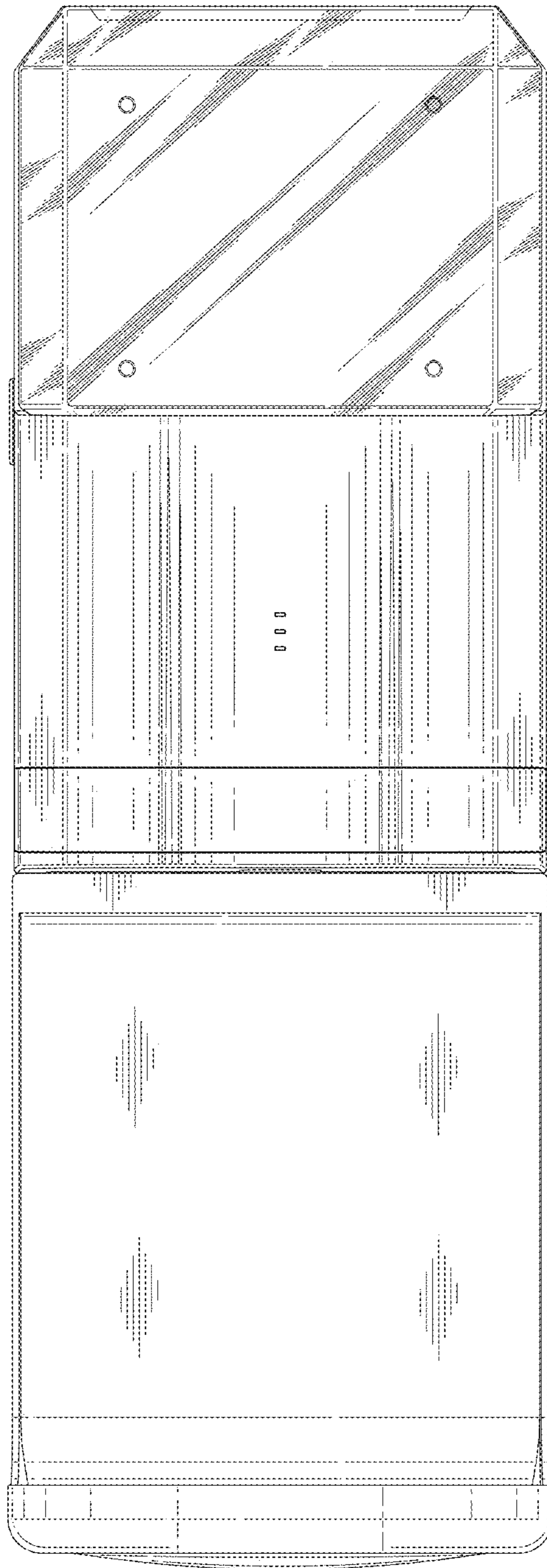


FIG.2

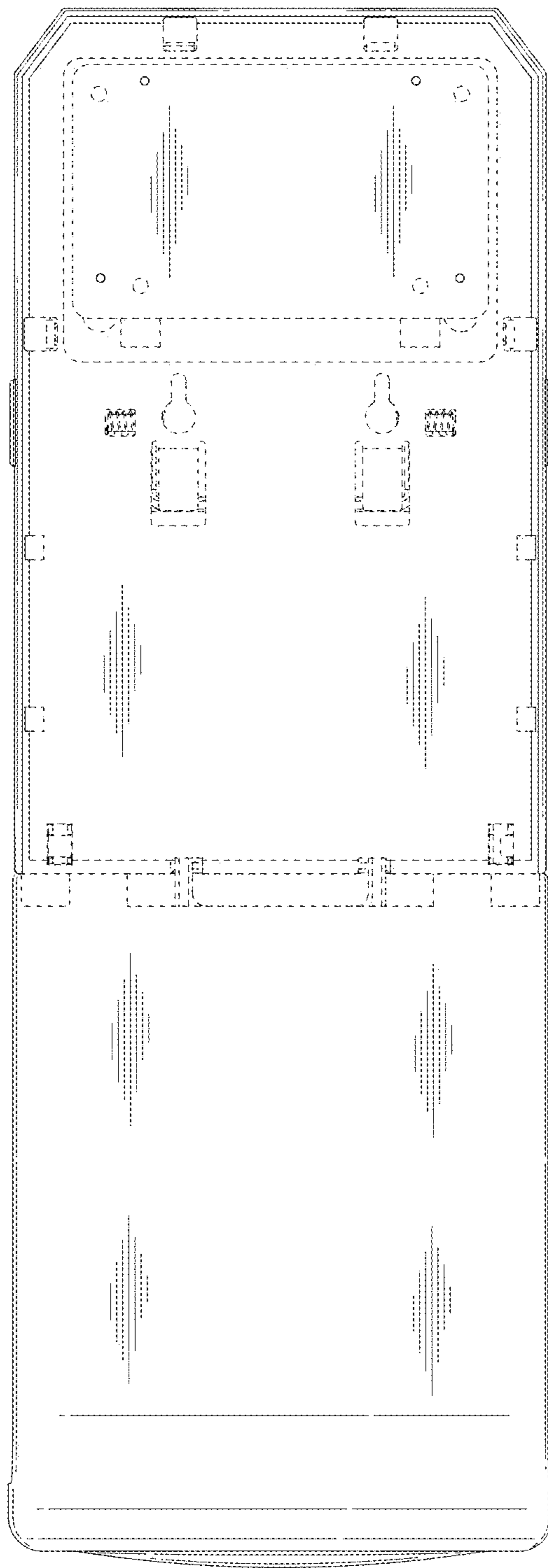


FIG.3

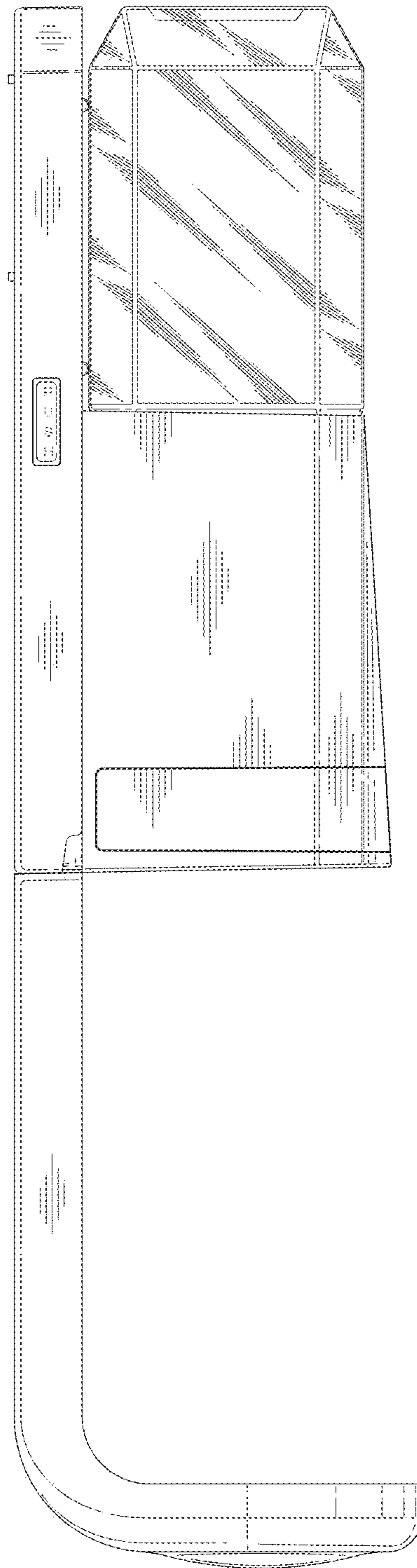


FIG. 4

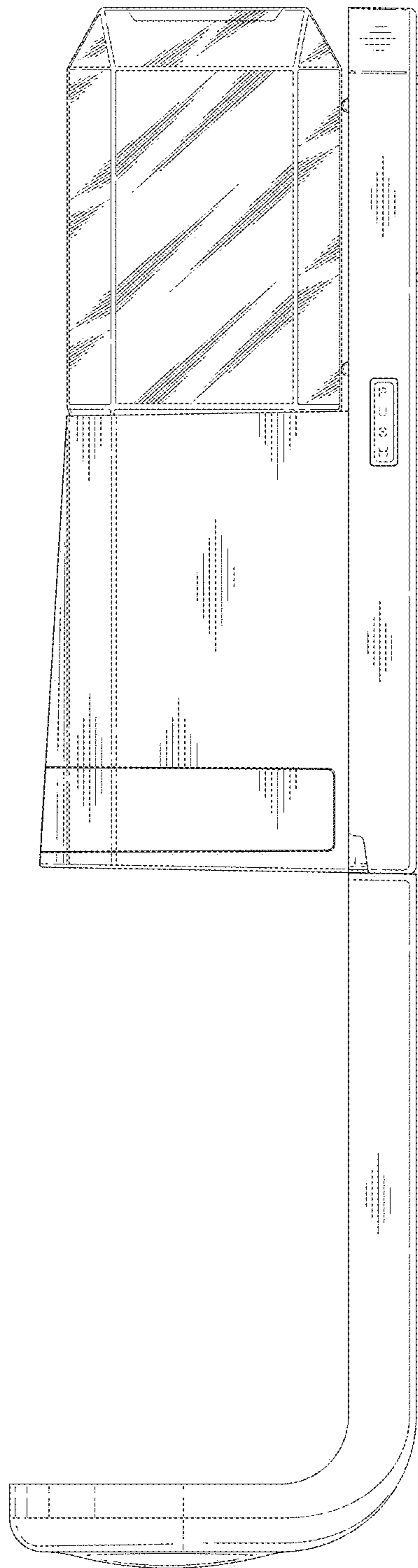


FIG.5

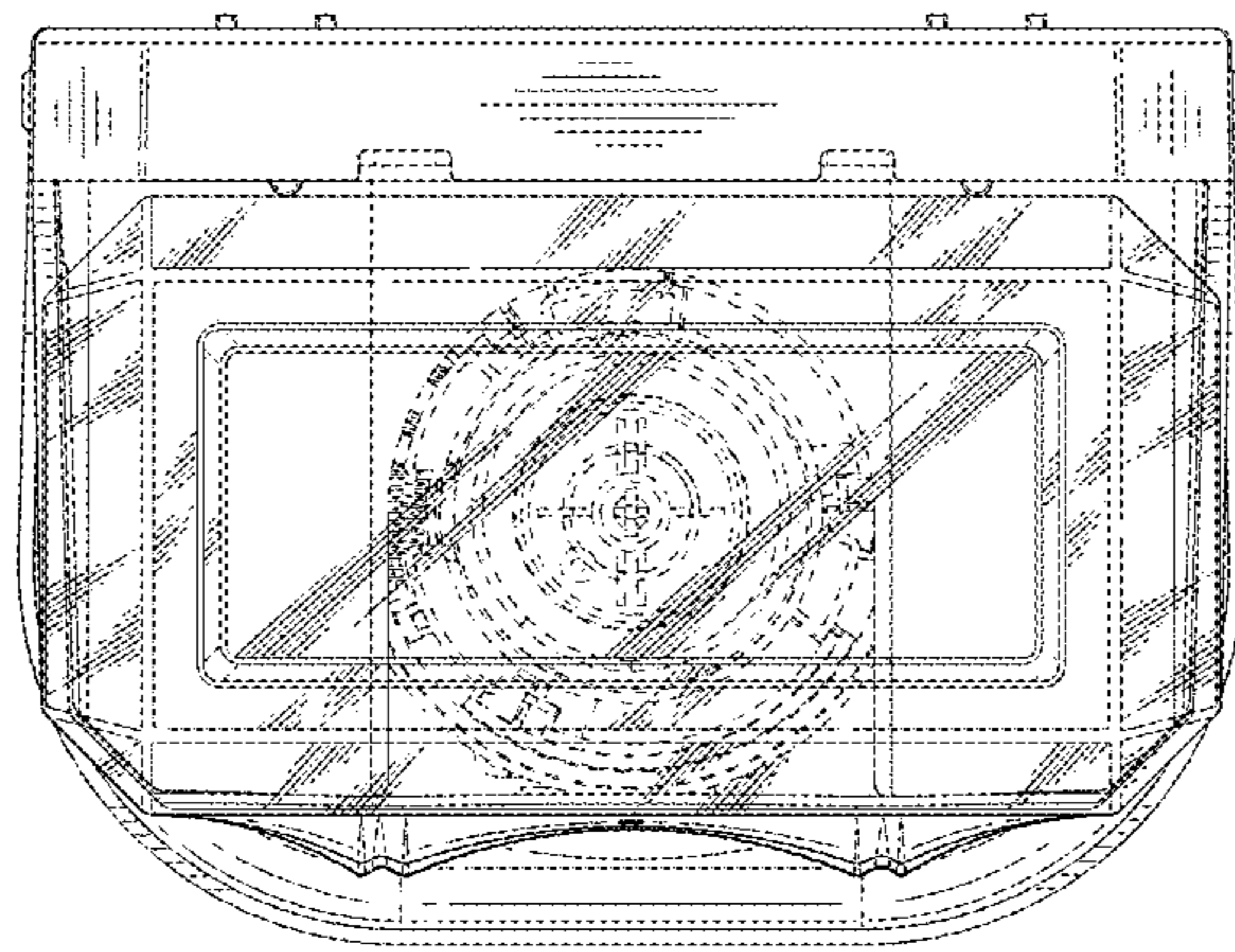


FIG.6

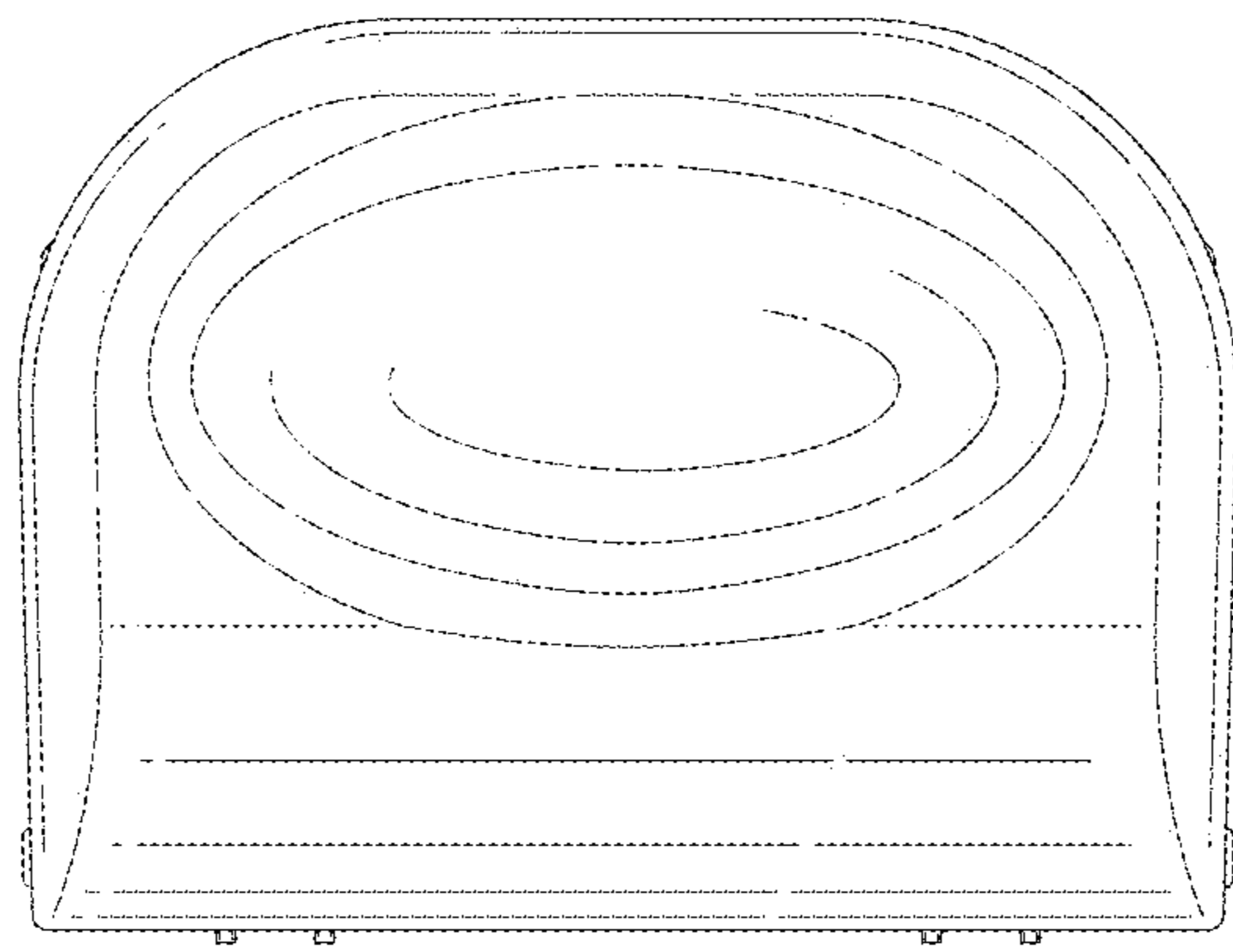


FIG. 7



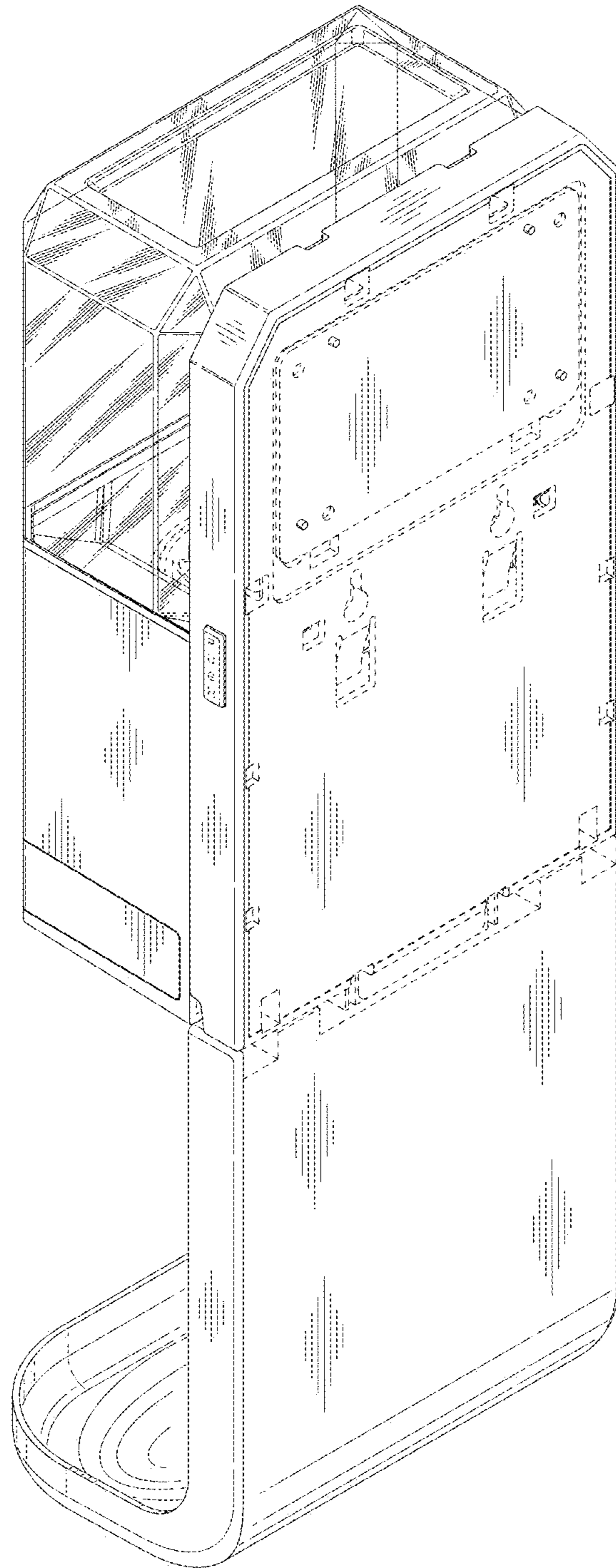


FIG.8

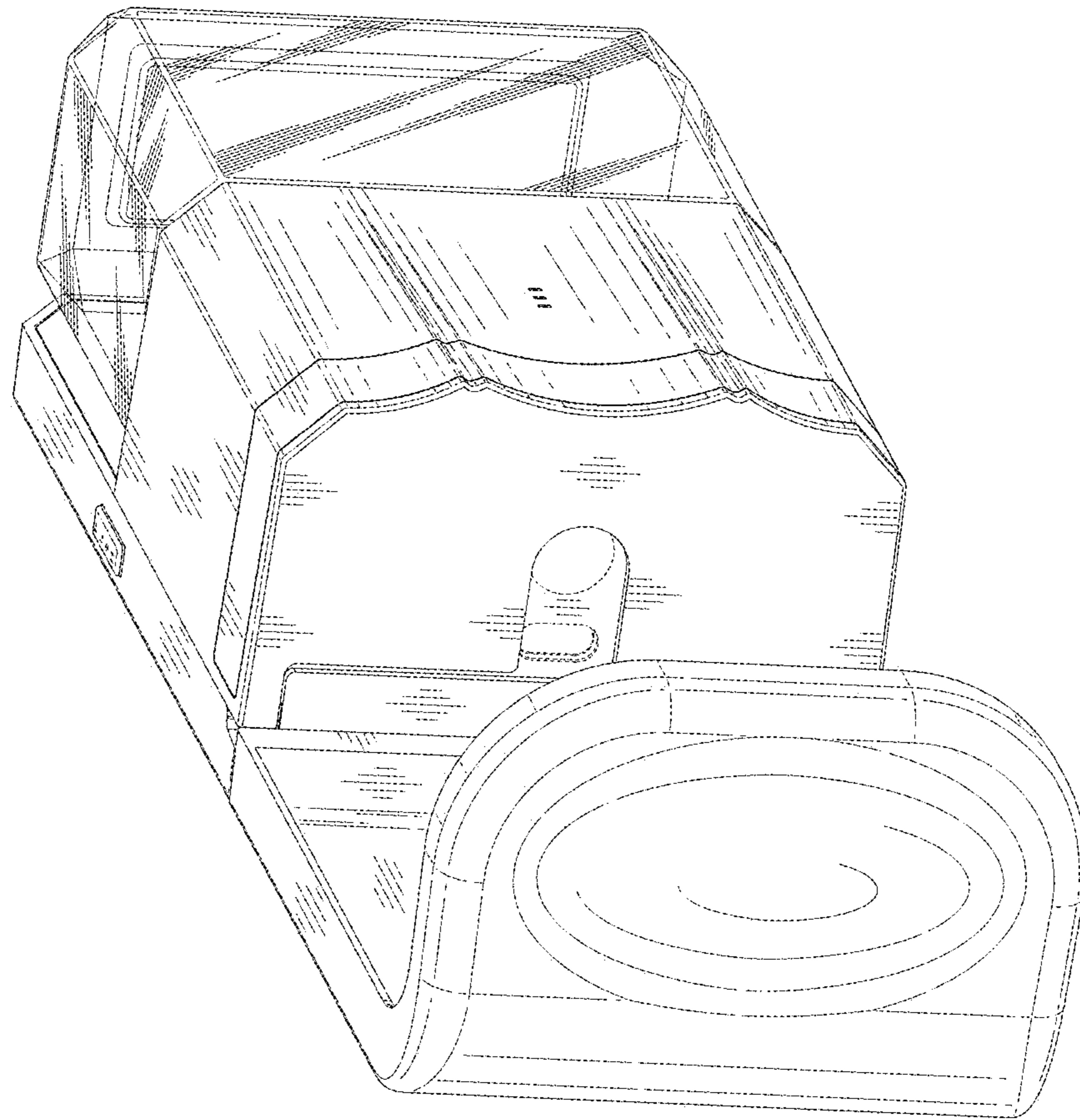


FIG.9