

US00D966736S

(12) **United States Design Patent**  
**Liu**

(10) **Patent No.:** **US D966,736 S**  
(45) **Date of Patent:** **\*\* Oct. 18, 2022**

- (54) **SHOWER CADDY**
- (71) Applicant: **Suzhou Roadpal Tech Co., Ltd.**,  
Suzhou (CN)
- (72) Inventor: **Yue Liu**, Suzhou (CN)
- (73) Assignee: **Suzhou Roadpal Tech Co., Ltd.**,  
Suzhou (CN)
- (\*\*) Term: **15 Years**
- (21) Appl. No.: **29/811,383**
- (22) Filed: **Oct. 13, 2021**
- (51) **LOC (13) Cl.** ..... **23-02**
- (52) **U.S. Cl.**  
USPC ..... **D6/525**
- (58) **Field of Classification Search**  
USPC ..... D6/524-525, 566, 536, 540, 567, 570;  
211/13.1, 74, 71.01, 86.01, 75, 88.01,  
211/90.01, 90.03, 106, 119, 126.1, 133.5,  
211/181.1, 134  
CPC ..... A47K 3/281; A47K 3/28; A47B 45/00;  
A47B 96/025; A47F 5/0093  
See application file for complete search history.

- D552,392 S \* 10/2007 Rosen ..... A47K 3/281  
D6/525
- D552,393 S \* 10/2007 Rosen ..... A47K 3/281  
D6/525
- D564,816 S \* 3/2008 Snider ..... A47K 3/281  
D6/525
- D566,439 S \* 4/2008 Dretzka ..... A47K 3/281  
D6/525
- D568,657 S \* 5/2008 Snider ..... A47K 3/281  
D6/525
- D572,061 S \* 7/2008 Snider ..... A47K 3/281  
D6/525
- D572,062 S \* 7/2008 Snider ..... A47K 3/281  
D6/525

(Continued)

**OTHER PUBLICATIONS**

Amazon.com, SMARTAKE Shower Caddy Over The Door, Stainless Steel Bathroom Shelf Organizer, Oct. 16, 2020, <https://www.amazon.com/SMARTAKE-Rustproof-Bathroom-Organizer-Stainless/dp/B082W5986D/> (Year: 2020).\*

*Primary Examiner* — Nathan M Johnston  
(74) *Attorney, Agent, or Firm* — True Shepherd, LLC;  
Andrew Cheng

(57) **CLAIM**

The ornamental design for a shower caddy, as shown and described.

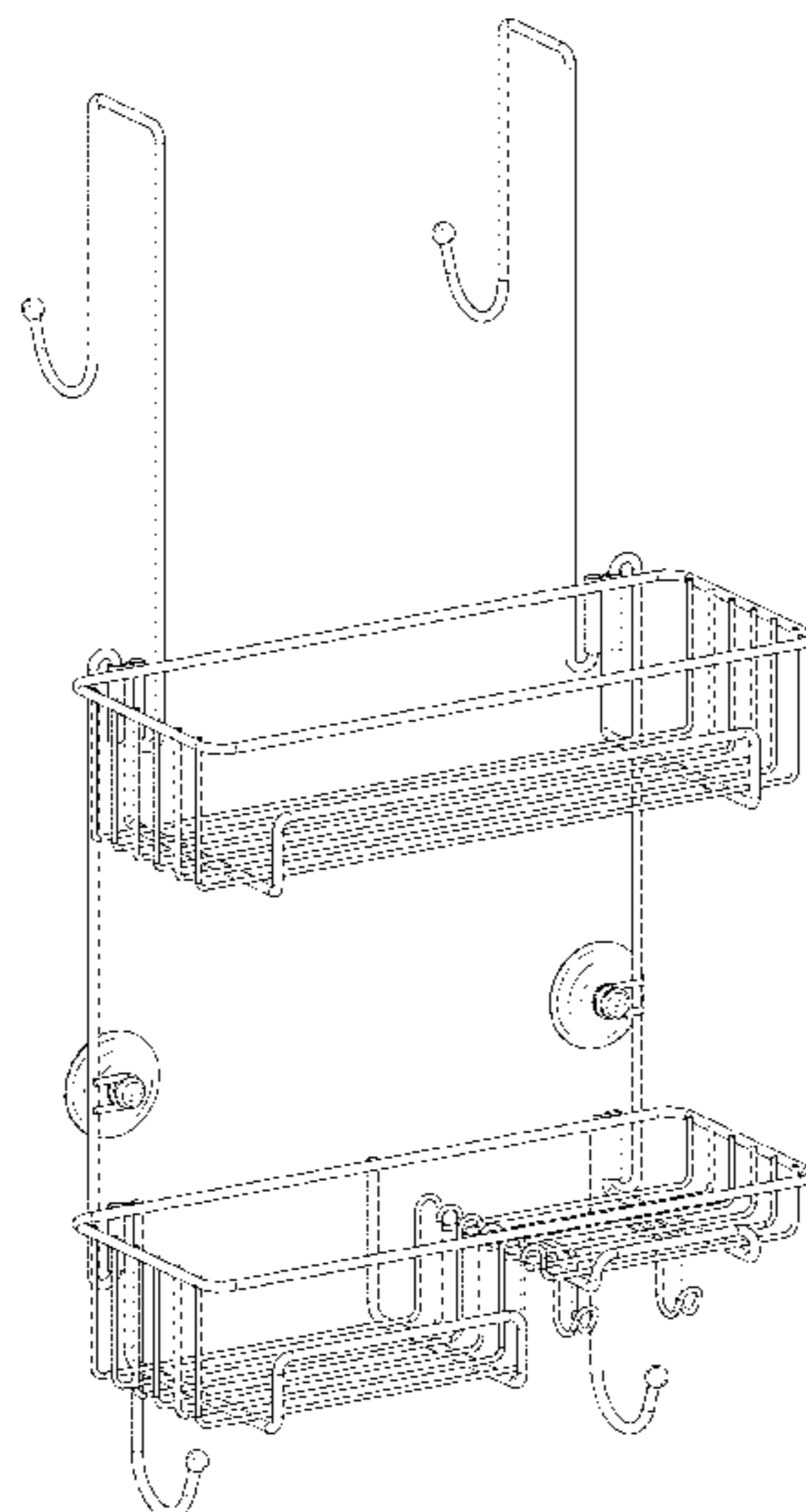
**DESCRIPTION**

FIG. 1 is a front, left and top perspective view of a shower caddy, showing my design.  
FIG. 2 is a front elevation view thereof.  
FIG. 3 is a rear elevation view thereof.  
FIG. 4 is a right side elevation view thereof.  
FIG. 5 is a left side elevation view thereof.  
FIG. 6 is a top plan view thereof; and,  
FIG. 7 is a bottom plan view thereof.

**1 Claim, 7 Drawing Sheets**

(56) **References Cited**  
U.S. PATENT DOCUMENTS

- D315,840 S \* 4/1991 Emery ..... D6/525
- D378,556 S \* 3/1997 Munoz ..... D6/525
- D446,670 S \* 8/2001 Emery ..... D6/525
- D473,411 S \* 4/2003 Walker ..... D6/525
- D477,947 S \* 8/2003 Snell ..... A47K 3/281  
D6/525
- D479,073 S \* 9/2003 Snell ..... A47K 3/281  
D6/525
- D479,074 S \* 9/2003 Snell ..... A47K 3/281  
D6/525
- D512,861 S \* 12/2005 Rosen ..... A47K 3/281  
D6/525
- D552,391 S \* 10/2007 Rosen ..... A47K 3/281  
D6/525



(56)

**References Cited**

U.S. PATENT DOCUMENTS

D575,087 S \* 8/2008 Ghiorghie ..... A47K 3/281  
D628,000 S \* 11/2010 Lindo ..... A47K 3/281  
D630,035 S \* 1/2011 Snider ..... A47K 3/281  
D632,513 S \* 2/2011 Cittadino ..... A47K 3/281  
D677,089 S \* 3/2013 Tawil ..... D6/525  
D714,571 S \* 10/2014 Walker ..... D6/525  
D718,071 S \* 11/2014 Snider ..... D6/525  
D718,554 S \* 12/2014 Snider ..... D6/525  
D723,834 S \* 3/2015 Tawil ..... D6/525  
D728,260 S \* 5/2015 Snider ..... D6/525

\* cited by examiner

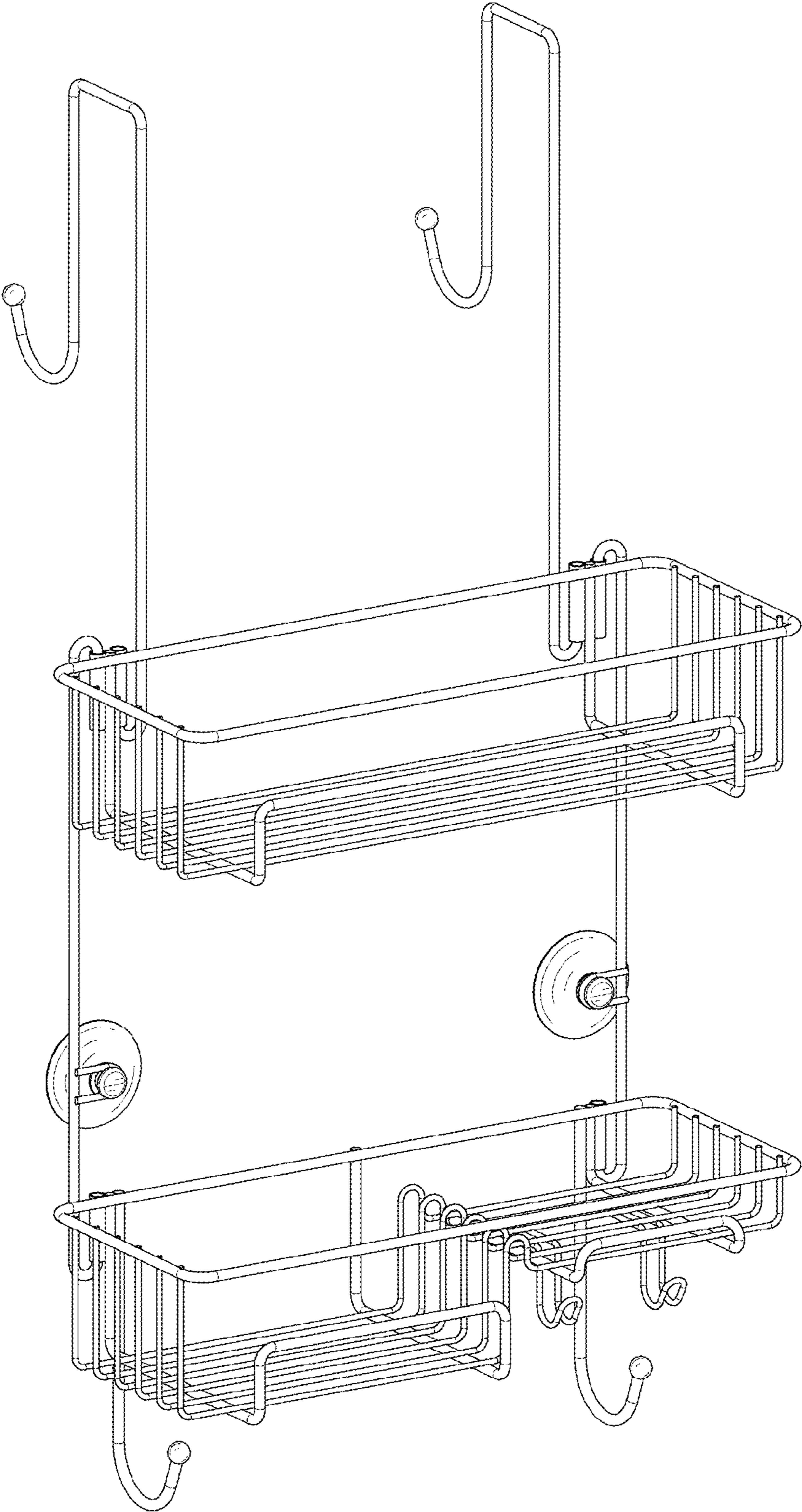


FIG. 1

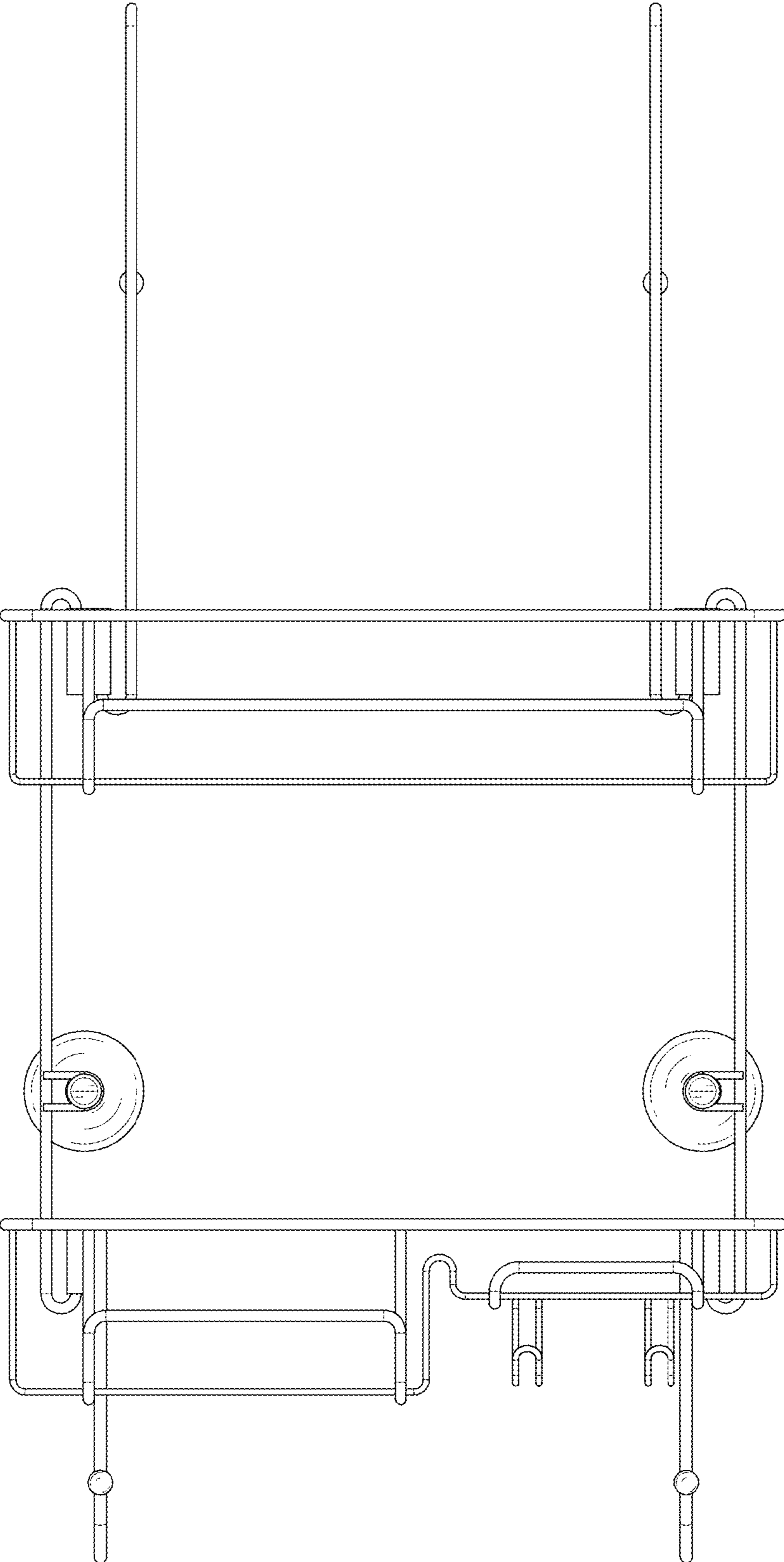


FIG. 2

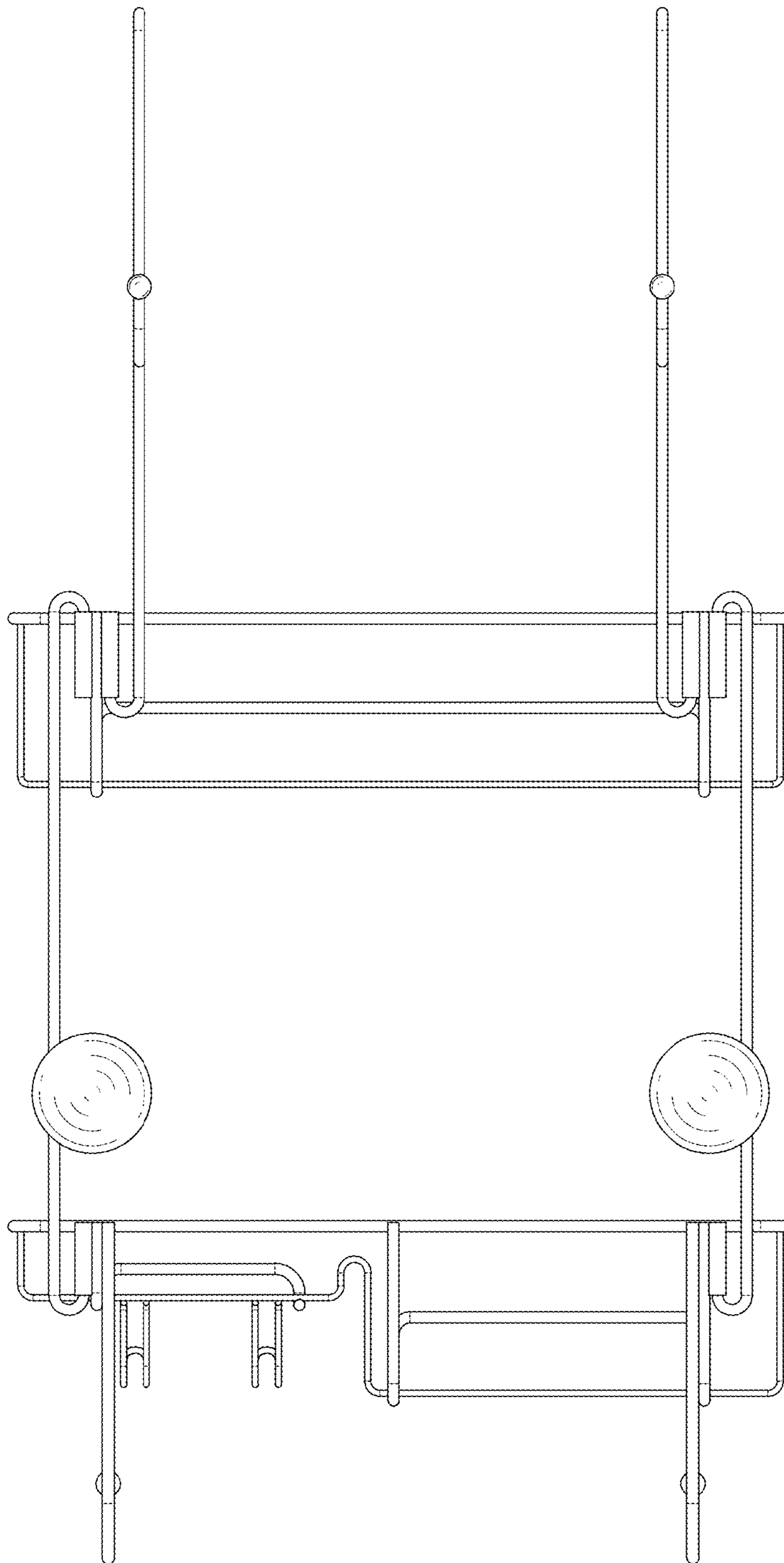


FIG. 3



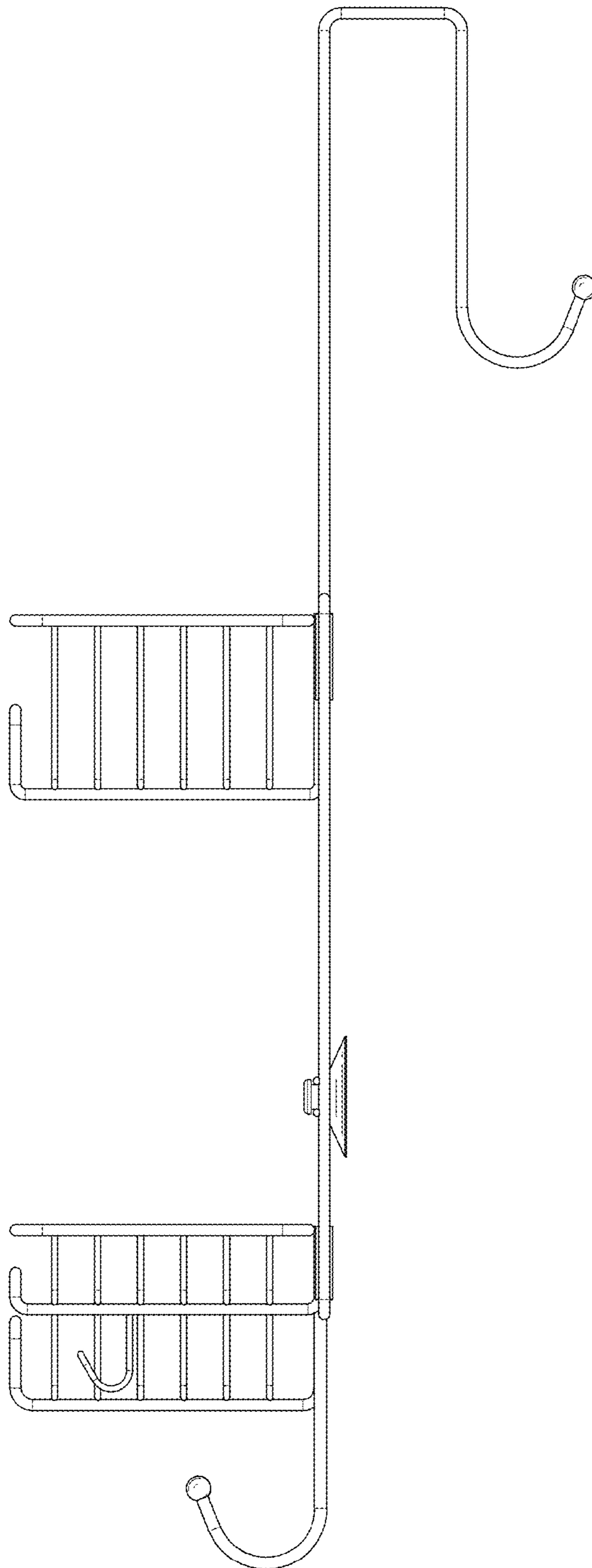


FIG. 4

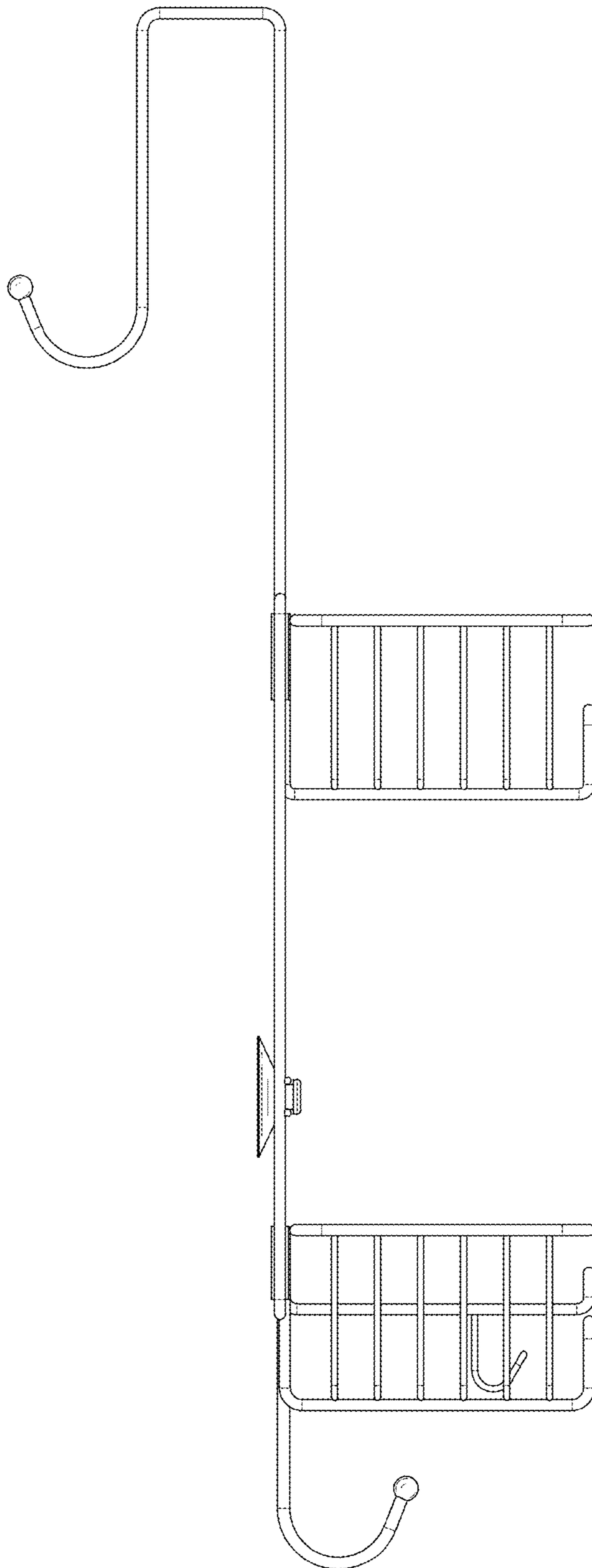


FIG. 5

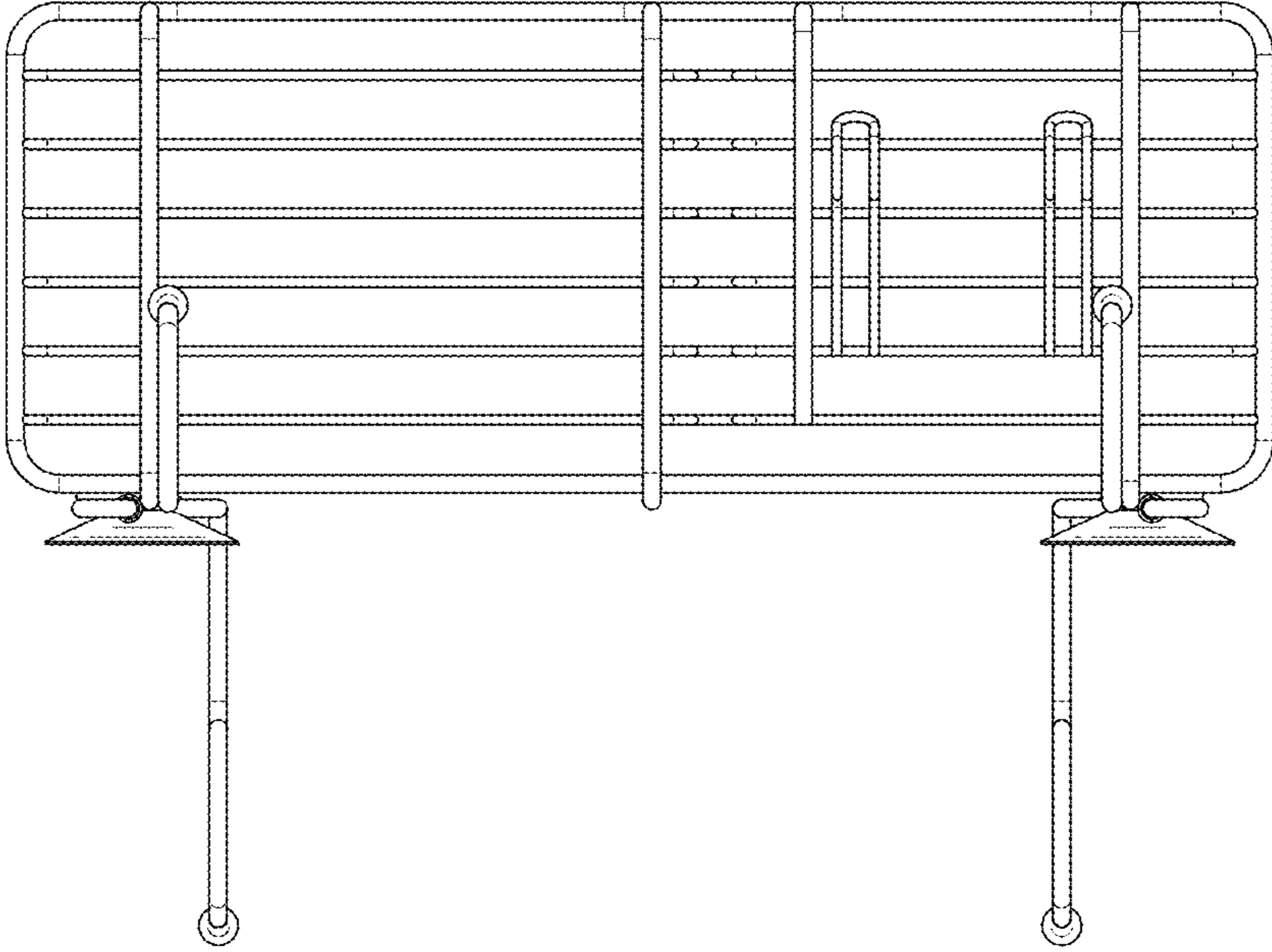


FIG. 6



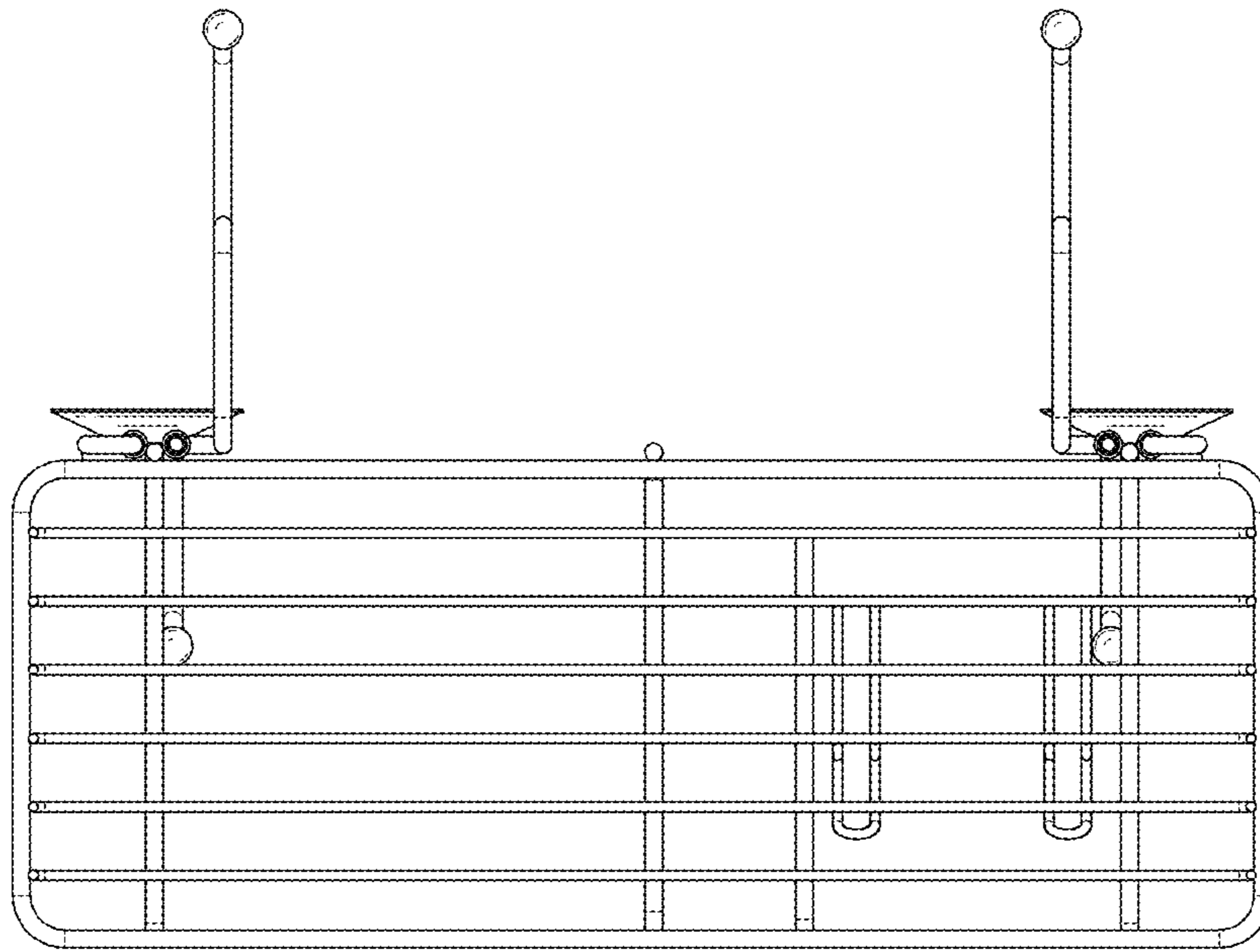


FIG. 7