



US00D966735S

(12) **United States Design Patent** (10) **Patent No.:** **US D966,735 S**
Zeng (45) **Date of Patent:** **** Oct. 18, 2022**

(54) **TISSUE HOLDER**

(71) Applicant: **Jinming Zeng**, Chaozhou (CN)

(72) Inventor: **Jinming Zeng**, Chaozhou (CN)

(**) Term: **15 Years**

(21) Appl. No.: **29/790,911**

(22) Filed: **Dec. 21, 2021**

(51) **LOC (13) Cl.** **23-08**

(52) **U.S. Cl.**
USPC **D6/523; D6/522**

(58) **Field of Classification Search**
USPC D6/521, 522, 523, 524, 518, 546, 549,
D6/553, 567, 681, 681.1, 681.2; D8/315;
D7/393

CPC B65H 16/02; A47K 10/3836; A47F
2009/044

See application file for complete search history.

(56) **References Cited**

U.S. PATENT DOCUMENTS

D408,188 S	*	4/1999	Kuo	D6/546
D432,840 S	*	10/2000	Solowiej	D6/549
D436,776 S	*	1/2001	Chen	D6/524
D442,407 S	*	5/2001	Solowiej	D6/524
D454,744 S	*	3/2002	Ou-Young	D6/550
D455,588 S	*	4/2002	Ou-Young	D6/523
D477,730 S	*	7/2003	Hoernig	D6/521
D477,731 S	*	7/2003	Hoernig	D6/523
D504,309 S	*	4/2005	Fuchs	D8/367
D521,294 S	*	5/2006	Ferrer Beltran	D6/546
D532,228 S	*	11/2006	Snell	D6/522
D544,269 S	*	6/2007	Hoernig	D6/549
D811,118 S		2/2018	Garland		
D853,747 S		7/2019	Bahler		
D911,735 S		3/2021	Spangler		

OTHER PUBLICATIONS

Matte Black Toilet Paper Holder, available in Amazon.com, date first available Dec. 29, 2020 [online], Retrieved on Aug. 8, 2022 from URL: <https://www.amazon.com/LKKL-Bathroom-Adhesive-Dispenser-Stainless/dp/B08RHY9KJ3> (Year: 2020).*

Tavern Toilet Paper Holder, available in houseofantiquehardware.com, earliest available date May 3, 2016 Year 2016 [online], Retrieved on Aug. 17, 2022 from URL: <https://www.houseofantiquehardware.com/tavern-toilet-paper-holder> (Year: 2016).*

BATHSIR Antique Brass Towel Bar Set, available in Amazon.com, date first available Jan. 9, 2019 [online], Retrieved on Aug. 17, 2022 from URL: <https://www.amazon.com/BATHSIR-Antique-Bathroom-Hardware-Accessories/dp/B07MJG4WV6?th=1> (Year: 2019).*

* cited by examiner

Primary Examiner — Vy N Koenig

Assistant Examiner — Michelle M Reeves

(74) *Attorney, Agent, or Firm* — Zhihua Han

(57) **CLAIM**

The ornamental design for a tissue holder, as shown and described.

DESCRIPTION

FIG. 1 is a first perspective view of a tissue holder showing my new design;

FIG. 2 is a second perspective view thereof;

FIG. 3 is a front view thereof;

FIG. 4 is a back view thereof;

FIG. 5 is a left side view thereof;

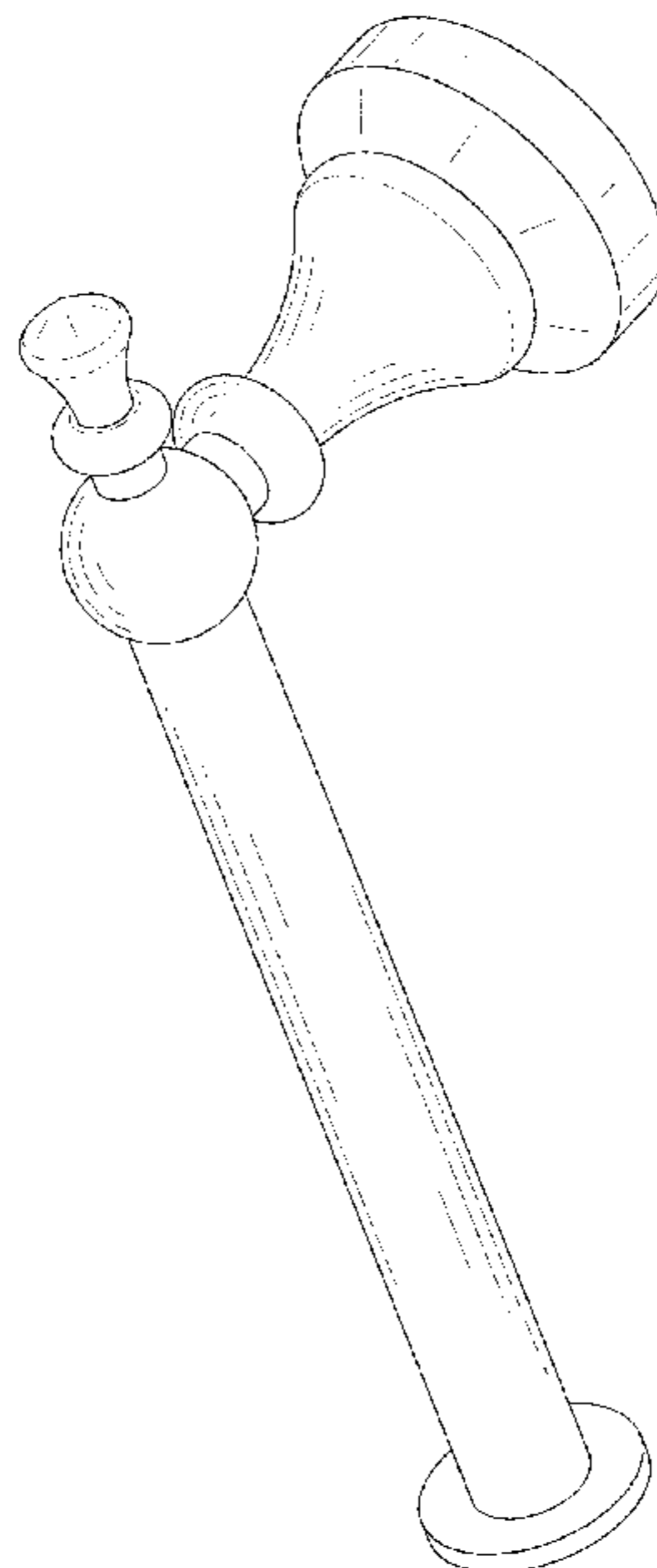
FIG. 6 is a right side view thereof;

FIG. 7 is a top view thereof; and,

FIG. 8 is a bottom view thereof.

The broken lines shown in the drawings depict portions of the tissue holder in, which the design is embodied that form no part of the claimed design.

1 Claim, 8 Drawing Sheets



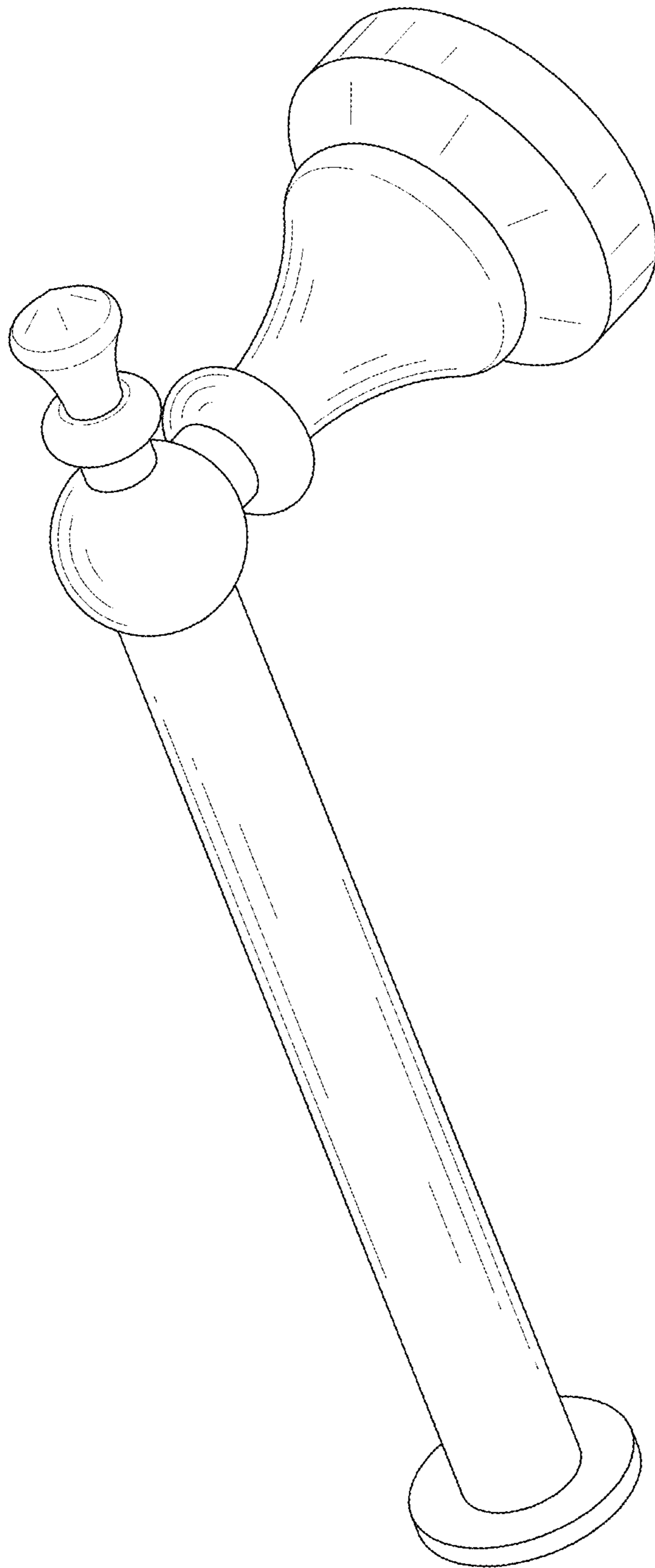


FIG. 1

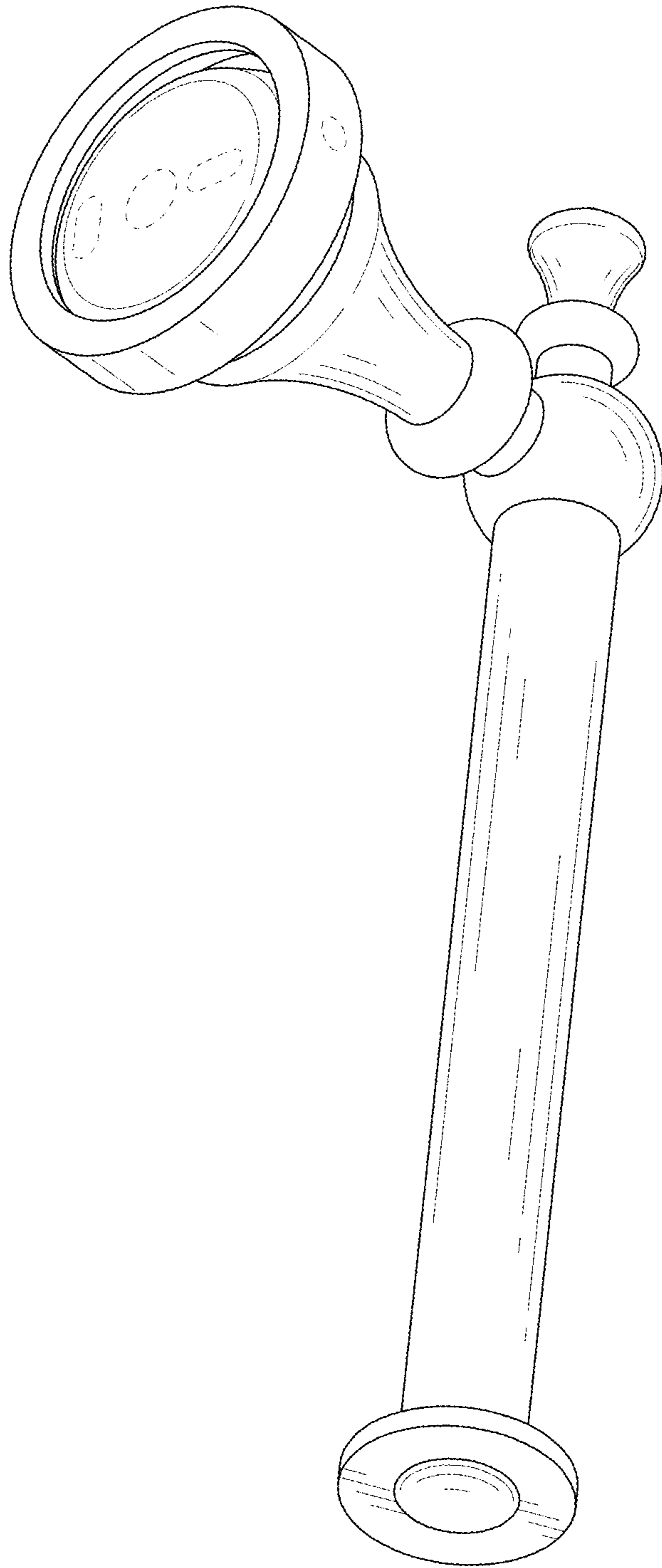


FIG. 2

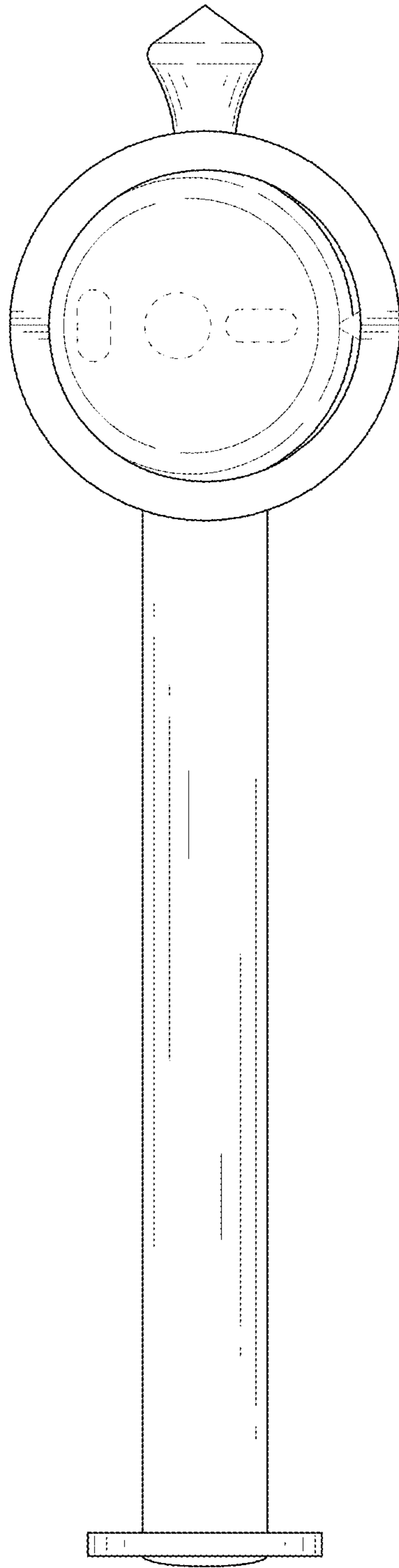


FIG. 3

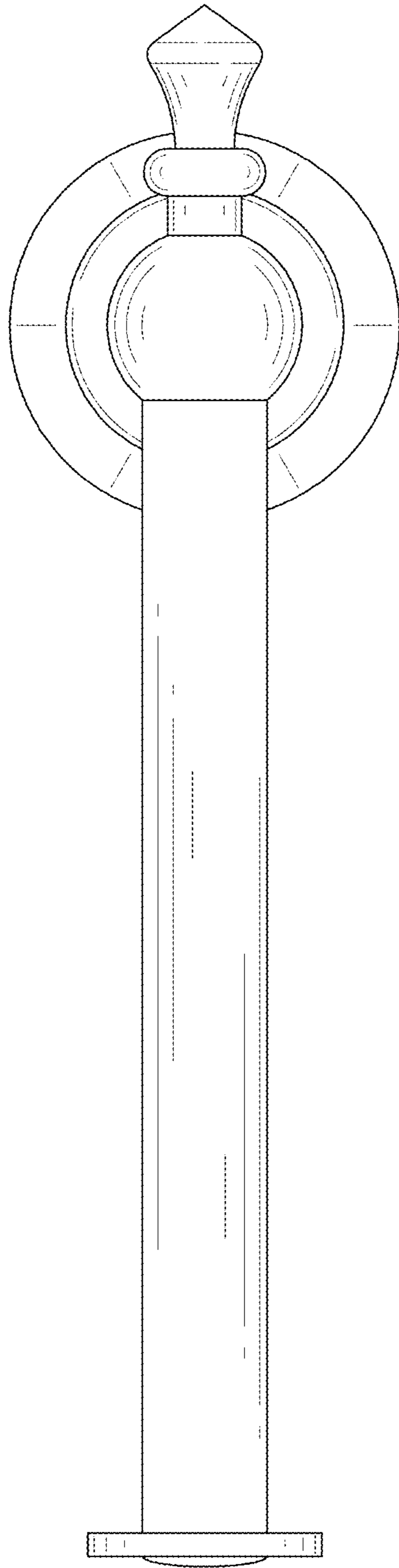


FIG. 4

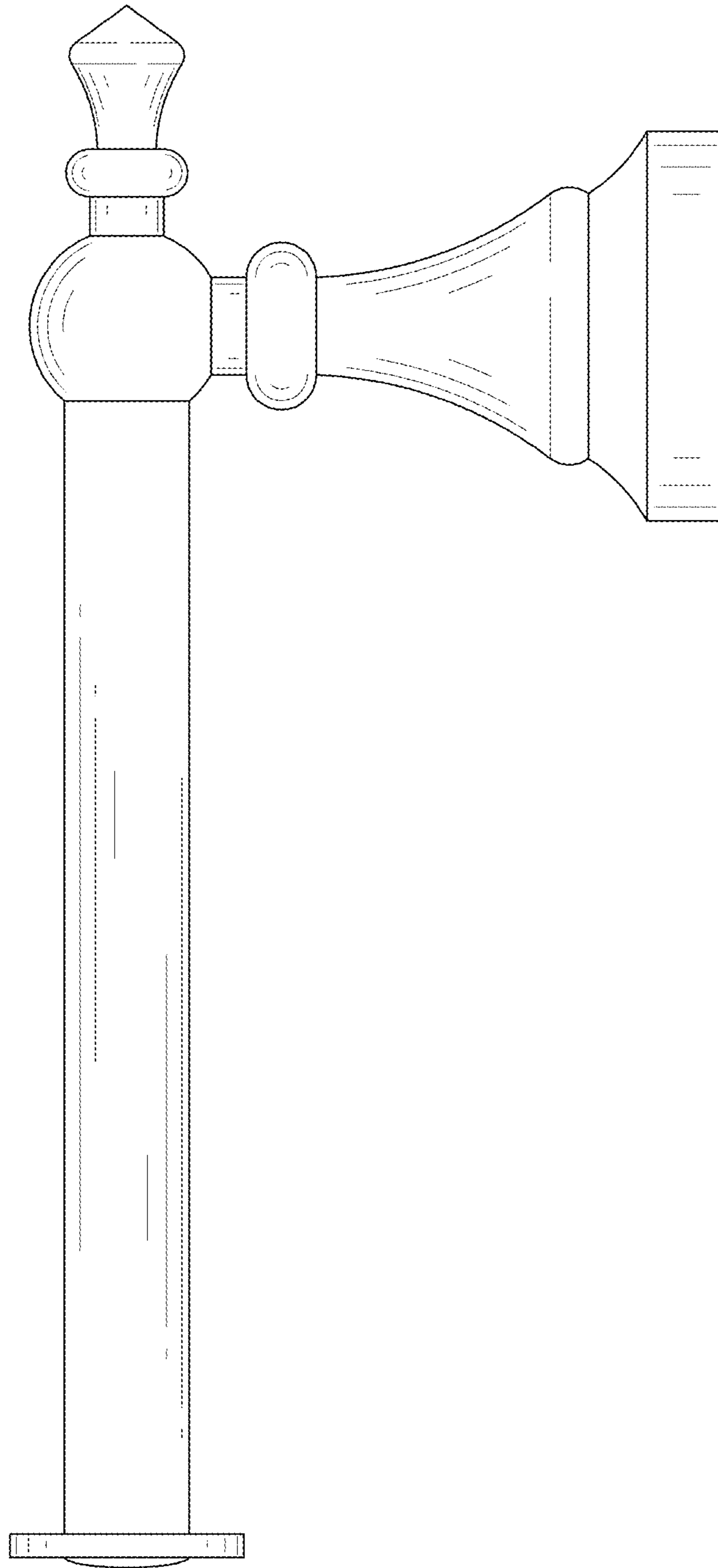


FIG. 5

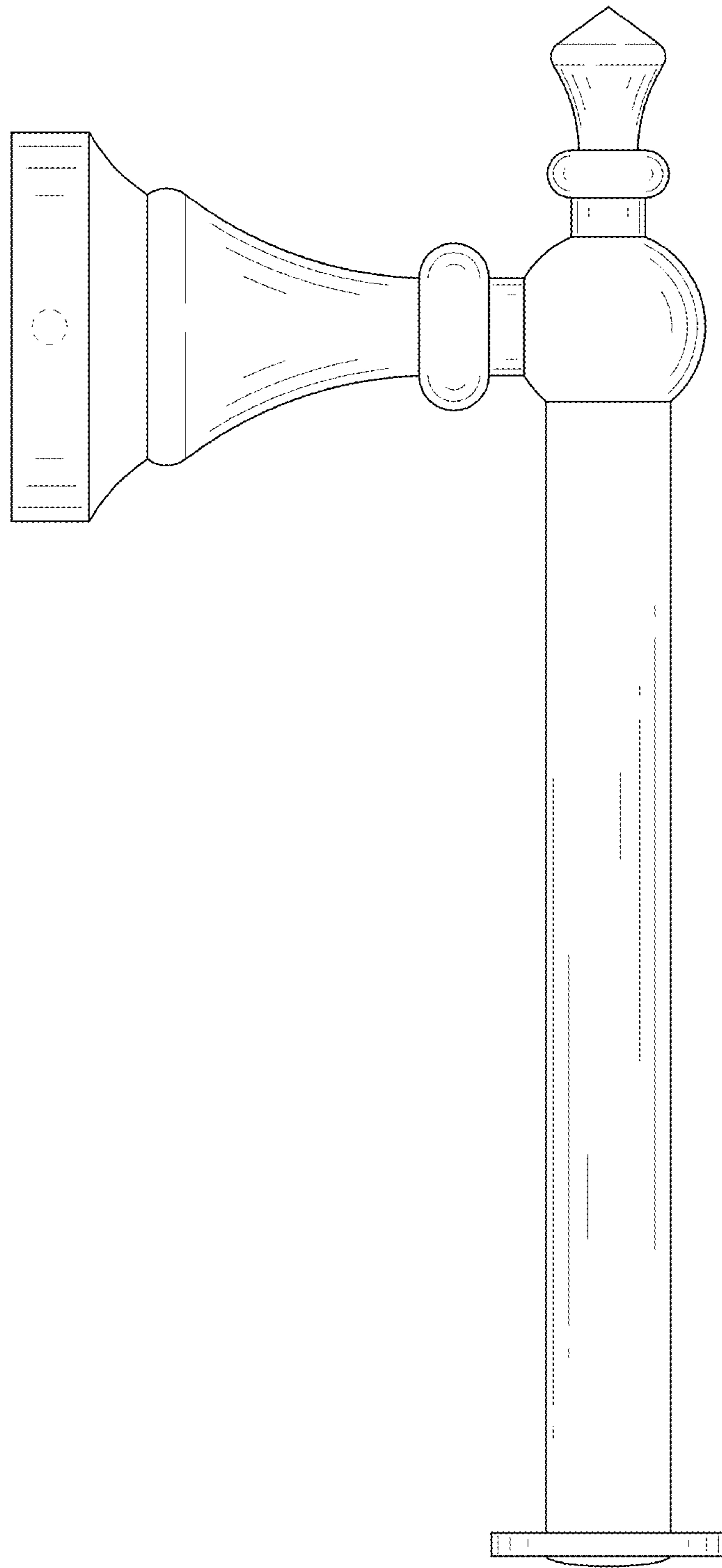


FIG. 6

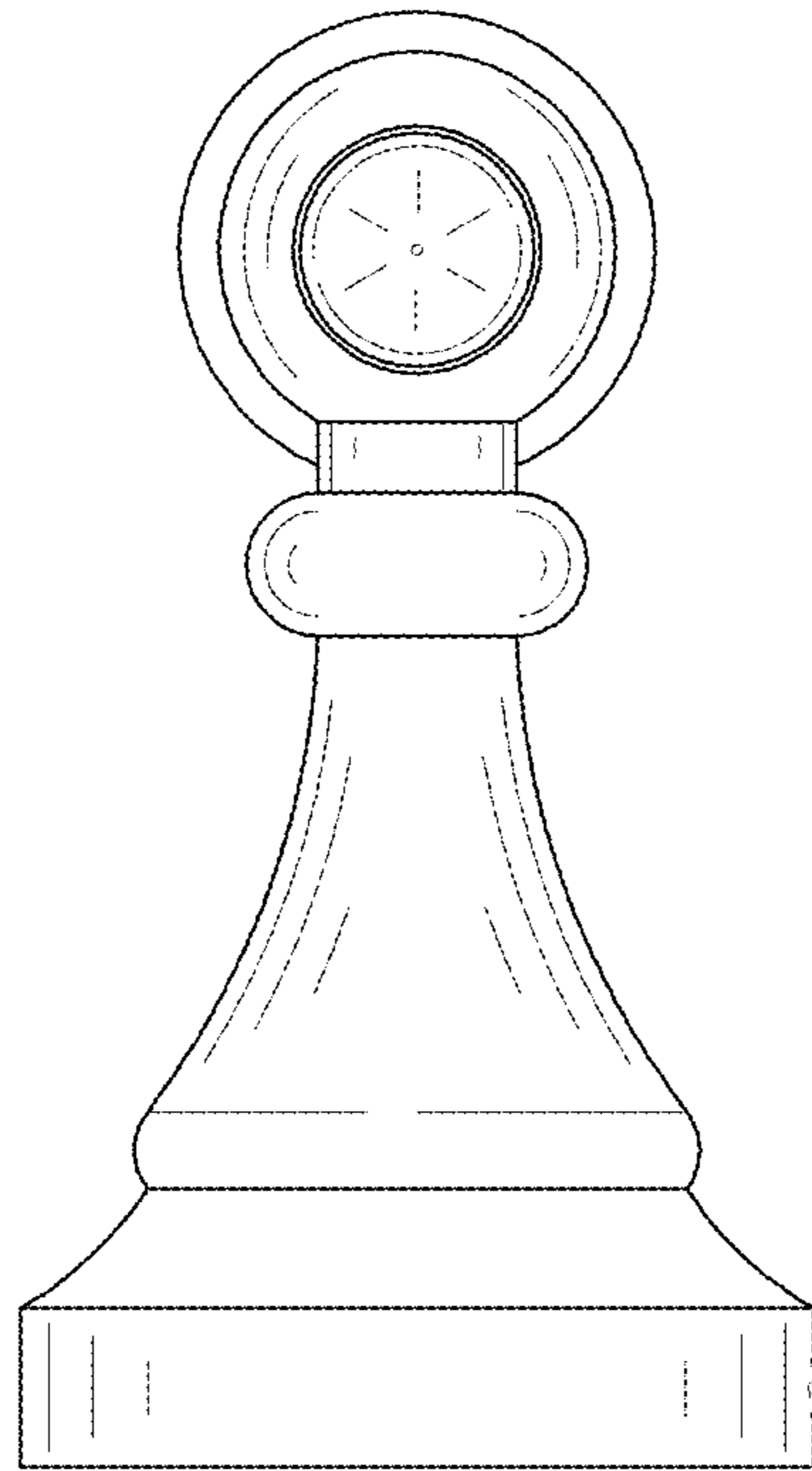


FIG. 7

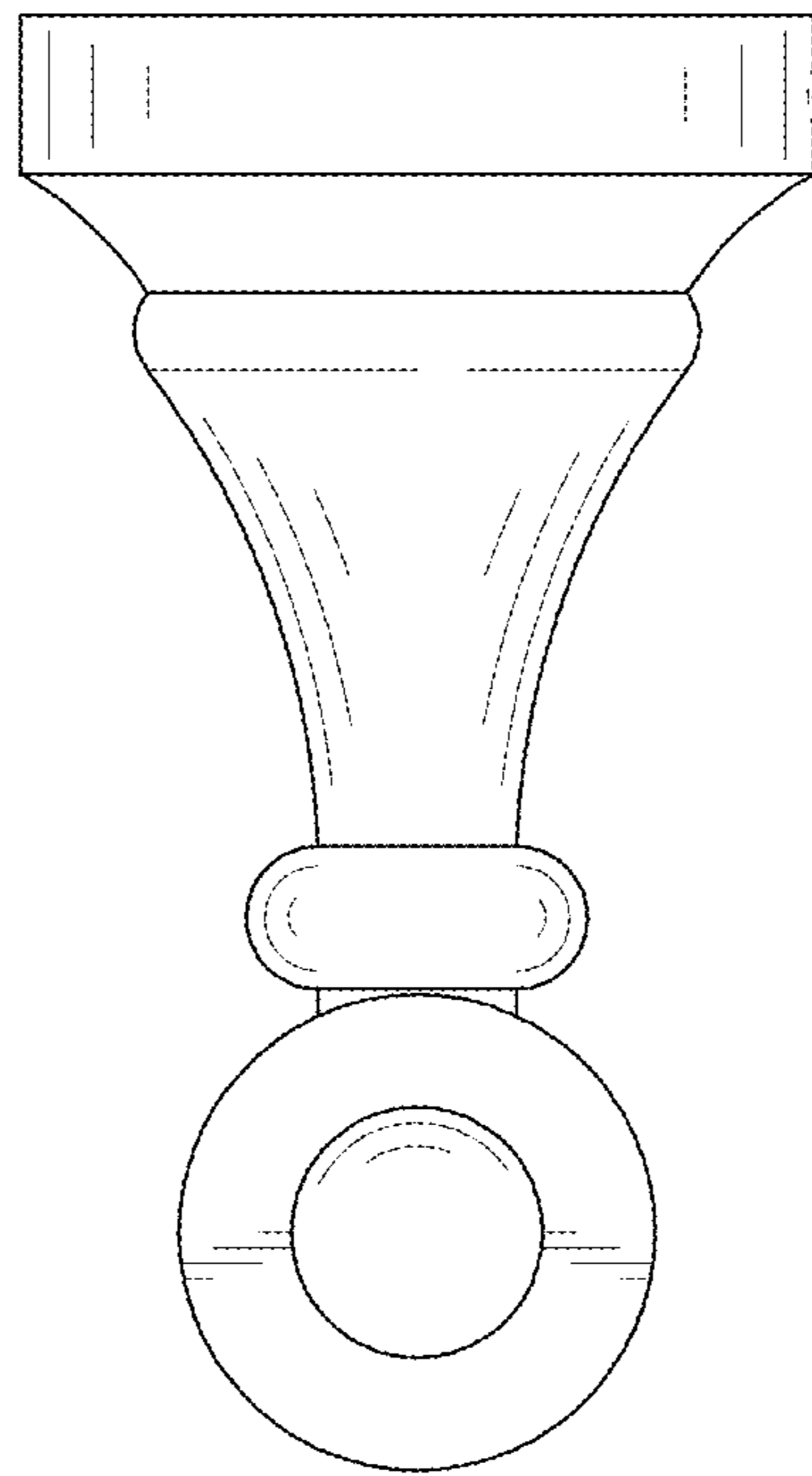


FIG. 8