



US00D966734S

(12) **United States Design Patent**
Long

(10) **Patent No.:** **US D966,734 S**
(45) **Date of Patent:** **** Oct. 18, 2022**

(54) **WRAP DISPENSER WITH CUTTER**

(71) Applicant: **Dan Long**, Shenzhen (CN)

(72) Inventor: **Dan Long**, Shenzhen (CN)

(**) Term: **15 Years**

(21) Appl. No.: **29/834,342**

(22) Filed: **Apr. 11, 2022**

(51) **LOC (13) Cl.** **20-02**

(52) **U.S. Cl.**
USPC **D6/520**

(58) **Field of Classification Search**
USPC D6/515-523; D9/307, 521, 529, 419,
D9/420; D3/20, 301, 201, 304; D34/10;
D19/67, 134; D7/601, 631, 632
CPC A47F 7/021; A47F 5/05; A47F 7/00; A47F
1/126; A47F 7/163; A47F 13/08; A47K
10/40; A47K 10/3836; A47K 10/16;
A47K 2010/3266; A47K 10/42; A47K
10/426; B66D 1/7442; B65D 85/00;
B65D 81/00; B65D 81/22; B65D 83/0805
See application file for complete search history.

(56) **References Cited**

U.S. PATENT DOCUMENTS

D162,809 S *	4/1951	Gay	D27/176
D364,298 S *	11/1995	Phifer	D6/515
D392,482 S *	3/1998	Seenath	D9/418
D421,863 S *	3/2000	Tetreault	D6/657
D453,265 S	2/2002	Way		
D471,705 S	3/2003	Way		

D523,267 S *	6/2006	Mays-Hobbs	D6/518
D530,947 S *	10/2006	Garcia-Elste	D6/520
D645,220 S *	9/2011	Yang	D34/10
D670,517 S *	11/2012	Murphy	D6/515
D681,378 S *	5/2013	Murphy	D6/515
D681,986 S *	5/2013	Murphy	D6/515
D683,986 S *	6/2013	Murphy	D6/515
D686,842 S *	7/2013	Murphy	D6/515
D686,843 S *	7/2013	Murphy	D6/515

OTHER PUBLICATIONS

Amazon.com. SpaceAid WrapNeat 3 in 1 Wrap Dispenser with Cutter and Labels, Nov. 12, 2021, <https://www.amazon.com/dp/B09FPFTMVX/> (Year: 2021).*

* cited by examiner

Primary Examiner — Nathan M Johnston

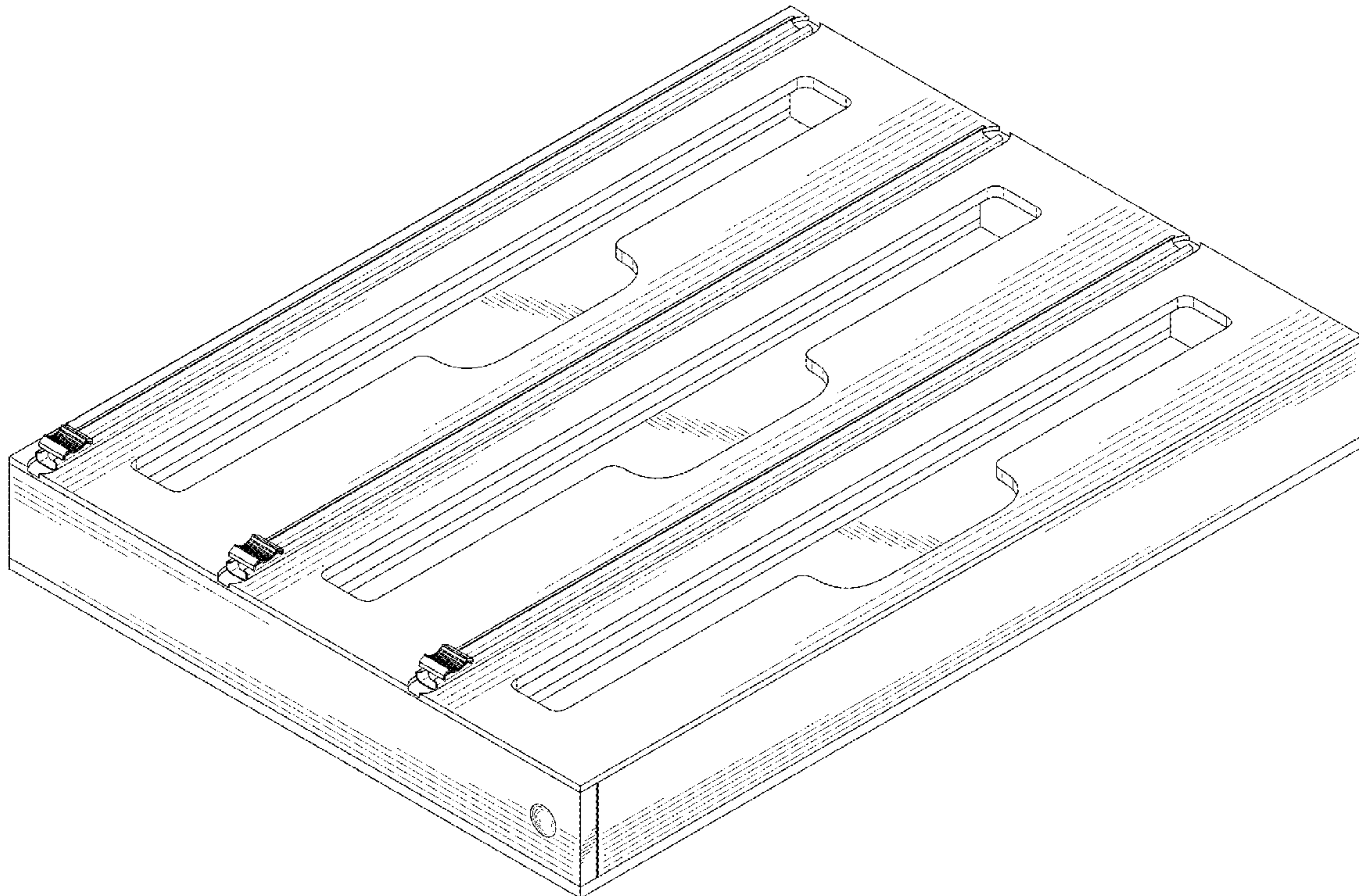
(57) **CLAIM**

The ornamental design for a wrap dispenser with cutter, as shown and described.

DESCRIPTION

FIG. 1 is a front, left and bottom perspective view of a wrap dispenser with cutter showing my new design; FIG. 2 is a right, rear and top perspective View thereof; FIG. 3 is a top plan view thereof; FIG. 4 is a bottom plan view thereof; FIG. 5 is a front view thereof; FIG. 6 is a rear view thereof; FIG. 7 is a left side view thereof; and, FIG. 8 is a right side view thereof.

1 Claim, 6 Drawing Sheets



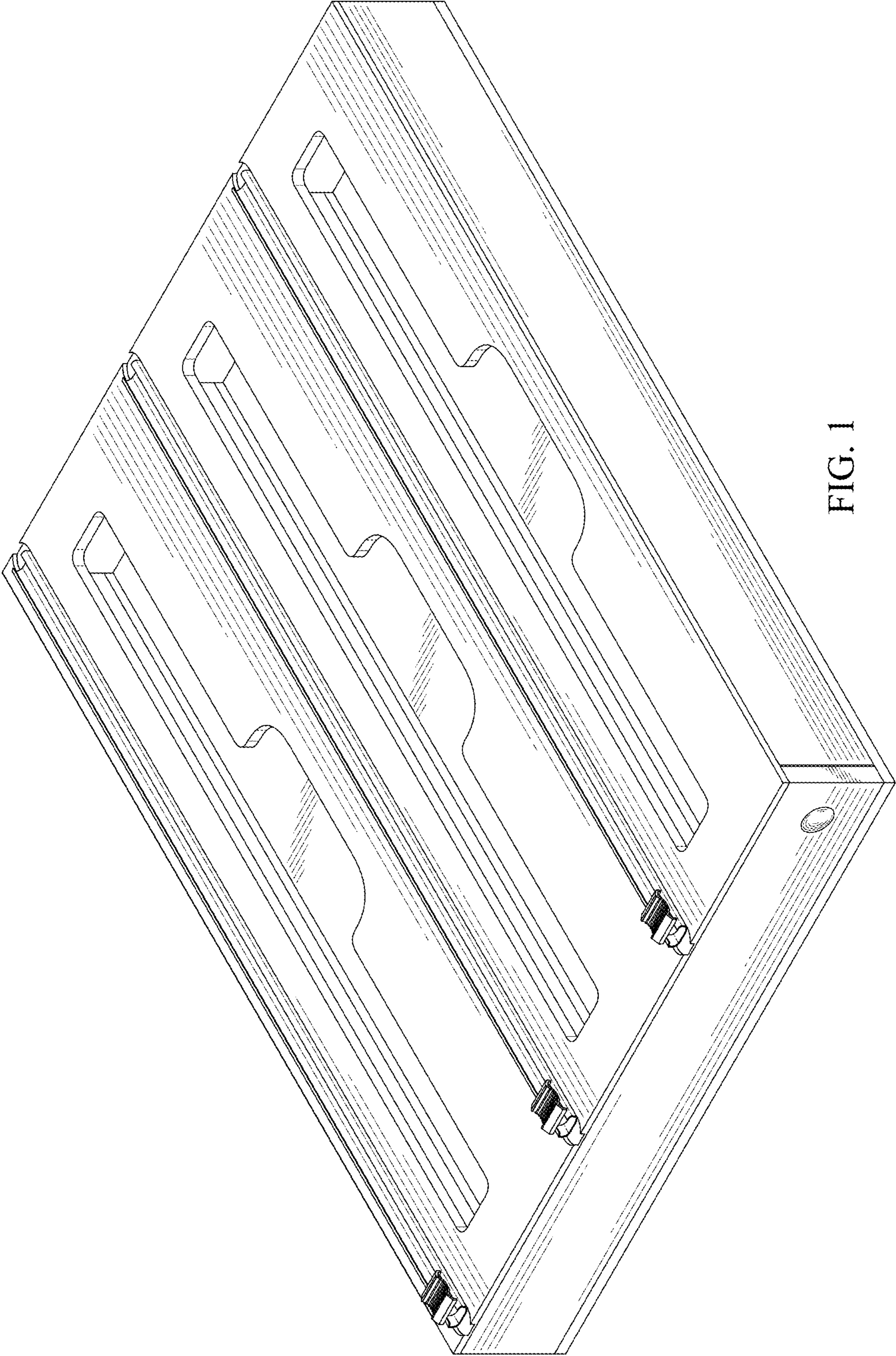


FIG. 1

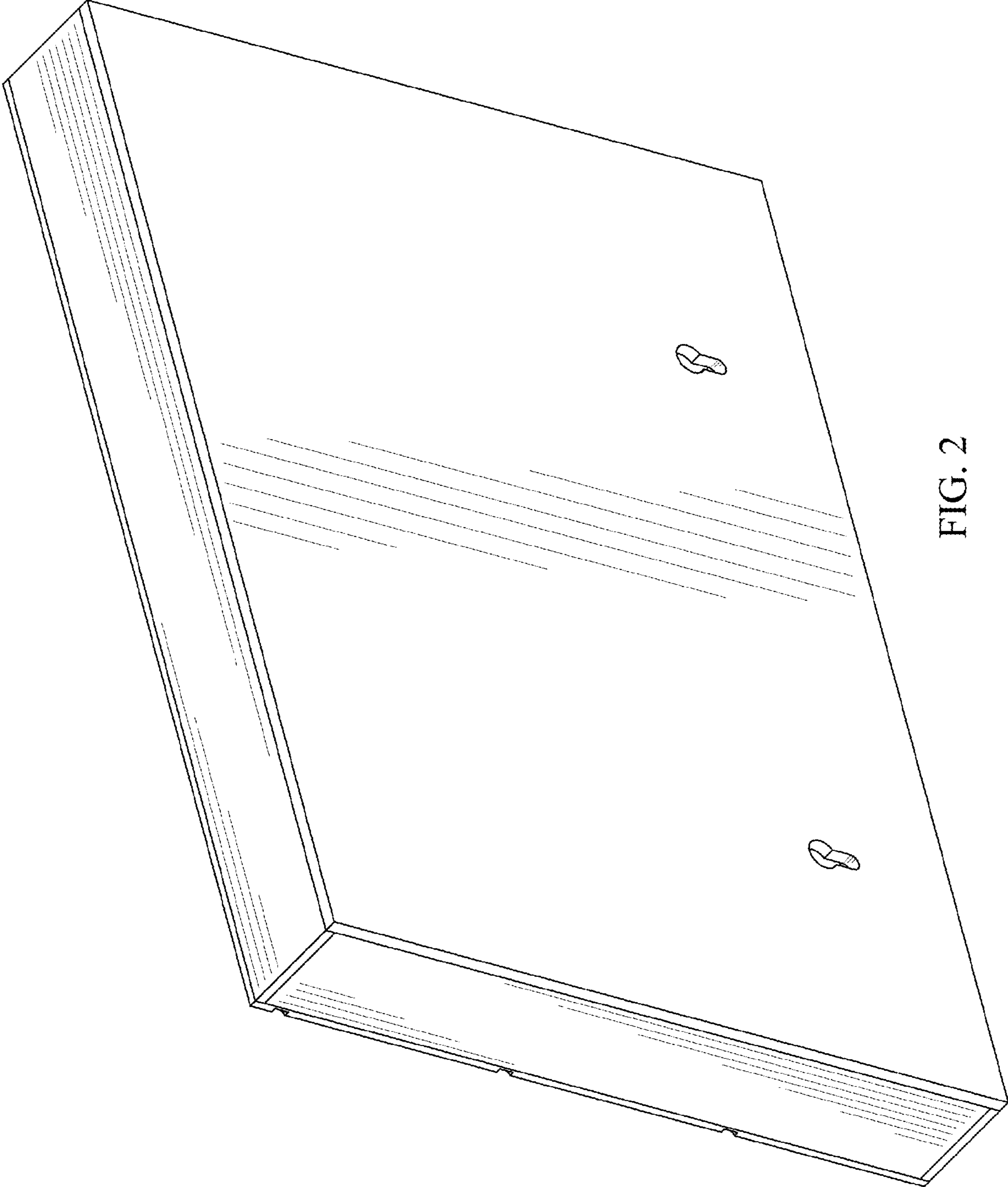


FIG. 2

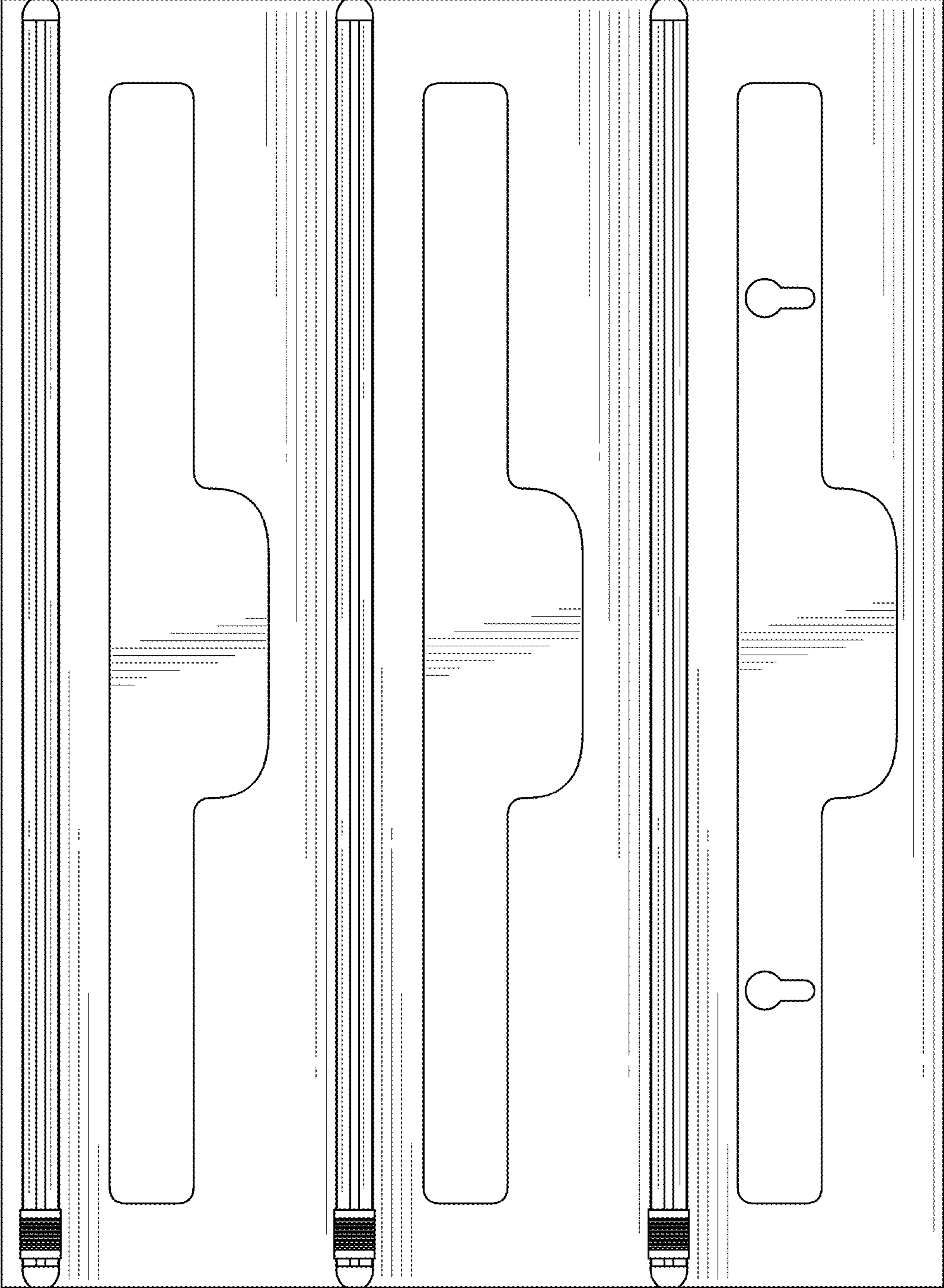


FIG. 3

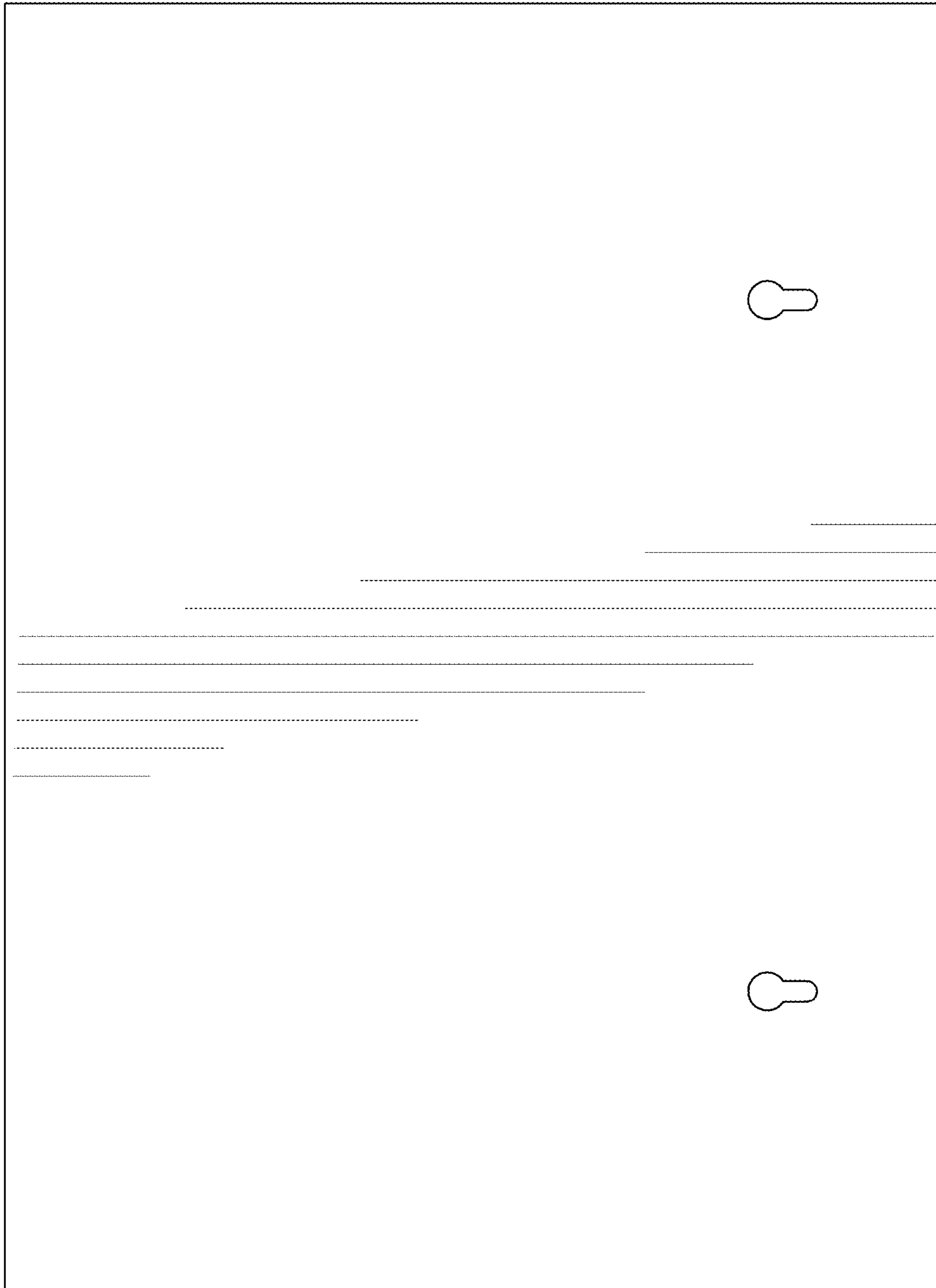


FIG. 4

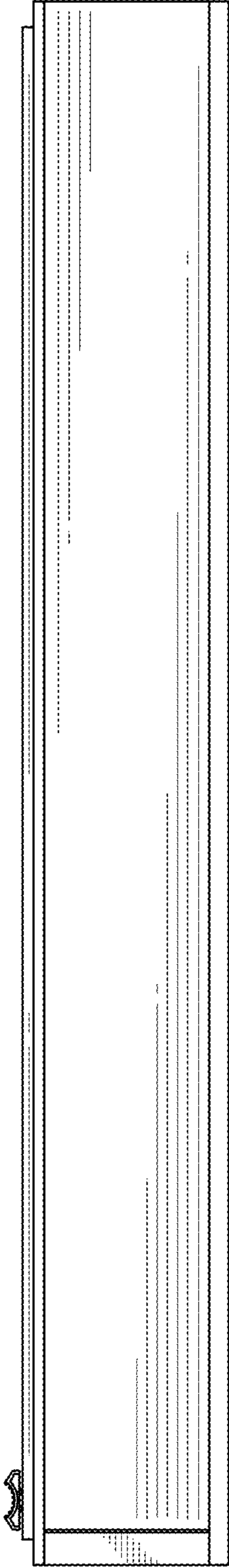


FIG. 5

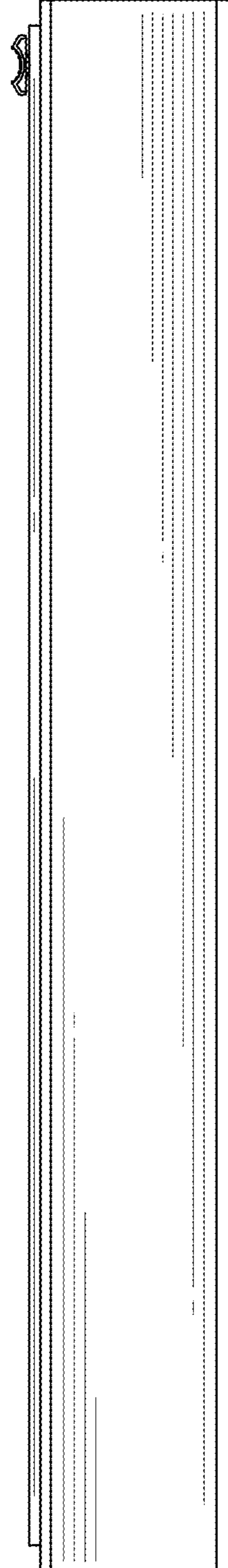


FIG. 6

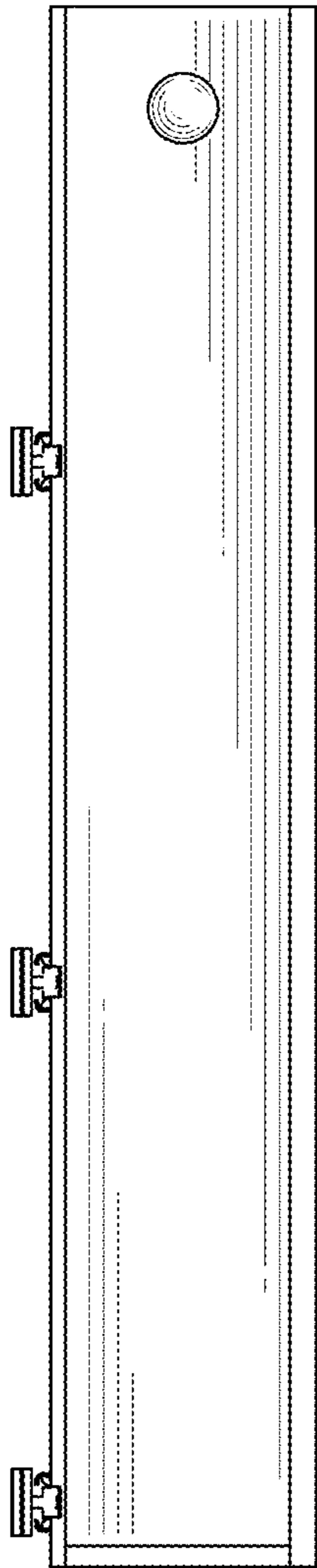


FIG. 7

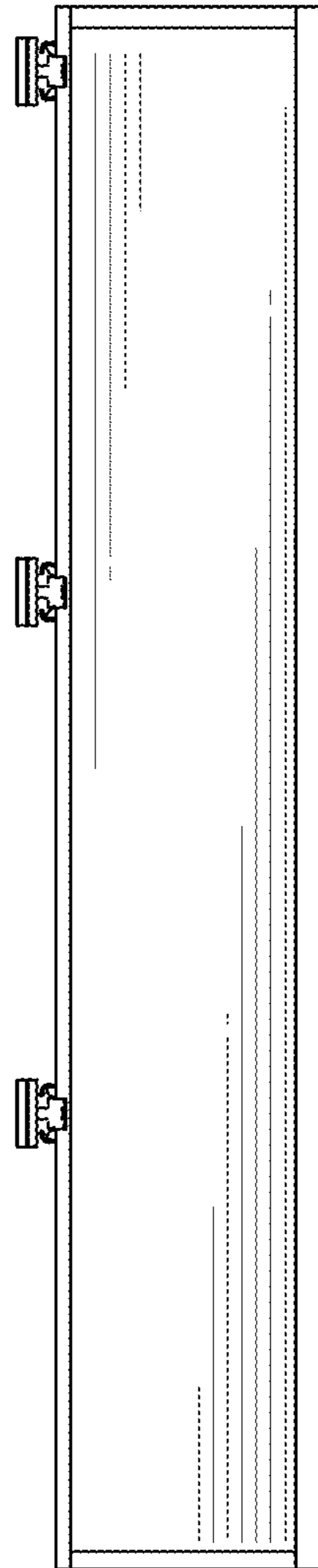


FIG. 8