



US00D966723S

(12) **United States Design Patent**  
**Lin**

(10) **Patent No.:** **US D966,723 S**  
(45) **Date of Patent:** **\*\* Oct. 18, 2022**

- (54) **BICYCLE CHILD SEAT**
- (71) Applicant: **Shenzhen Hailijia Trading Co., Ltd.**,  
Shenzhen (CN)
- (72) Inventor: **Shengbin Lin**, Jieyang (CN)
- (73) Assignee: **Shenzhen Hailijia Trading Co., Ltd.**,  
Shenzhen (CN)
- (\*\*) Term: **15 Years**
- (21) Appl. No.: **29/804,759**
- (22) Filed: **Aug. 23, 2021**
- (51) **LOC (13) Cl.** ..... **06-01**
- (52) **U.S. Cl.**  
USPC ..... **D6/333**
- (58) **Field of Classification Search**  
USPC ..... D6/340, 354, 333; D12/110, 111, 130  
CPC ... B62J 1/002; B62J 1/005; B62J 1/007; B62J  
1/26  
See application file for complete search history.

D764,822 S	8/2016	Toll	
D777,608 S *	1/2017	Androski	D12/112
D796,854 S *	9/2017	Larsson	D6/333
D797,465 S *	9/2017	Pos	D6/333
D799,220 S *	10/2017	van Breugel	D6/333
D814,809 S *	4/2018	Kok	D6/333
10,472,014 B2 *	11/2019	Wang	B62J 1/20
D872,657 S *	1/2020	Li	D21/426
D896,131 S *	9/2020	DeBry	D12/112
D904,049 S	12/2020	Toll	
D904,050 S *	12/2020	Wang	D6/354
D908,550 S *	1/2021	Berman	D12/130
D929,911 S *	9/2021	Nuijten	D12/130

\* cited by examiner

*Primary Examiner* — Natasha Vujcic  
(74) *Attorney, Agent, or Firm* — Jeenam Park

(57) **CLAIM**

The ornamental design for a bicycle child seat, as shown and described.

**DESCRIPTION**

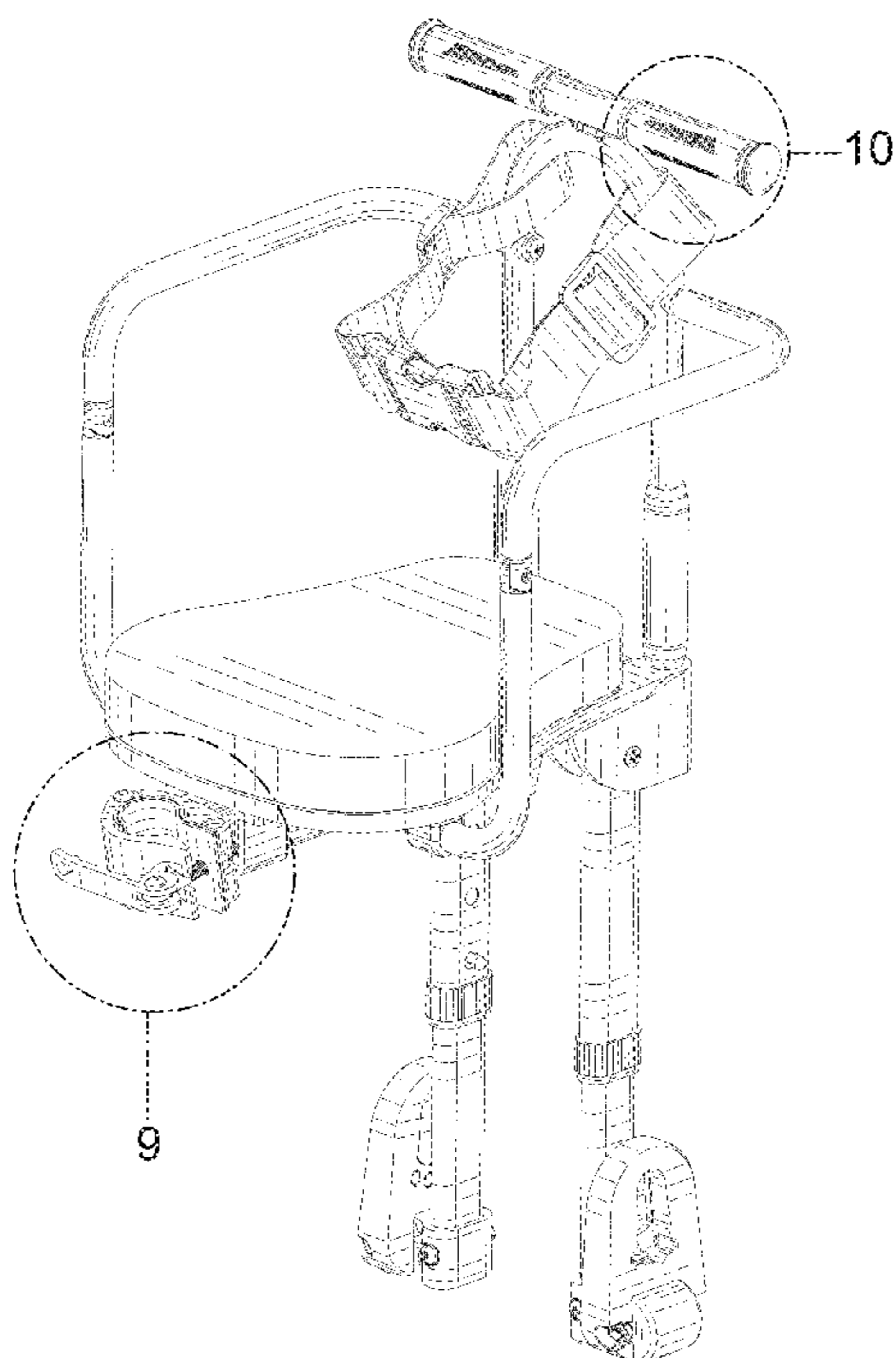
FIG. 1 is a perspective view of a bicycle child seat, showing my new design;  
 FIG. 2 is another perspective view thereof;  
 FIG. 3 is a front view thereof;  
 FIG. 4 is a rear view thereof;  
 FIG. 5 is a left side view thereof;  
 FIG. 6 is a right side view thereof;  
 FIG. 7 is a top plan view thereof;  
 FIG. 8 is a bottom plan view thereof;  
 FIG. 9 is an enlarged view of portion of FIG. 1; and,  
 FIG. 10 is an enlarged view of portion of FIG. 1.

**1 Claim, 10 Drawing Sheets**

(56) **References Cited**

**U.S. PATENT DOCUMENTS**

D294,203 S *	2/1988	Schepis	D6/354
D344,474 S *	2/1994	Stoke	D12/129
D361,050 S *	8/1995	Macmillan	D12/128
D367,181 S *	2/1996	Peters	D6/333
D395,853 S *	7/1998	Luo	D12/130
D479,164 S *	9/2003	Wu	D12/130
D481,336 S *	10/2003	Wu	D12/130
D494,109 S *	8/2004	Karasin	D12/130
D519,423 S *	4/2006	Tolfsen	D12/130



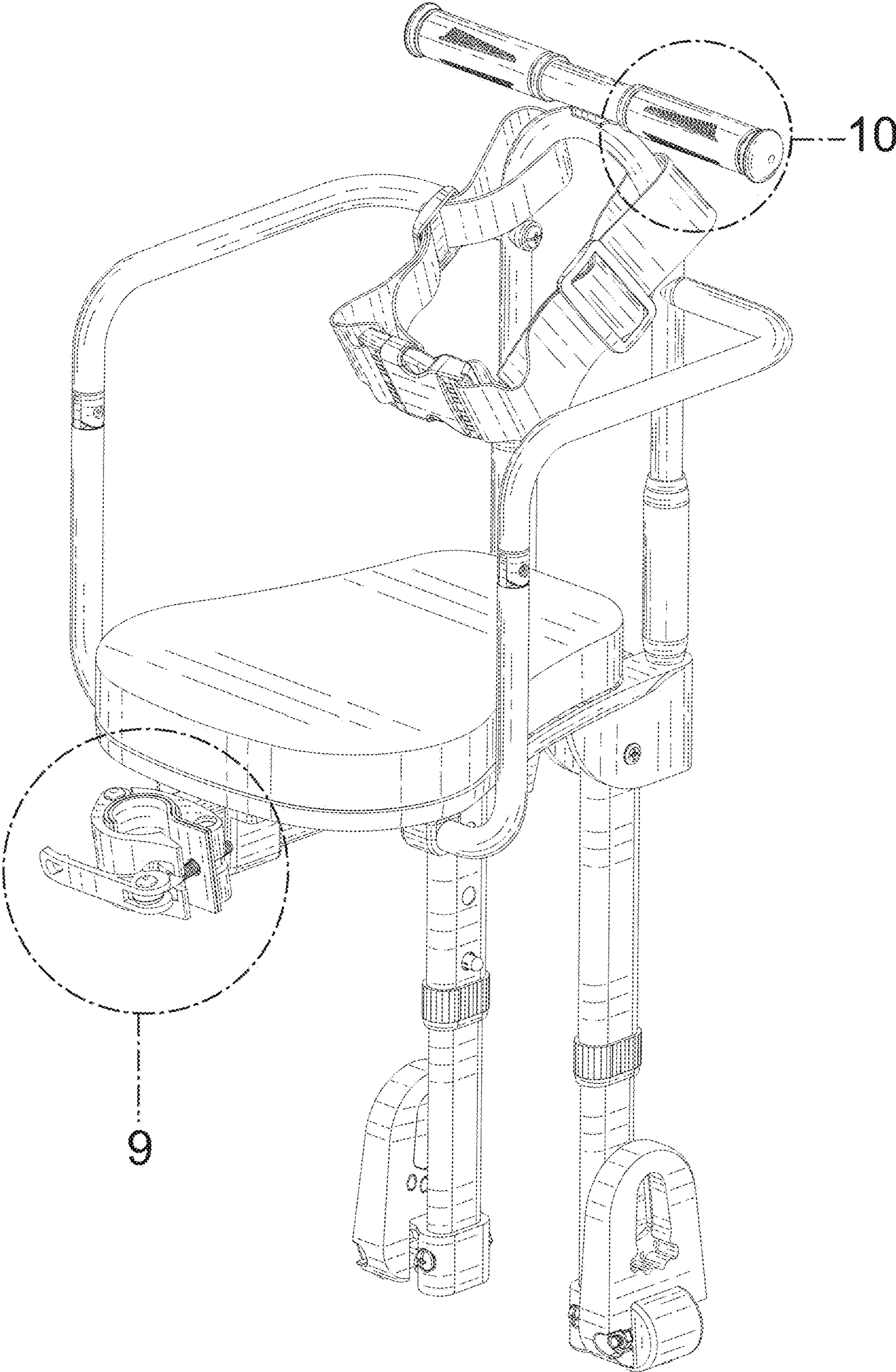


FIG. 1



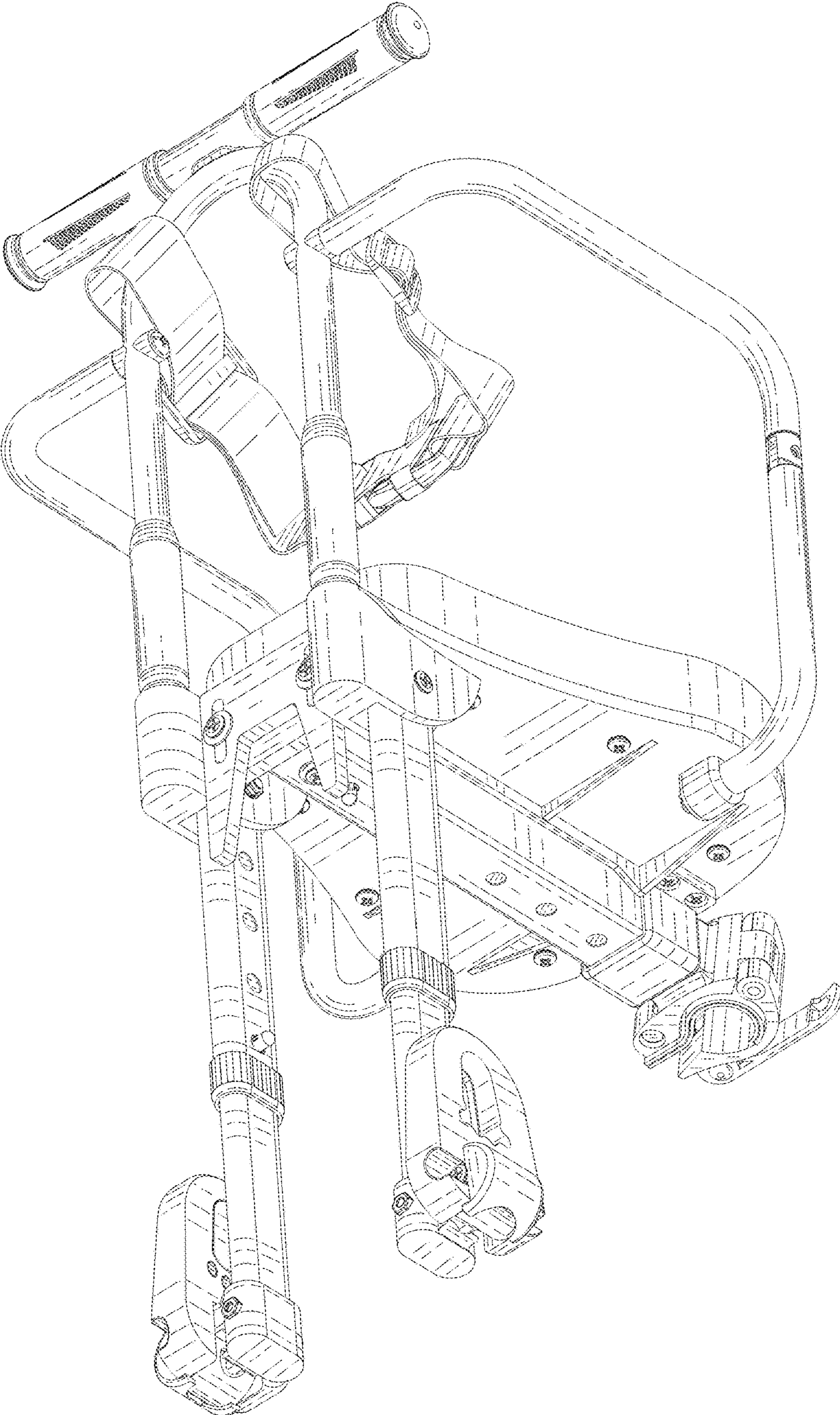


FIG. 2

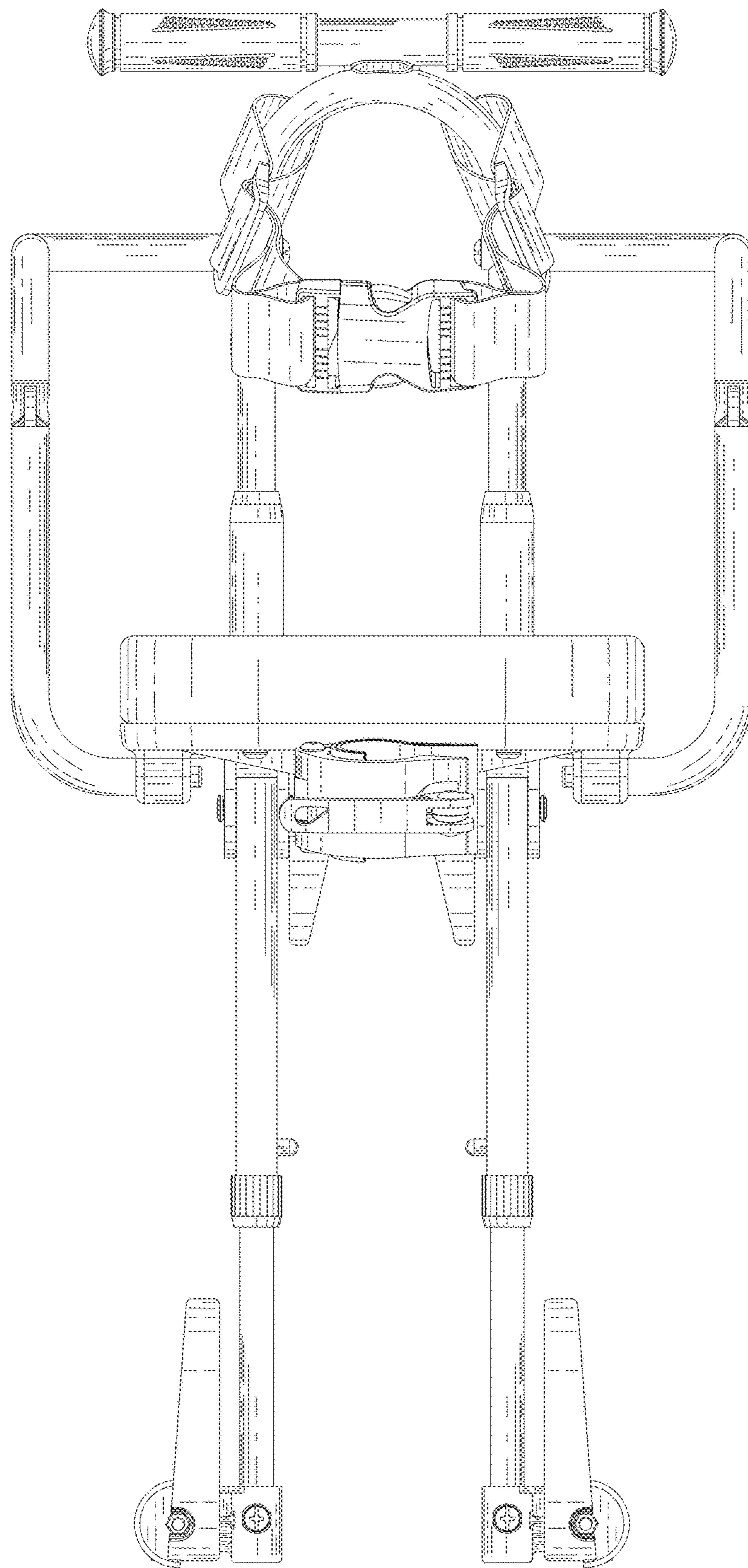


FIG. 3

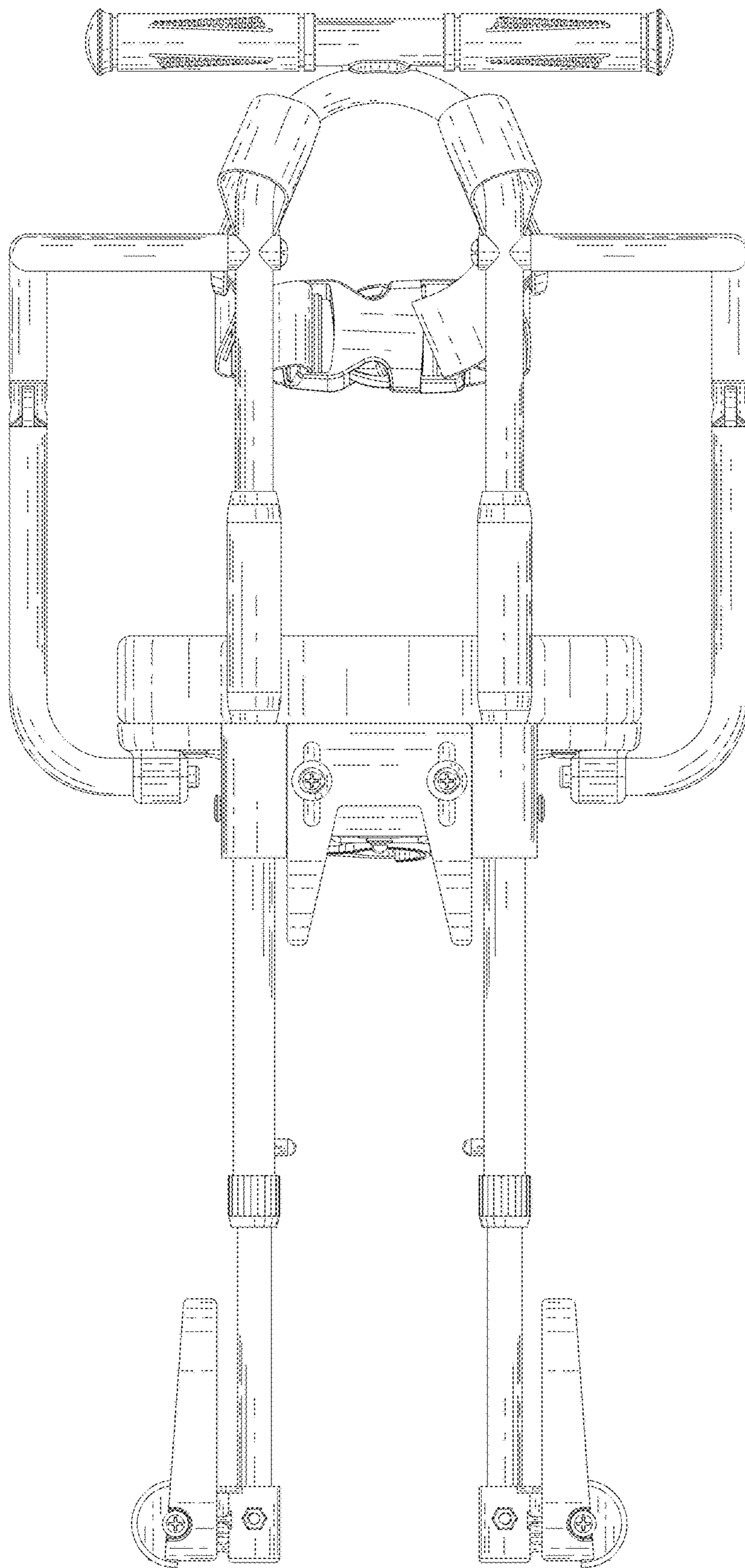


FIG. 4



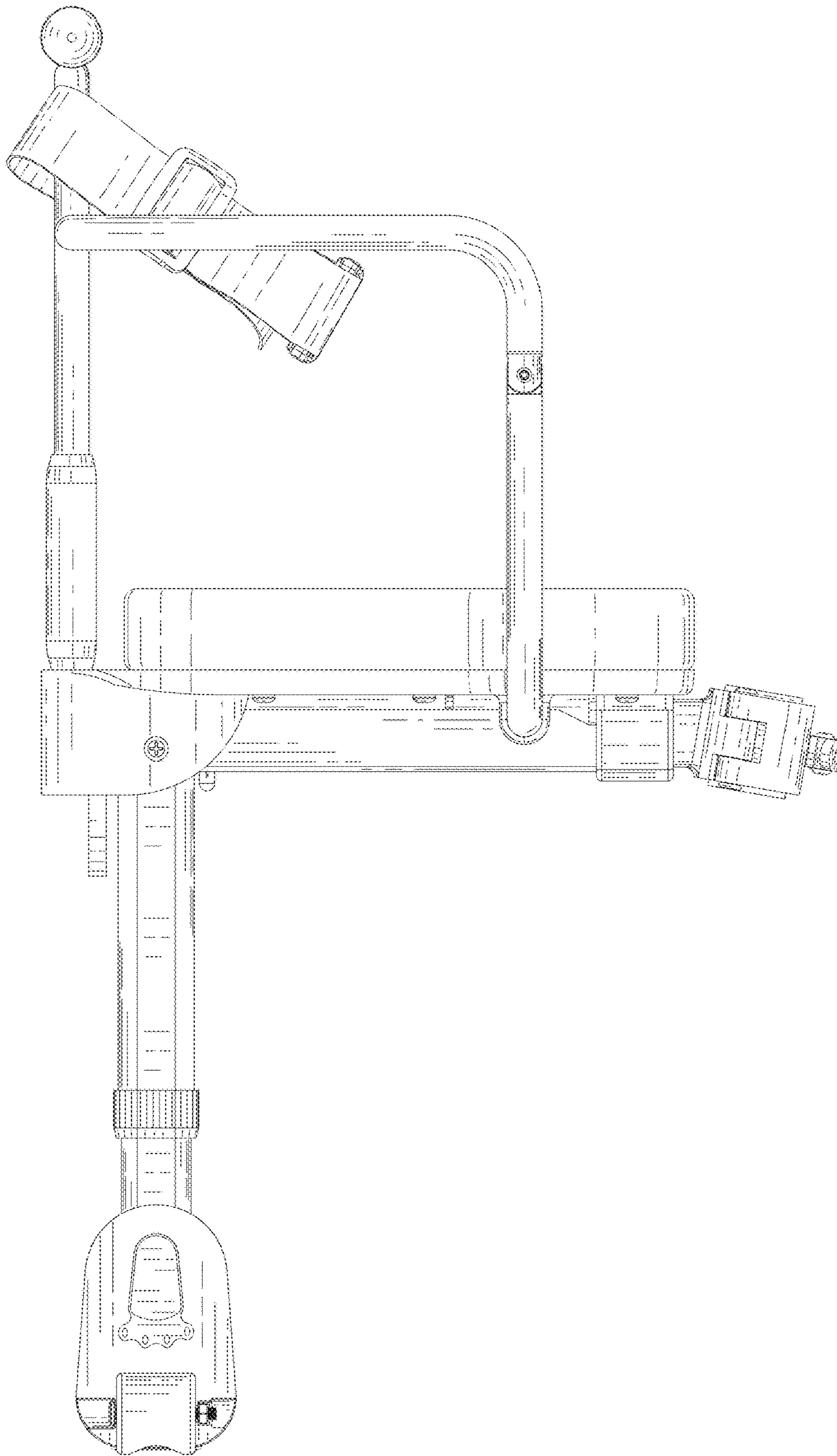


FIG. 5

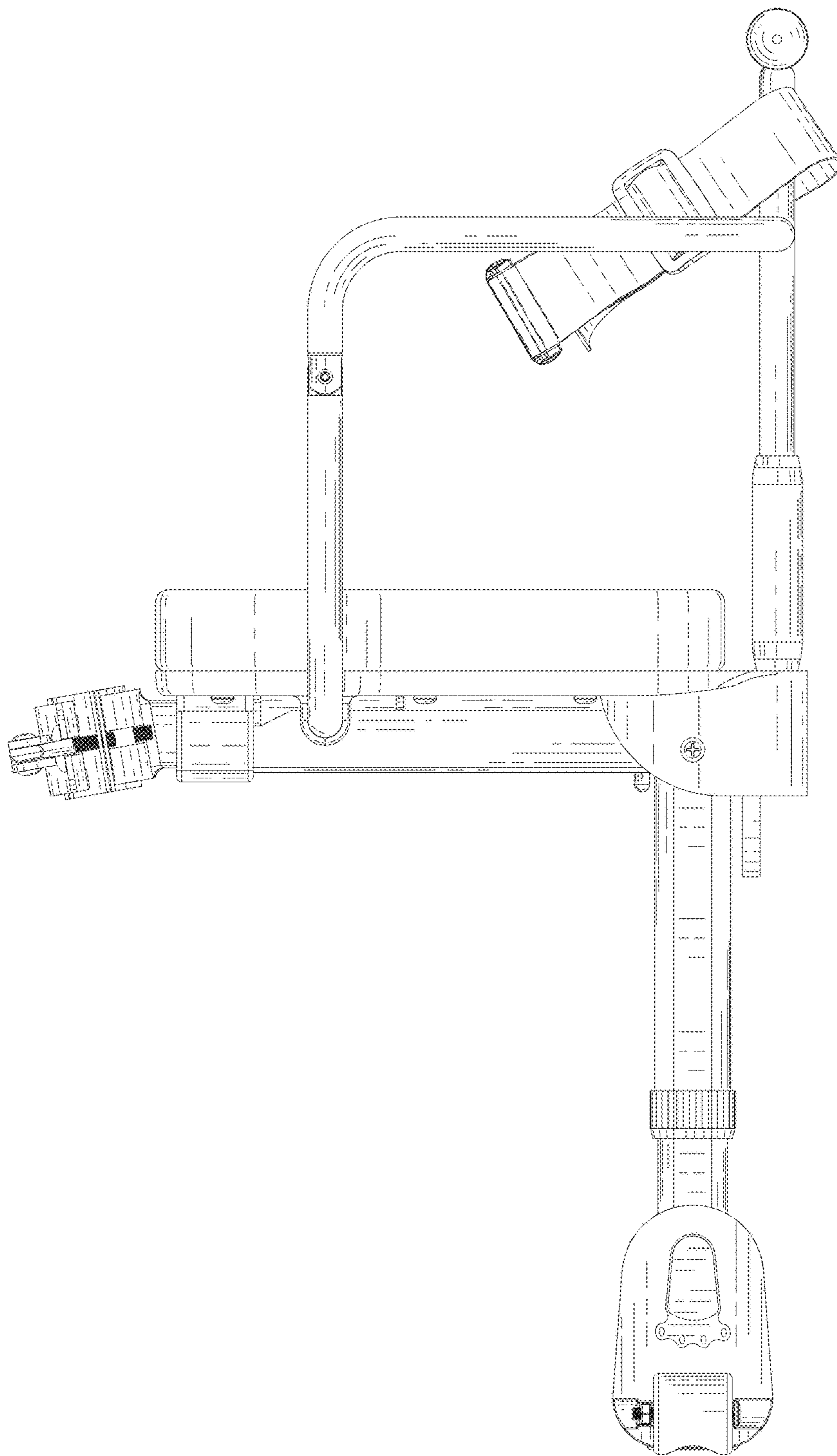


FIG. 6

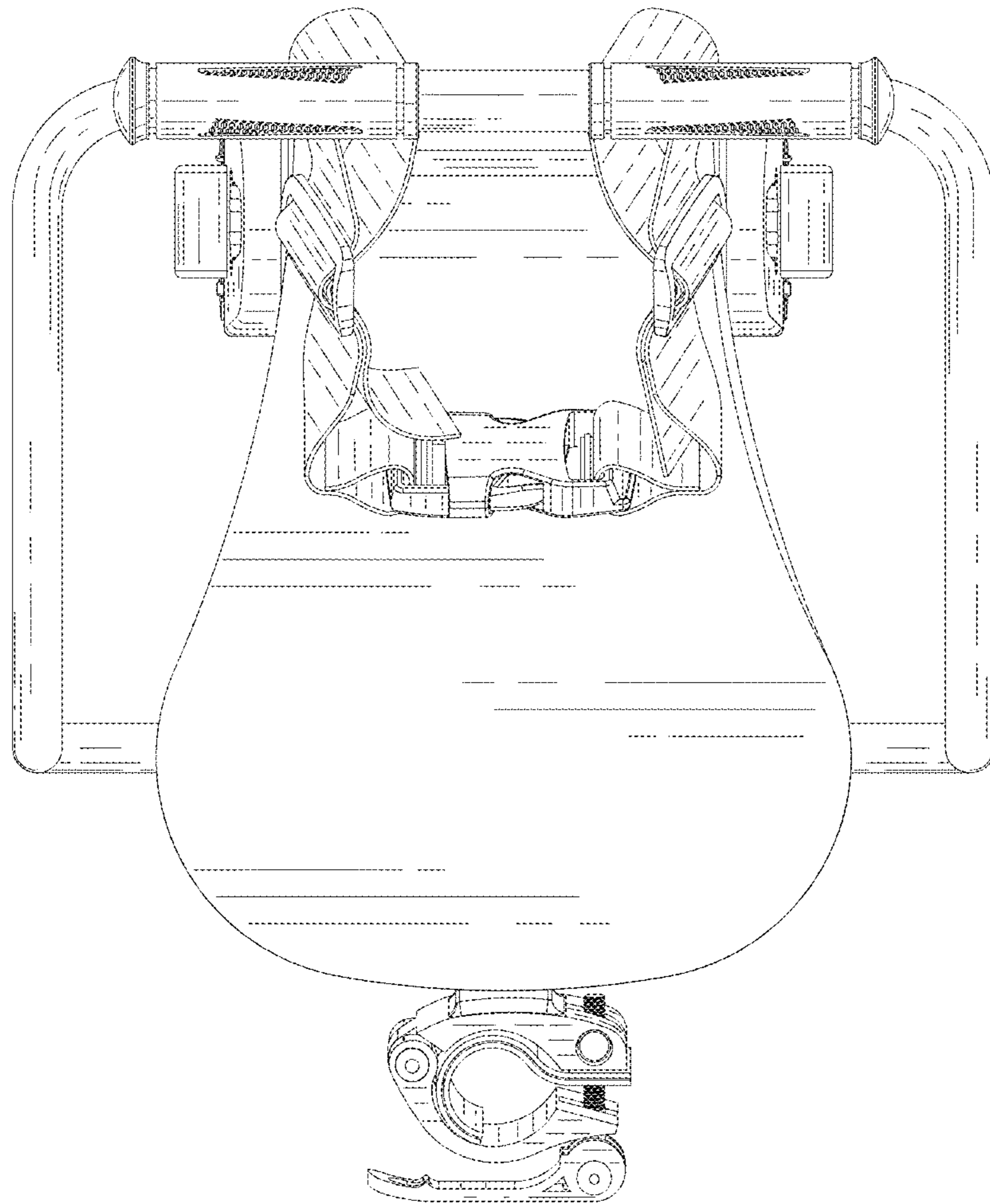


FIG. 7



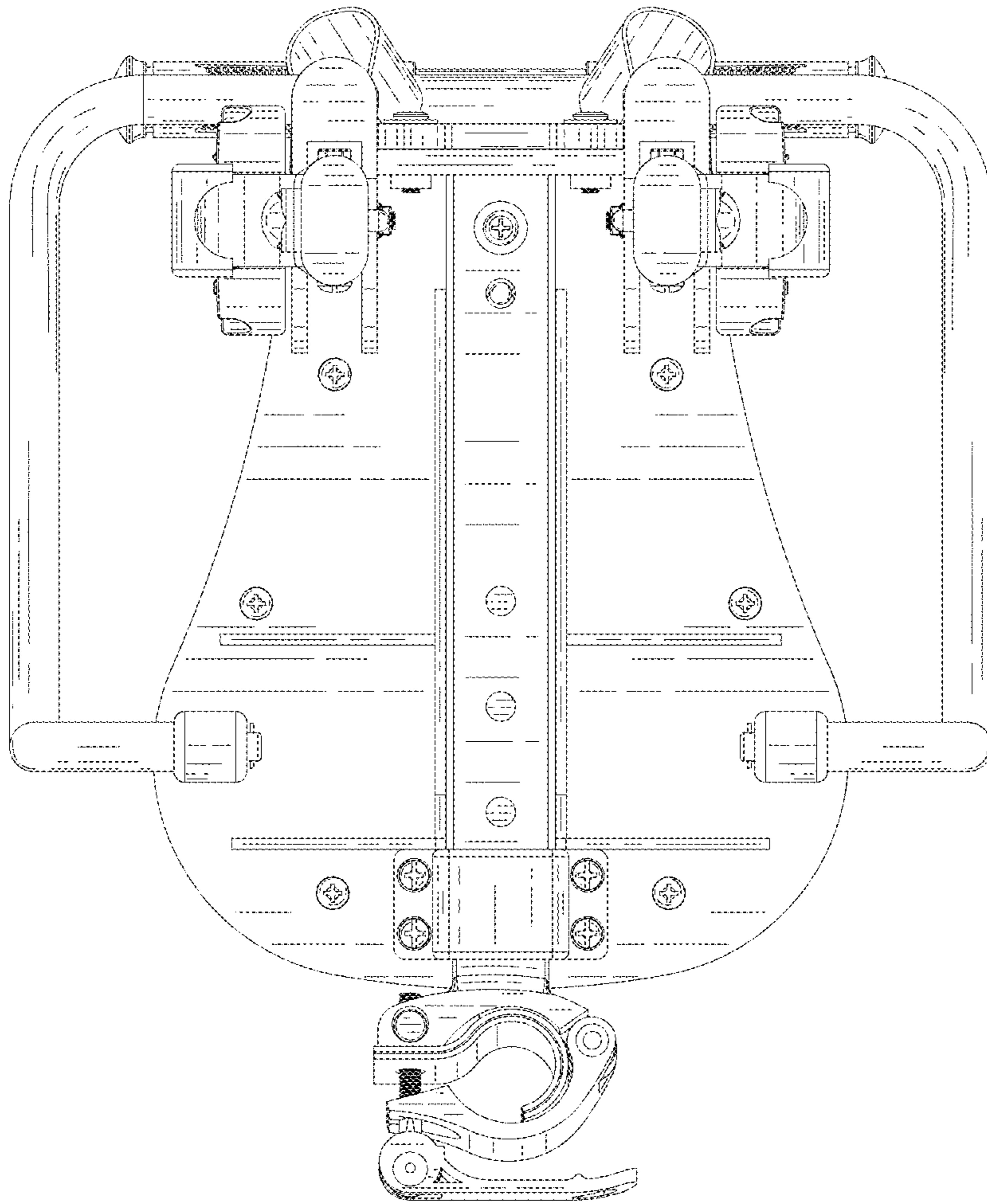


FIG. 8

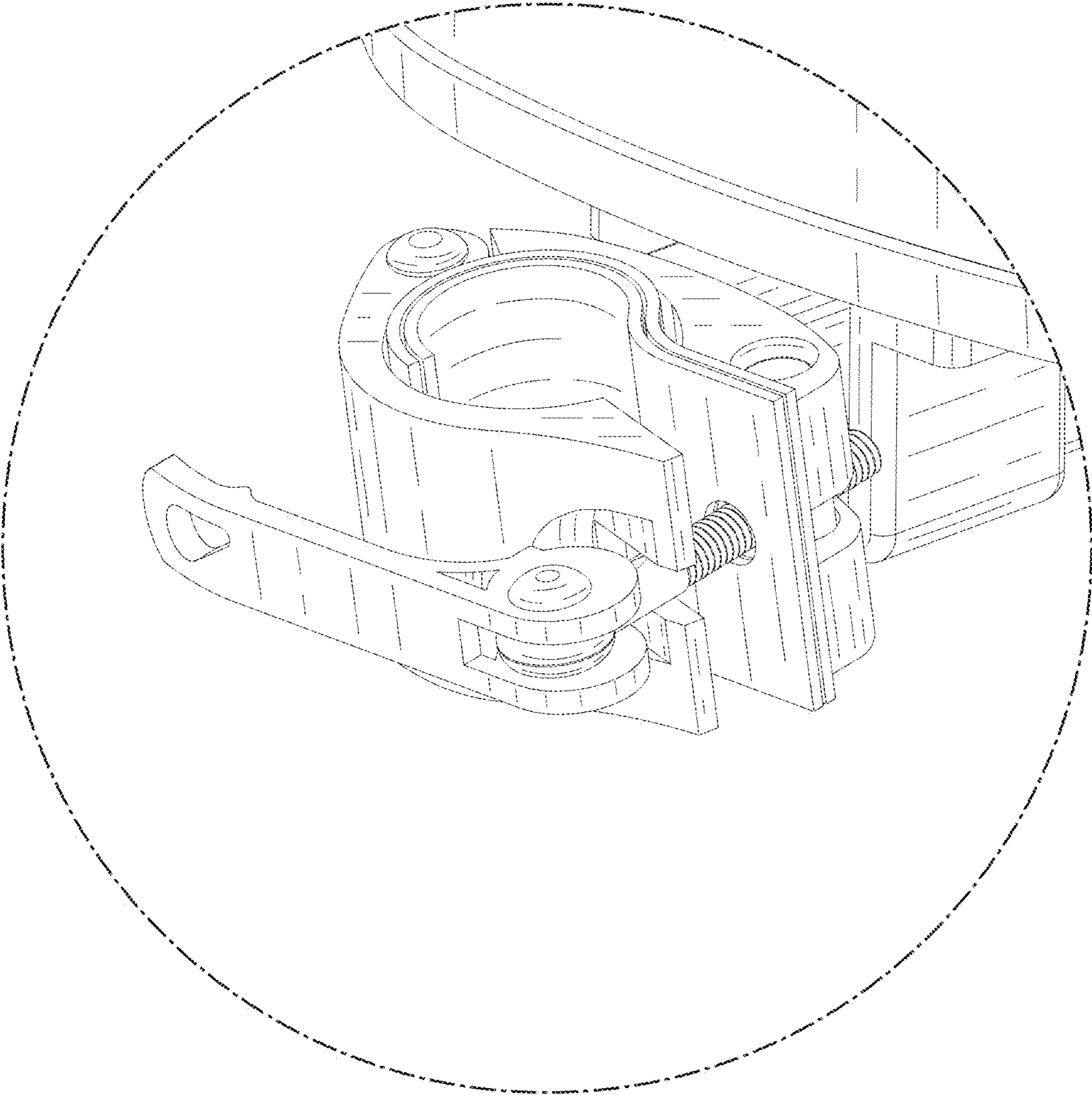


FIG. 9

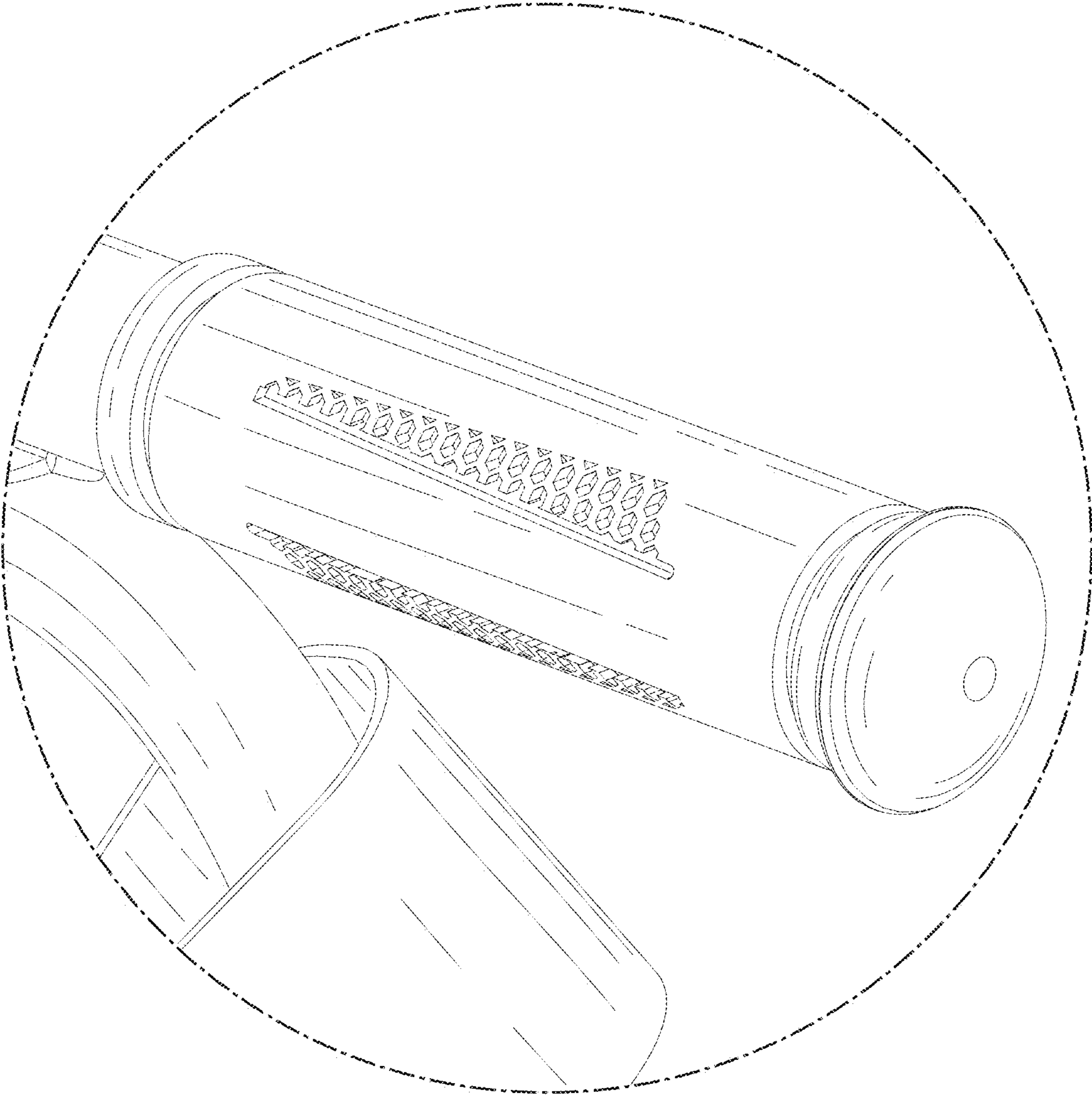


FIG. 10