



US00D966722S

(12) **United States Design Patent**
Hancock

(10) **Patent No.:** **US D966,722 S**
(45) **Date of Patent:** **** Oct. 18, 2022**

(54) **CHAIR SUPPORT ADAPTER AND BOOSTER SEAT**

(71) Applicant: **Douglas Hancock**, Fargo, ND (US)

(72) Inventor: **Douglas Hancock**, Fargo, ND (US)

(**) Term: **15 Years**

(21) Appl. No.: **29/761,269**

(22) Filed: **Dec. 8, 2020**

(51) **LOC (13) Cl.** **06-01**

(52) **U.S. Cl.**
USPC **D6/333**

(58) **Field of Classification Search**
USPC D6/333-336, 339, 344, 702, 716,
D6/716.1-716.7; 297/183.1-183.4,
297/184.13, 184.15, 184.17, 250.1, 255,
297/256.1, 256.15, 219.12, 463.1;
D12/129-130, 133; D21/412, 428, 419;
280/30-31; 5/94, 98.1, 99.1, 101-102,
5/105, 655, 93.1, 12.1; 24/200
CPC . B60N 2/00; B60N 2/005; B60N 2/24; B60N
2/015; B60N 2/42; B60N 2/26; A47C
13/00; A47C 4/54; A47C 4/00; A47C
4/02; A47C 3/029; A47C 3/025; A47C
3/021; A47C 3/0252; A47C 7/0213; A47C
7/425; A47D 1/00; A47D 1/006; A47D
1/06; A47D 1/002; A47D 1/004; A61G
5/1091

See application file for complete search history.

(56) **References Cited**

U.S. PATENT DOCUMENTS

4,813,693 A 3/1989 Lockard et al.
D315,123 S * 3/1991 Spiegel D6/338
5,496,092 A * 3/1996 Williams A61F 5/3792
297/256.13

5,720,520 A 2/1998 Bengtson et al.
5,950,263 A 9/1999 Hanson et al.
5,996,716 A 12/1999 Montiglio et al.
6,032,975 A 3/2000 Hanson et al.
6,247,756 B1 * 6/2001 Wagner A61G 5/1054
297/484
6,378,947 B1 * 4/2002 Barber A61G 5/12
297/440.22
D653,591 S * 2/2012 Horvath D12/128
8,152,236 B1 * 4/2012 Romero A47D 1/10
297/230.11
D866,996 S * 11/2019 Strong D6/333

* cited by examiner

Primary Examiner — Abraham Bahta

(74) *Attorney, Agent, or Firm* — Boudwin Intellectual
Property; Daniel Boudwin

(57) **CLAIM**

The ornamental design for a chair support adaptor and booster seat, as shown and described.

DESCRIPTION

FIG. 1 shows a perspective view of a chair support adaptor and booster seat.

FIG. 2 shows a front view of the chair support adaptor and booster seat.

FIG. 3 shows a rear view of the chair support adaptor and booster seat.

FIG. 4 shows a right side view of the chair support adaptor and booster seat.

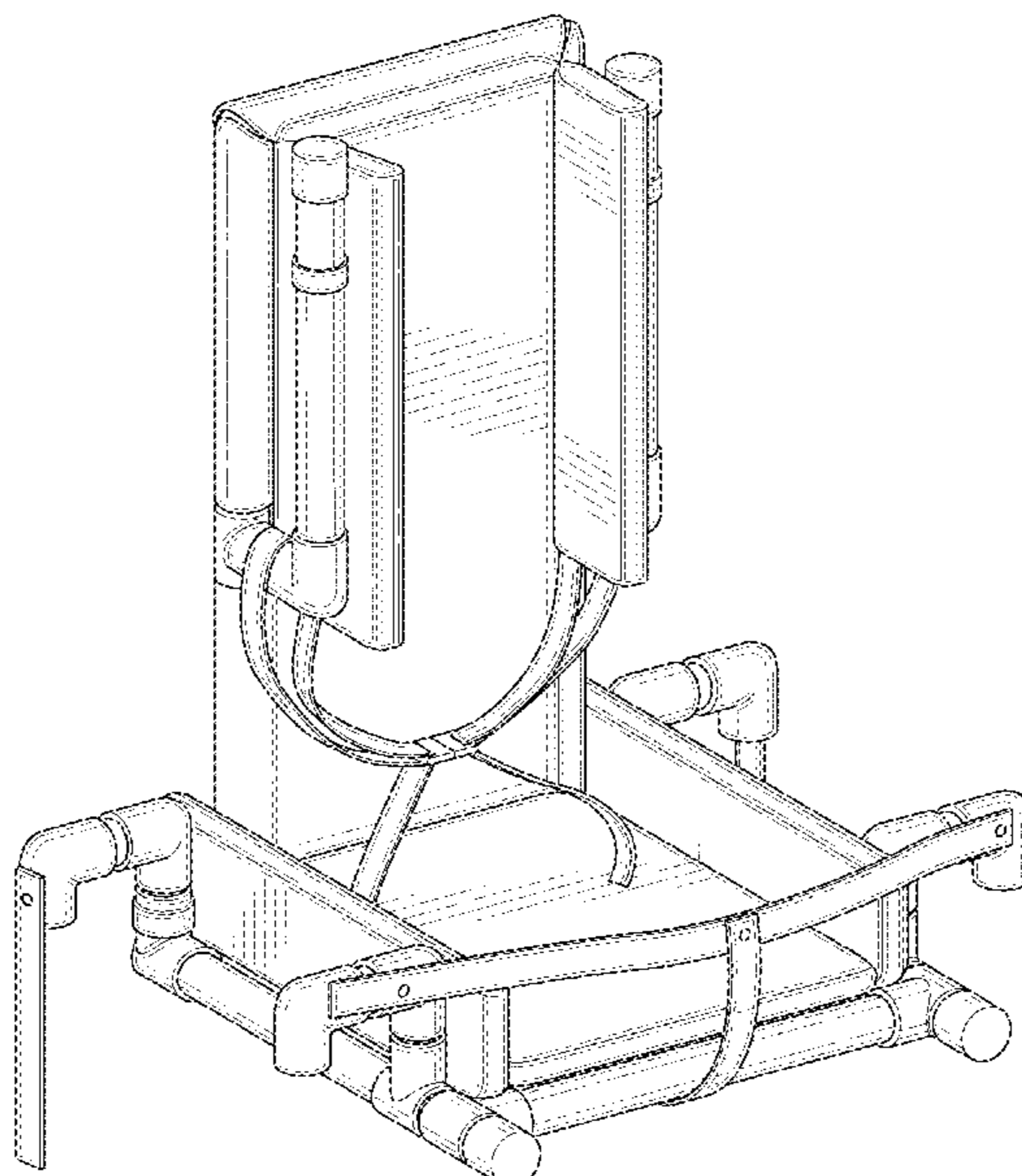
FIG. 5 shows a left side view of the chair support adaptor and booster seat.

FIG. 6 shows a top plan view of the chair support adaptor and booster seat; and,

FIG. 7 shows a bottom plan view of the chair support adaptor and booster seat.

The shade lines in the Figures show contour and not surface ornamentation.

1 Claim, 7 Drawing Sheets



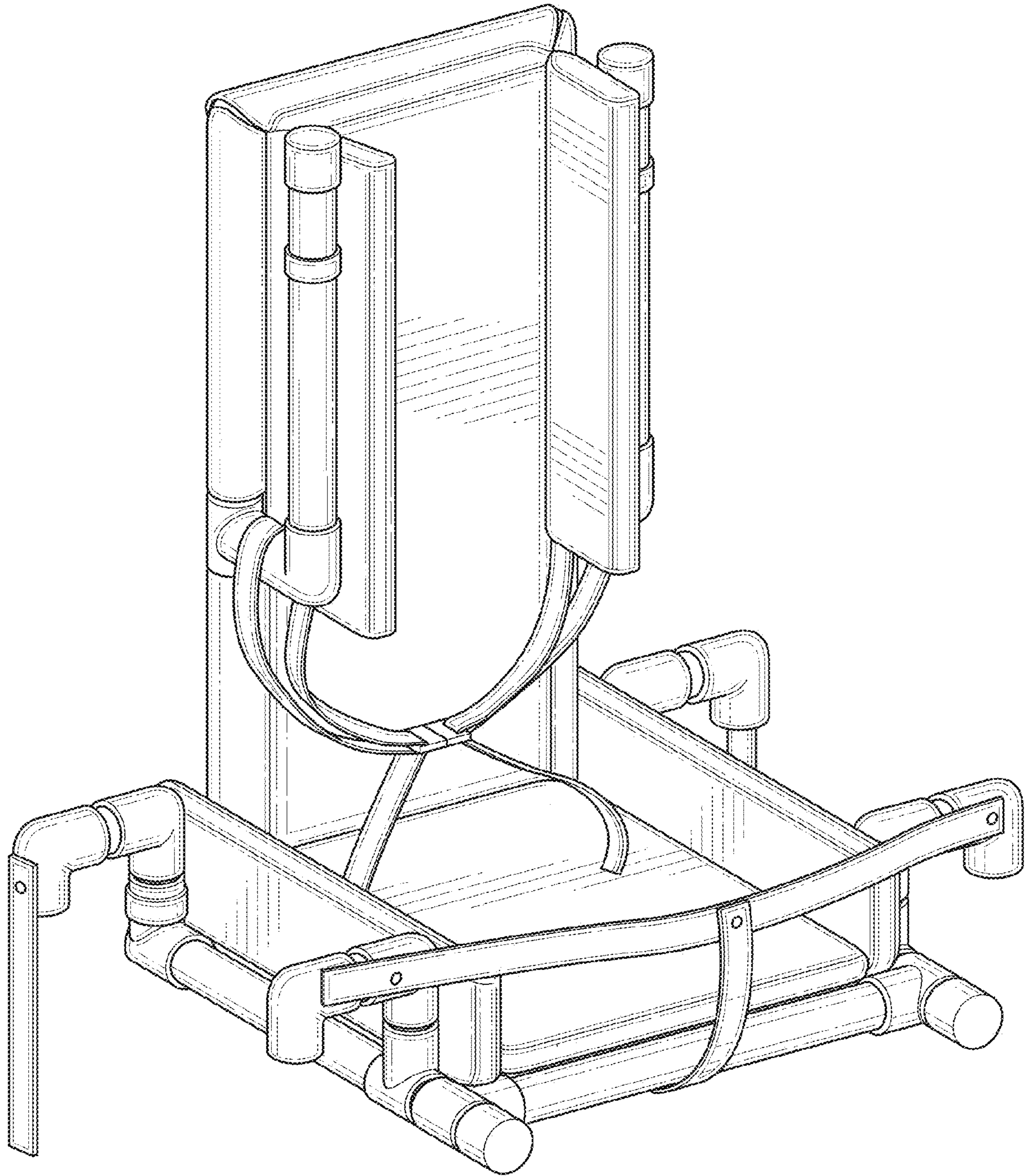


FIG. 1

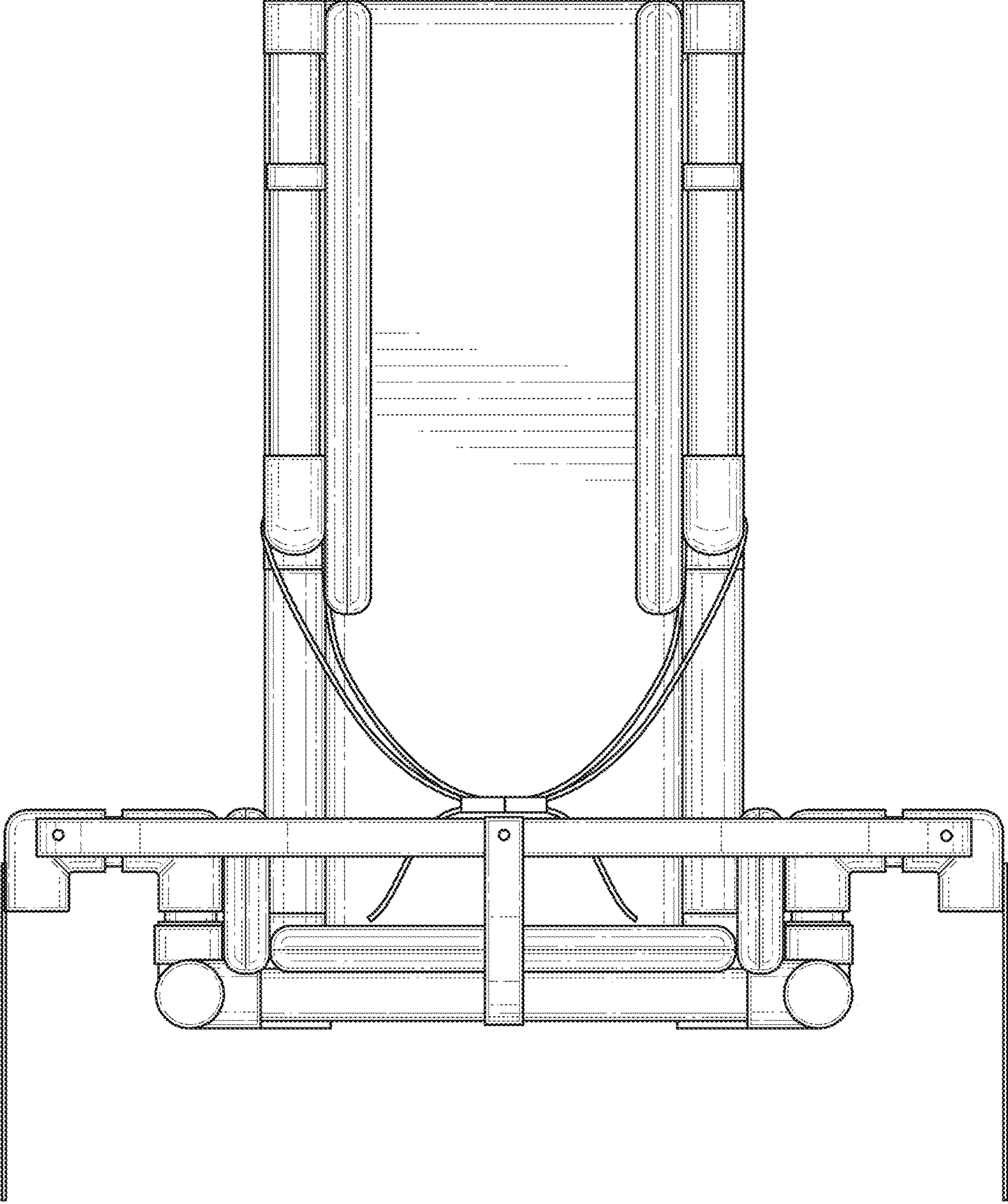


FIG. 2

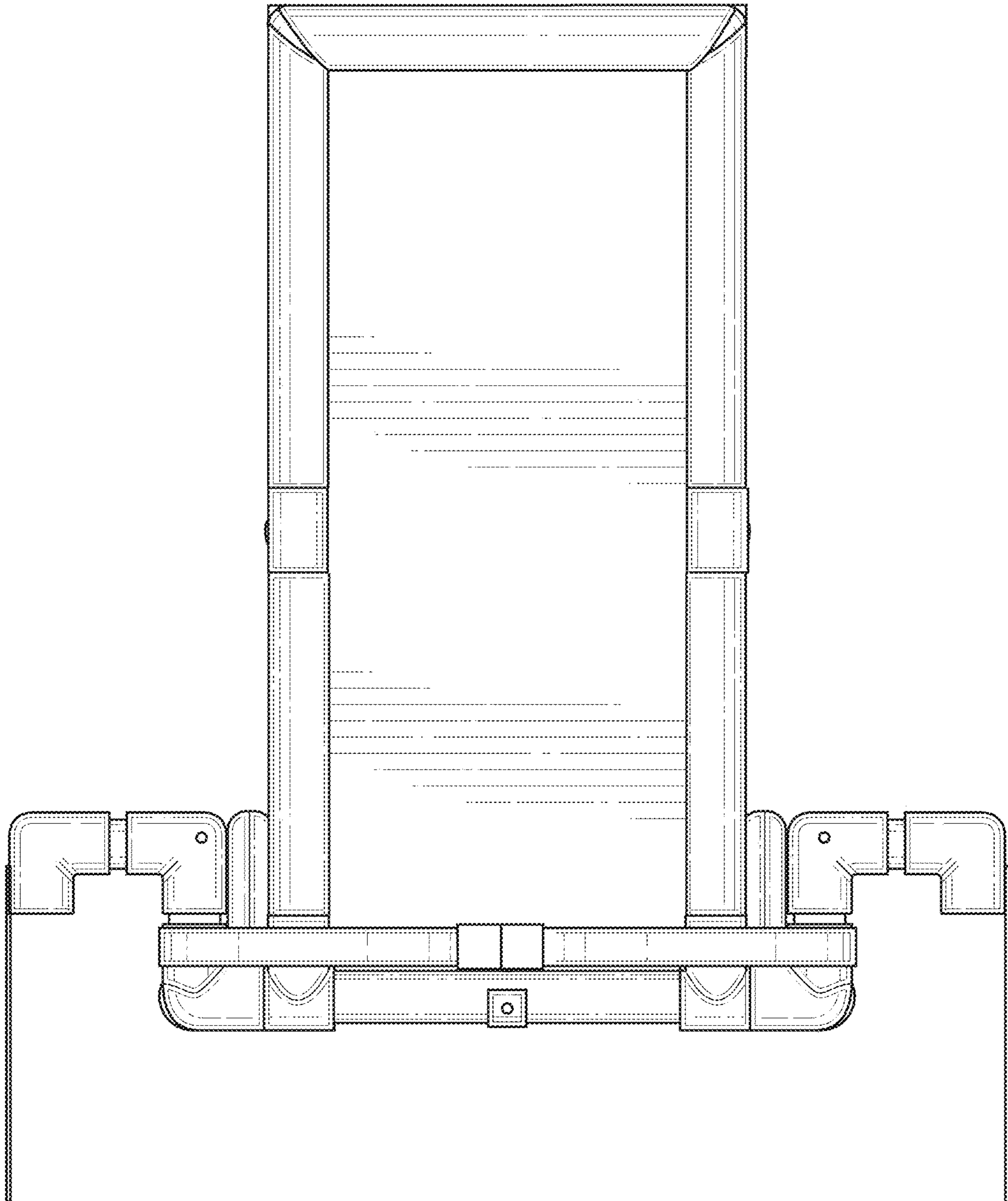


FIG. 3

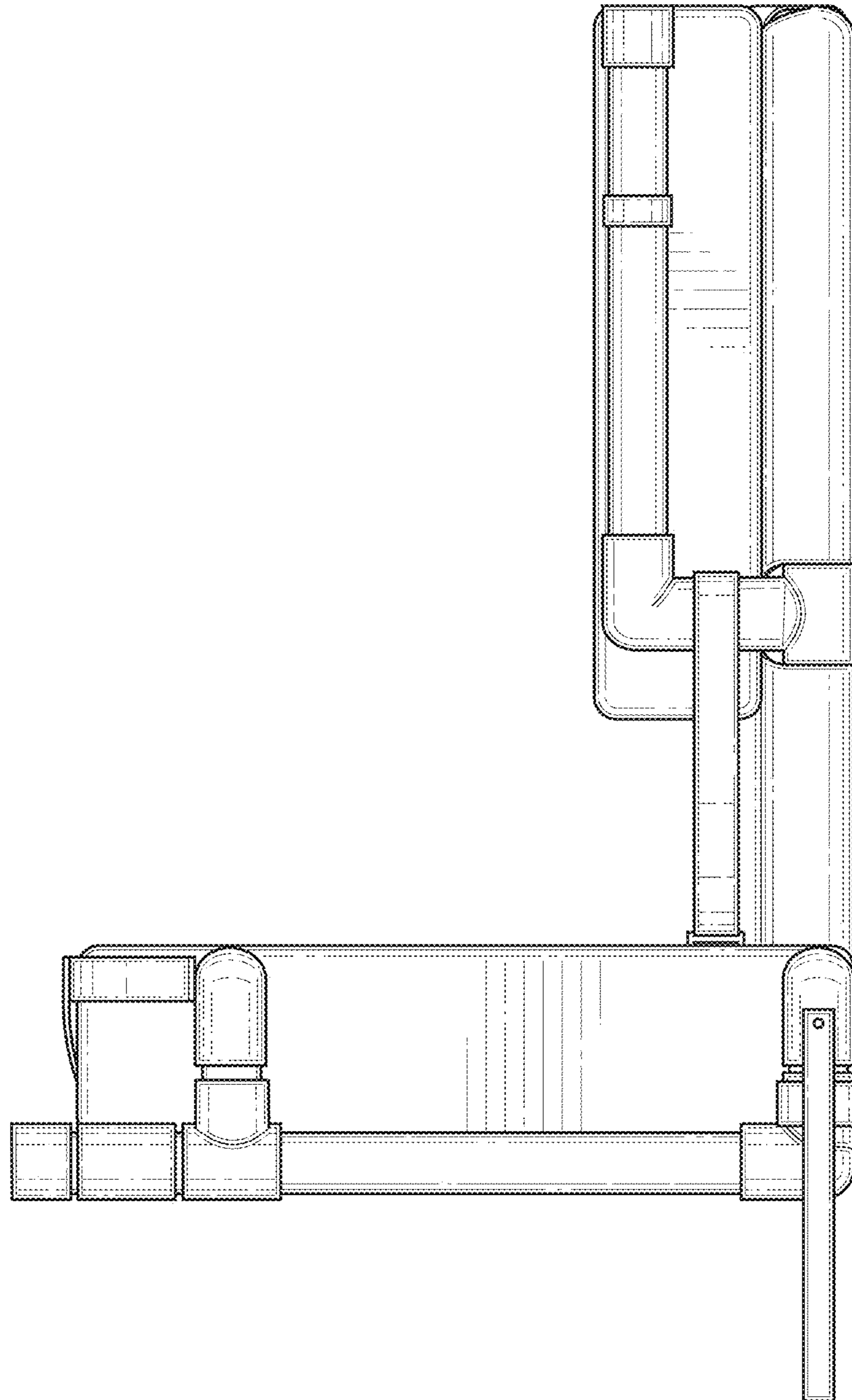


FIG. 4

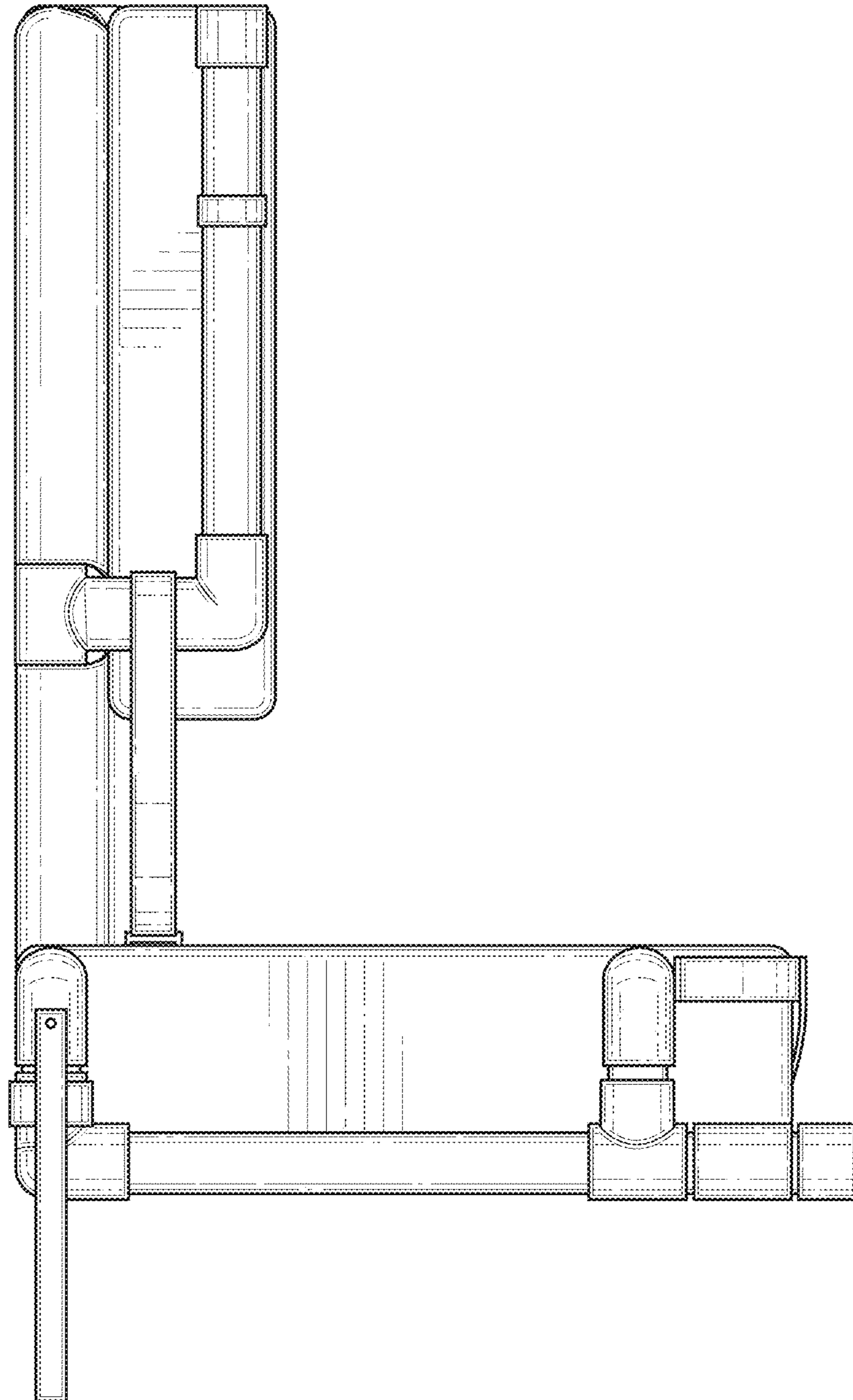


FIG. 5

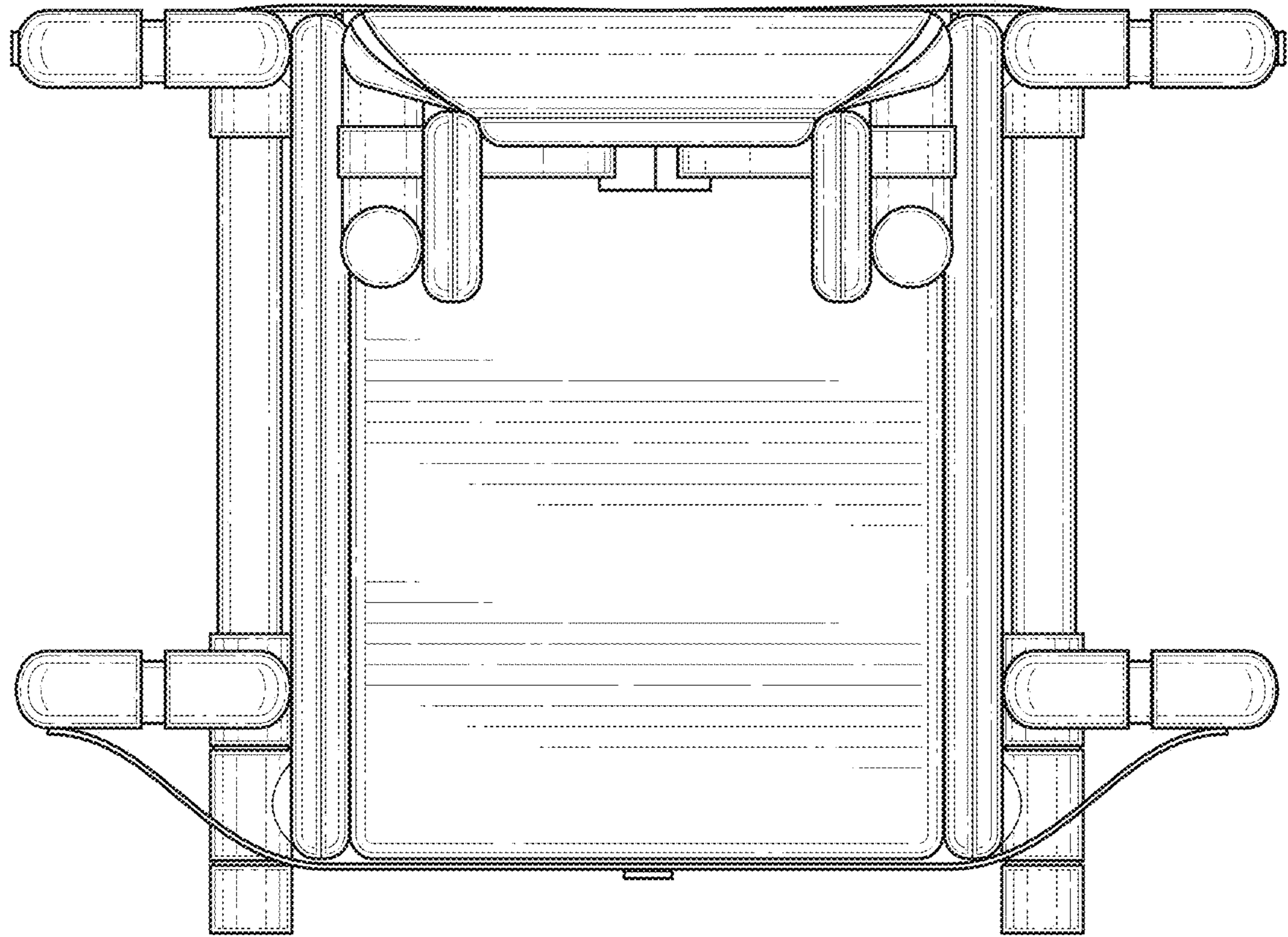


FIG. 6

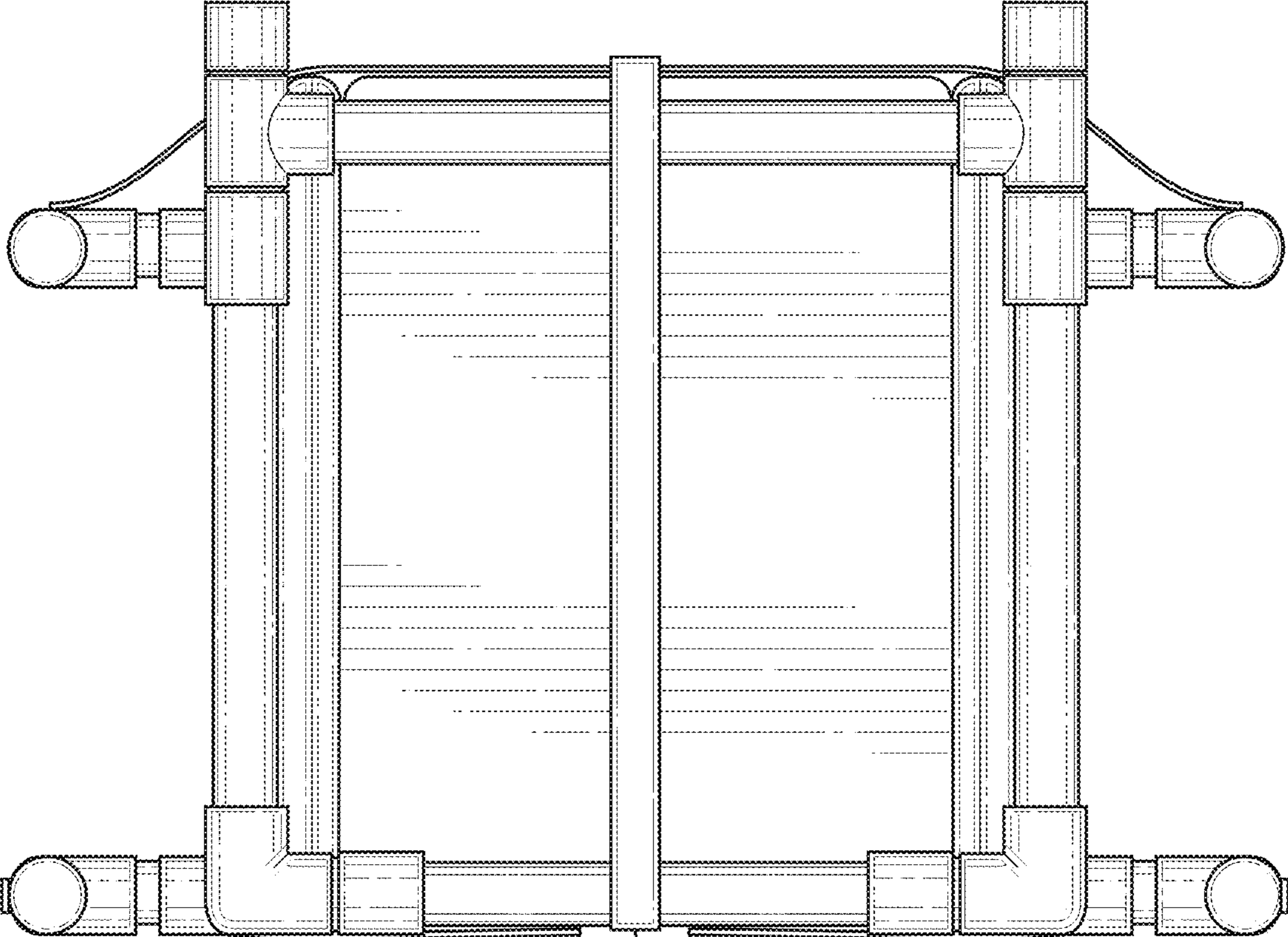


FIG. 7