



US00D966721S

(12) **United States Design Patent** (10) **Patent No.:** **US D966,721 S**
McKenna et al. (45) **Date of Patent:** **** Oct. 18, 2022**

(54) **PARTITION**

(71) Applicant: **Steelcase Inc.**, Grand Rapids, MI (US)

(72) Inventors: **Mark McKenna**, East Grand Rapids, MI (US); **Kevin Gillhespy**, Wyoming, MI (US); **Mark Spoelhof**, Grand Rapids, MI (US); **Brett Willink**, Grand Rapids, MI (US)

(73) Assignee: **Steelcase Inc.**, Grand Rapids, MI (US)

(**) Term: **15 Years**

(21) Appl. No.: **29/753,920**

(22) Filed: **Oct. 5, 2020**

(51) **LOC (13) Cl.** **06-06**

(52) **U.S. Cl.**
USPC **D6/332**

(58) **Field of Classification Search**
USPC **D6/643, 714, 332**

(Continued)

(56) **References Cited**

U.S. PATENT DOCUMENTS

D245,893 S 9/1977 Page
D262,802 S 1/1982 Ylvisaker et al.
(Continued)

FOREIGN PATENT DOCUMENTS

JP 4133015 8/2008

OTHER PUBLICATIONS

Social Collaborative by Allsteel Office. Downloaded on Sep. 24, 2020 from <https://www.allsteeloffice.com/spaces-inspiration/inspiration/social-collaborative>.

(Continued)

Primary Examiner — Doris Clark

(57) **CLAIM**

We claim the ornamental design for a partition, as shown and described.

DESCRIPTION

FIG. 1 is a front perspective view of a partition, showing our new design;
FIG. 2 is a rear perspective view of the partition thereof;
FIG. 3 is a front view of the partition thereof;
FIG. 4 is a rear view of the partition thereof;
FIG. 5 is a right side view of the partition thereof, the left side view is a mirror image of the right side view of FIG. 5;
FIG. 6 is a top view of the partition thereof;
FIG. 7 is a bottom view of the partition thereof;
FIG. 8 is an enlarged front perspective view of the portion of the partition of FIG. 1 identified at line VIII thereof;
FIG. 9 is an enlarged rear perspective view of the portion of the partition of FIG. 1 identified at line VIII thereof;
FIG. 10 is an enlarged front view of the portion of the partition of FIG. 1 identified at line VIII thereof;
FIG. 11 is an enlarged rear view of the portion of the partition of FIG. 1 identified at line VIII thereof;
FIG. 12 is an enlarged right side view of the portion of the partition of FIG. 1 identified at line VIII, the enlarged left side view is a mirror image of the enlarged right side view of FIG. 12 thereof;
FIG. 13 is an enlarged top view of the portion of the partition of FIG. 1 identified at line VIII thereof;
FIG. 14 is an enlarged bottom view of the portion of the partition of FIG. 1 identified at line VIII thereof;
FIG. 15 is a front perspective view of a second embodiment of a partition, showing our new design;
FIG. 16 is a rear perspective view of the second embodiment of a partition thereof;
FIG. 17 is a front view of the second embodiment of a partition thereof;
FIG. 18 is a rear view of the second embodiment of a partition thereof;
FIG. 19 is a right side view of the second embodiment of a partition thereof, the left side view is a mirror image of the right side view of FIG. 19 thereof;

(Continued)

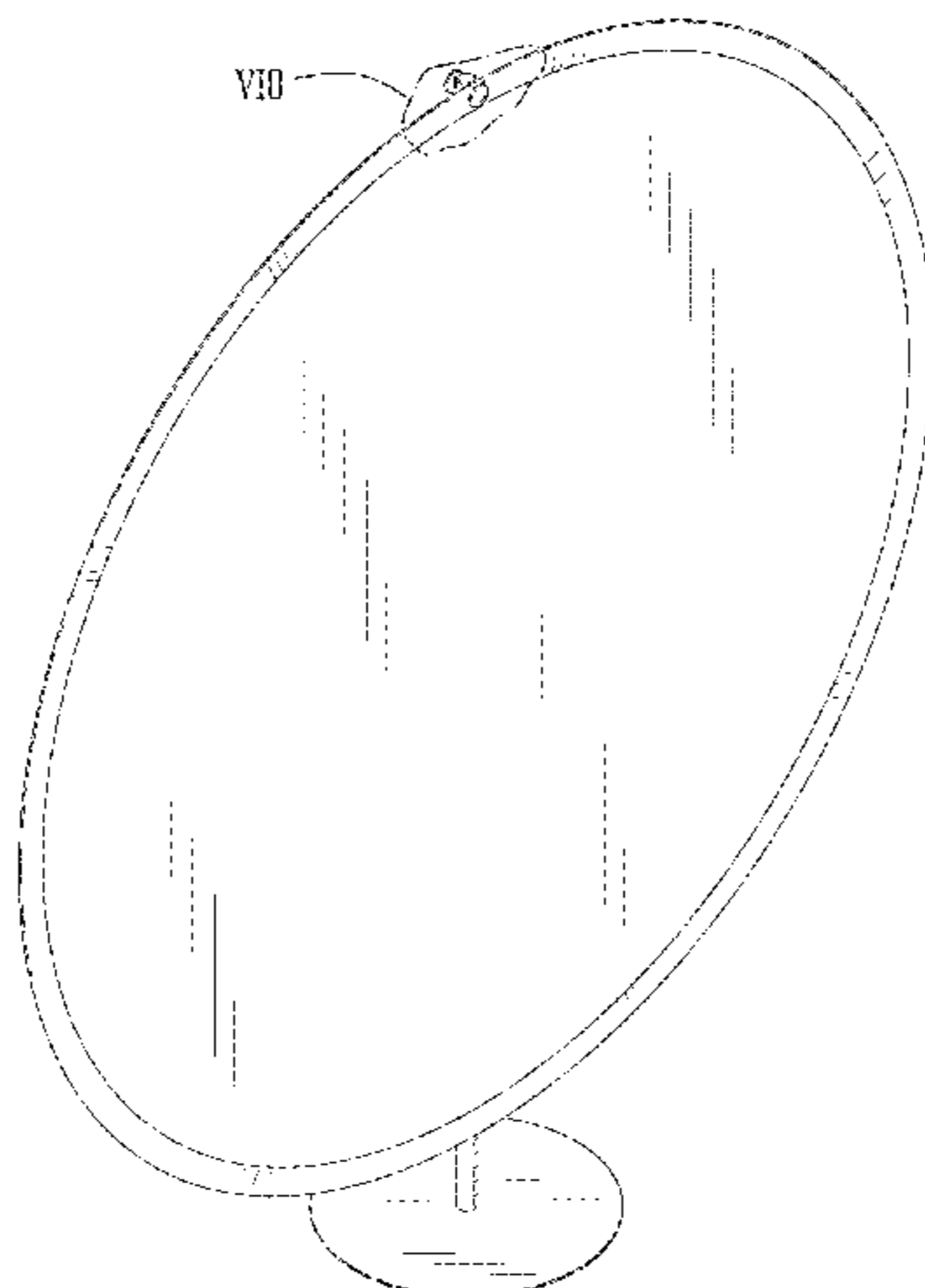


FIG. 20 is a top view of the second embodiment of a partition thereof;
 FIG. 21 is a bottom view of the second embodiment of a partition thereof;
 FIG. 22 is an enlarged front perspective view of a portion of the partition of FIG. 15 identified at line XXII thereof;
 FIG. 23 is an enlarged rear perspective view of the portion of the partition of FIG. 15 identified at line XXII thereof;
 FIG. 24 is an enlarged front view of the portion of the partition of FIG. 15 identified at line XXII thereof;
 FIG. 25 is an enlarged rear view of the portion of the partition of FIG. 15 identified at line XXII thereof;
 FIG. 26 is an enlarged right side view of the portion of the partition of FIG. 15 identified at line XXII, the enlarged left side view is a mirror image of the enlarged right side view of FIG. 26 thereof;
 FIG. 27 is an enlarged top view of the portion of the partition of FIG. 15 identified at line XXII thereof; and,
 FIG. 28 is an enlarged bottom view of the portion of the partition of FIG. 15 identified at line XXII thereof.
 The broken lines are for purposes of illustrating boundaries and form no part of the claimed ornamental design.

1 Claim, 18 Drawing Sheets

(58) **Field of Classification Search**

CPC E04B 2002/7483; E04B 2002/7498; E04B 2/76; E04B 2/7401; A47B 2200/12; A47B 17/00; E04C 2/54; E04C 2/38; E04C 2/30
 See application file for complete search history.

(56) **References Cited**

U.S. PATENT DOCUMENTS

4,596,726 A 6/1986 Wrzalinski
 D392,114 S 3/1998 Thorp et al.

D436,469 S * 1/2001 Idaszak D6/643
 D450,465 S 11/2001 Overthun et al.
 D460,274 S 7/2002 Bennie et al.
 D460,630 S 7/2002 Ritch et al.
 D525,460 S 7/2006 Nobles et al.
 D725,919 S 4/2015 Hidalgo
 D726,424 S 4/2015 Nguyen et al.
 D777,459 S 1/2017 Parshad
 D782,835 S 4/2017 Parshad
 D796,216 S 9/2017 Rockwell et al.
 D798,610 S 10/2017 Kitajima
 D798,615 S * 10/2017 Lievore D6/332
 D807,652 S 1/2018 Kawamoto
 9,920,520 B2 3/2018 Udagawa et al.
 D848,159 S 5/2019 Hiyoshi et al.
 D848,160 S 5/2019 Hiyoshi et al.
 D859,013 S 9/2019 Yamamoto
 D870,473 S 12/2019 Hamilton et al.
 D871,783 S 1/2020 Yamamoto
 D873,821 S 1/2020 Song
 D874,164 S 2/2020 Hamilton et al.
 D874,165 S 2/2020 Hamilton et al.
 2008/0178774 A1 * 7/2008 Saccani A47B 83/001
 108/50.01
 2016/0128469 A1 * 5/2016 Matthai E04B 2/7416
 312/265.5

OTHER PUBLICATIONS

Nendo Designs Rolling Office Partitions to Aid Creativity by Emma Tucker. Downloaded on Sep. 24, 2020 from <https://www.dezeen.com/2016/11/06/nendo-designs-rolling-workspace-to-aid-creativity/>.
 Social Collaborative by Allsteel Office. Downloaded on Oct. 2, 2020 from <https://www.allsteeloffice.com/spaces-inspiration/inspiration/social-collaborative>. https://res.cloudinary.com/hni-corporation/image/upload/d_allsteel-fallback-image_jy84n9.jpg/f_jpg,q_auto/t_dl_medium/v1585448673/Allsteel/Brand/Brand%20Connect%20Assets/Showroom%20Maps/Townhall6_ofyhix.jpg.

* cited by examiner

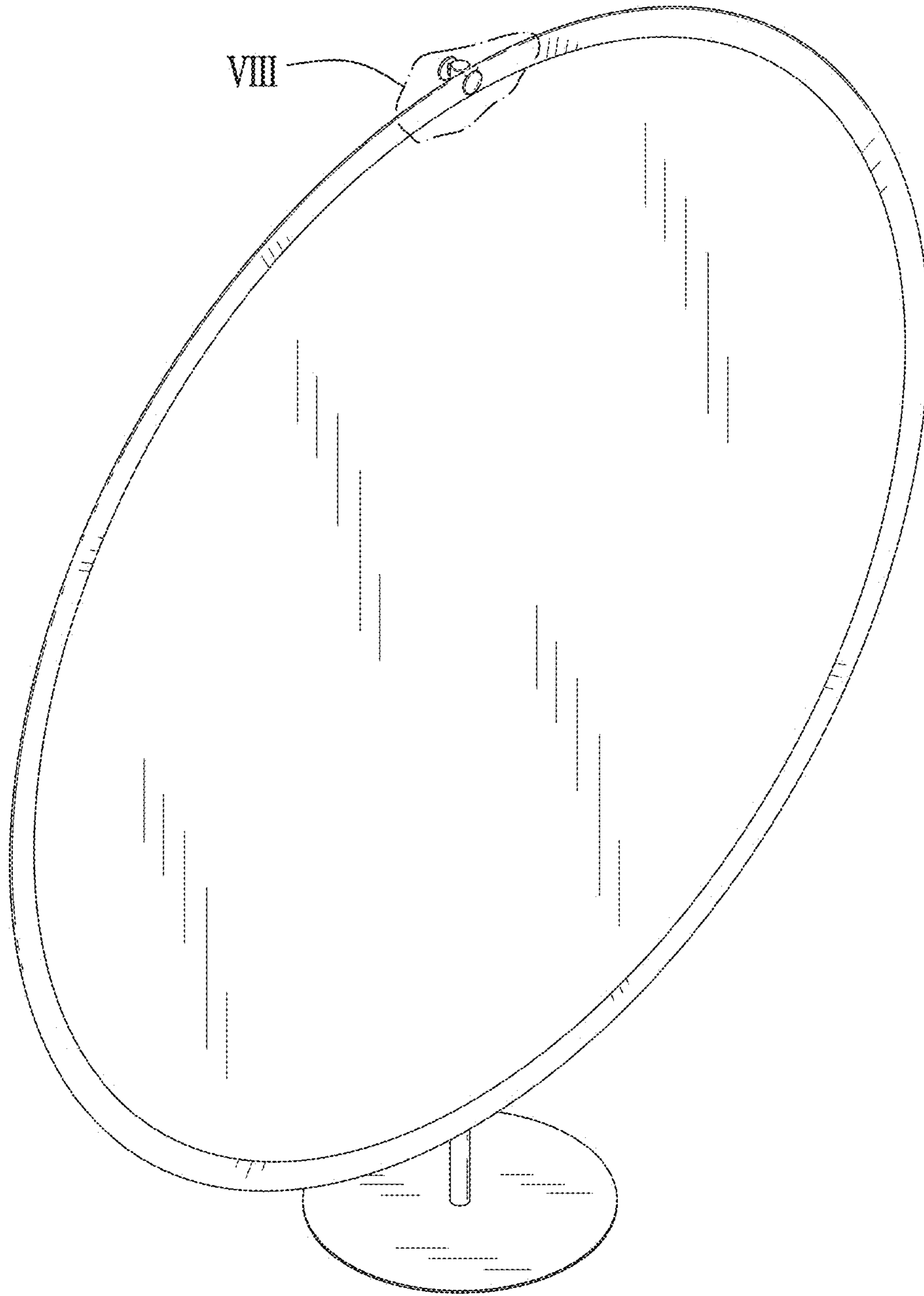


FIG. 1

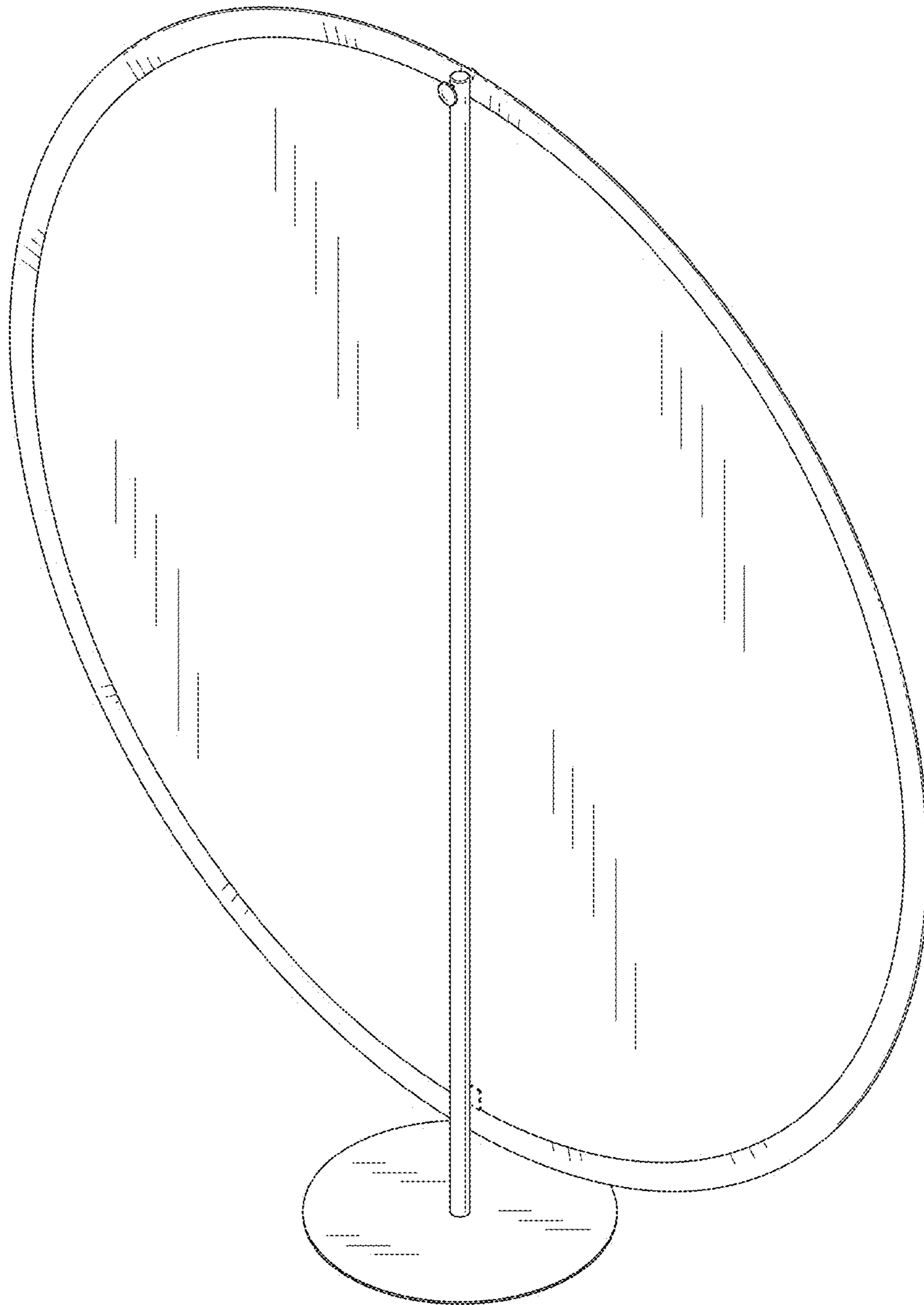


FIG. 2

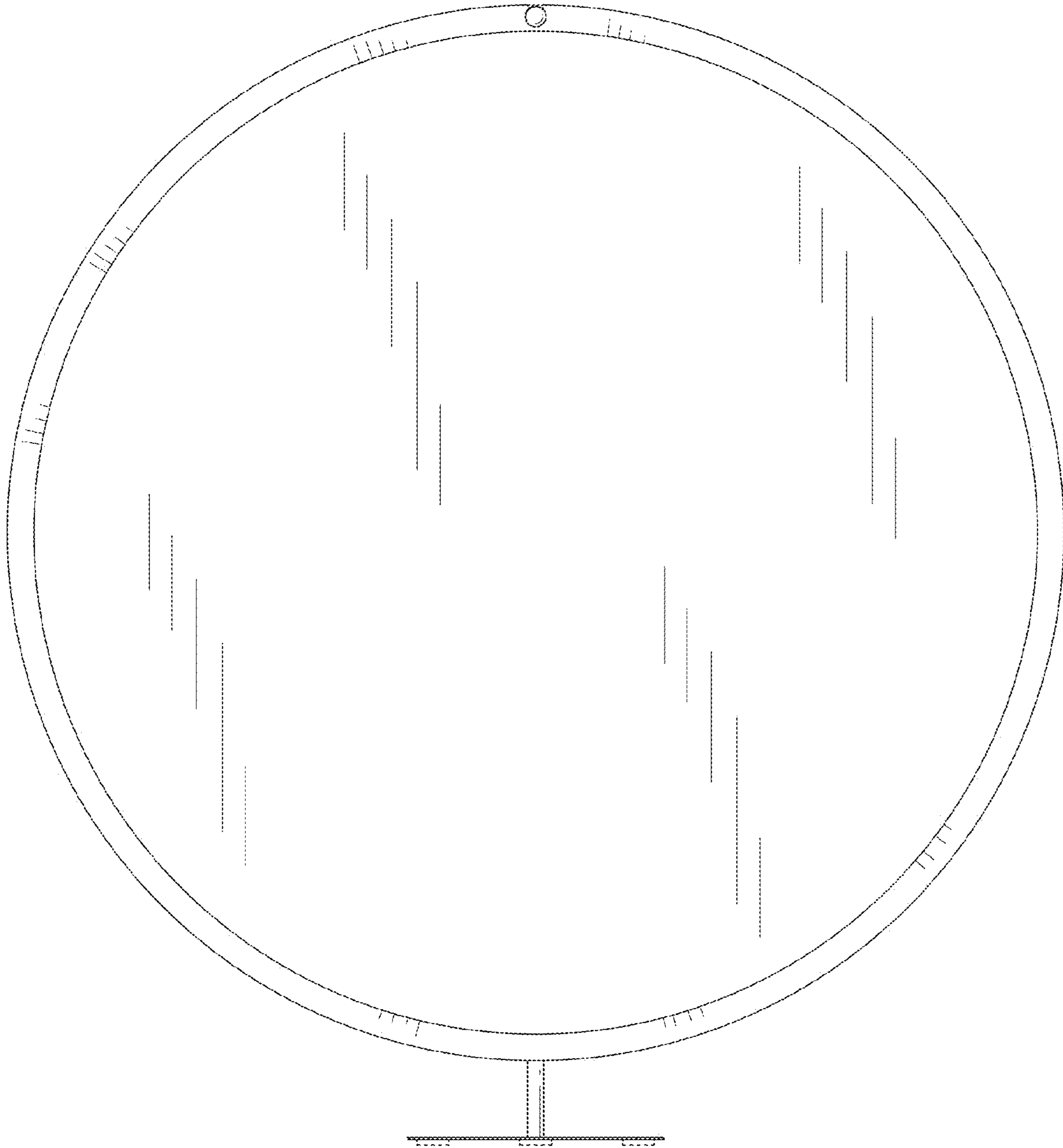


FIG. 3

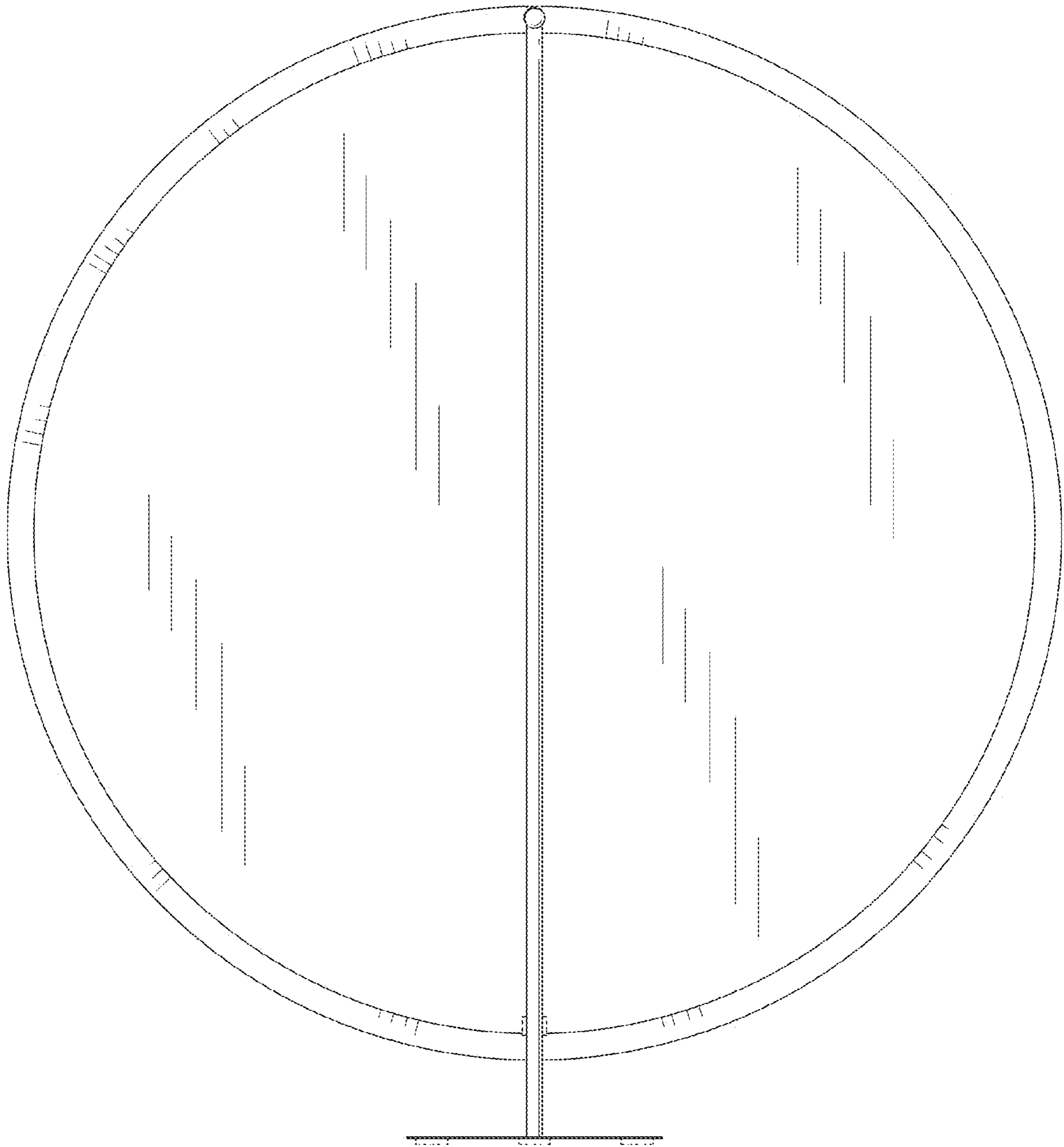


FIG. 4

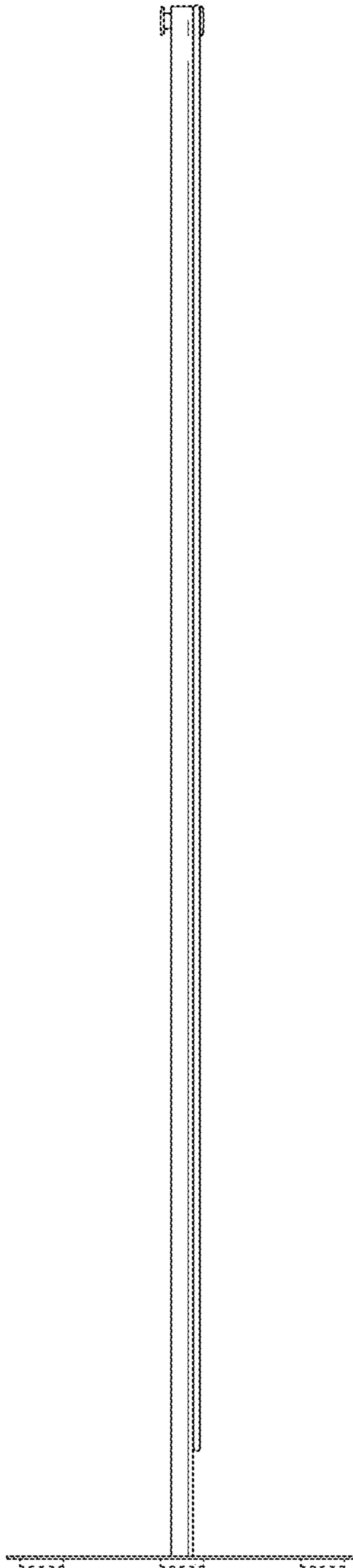


FIG. 5

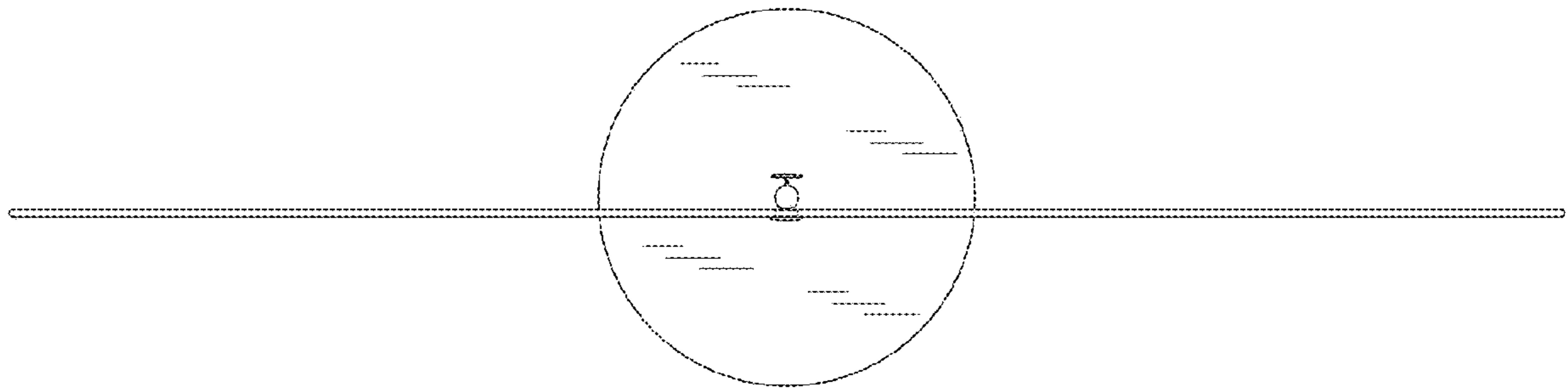


FIG. 6

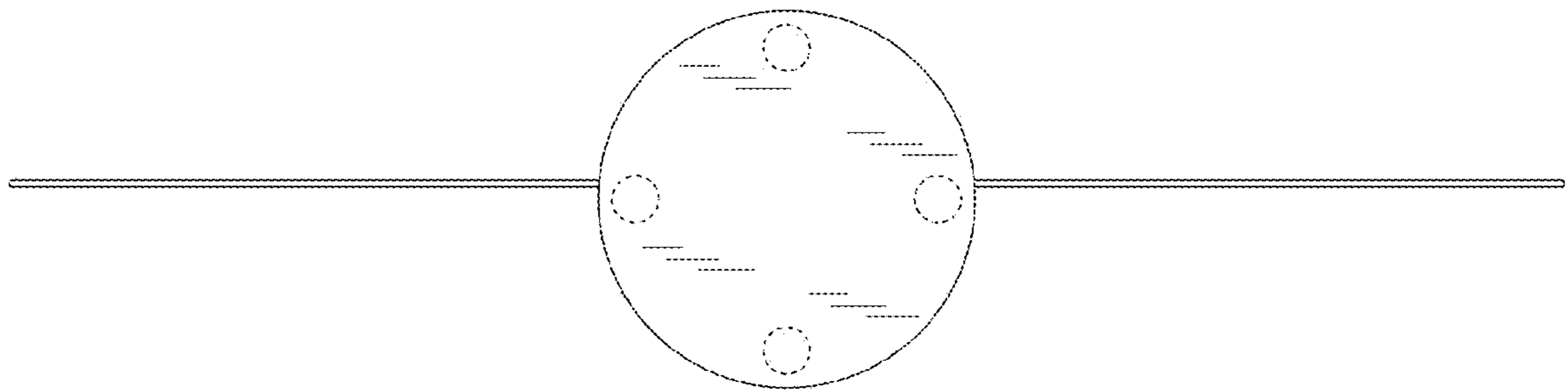


FIG. 7

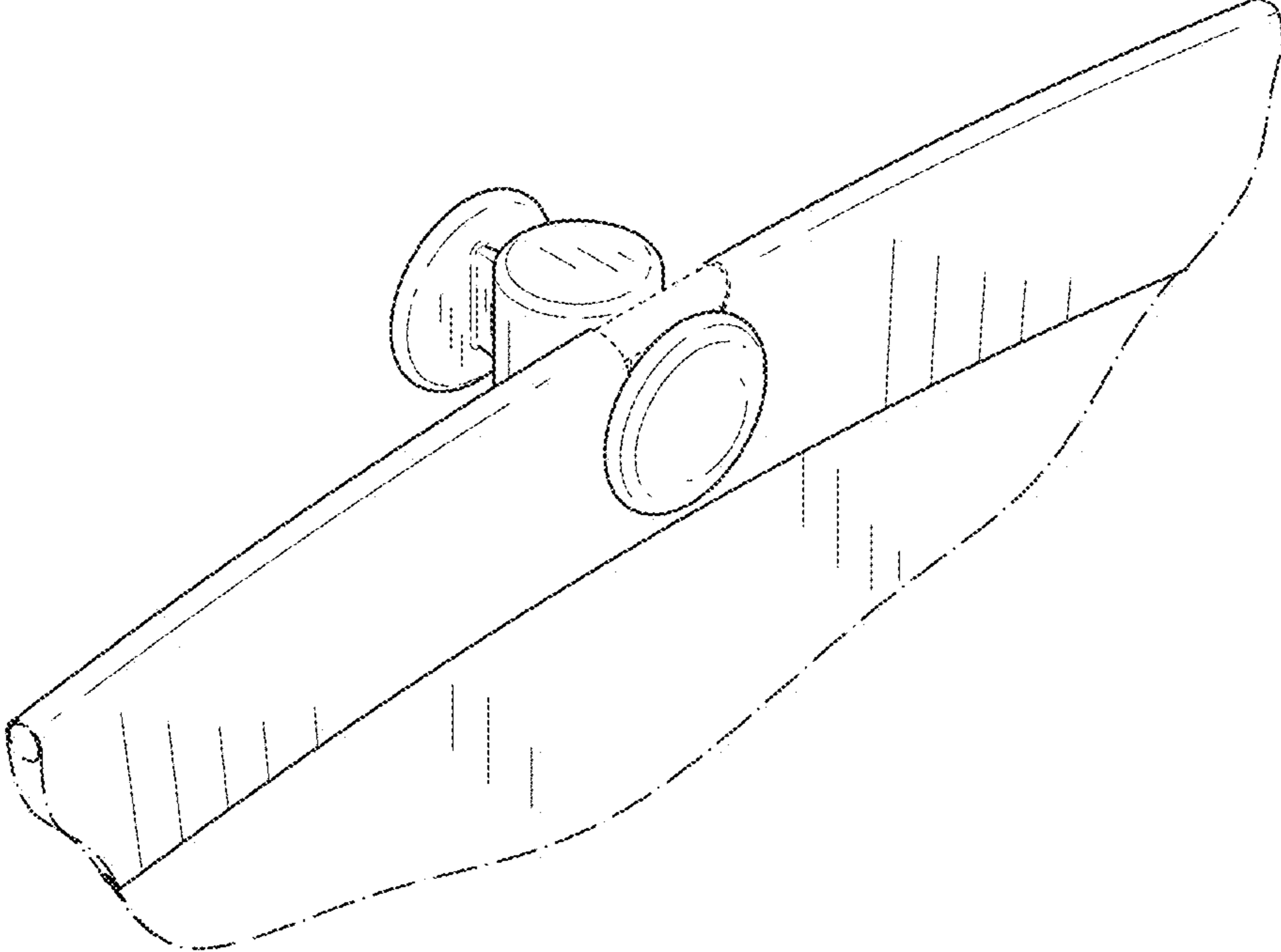


FIG. 8

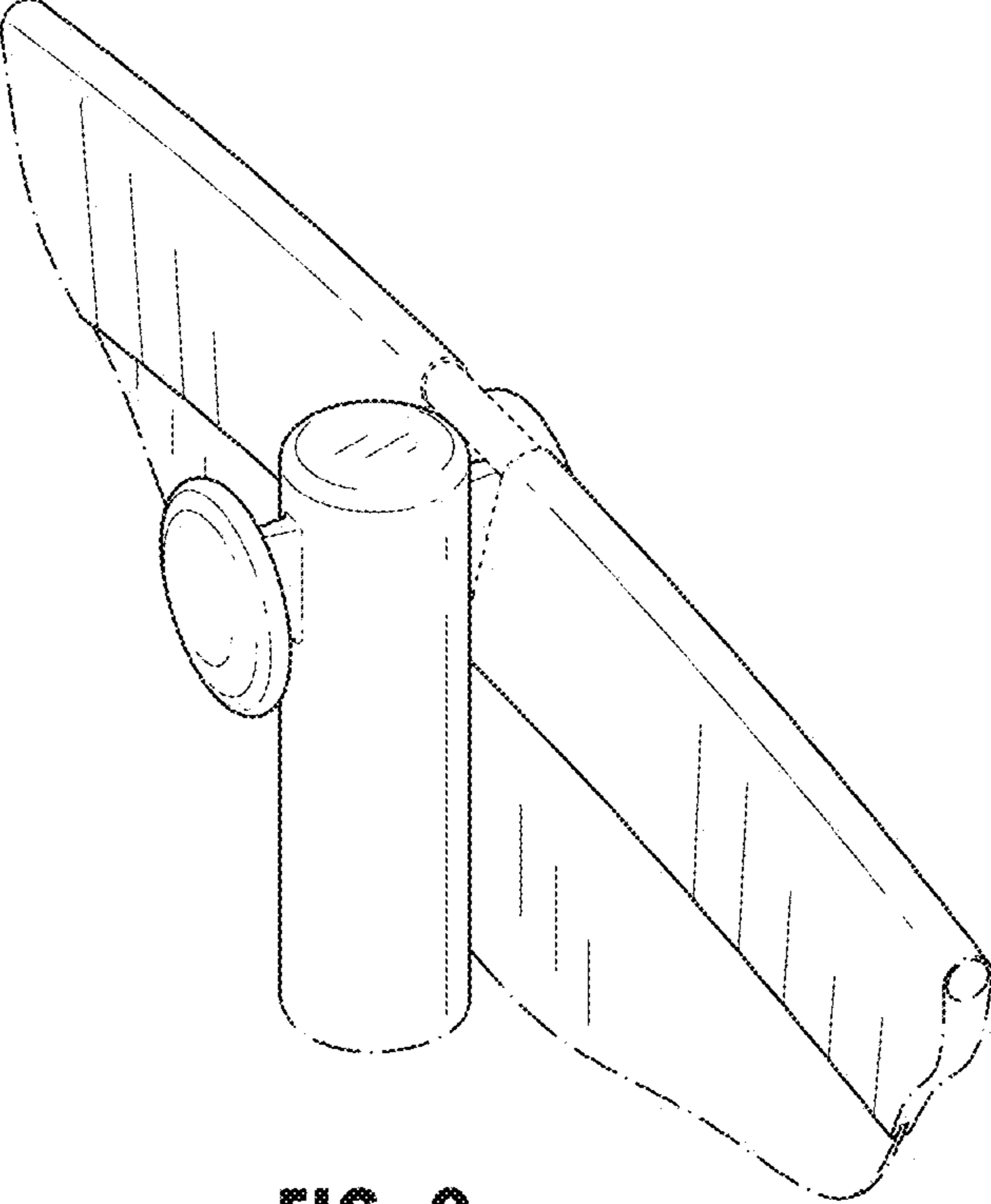


FIG. 9

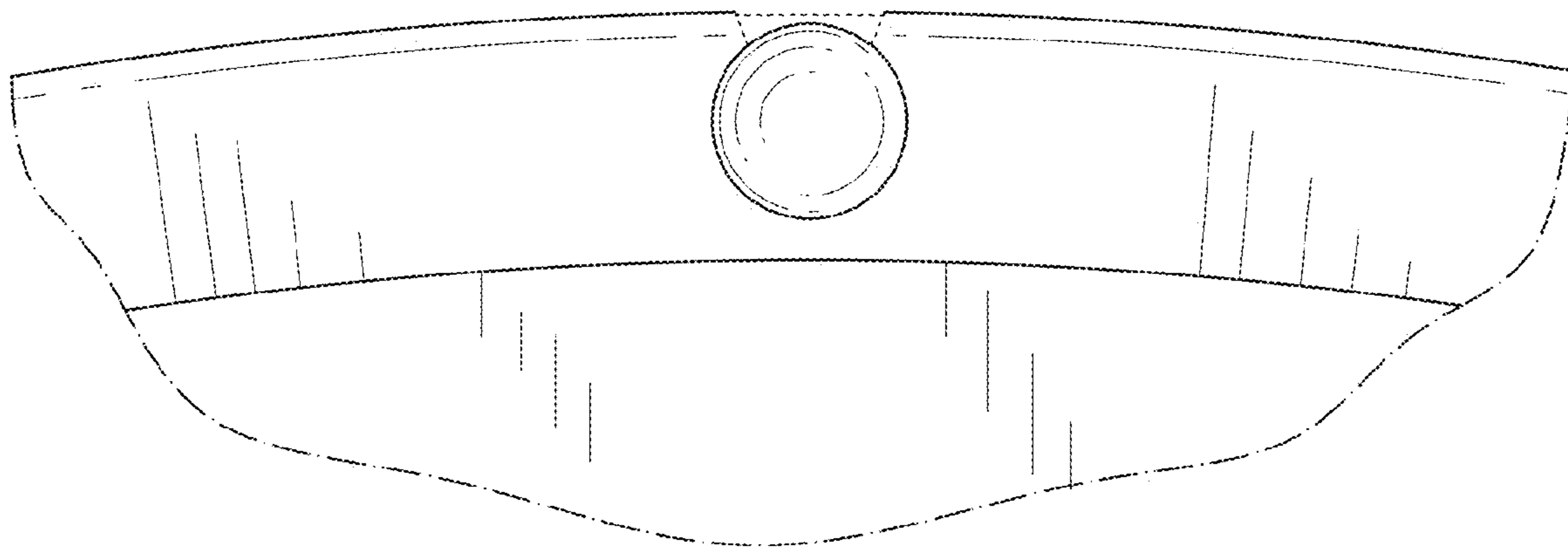


FIG. 10

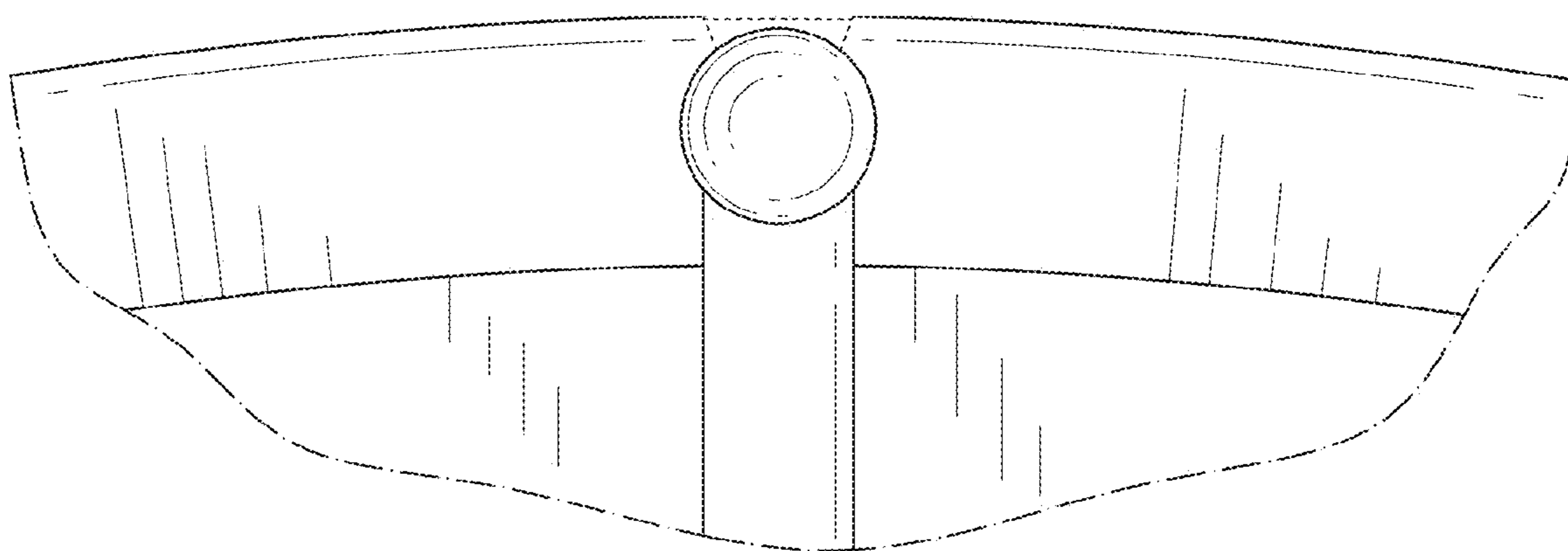


FIG. 11

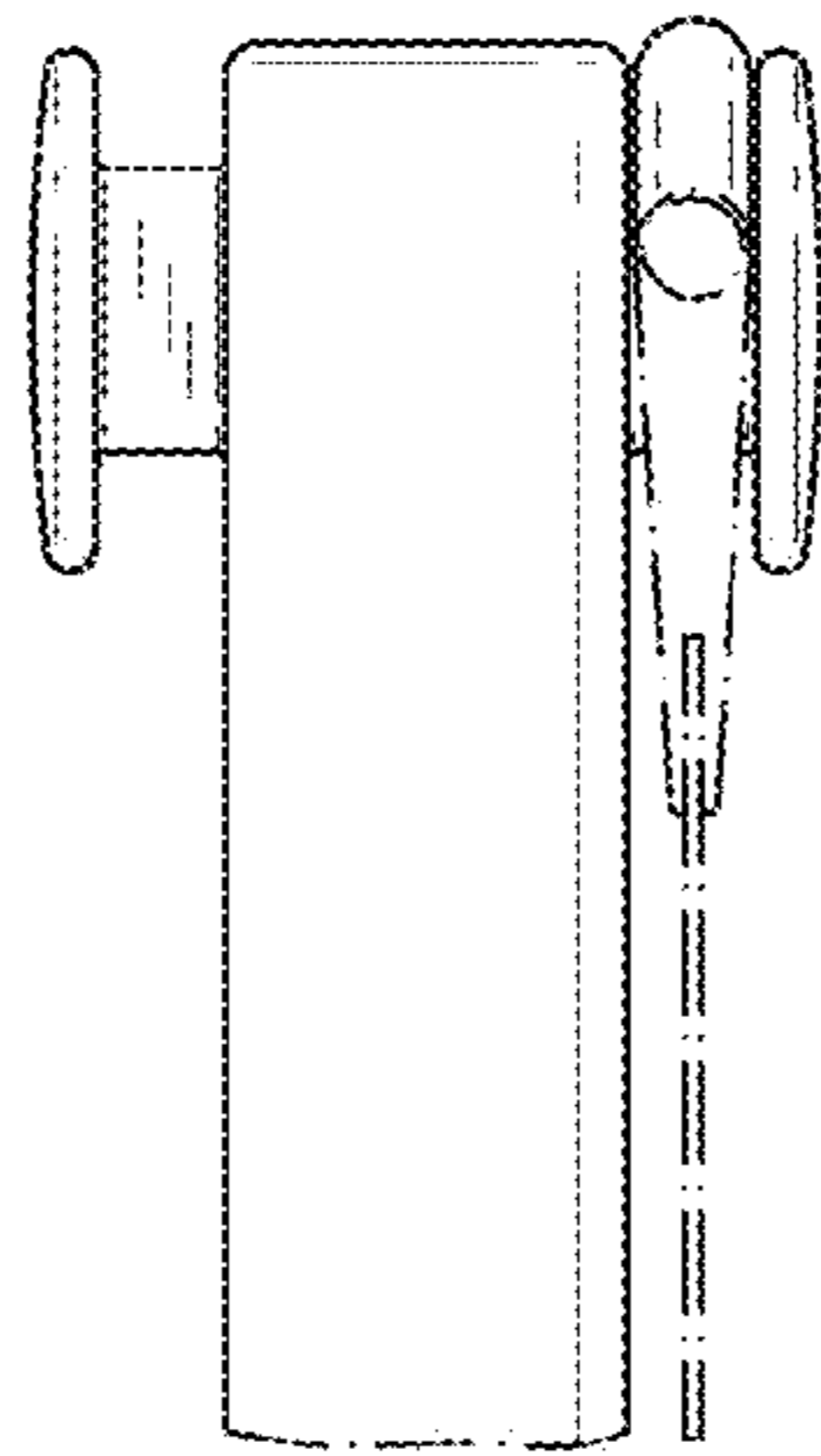


FIG. 12

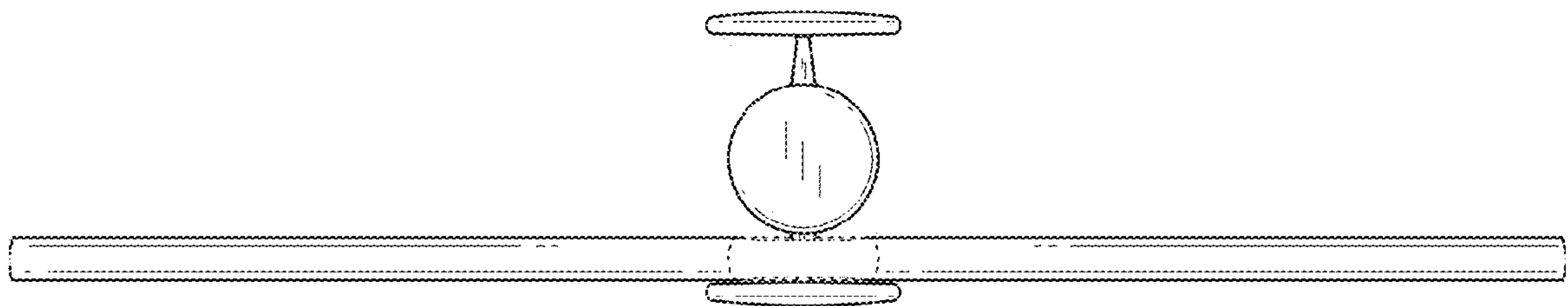


FIG. 13

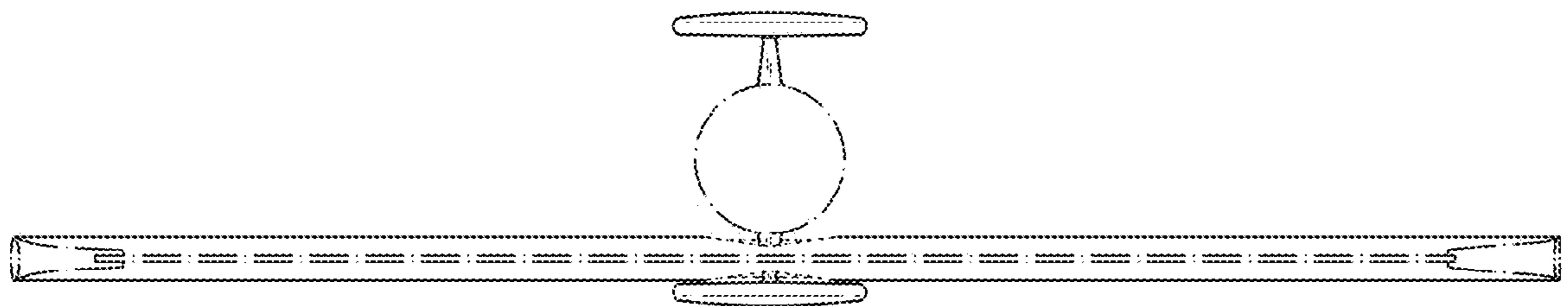


FIG. 14

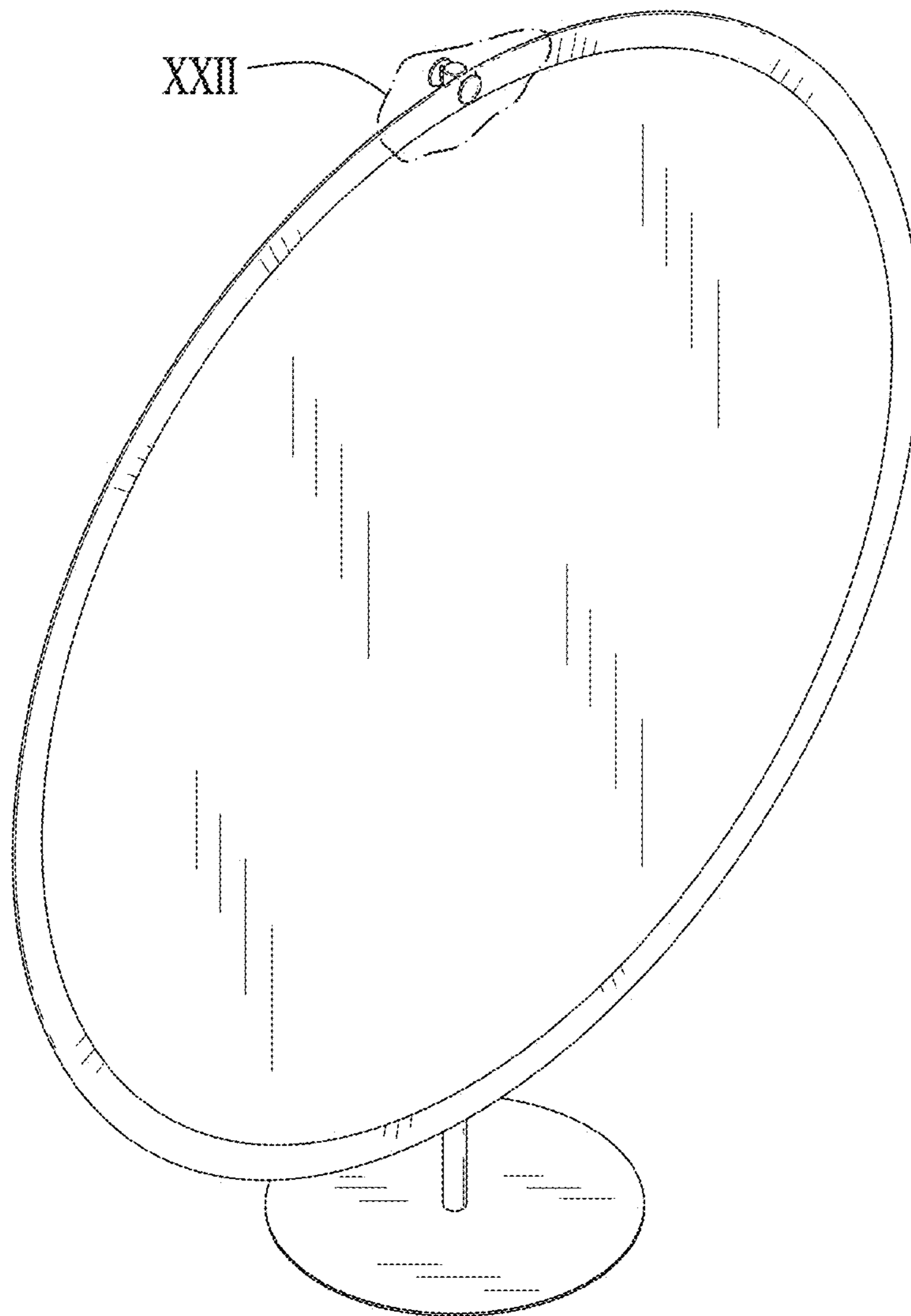


FIG. 15

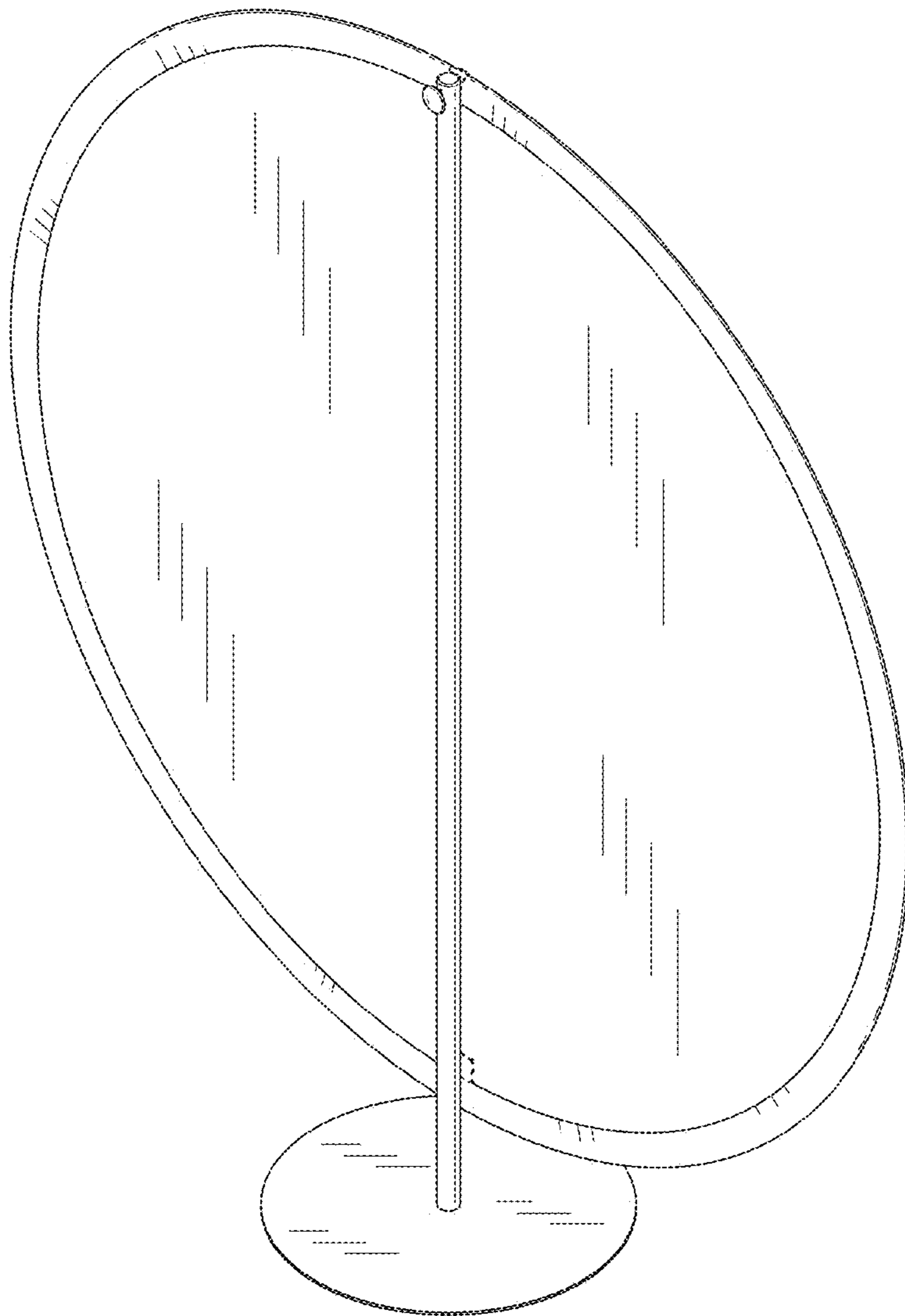


FIG. 16

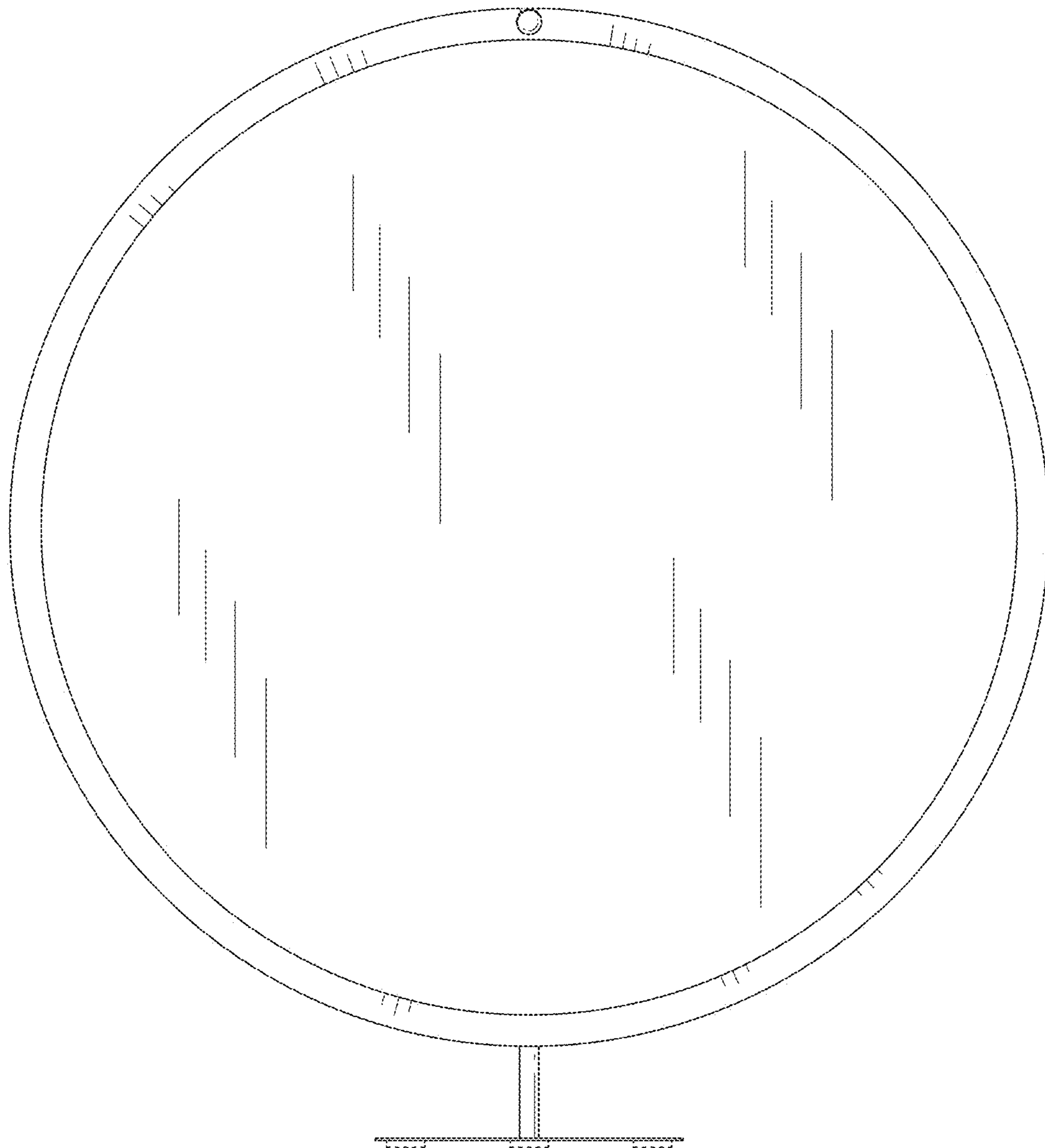


FIG. 17

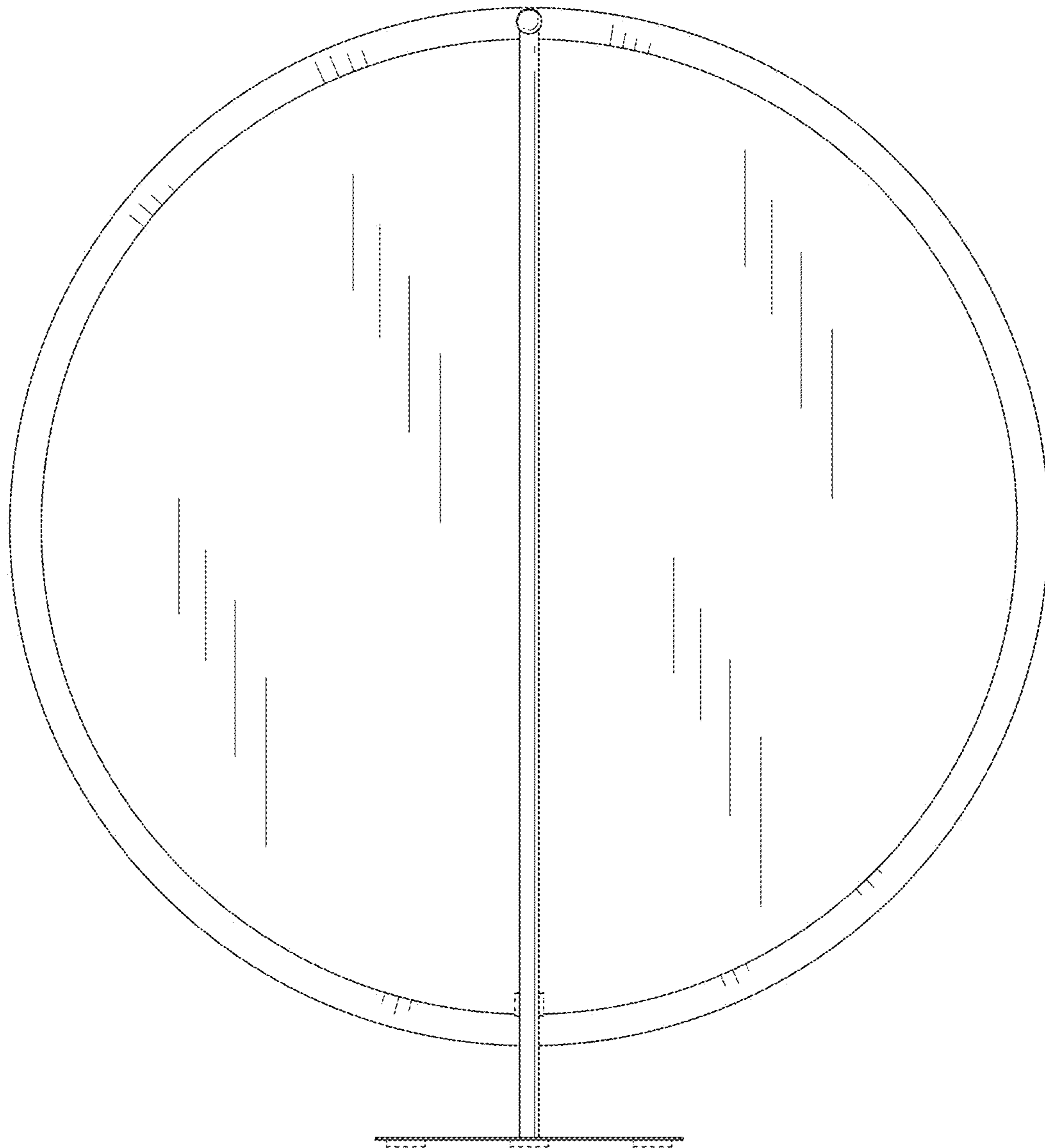


FIG. 18

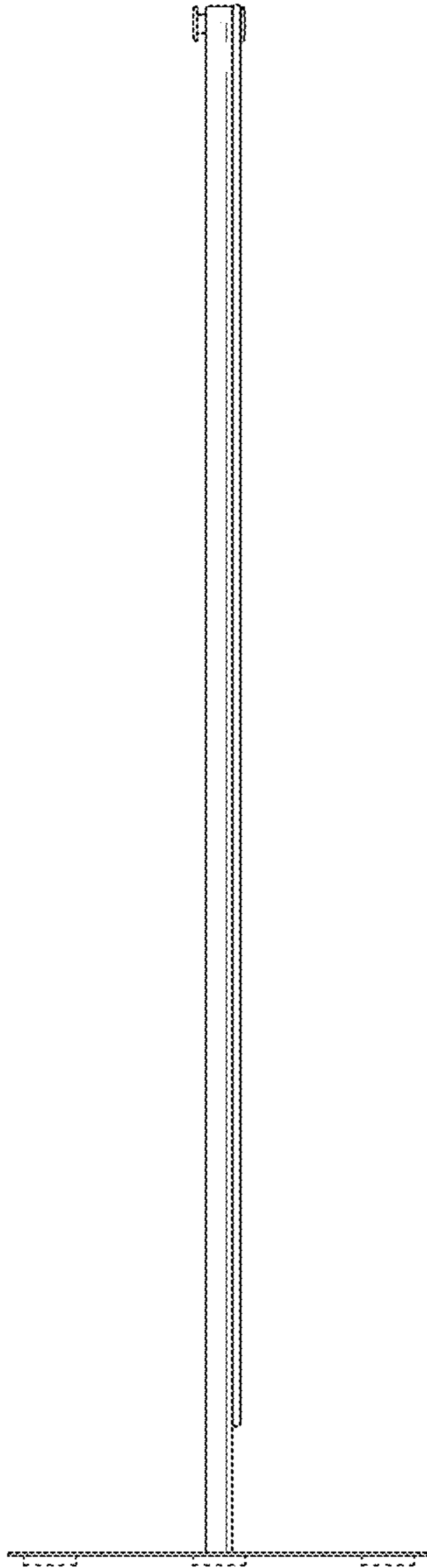


FIG. 19

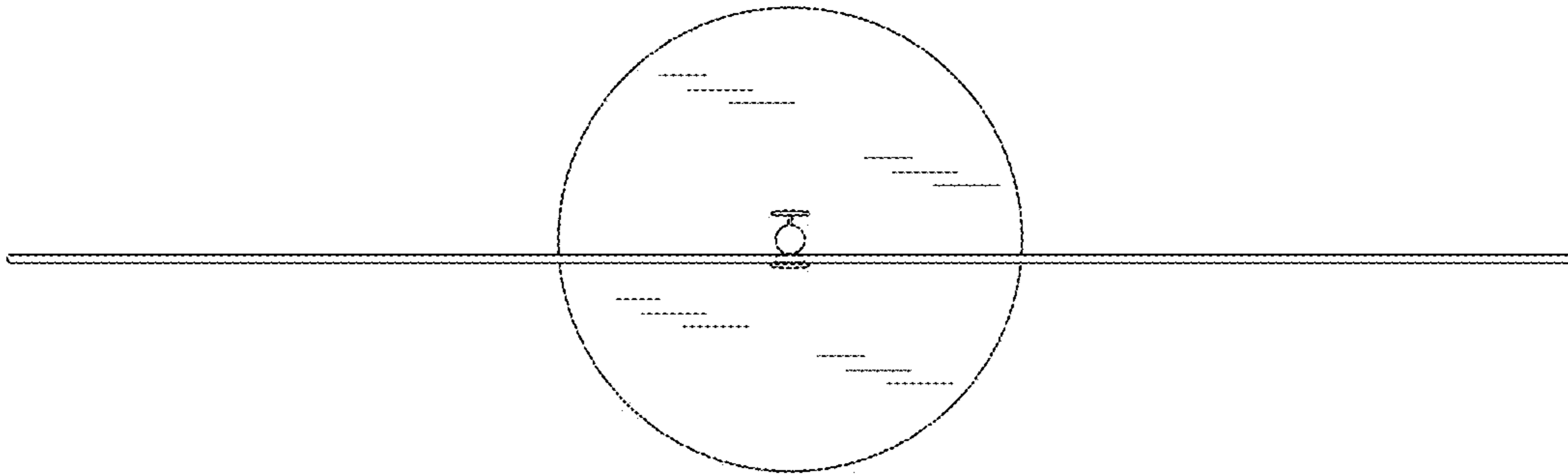


FIG. 20

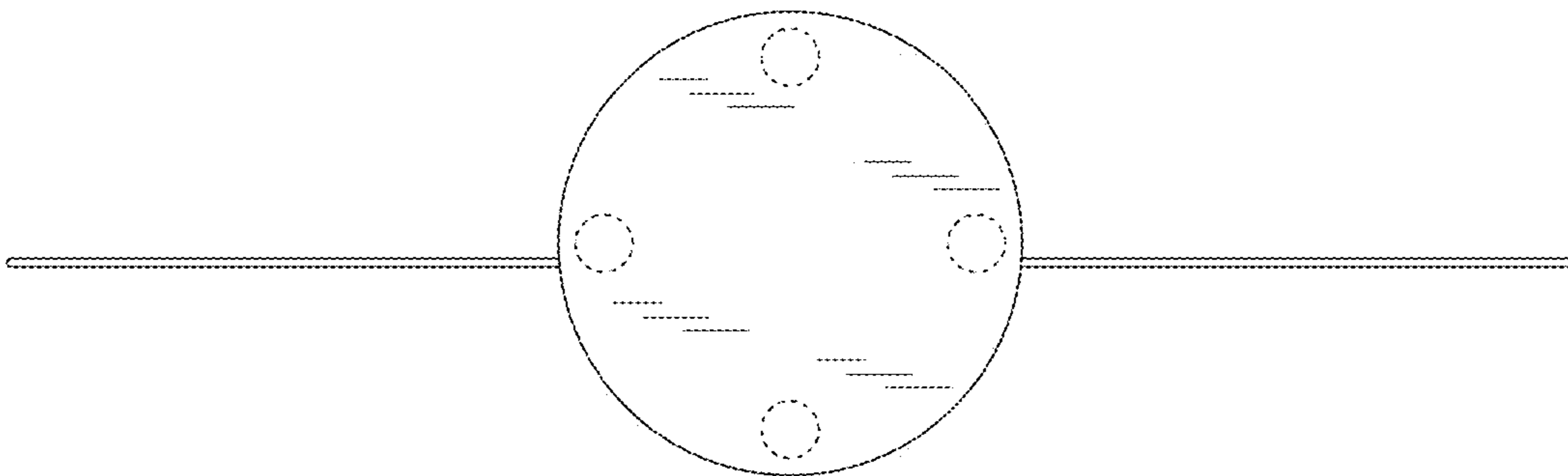


FIG. 21

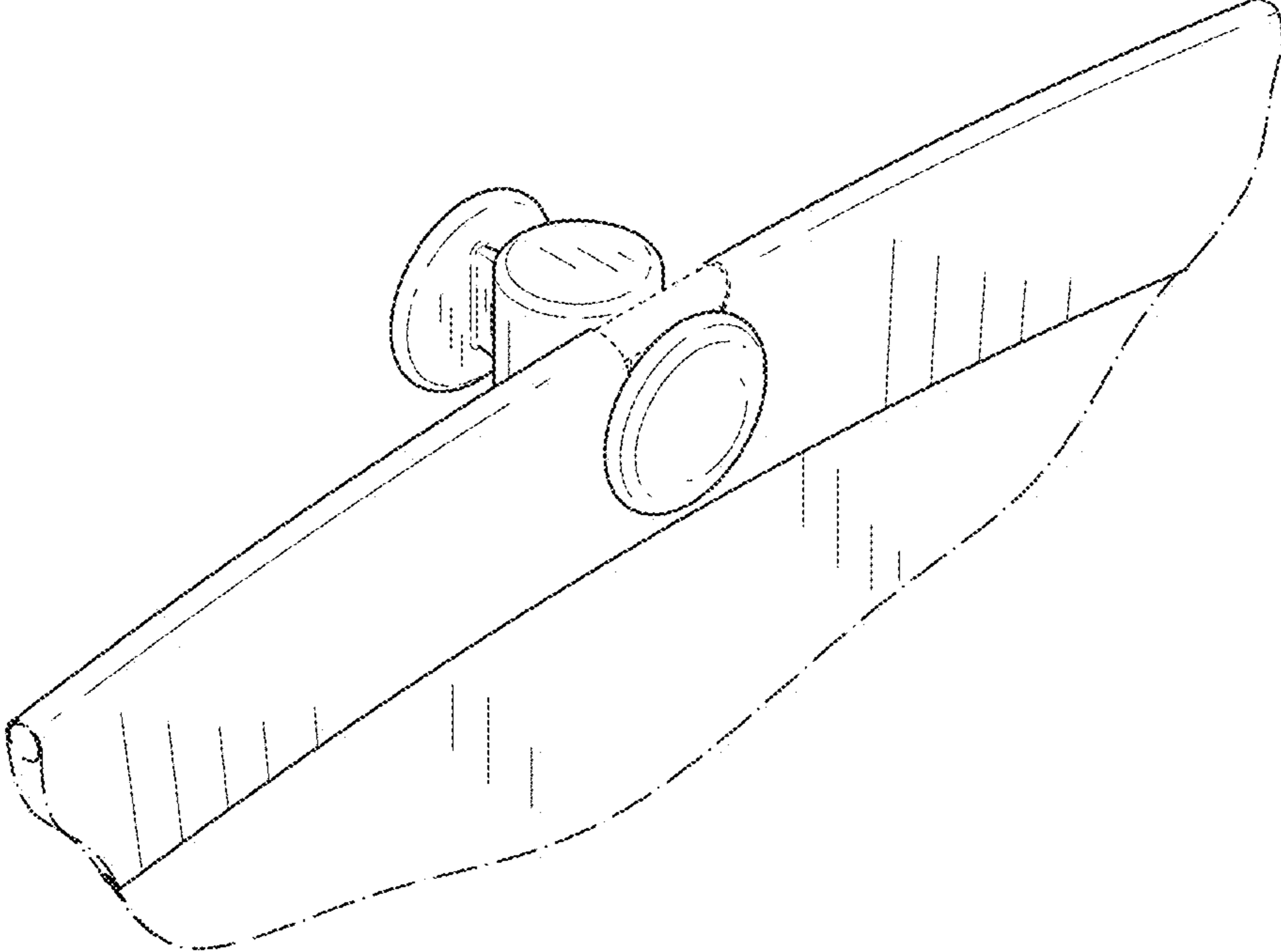


FIG. 22

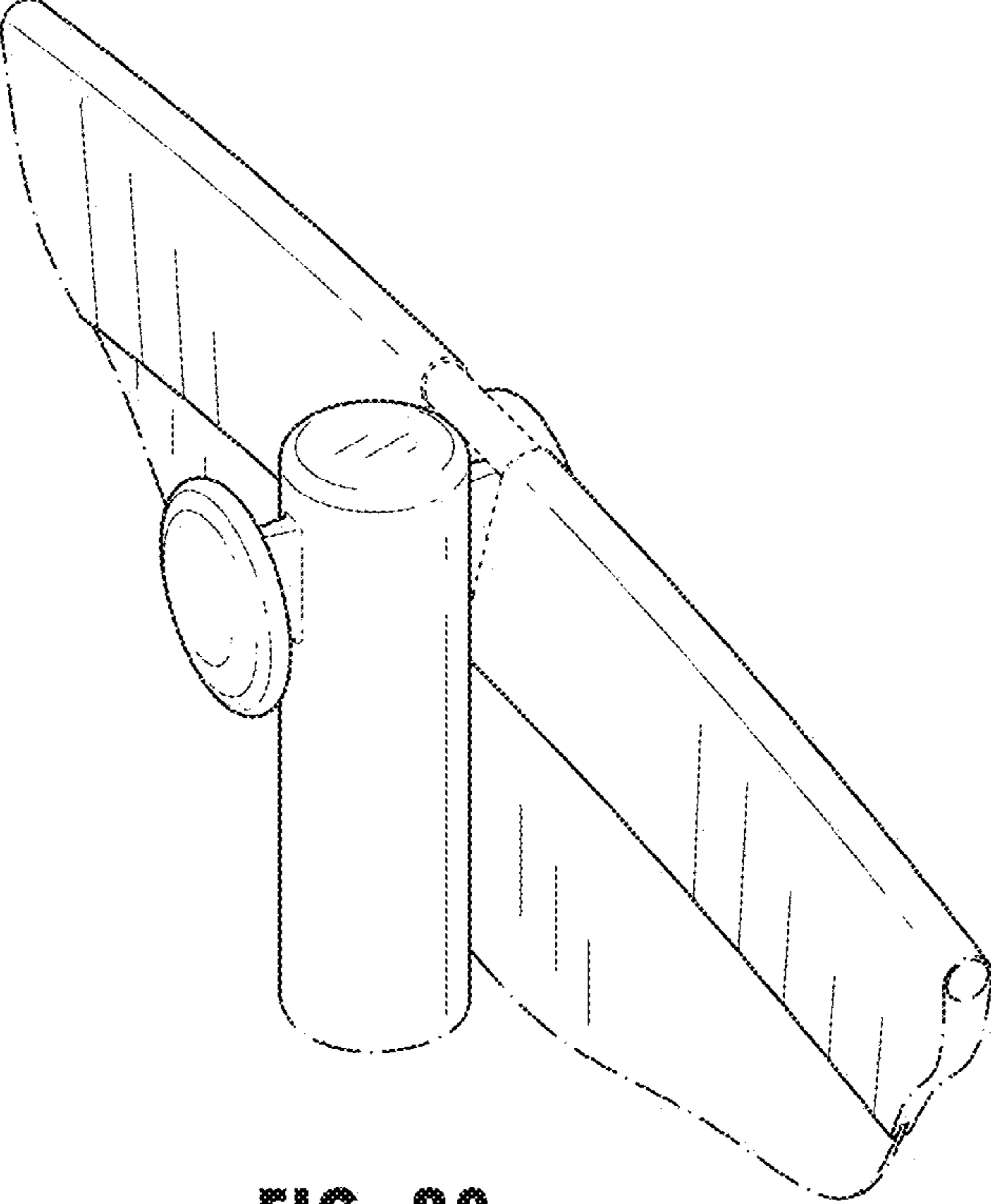


FIG. 23

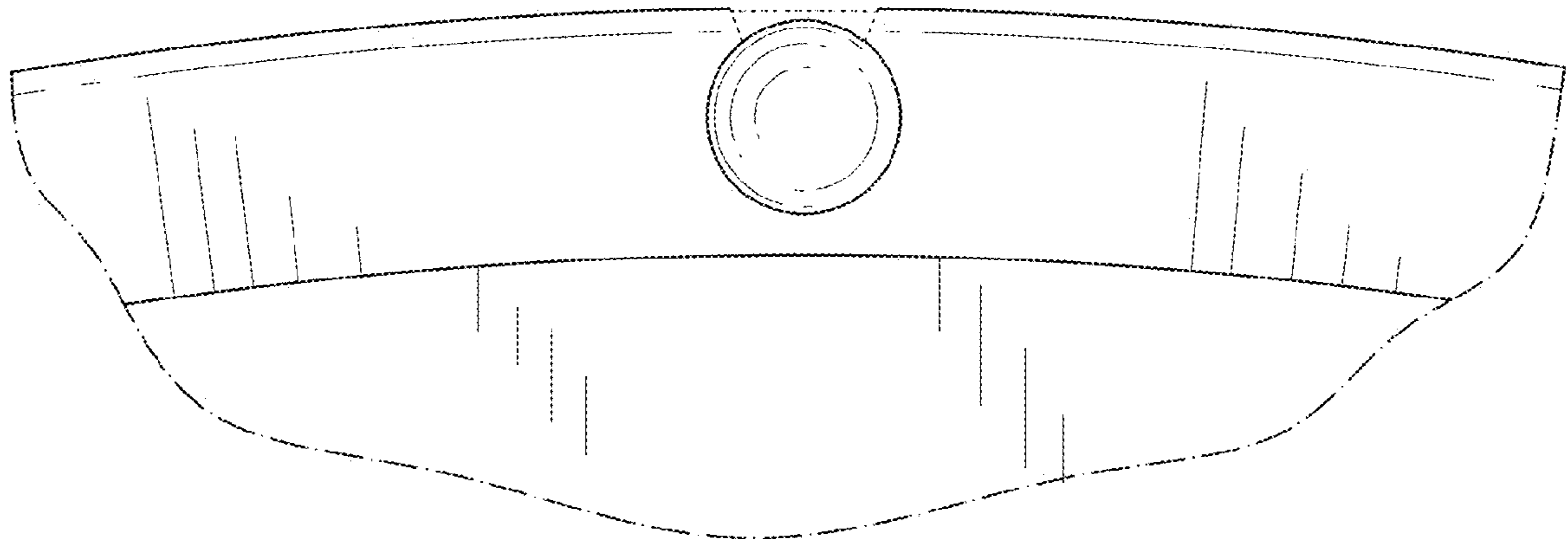


FIG. 24

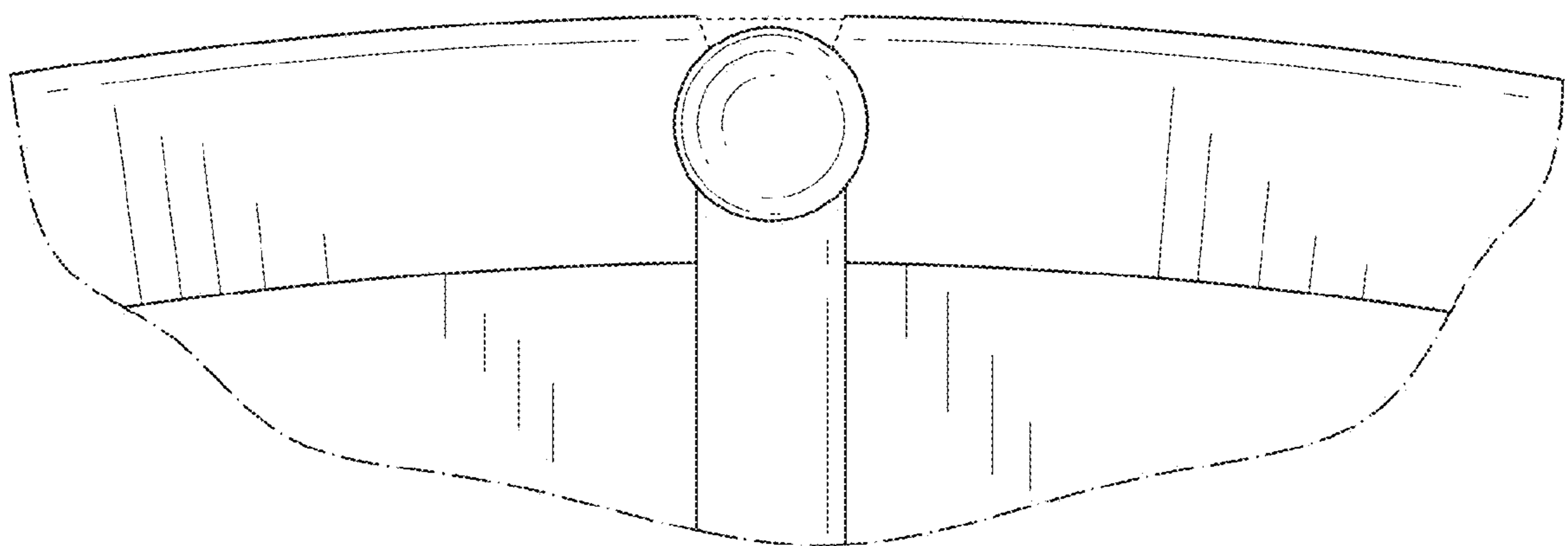


FIG. 25

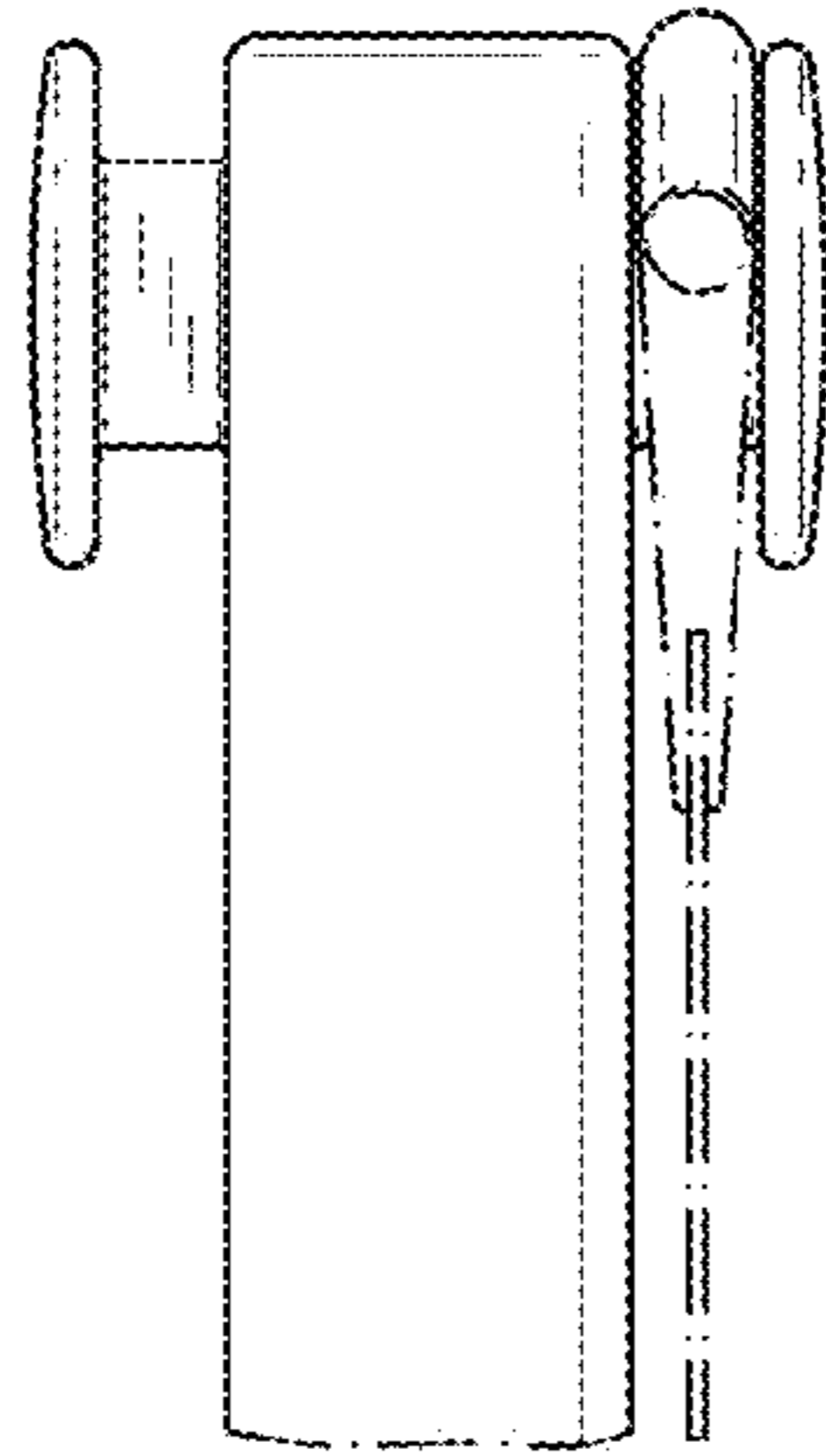


FIG. 26

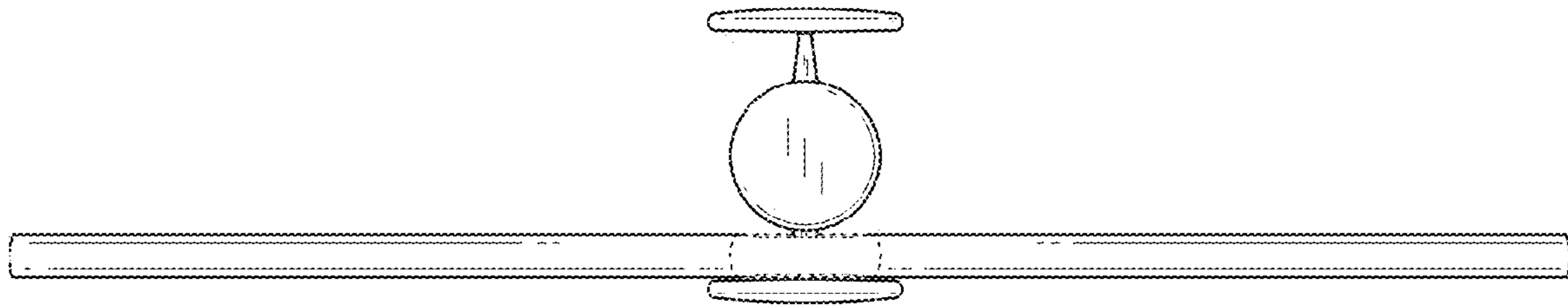


FIG. 27

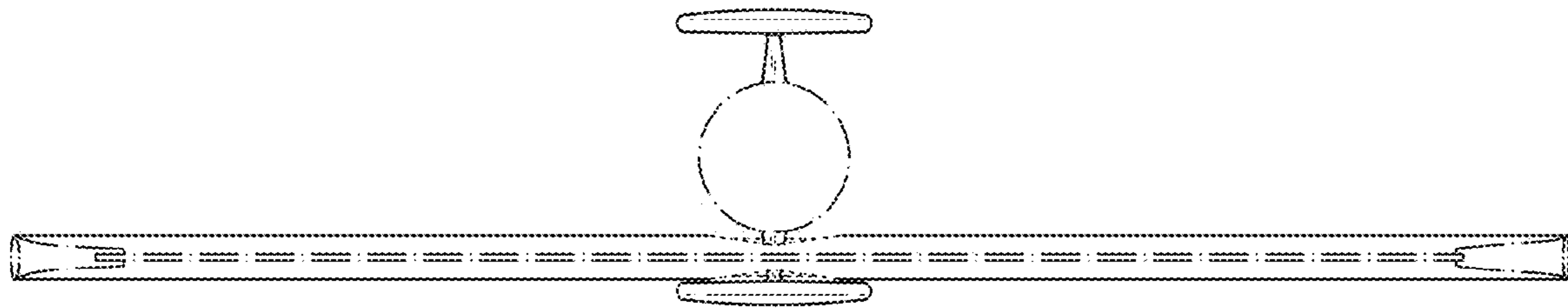


FIG. 28