

US00D966718S

(12) **United States Design Patent**
Zhao

(10) **Patent No.:** **US D966,718 S**

(45) **Date of Patent:** **** Oct. 18, 2022**

(54) **HAIR BRUSH**

(71) Applicant: **Liang Yuan Zhao**, Fullerton, CA (US)

(72) Inventor: **Liang Yuan Zhao**, Fullerton, CA (US)

(**) Term: **15 Years**

(21) Appl. No.: **29/839,210**

(22) Filed: **May 19, 2022**

(51) **LOC (13) Cl.** **04-99**

(52) **U.S. Cl.**
USPC **D4/134; D28/35**

(58) **Field of Classification Search**
USPC D4/101, 102, 104, 114, 116, 118, 120,
D4/121, 125, 132, 134, 138, 100,
D4/105-113, 115; D28/9, 10, 21, 23, 24,
D28/25, 26, 28, 29, 30, 35
CPC A46B 9/023; A46B 2200/102; A46B
2200/104; A46B 11/00; A46B 11/0037
See application file for complete search history.

(56) **References Cited**

U.S. PATENT DOCUMENTS

D309,529 S *	7/1990	Kim	D4/114
5,297,882 A *	3/1994	Kornides	A46B 11/0041 401/277
D391,019 S *	2/1998	Seifert	D28/35
D401,382 S *	11/1998	Seifert	D28/35
D445,259 S *	7/2001	Axelsson	B25G 3/10 D4/138
D765,911 S *	9/2016	Hollinger	D28/35
9,486,062 B1 *	11/2016	Piatetsky	A46B 9/023
D804,188 S *	12/2017	Du	D28/35
D862,087 S *	10/2019	Ma	D28/35
D881,579 S	4/2020	Gao	
D889,129 S *	7/2020	Janowick	D28/35
D895,294 S *	9/2020	Xie	D28/35

D895,972 S *	9/2020	Janowick	D28/35
D898,363 S *	10/2020	Gan	D28/35
D899,782 S *	10/2020	Yang	D4/134
D901,899 S *	11/2020	Zhanye	D28/35
D904,032 S *	12/2020	Zeng	D28/35
D912,987 S *	3/2021	Chandra	D4/134
D924,483 S *	7/2021	Zhang	D28/25
D930,363 S *	9/2021	Xu	D4/134
D933,957 S *	10/2021	Guo	D28/35
D934,499 S *	10/2021	Xie	D28/35
D934,501 S *	10/2021	Huang	D28/35
D947,547 S *	4/2022	Bermudez Beltran	D4/138
2003/0234026 A1 *	12/2003	Nakamura	A46B 15/0002 132/144
2018/0153295 A1 *	6/2018	Pilevsky	A46B 9/023

* cited by examiner

Primary Examiner — Rebekah A Caruso

(57) **CLAIM**

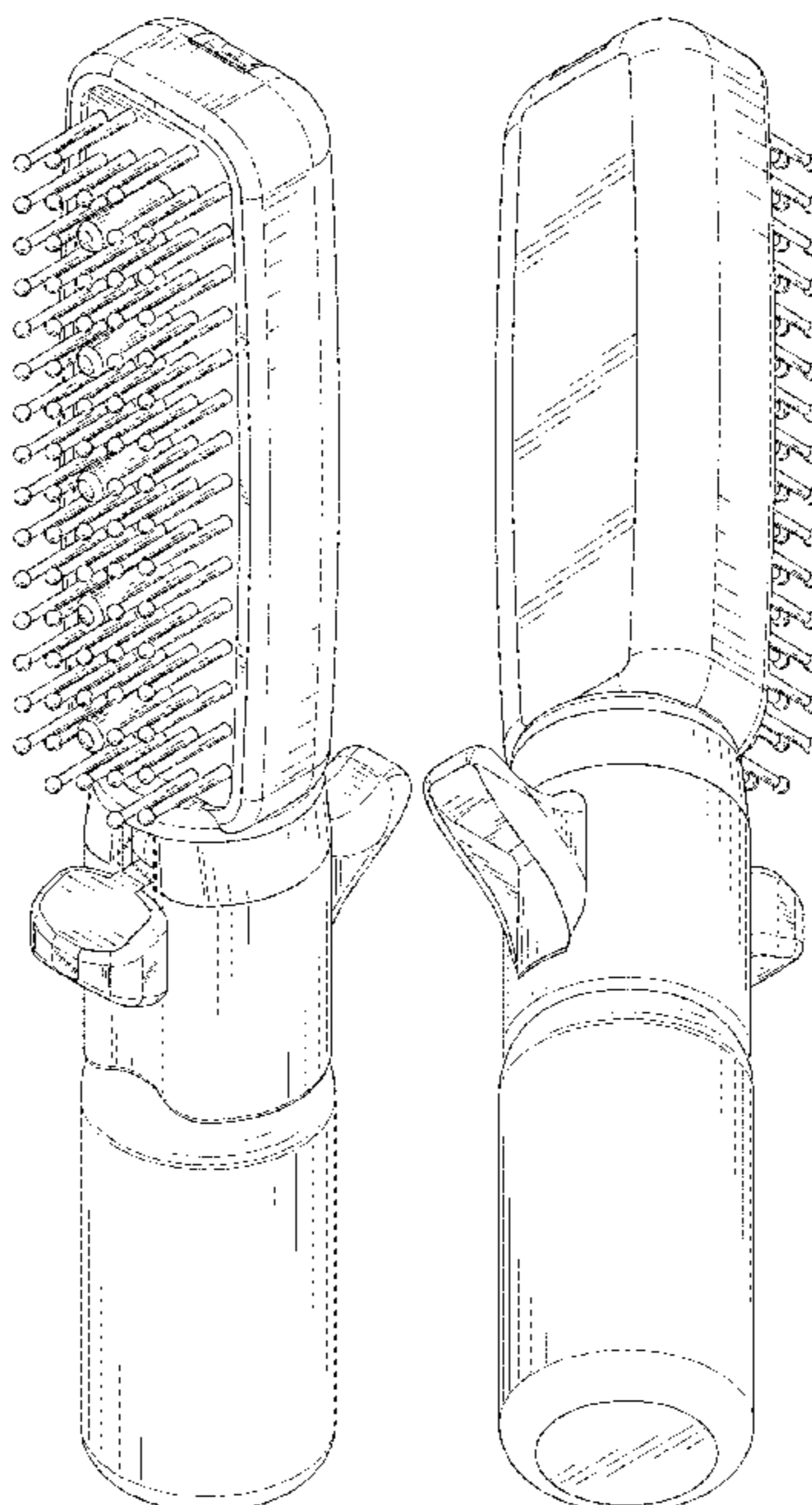
The ornamental design for a hair brush, as shown and described.

DESCRIPTION

FIG. 1 is a front and top perspective view of a hair brush, showing my new design;
FIG. 2 is a rear and bottom perspective view thereof;
FIG. 3 is a front view thereof;
FIG. 4 is a rear view thereof;
FIG. 5 is a left side elevation view thereof;
FIG. 6 is a right side elevation view thereof;
FIG. 7 is a top plan view thereof;
FIG. 8 is a bottom plan view thereof; and,
FIG. 9 is a front and top perspective view of the hair brush with cover of FIG. 1.

The broken lines depict portions of the hair brush in which the design is embodied that form no part of the claimed design.

1 Claim, 9 Drawing Sheets



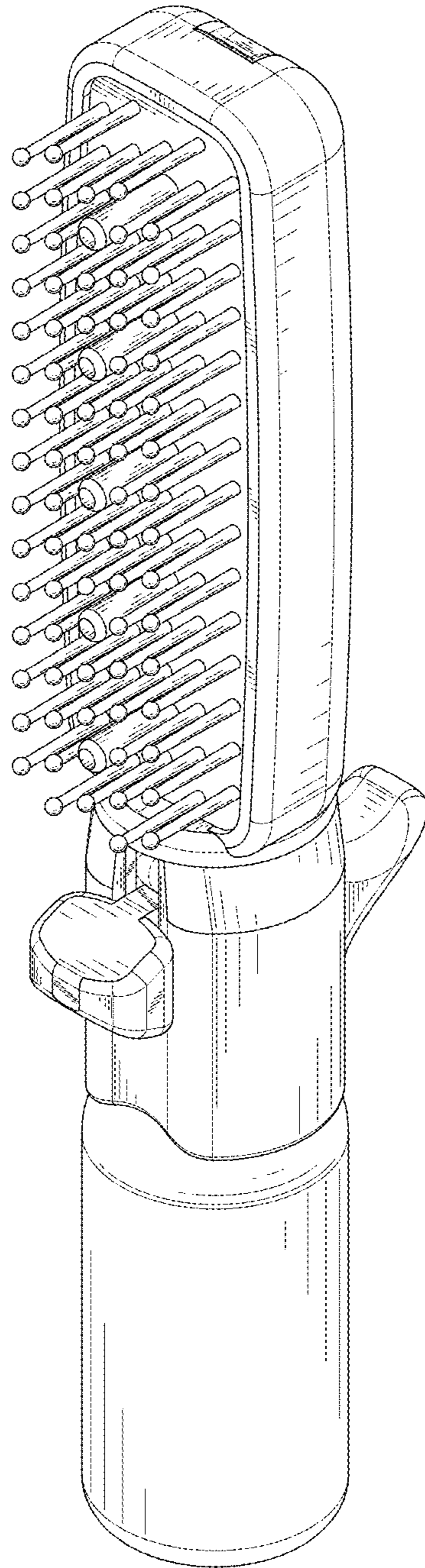


FIG. 1

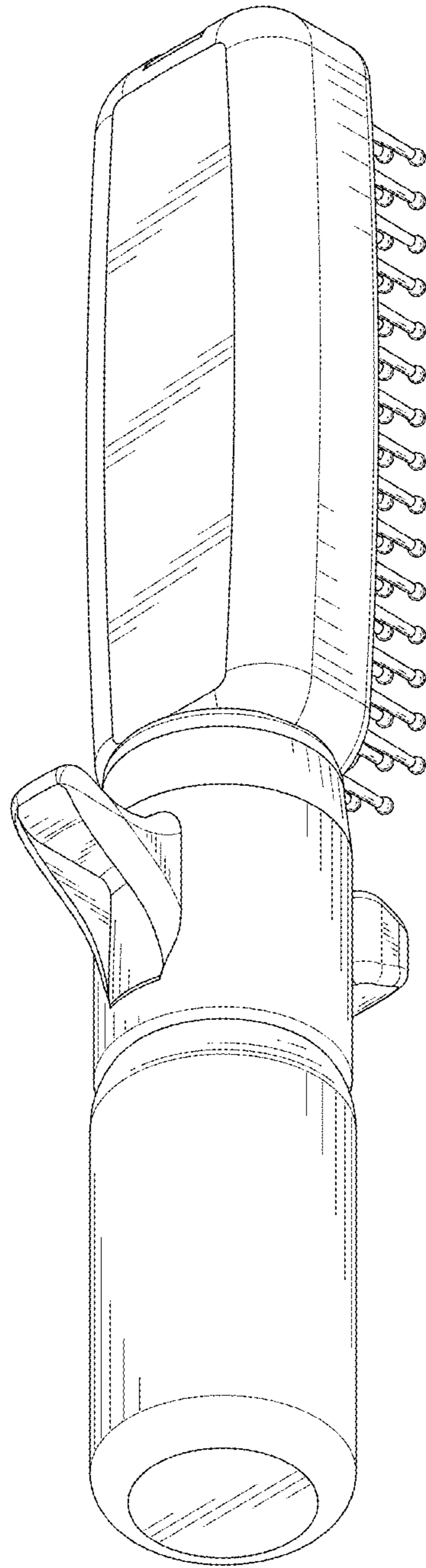


FIG. 2

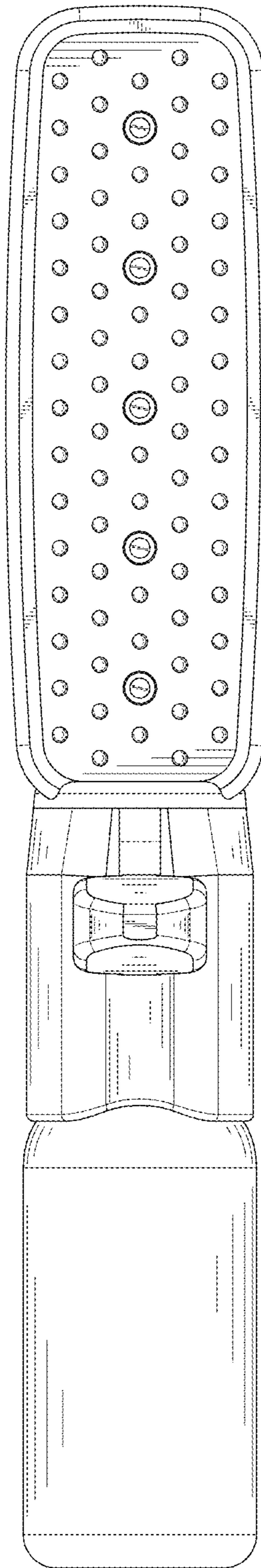


FIG. 3

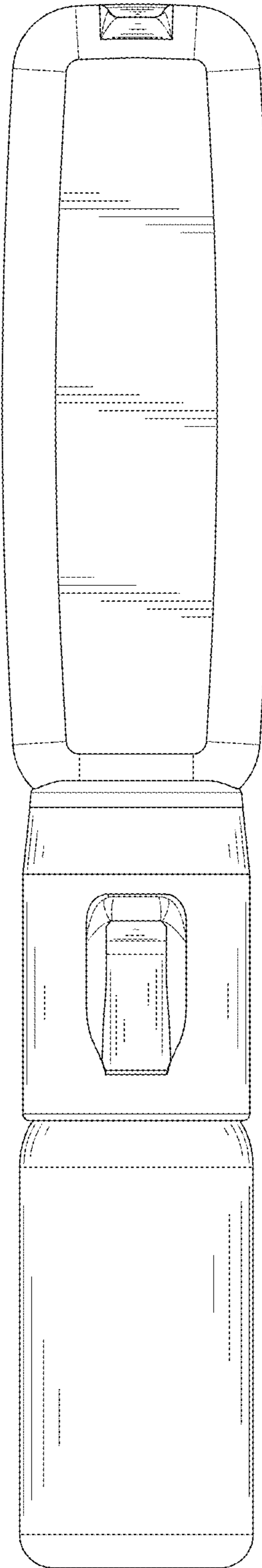


FIG. 4

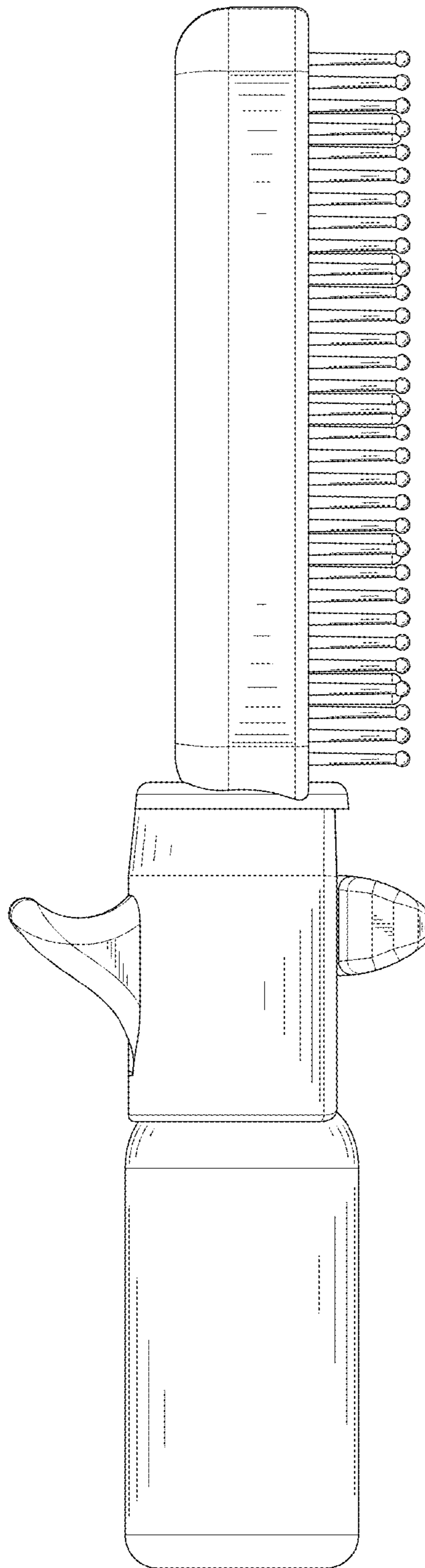


FIG. 5

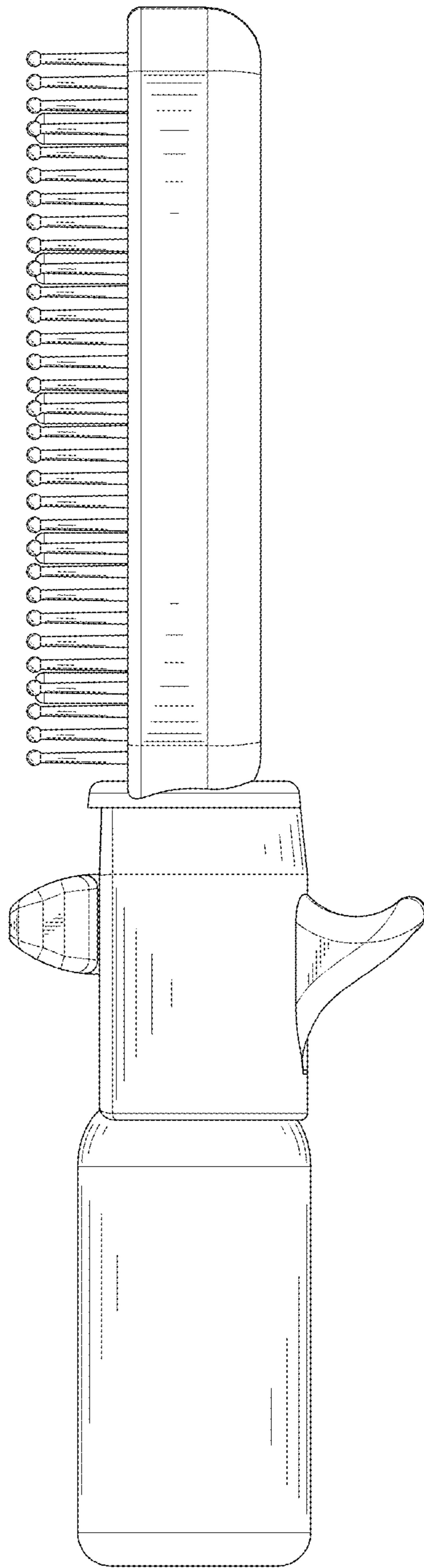


FIG. 6

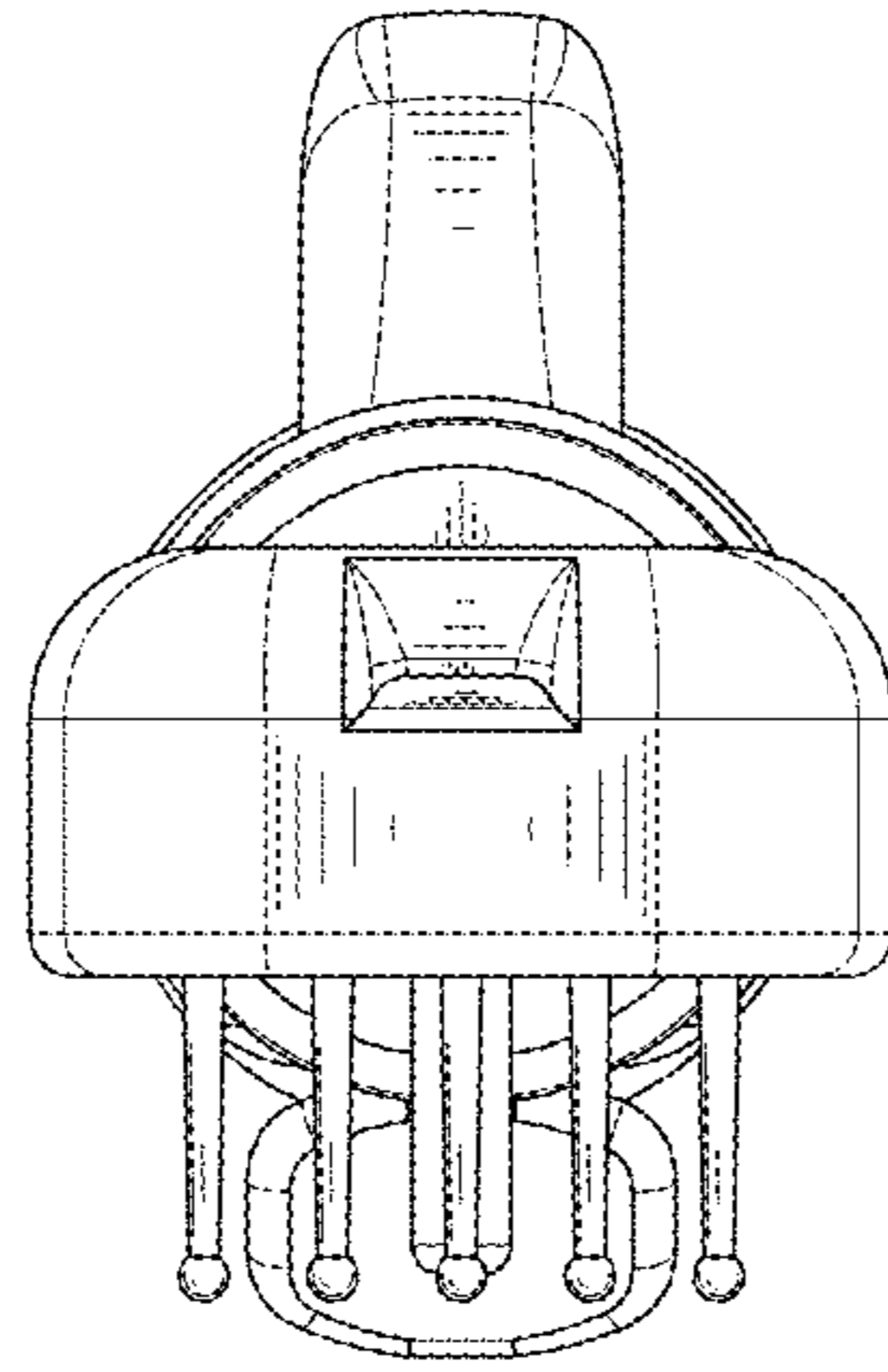


FIG. 7

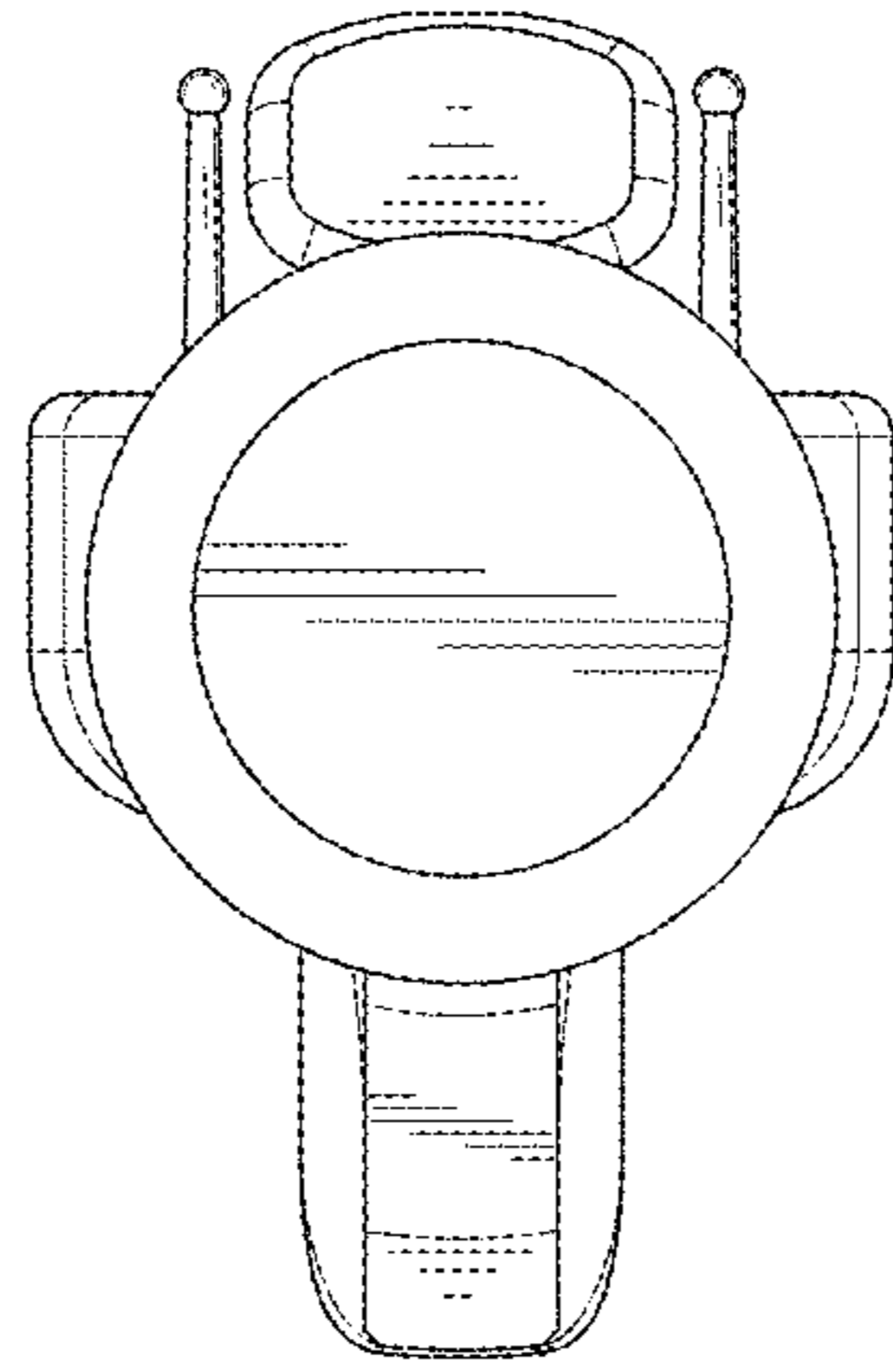


FIG. 8

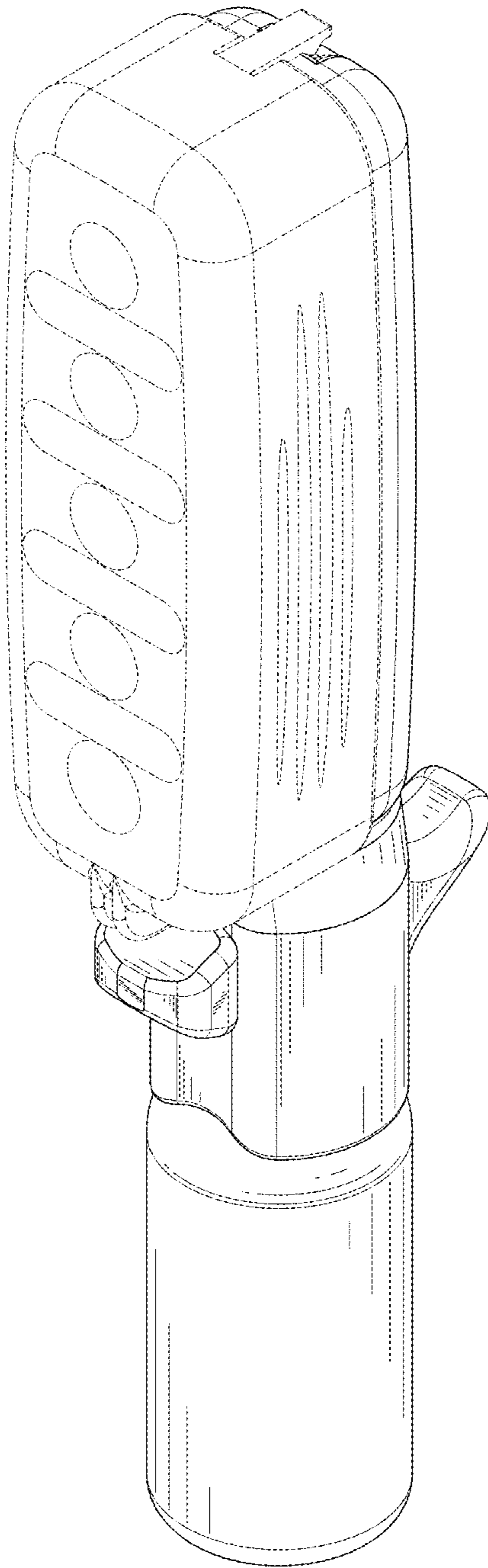


FIG. 9