

US00D966714S

(12) **United States Design Patent**  
**Jin**

(10) **Patent No.:** **US D966,714 S**

(45) **Date of Patent:** **\*\* Oct. 18, 2022**

(54) **ELECTRIC BRUSH**

(71) Applicant: **Lianggao Jin**, Linhai (CN)

(72) Inventor: **Lianggao Jin**, Linhai (CN)

(\*\*) Term: **15 Years**

(21) Appl. No.: **29/841,128**

(22) Filed: **Jun. 3, 2022**

(51) **LOC (13) Cl.** ..... **04-02**

(52) **U.S. Cl.**  
USPC ..... **D4/100; D4/102**

(58) **Field of Classification Search**  
USPC ..... D4/101, 102, 104, 114, 116, 118, 120,  
D4/121, 125, 132, 134, 138, 100,  
D4/105–113, 137; D28/9, 10, 13, 21, 23,  
D28/24, 25, 26, 28, 29, 30, 35  
CPC ..... A46B 9/023; A46B 2200/102; A46B  
2200/104; A46B 11/00; A46B 11/0037  
See application file for complete search history.

(56) **References Cited**

**U.S. PATENT DOCUMENTS**

2,778,043	A	*	1/1957	Arf	.....	A47L 23/06 15/207.2
D196,227	S	*	9/1963	Polatchek	.....	D4/102
D262,257	S	*	12/1981	Sohn	.....	D4/102
D270,380	S	*	8/1983	Armstrong	.....	D28/13
D286,706	S	*	11/1986	McCloskey	.....	D4/102
D290,550	S	*	6/1987	Tsuji	.....	D4/102
D300,185	S	*	3/1989	Suzuki	.....	D4/102
D313,890	S	*	1/1991	Machuron	.....	15/28
D352,828	S	*	11/1994	Chen	.....	D4/127
D542,036	S	*	5/2007	Rhoades	.....	D4/138
D549,964	S		9/2007	Roth et al.		
D679,502	S		4/2013	Itano et al.		
D683,139	S		5/2013	Chikos et al.		
D715,996	S	*	10/2014	Dyson	.....	A45D 20/12 D28/13

D730,576	S	*	5/2015	Gammack	.....	D28/13
D731,117	S	*	6/2015	Bates	.....	D28/13
D757,362	S	*	5/2016	Dyson	.....	D28/13
D782,733	S	*	3/2017	Smith	.....	D28/13
D791,407	S	*	7/2017	Smith	.....	D28/13
D893,097	S	*	8/2020	Huang	.....	D28/13
D898,281	S	*	10/2020	Yang	.....	D28/13
D912,314	S	*	3/2021	Shin	.....	D28/13
D932,778	S	*	10/2021	Jing	.....	D4/102
D933,292	S	*	10/2021	Yang	.....	D28/13
D934,496	S	*	10/2021	Huang	.....	D28/13
D955,042	S	*	6/2022	Shin	.....	D28/13
D955,636	S	*	6/2022	Zou	.....	D28/13

**FOREIGN PATENT DOCUMENTS**

CN	307155663	*	3/2022
CN	307196817	*	3/2022

\* cited by examiner

*Primary Examiner* — Rebekah A Caruso

(74) *Attorney, Agent, or Firm* — Rumit Ranjit Kanakia

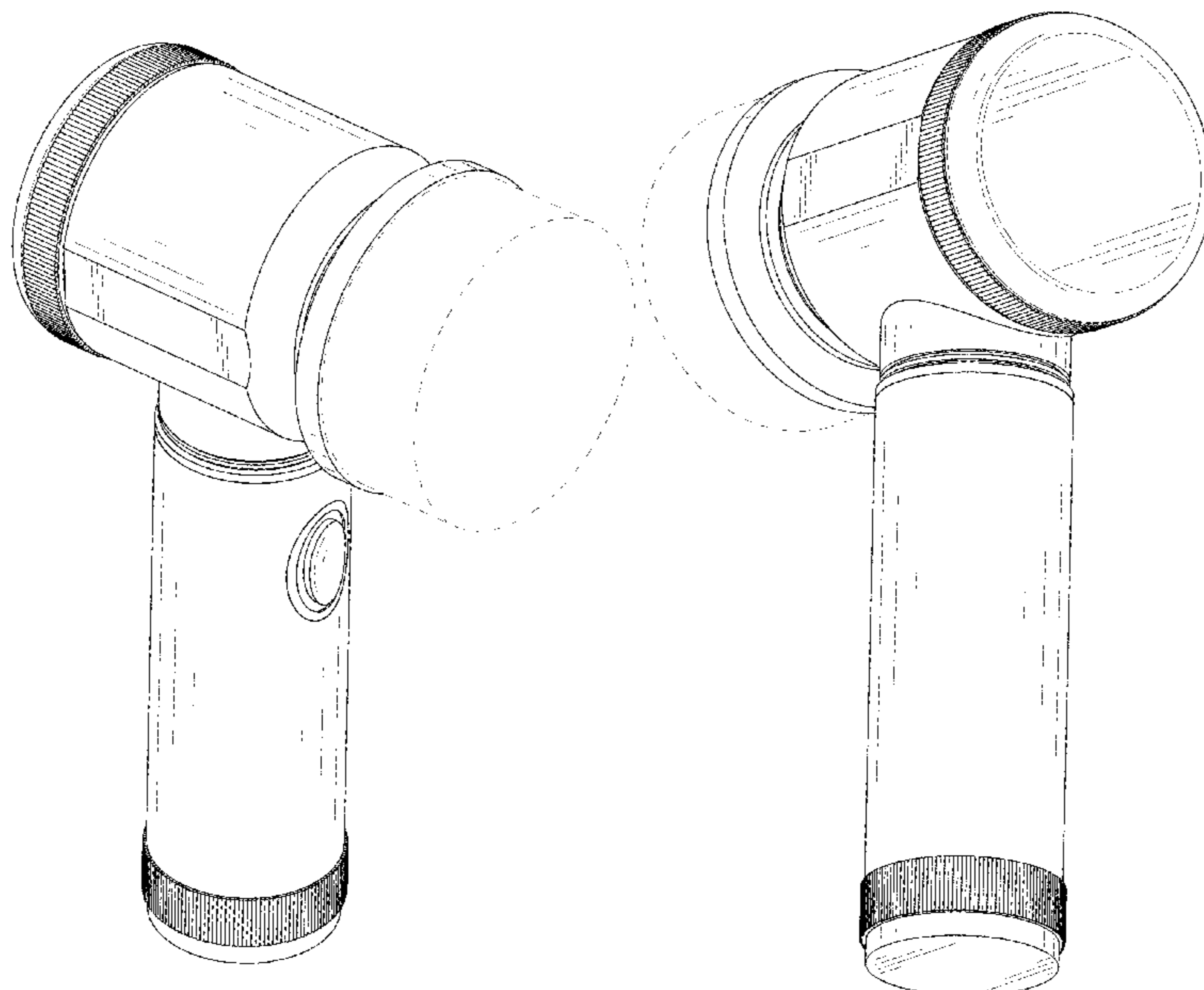
(57) **CLAIM**

The ornamental design for an electric brush, as shown and described.

**DESCRIPTION**

FIG. 1 is a first perspective view of an electric brush showing my new design;  
FIG. 2 is a second perspective view thereof;  
FIG. 3 is a front view thereof;  
FIG. 4 is a back view thereof;  
FIG. 5 is a left side view thereof;  
FIG. 6 is a right side view thereof;  
FIG. 7 is a top view thereof; and,  
FIG. 8 is a bottom view thereof.  
The broken lines shown in the drawings depict portions of the electric brush that form no part of the claimed design.

**1 Claim, 8 Drawing Sheets**



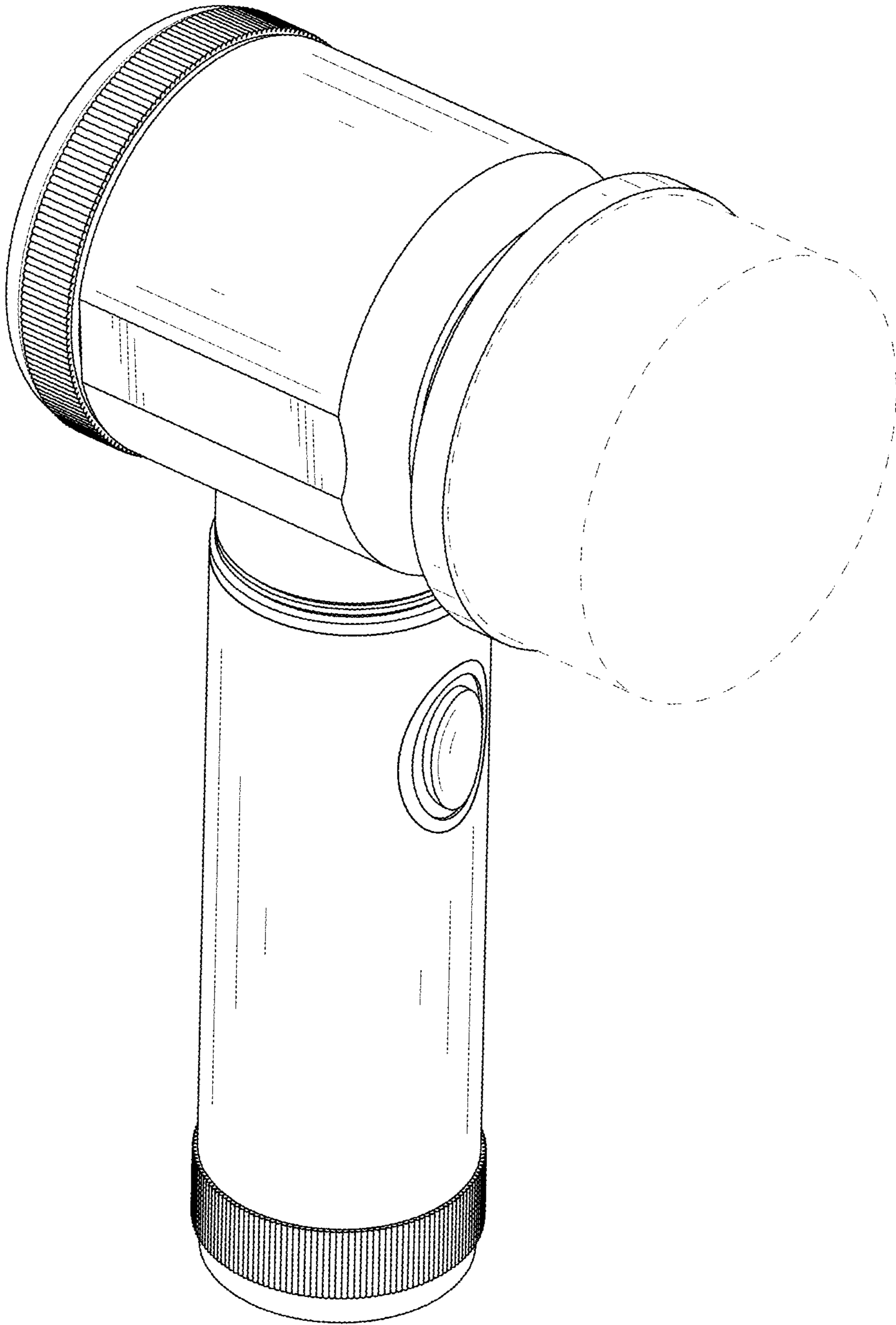


FIG. 1

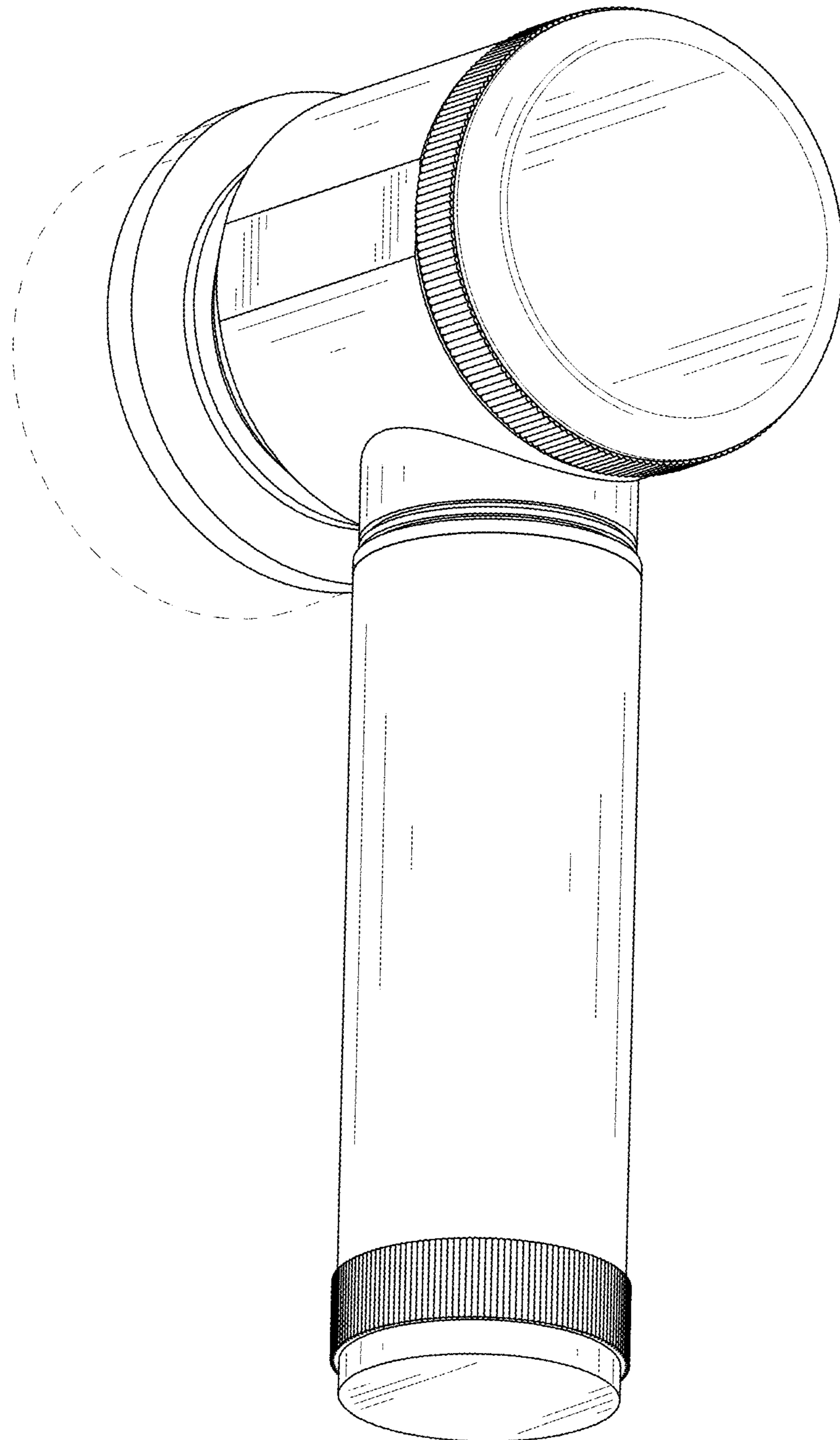


FIG. 2

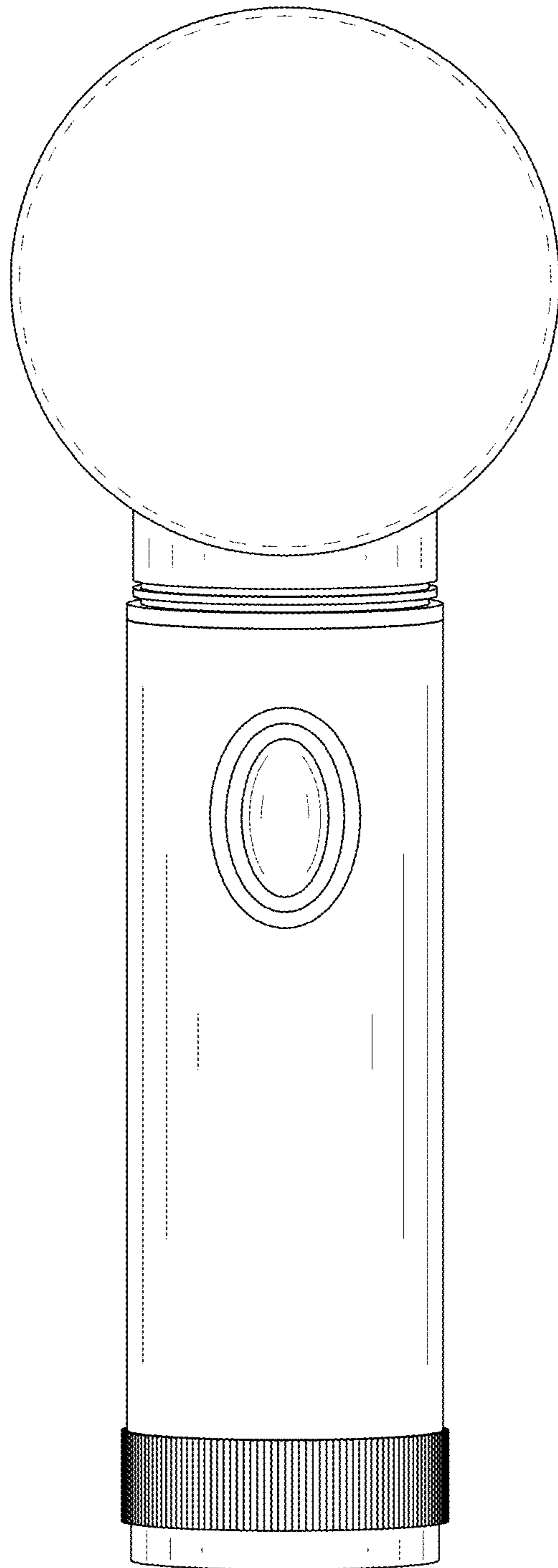


FIG. 3

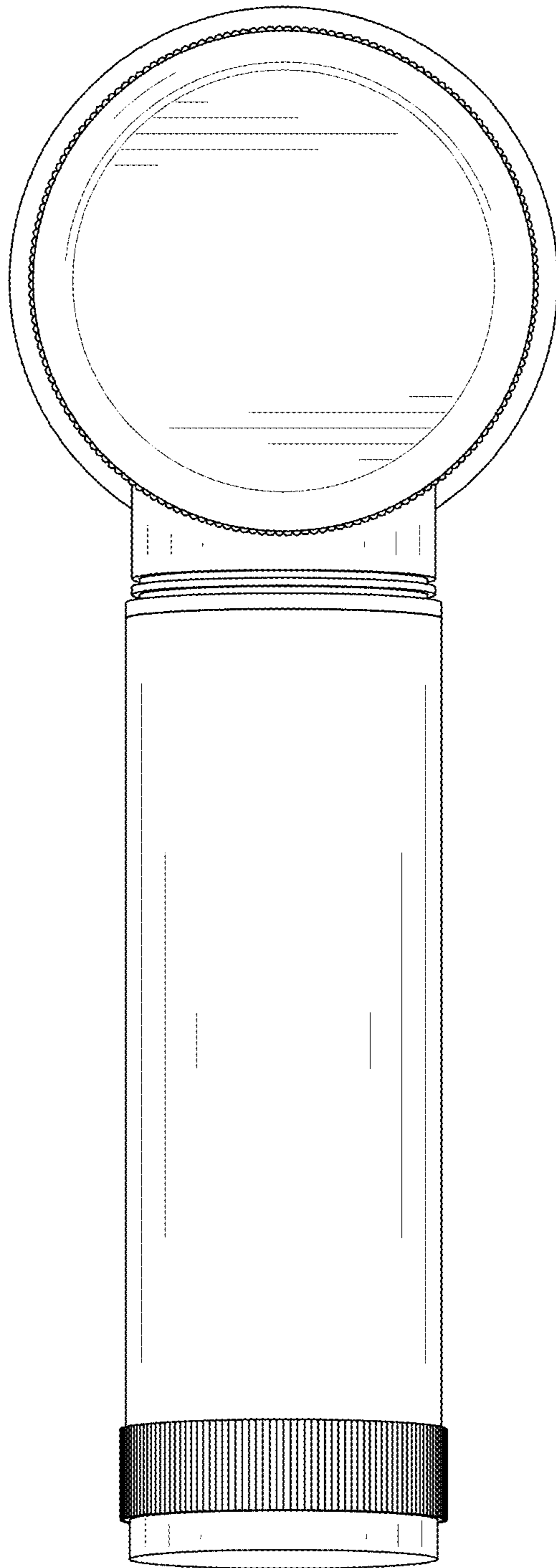


FIG. 4

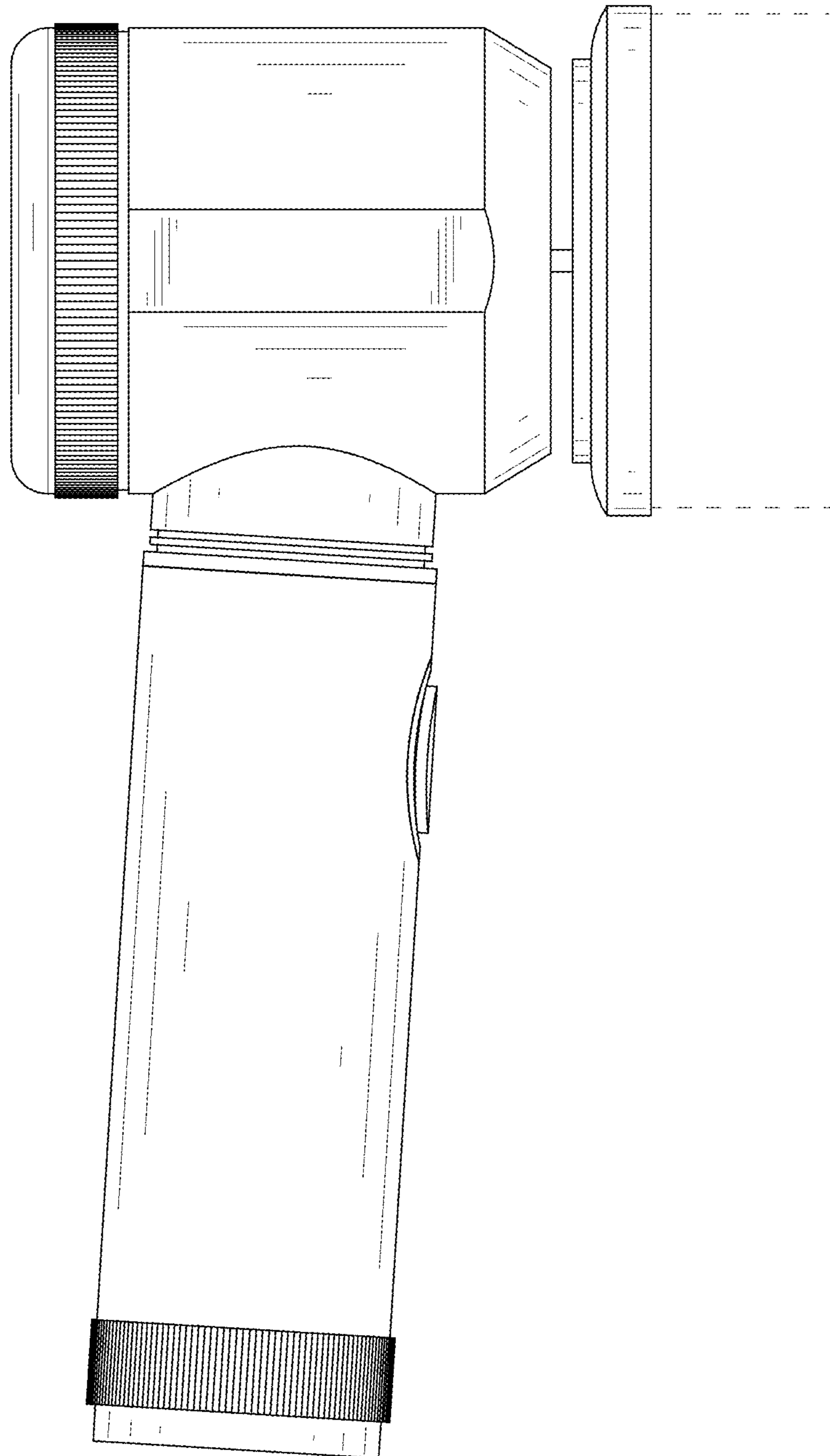


FIG. 5

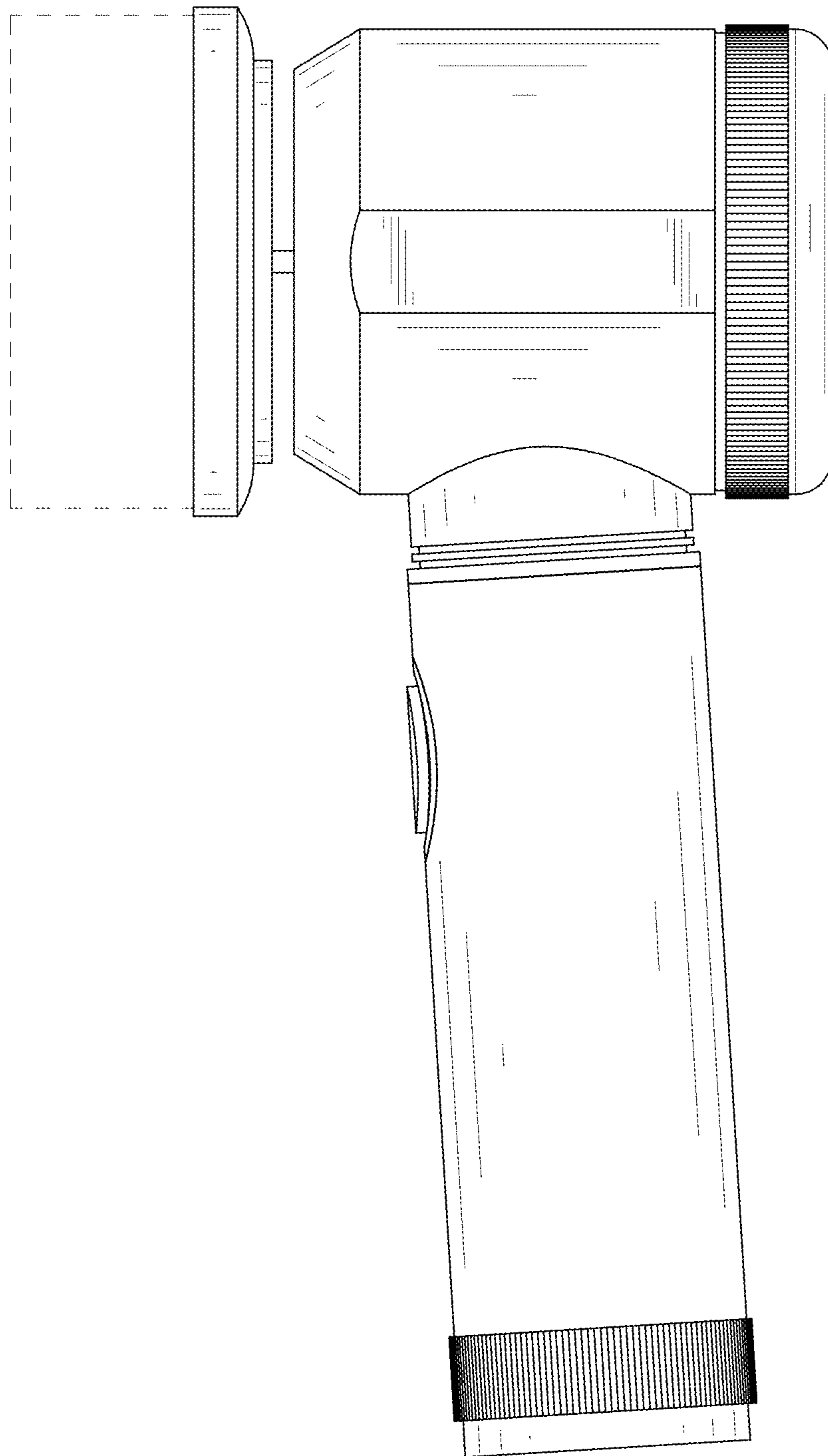


FIG. 6

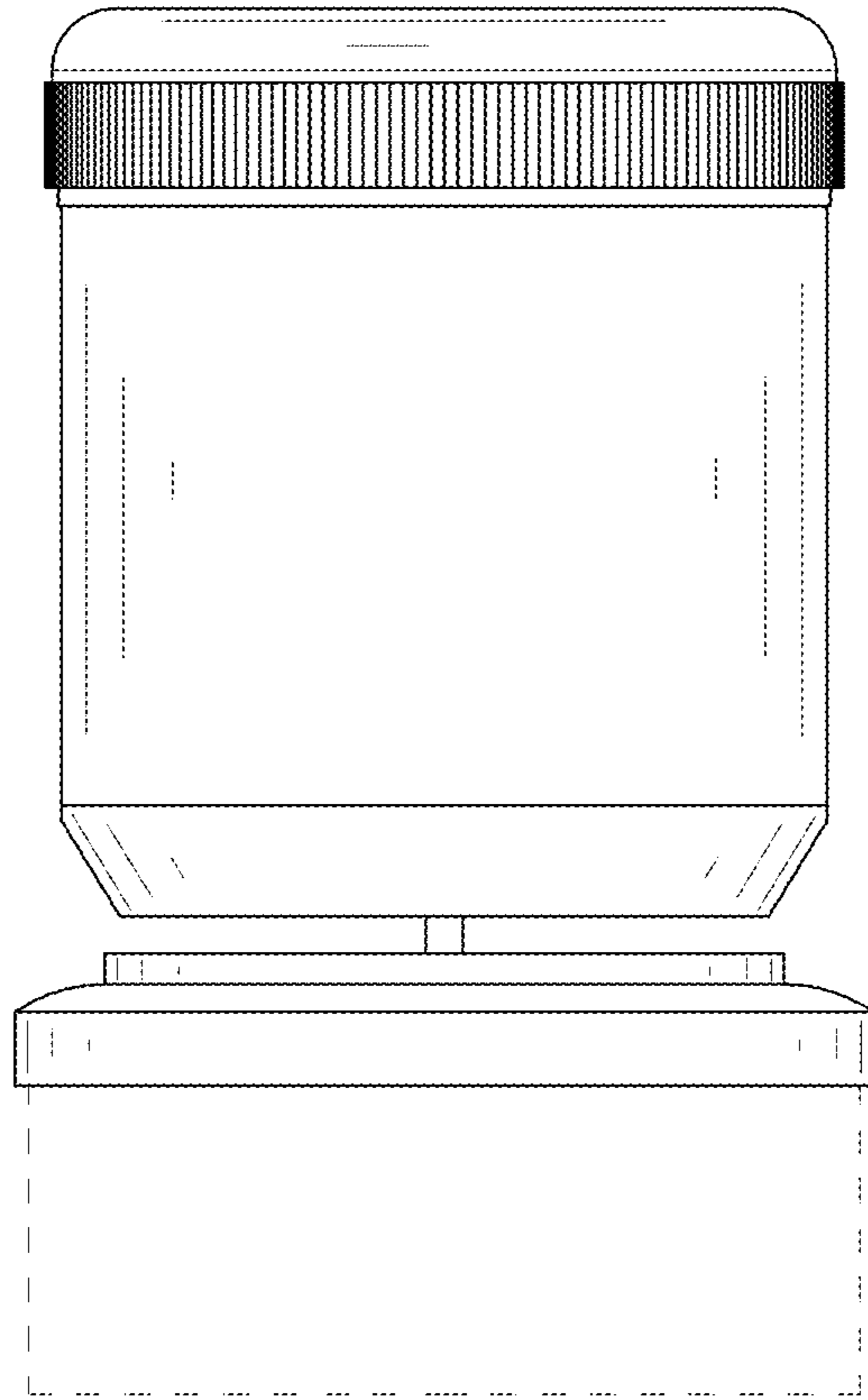


FIG. 7



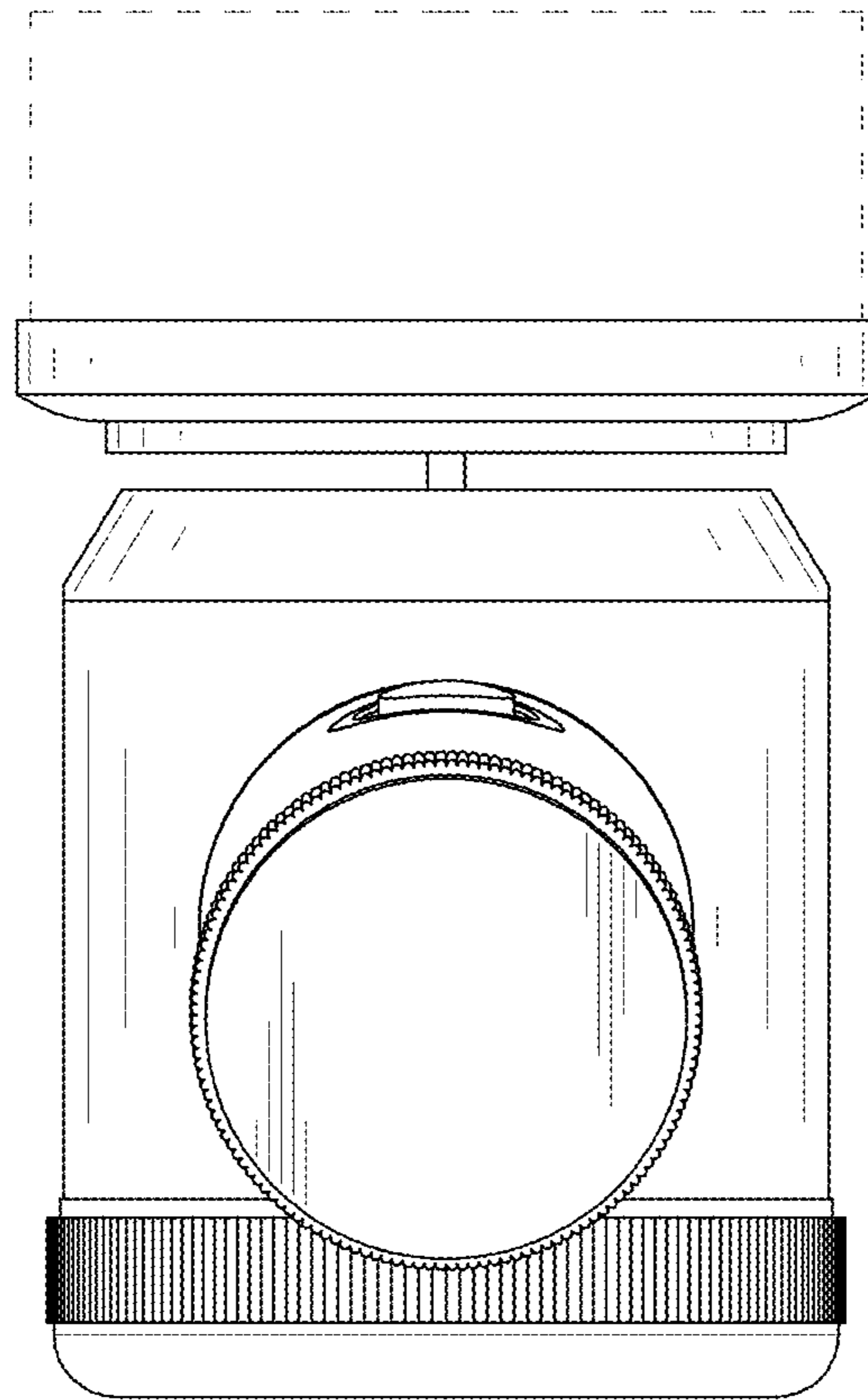


FIG. 8