

US00D966712S

(12) **United States Design Patent** (10) **Patent No.:** **US D966,712 S**  
**Vaccarello** (45) **Date of Patent:** **\*\* Oct. 18, 2022**

(54) **CLASP**

(71) Applicant: **YVES SAINT LAURENT**, Paris (FR)

(72) Inventor: **Anthony Vaccarello**, Paris (FR)

(73) Assignee: **Yves Saint Laurent**, Paris (FR)

(\*\*) Term: **15 Years**

(21) Appl. No.: **29/761,775**

(22) Filed: **Dec. 11, 2020**

(30) **Foreign Application Priority Data**

Jul. 17, 2020 (EM) ..... 008046023-0001

(51) **LOC (13) Cl.** ..... **03-01**

(52) **U.S. Cl.**  
USPC ..... **D3/318**

(58) **Field of Classification Search**

USPC ..... D3/215, 226-233, 243, 247, 249, 273,  
D3/276, 289-290, 293, 299, 301, 303,  
D3/902; D11/201, 215-216  
CPC .. A45C 1/024; A45C 3/06; A45C 3/08; A45C  
13/10; A63H 2027/1008; A44B 11/001;  
A44B 11/005; A44B 11/25

See application file for complete search history.

(56) **References Cited**

**U.S. PATENT DOCUMENTS**

D659,391 S \* 5/2012 Jobert ..... D3/243  
D675,022 S \* 1/2013 Saavedra ..... D3/322  
D698,550 S \* 2/2014 Louboutin ..... D3/318  
D715,552 S \* 10/2014 Kuster ..... D3/318  
D756,636 S \* 5/2016 Hannon ..... D3/243  
D774,756 S \* 12/2016 Sassi ..... D3/243  
D901,170 S \* 11/2020 Sassi ..... D3/243

(Continued)

**FOREIGN PATENT DOCUMENTS**

CN 307198107 \* 3/2022

**OTHER PUBLICATIONS**

Saint Laurent unveils their new bag Satchel Maillon, article by Amie Bawa for Glass Magazine, posted Feb. 5, 2021, theglassmagazine.com [online], [site visited Jun. 9, 2022], Available at URL: https://www.theglassmagazine.com/saint-laurent-unveils-their-new-bag-satchel-maillon/ (Year: 2021).\*

*Primary Examiner* — Michelle E. Wilson

*Assistant Examiner* — Caitlin A Laverty

(74) *Attorney, Agent, or Firm* — Rothwell, Figg, Ernst & Manbeck, P.C.

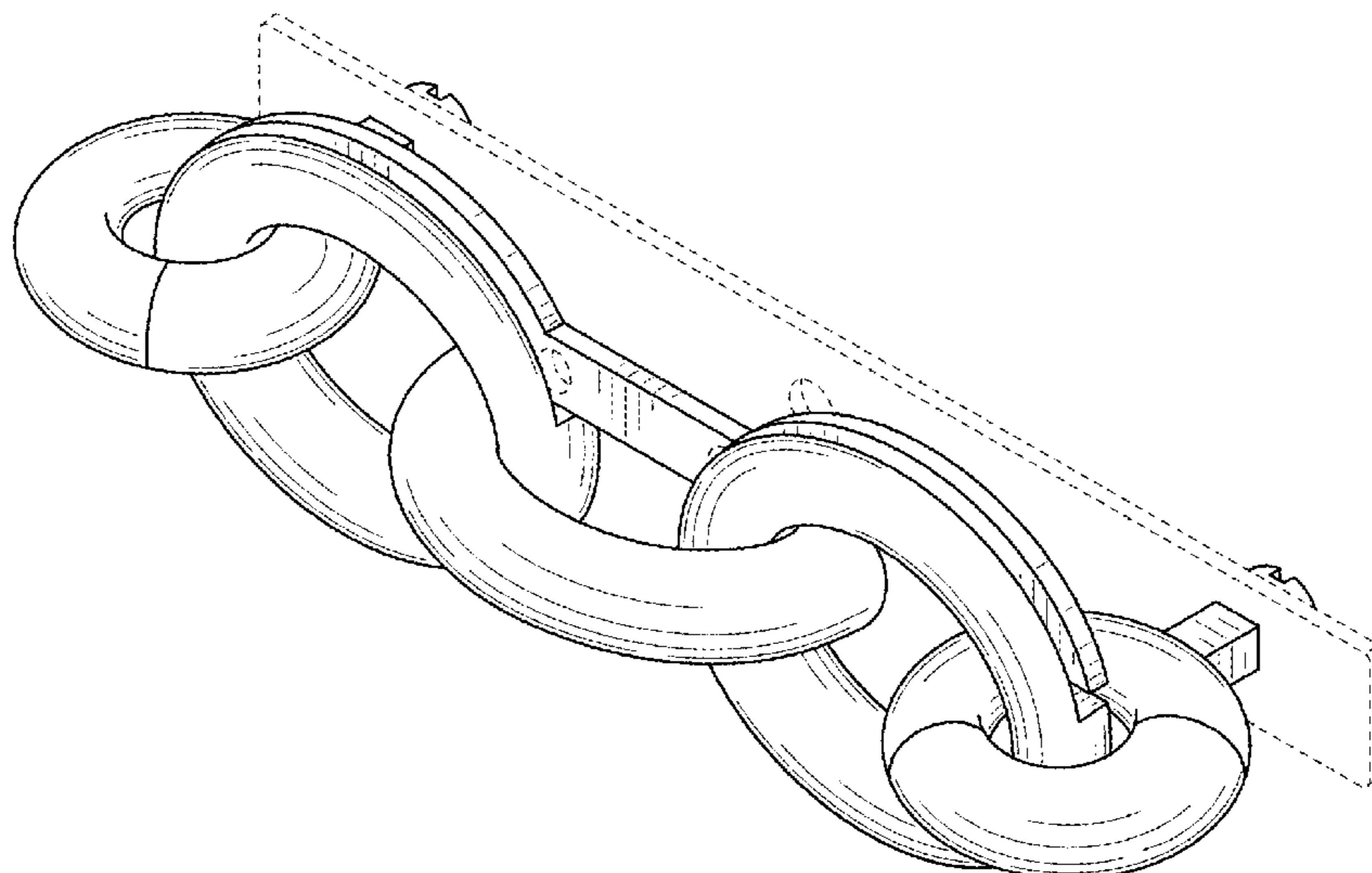
(57) **CLAIM**

The ornamental design for a clasp, as shown and described.

**DESCRIPTION**

FIG. 1 is a front left perspective view of the clasp in a handbag environment and in a closed position; FIG. 2 is a front left perspective view of the clasp in the handbag environment and in an alternate, open position; FIG. 3 is a front view of the clasp removed from the handbag environment and in the closed position; FIG. 4 is a rear view of the clasp removed from the handbag environment and in the closed position; FIG. 5 is a top view of the clasp removed from the handbag environment and in the closed position; FIG. 6 is a bottom view of the clasp removed from the handbag environment and in the closed position; FIG. 7 is a right-side view of the clasp removed from the handbag environment and in the closed position; FIG. 8 is a left-side view of the clasp removed from the handbag environment and in the closed position; and, FIG. 9 is a right front perspective view of the clasp removed from the handbag environment and in the closed position. The portions of the handbag and of the clasp shown in broken lines form no part of the claimed design.

**1 Claim, 6 Drawing Sheets**



(56)

**References Cited**

U.S. PATENT DOCUMENTS

D944,526 S \* 3/2022 Colin ..... D3/318  
D953,037 S \* 5/2022 Oymak ..... A45C 3/06  
D3/318

\* cited by examiner

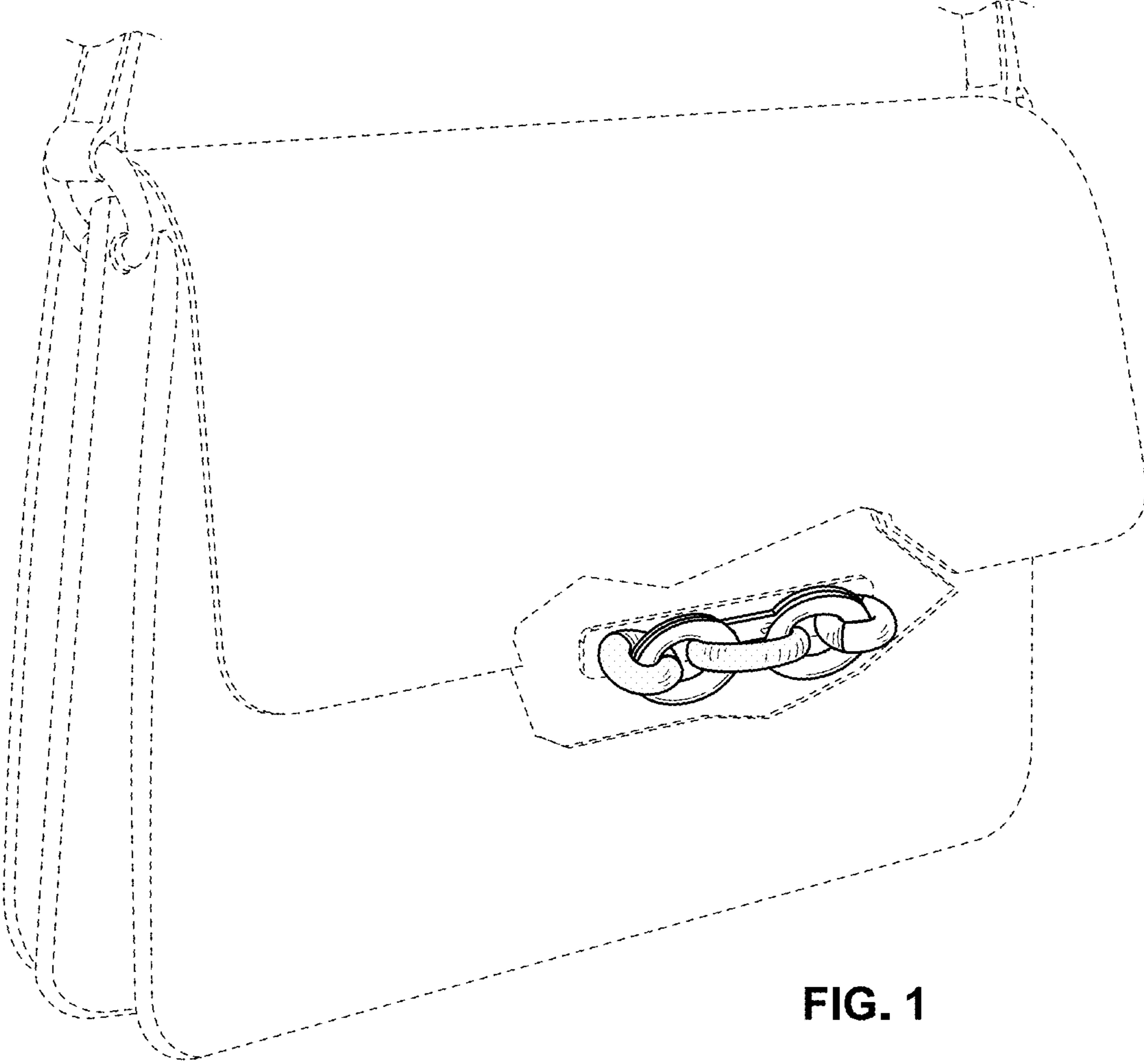


FIG. 1



FIG. 2

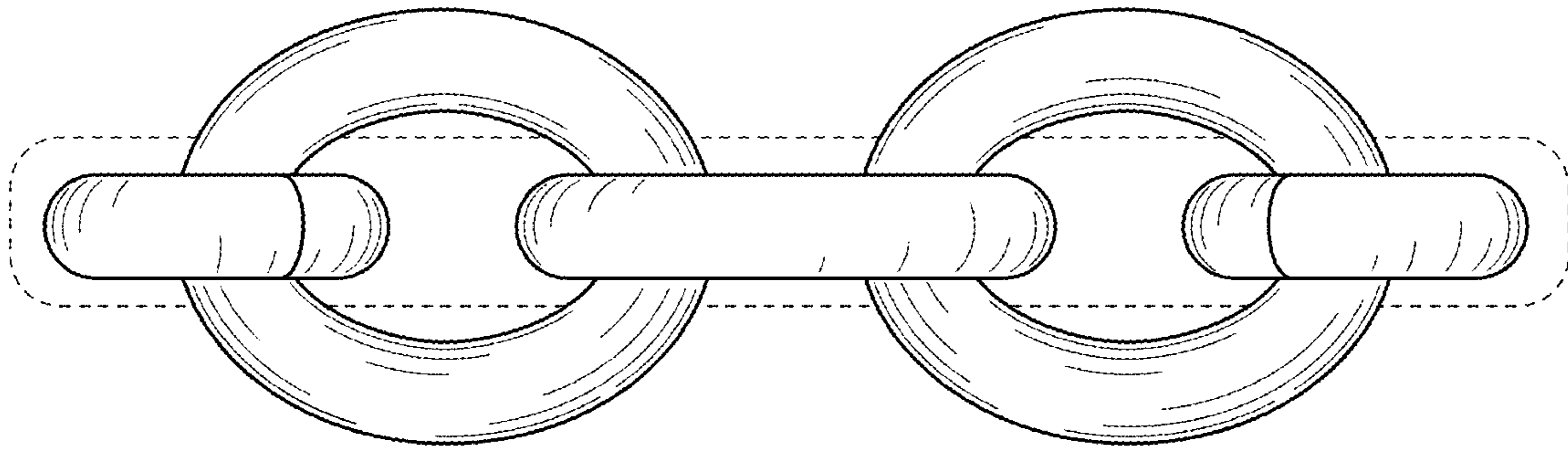


FIG. 3

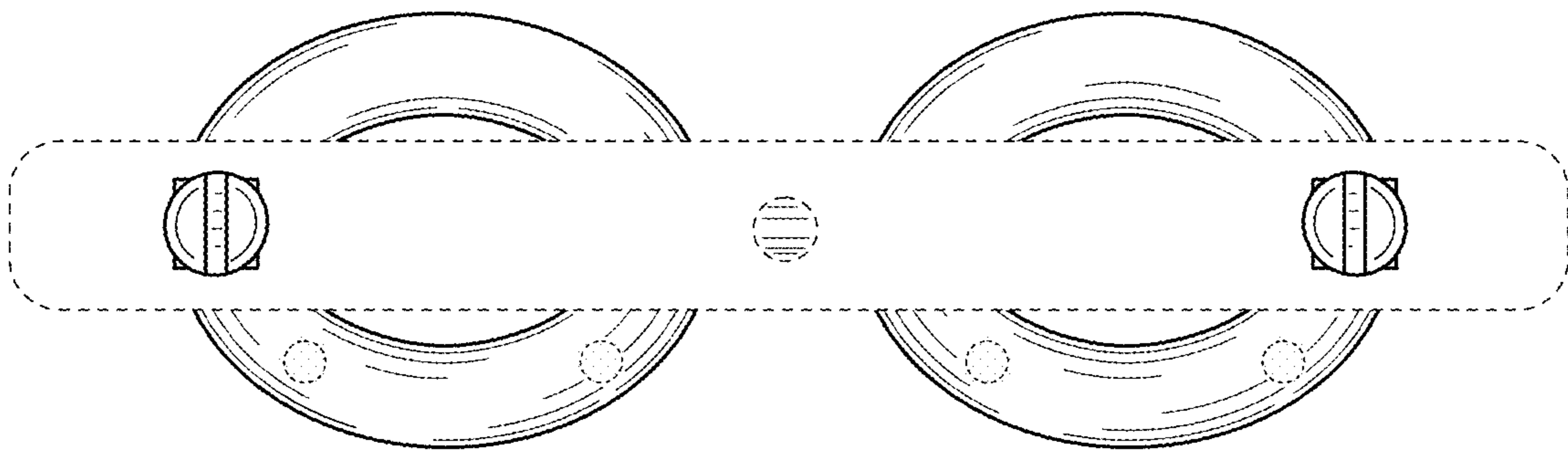


FIG. 4

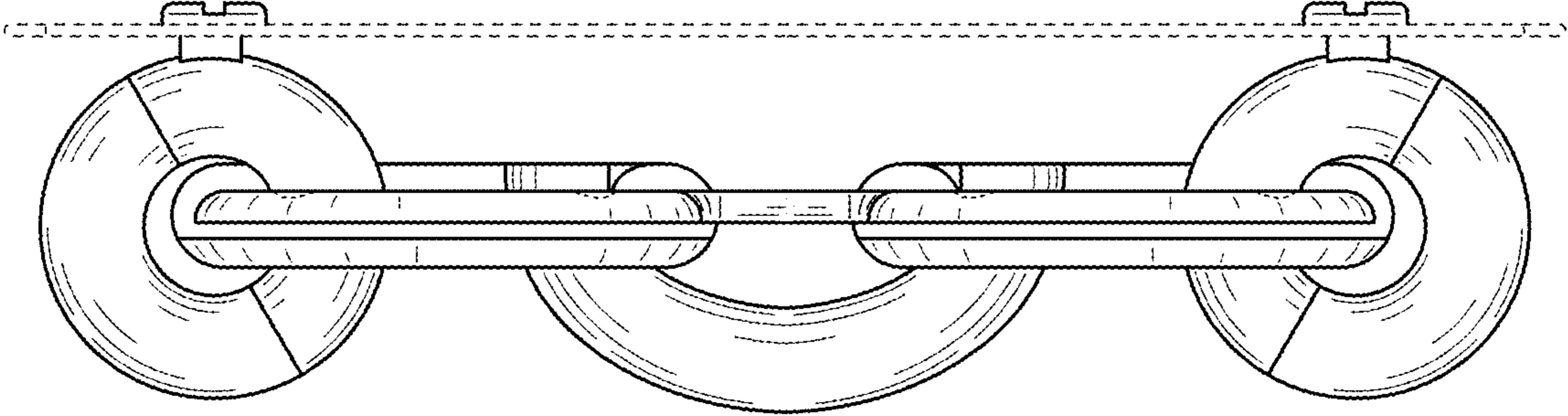


FIG. 5

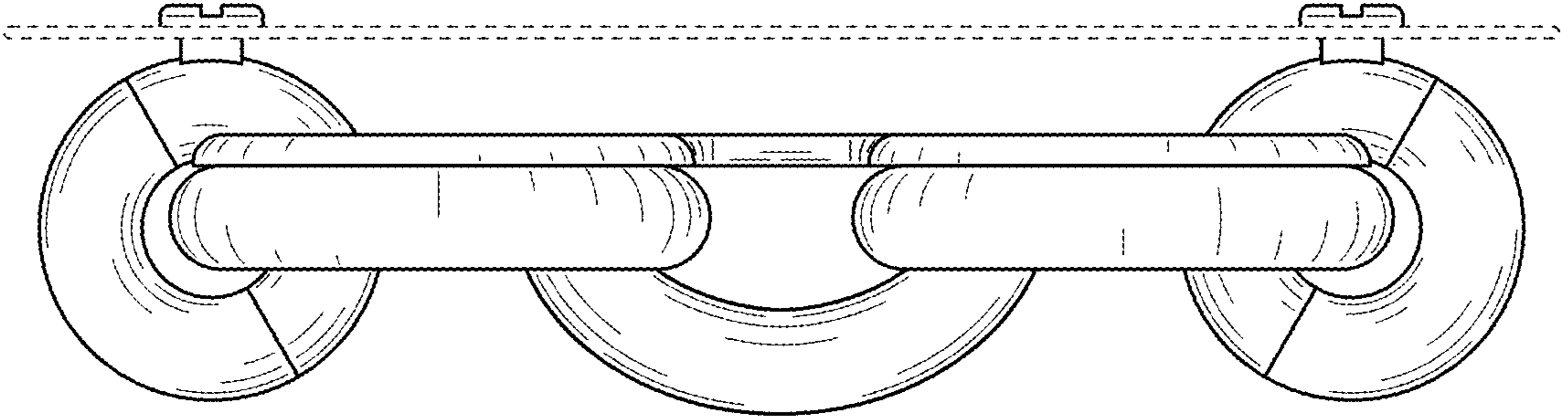


FIG. 6

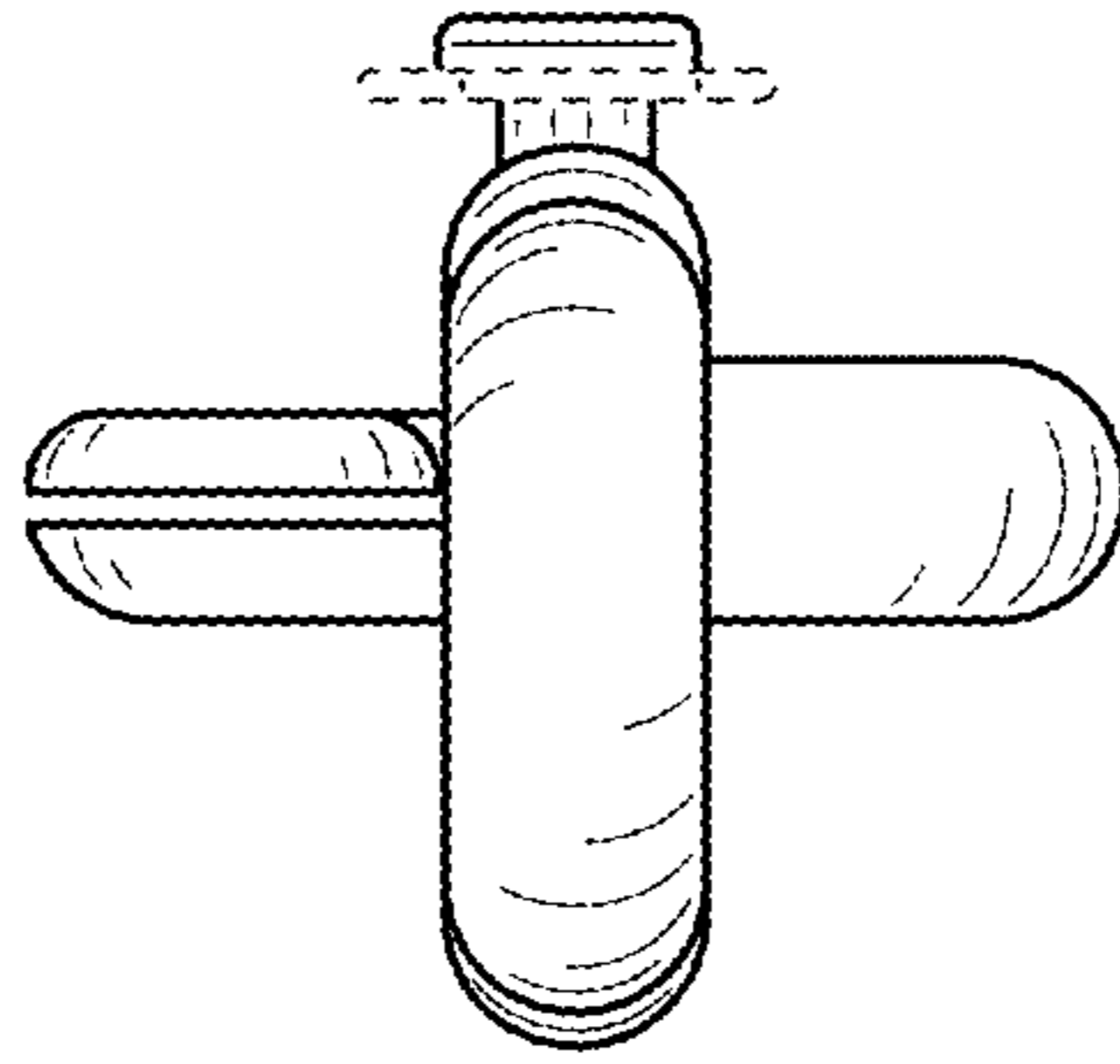


FIG. 7

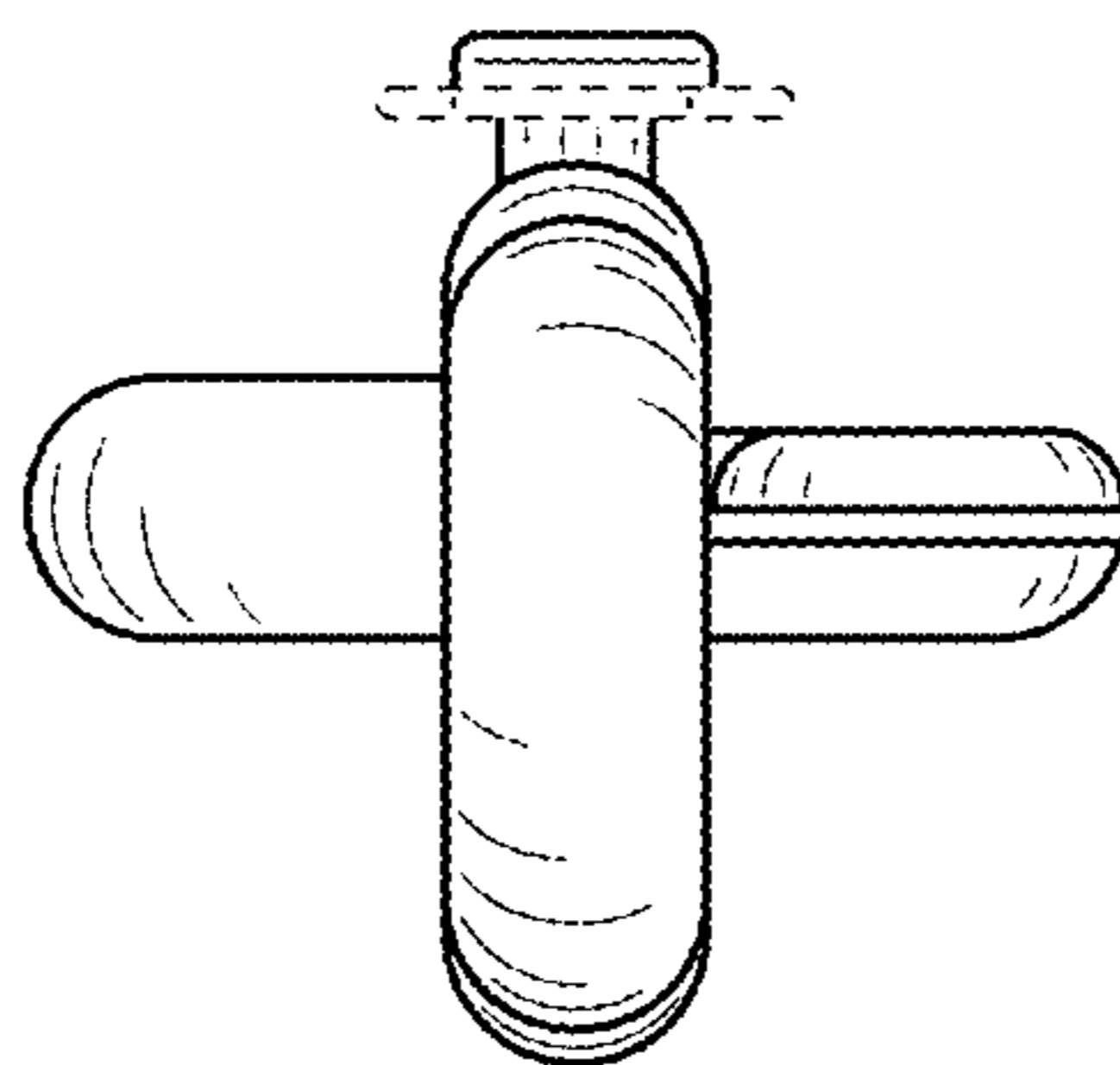


FIG. 8

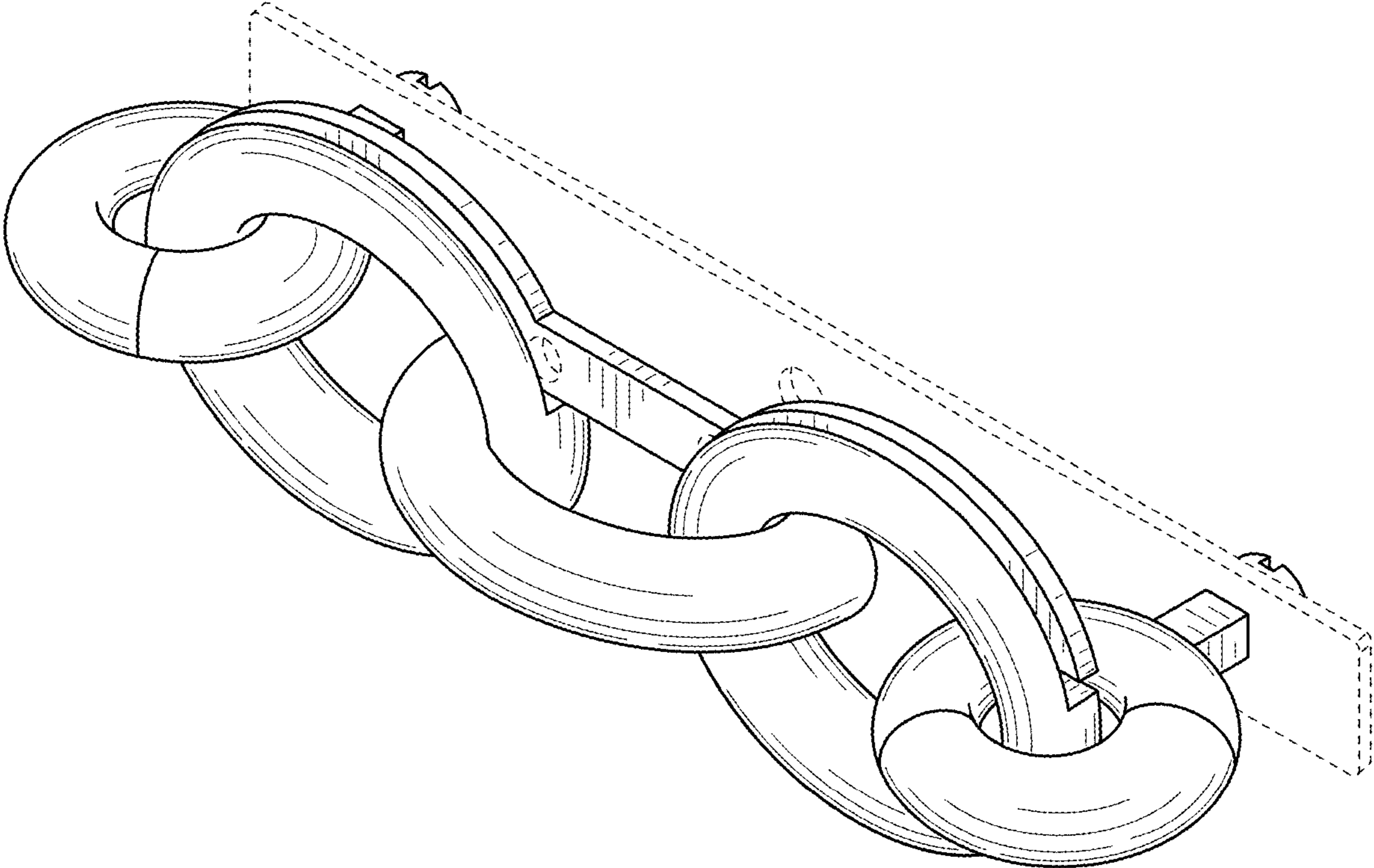


FIG. 9