



US00D966709S

(12) **United States Design Patent**
Ma et al.

(10) **Patent No.:** **US D966,709 S**
(45) **Date of Patent:** **** Oct. 18, 2022**

(54) **EARPHONE CASE**

(71) Applicant: **Anker Innovations Technology Co., Ltd.**, Changsha (CN)

(72) Inventors: **Qiang Ma**, Shenzhen (CN); **Wei Zheng**, Shenzhen (CN)

(73) Assignee: **Anker Innovations Technology Co., Ltd.**, Changsha (CN)

(**) Term: **15 Years**

(21) Appl. No.: **29/750,980**

(22) Filed: **Sep. 17, 2020**

(30) **Foreign Application Priority Data**

Mar. 20, 2020 (CN) 202030096337.3

(51) **LOC (13) Cl.** **03-01**

(52) **U.S. Cl.**
USPC **D3/298**

(58) **Field of Classification Search**
USPC D3/201, 218, 273, 294, 295, 298
CPC . H04R 1/025; H04R 2420/07; H04R 2460/17
See application file for complete search history.

(56) **References Cited**

U.S. PATENT DOCUMENTS

D624,316 S * 9/2010 Ferber D3/294
D730,581 S * 5/2015 Hwang D28/83

D731,793 S * 6/2015 Houghton D3/294
D735,476 S * 8/2015 Duvigneau D3/294
D851,913 S * 6/2019 Yu D3/201
D876,834 S * 3/2020 Breen D3/298

* cited by examiner

Primary Examiner — Kevin K Rudzinski

Assistant Examiner — Amber J Rabie

(74) *Attorney, Agent, or Firm* — Banner & Witcoff, Ltd.

(57) **CLAIM**

The ornamental design for an earphone case, as shown and described.

DESCRIPTION

FIG. 1 is a front top perspective view of an earphone case showing our new design in a closed state;

FIG. 2 is a rear bottom perspective view thereof;

FIG. 3 is a front view thereof;

FIG. 4 is a rear view thereof;

FIG. 5 is a left side view thereof;

FIG. 6 is a right side view thereof;

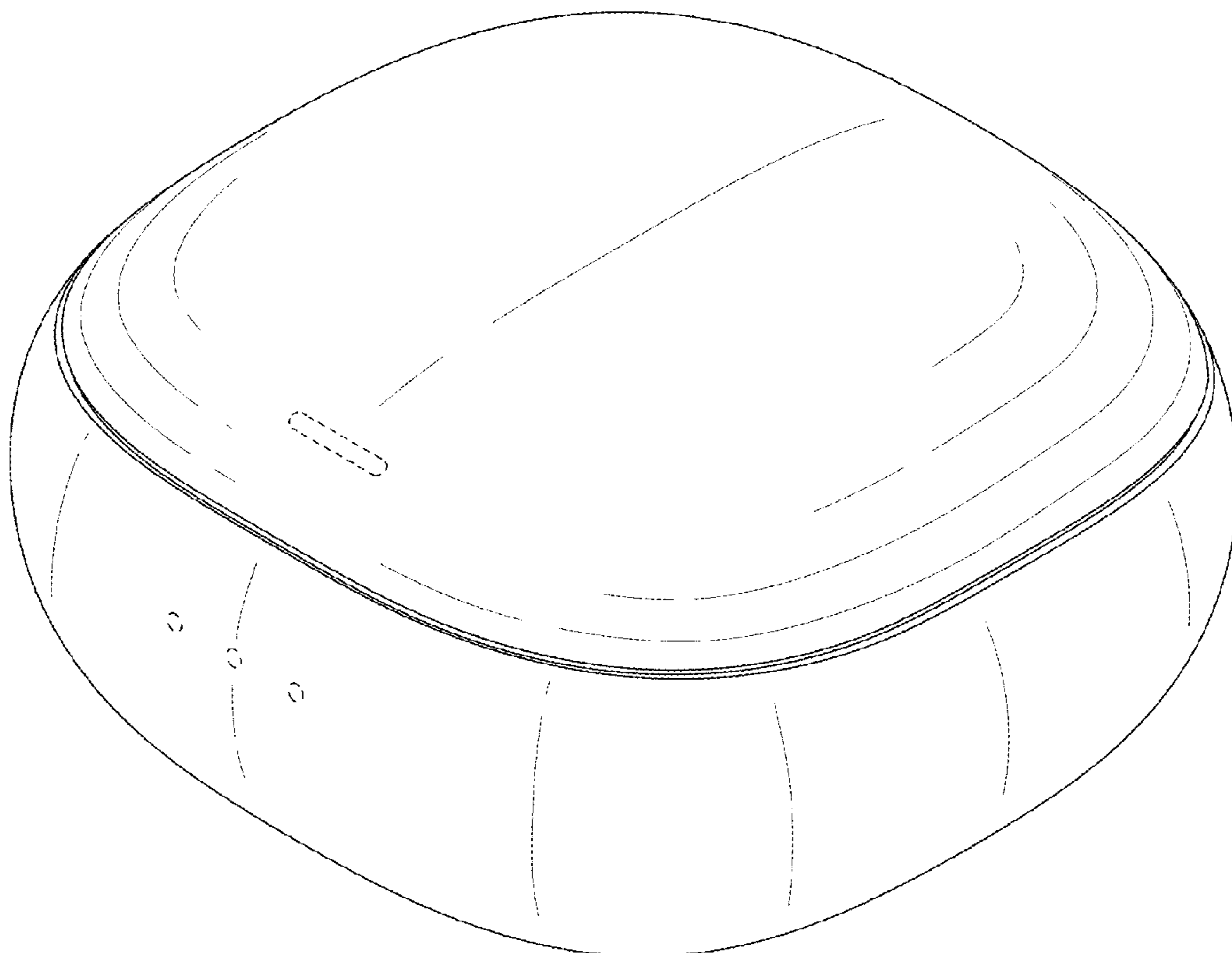
FIG. 7 is a top view thereof;

FIG. 8 is a bottom view thereof; and,

FIG. 9 is a front top perspective view of the earphone case of FIGS. 1-8 in an open state.

The even dash broken lines depicting portions of the earphone case form no part of the claimed design. The dot-dash broken line used in FIG. 9 represents the boundary of the claim and forms no part of the claimed design.

1 Claim, 9 Drawing Sheets



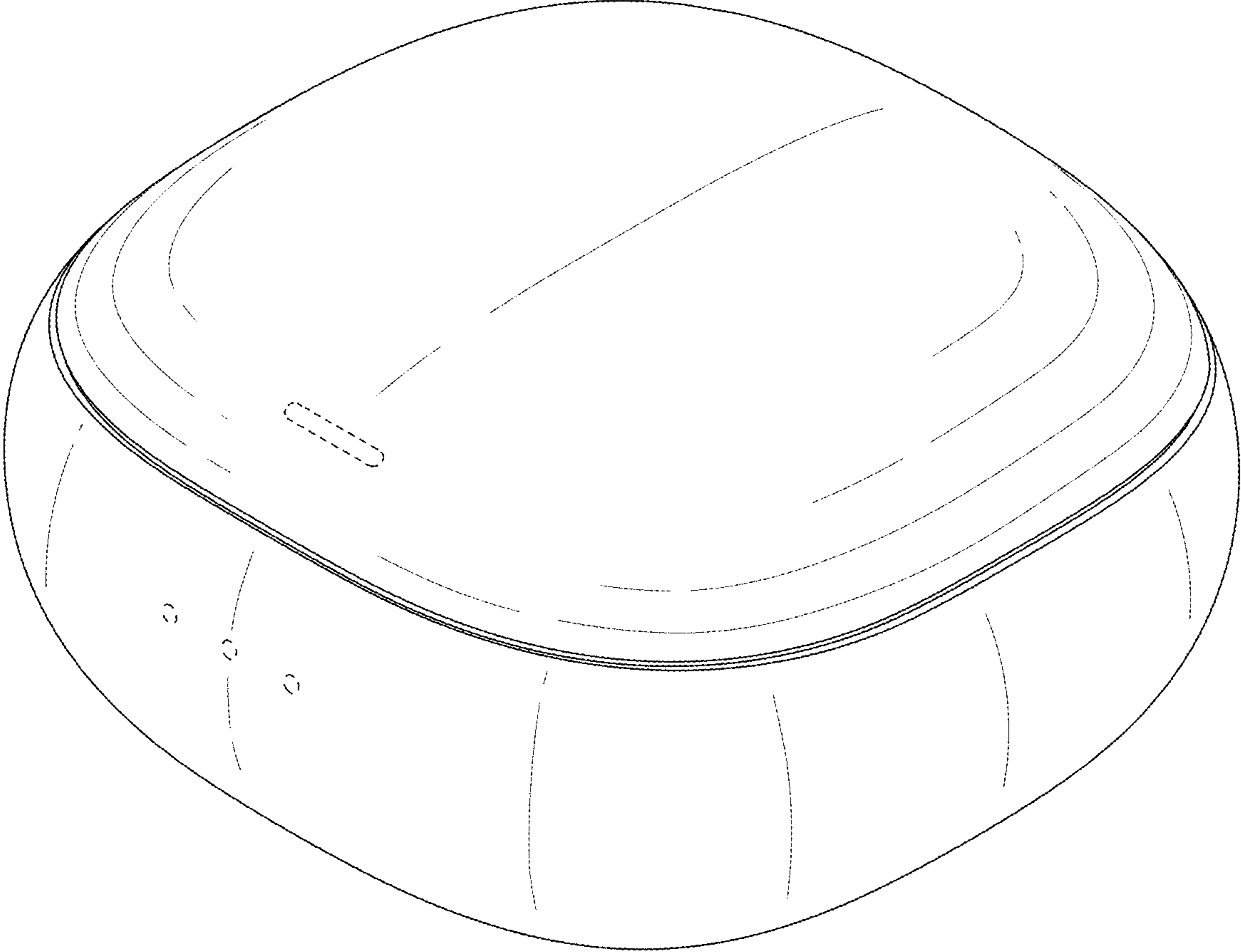


FIG. 1

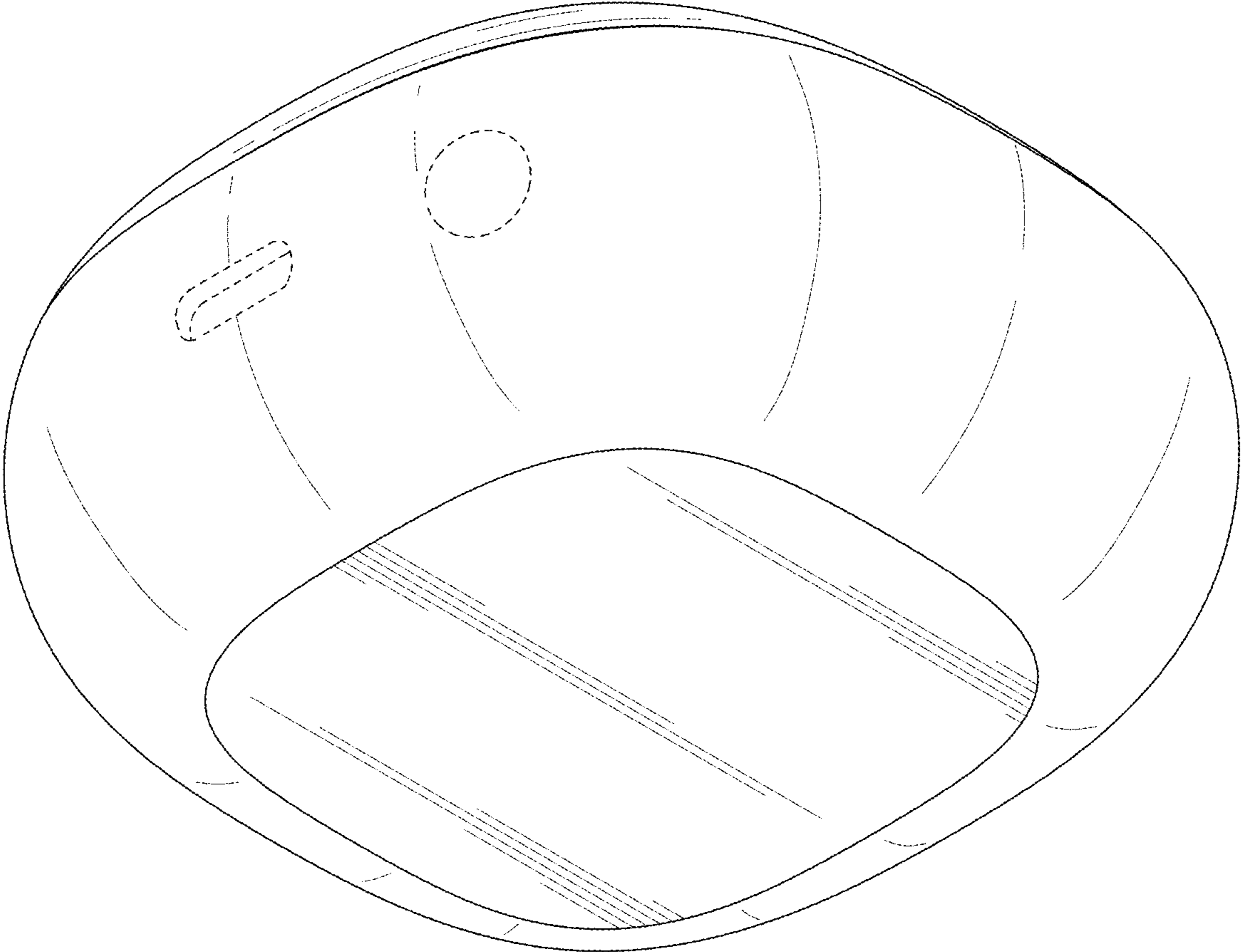


FIG. 2

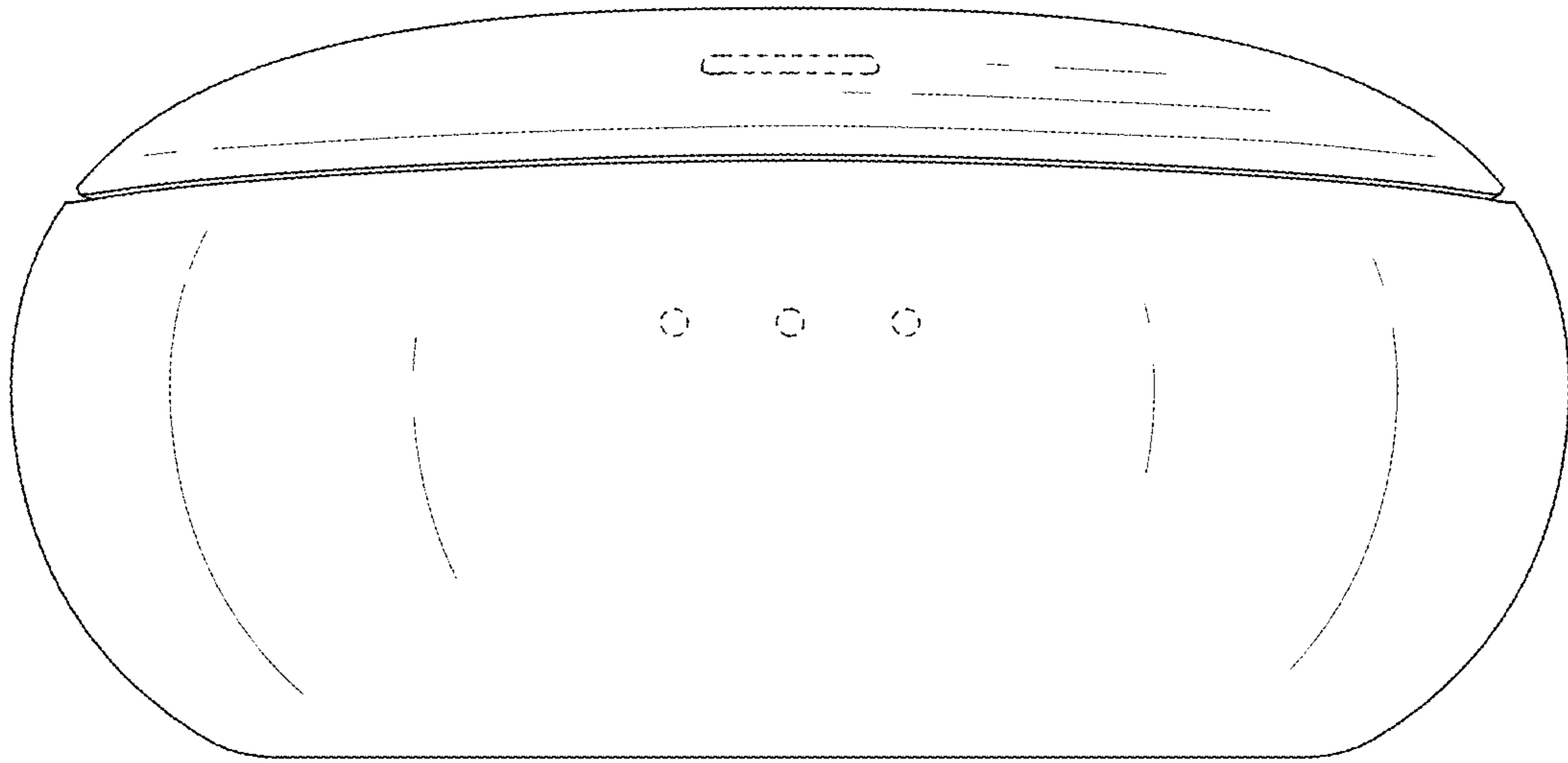


FIG. 3

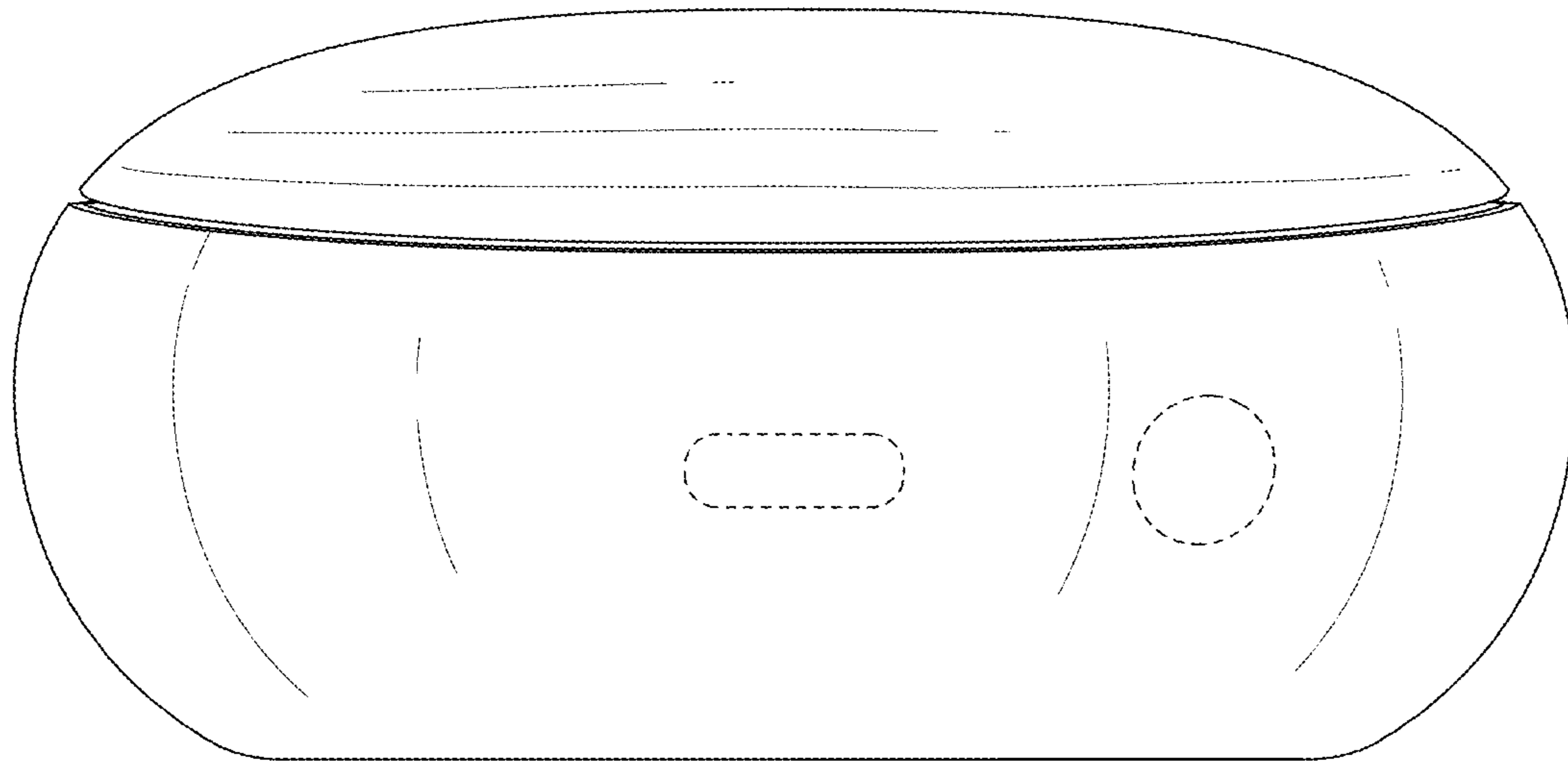


FIG. 4

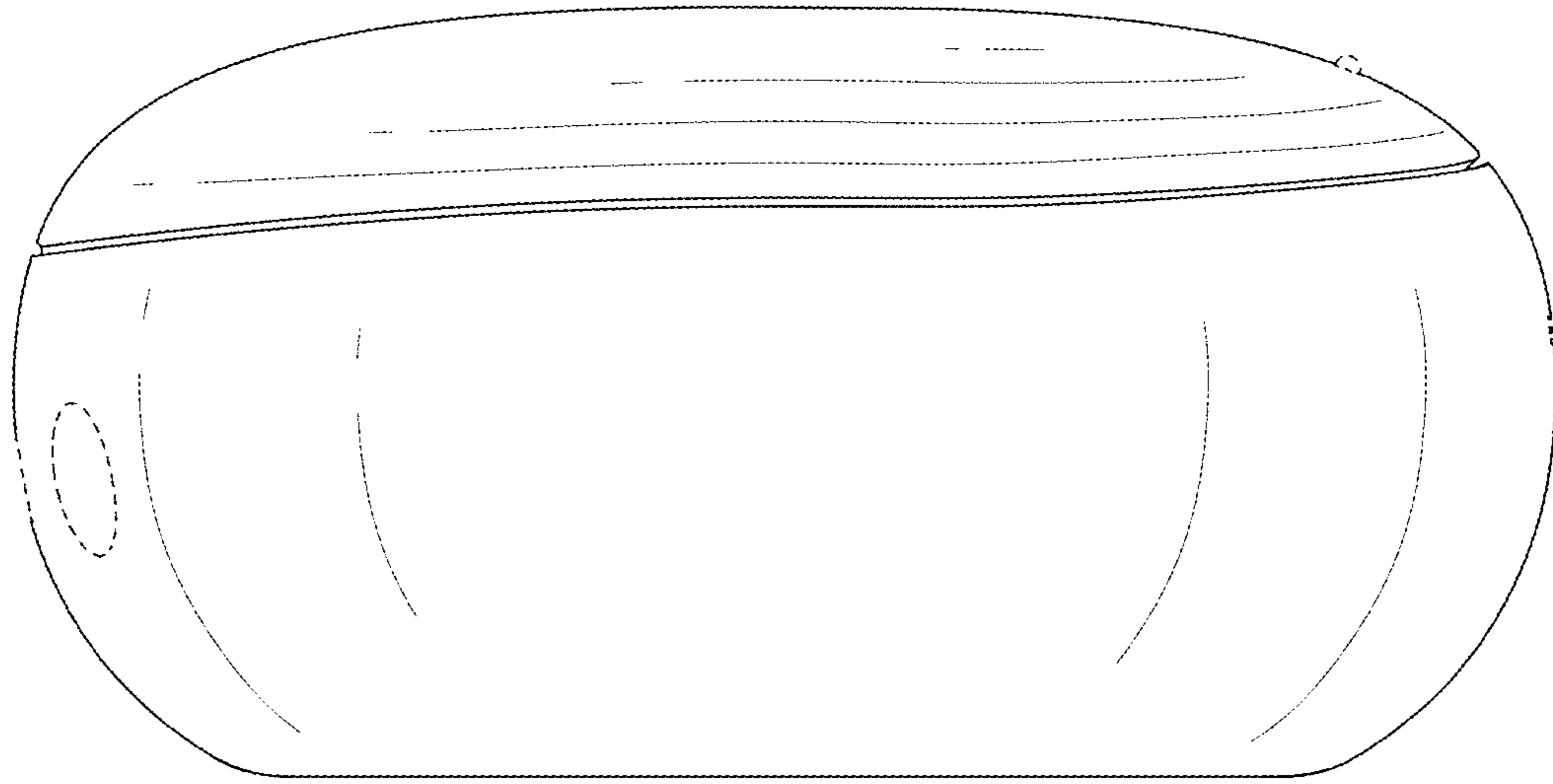


FIG. 5

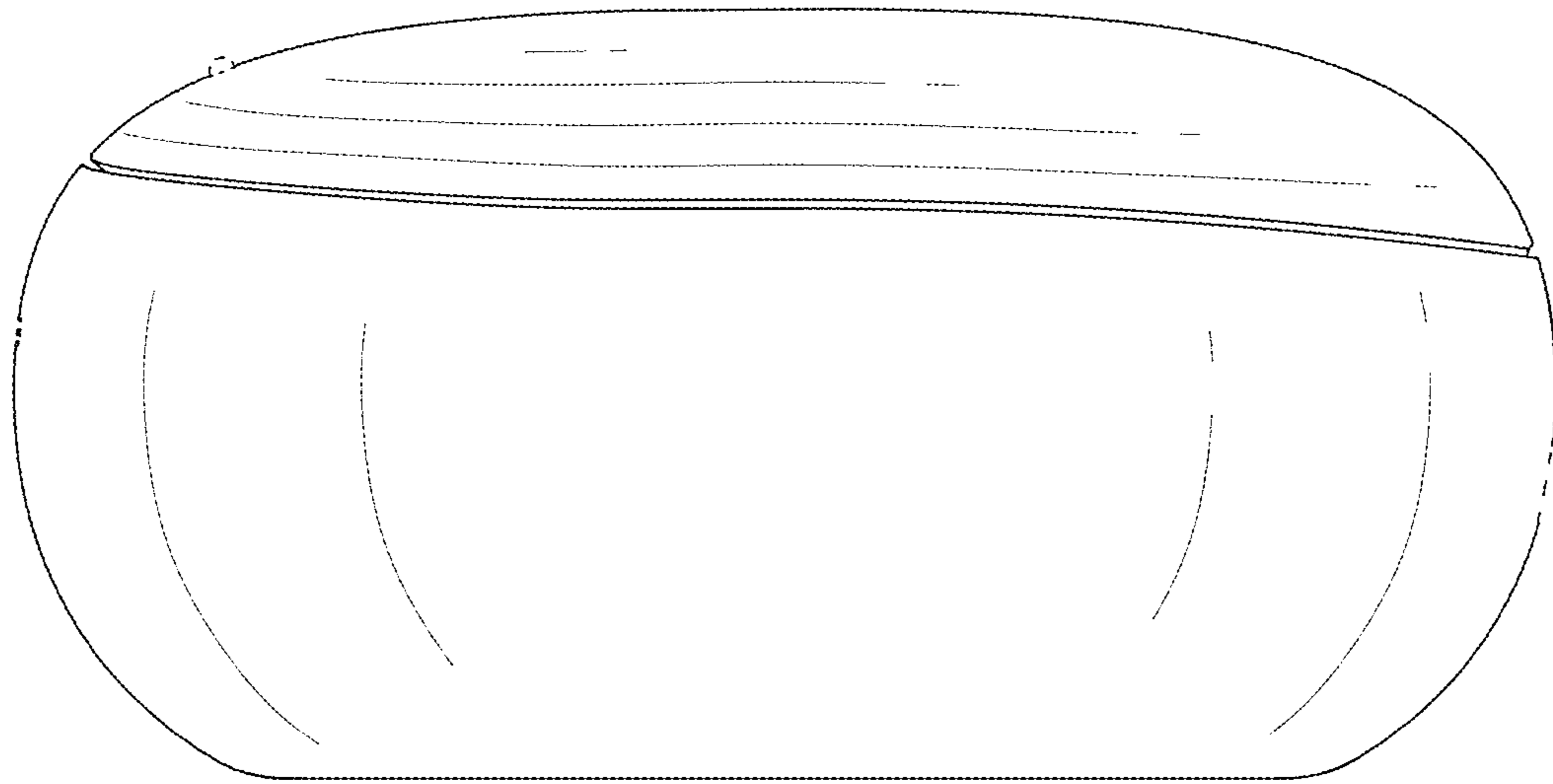


FIG. 6

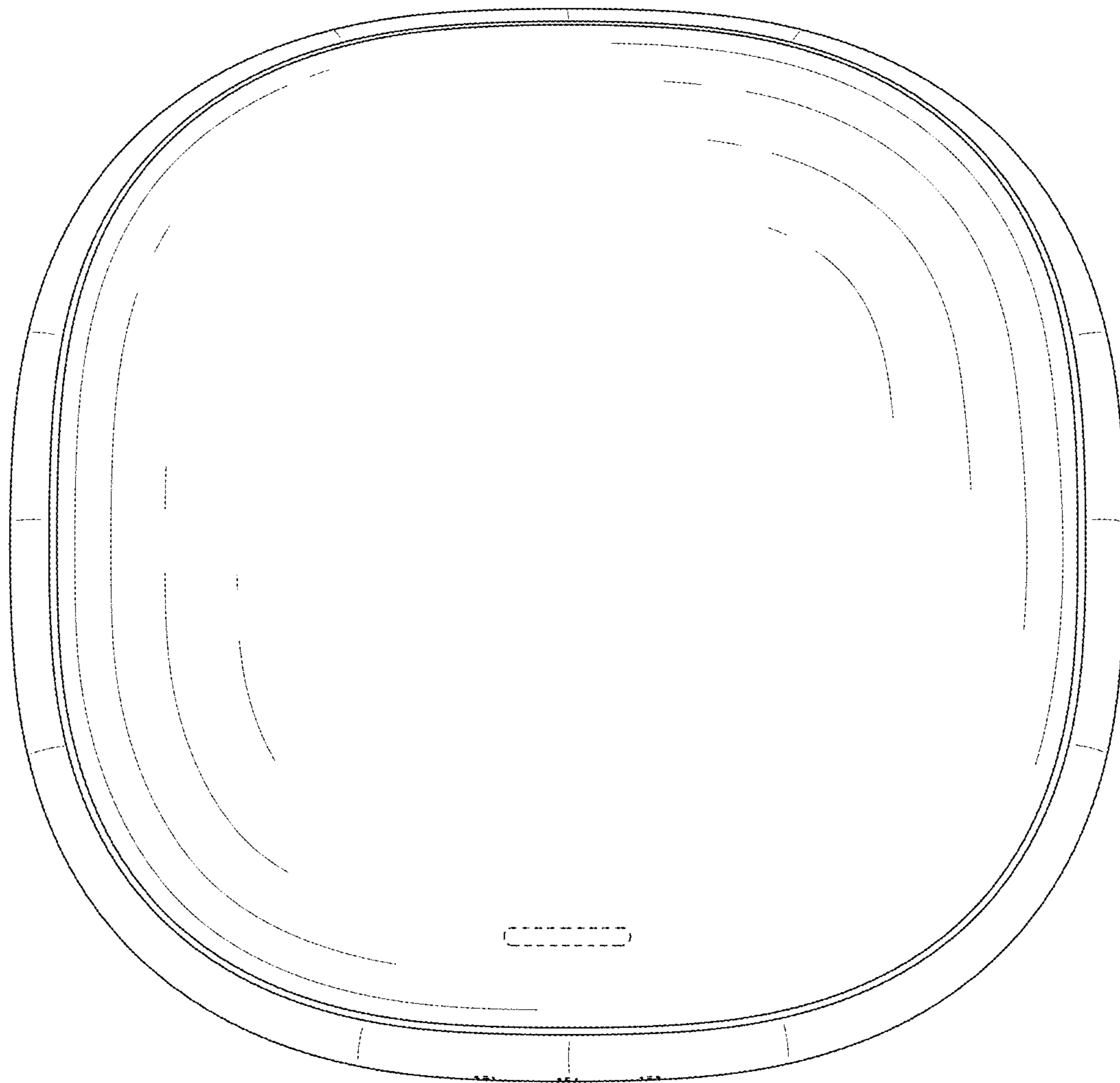


FIG. 7

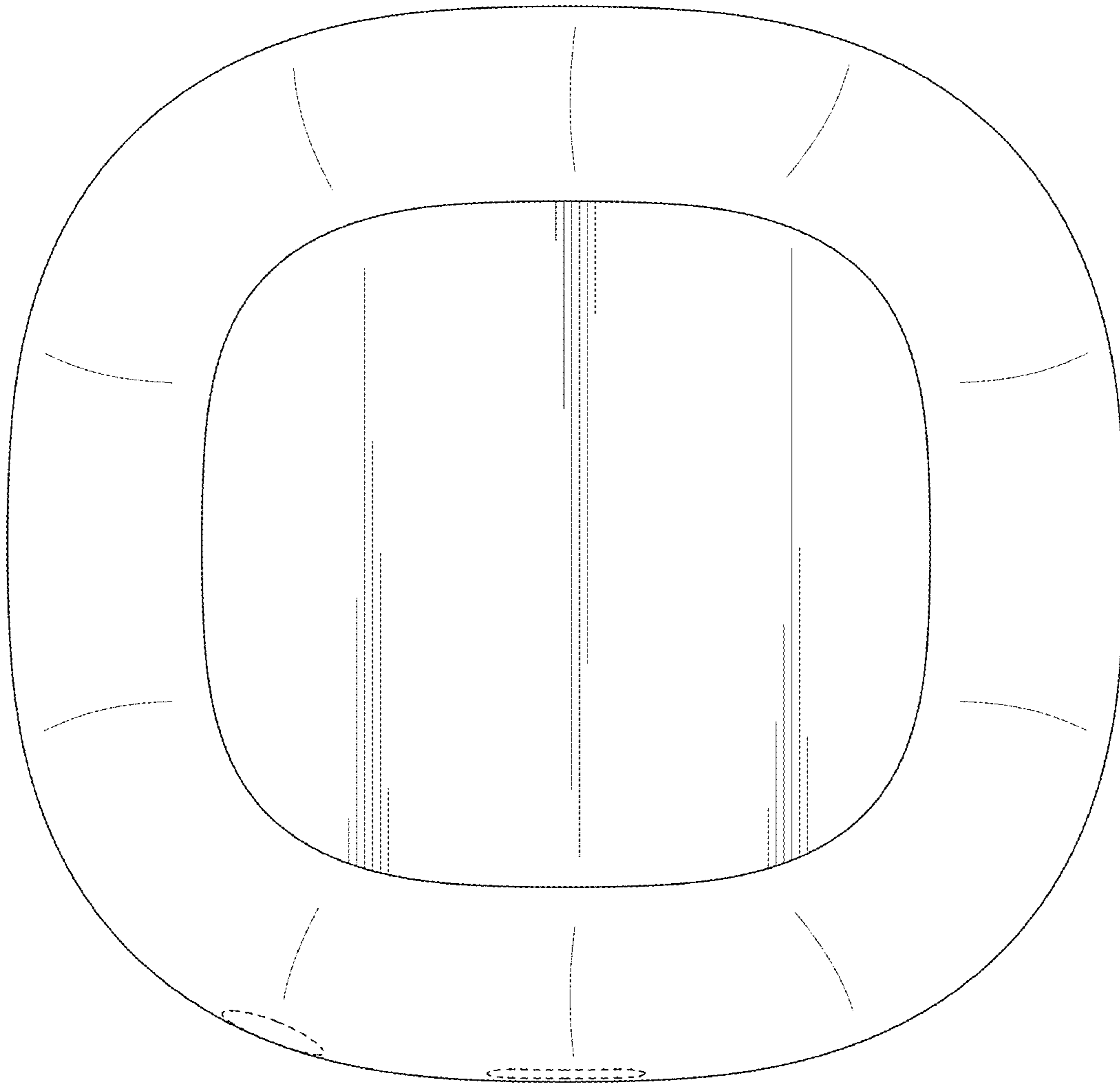


FIG. 8

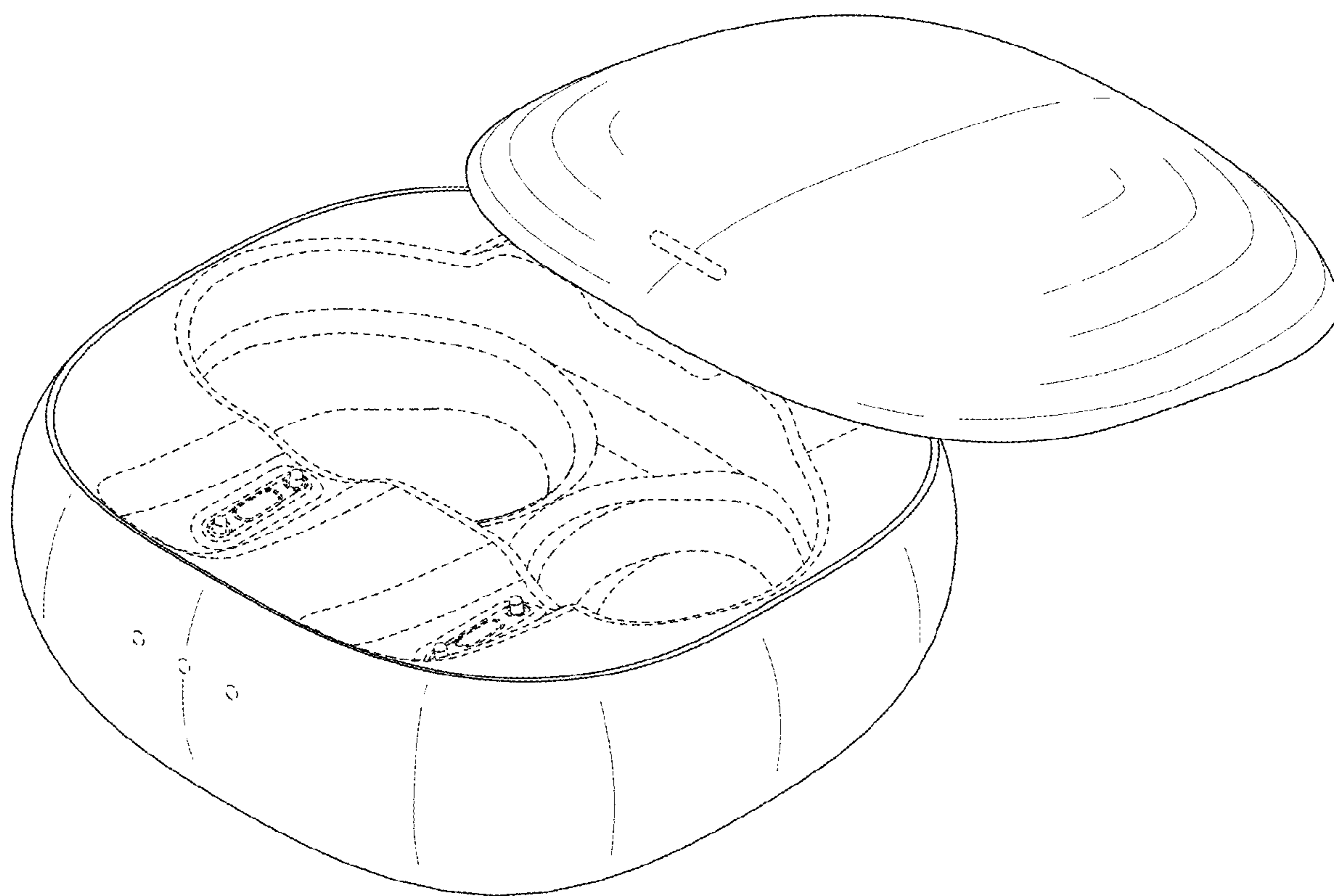


FIG. 9