



US00D966707S

(12) **United States Design Patent**  
**Yang**

(10) **Patent No.:** **US D966,707 S**  
(45) **Date of Patent:** **\*\* Oct. 18, 2022**

- (54) **WATERPROOF ENCLOSURE**
- (71) Applicant: **EZEN NETWORK INC**, Alpharetta, GA (US)
- (72) Inventor: **Xianfeng Yang**, Alpharetta, GA (US)
- (73) Assignee: **EZEN NETWORK INC**, Alpharetta, GA (US)

D862,437 S \* 10/2019 Lee ..... H01L 21/67353  
D14/242  
D877,510 S \* 3/2020 Christen ..... B25H 3/02  
D3/905  
D902,587 S \* 11/2020 Zhu ..... B25H 3/02  
D3/294  
D908,669 S 1/2021 Marti et al.  
2006/0011624 A1\* 1/2006 Shih ..... B25H 3/02  
220/4.24  
2006/0201958 A1\* 9/2006 Tieben ..... H01L 21/67353  
220/4.23

(\*\*) Term: **15 Years**

(21) Appl. No.: **29/805,256**

(22) Filed: **Aug. 25, 2021**

(51) **LOC (13) Cl.** ..... **03-01**

(52) **U.S. Cl.**  
USPC ..... **D3/294**

(58) **Field of Classification Search**  
USPC ..... D3/207, 212, 273, 294, 302  
CPC ..... H04L 45/60; A45C 2011/001  
See application file for complete search history.

(56) **References Cited**

**U.S. PATENT DOCUMENTS**

- D145,195 S \* 7/1946 Beckwith ..... D3/903
- D191,427 S \* 9/1961 Peterman et al. .... D3/294
- D212,066 S \* 8/1968 Seller ..... D28/73
- D297,136 S 8/1988 Collins et al.
- D367,646 S 3/1996 Schneider et al.
- D499,074 S 11/2004 Cook et al.
- D514,096 S 1/2006 Shorti et al.
- D563,672 S \* 3/2008 Cornwell ..... D3/905
- 7,641,048 B1 \* 1/2010 Shih ..... B25H 3/02  
206/372
- D613,506 S \* 4/2010 Aglassinger ..... D3/905
- D626,951 S 11/2010 Ding
- D733,429 S \* 7/2015 Grenier ..... D3/905
- D814,187 S 4/2018 Cagler

**OTHER PUBLICATIONS**

Outdoor 4G Router, announced Jul. 16, 2021 [online], [site visited Jun. 6, 2022]. Available from internet, URL: <<https://www.youtube.com/watch?v=bgO9mS25wNE>> (Year: 2021).\*

\* cited by examiner

*Primary Examiner* — Kevin K Rudzinski

*Assistant Examiner* — Amber J Rabie

(74) *Attorney, Agent, or Firm* — Nitin Kaushik

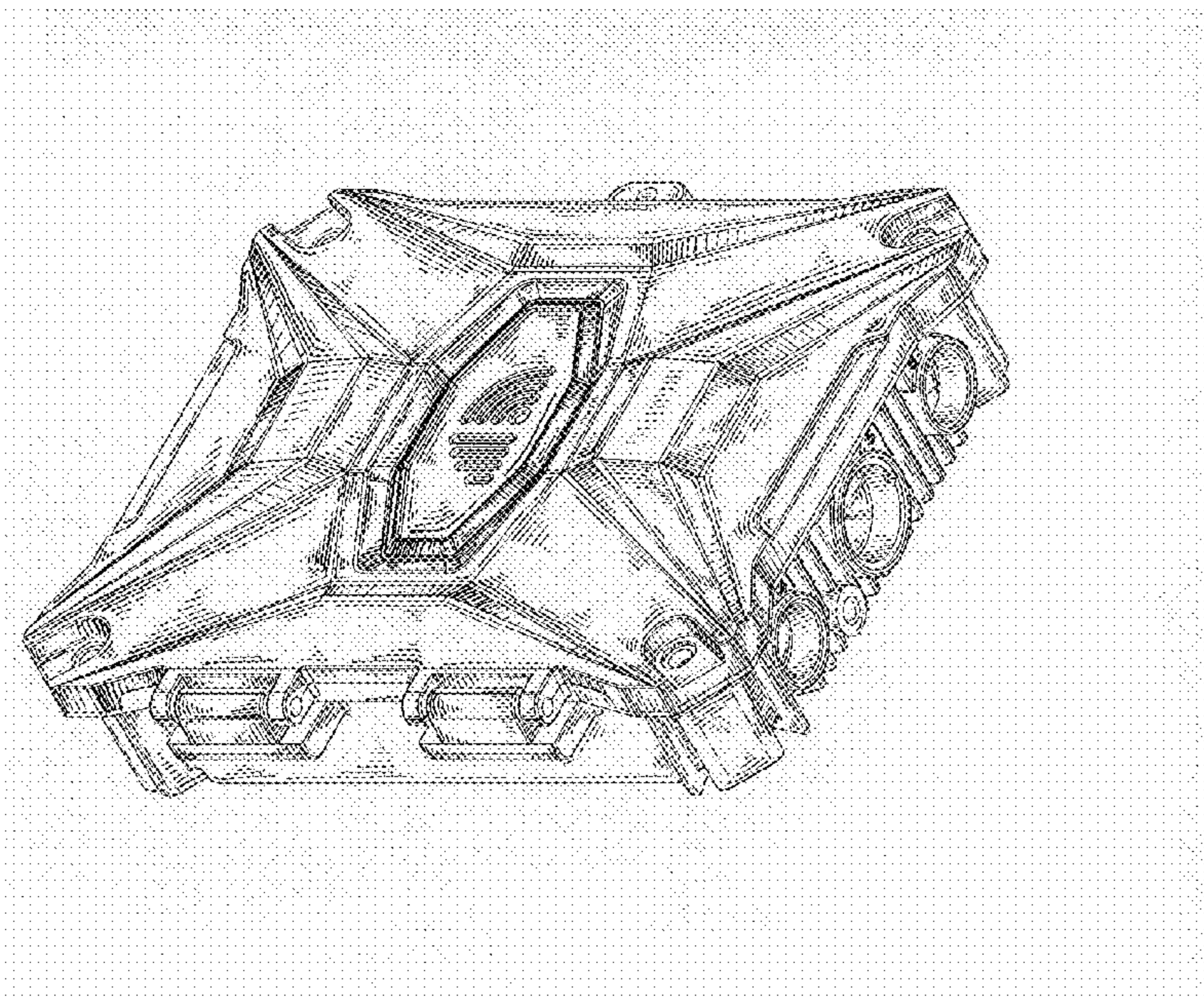
(57) **CLAIM**

The ornamental design for a waterproof enclosure, as shown and described.

**DESCRIPTION**

FIG. 1 is a front, top, left perspective view of a waterproof enclosure showing my new design;  
FIG. 2 is a rear, bottom, right perspective view thereof;  
FIG. 3 is a front elevational view thereof;  
FIG. 4 is a left elevational view thereof;  
FIG. 5 is a right elevational view thereof;  
FIG. 6 is a rear elevational view thereof;  
FIG. 7 is a top plan view thereof; and,  
FIG. 8 is a bottom plan view thereof.

**1 Claim, 8 Drawing Sheets**



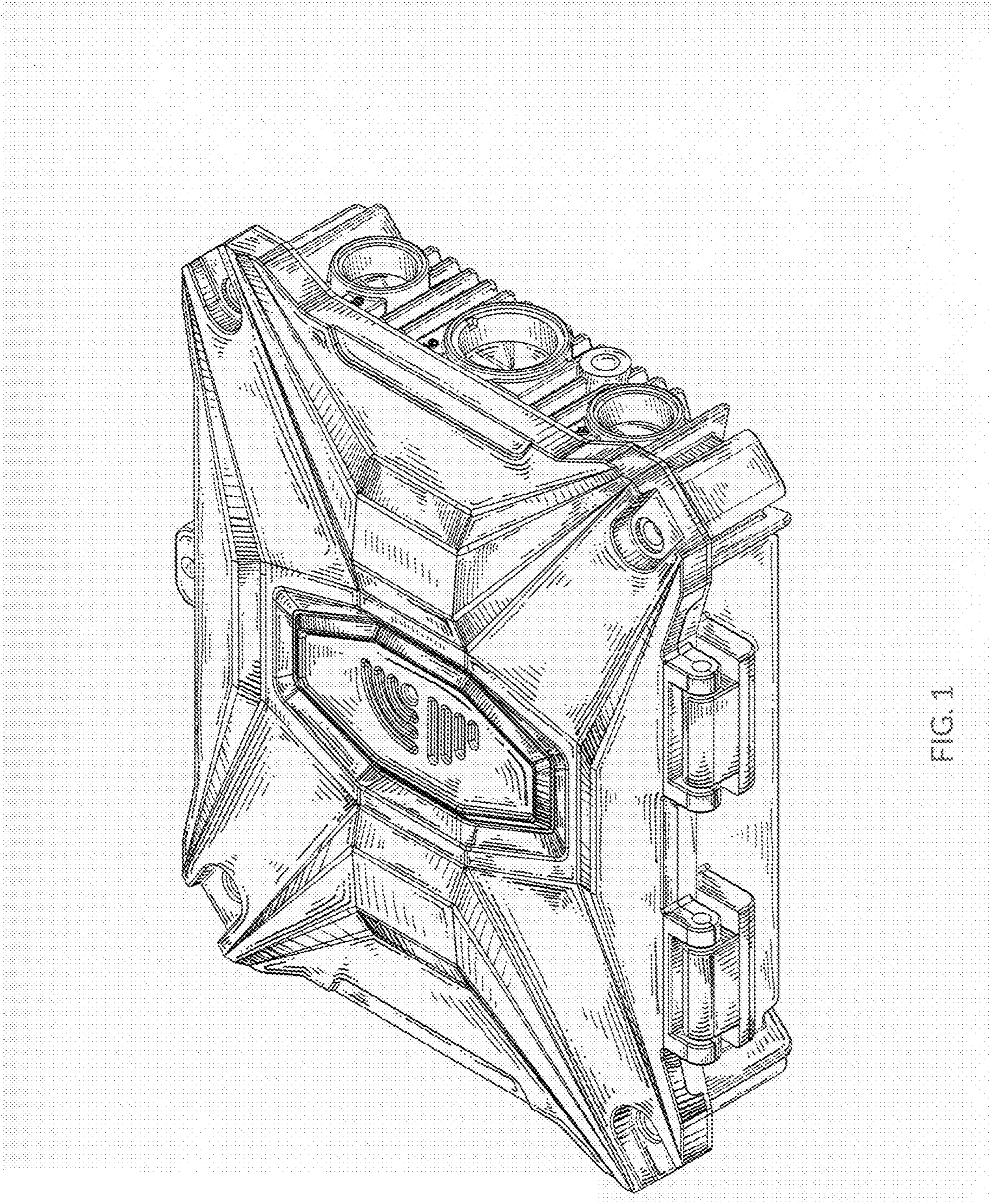


FIG. 1

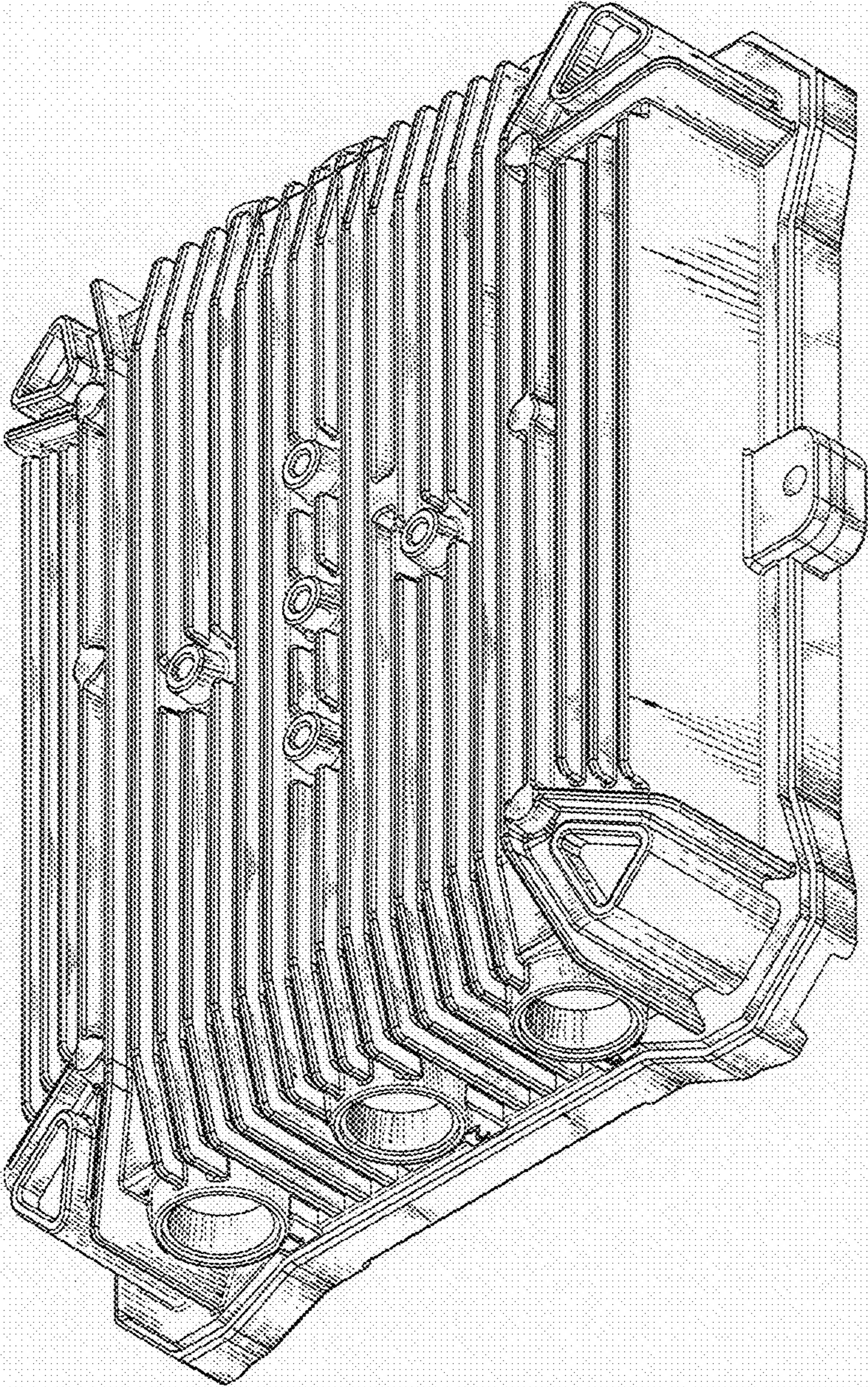


FIG. 2

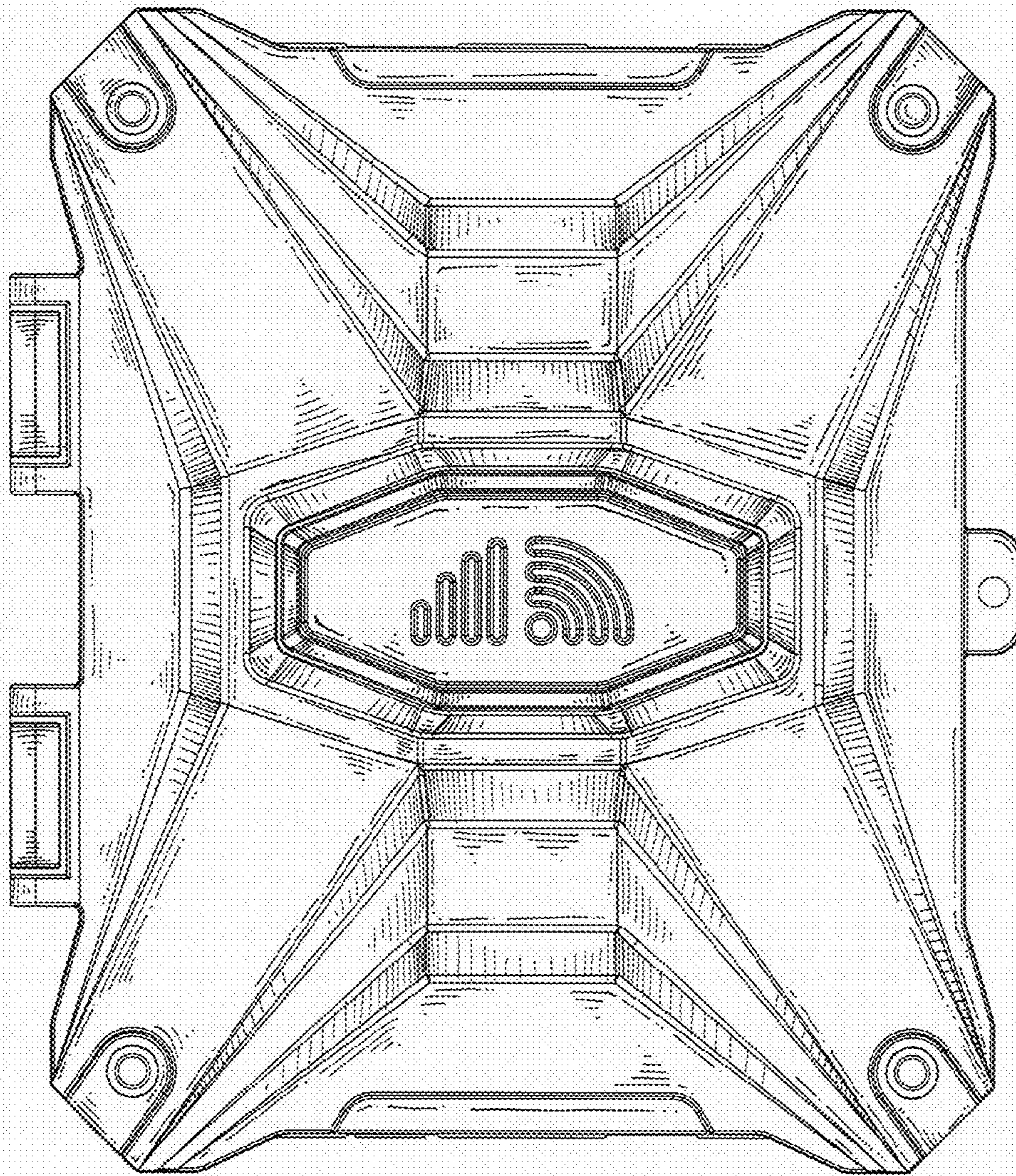


FIG. 3

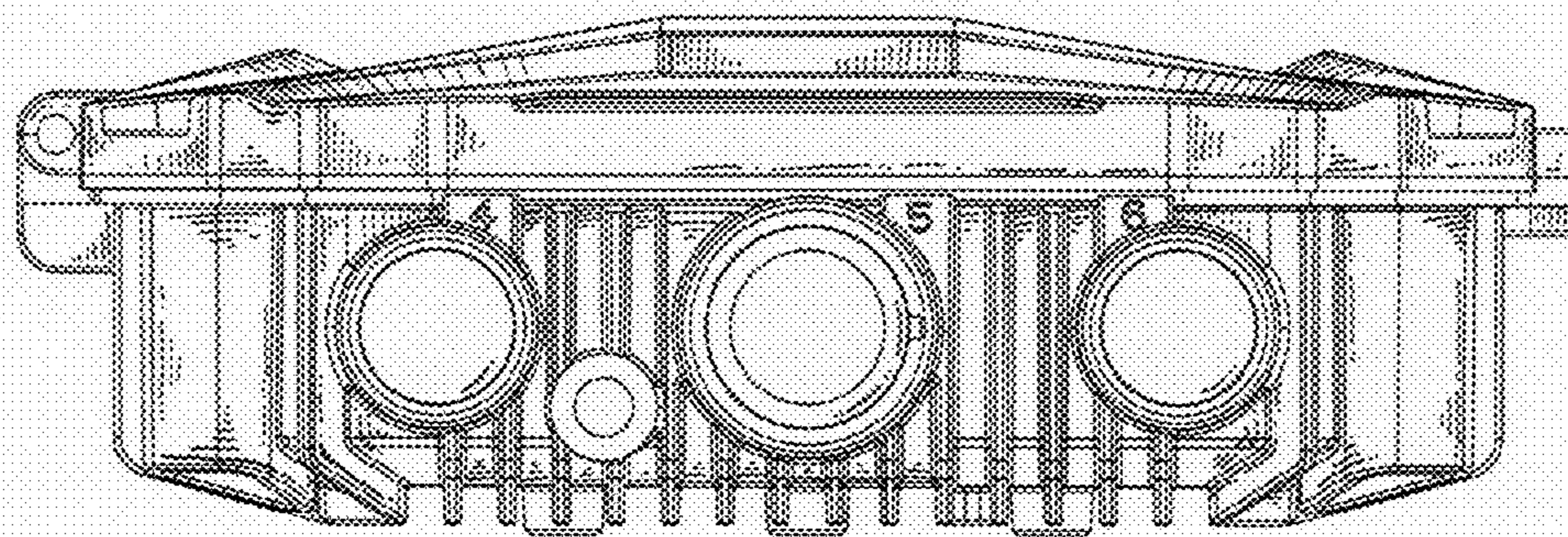


FIG. 4

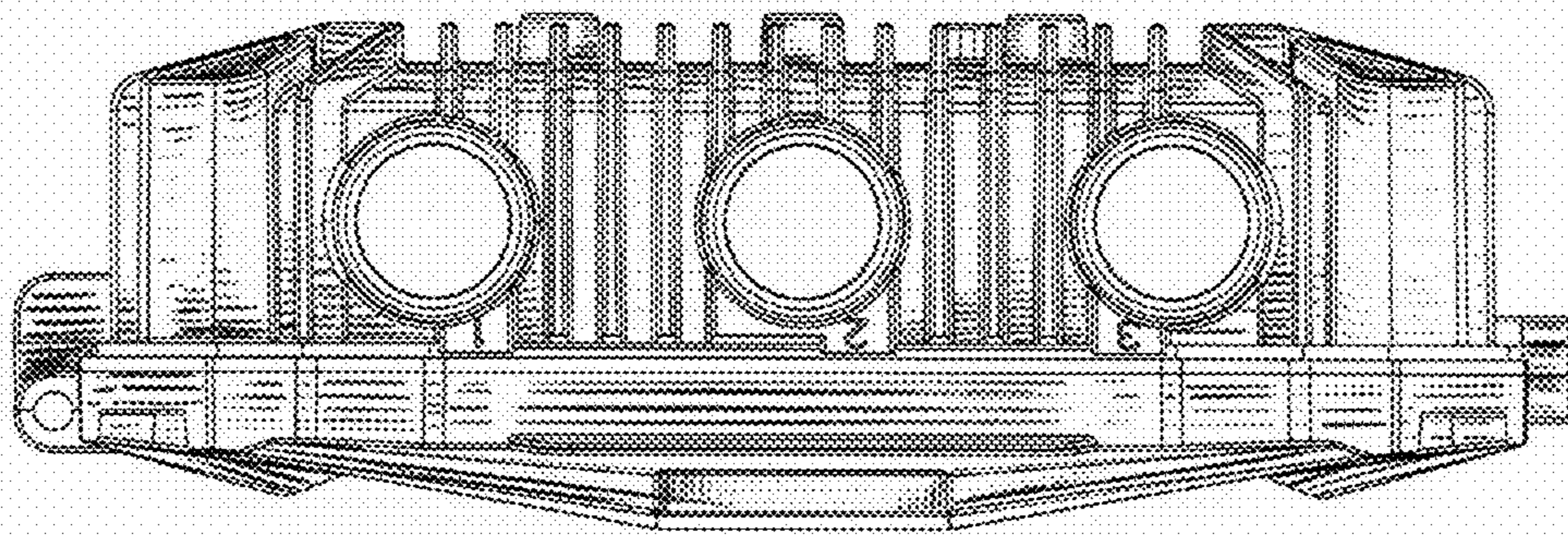


FIG. 5

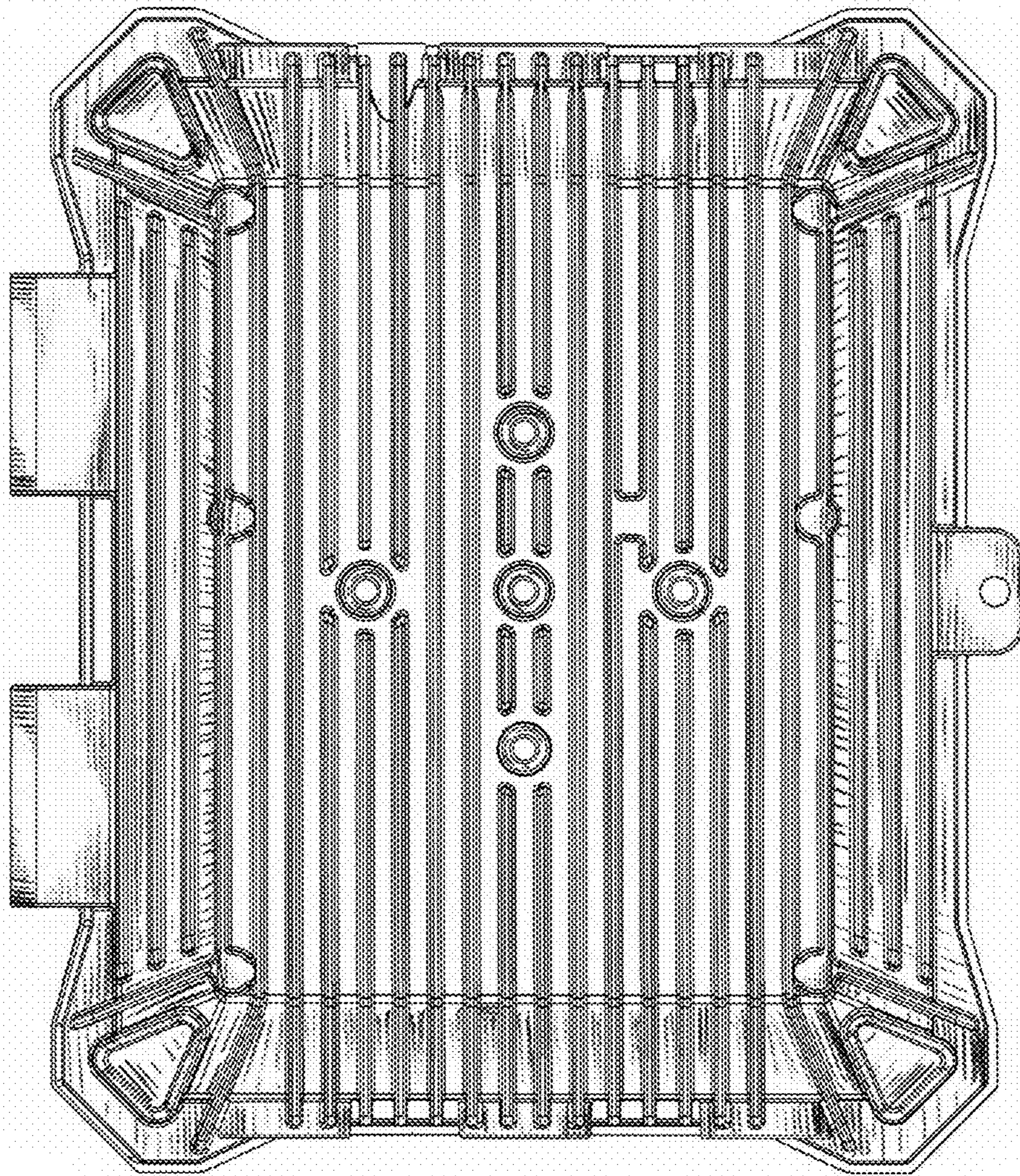


FIG. 6

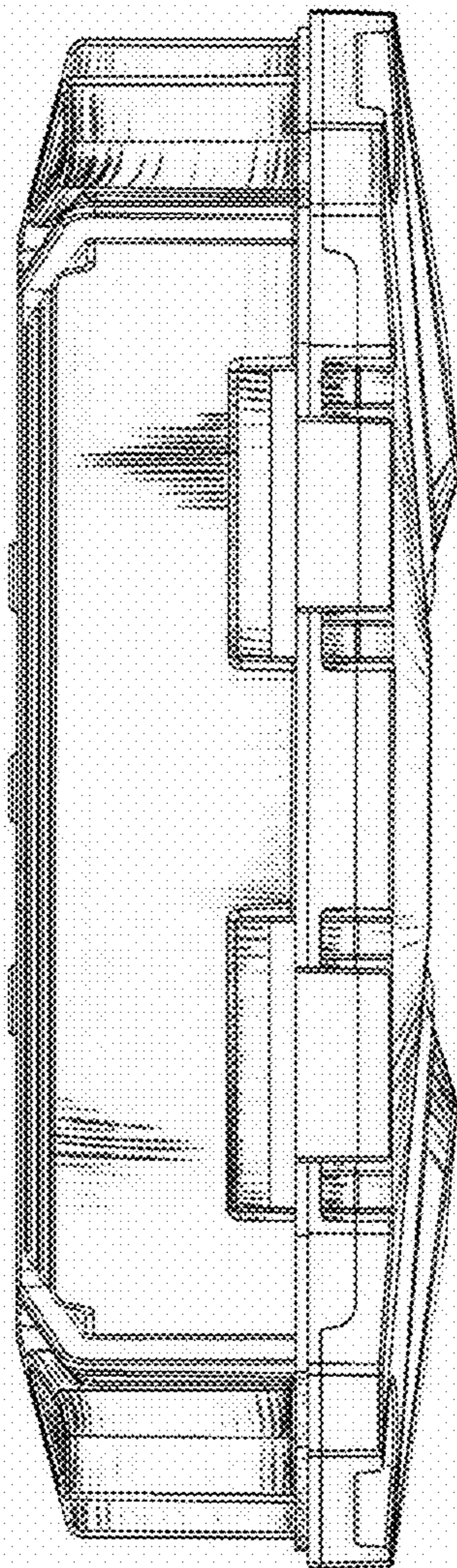


FIG. 7



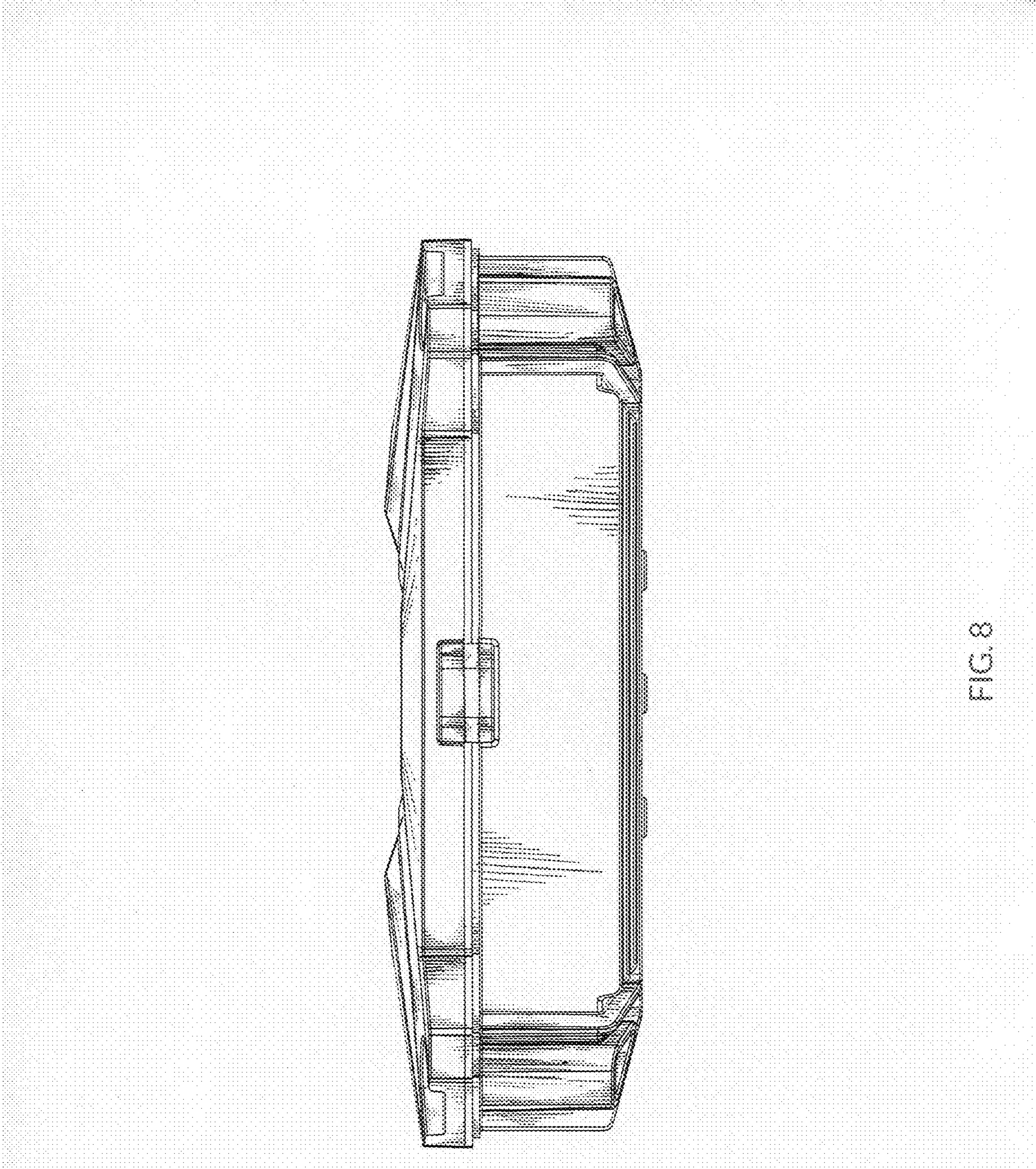


FIG. 8