



US00D966704S

(12) **United States Design Patent** (10) **Patent No.:** **US D966,704 S**  
**Korey et al.** (45) **Date of Patent:** **\*\* Oct. 18, 2022**

(54) **LUGGAGE**

D428,797 S 8/2000 Lin  
D447,929 S 9/2001 Chang  
D695,016 S 12/2013 Moon

(71) Applicant: **JRSK, Inc.**, New York, NY (US)

(Continued)

(72) Inventors: **Stephanie Korey**, New York, NY (US);  
**Jennifer Rubio**, New York, NY (US);  
**Bret Recor**, New York, NY (US); **Seth Murray**, New York, NY (US); **Charles Weber**, New York, NY (US); **Ahyoung Park**, New York, NY (US)

OTHER PUBLICATIONS

Arndt, The Carry-On Bag That Charges Your Phone. Popular Mechanics. Aug. 31, 2016. <https://www.popularmechanics.com/flight/reviews/a22640/away-carry-on-charges-your-phone/> Popular Mechanics. 8 pages. Last accessed May 25, 2022.

(73) Assignee: **JRSK, Inc.**, New York, NY (US)

Primary Examiner — April Rivas

(\*\*) Term: **15 Years**

(74) Attorney, Agent, or Firm — Wolf, Greenfield & Sacks, P.C.

(21) Appl. No.: **29/726,108**

(57) **CLAIM**

(22) Filed: **Feb. 28, 2020**

The ornamental design for a luggage, as shown and described.

**DESCRIPTION**

**Related U.S. Application Data**

(63) Continuation of application No. 29/609,840, filed on Jul. 6, 2017, now Pat. No. Des. 880,156, which is a continuation of application No. 14/935,335, filed on Nov. 6, 2015, now Pat. No. 10,219,599.

(51) **LOC (13) Cl.** ..... **03-01**

(52) **U.S. Cl.**  
USPC ..... **D3/279**; D3/273; D3/289

(58) **Field of Classification Search**  
USPC ..... D3/279, 281, 318, 285, 301, 294, 321, D3/273  
CPC .... Y10T 16/451; A45C 2005/032; A45C 5/03  
See application file for complete search history.

FIG. 1 is a front perspective view of a piece of luggage showing our new, original and ornamental design embodied therein, in accordance with the present invention;  
FIG. 2 is a rear perspective view of the piece of luggage of FIG. 1;  
FIG. 3 is a front elevational view of the piece of luggage of FIG. 1;  
FIG. 4 is a rear elevational view of the piece of luggage of FIG. 1;  
FIG. 5 is a top view of the piece of luggage of FIG. 1;  
FIG. 6 is a bottom view of the piece of luggage of FIG. 1;  
FIG. 7 is a first elevational side view of the piece of luggage of FIG. 1; and,  
FIG. 8 is a second elevational side view of the piece of luggage of FIG. 1.

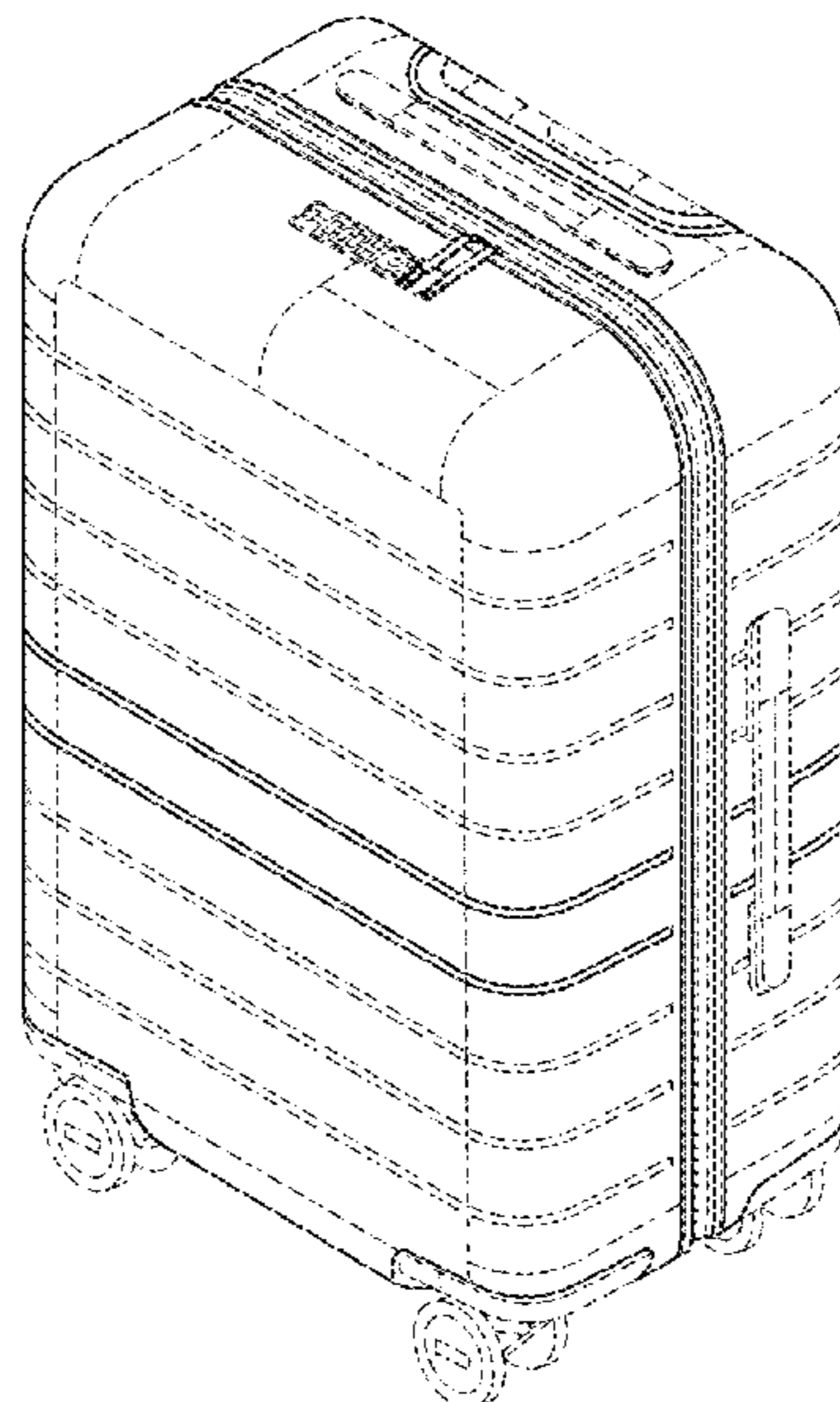
Any dash-dash broken lines in the drawings, including any dash-dash broken line over a claimed surface, represent unclaimed portions of the piece of luggage and form no part of the claimed design.

(56) **References Cited**

**U.S. PATENT DOCUMENTS**

4,762,211 A \* 8/1988 Krenzel ..... A45C 3/001  
190/122  
5,581,847 A 12/1996 Hsieh  
5,782,325 A 7/1998 O'Shea et al.

**1 Claim, 8 Drawing Sheets**



(56)

**References Cited**

U.S. PATENT DOCUMENTS

D702,442	S	4/2014	Liang	
D722,771	S *	2/2015	Wu .....	D3/289
D771,948	S	11/2016	Bhatnager et al.	
D778,054	S	2/2017	Li	
D804,184	S	12/2017	Bhatnager et al.	
D827,304	S	9/2018	Tao	
D836,909	S *	1/2019	Karl .....	D3/279
D874,139	S *	2/2020	Rubio .....	D3/279
D874,821	S *	2/2020	Rubio .....	D3/279
D877,508	S *	3/2020	Korey .....	A45C 5/14
				D3/279
D881,569	S *	4/2020	Rubio .....	D3/279
D889,835	S *	7/2020	Roosen .....	D3/318
D899,083	S *	10/2020	Rubio .....	D3/279
D899,776	S	10/2020	Rubio et al.	
D907,920	S *	1/2021	Li .....	D3/279
D909,062	S *	2/2021	Qian .....	D3/279
2005/0183914	A1	8/2005	Lin	
2008/0053771	A1	3/2008	Wu	
2015/0027836	A1 *	1/2015	Zhou .....	A45C 5/14
				190/12 A
2017/0290401	A1	10/2017	Bhatnager et al.	
2018/0000215	A1	1/2018	Korey et al.	

\* cited by examiner

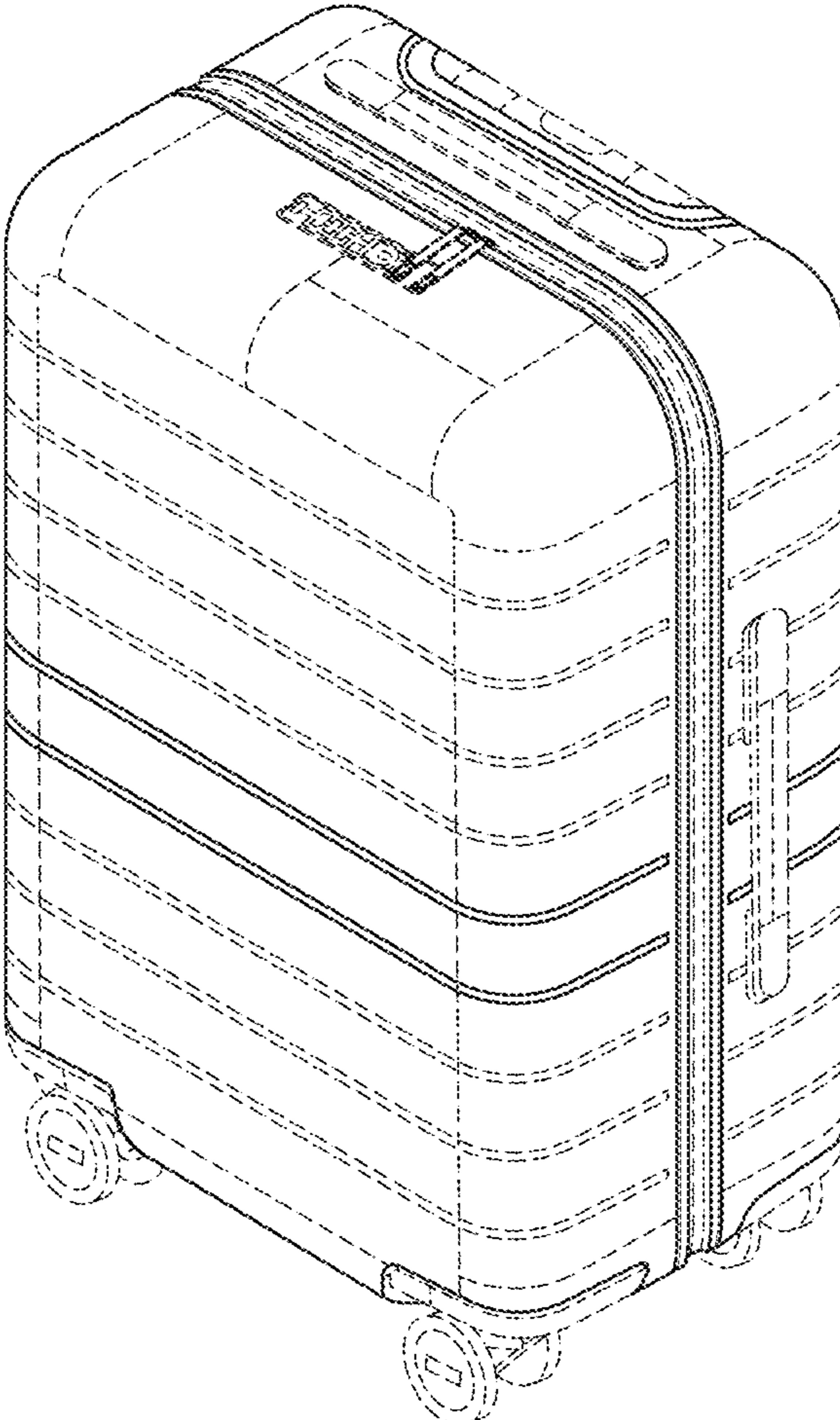


FIG. 1

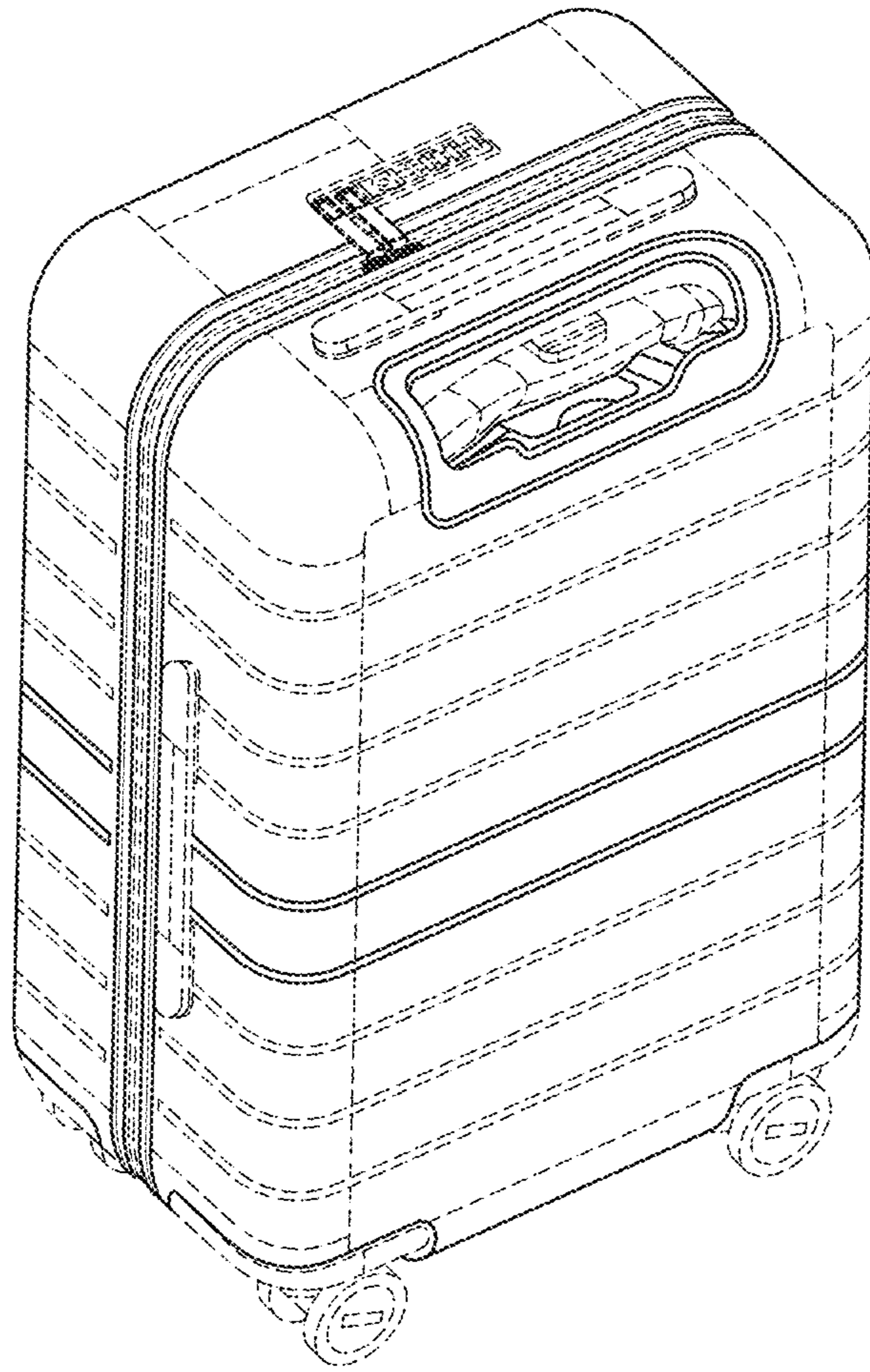


FIG. 2



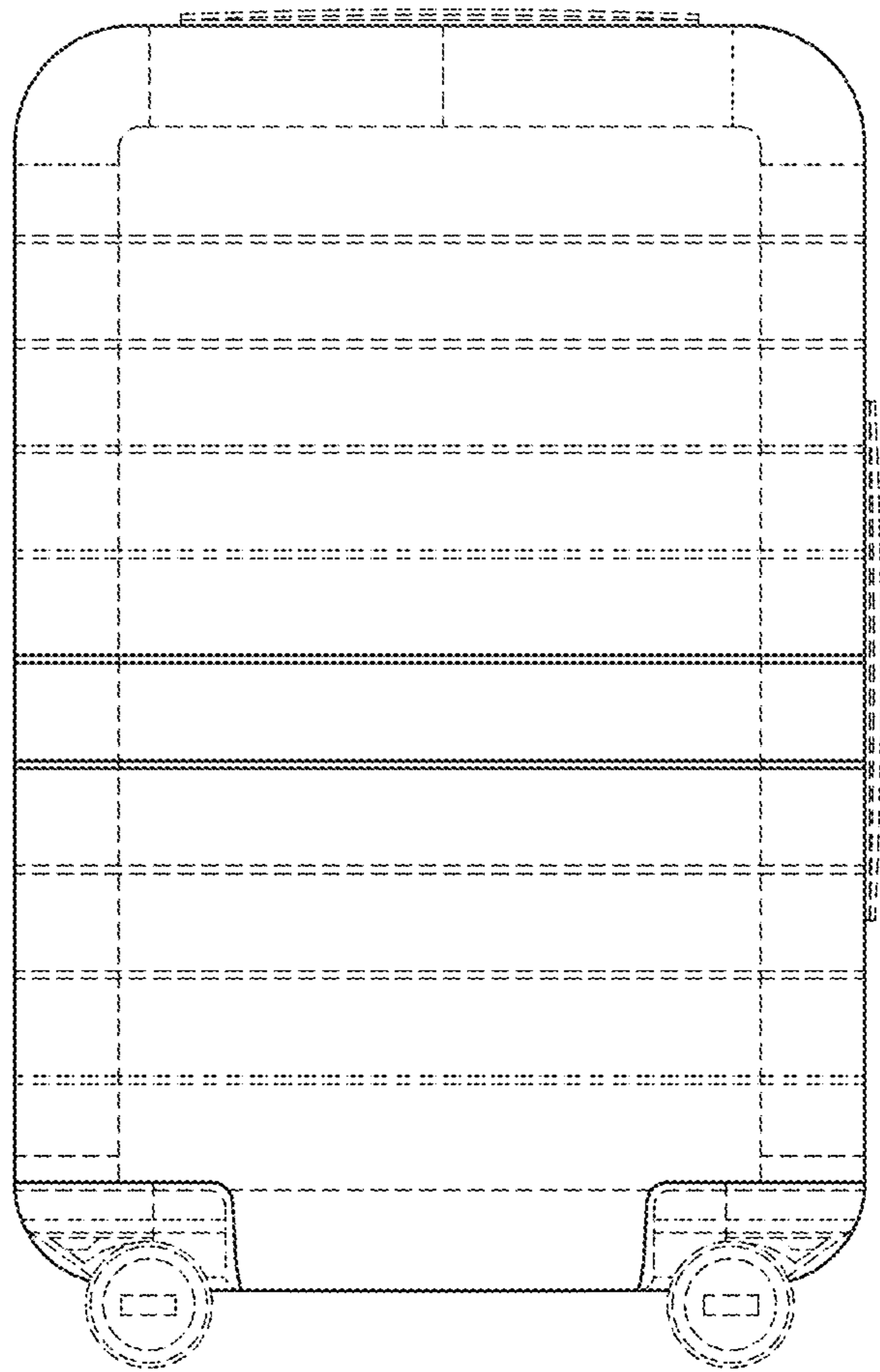


FIG. 3

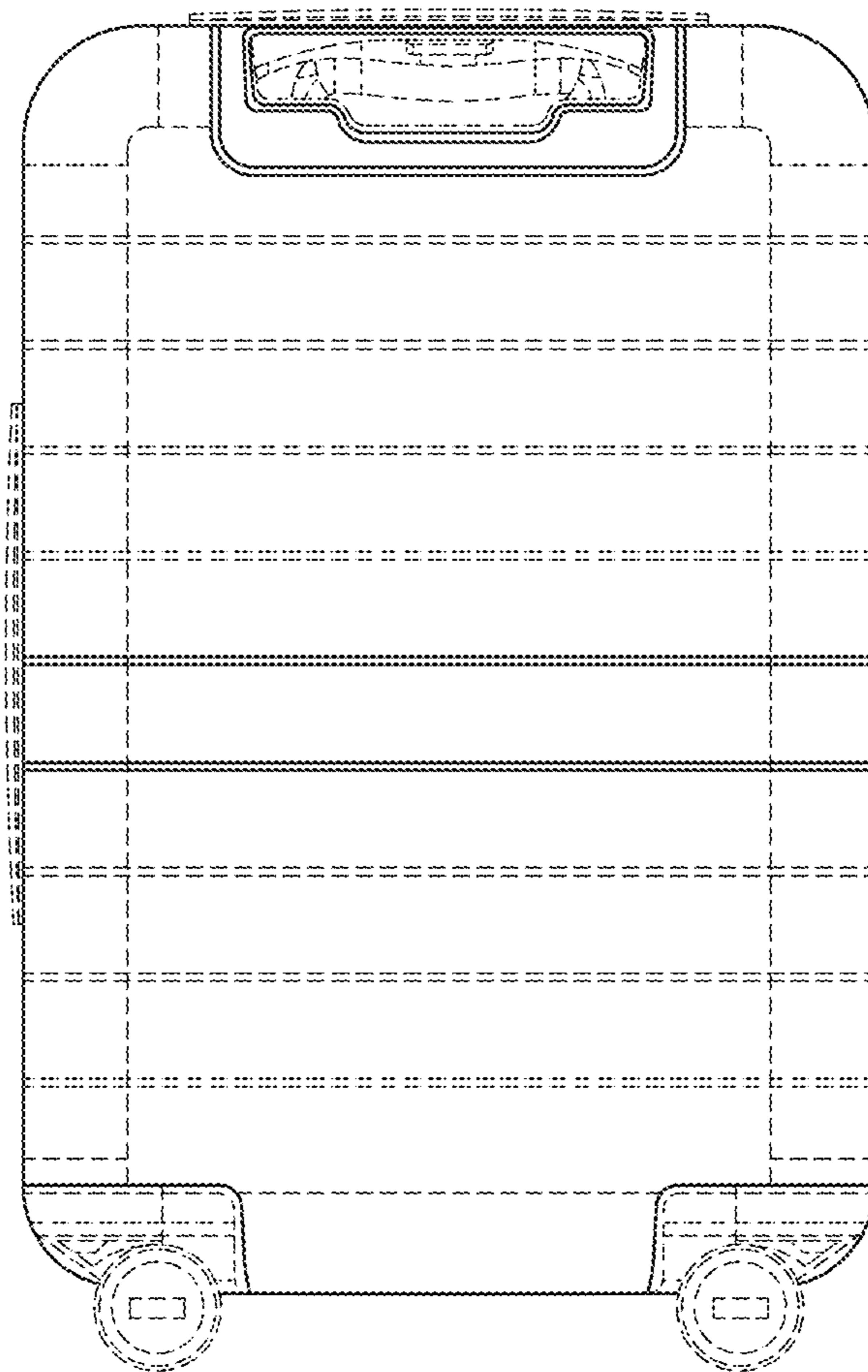


FIG. 4

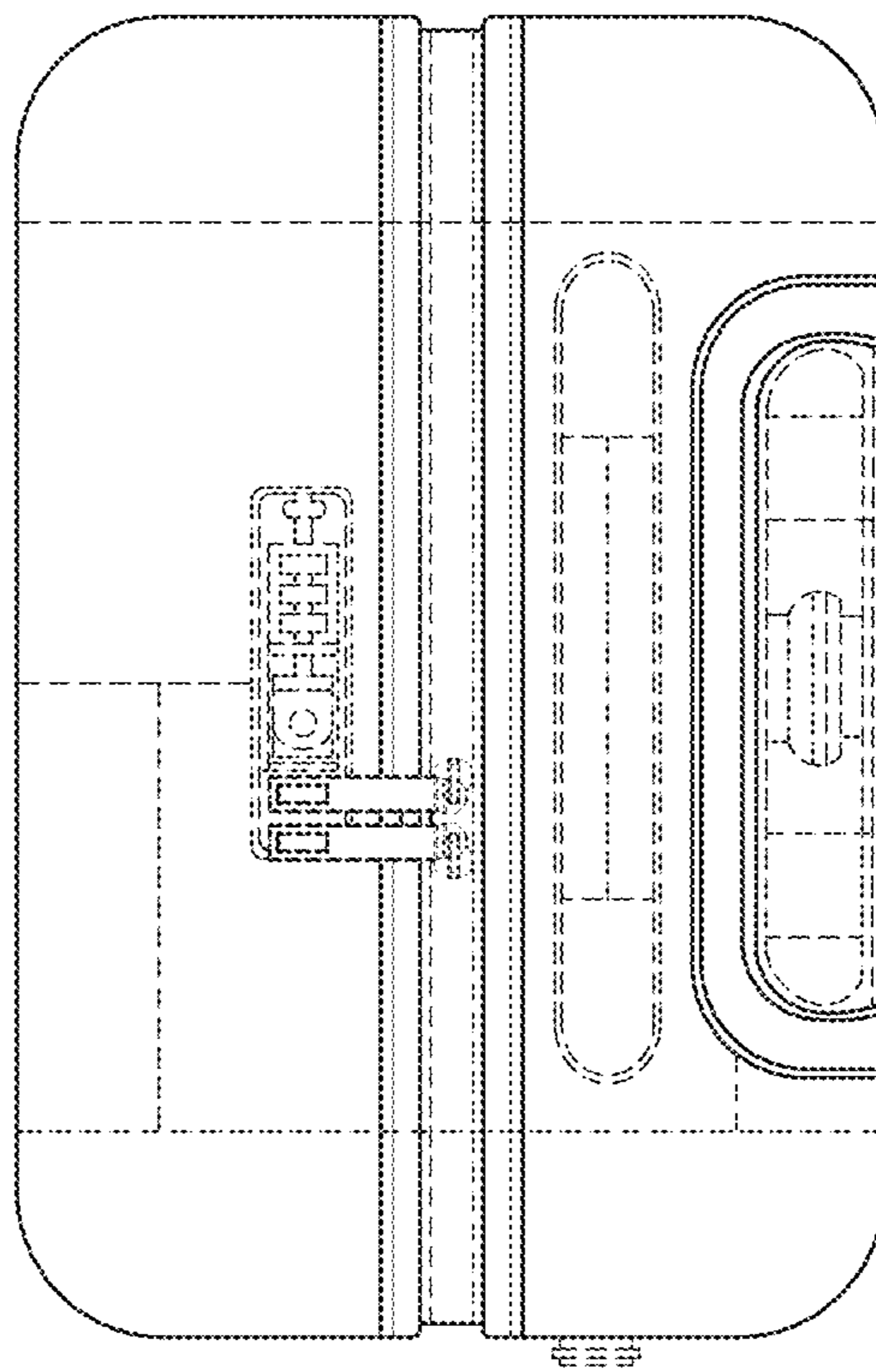


FIG. 5

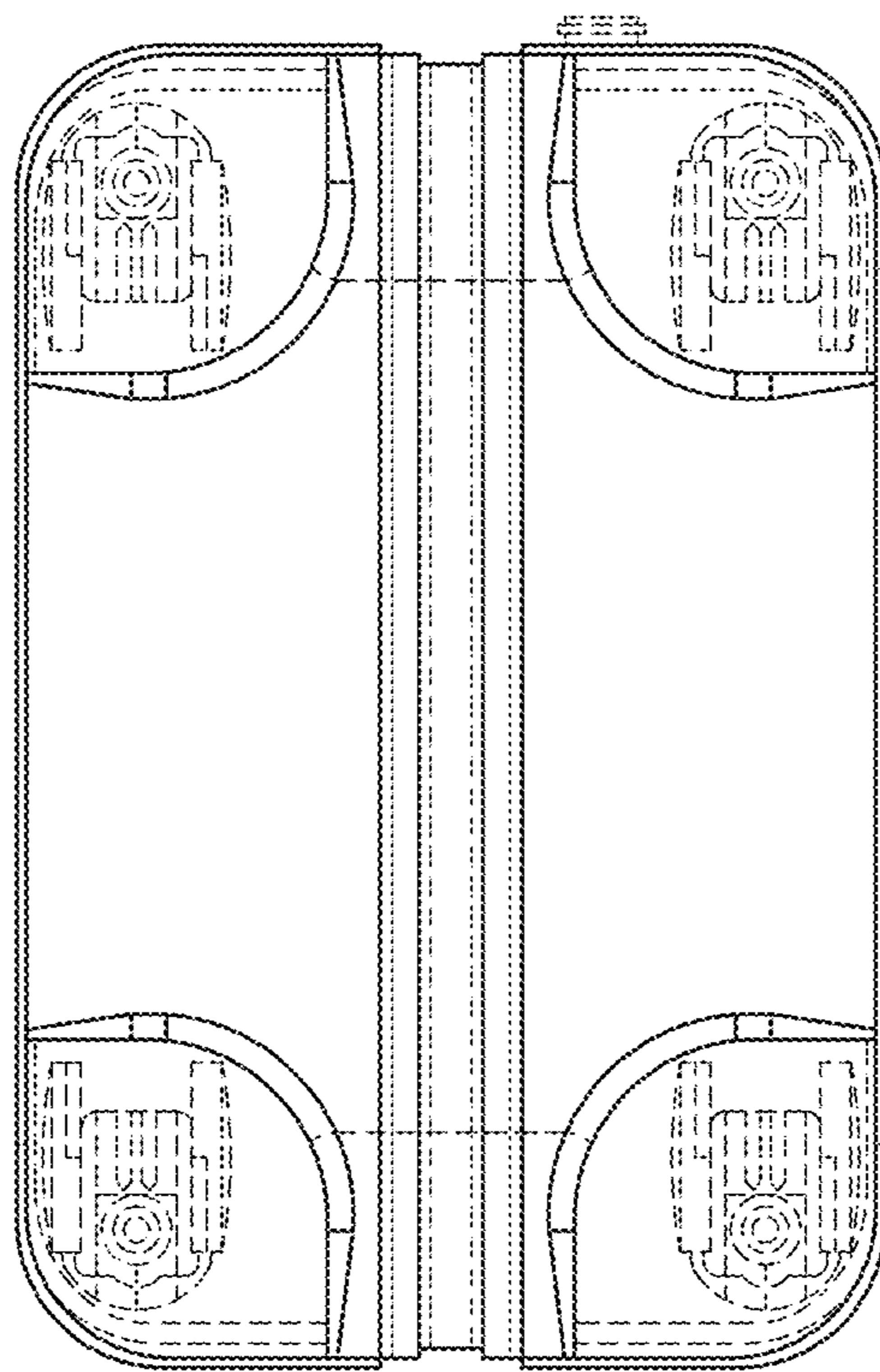


FIG. 6



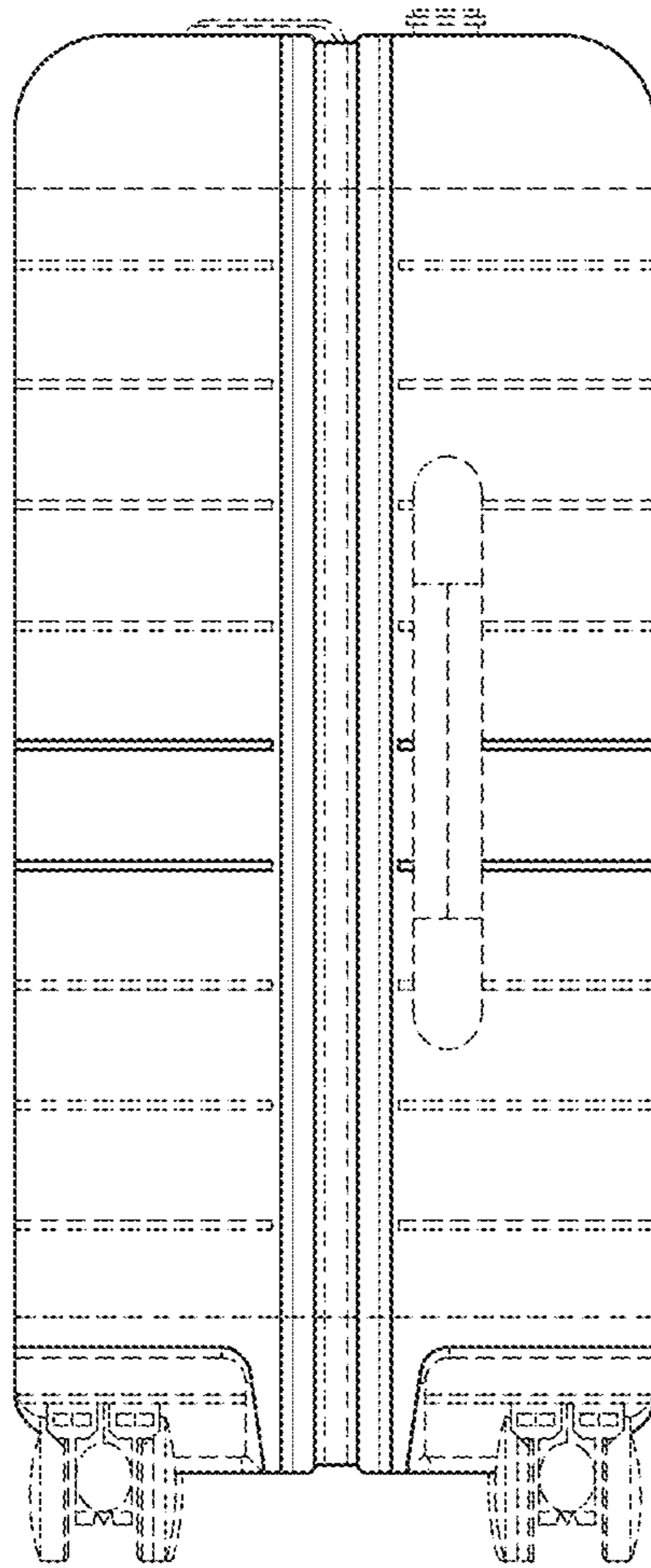


FIG. 7

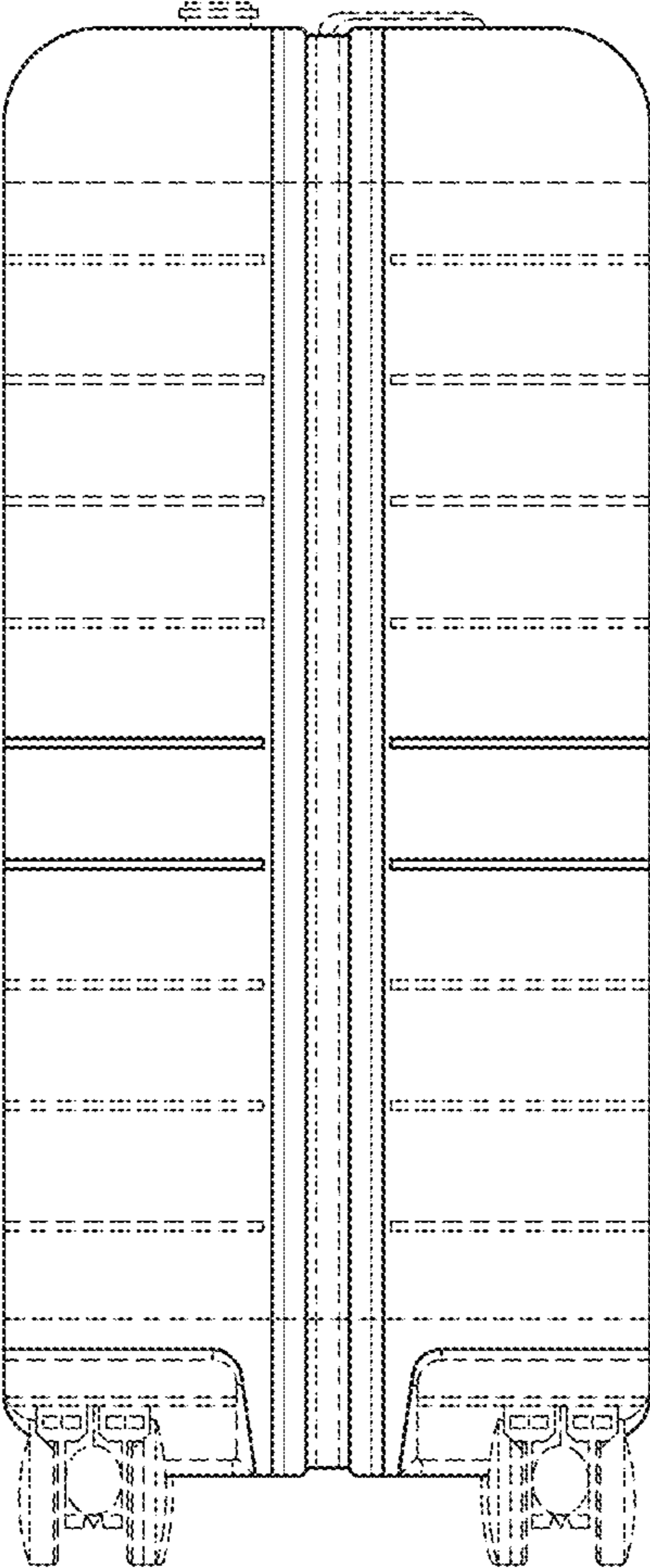


FIG. 8