



US00D966702S

(12) **United States Design Patent** (10) **Patent No.:** **US D966,702 S**
Grafilo (45) **Date of Patent:** **** Oct. 18, 2022**

(54) **COMBINED WALLET AND CARD HOLDER**

(71) Applicant: **Edward Grafilo**, San Francisco, CA
(US)

(72) Inventor: **Edward Grafilo**, San Francisco, CA
(US)

(**) Term: **15 Years**

(21) Appl. No.: **29/746,383**

(22) Filed: **Aug. 13, 2020**

Related U.S. Application Data

(62) Division of application No. 29/695,981, filed on Jun. 24, 2019, now Pat. No. Des. 895,964.

(51) **LOC (13) Cl.** **03-01**

(52) **U.S. Cl.**
USPC **D3/247**

(58) **Field of Classification Search**
USPC D3/215, 221, 226, 247, 249–253, 300,
D3/303; D11/78.1; D19/9–10, 33
CPC ... A45C 1/06; A45C 1/04; A45F 5/021; A45F
2005/002; A45F 5/00
See application file for complete search history.

(56) **References Cited**

U.S. PATENT DOCUMENTS

2,175,327	A	10/1939	Thornhill	A45C 3/06 150/129
2,317,748	A	4/1943	Exline		
2,383,108	A	8/1945	Harold		
2,746,508	A	5/1956	Doughty		
D325,393	S *	4/1992	Schertz	281/19.1
D471,008	S *	3/2003	Dubone	D3/247
7,748,086	B2	7/2010	Bridgefamer		
D670,496	S *	11/2012	Phillips	D3/300
D718,525	S *	12/2014	Kim	D3/247
D782,189	S *	3/2017	Bauer	D3/247
9,648,931	B2	5/2017	Sha	A45C 1/06
D833,143	S *	11/2018	DeChant	D3/247

10,201,216	B2	2/2019	Van Geer	A45C 1/06
D862,079	S *	10/2019	DeChant	D3/247
D882,947	S *	5/2020	Park	D3/247
D887,131	S *	6/2020	Smith	D3/247
D895,964	S *	9/2020	Grafilo	D3/247
11,278,092	B2 *	3/2022	Grafilo	A45C 1/06
2002/0194711	A1	12/2002	Stampler		
2009/0211062	A1	8/2009	Preston-Hall		

(Continued)

OTHER PUBLICATIONS

“Research in Motion Slip Case for Blackberry Playbook (ACC-39319-301)—Black”, first available Oct. 5, 2010, Amazon.com, site visited Mar. 9, 2022: <https://www.amazon.com/Research-Motion-Blackberry-Playbook-ACC-39319-301/dp/B004Z95IWW> (Year: 2010).*

(Continued)

Primary Examiner — Jennifer L Watkins
Assistant Examiner — Samantha Lynne Brodowski
(74) *Attorney, Agent, or Firm* — Laura M. King; Matrix Law Group, LLP

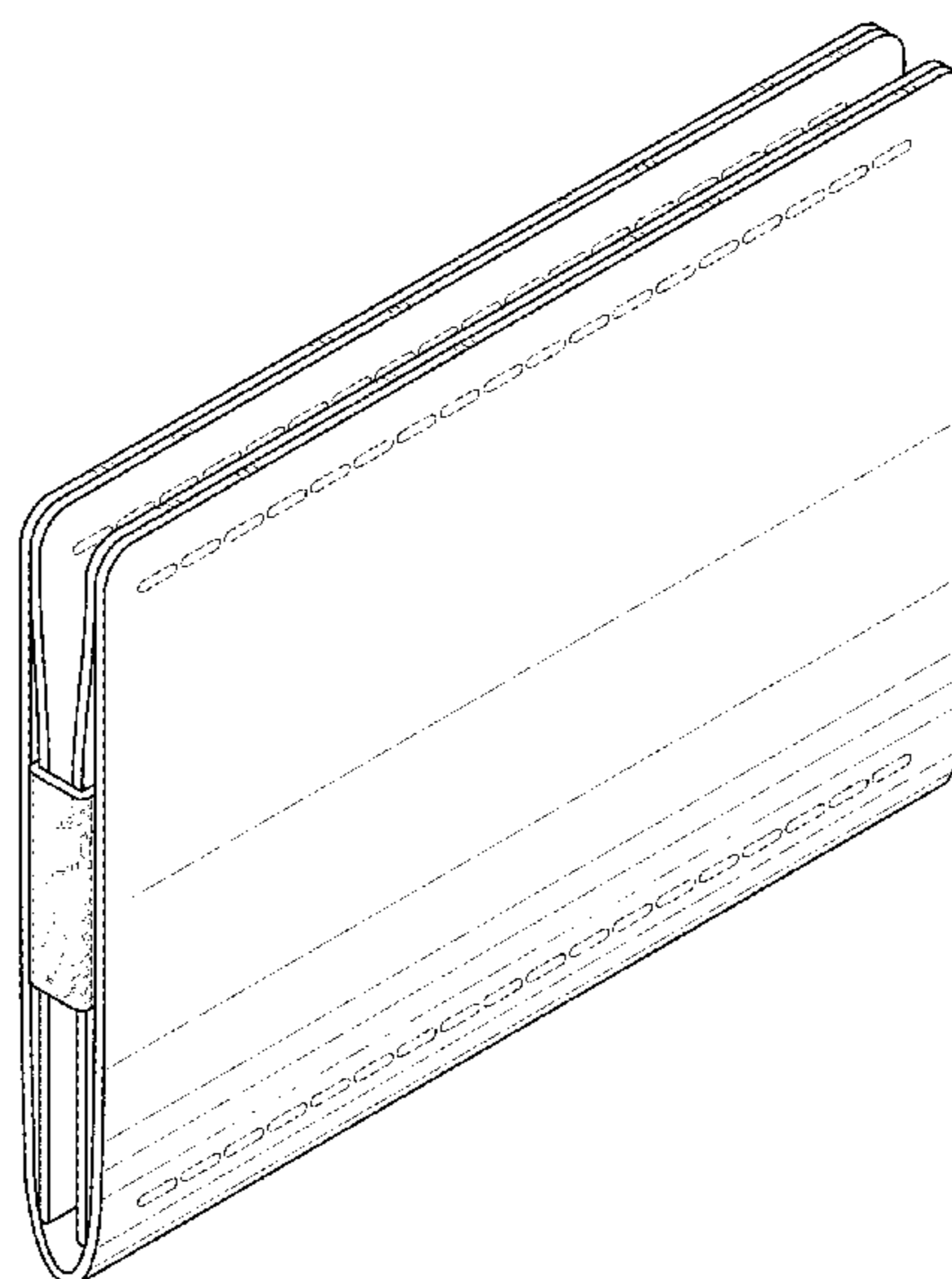
(57) **CLAIM**

The ornamental design for a combined wallet and card holder, as shown and described.

DESCRIPTION

FIG. 1 is a perspective view of the claimed design; FIG. 2 is a front elevational view thereof; FIG. 3 is a rear plan view thereof; FIG. 4 is a right side elevation view thereof; FIG. 5 is a left side elevation view thereof; FIG. 6 is a top plan view thereof; and, FIG. 7 is a bottom plan view thereof. The broken lines are for the purposes of illustrating portions of the combined wallet and card holder and form no part of the claimed design.

1 Claim, 5 Drawing Sheets



(56)

References Cited

U.S. PATENT DOCUMENTS

2013/0056119 A1 3/2013 Henriette
2016/0073747 A1 3/2016 Whichel
2017/0135452 A1 5/2017 Kane
2017/0202324 A1 7/2017 Geer
2020/0000190 A1* 1/2020 Grafilo A45C 1/06
2020/0069012 A1* 3/2020 Burko A45C 1/06

OTHER PUBLICATIONS

USPTO, Non-Final Office Action on the Merits issued in related
U.S. Appl. No. 16/450,677 dated Jul. 9, 2021, 8 pages.

* cited by examiner

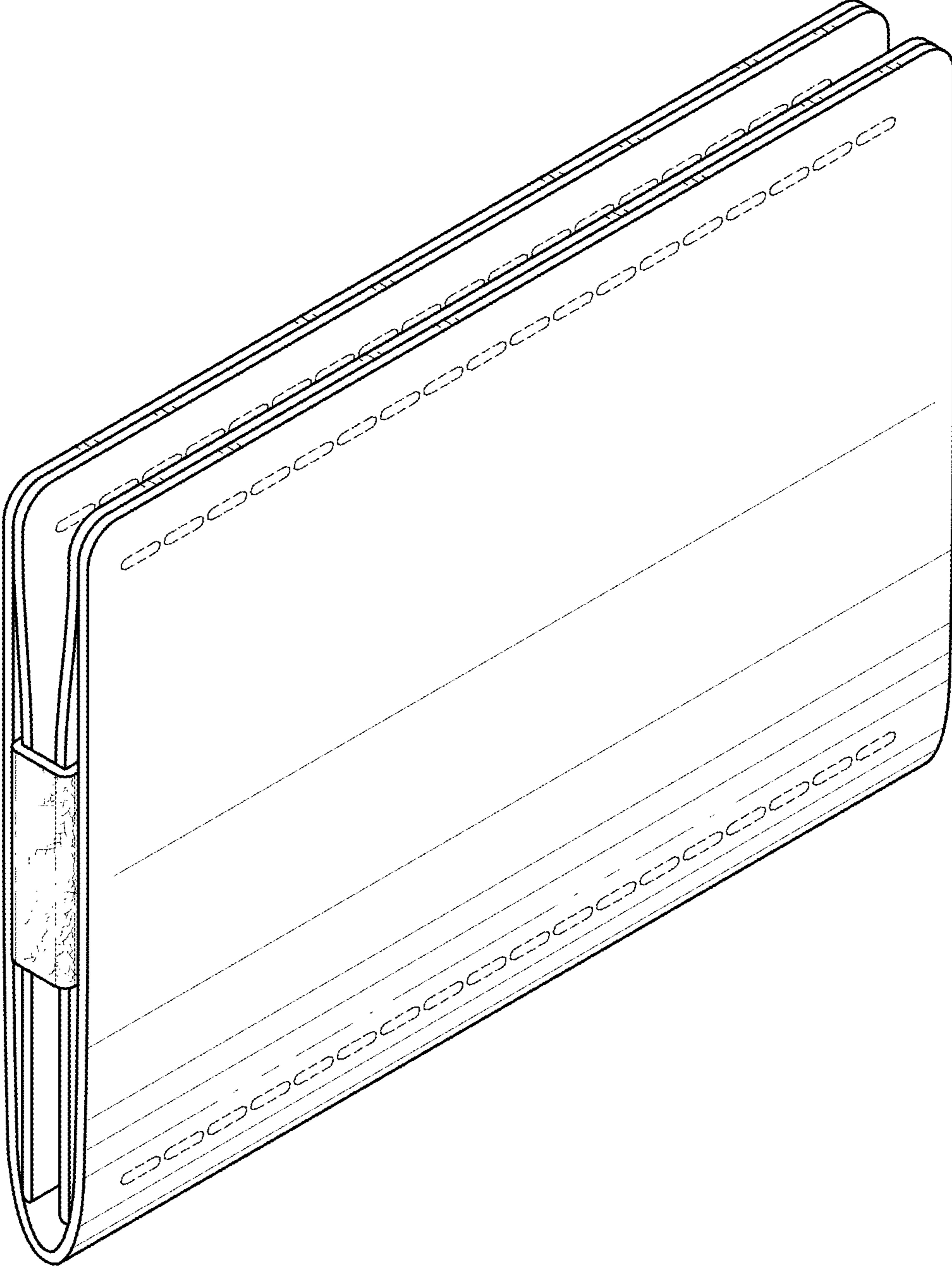


FIG. 1



FIG. 2

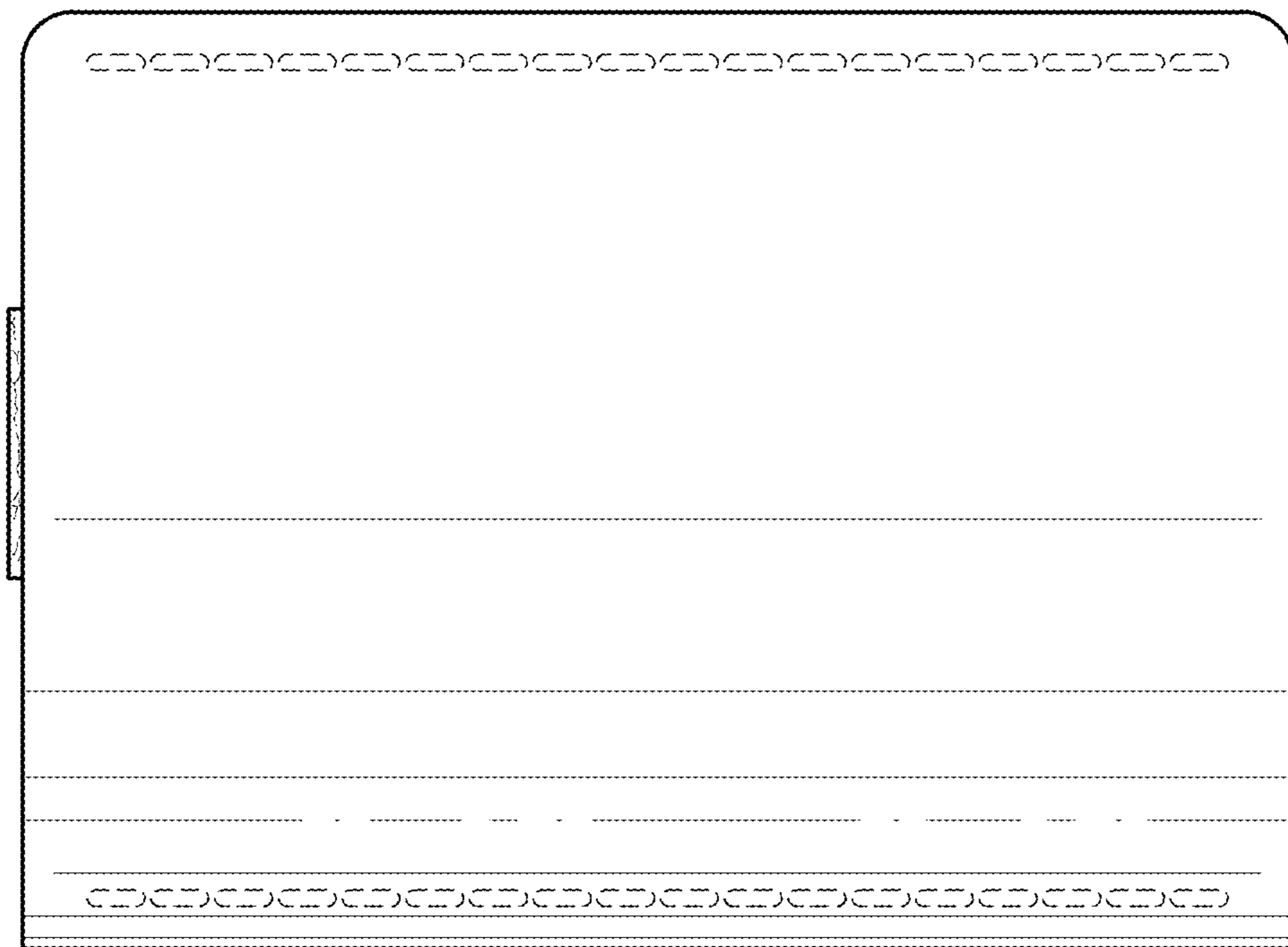


FIG. 3

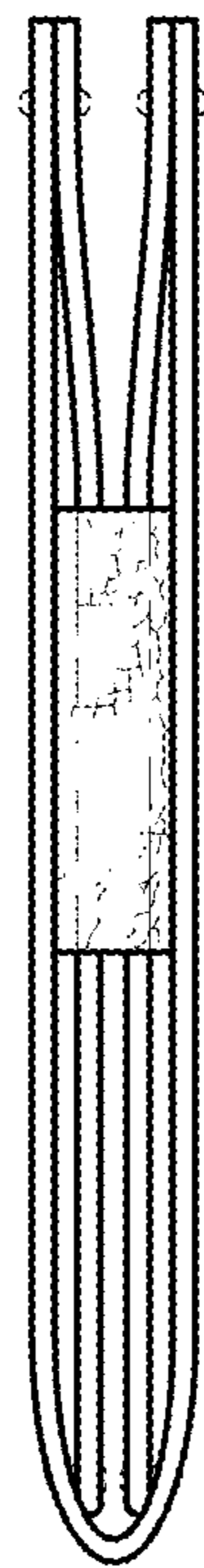


FIG. 4

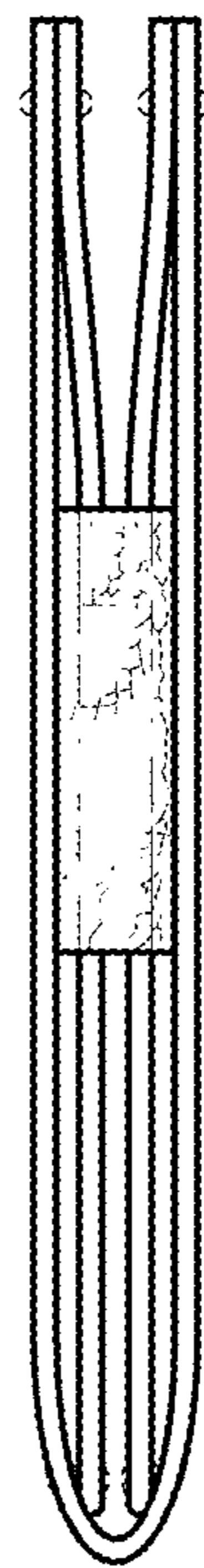


FIG. 5



FIG. 6



FIG. 7