

US00D966701S

(12) **United States Design Patent** (10) **Patent No.:** **US D966,701 S**  
**Huang** (45) **Date of Patent:** **\*\* Oct. 18, 2022**

(54) **CROSSBODY BAG**

(71) Applicant: **SHENZHEN WANYI TRADING CO., LTD.**, Shenzhen (CN)

(72) Inventor: **Wenbo Huang**, Shantou (CN)

(73) Assignee: **SHENZHEN WANYI TRADING CO., LTD.**, Shenzhen (CN)

(\*\*) Term: **15 Years**

(21) Appl. No.: **29/801,634**

(22) Filed: **Jul. 29, 2021**

(51) **LOC (13) Cl.** ..... **03-01**

(52) **U.S. Cl.**  
USPC ..... **D3/243**

(58) **Field of Classification Search**  
USPC ..... D3/232-234, 239-246, 254  
CPC .. A45C 3/06; A45C 3/00; A45C 13/02; Y10S  
190/903

See application file for complete search history.

(56) **References Cited**

**U.S. PATENT DOCUMENTS**

5,725,039	A *	3/1998	Macinai .....	A45C 3/08 150/105
D406,456	S *	3/1999	McDermott .....	D3/232
D710,093	S *	8/2014	Philo .....	D3/243
D759,964	S *	6/2016	Romano .....	D3/243
D767,270	S *	9/2016	Maier .....	D3/243
D855,314	S *	8/2019	Rahardjo .....	D3/243
D855,981	S	8/2019	Vickery	
D856,668	S *	8/2019	Rahardjo .....	D3/243
D876,830	S *	3/2020	Spaziani .....	D3/243
D880,854	S	4/2020	Jusic	
D897,097	S *	9/2020	Hanley .....	D3/243
D897,670	S *	10/2020	Hanley .....	D3/243

(Continued)

**FOREIGN PATENT DOCUMENTS**

EM 008832828-0001 \* 1/2022

**OTHER PUBLICATIONS**

“Small Crossbody Purse for Women, Shoulder Cell Phone Bag Zip Around Wallet Clutch Handbag”, first available Nov. 24, 2020, KingTO on Amazon.com, site visited May 24, 2022: [https://www.amazon.com/dp/B08P1V96PC/ref=sspa\\_dk\\_detail\\_9?pf\\_rd\\_p=33c4e3fc-b90b-44ce-8b60-9caf530f918e&pd\\_rd\\_wg=OSccG&pf\\_rd\\_r=61NZPRPZY6CY6Z3GTV6P&pd\\_rd\\_w=uqUbs&pd\\_rd\\_r=de5d947f-bdee-4578-b3d1-3253c1183aa3&s=apparel&spLa=ZW5jc nlwdGVkUXVhbGlmaWVyPUEyR1pUVUIOQ05VU0Y2JmVuY3J5cHRIZEikPUEwMjE1Njc4M1ZNTFRIME9WREhESiZlbnNyeXB0ZWRBZEikPUEwMDExODY3M1ZZQIBXQUhRN1ZINSZ3aWRnZXROYW1IPXNwX2RldGFpbF90aGVtYXRpYyZ3Rpb249Y2xpY2tSZWRpcmVjdCZkb05vdExvZ0NsaWNrPXRydWU&th=1](https://www.amazon.com/dp/B08P1V96PC/ref=sspa_dk_detail_9?pf_rd_p=33c4e3fc-b90b-44ce-8b60-9caf530f918e&pd_rd_wg=OSccG&pf_rd_r=61NZPRPZY6CY6Z3GTV6P&pd_rd_w=uqUbs&pd_rd_r=de5d947f-bdee-4578-b3d1-3253c1183aa3&s=apparel&spLa=ZW5jc nlwdGVkUXVhbGlmaWVyPUEyR1pUVUIOQ05VU0Y2JmVuY3J5cHRIZEikPUEwMjE1Njc4M1ZNTFRIME9WREhESiZlbnNyeXB0ZWRBZEikPUEwMDExODY3M1ZZQIBXQUhRN1ZINSZ3aWRnZXROYW1IPXNwX2RldGFpbF90aGVtYXRpYyZ3Rpb249Y2xpY2tSZWRpcmVjdCZkb05vdExvZ0NsaWNrPXRydWU&th=1) (Year: 2020).\*

(Continued)

*Primary Examiner* — Sheryl Lane  
*Assistant Examiner* — Samantha Lynne Brodowski

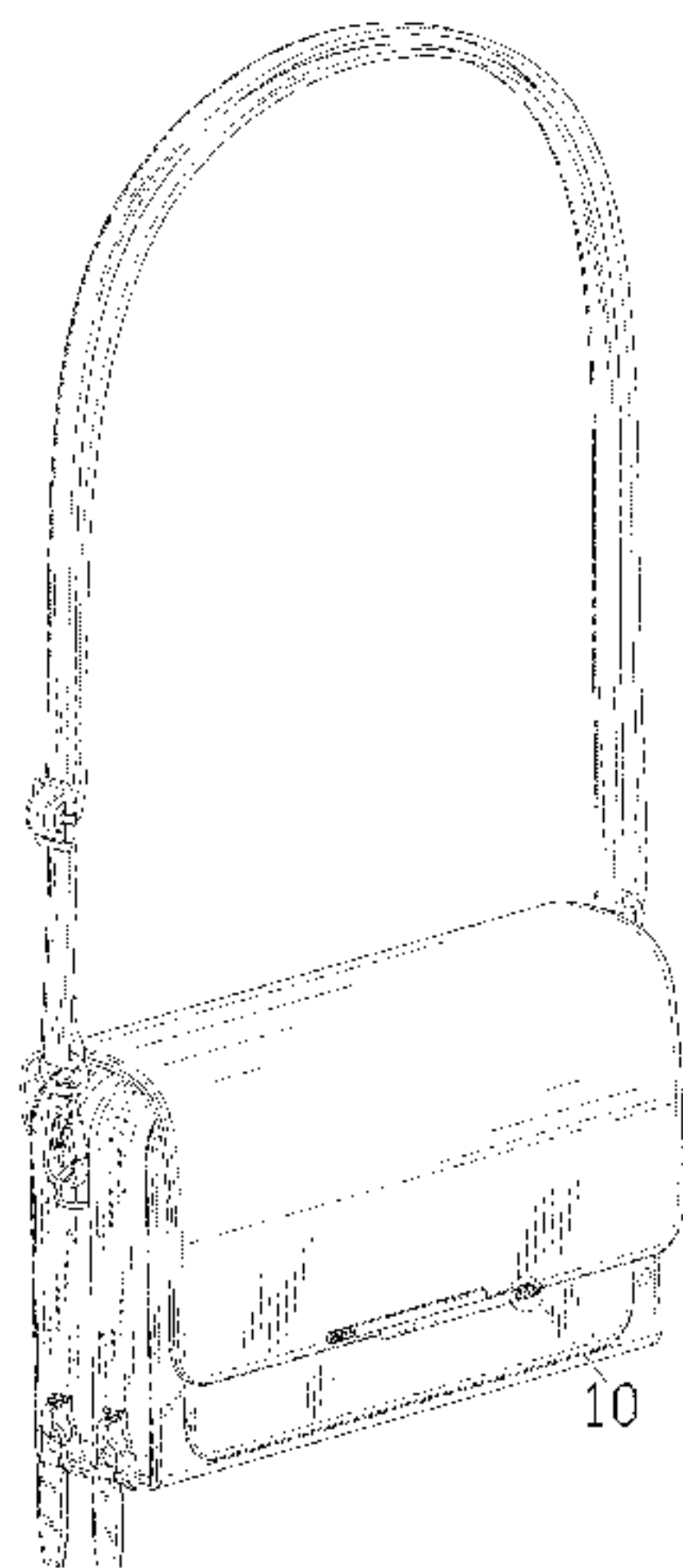
(57) **CLAIM**

The ornamental design for a crossbody bag, as shown and described.

**DESCRIPTION**

FIG. 1 is a perspective view of a crossbody bag showing my new design;  
FIG. 2 is another perspective view thereof;  
FIG. 3 is a front elevational view thereof;  
FIG. 4 is a rear elevational view thereof;  
FIG. 5 is a left side elevational view thereof;  
FIG. 6 is a right side elevational view thereof;  
FIG. 7 is a top plan view thereof;  
FIG. 8 is a bottom plan view thereof;  
FIG. 9 is a perspective view of the crossbody bag where the crossbody bag is in a configuration of use; and,  
FIG. 10 is an enlarged view of portion 10 shown in FIG. 1. The dotted broken lines shown on claimed surfaces depict stitching and form no part of the claimed design. The evenly dashed broken lines surrounding portions of the article shown without any surface shading depict portions of the article and form no part of the claimed design. The dot-dash

(Continued)



broken lines depict the cut line of the enlarged portion and form no part of the claimed design.

**1 Claim, 10 Drawing Sheets**

(56)

**References Cited**

U.S. PATENT DOCUMENTS

- D897,671 S \* 10/2020 Hanley ..... D3/243
- D901,889 S \* 11/2020 Jacobs ..... D3/245

OTHER PUBLICATIONS

“Roulens Small Crossbody Shoulder Bag for Women, Cellphone Bags Card Holder Wallet Purse and Handbags”, first available Aug. 6, 2020, MUIIKOLA on Amazon.com, site visited May 24, 2022: [https://www.amazon.com/Roulens-Crossbody-Shoulder-Handbags-Cellphone/dp/B08FBBMTXG/ref=pd\\_day0fbt\\_img\\_sccl\\_1/143-8579386-3721353?pd\\_rd\\_w=k4lb2&pf\\_rd\\_p=bc8482a-3db5-4b0b-9f15-b86e24acdb00&pf\\_rd\\_r=T9A096JXH95DXDAH484N&pd\\_r=6a962fb6-0dc0-442e-9804-8569609eb846&pd\\_rd\\_wg=w9IXs&pd\\_rd\\_i=B08FBBMTXG&th=1](https://www.amazon.com/Roulens-Crossbody-Shoulder-Handbags-Cellphone/dp/B08FBBMTXG/ref=pd_day0fbt_img_sccl_1/143-8579386-3721353?pd_rd_w=k4lb2&pf_rd_p=bc8482a-3db5-4b0b-9f15-b86e24acdb00&pf_rd_r=T9A096JXH95DXDAH484N&pd_r=6a962fb6-0dc0-442e-9804-8569609eb846&pd_rd_wg=w9IXs&pd_rd_i=B08FBBMTXG&th=1) (Year: 2020)\*

“Sanxiner Crossbody Purse for Women, Stylish Small Shoulder Crossbody Bag, Butterfly Cell Phone Purse with Credit Card Slots”, first available Jun. 19, 2021, Sanxieron Amazon.com, site visited May 24, 2022: [https://www.amazon.com/dp/B097J9JLLJ/ref=sspa\\_dk\\_detail\\_4?pf\\_rd\\_p=33c4e3fc-b90b-44ce-8b60-9caf530f918e&pd\\_rd\\_wg=MMABM&pf\\_rd\\_r=MMHA50PTKZSF03QZ8EHR&pd\\_rd\\_w=LMRCs&pd\\_rd\\_r=132d7142-46f5-4178-a87d-454ac3b38106&s=shoes&spLa=ZW5jcnlwdGVkUXVhbGlmaWVyPUFWN0FFQjlZRIVSQkomZW5jcnlwdGVkSWQ9QTAYnZzA3MTIzRjg3MDhlRkExWDQ3JmVuY3J5cHRlZEFkSWQ9QTA4OTY5NTAxUTILTU1ET1hlQTFRJndpZGdlldE5hbWU9c3BfZGV0YWIsX3RoZW1hdGljJmFjdGlvbj1jbGlja1JlZGlyZW50JmRvTm90TG9nQ2xpY2s9dHJ1ZQ&th=1](https://www.amazon.com/dp/B097J9JLLJ/ref=sspa_dk_detail_4?pf_rd_p=33c4e3fc-b90b-44ce-8b60-9caf530f918e&pd_rd_wg=MMABM&pf_rd_r=MMHA50PTKZSF03QZ8EHR&pd_rd_w=LMRCs&pd_rd_r=132d7142-46f5-4178-a87d-454ac3b38106&s=shoes&spLa=ZW5jcnlwdGVkUXVhbGlmaWVyPUFWN0FFQjlZRIVSQkomZW5jcnlwdGVkSWQ9QTAYnZzA3MTIzRjg3MDhlRkExWDQ3JmVuY3J5cHRlZEFkSWQ9QTA4OTY5NTAxUTILTU1ET1hlQTFRJndpZGdlldE5hbWU9c3BfZGV0YWIsX3RoZW1hdGljJmFjdGlvbj1jbGlja1JlZGlyZW50JmRvTm90TG9nQ2xpY2s9dHJ1ZQ&th=1) (Year: 2021).\*

“LIZHIGU Small Crossbody Bags for Women Cell Phone Wallet Purse and Handbags with Shoulder Strap”, first available Jun. 24, 2021, LIZHIGU on Amazon.com, site visited May 24, 2022: [https://www.amazon.com/LIZHIGU-Crossbody-Wallet-Shoulder-Cellphone/dp/B097STGPPY/ref=sr\\_1\\_38?crd=269NYSZEN556E&keywords=forever%2Byoung%2Bbag&qid=1653415299&sprefix=forever%2Byoung%2Bbag%2Caps%2C90&sr=8-38&th=1](https://www.amazon.com/LIZHIGU-Crossbody-Wallet-Shoulder-Cellphone/dp/B097STGPPY/ref=sr_1_38?crd=269NYSZEN556E&keywords=forever%2Byoung%2Bbag&qid=1653415299&sprefix=forever%2Byoung%2Bbag%2Caps%2C90&sr=8-38&th=1) (Year: 2021).\*

\* cited by examiner

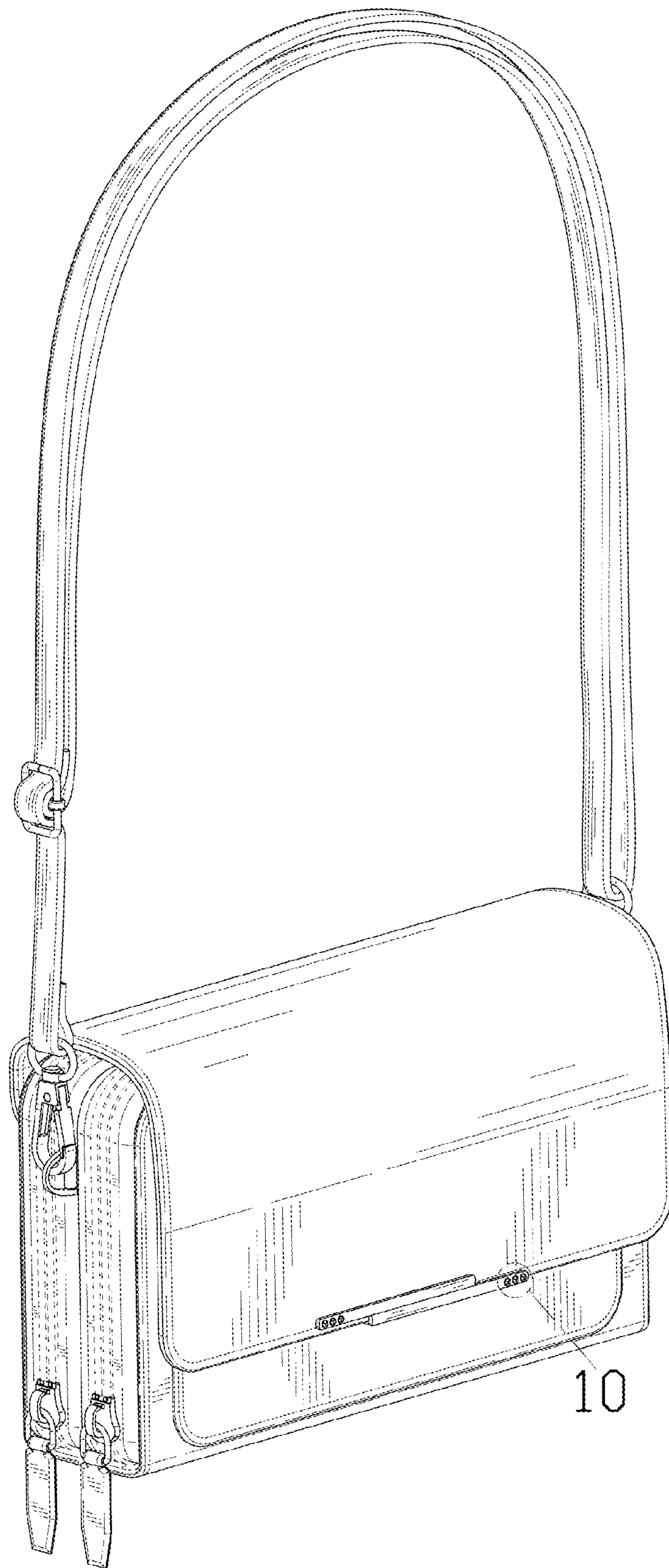


FIG. 1



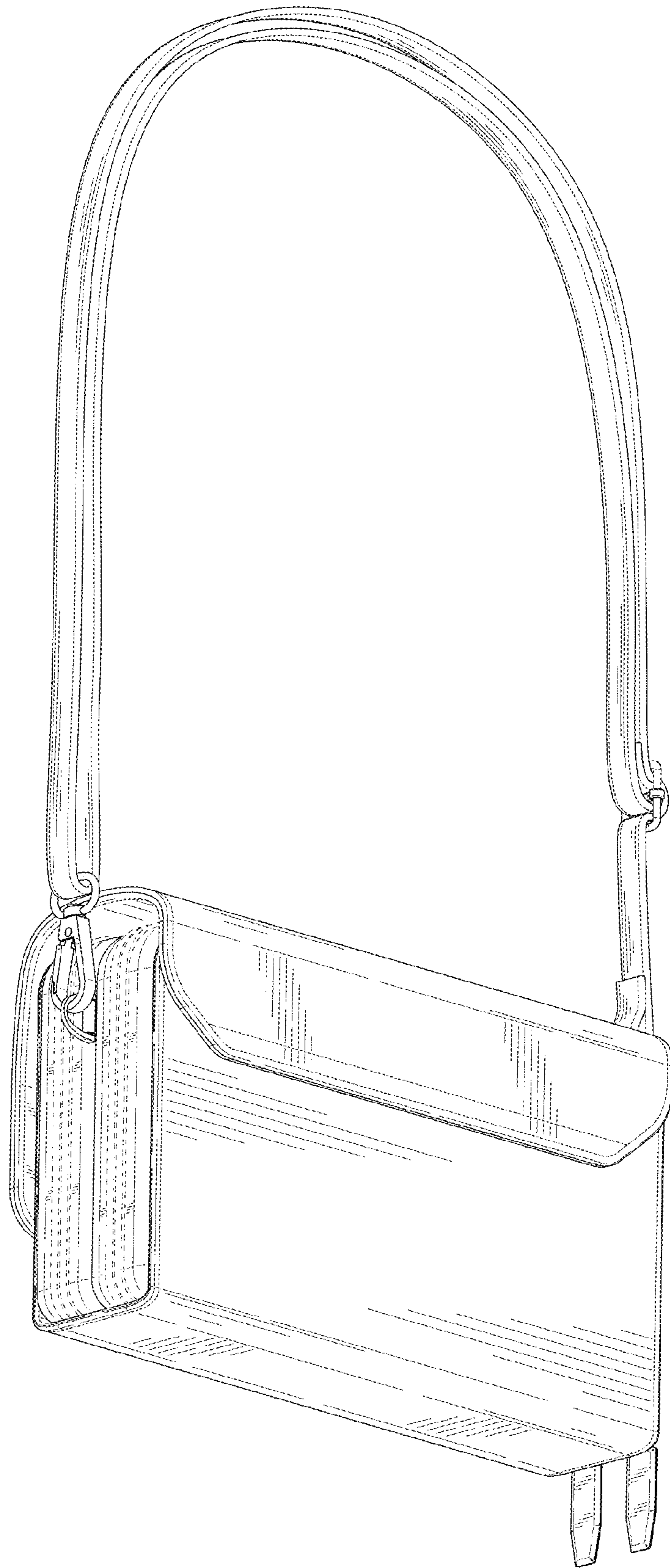


FIG. 2

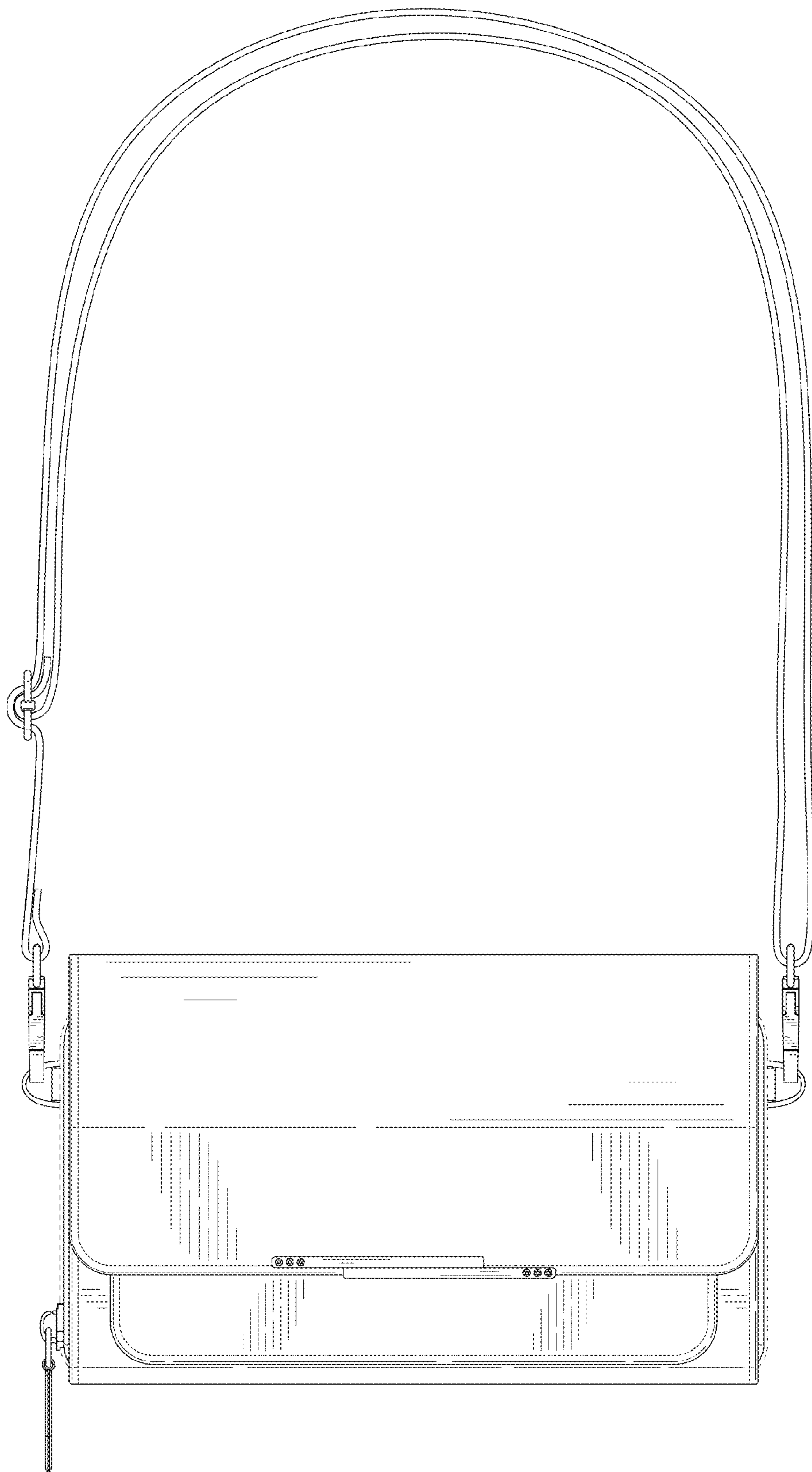


FIG. 3

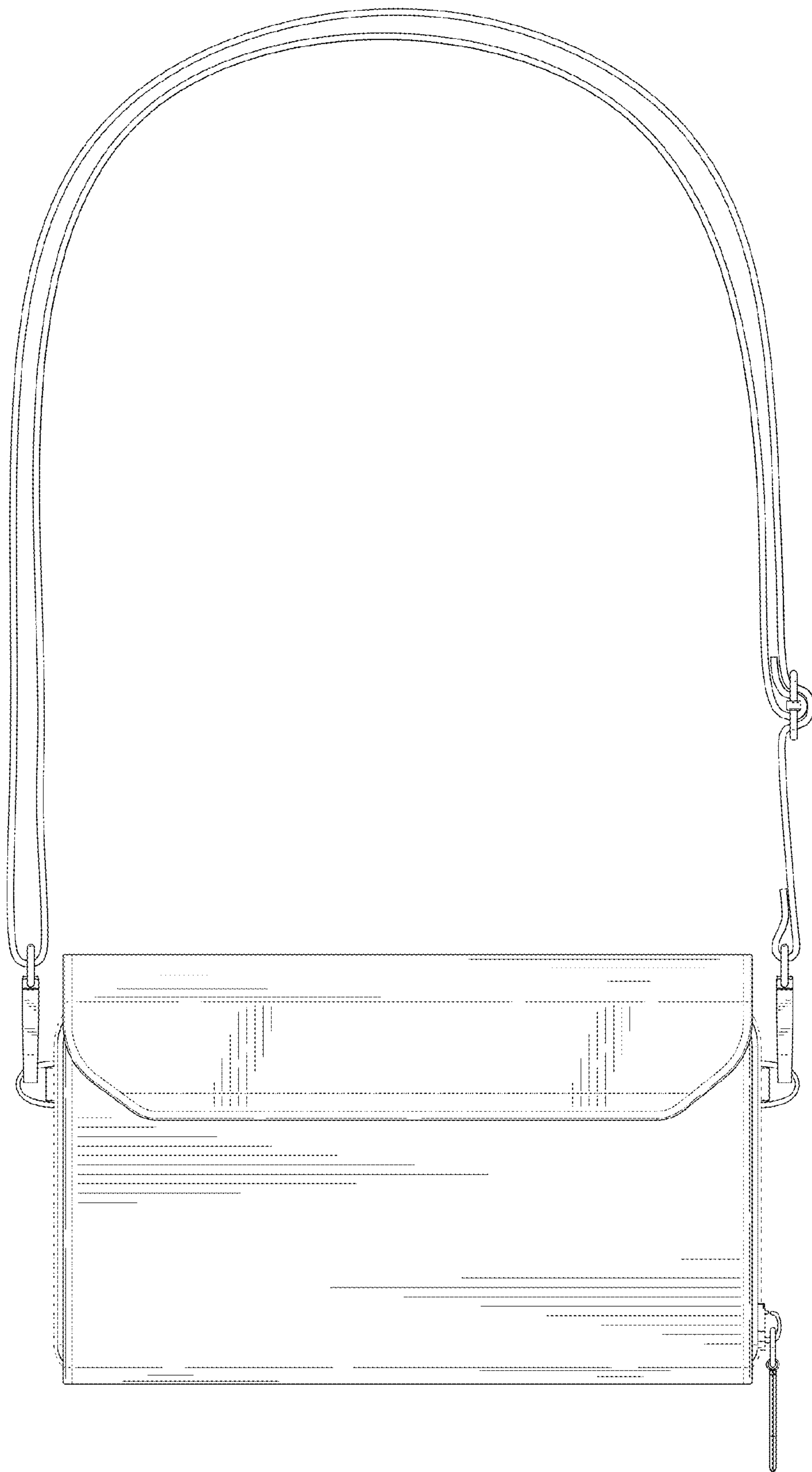


FIG. 4

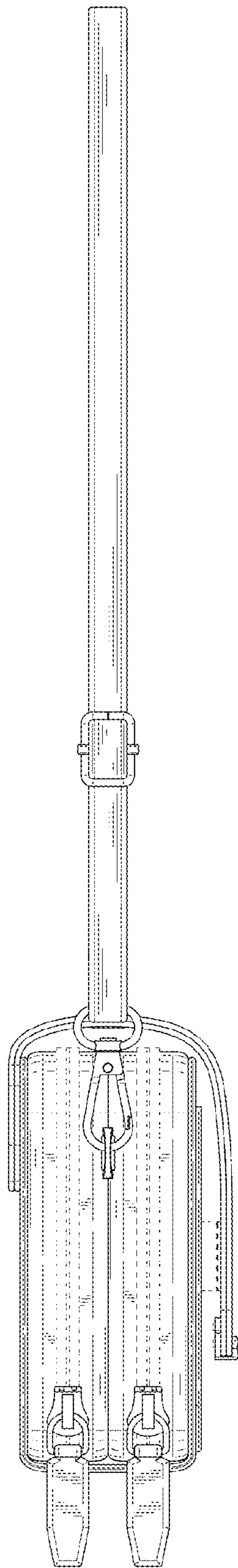


FIG. 5

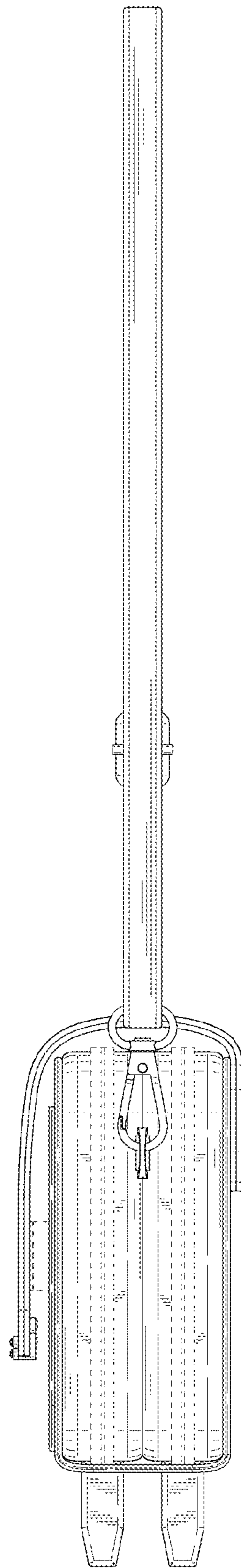


FIG. 6



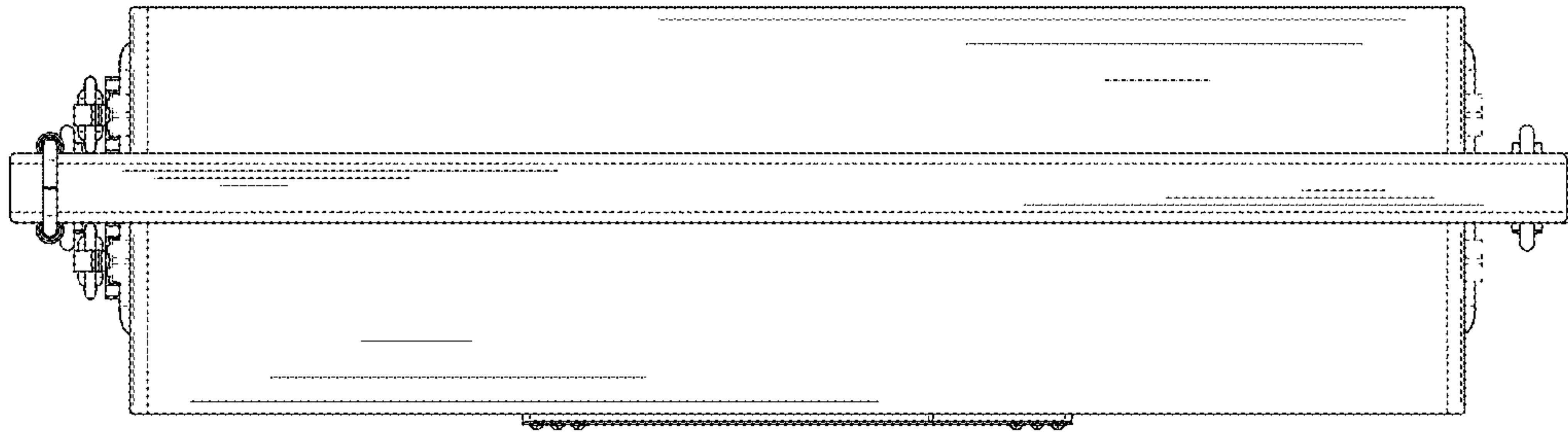


FIG. 7

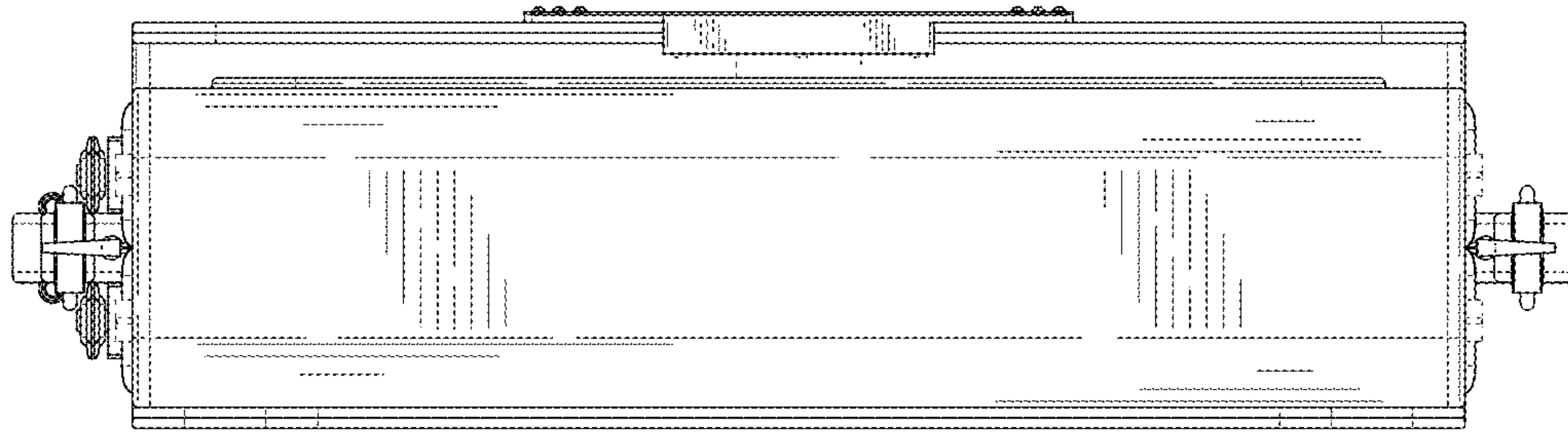


FIG. 8

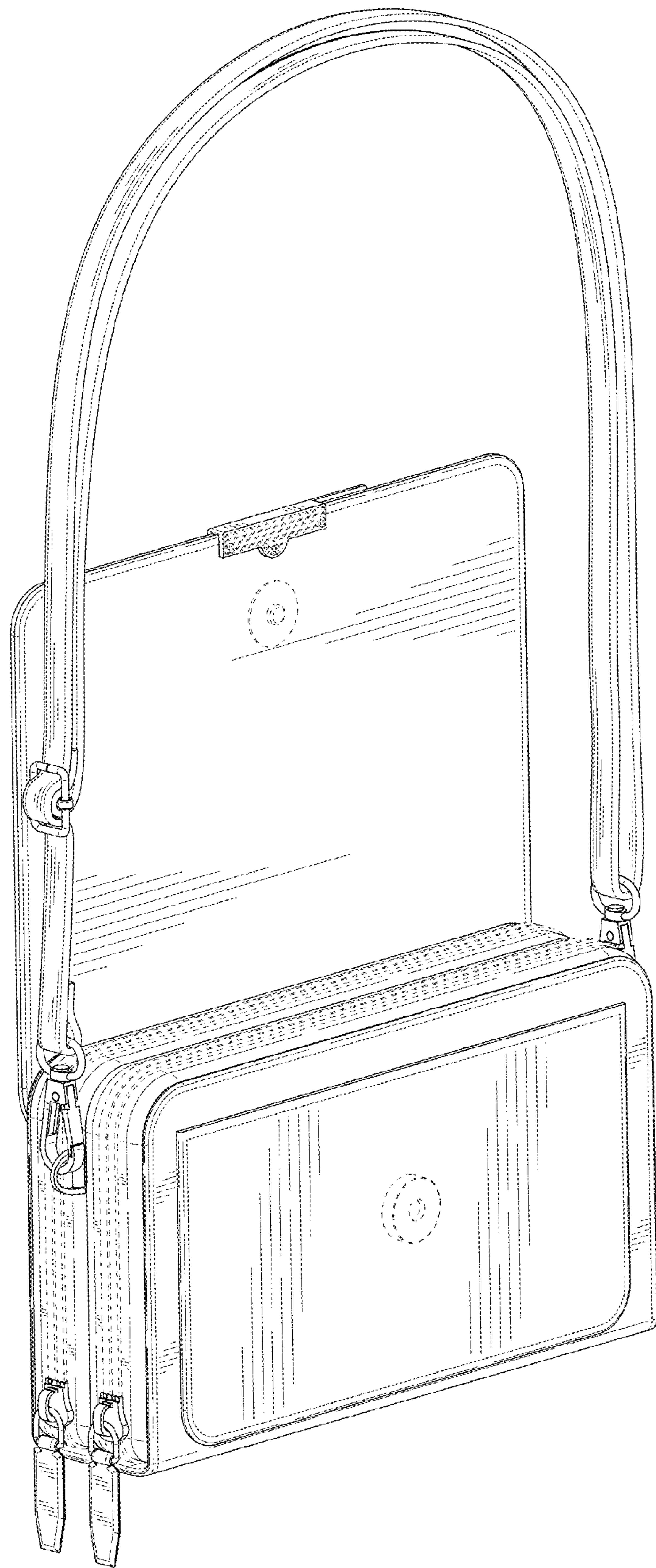


FIG. 9

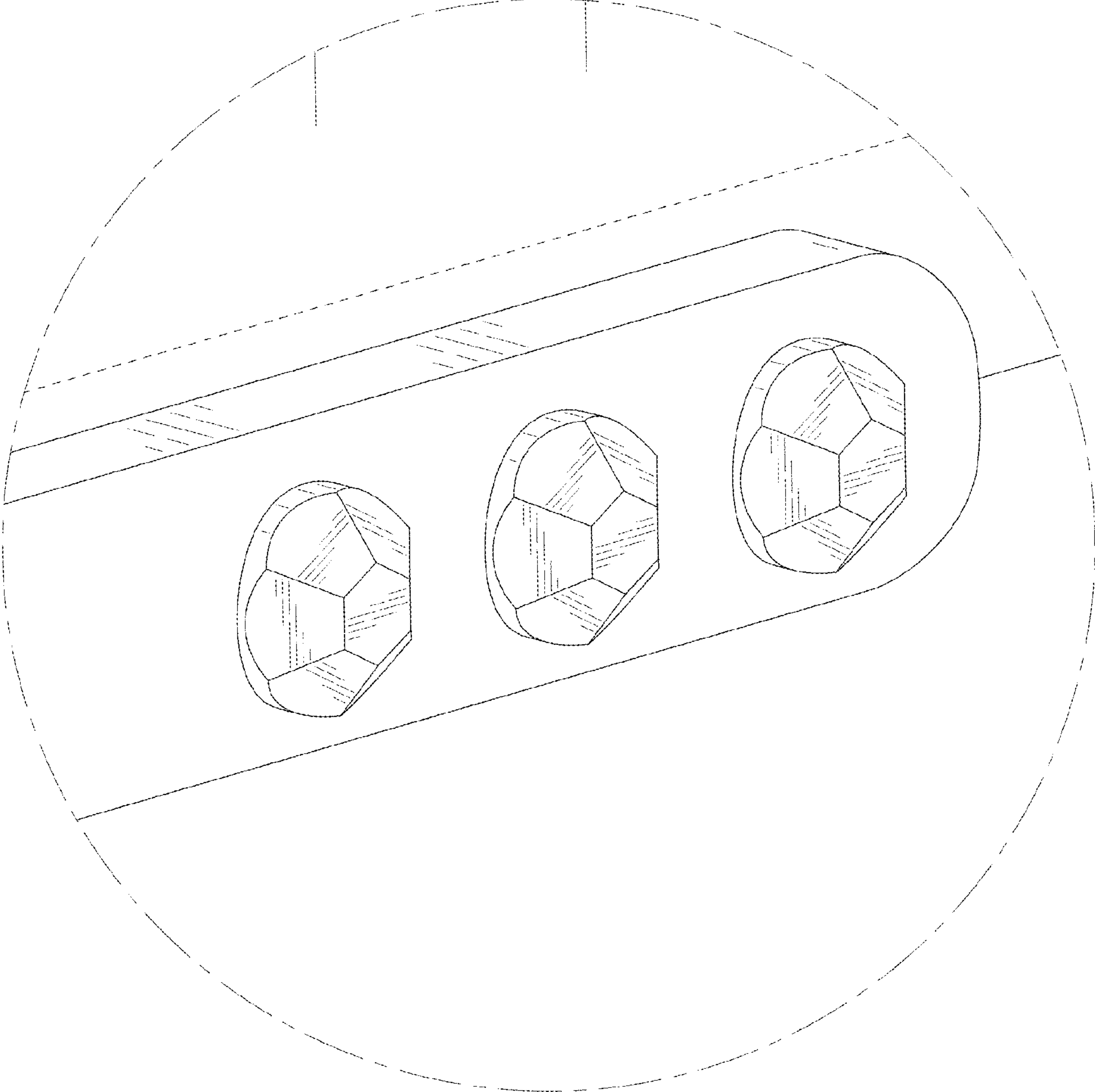


FIG. 10