



US00D966699S

(12) **United States Design Patent** (10) **Patent No.:** **US D966,699 S**
You (45) **Date of Patent:** **** Oct. 18, 2022**

(54) **PADDLE FOR HOLSTER**
(71) Applicant: **Xiaoli You**, ShenZhen (CN)
(72) Inventor: **Xiaoli You**, ShenZhen (CN)
(**) Term: **15 Years**
(21) Appl. No.: **29/809,802**
(22) Filed: **Oct. 12, 2021**
(51) **LOC (13) Cl.** **03-01**
(52) **U.S. Cl.**
USPC **D3/222**
(58) **Field of Classification Search**
USPC D3/215, 218, 222-224, 262;
D22/108-109
CPC F41C 33/0236; F41C 33/0254; F41C
33/0263; F41C 33/0227; F41C 33/041;
F41C 33/048; F41C 33/0209; F41C 35/02
See application file for complete search history.

11,378,356 B2 * 7/2022 Treto F41C 33/04
2019/0219359 A1 * 7/2019 Rogers F41C 33/043
2020/0292273 A1 * 9/2020 Shearer F41C 33/0263

FOREIGN PATENT DOCUMENTS

CN 303173516 * 4/2015
CN 304660337 * 6/2018
CN 305257994 * 7/2019
CN 305414985 * 11/2019
CN 306850606 * 9/2021
CN 306924613 * 11/2021
CN 307445468 * 7/2022

* cited by examiner

Primary Examiner — Mary Shannon Malley
Assistant Examiner — Christopher John Suarez La Rosa

(57) **CLAIM**

The ornamental design for a paddle for holster, as shown and described.

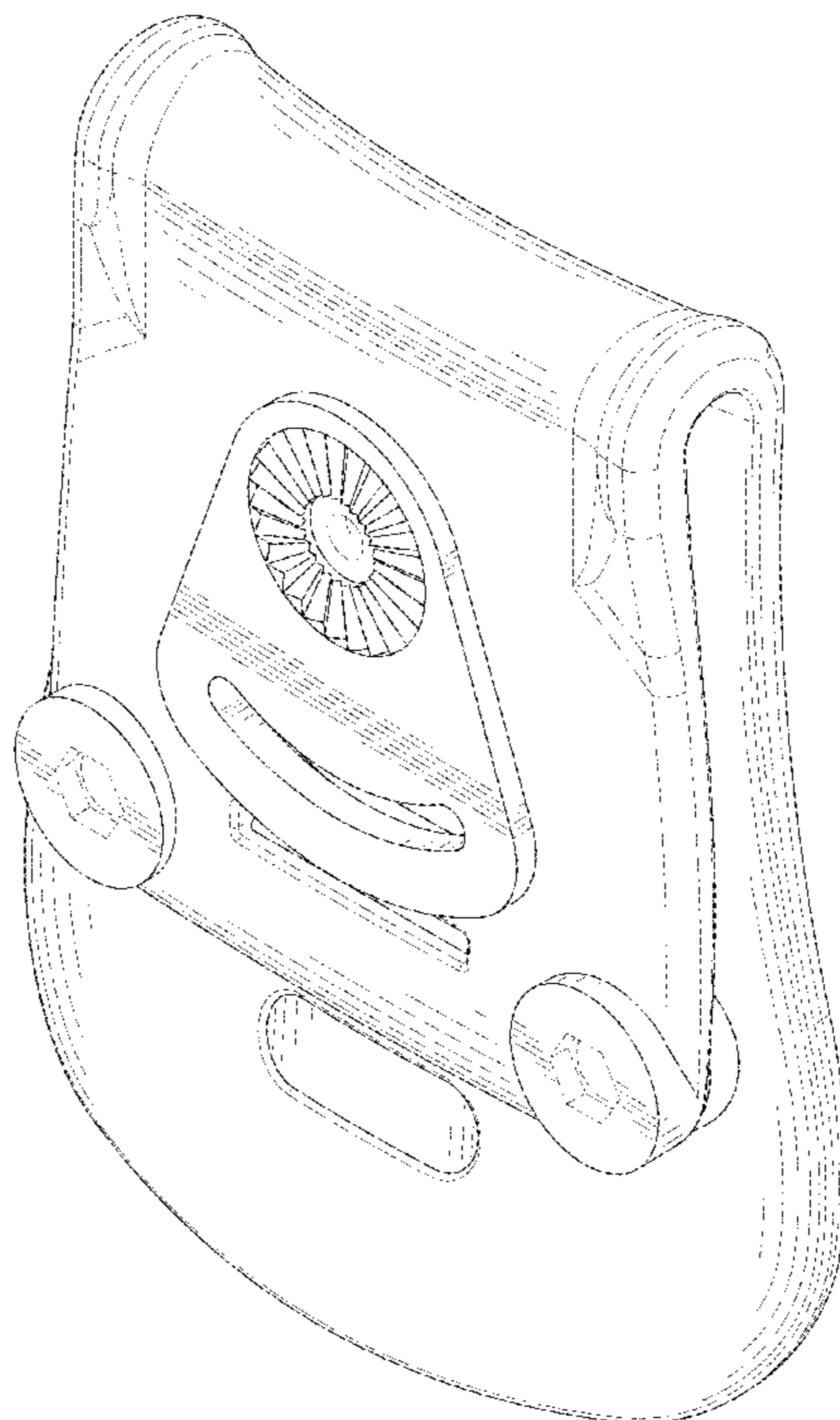
DESCRIPTION

FIG. 1 is a front and top perspective view of a paddle for holster, showing my new design;
FIG. 2 is a rear and bottom perspective view thereof;
FIG. 3 is a front elevation view thereof;
FIG. 4 is a rear elevation view thereof;
FIG. 5 is a left side elevation view thereof;
FIG. 6 is a right side elevation view thereof;
FIG. 7 is a top plan view thereof; and,
FIG. 8 is a bottom plan view thereof.
The broken lines in the figures illustrate portions of the paddle for holster that form no part of the claimed design.

1 Claim, 8 Drawing Sheets

(56) **References Cited**
U.S. PATENT DOCUMENTS

6,752,300 B2 * 6/2004 Har-Shen F41C 33/0263
224/244
D508,318 S * 8/2005 Gregory D3/222
D603,160 S * 11/2009 Zusman D3/222
D653,848 S * 2/2012 Alstrom D3/222
D724,314 S * 3/2015 Faifer D3/222
D745,776 S * 12/2015 Perreault D3/215
9,310,162 B2 * 4/2016 Vertreese F41A 15/14
D835,398 S * 12/2018 Wilson D3/222
D895,274 S * 9/2020 Dara D3/222
D899,082 S * 10/2020 Rodriguez D3/265



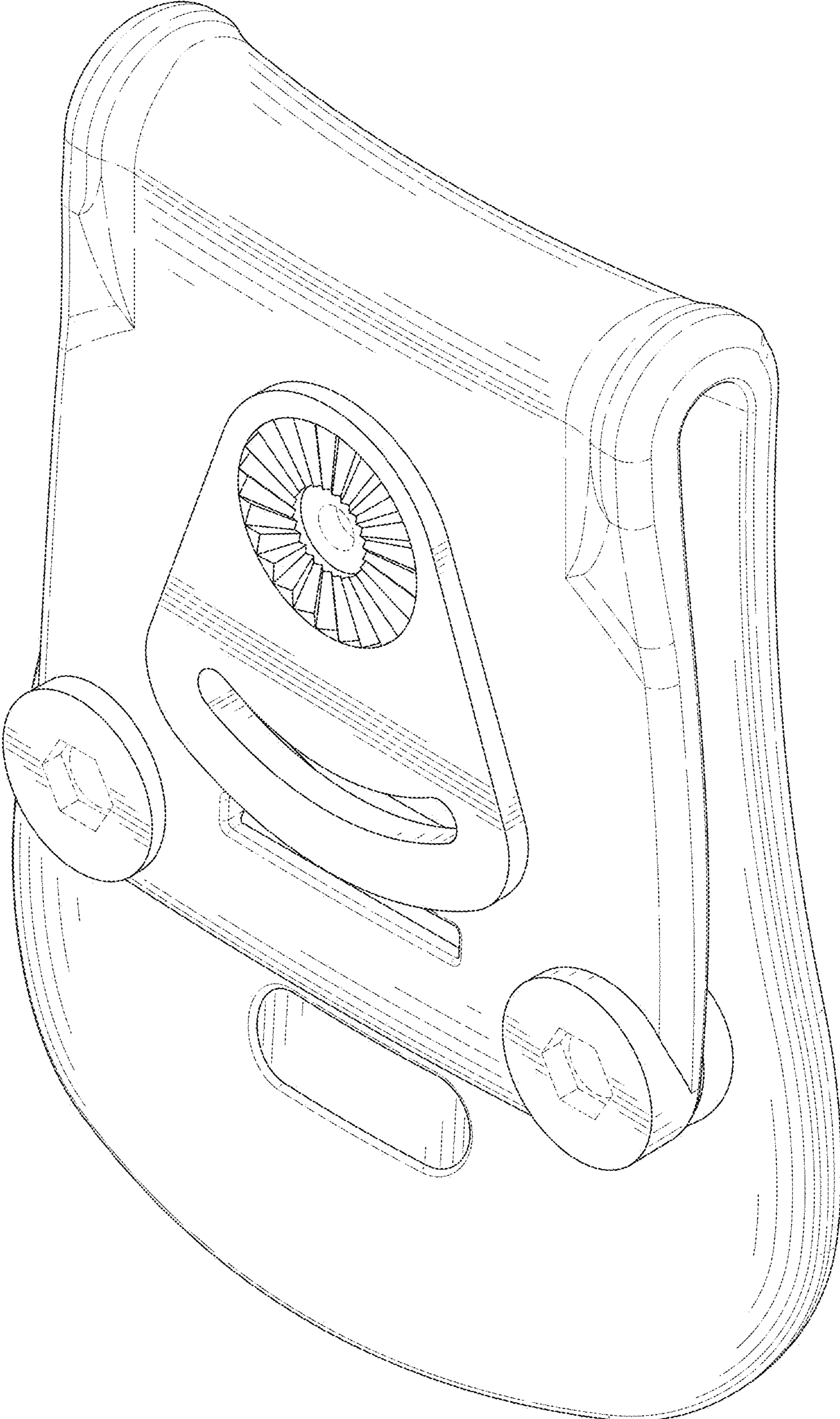


FIG. 1

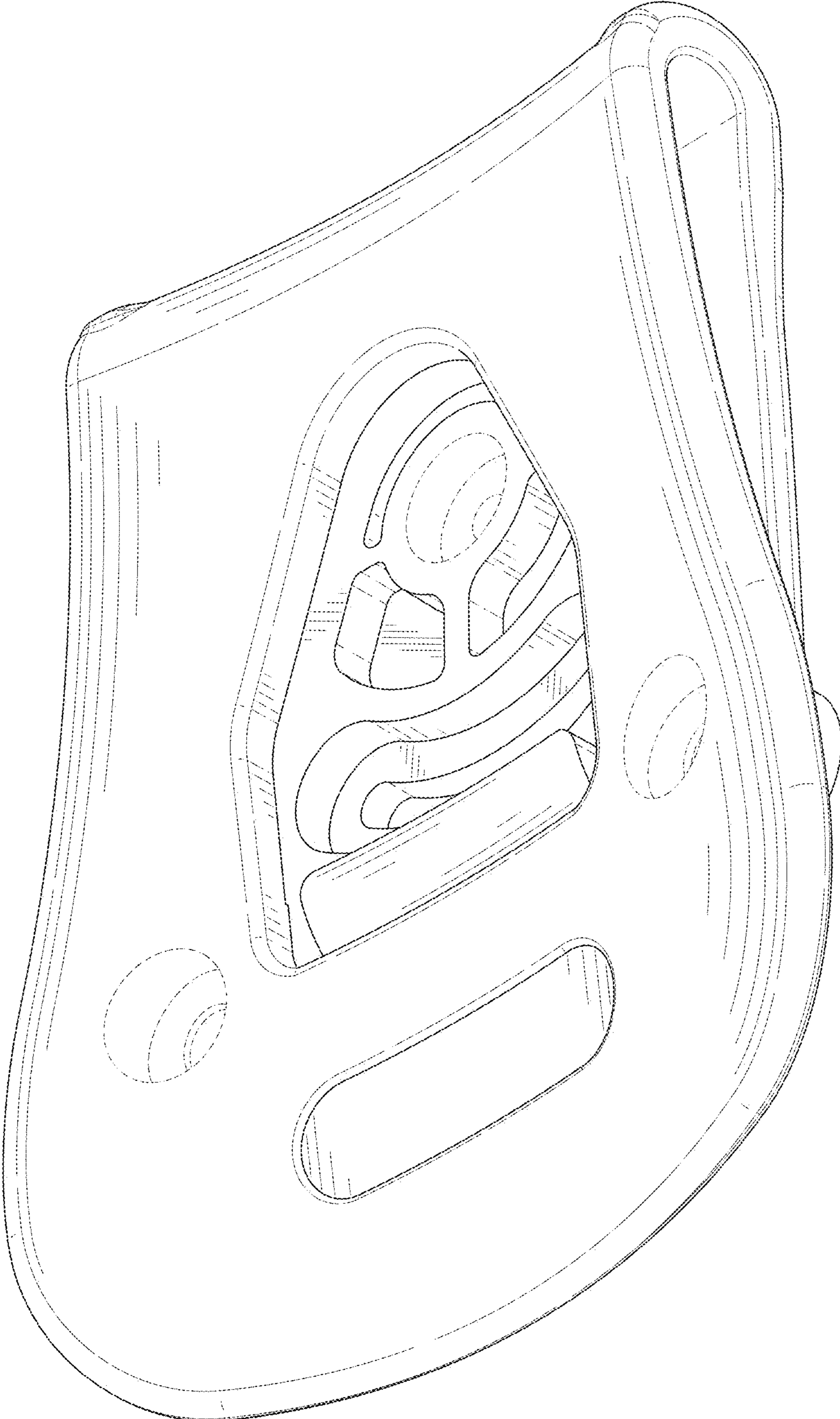


FIG. 2

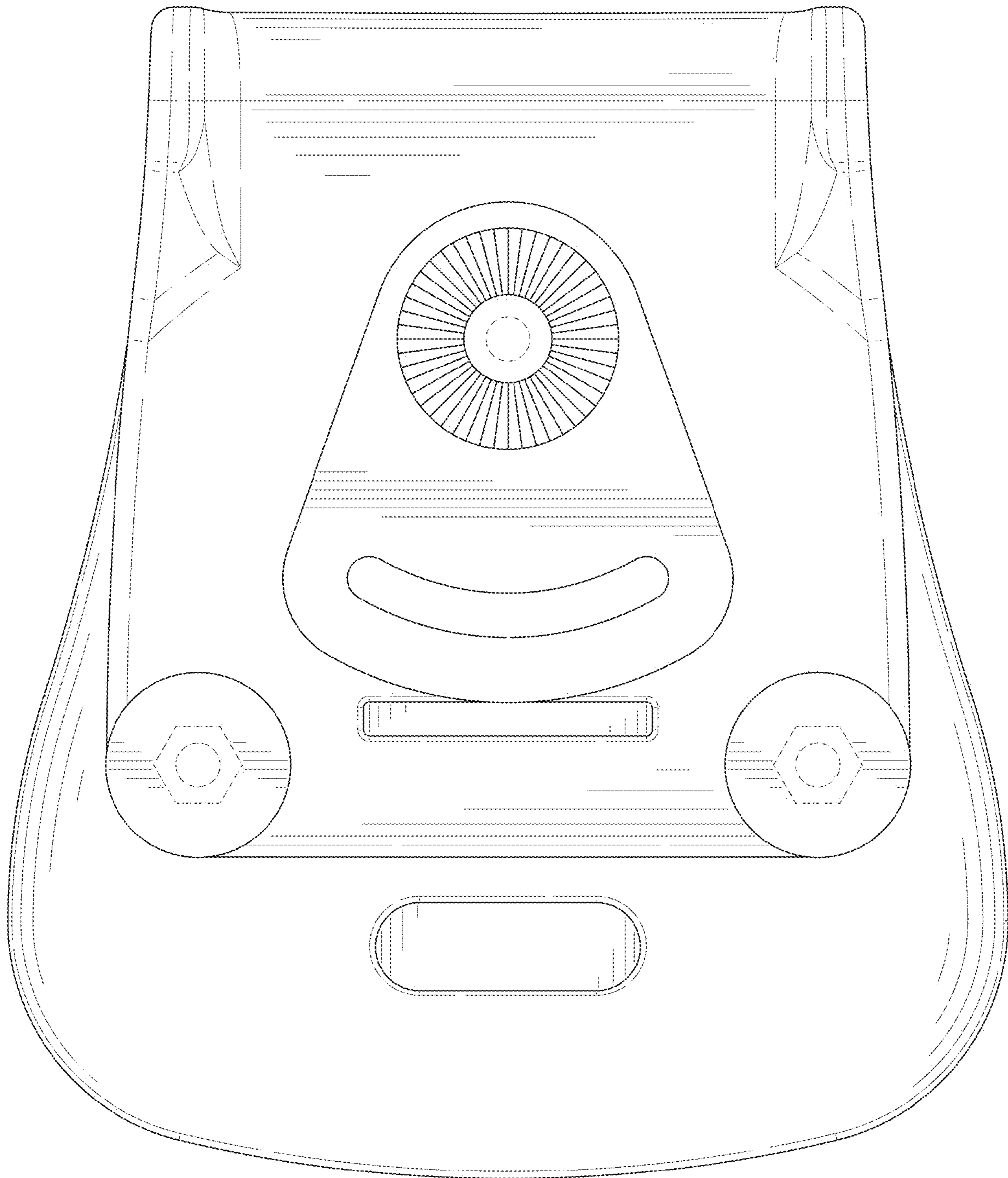


FIG. 3

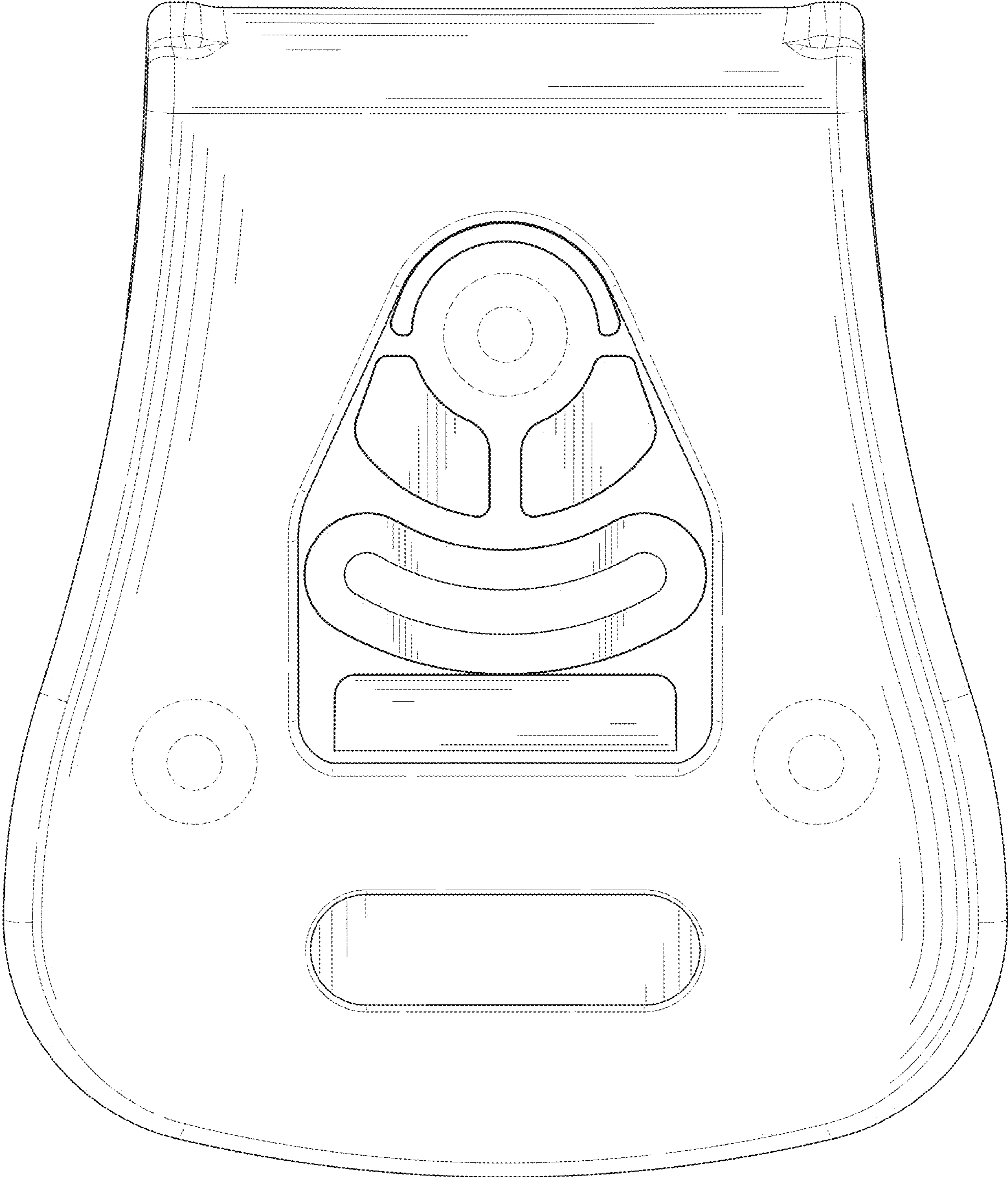


FIG. 4

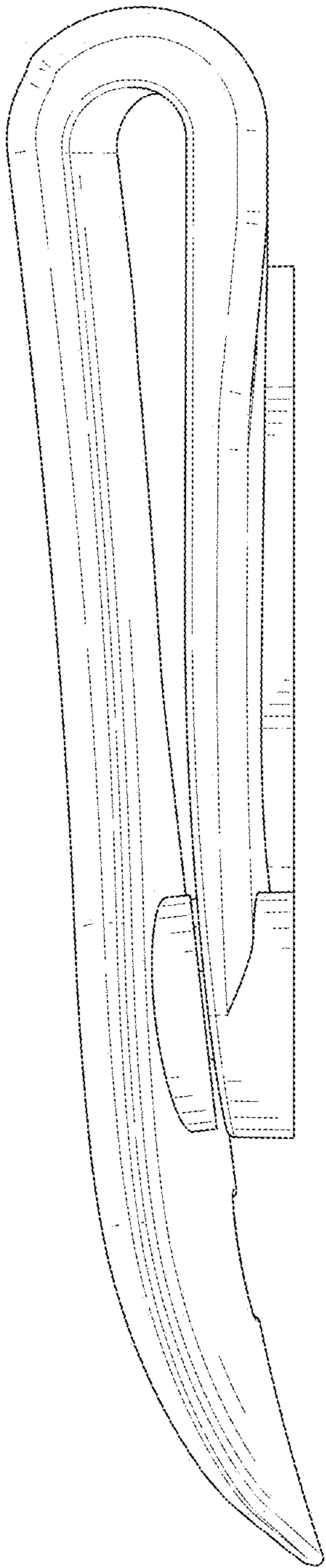


FIG. 5

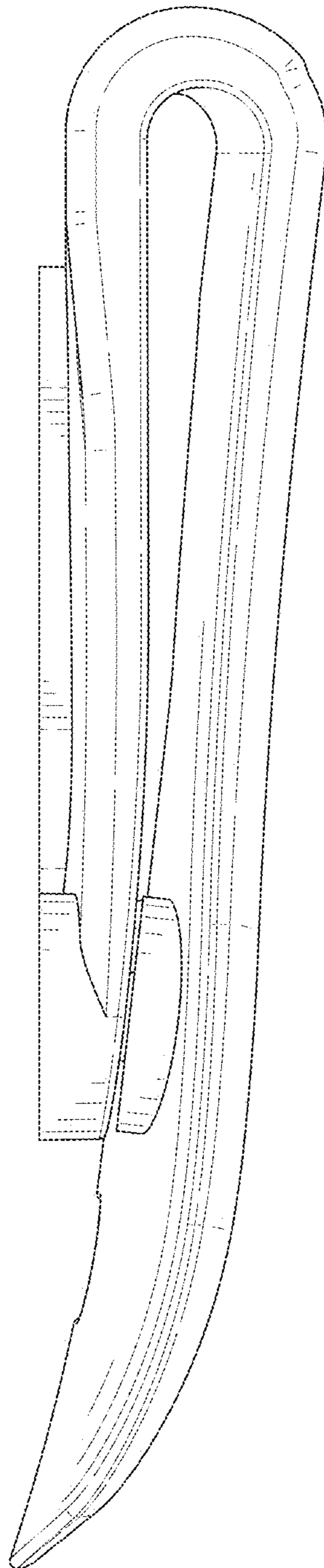


FIG. 6

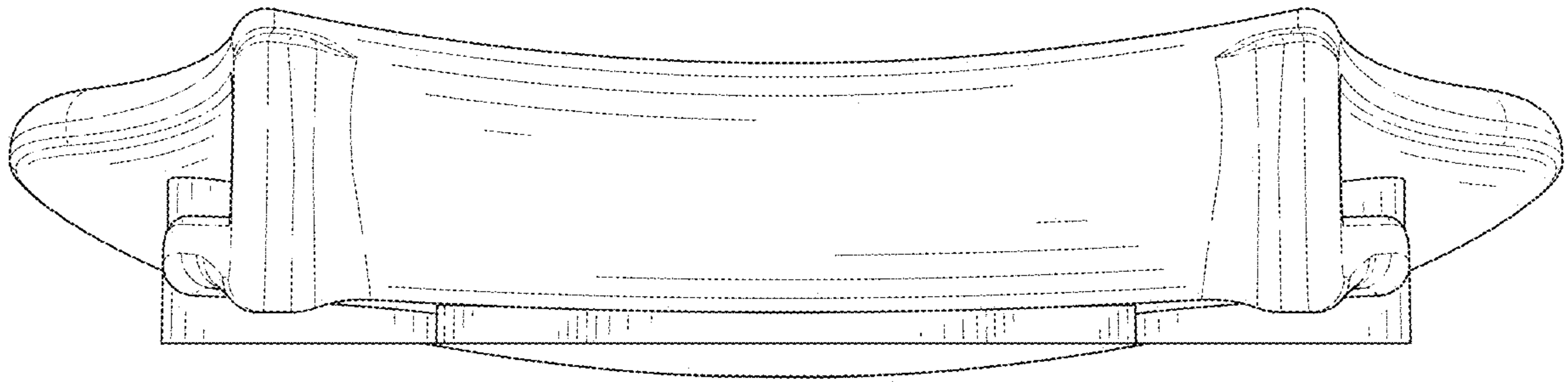


FIG. 7

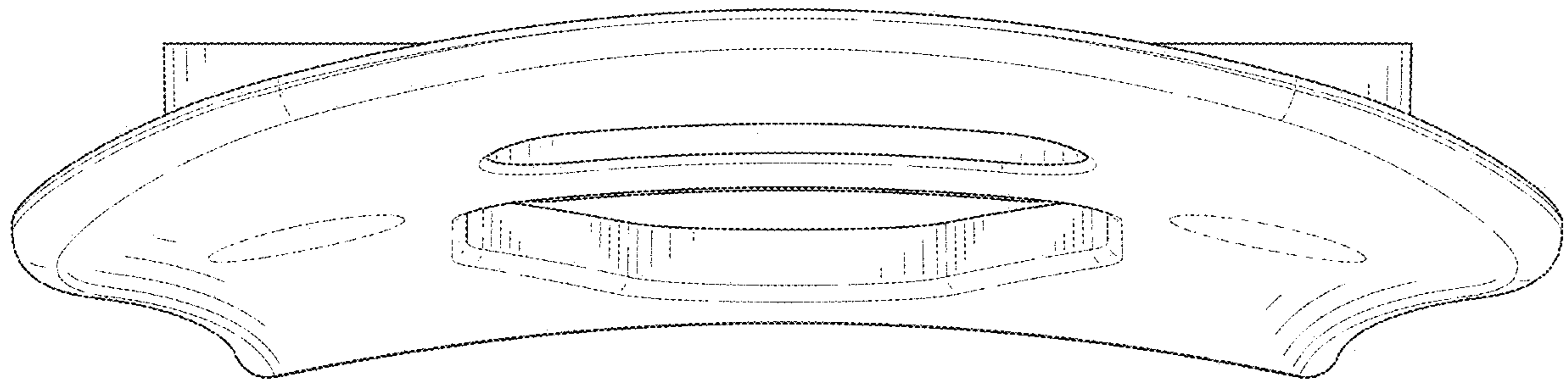


FIG. 8