



US00D966698S

(12) **United States Design Patent**
Chen

(10) **Patent No.:** **US D966,698 S**
(45) **Date of Patent:** **** Oct. 18, 2022**

(54) **MEDICATION CASE**

(71) Applicant: **Changsha Yuwen Network Technology Co., Ltd.**, Changsha (CN)

(72) Inventor: **Junyuan Chen**, Changsha (CN)

(73) Assignee: **HAIKOU LILI INVESTMENT CO., LTD.**, Haikou (CN)

(**) Term: **15 Years**

(21) Appl. No.: **29/794,713**

(22) Filed: **Jun. 15, 2021**

(51) **LOC (13) Cl.** **03-01**

(52) **U.S. Cl.**
USPC **D3/203.3; D3/203.1; D9/432**

(58) **Field of Classification Search**
USPC D3/203.1, 203.2, 203.3, 201, 203.4, D3/203.5, 203.6, 203.7, 203.8, 272, 273, D3/901-905, 302, 276, 294, 295, 298; D24/224; D6/515; D9/420-424, 432, D9/529, 756, 757, 759; D99/28; D14/214, 314; D7/615, 629
CPC A61J 1/00; A61J 7/04; B65D 43/20; B65D 50/04; B65D 83/04; A47F 3/0404
See application file for complete search history.

(56) **References Cited**

U.S. PATENT DOCUMENTS

- 4,872,559 A * 10/1989 Schoon A61J 7/0084
206/561
- 8,333,281 B2 * 12/2012 Saltsov B65D 83/0445
220/348
- D821,867 S * 7/2018 Oligschlaeger D9/422
- 10,683,137 B2 * 6/2020 Hawry B65D 21/086
- D919,283 S * 5/2021 Guo D3/203.3
- D933,353 S * 10/2021 Chen D3/203.3

(Continued)

FOREIGN PATENT DOCUMENTS

CN 305213368 * 6/2019
GB 2022543 * 6/1992

OTHER PUBLICATIONS

Amazon.com, Site visited Aug. 8, 2022, Mind Reader Store Coffee Pod Drawer, Oldest photo review dated Aug. 14, 2014, <https://www.amazon.com/Mind-Reader-Storage-Nespresso-Capsules/dp/B00IR97HIO> (Year: 2014).*

(Continued)

Primary Examiner — Brett Miller
Assistant Examiner — Jessica M Gebhart
(74) *Attorney, Agent, or Firm* — IPRO, PLLC; Na Xu

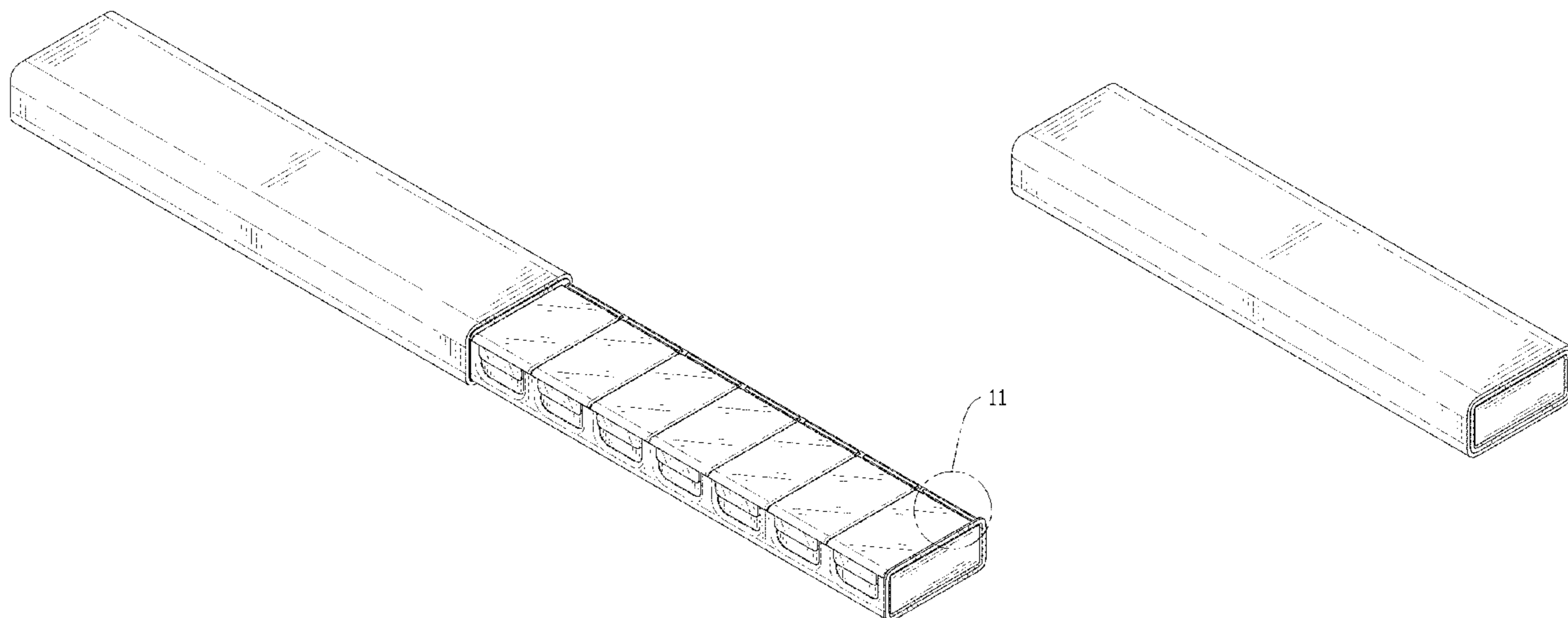
(57) **CLAIM**

The ornamental design for a medication case, as shown and described.

DESCRIPTION

FIG. 1 is a perspective view of an ornamental design for a medication case showing our new design; FIG. 2 is another perspective view of the medication case; FIG. 3 is a front view of the medication case; FIG. 4 is a rear view of the medication case; FIG. 5 is a left side view of the medication case; FIG. 6 is a right side view of the medication case; FIG. 7 is a top view of the medication case; FIG. 8 is a bottom view of the medication case; FIG. 9 is a perspective view of the medication case in its closed state; FIG. 10 is a perspective view of the medication case showing the inner case completely removed from the outer case; and, FIG. 11 is an enlarged view of the portion surrounded by the dash-dot line in FIG. 1. The broken lines in the drawings depict portions of the medication case that form no part of the claimed design.

1 Claim, 11 Drawing Sheets



(56)

References Cited

U.S. PATENT DOCUMENTS

D943,411 S * 2/2022 Glassman D9/432
2017/0119044 A1 * 5/2017 Oligschlaeger B65D 25/04

OTHER PUBLICATIONS

Amazon.com, Site visited Aug. 3, 2022, Mimi Medcessories Store 7 Day Pillbox, First available Mar. 9, 2018, <https://www.amazon.com/Organizer-Prenatal-Supplements-Pregnancy-Champagne/dp/B07BBY539C> (Year: 2018).*

Amazon.com. Site visited Aug. 3, 2022, Higherhuman 7 Day Weekly Pill Organizer, First Available Jun. 2, 2020, <https://www.amazon.com/Day-Weekly-Pill-Organizer-mbarc/dp/B0887JDTYK> (Year: 2020).*

* cited by examiner

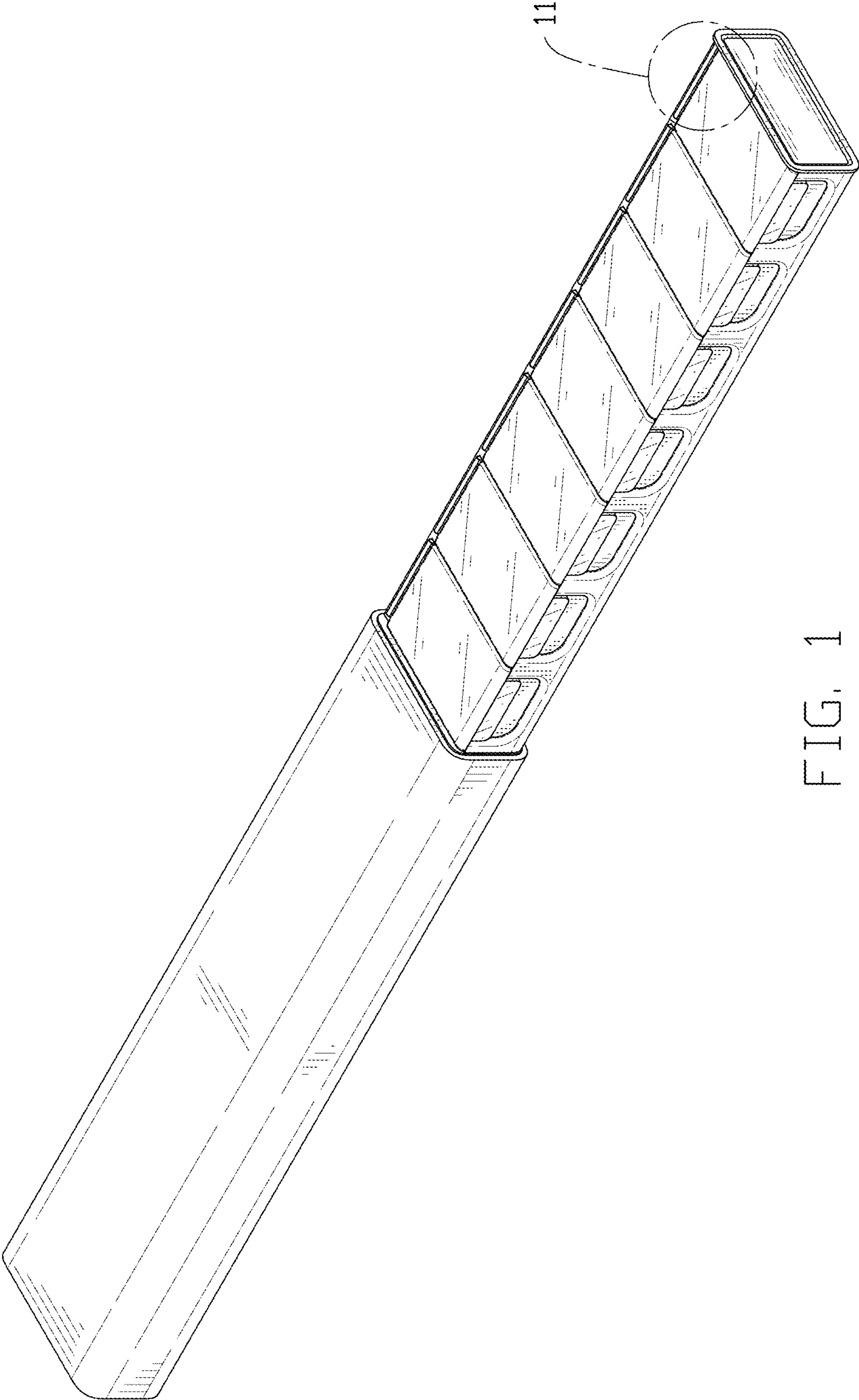


FIG. 1

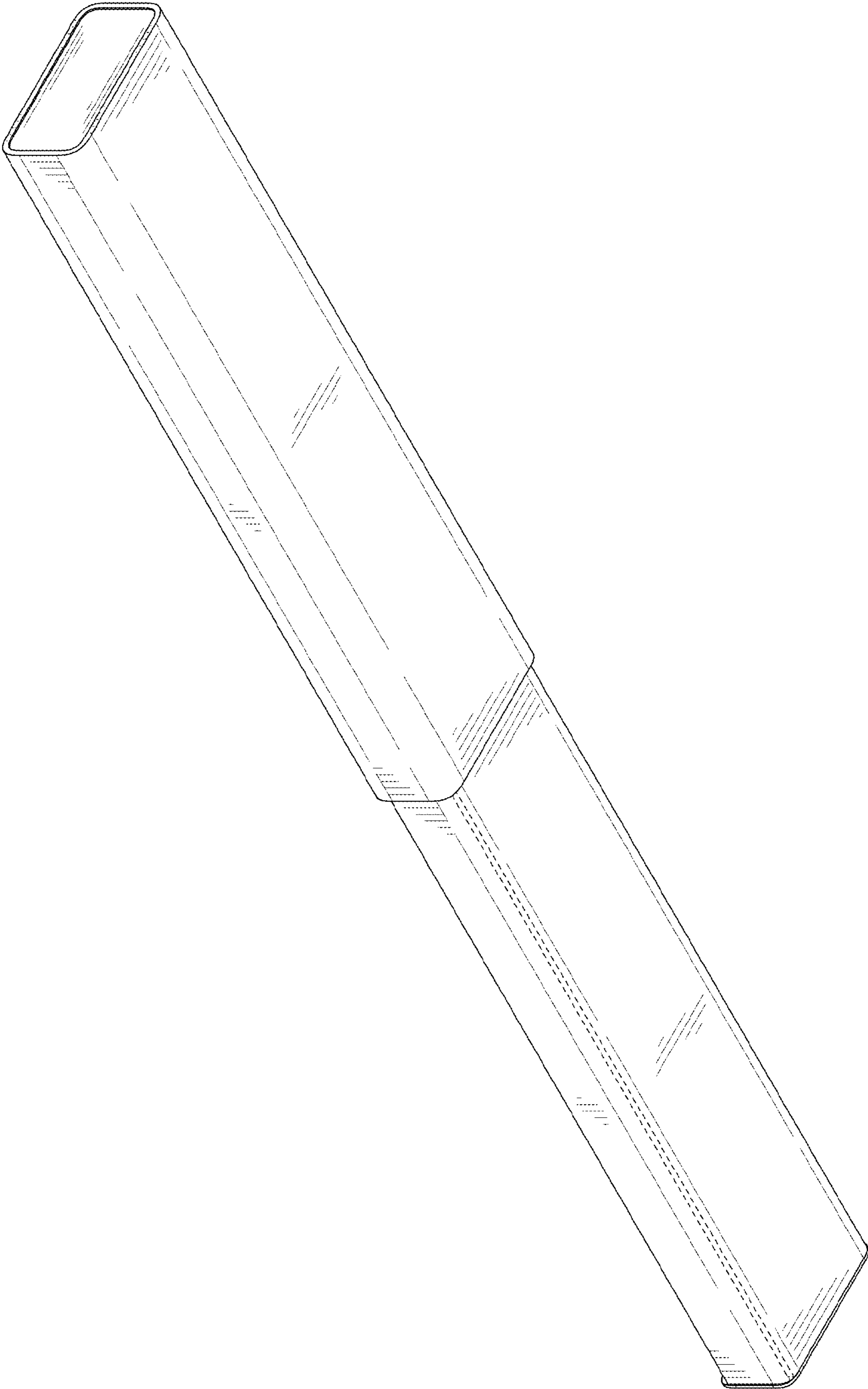


FIG. 2

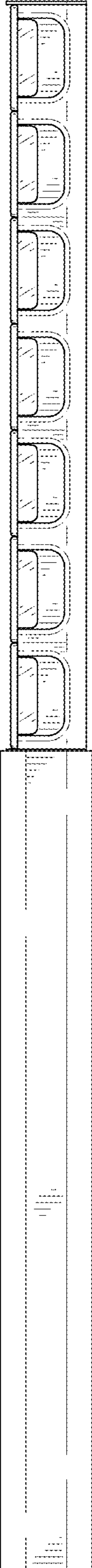


FIG. 3

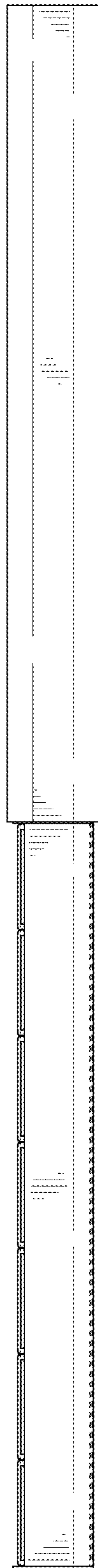


FIG. 4

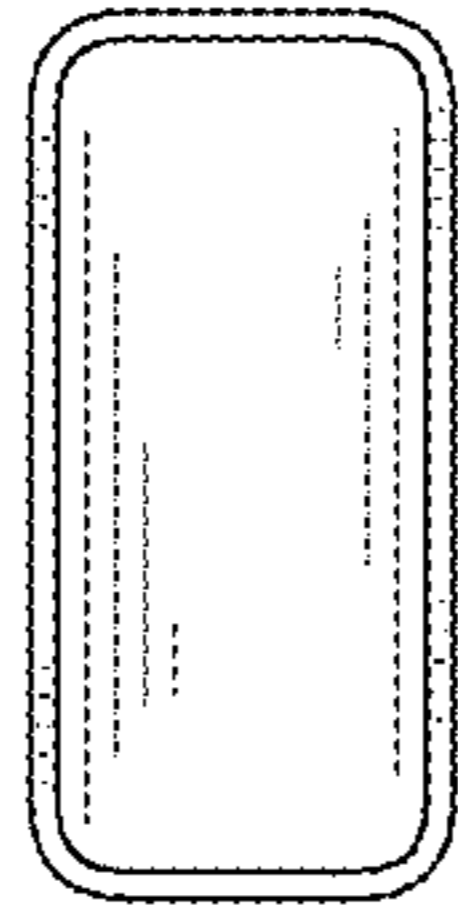


FIG. 5

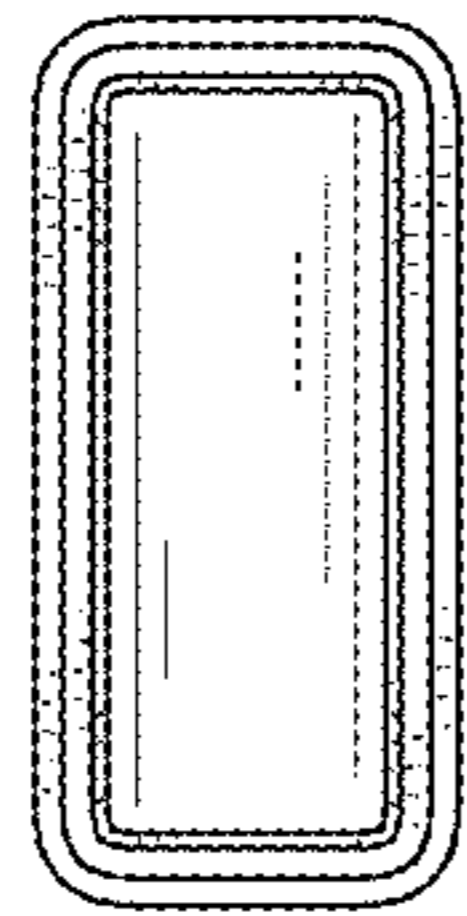


FIG. 6

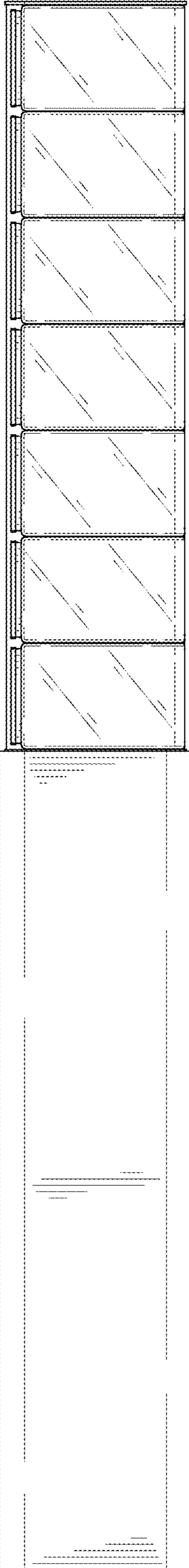


FIG. 7

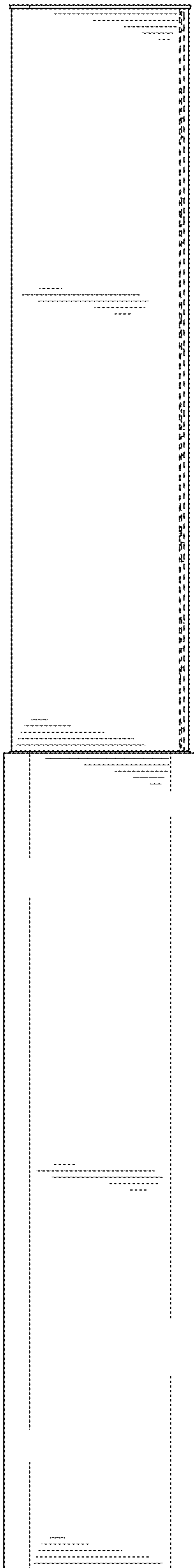


FIG. 8

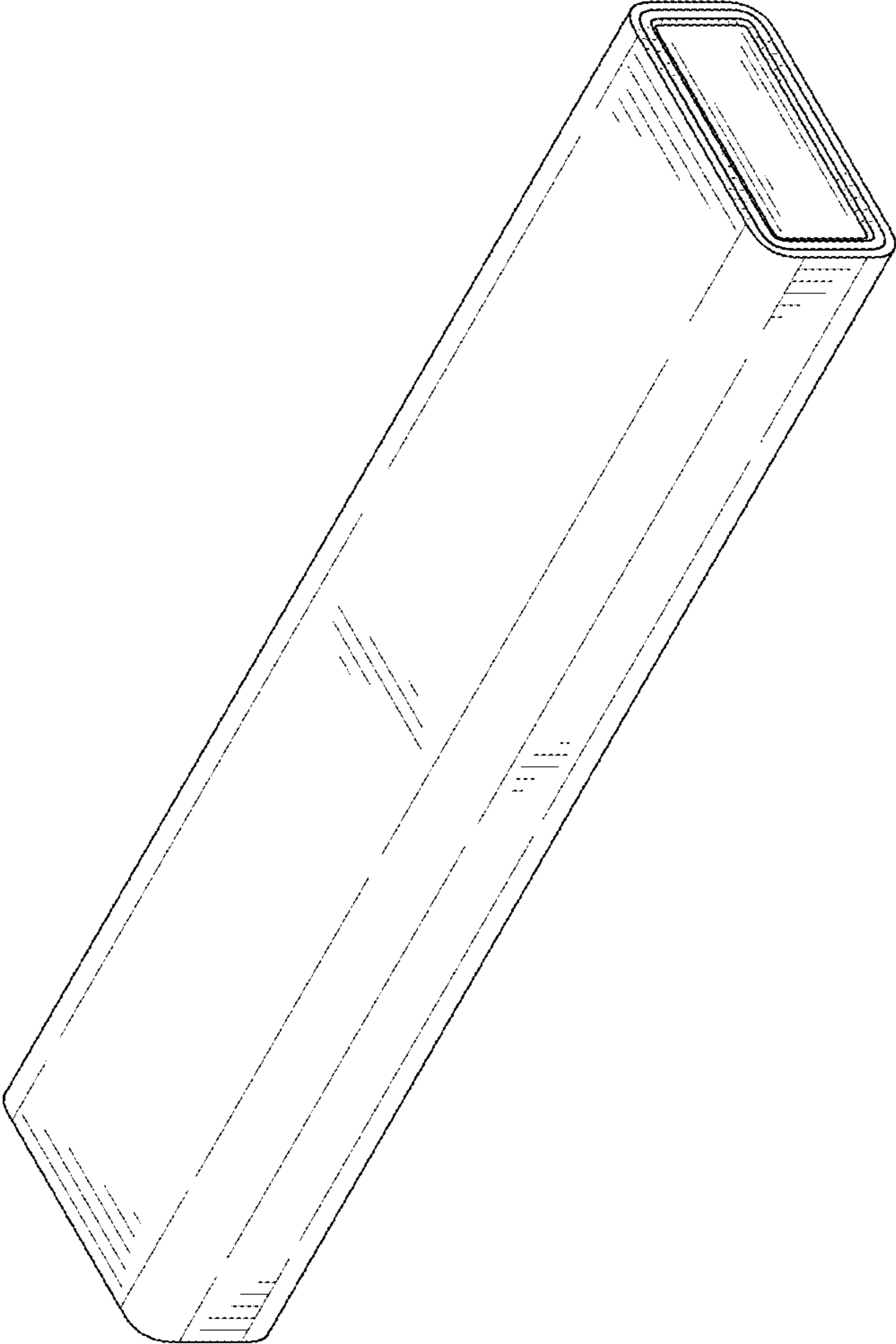


FIG. 9

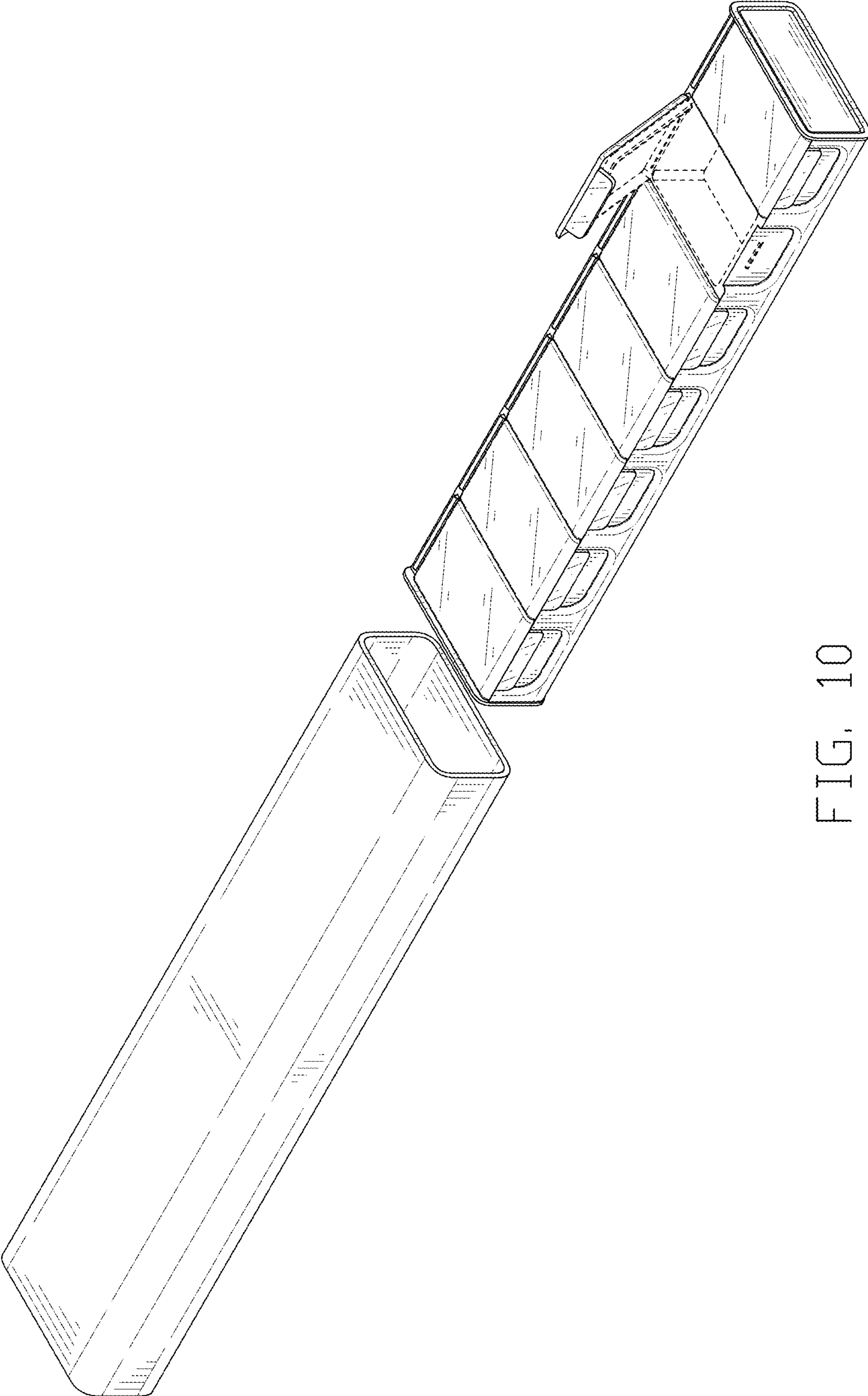


FIG. 10

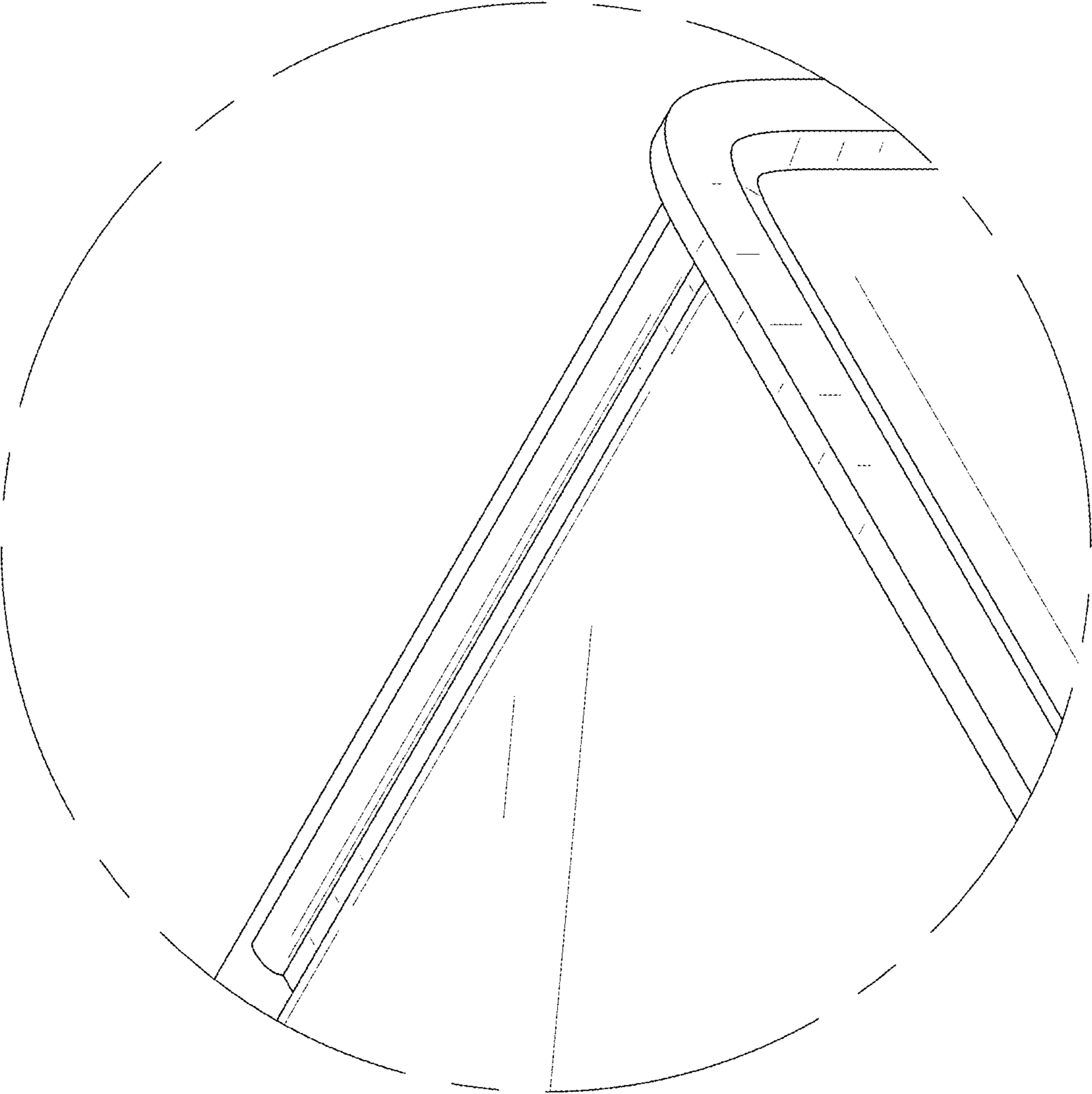


FIG. 11