



US00D966697S

(12) **United States Design Patent**  
**Chen**

(10) **Patent No.:** **US D966,697 S**

(45) **Date of Patent:** **\*\* Oct. 18, 2022**

(54) **MEDICATION CASE**

(71) Applicant: **Changsha Yuwen Network Technology Co., Ltd.**, Changsha (CN)

(72) Inventor: **Junyuan Chen**, Changsha (CN)

(73) Assignee: **HAIKOU LILI INVESTMENT CO., LTD.**, Haikou (CN)

(\*\*) Term: **15 Years**

(21) Appl. No.: **29/787,838**

(22) Filed: **Jun. 9, 2021**

(30) **Foreign Application Priority Data**

Jun. 1, 2021 (CN) ..... 202130330522.9

(51) **LOC (13) Cl.** ..... **03-01**

(52) **U.S. Cl.**  
USPC ..... **D3/203.3; D3/203.2**

(58) **Field of Classification Search**  
USPC ..... D3/203.1, 203.2, 203.3, 201, 203.4, D3/203.5, 203.6, 203.7, 203.8, 272, 273, D3/901-905, 302, 276, 294, 295, 298; D24/224; D6/515; D9/420-424, 529, D9/756, 757, 759; D99/28; D14/214, D14/314; D7/615, 629; D27/186  
CPC .... A61J 1/00; A61J 7/04; B65D 43/20; B65D 50/04; B65D 83/04; A47F 3/0404  
See application file for complete search history.

(56) **References Cited**

**U.S. PATENT DOCUMENTS**

D304,905 S \* 12/1989 Zimmerman ..... D3/203.3  
7,494,012 B1 \* 2/2009 Priebe ..... B65D 83/0445  
206/538  
7,798,330 B2 \* 9/2010 Noble ..... B65D 83/04  
206/533

D696,008 S \* 12/2013 Priebe ..... D3/203.3  
D939,203 S \* 12/2021 Lee ..... D3/203.2  
2016/0095797 A1 \* 4/2016 Hartley ..... A61J 7/0409  
340/540

(Continued)

**FOREIGN PATENT DOCUMENTS**

EM 002070276-0001 \* 7/2012

**OTHER PUBLICATIONS**

Amazon.co.uk, Site visited Aug. 9, 2022, EzyDose Travel 7-Day Pill Box, First available Mar. 11, 2013, <https://www.amazon.co.uk/Day-Pill-Reminder-Size-Medium/dp/B001F5PHNY> (Year: 2013).\*

(Continued)

*Primary Examiner* — Brett Miller  
*Assistant Examiner* — Jessica M Gebhart  
(74) *Attorney, Agent, or Firm* — IPro; Na Xu

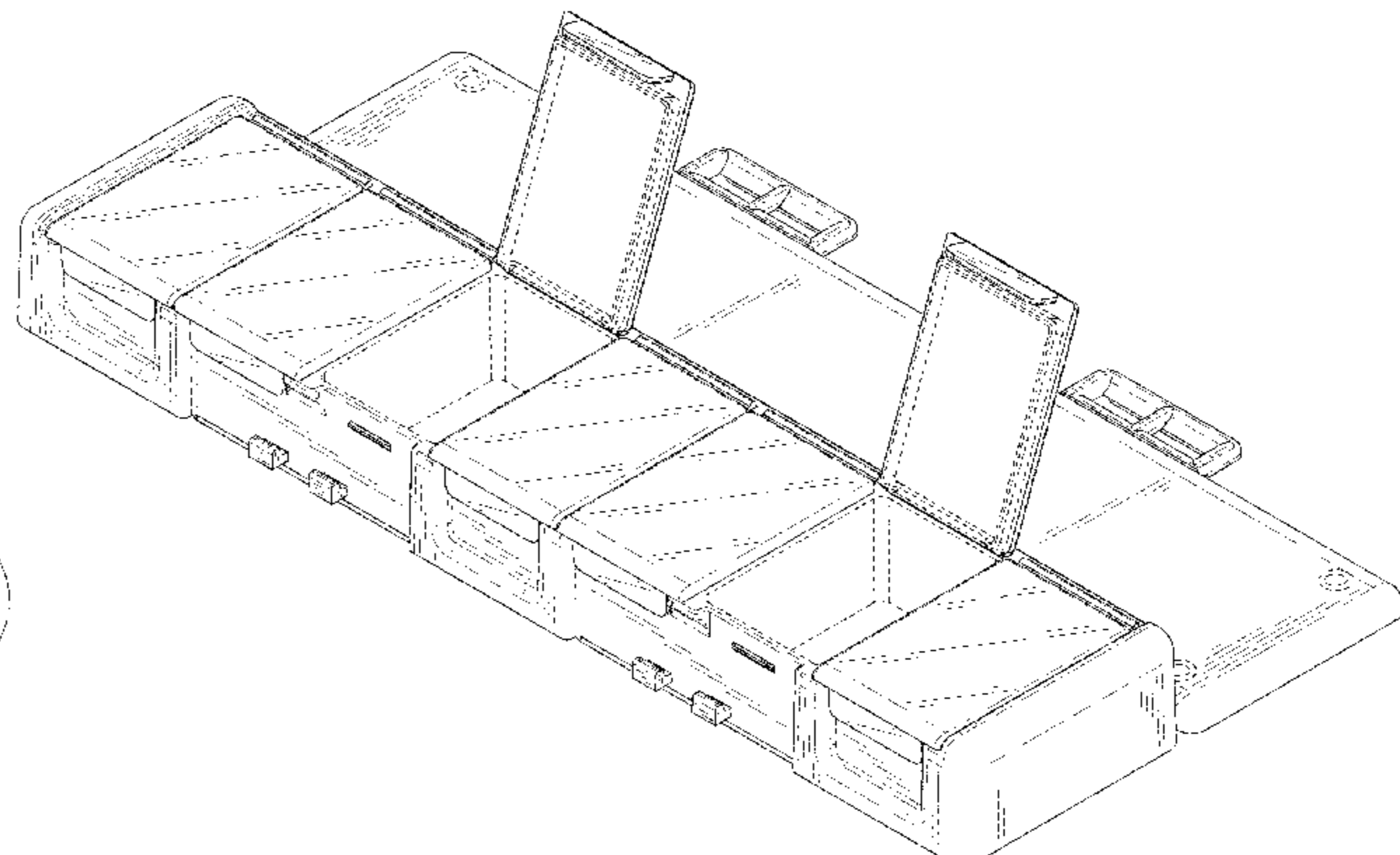
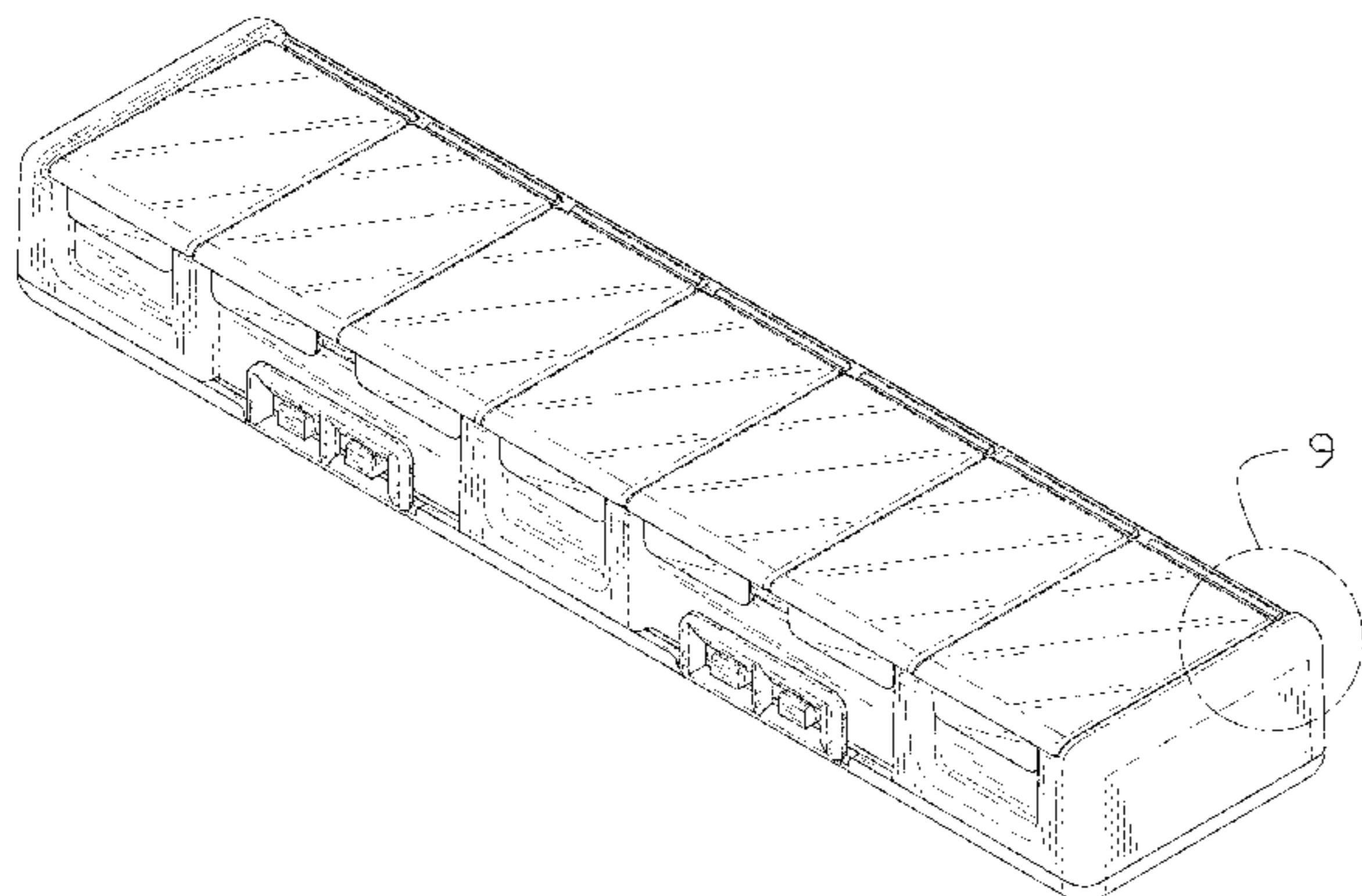
(57) **CLAIM**

The ornamental design for a medication case, as shown and described.

**DESCRIPTION**

FIG. 1 is a perspective view of an ornamental design for a medication case showing our new design; FIG. 2 is another perspective view of the medication case; FIG. 3 is a front view of the medication case; FIG. 4 is a rear view of the medication case; FIG. 5 is a left side view of the medication case; FIG. 6 is a right side view of the medication case; FIG. 7 is a top view of the medication case; FIG. 8 is a bottom view of the medication case; FIG. 9 is an enlarged view of the portion surrounded by the dash-dot line in FIG. 1; and, FIG. 10 is a perspective view of the medication case in its open state. The broken lines in the drawings depict portions of the medication case that form no part of the claimed design.

**1 Claim, 10 Drawing Sheets**



(56)

**References Cited**

U.S. PATENT DOCUMENTS

2022/0153491 A1\* 5/2022 Wang ..... B65D 55/02

OTHER PUBLICATIONS

Amazon.co.uk, Site visited Aug. 9, 2022, MEDca Weekly Pill Organizer, First available Nov. 27, 2020, <https://www.amazon.co.uk/Weekly-Pill-Organizer-Container-Medication/dp/B08P82BJP2> (Year: 2020).\*

\* cited by examiner

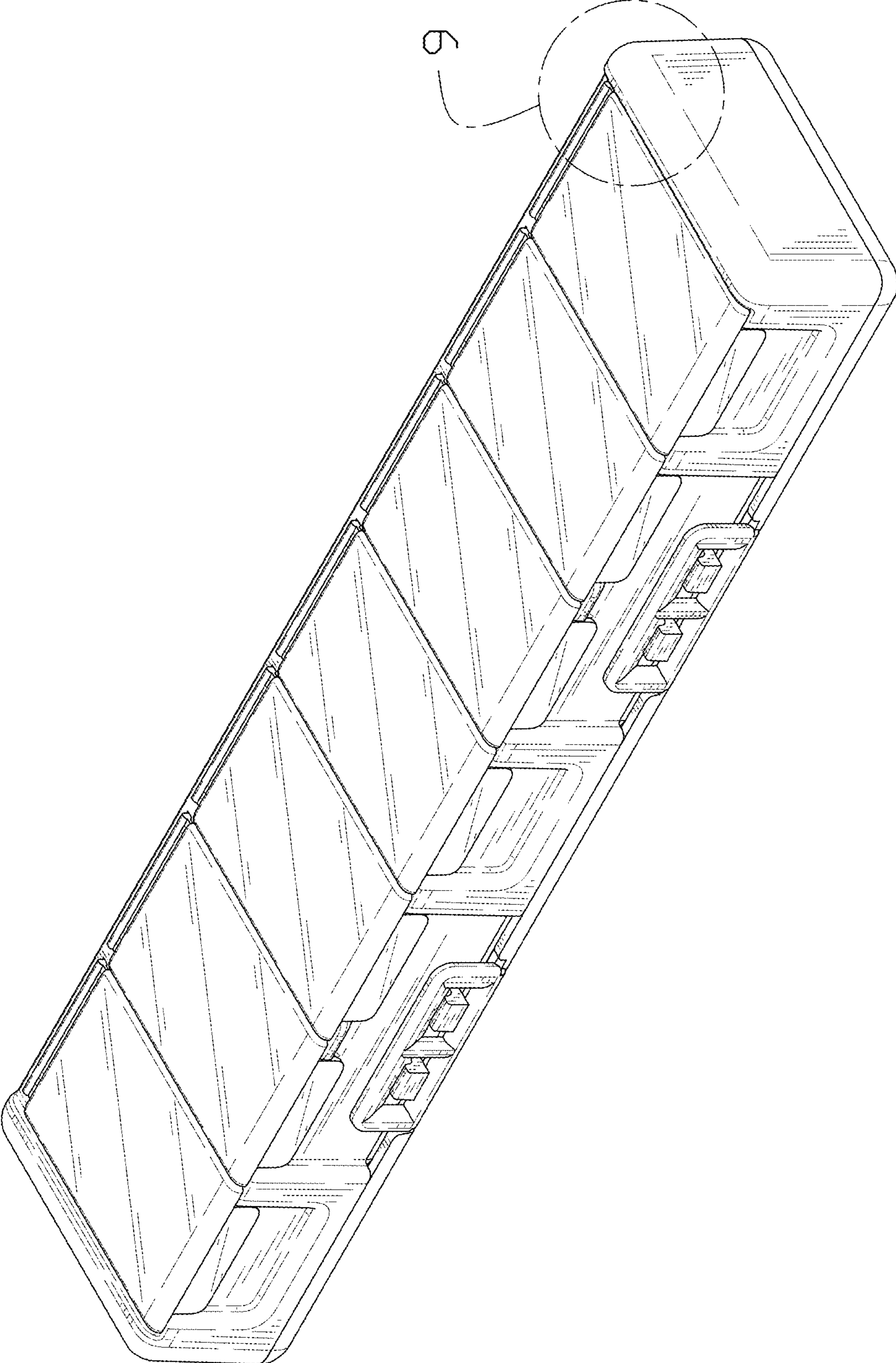


FIG. 1

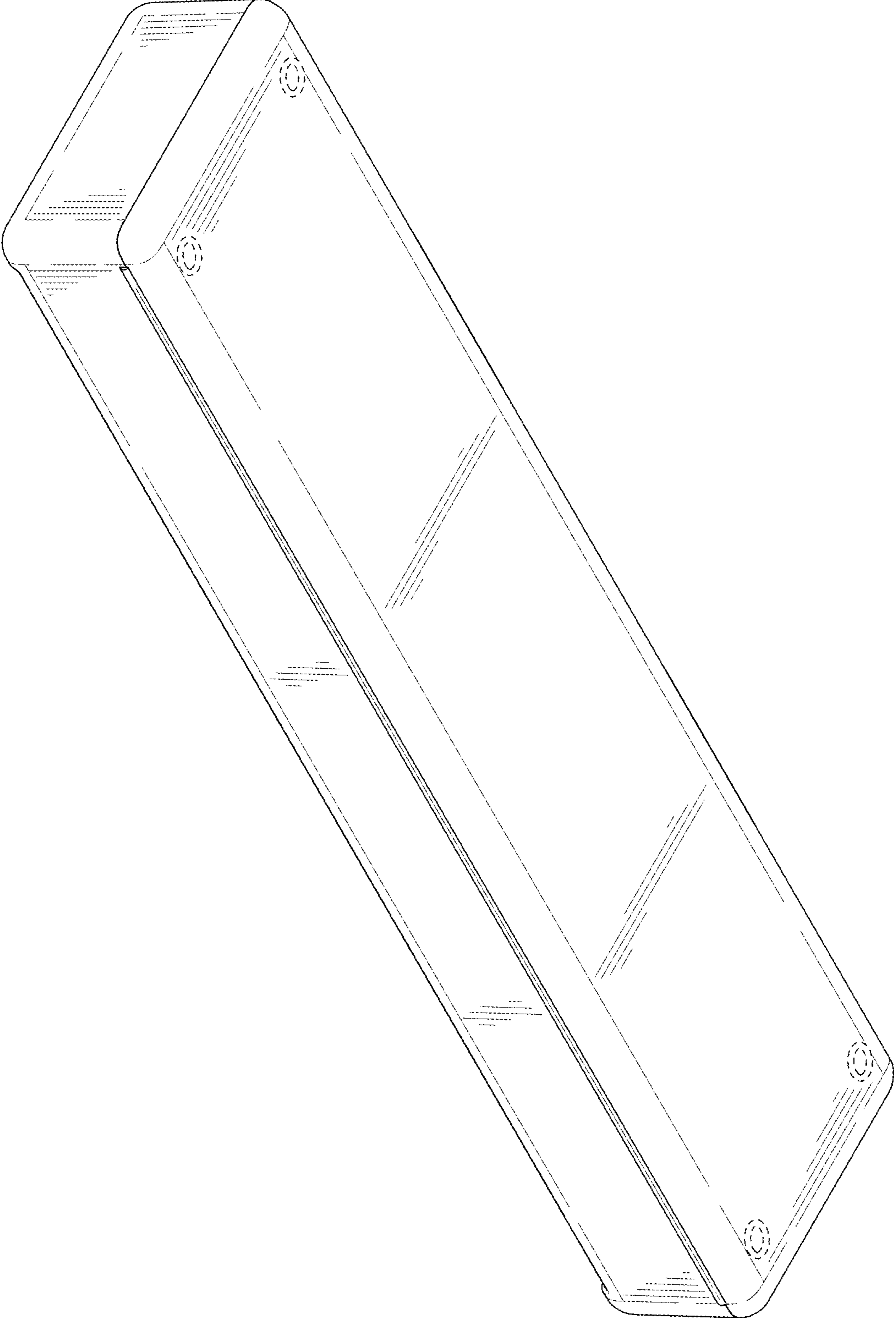


FIG. 2

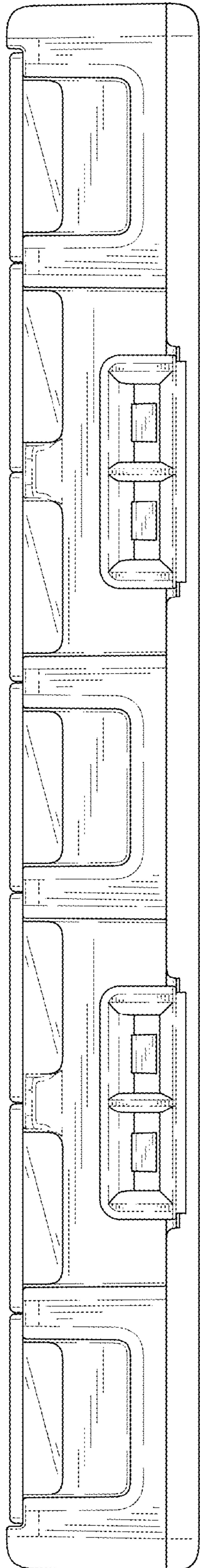


FIG. 3

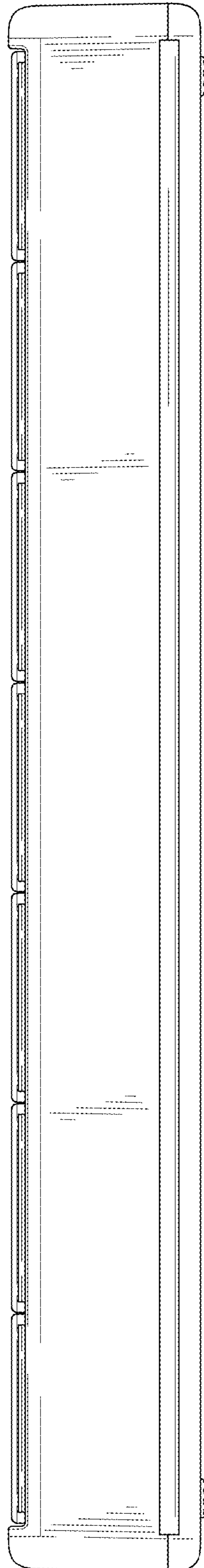


FIG. 4

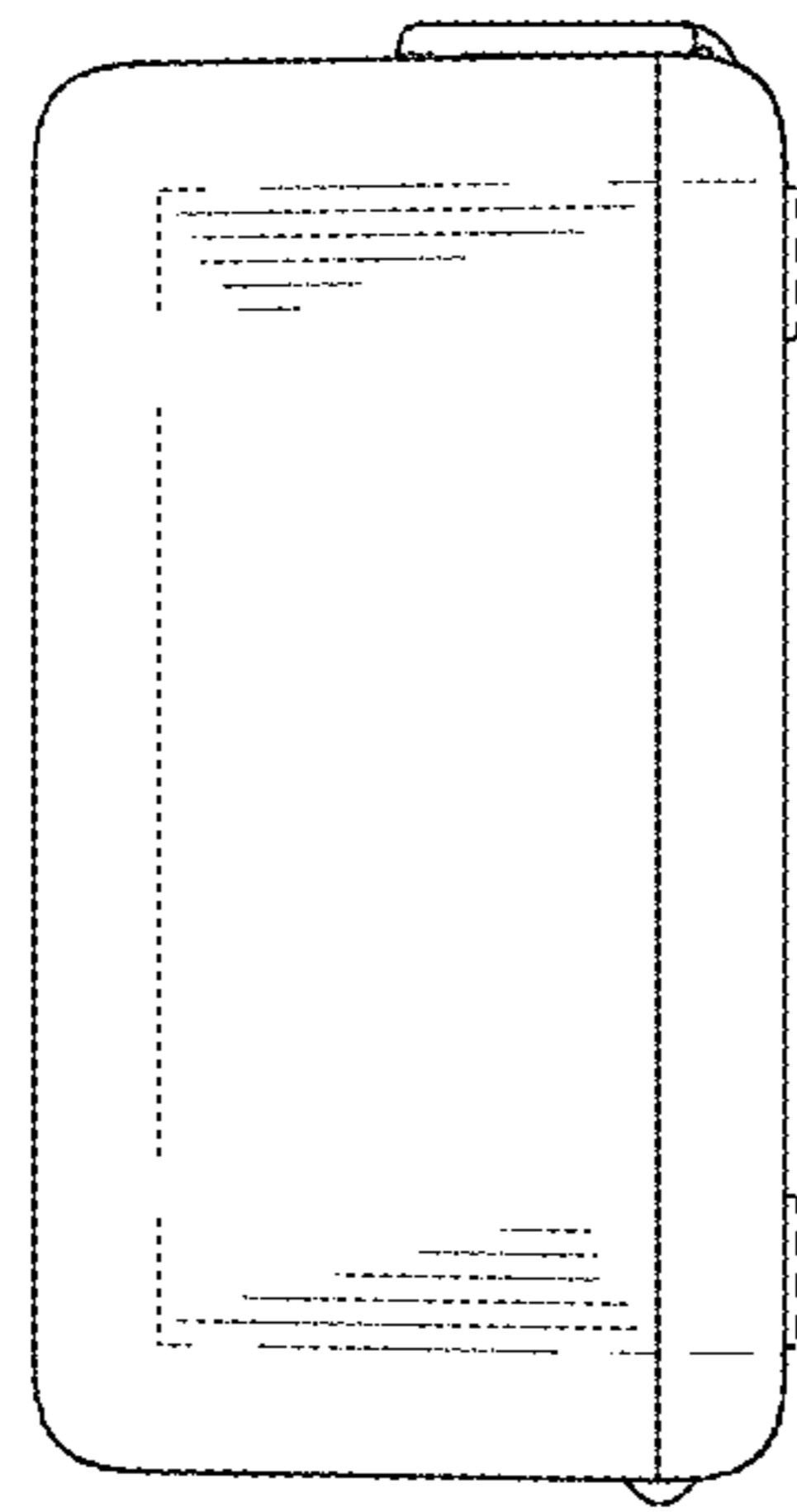


FIG. 5

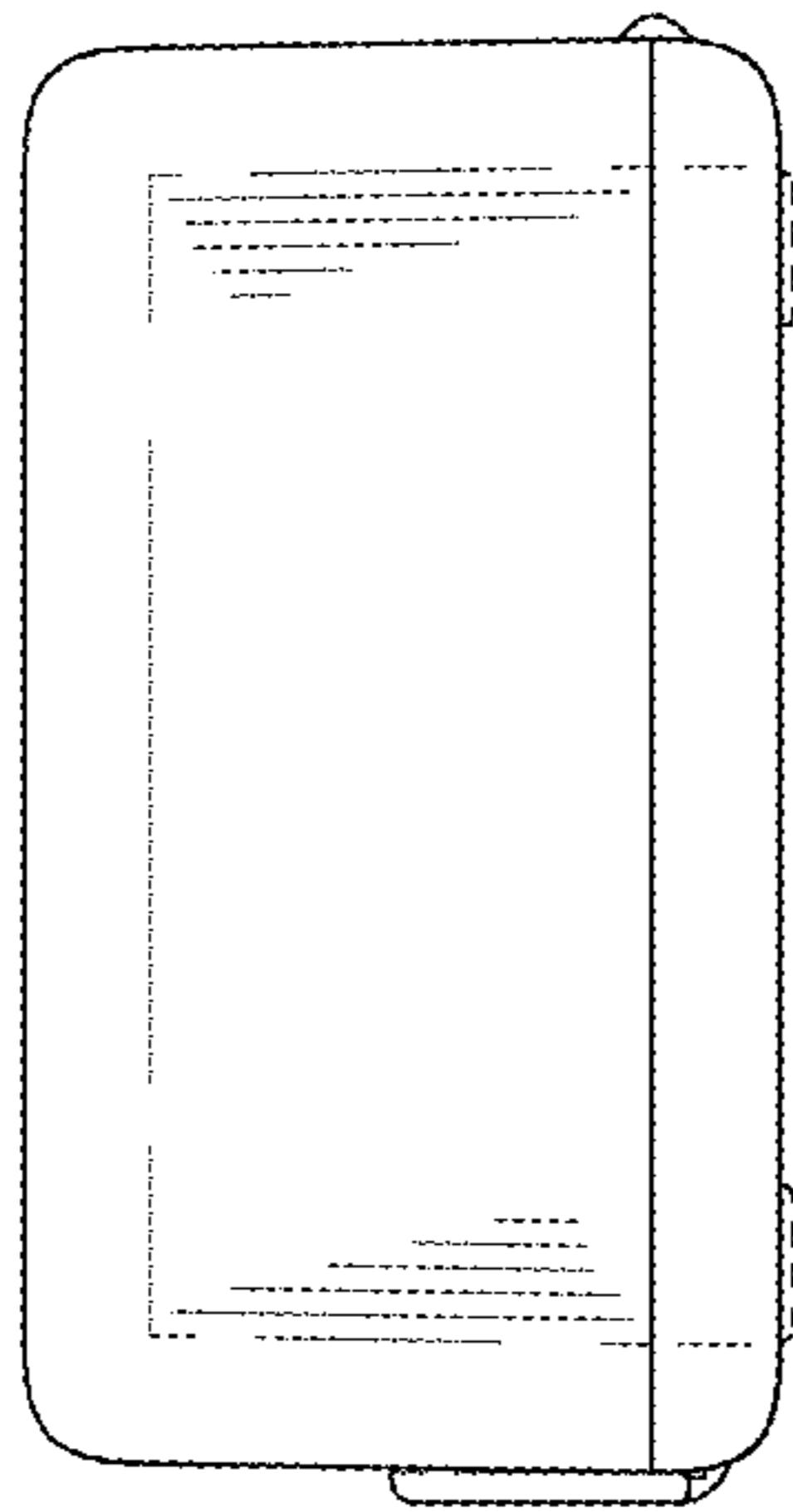


FIG. 6



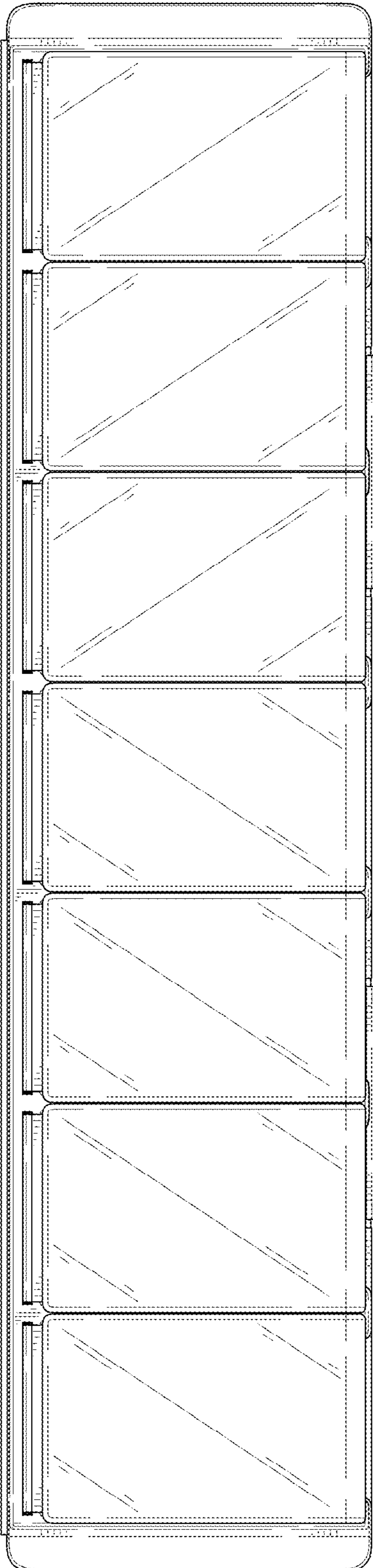


FIG. 7

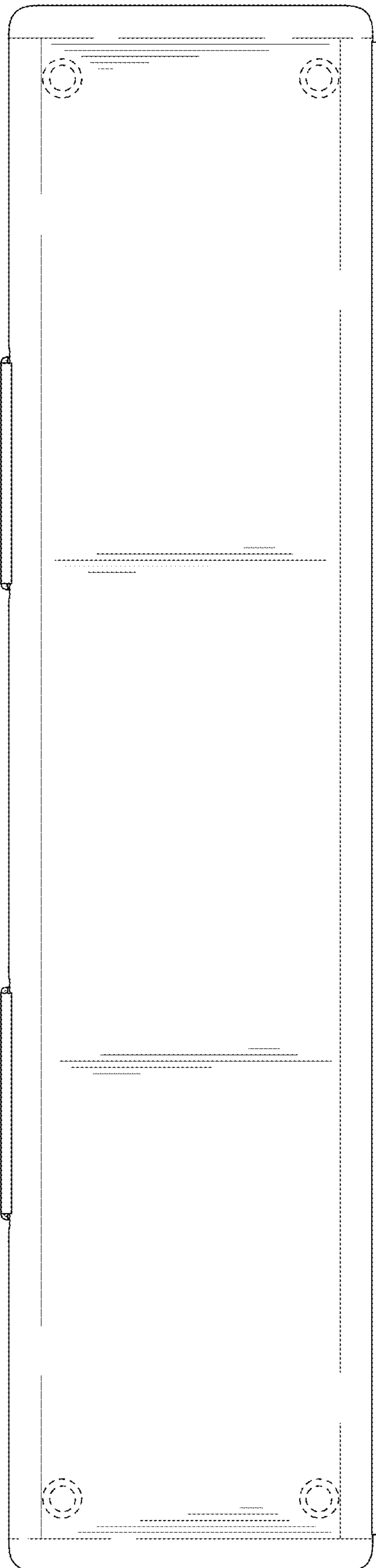


FIG. 8

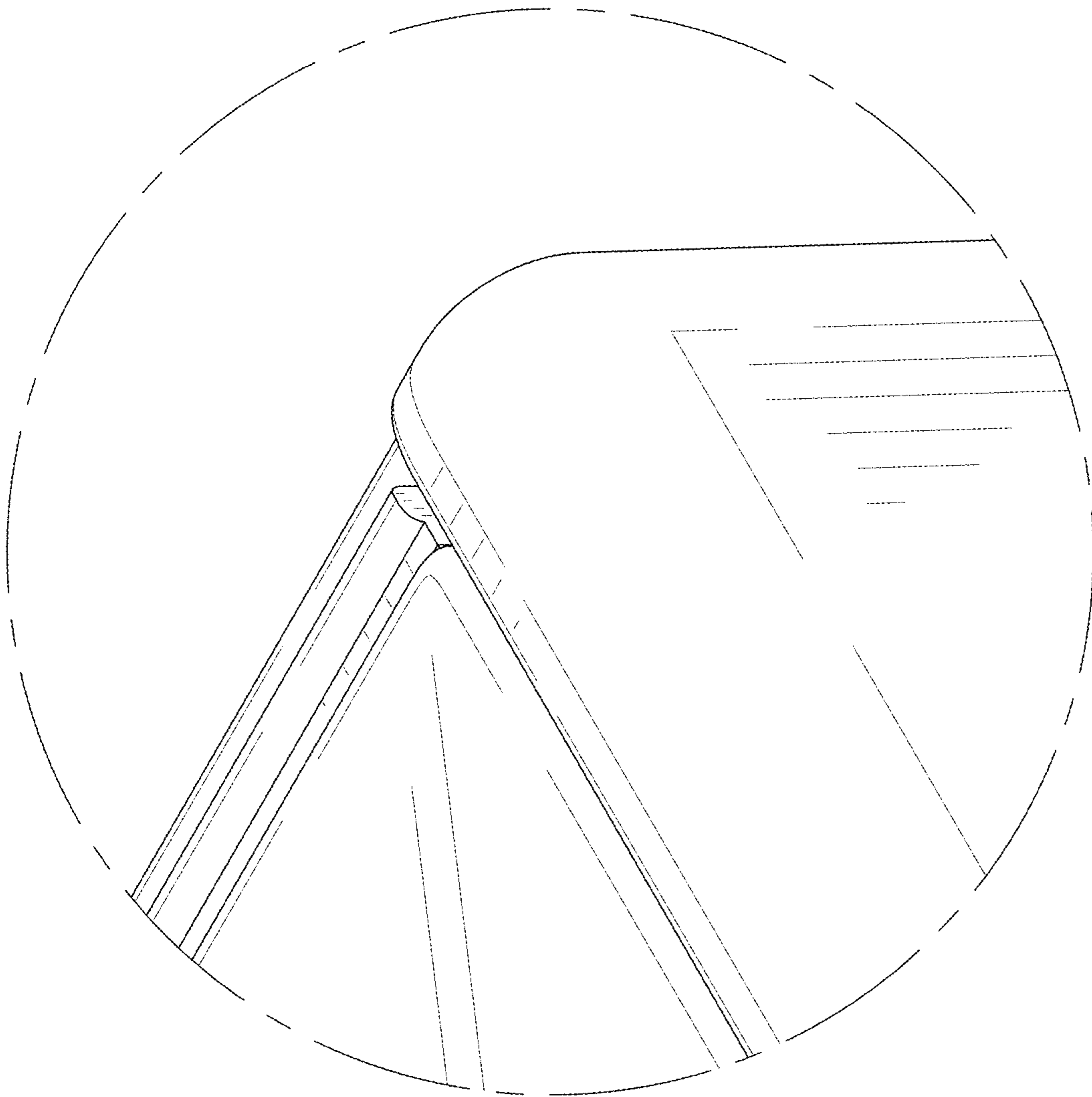


FIG. 9

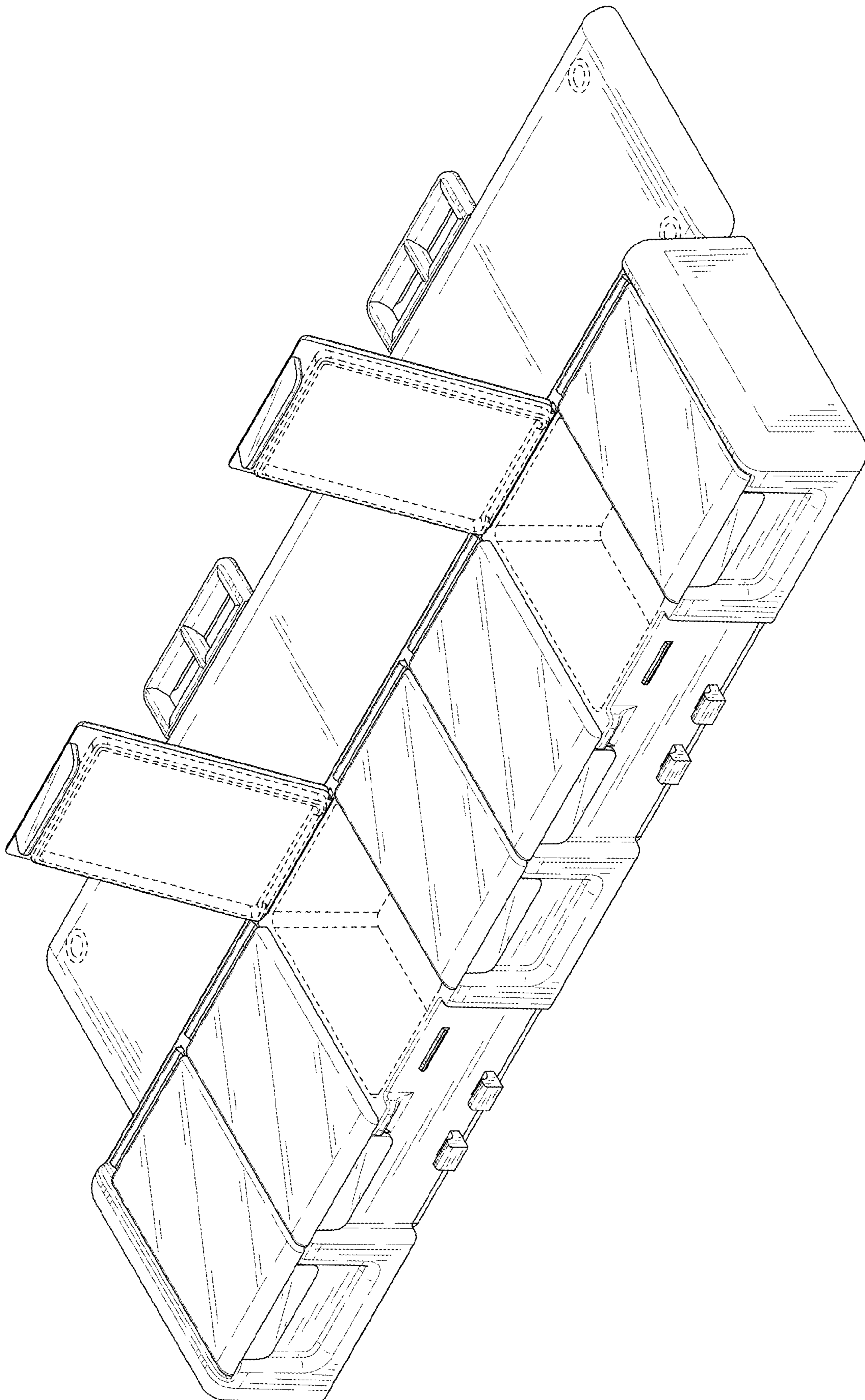


FIG. 10