



US00D966696S

(12) **United States Design Patent**
Chen

(10) **Patent No.:** **US D966,696 S**

(45) **Date of Patent:** **** Oct. 18, 2022**

(54) **MEDICATION CASE**

(71) Applicant: **Changsha Yuwen Network Technology Co., Ltd.**, Changsha (CN)

(72) Inventor: **Junyuan Chen**, Changsha (CN)

(73) Assignee: **HAIKOU LILI INVESTMENT CO., LTD.**, Haikou (CN)

(**) Term: **15 Years**

(21) Appl. No.: **29/776,007**

(22) Filed: **Mar. 26, 2021**

(30) **Foreign Application Priority Data**

Mar. 16, 2021 (CN) 202130140771.1

(51) **LOC (13) Cl.** **03-01**

(52) **U.S. Cl.**
USPC **D3/203.3**

(58) **Field of Classification Search**
USPC D3/201, 202, 203.1, 203.2, 203.3, 203.4,
D3/203.5, 203.6, 203.7, 203.8, 204–212,
(Continued)

(56) **References Cited**

U.S. PATENT DOCUMENTS

D452,611 S * 1/2002 Redgrave D3/264
D698,141 S * 1/2014 Priebe D3/203.3
(Continued)

FOREIGN PATENT DOCUMENTS

GB 6160869 * 9/2021
GB 6160872 * 9/2021
JP D1698976 * 11/2021

OTHER PUBLICATIONS

Ezy Dose Weekly (7-Day) Pill Organizer, available at amazon.com, earliest date available Jul. 8, 2008 [online], site visited Jun. 24,

2022, available from the internet URL: <https://www.amazon.com/Organizer-Vitamin-Medicine-Compartments-Assorted/dp/B001CCDF5M?th=1> (Year: 2008).*

(Continued)

Primary Examiner — Messina L Smith

Assistant Examiner — Jillian Mazzola

(74) *Attorney, Agent, or Firm* — IPro, PLLC; Na Xu

(57) **CLAIM**

The ornamental design for a medication case, as shown and described.

DESCRIPTION

FIG. 1 is a top and left side perspective view of a medication case showing the new design;

FIG. 2 is a bottom and right side perspective view of the medication case;

FIG. 3 is a front view of the medication case;

FIG. 4 is a rear view of the medication case;

FIG. 5 is a left side view of the medication case;

FIG. 6 is a right side view of the medication case;

FIG. 7 is a top view of the medication case;

FIG. 8 is a bottom view of the medication case;

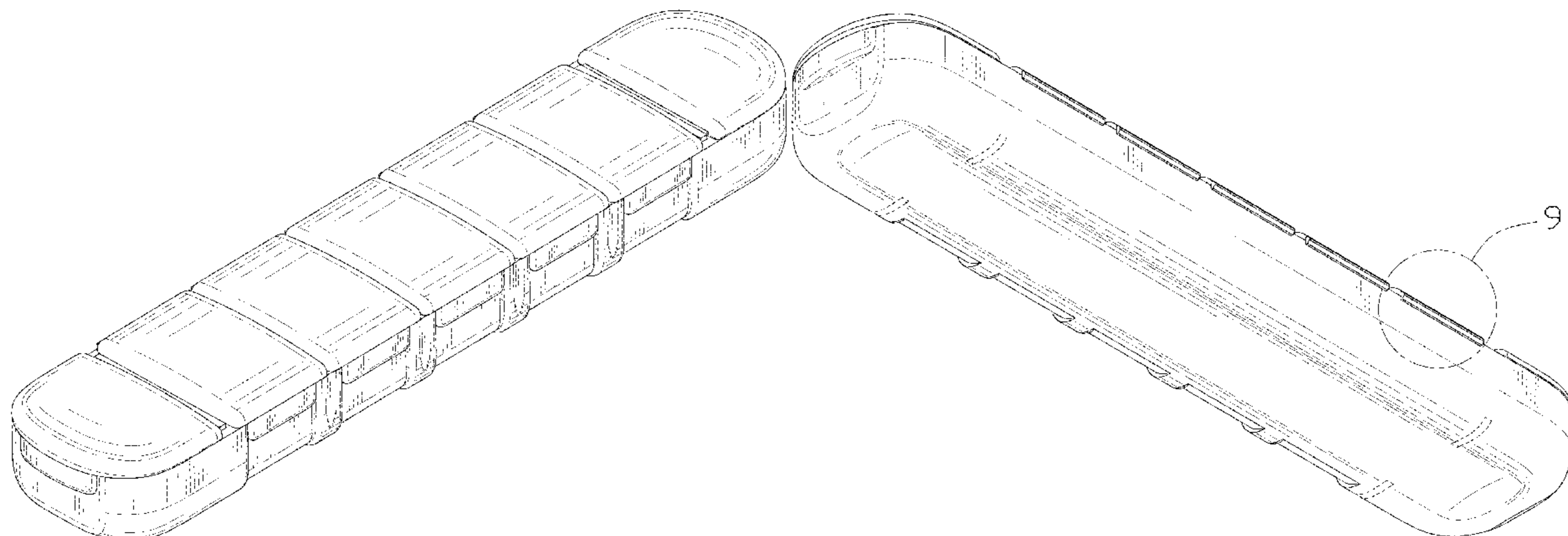
FIG. 9 is an enlarged view of the portion surrounded by the dash-dot line in FIG. 2; and,

FIG. 10 is a top and left side perspective view of the medication case in its open state.

The dash-dot broken line in FIG. 2 and FIG. 9 represents the boundary of the enlarged partial view and forms no part of the claimed design.

The broken lines in the drawings depict portions of the medication case that form no part of the claimed design. The interior part of the medication case in its open state forms no part of the claimed design. In FIG. 10, the claimed surface of the medication case ends at where the solid line details end.

1 Claim, 10 Drawing Sheets



(58) **Field of Classification Search**

USPC D3/263–267, 270, 271.1, 273–275, 294,
 D3/295, 302, 901; D7/601, 602,
 D7/608–611, 614, 615, 637–639,
 D7/701–703; D9/600, 715, 717, 737,
 D9/756, 763, 766–773, 781, 782, 499;
 D14/203.4, 203.5, 203.6, 204, 205,
 D14/509–511; D24/224–227
 CPC A45C 11/00; A45C 11/005; A45C 11/008;
 A45C 11/02; A45C 11/04; A45C 11/043;
 A45C 11/046; A45C 11/06; A45C 11/08;
 A45C 11/10; A45C 11/12; A45C 11/14;
 A45C 11/16; A45C 11/18; A45C
 2011/001; A45C 2011/002; A45C
 2011/003; A45C 2011/006; A45C
 2011/007

See application file for complete search history.

(56) **References Cited**

U.S. PATENT DOCUMENTS

D698,540 S * 2/2014 Priebe D3/203.3
 D747,869 S * 1/2016 Priebe D3/203.3
 D775,462 S * 1/2017 Noble D3/203.3
 D850,782 S * 6/2019 Lee D3/203.3
 10,420,703 B1 * 9/2019 Lee A61J 7/0084
 D877,489 S * 3/2020 Lee D3/203.2
 D895,958 S * 9/2020 Guo D3/203.3

D895,959 S * 9/2020 Guo D3/203.3
 D897,665 S * 10/2020 Guo D3/203.3
 D909,744 S * 2/2021 Guo B65D 43/164
 D3/203.3
 D914,357 S * 3/2021 Chen D3/203.3
 D915,060 S * 4/2021 Lee D3/203.3
 D916,455 S * 4/2021 Chen D3/203.2
 D941,022 S * 1/2022 Kwiatkowski et al.
 2010/0044270 A1 * 2/2010 Noble B65D 83/04
 206/538
 2014/0251863 A1 * 9/2014 Priebe A61J 1/03
 206/534

OTHER PUBLICATIONS

LEMBOL Large Weekly Pill Organizer, available at amazon.com, earliest date available Mar. 19, 2022 [online], site visited Jun. 24, 2022, available from the internet URL: <https://www.amazon.com/dp/B09VYRGDH7/> (Year: 2022).*

7-Day AM-PM Med Minders, available at discountmugs.com, date not available [online], site visited Jun. 24, 2022, available from the internet URL: <https://www.discountmugs.com/product/em3562-7-day-am-pm-med-minders/?> (Year: 2022).*

AUVON Weekly Pill Organizer 3-Times-A-Day, available at amazon.com, earliest date available May 13, 2020 [online], site visited Jun. 24, 2022, available from the internet URL: <https://www.amazon.com/AUVON-Organizer-Compartments-Medication-Supplements/dp/B088K5YND8?> (Year: 2020).*

* cited by examiner

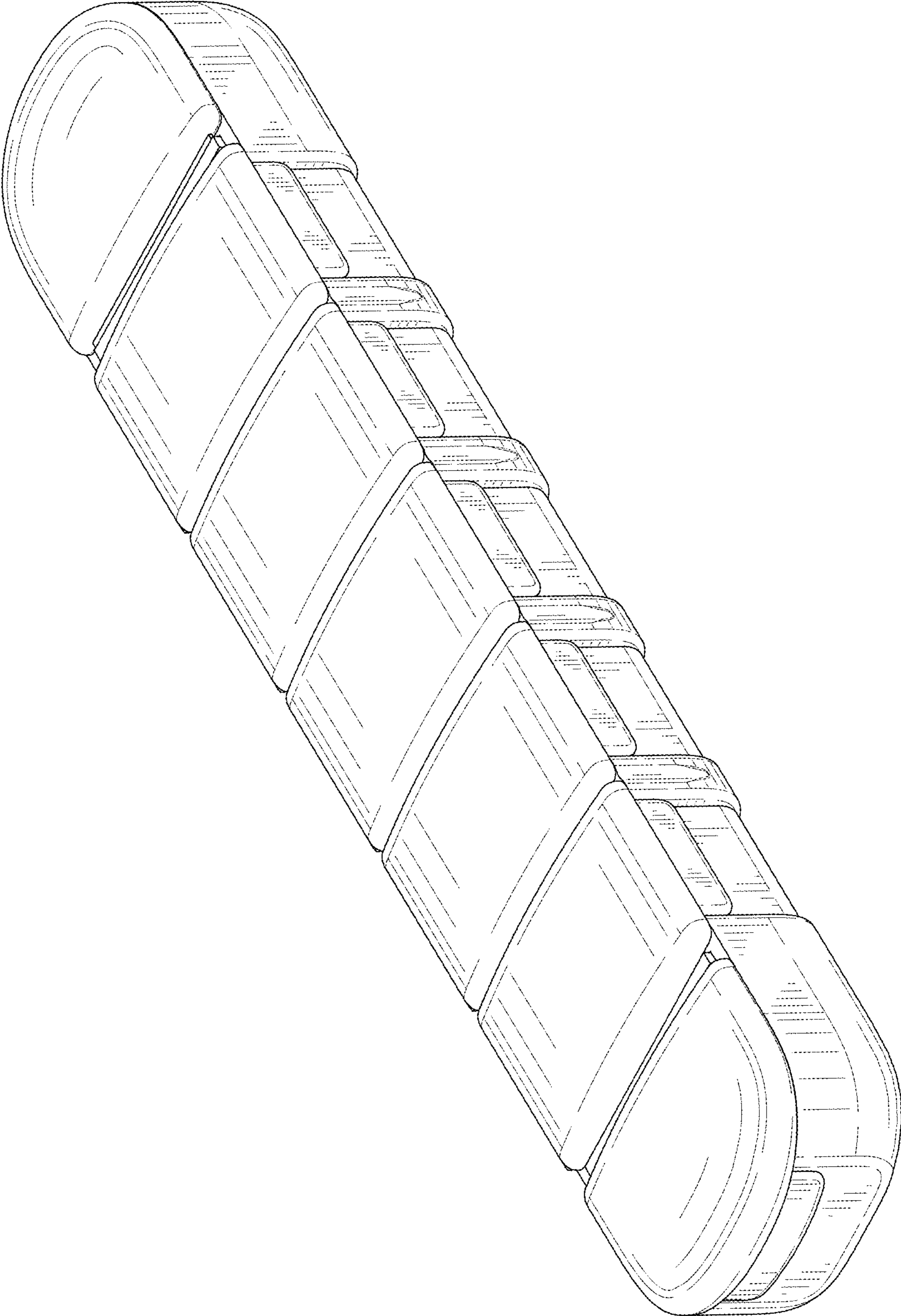


FIG. 1

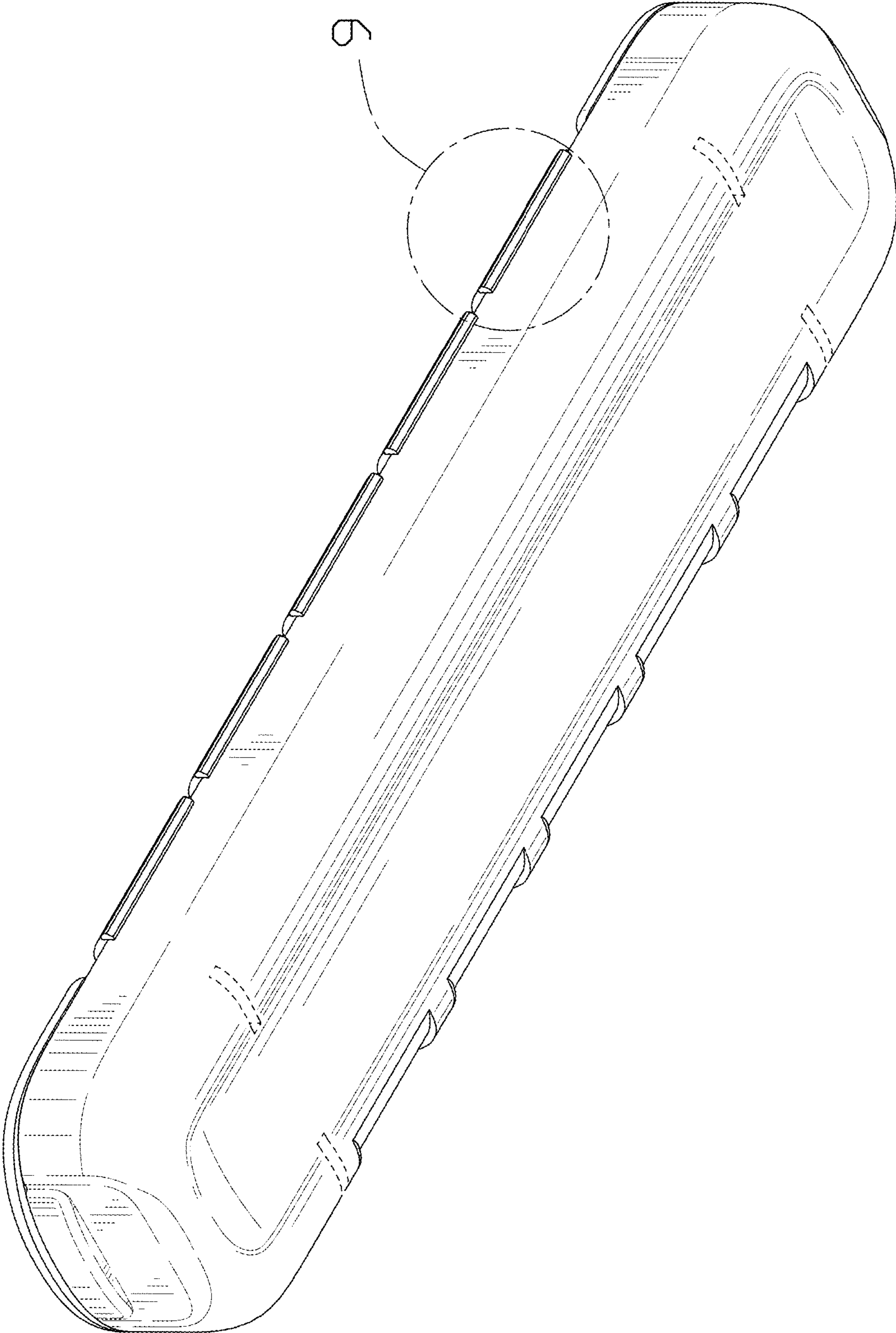


FIG. 2

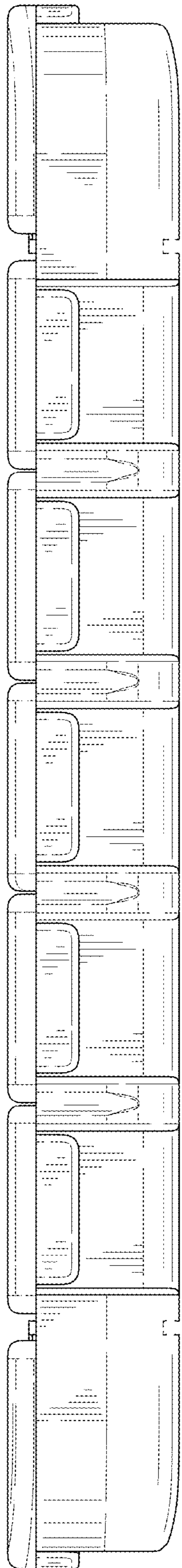


FIG. 3

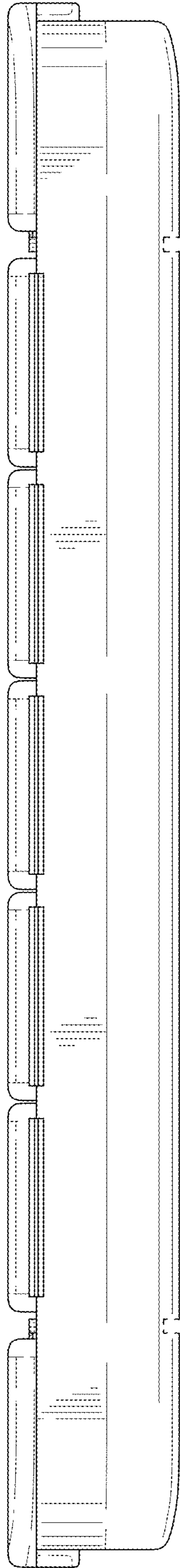


FIG. 4

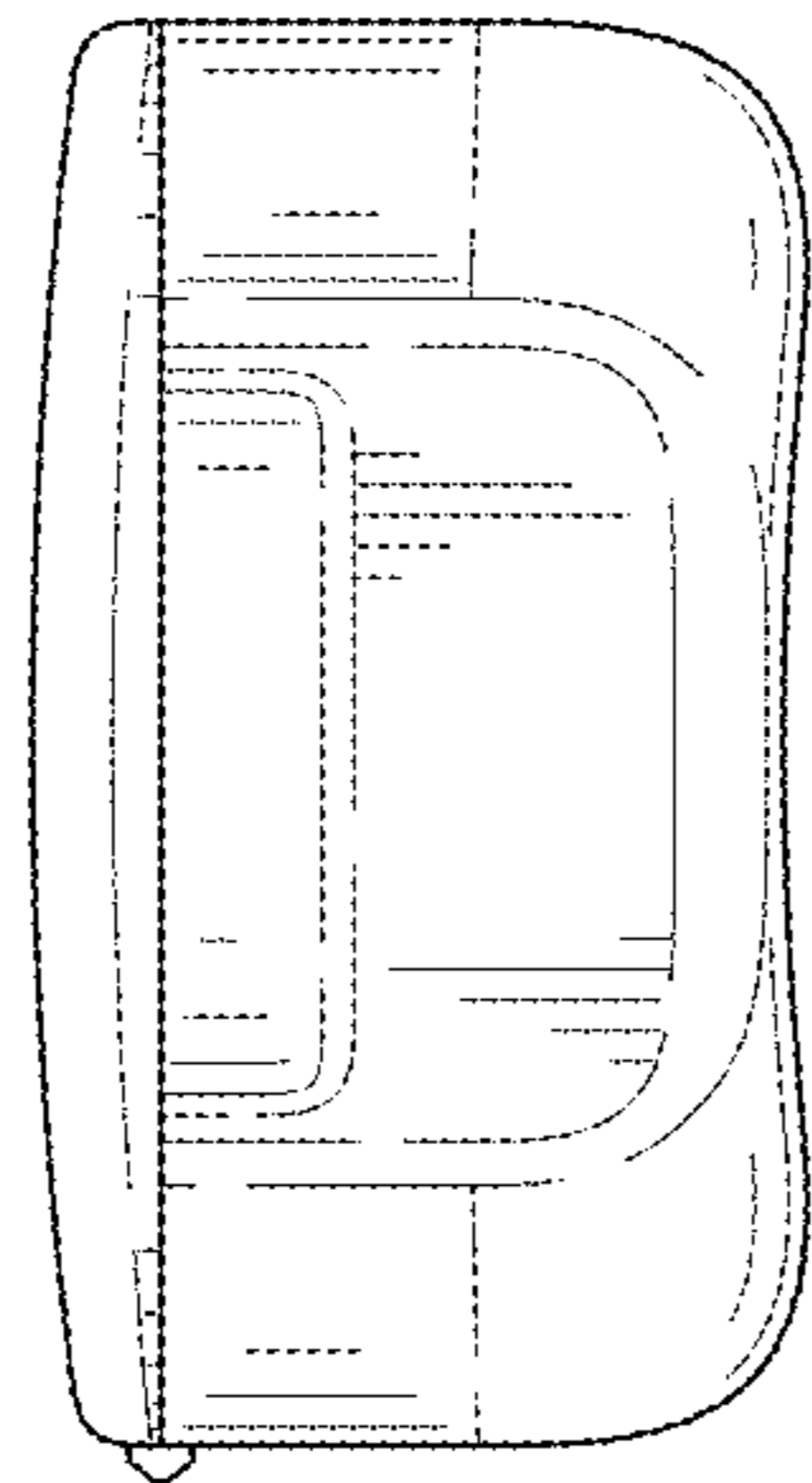


FIG. 5

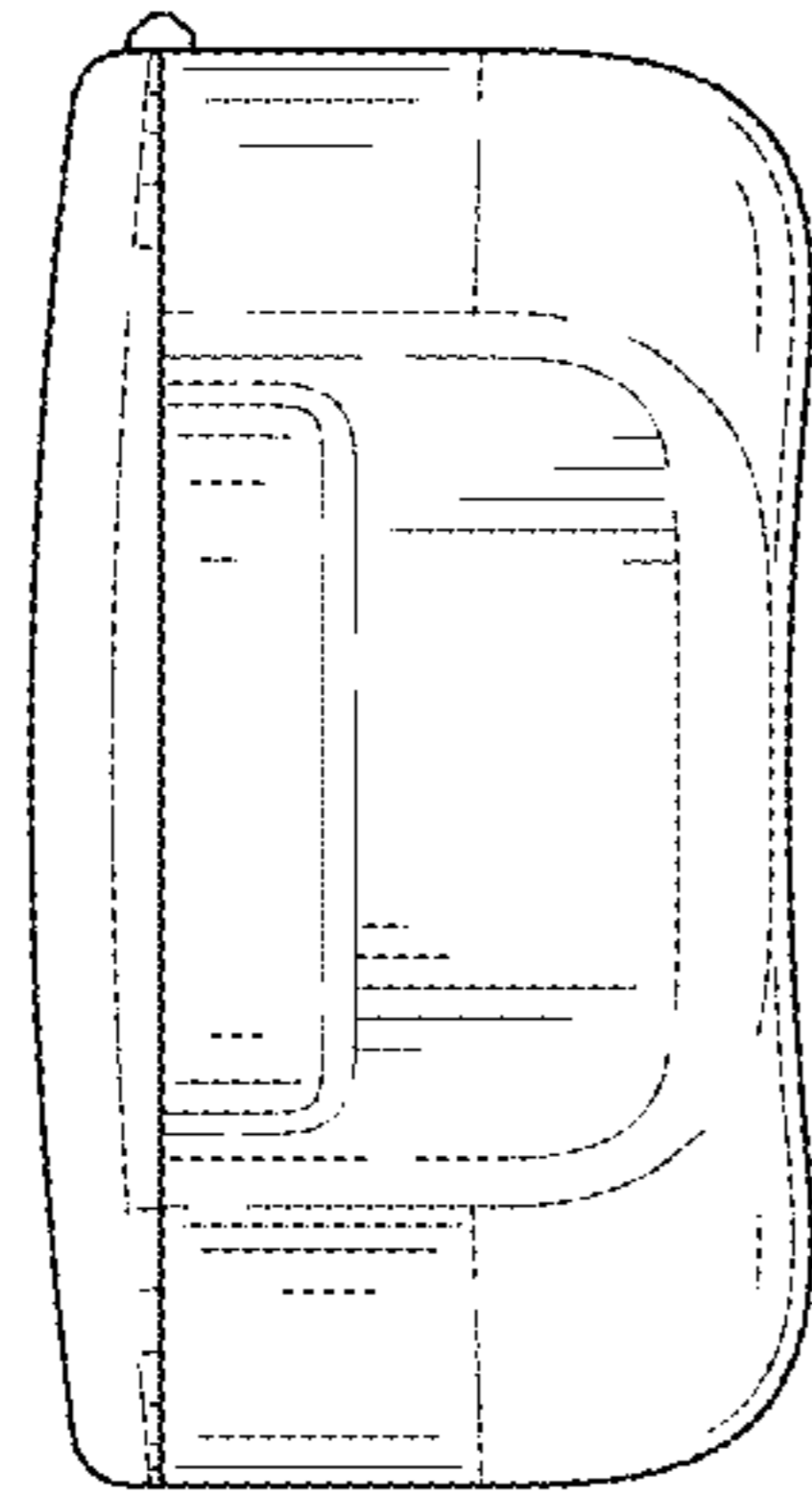


FIG. 6

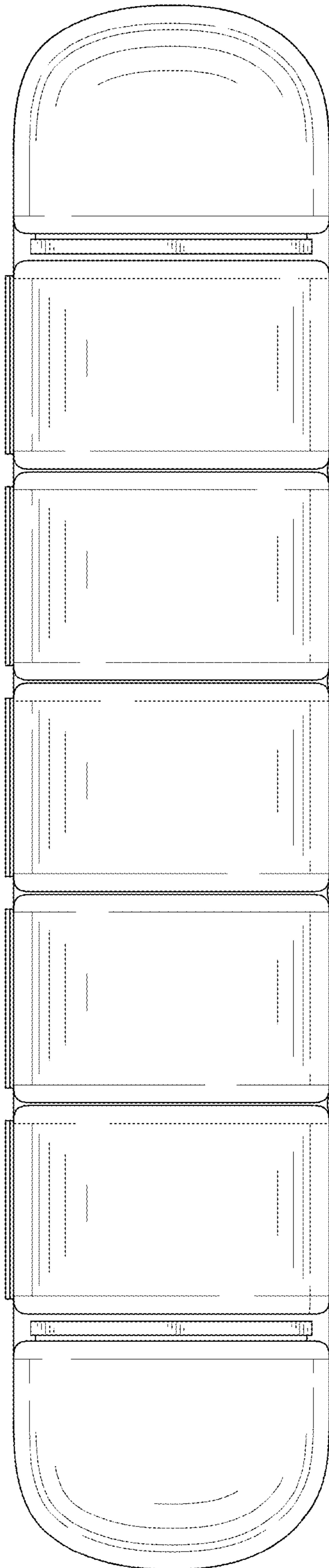


FIG. 7

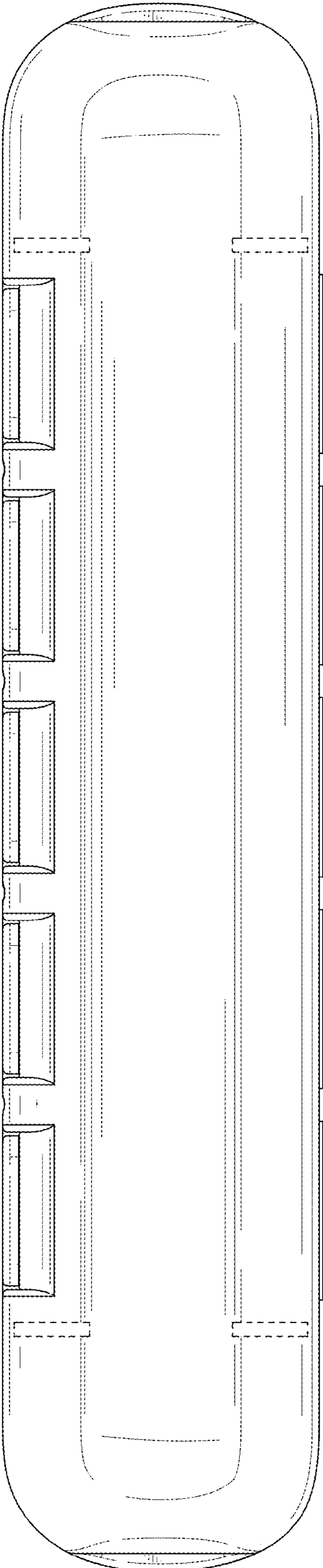


FIG. 8

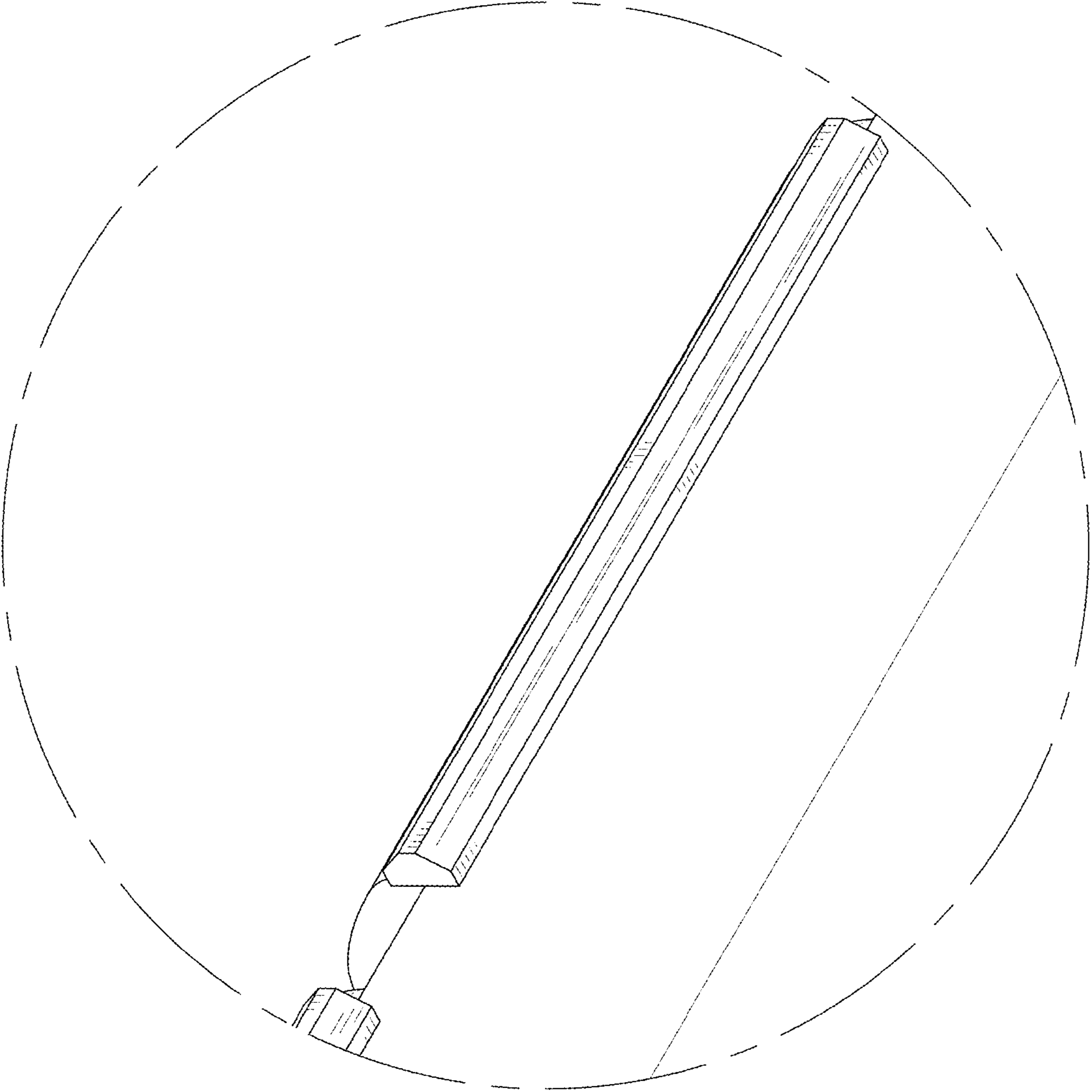


FIG. 9

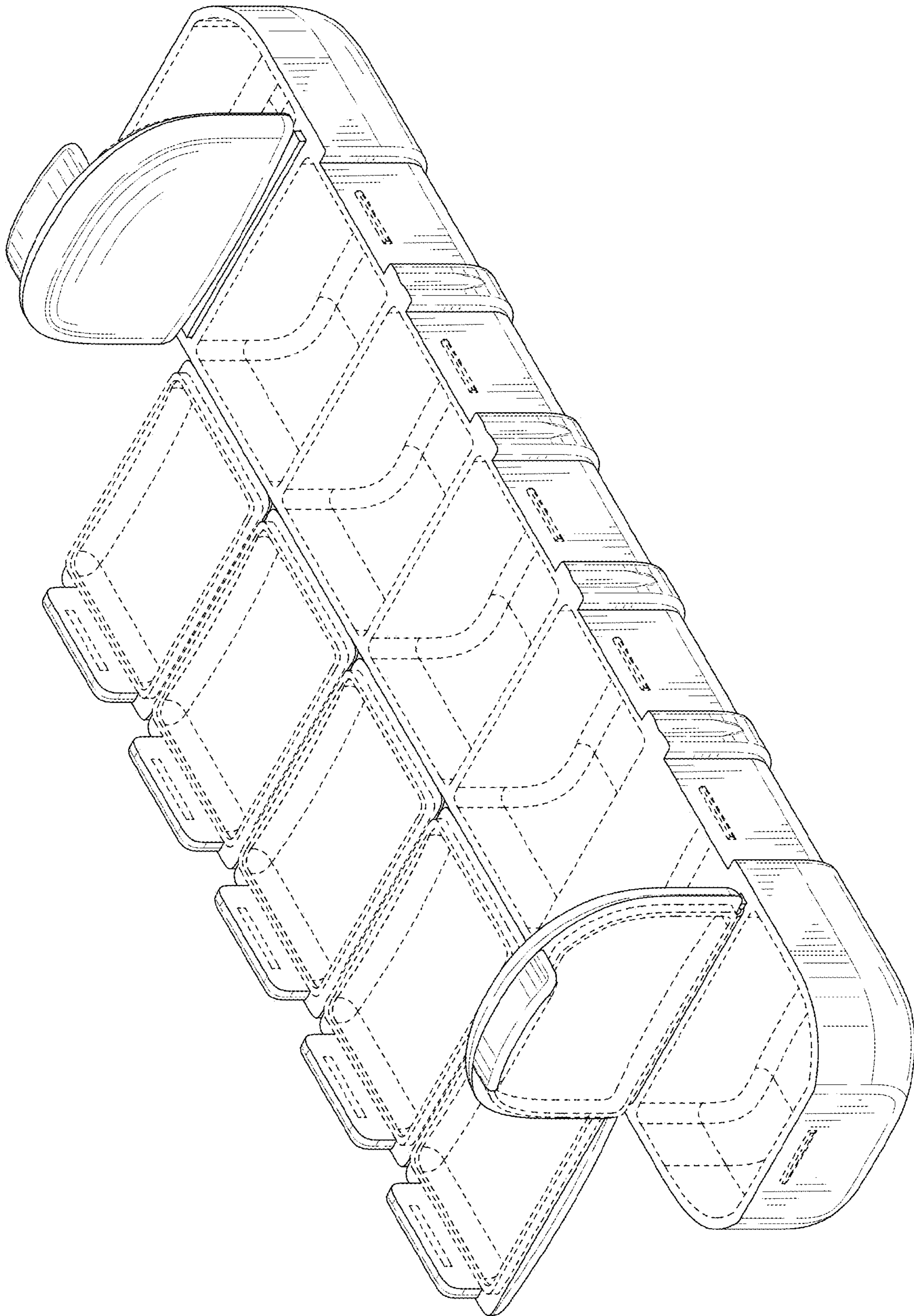


FIG. 10