



US00D966695S

(12) **United States Design Patent**
Chen

(10) **Patent No.:** **US D966,695 S**

(45) **Date of Patent:** **** Oct. 18, 2022**

(54) **MEDICATION CASE**

(71) Applicant: **Changsha Yuwen Network Technology Co., Ltd.**, Changsha (CN)

(72) Inventor: **Junyuan Chen**, Changsha (CN)

(73) Assignee: **HAIKOU LILI INVESTMENT CO., LTD.**, Haikou (CN)

(**) Term: **15 Years**

(21) Appl. No.: **29/776,001**

(22) Filed: **Mar. 26, 2021**

(30) **Foreign Application Priority Data**

Mar. 15, 2021 (CN) 202130137639.5

(51) **LOC (13) Cl.** **03-01**

(52) **U.S. Cl.**
USPC **D3/203.3**

(58) **Field of Classification Search**

USPC D3/201, 202, 203.1, 203.2, 203.3, 203.4, D3/203.5, 203.6, 203.7, 203.8, 204–212, D3/263–267, 270, 271.1, 273–275, 294, D3/295, 302, 901; D7/601, 602, D7/608–611, 614, 615, 637–639, D7/701–703; D9/600, 715, 717, 737, D9/756, 763, 766–773, 781, 782, 499; D13/108; D14/203.4, 203.5, 203.6, 204, D14/205, 509–511; D24/224–227
(Continued)

(56) **References Cited**

U.S. PATENT DOCUMENTS

D108,345 S * 2/1938 Pilliod D3/302
D108,580 S * 2/1938 Pilliod D3/903

(Continued)

FOREIGN PATENT DOCUMENTS

CN 306185533 * 11/2020
CN 306305493 * 2/2021

(Continued)

OTHER PUBLICATIONS

MEDca Weekly Pill Organizer, available at amazon.com, earliest date available Dec. 27, 2017 [online], site visited Jul. 22, 2022, available from the internet URL: <https://www.amazon.com/Weekly-Pill-Organizer-Times-Day/dp/B0786PQFKW> (Year: 2017).*

(Continued)

Primary Examiner — Messina L Smith

Assistant Examiner — Jillian Mazzola

(74) *Attorney, Agent, or Firm* — IPro, PLLC; Na Xu

(57) **CLAIM**

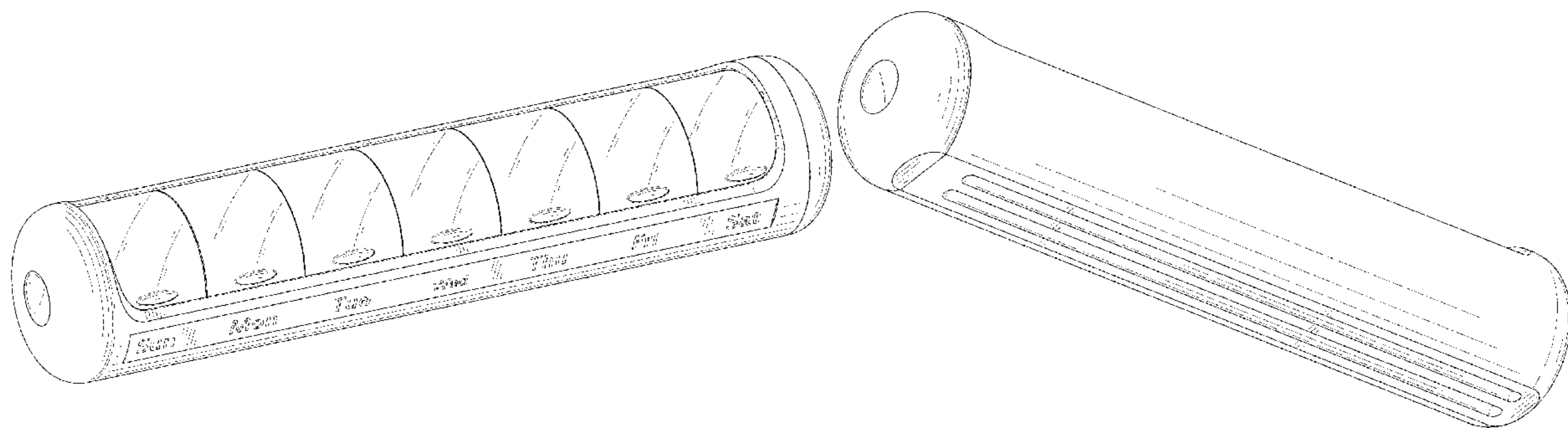
The ornamental design for a medication case, as shown and described.

DESCRIPTION

FIG. 1 is a bottom and left side perspective view of a medication case showing our new design; FIG. 2 is a bottom and right side perspective view of the medication case; FIG. 3 is a front view of the medication case; FIG. 4 is a rear view of the medication case; FIG. 5 is a left side view of the medication case; FIG. 6 is a right side view of the medication case; FIG. 7 is a top view of the medication case; FIG. 8 is a bottom view of the medication case; and, FIG. 9 is a top and left side perspective view of the medication case in its open state.

The broken lines in the drawings depict portions of the medication case that form no part of the claimed design. The oblique shading lines show a transparent or semi-transparent surface, and not surface ornamentation.

1 Claim, 9 Drawing Sheets



(58) **Field of Classification Search**

CPC A45C 11/00; A45C 11/005; A45C 11/008;
 A45C 11/02; A45C 11/04; A45C 11/043;
 A45C 11/046; A45C 11/06; A45C 11/08;
 A45C 11/10; A45C 11/12; A45C 11/14;
 A45C 11/16; A45C 11/18; A45C
 2011/001; A45C 2011/002; A45C
 2011/003; A45C 2011/006; A45C
 2011/007

See application file for complete search history.

(56) **References Cited**

U.S. PATENT DOCUMENTS

3,948,455 A * 4/1976 Schwartz B65D 83/0847
 206/394
 D301,202 S * 5/1989 Canet D3/203.3
 D327,743 S * 7/1992 Frenkel D24/227
 D466,801 S * 12/2002 Holland D9/757
 D528,782 S * 9/2006 Oas D3/203.3
 D575,956 S * 9/2008 Reardon D3/295
 8,381,911 B2 * 2/2013 Buchner B65D 83/04
 206/530
 D775,462 S * 1/2017 Noble D3/203.3
 D778,173 S * 2/2017 Pisarevsky D3/203.3
 D808,637 S * 1/2018 Andrews A61J 7/0084
 D3/203.1
 D860,636 S * 9/2019 Moody D3/203.3
 D897,665 S * 10/2020 Guo D3/203.3

D898,348 S * 10/2020 Guo D3/203.3
 D918,572 S * 5/2021 Guo D3/203.2
 D919,283 S * 5/2021 Guo D3/203.3
 D940,450 S * 1/2022 Chen D3/203.3
 D949,551 S * 4/2022 Yang D3/205
 D950,234 S * 5/2022 Chen D3/203.3
 2010/0044270 A1 * 2/2010 Noble B65D 83/04
 206/538

FOREIGN PATENT DOCUMENTS

CN 306657086 * 2/2021
 GB 6132557 * 4/2021

OTHER PUBLICATIONS

7 Day Weekly Pill Organizer by mbarc, available at amazon.com, earliest date available Oct. 1, 2019 [online], site visited Jul. 22, 2022, available from the internet URL: <https://www.amazon.com/Day-Weekly-Pill-Organizer-mbarc/dp/B07Y412M4Y> (Year: 2019).
 * Zannaki Metal Moisture Proof Weekly Pill Organizer, available at amazon.com, earliest date available Jan. 9, 2021 [online], site visited Jul. 22, 2022, available from the internet URL: <https://www.amazon.com/dp/B08MBXTHSN/> (Year: 2021).
 * 2pcs Weekly 7 Day Pill Organizer, available at amazon.com, earliest date available 2022 [online], site visited Jul. 22, 2022, available from the internet URL: <https://www.amazon.com/dp/B09SPH4T8W/> (Year: 2022).
 *

* cited by examiner

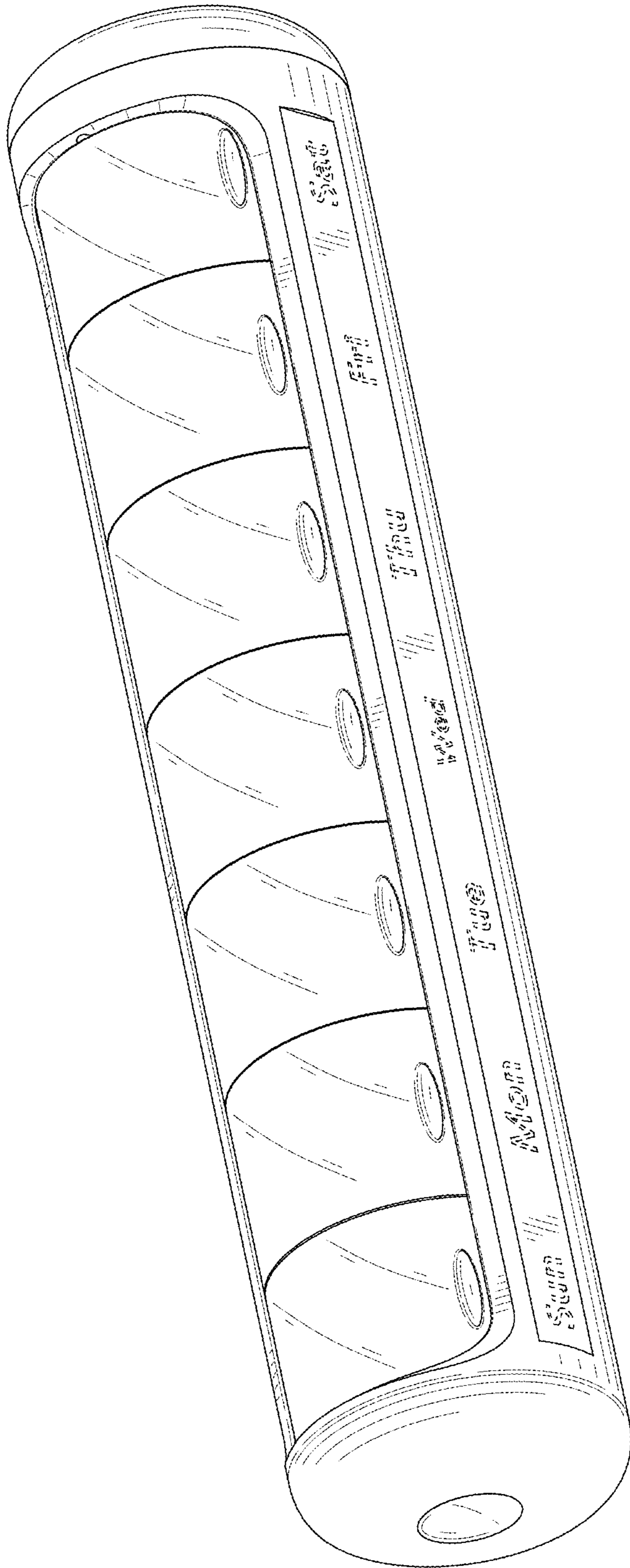


FIG. 1

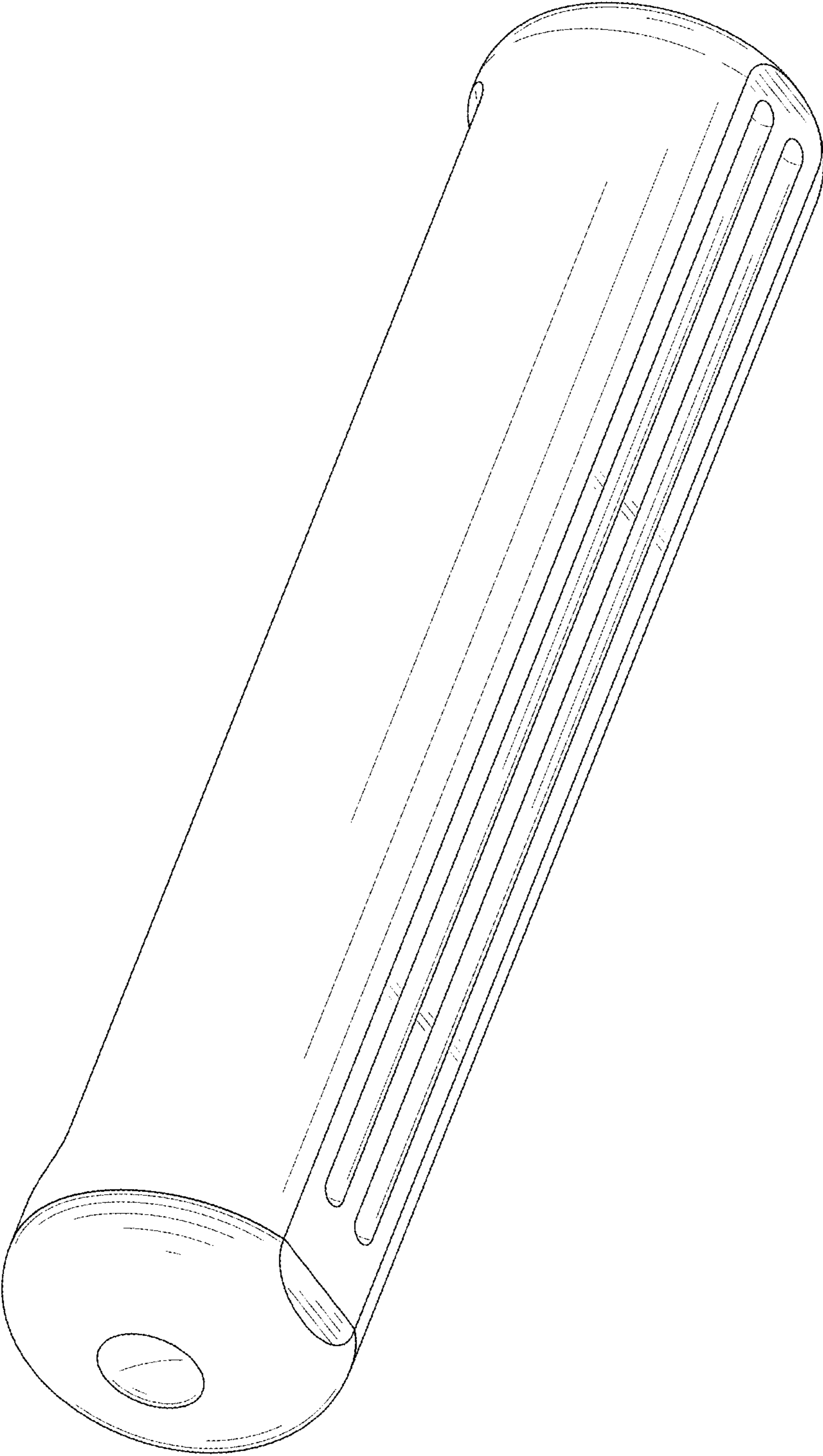


FIG. 2

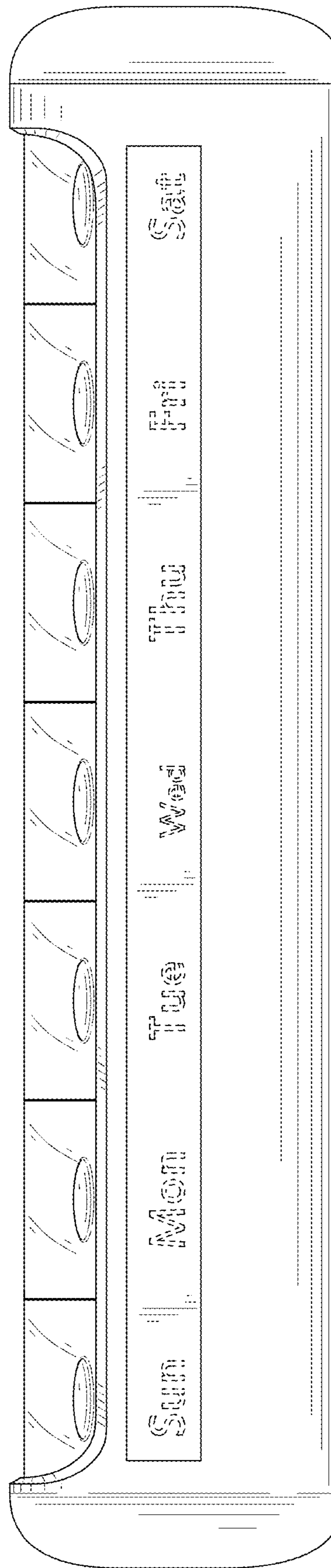


FIG. 3

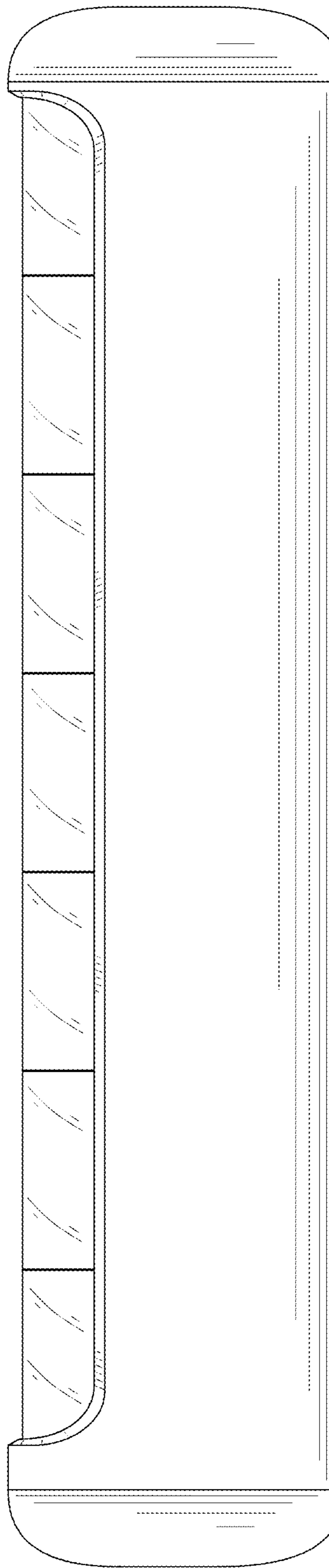


FIG. 4

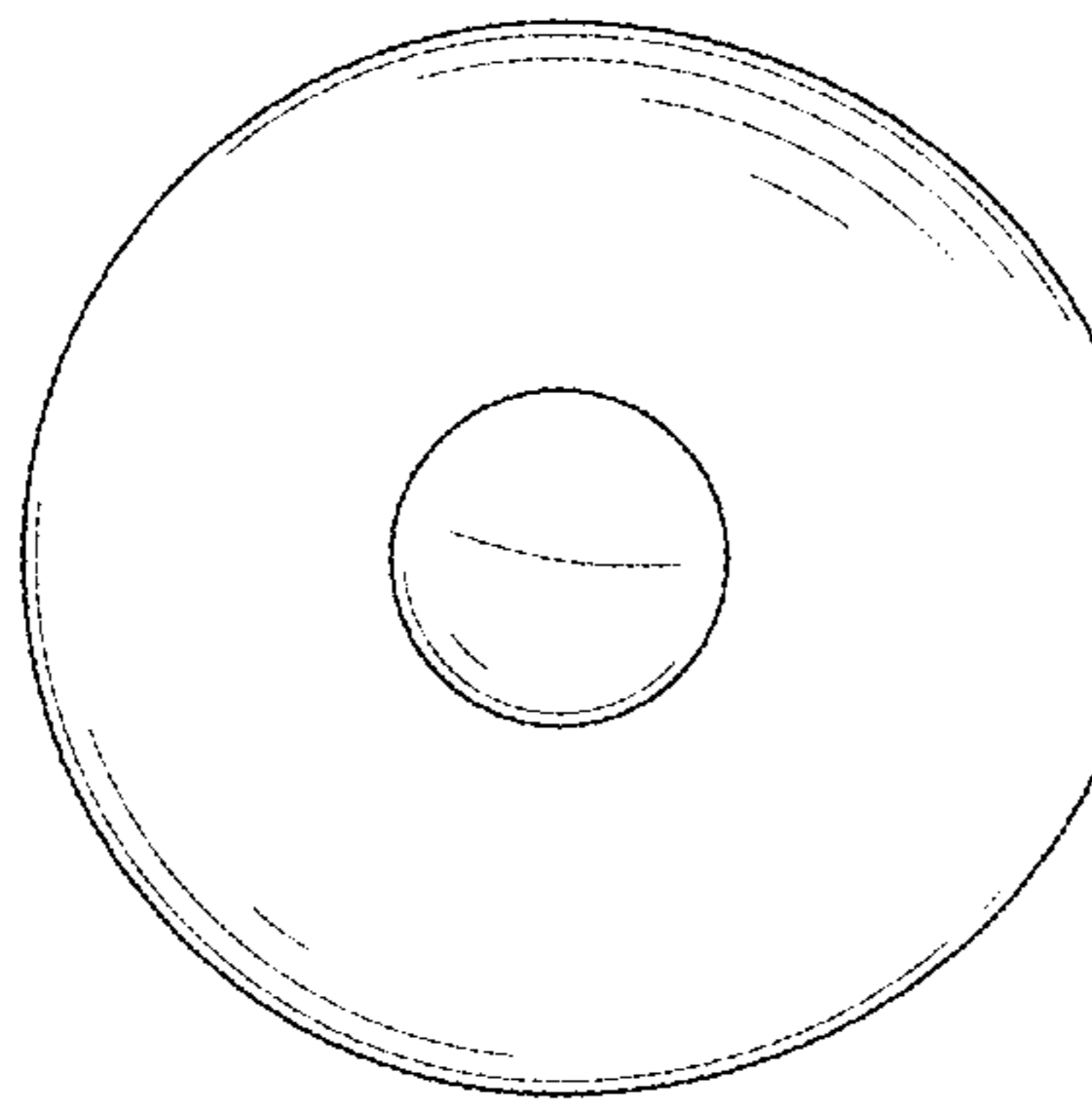


FIG. 5

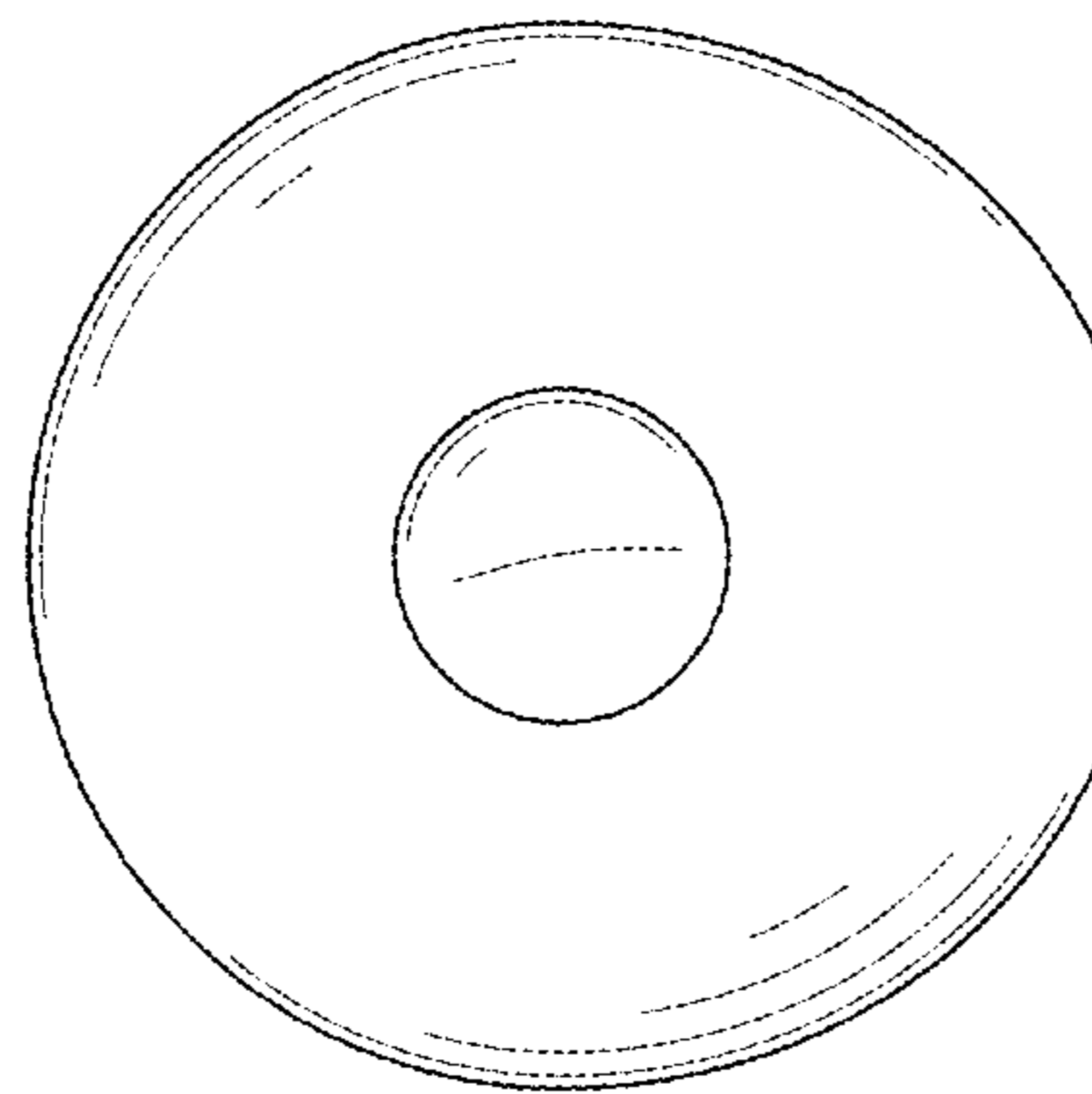


FIG. 6

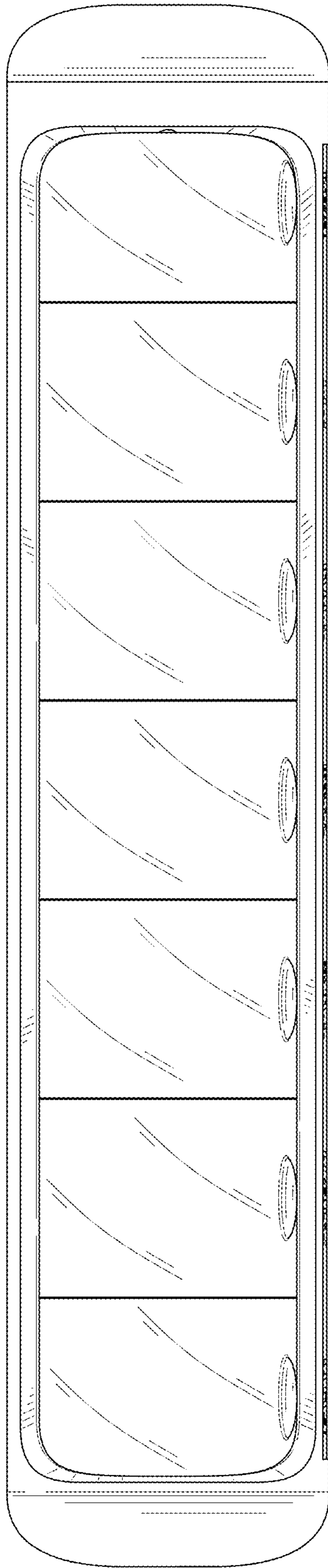


FIG. 7

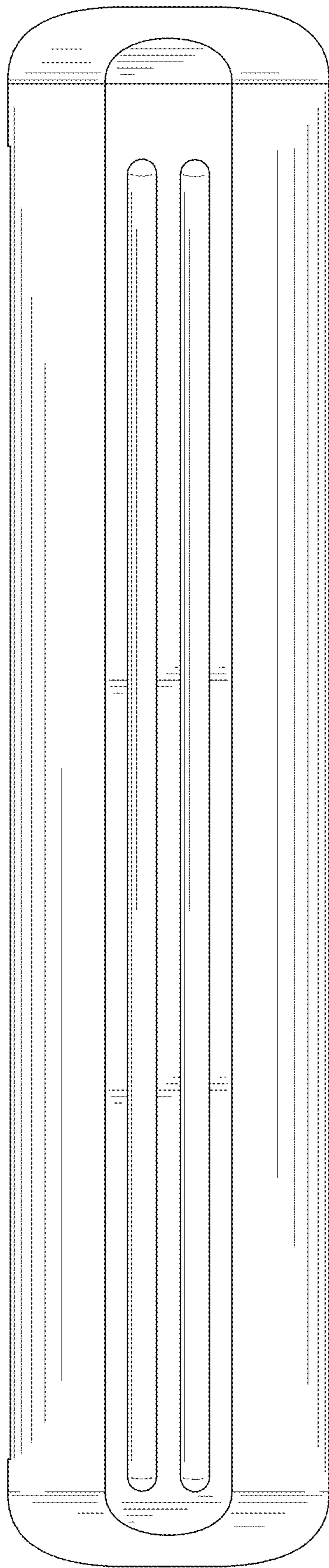


FIG. 8

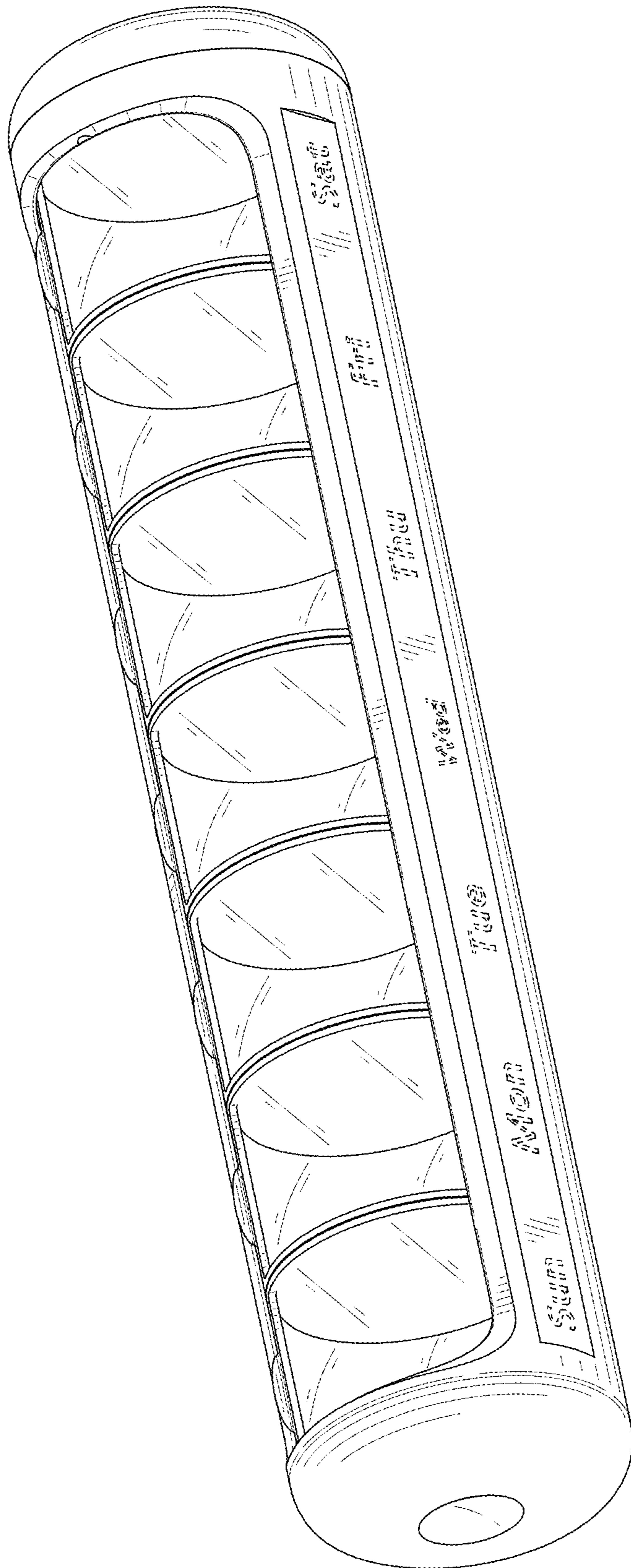


FIG. 9