



US00D966692S

(12) **United States Design Patent**
Evancho

(10) **Patent No.:** **US D966,692 S**

(45) **Date of Patent:** **** *Oct. 18, 2022**

(54) **MULTI-CONFIGURABLE TOTE BAG/SAC**

(71) Applicant: **Mary Evancho**, New York, NY (US)

(72) Inventor: **Mary Evancho**, New York, NY (US)

(73) Assignee: **KRAGSAC LLC**, New York, NY (US)

(*) Notice: This patent is subject to a terminal disclaimer.

(**) Term: **15 Years**

(21) Appl. No.: **29/736,166**

(22) Filed: **May 28, 2020**

Related U.S. Application Data

(63) Continuation of application No. 29/641,861, filed on Mar. 26, 2018, now Pat. No. Des. 885,746.

(51) **LOC (13) Cl.** **03-01**

(52) **U.S. Cl.**
USPC **D3/201**

(58) **Field of Classification Search**
USPC D3/201, 207, 208, 215, 226, 228, 229,
D3/239, 269, 273, 290, 299, 303, 304,
D3/316, 318; D9/702, 703, 705
(Continued)

(56) **References Cited**

U.S. PATENT DOCUMENTS

D497,050 S * 10/2004 Grambush D3/246
D588,353 S * 3/2009 Khubani D3/201
(Continued)

Primary Examiner — Calvin E Vansant

(57) **CLAIM**

The ornamental design for a multi-configurable tote bag/sac, as shown and described.

DESCRIPTION

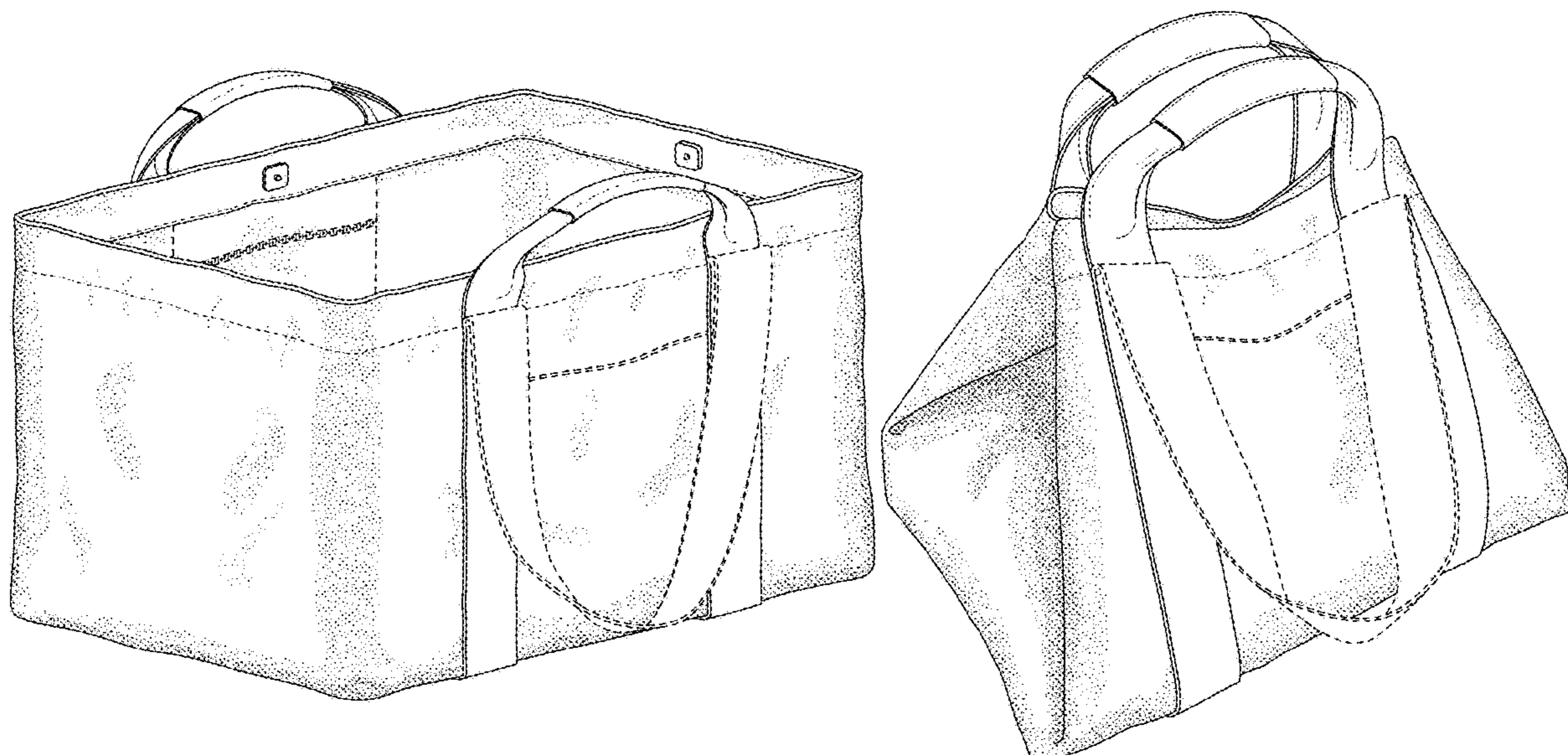
FIG. 1 is a front left perspective view of the multi-configurable tote bag/sac in an open configuration; FIG. 2 is a front elevational view thereof, the rear elevational view being identical; FIG. 3 is a right side elevational view thereof, the left side elevational view being identical; FIG. 4 is a top plan view thereof; FIG. 5 is a bottom plan view thereof; FIG. 6 is a front left perspective view of the multi-configurable tote bag/sac in a one-way closure configuration; FIG. 7 is a front elevational view thereof, the rear elevational view being identical; FIG. 8 is a right side elevational view thereof, the left side elevational view being identical; FIG. 9 is a top plan view thereof; FIG. 10 is a bottom plan view thereof; FIG. 11 is a front left perspective view of the multi-configurable tote bag/sac in a two-way closure configuration; FIG. 12 is a front elevational view thereof, the rear elevational view being identical; FIG. 13 is a right side elevational view thereof, the left side elevational view being identical; FIG. 14 is a top plan view thereof; and, FIG. 15 is a bottom plan view thereof.

The broken line along the top edge of the multi-configurable tote bag/sac is for the purpose of illustrating stitching and forms no part of the claimed design.

The broken lines showing pockets are for the purpose of illustrating functionality and/or environmental structure and form no part of the claimed design.

The broken lines showing shoulder straps are for the purpose of illustrating functionality and/or environmental structure and form no part of the claimed design.

1 Claim, 15 Drawing Sheets



(58) **Field of Classification Search**

CPC A45F 3/04; A45C 3/00; A45C 3/06; A45C
2003/007; A45C 2003/008

See application file for complete search history.

(56) **References Cited**

U.S. PATENT DOCUMENTS

D637,809 S * 5/2011 Meldeau D3/232
D717,040 S * 11/2014 Swartzel D3/232
D720,131 S * 12/2014 Siegel D3/233
D739,654 S * 9/2015 Brouard D3/276
D751,815 S * 3/2016 Pedrazzi D3/245
D758,731 S * 6/2016 Noh D3/304
D776,929 S * 1/2017 Noh D3/315
D801,043 S * 10/2017 Lucas D3/246
D832,571 S * 11/2018 Franklin-Daisey D3/201
D832,579 S * 11/2018 Monroe D3/307
D855,982 S * 8/2019 McGinn D3/246
D866,951 S * 11/2019 Evancho D3/201
D883,666 S * 5/2020 Kim D3/276
D885,746 S * 6/2020 Evancho A45C 13/1023
D3/201
D886,537 S * 6/2020 Jacobsen A45C 3/04
D7/607
D918,570 S * 5/2021 Seiders A45C 7/009
D3/201
D951,642 S * 5/2022 Redaelli De Zinis D3/246
2013/0087423 A1 * 4/2013 Bettua A45C 7/009
190/105
2016/0286917 A1 * 10/2016 Lewis A45C 13/1023
2017/0099920 A1 * 4/2017 Bailey A45C 3/04

* cited by examiner

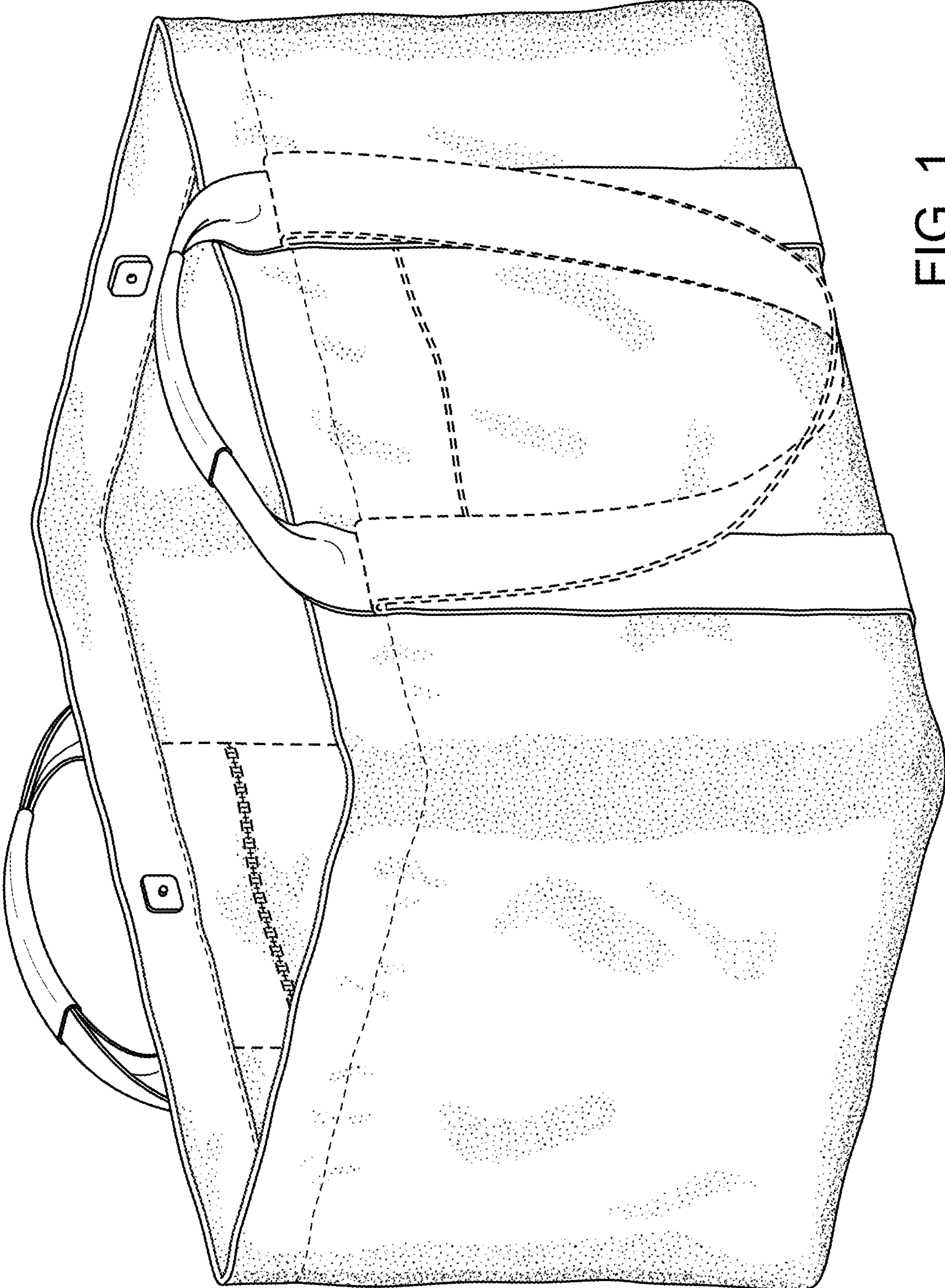


FIG. 1

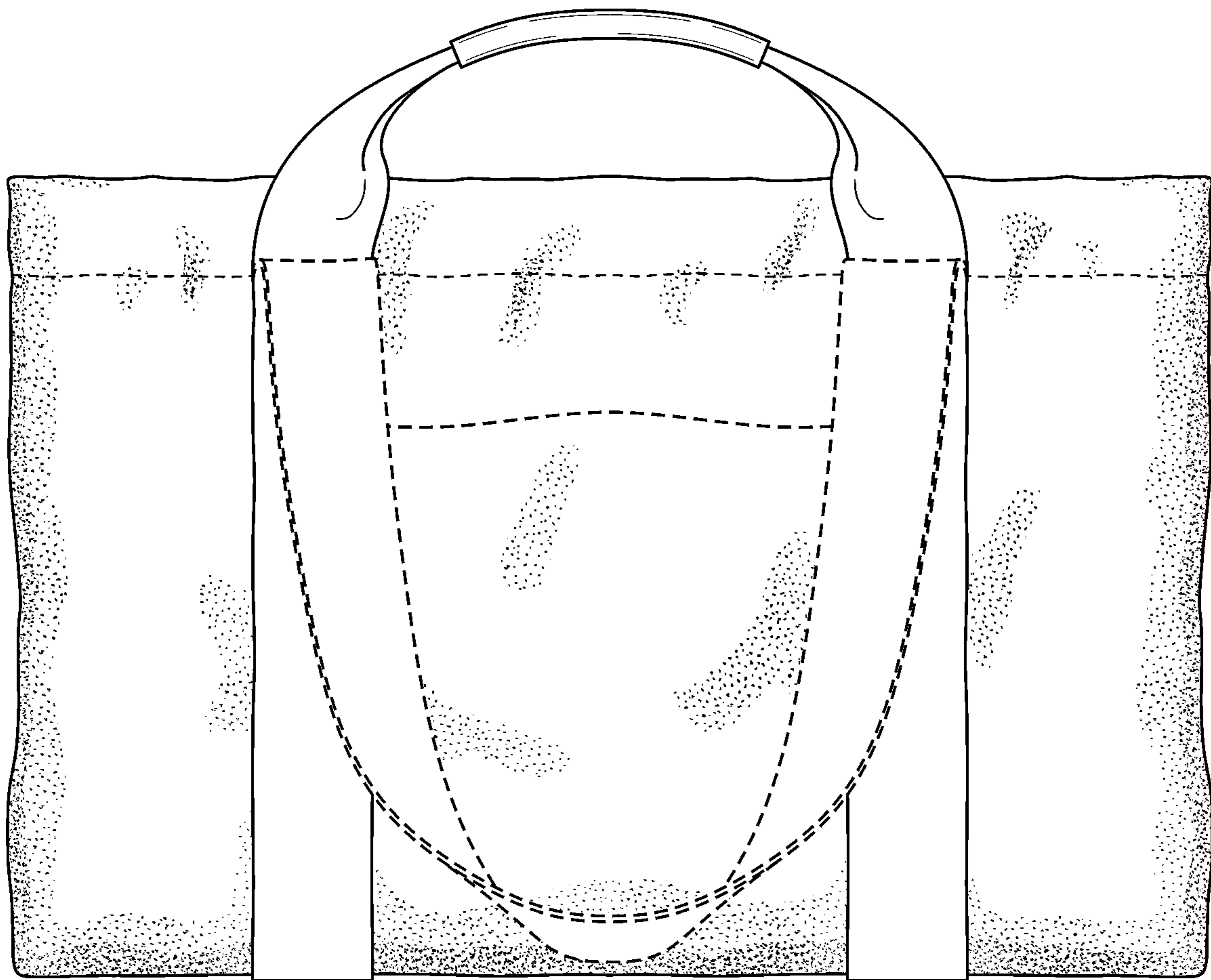


FIG. 2

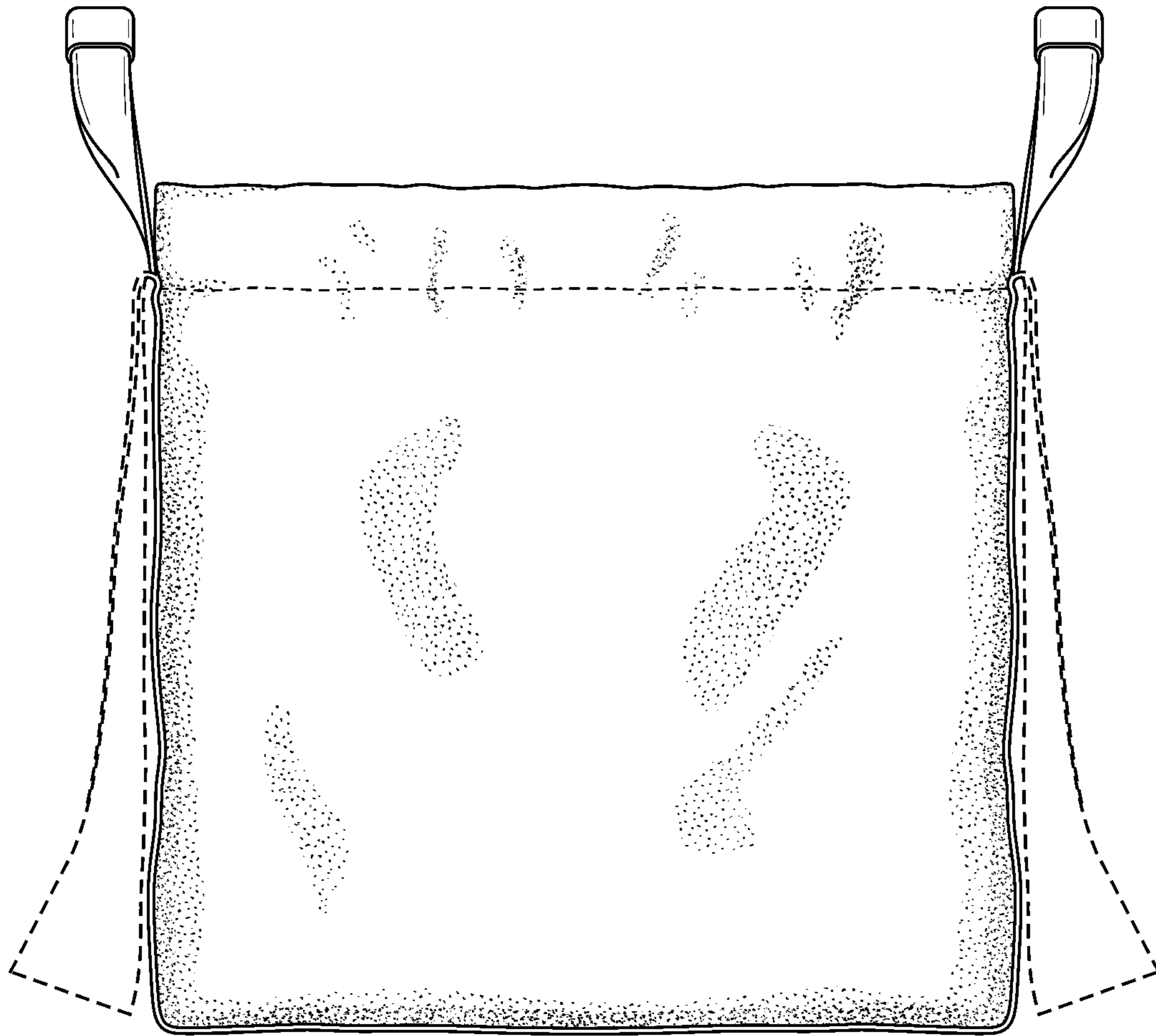


FIG. 3

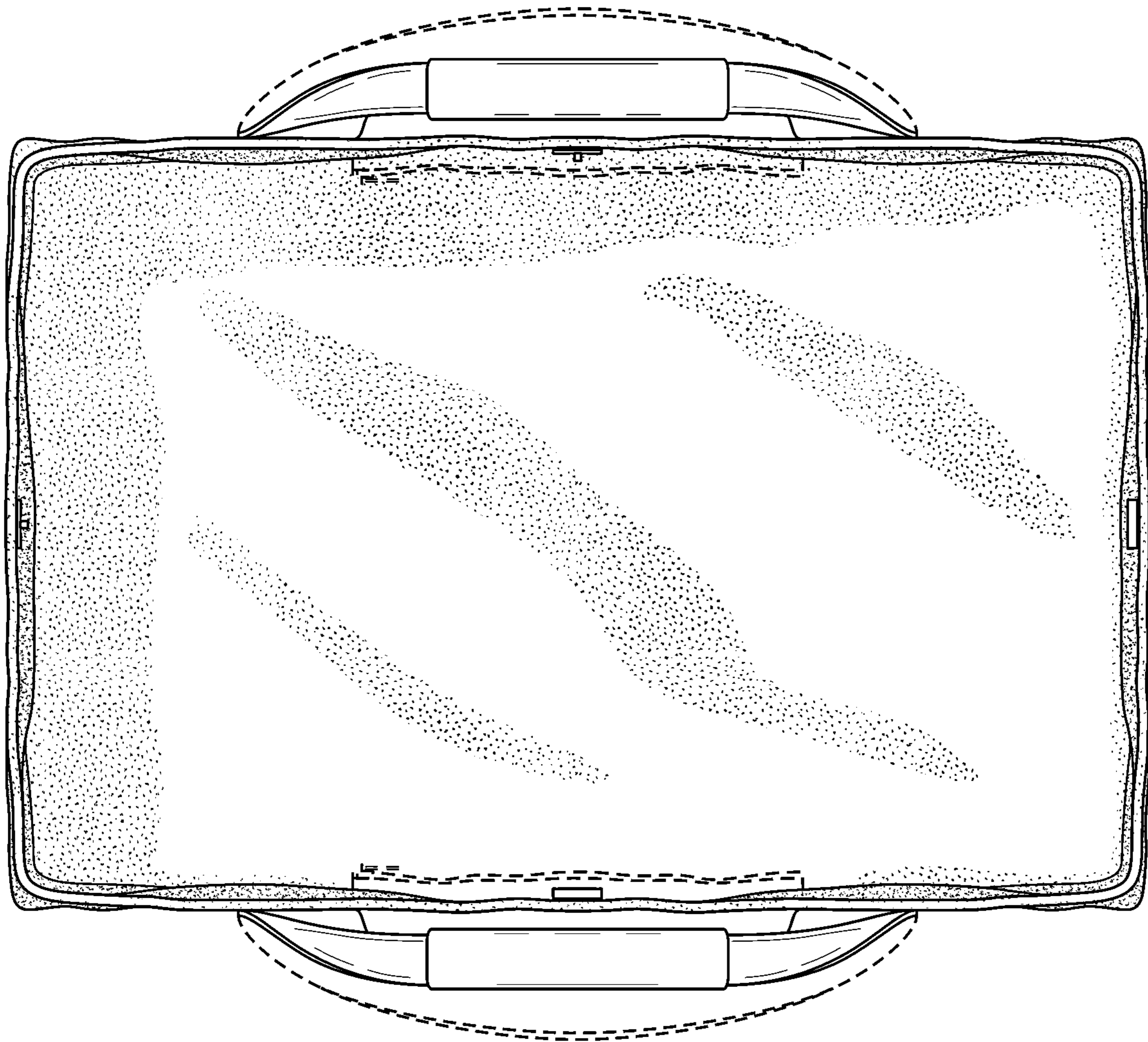


FIG. 4

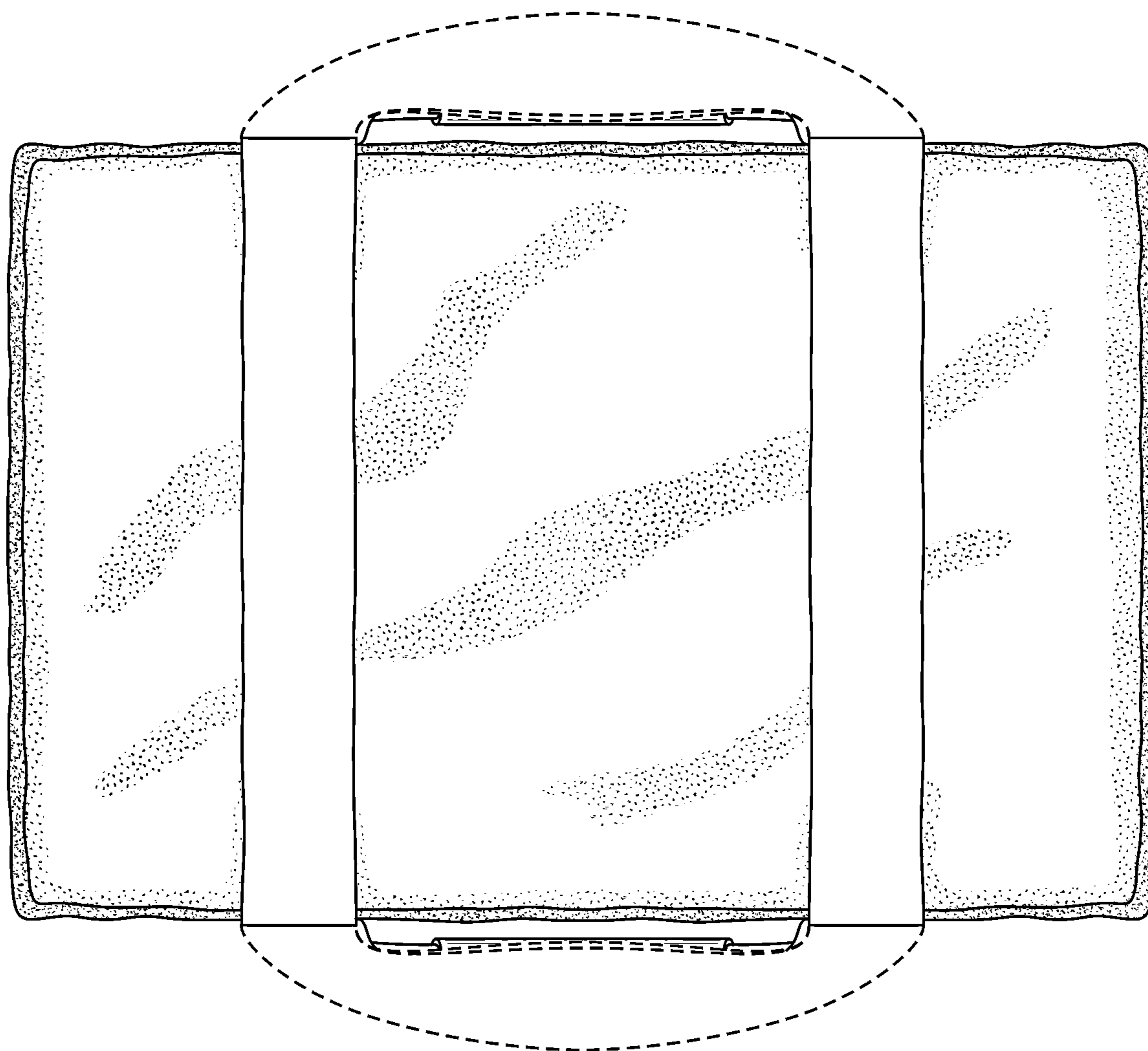


FIG. 5

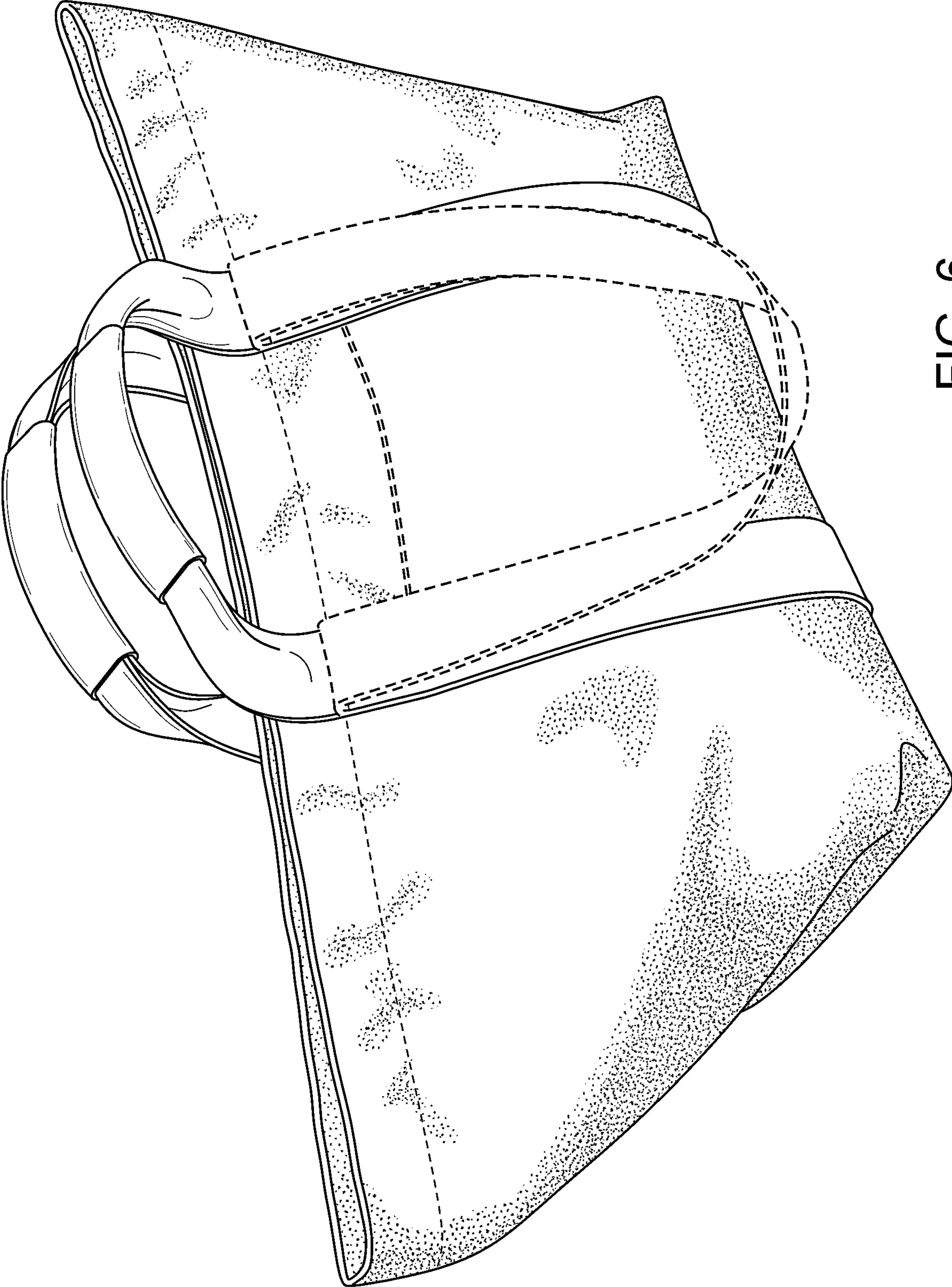


FIG. 6

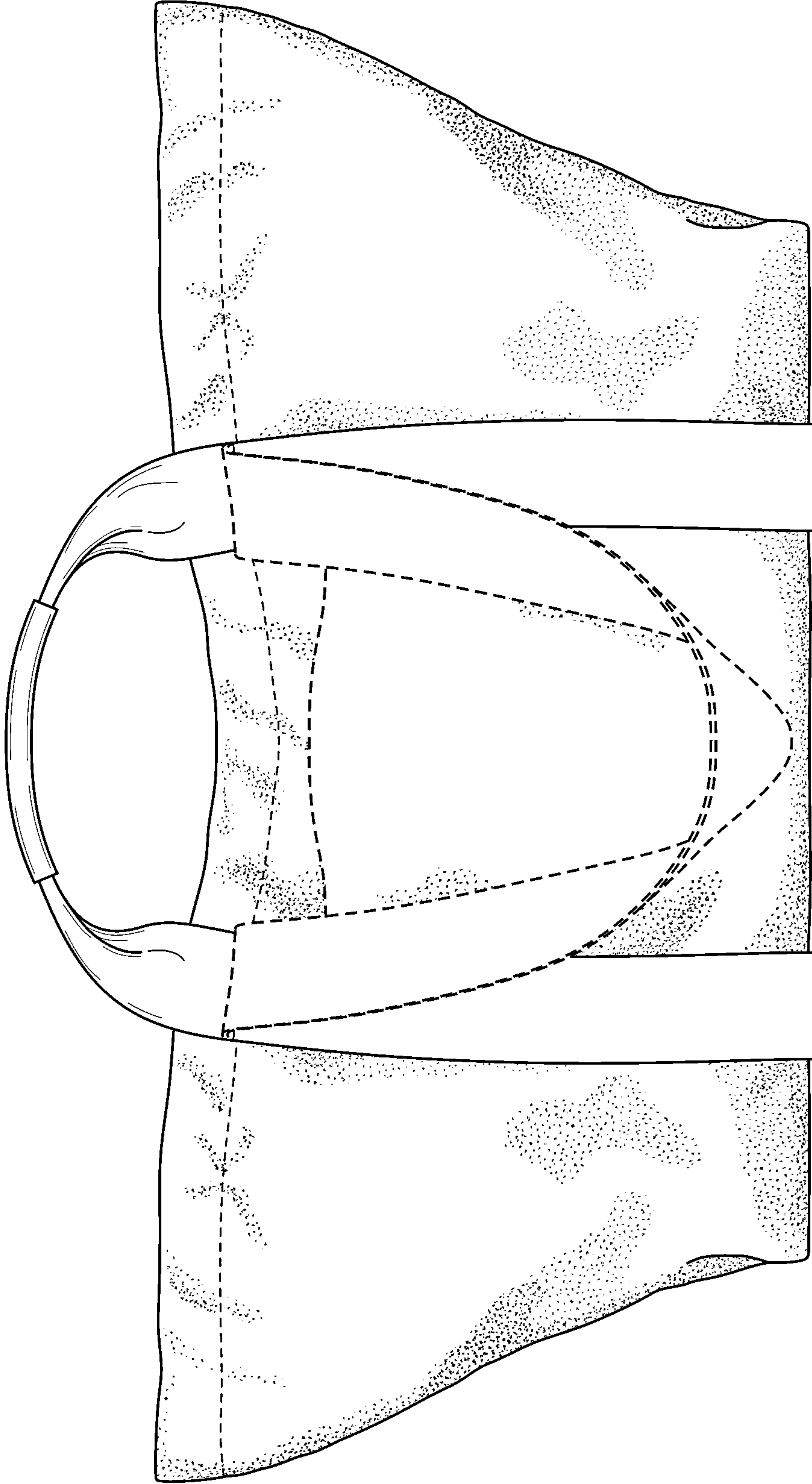


FIG. 7

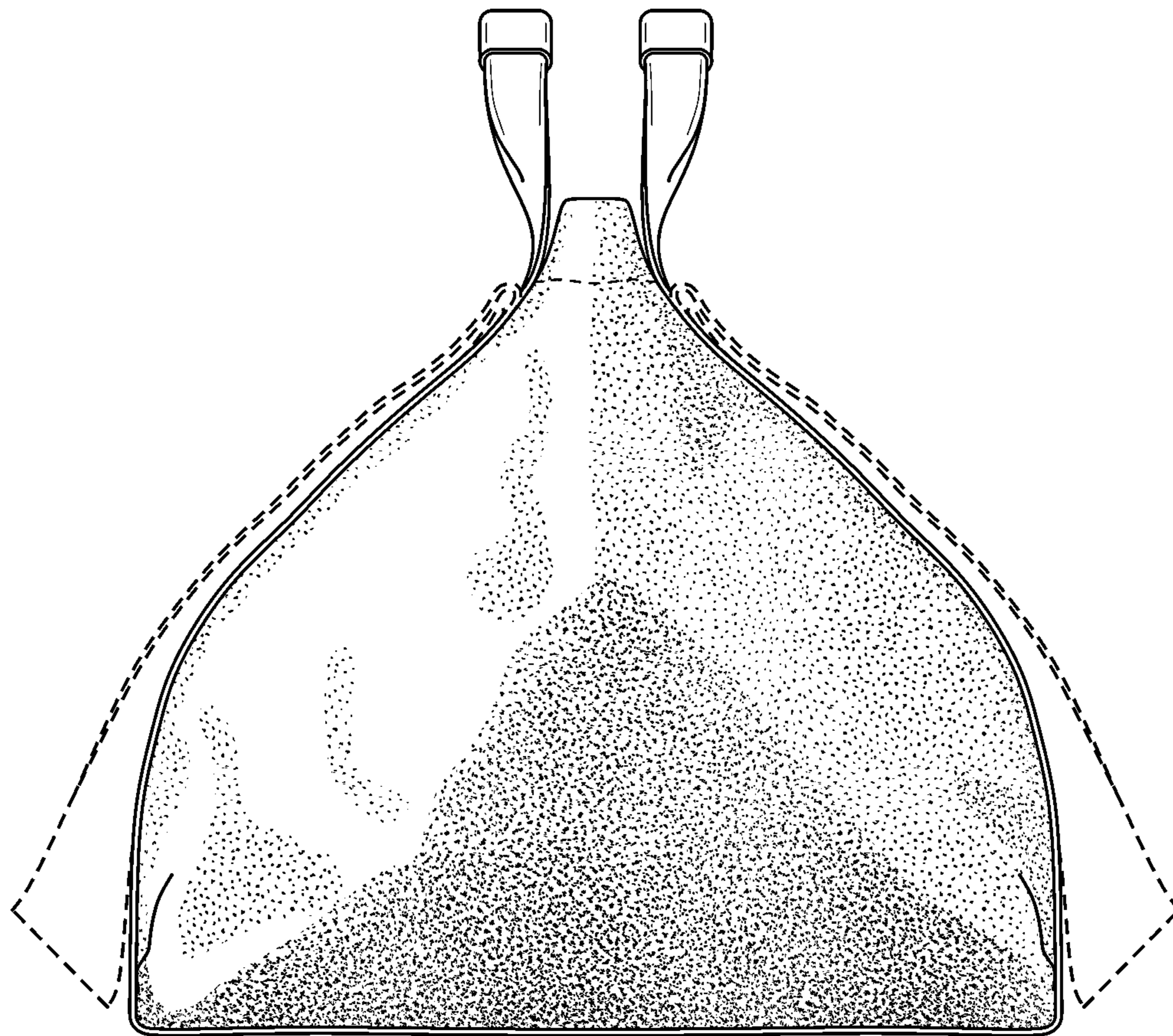


FIG. 8

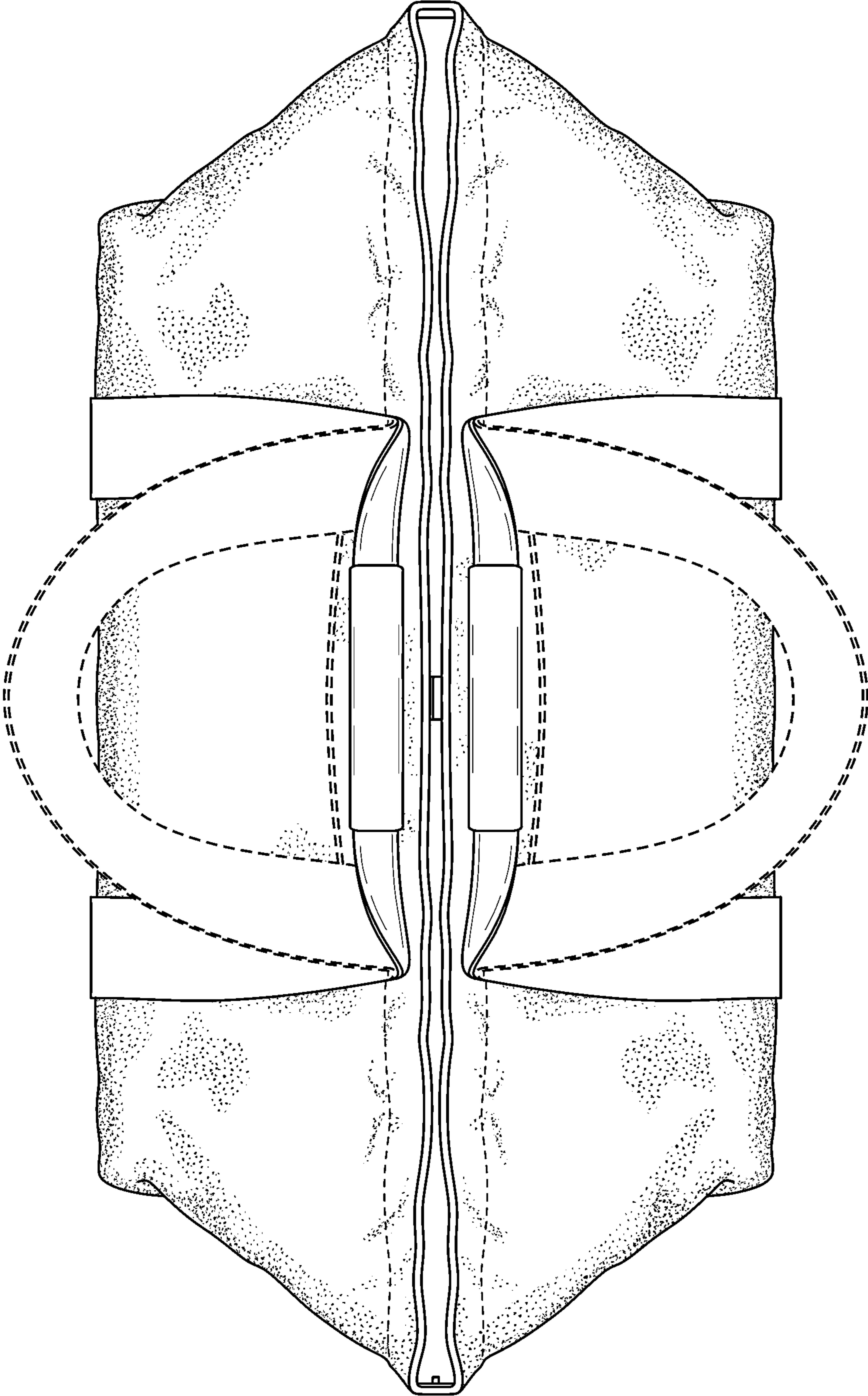


FIG. 9

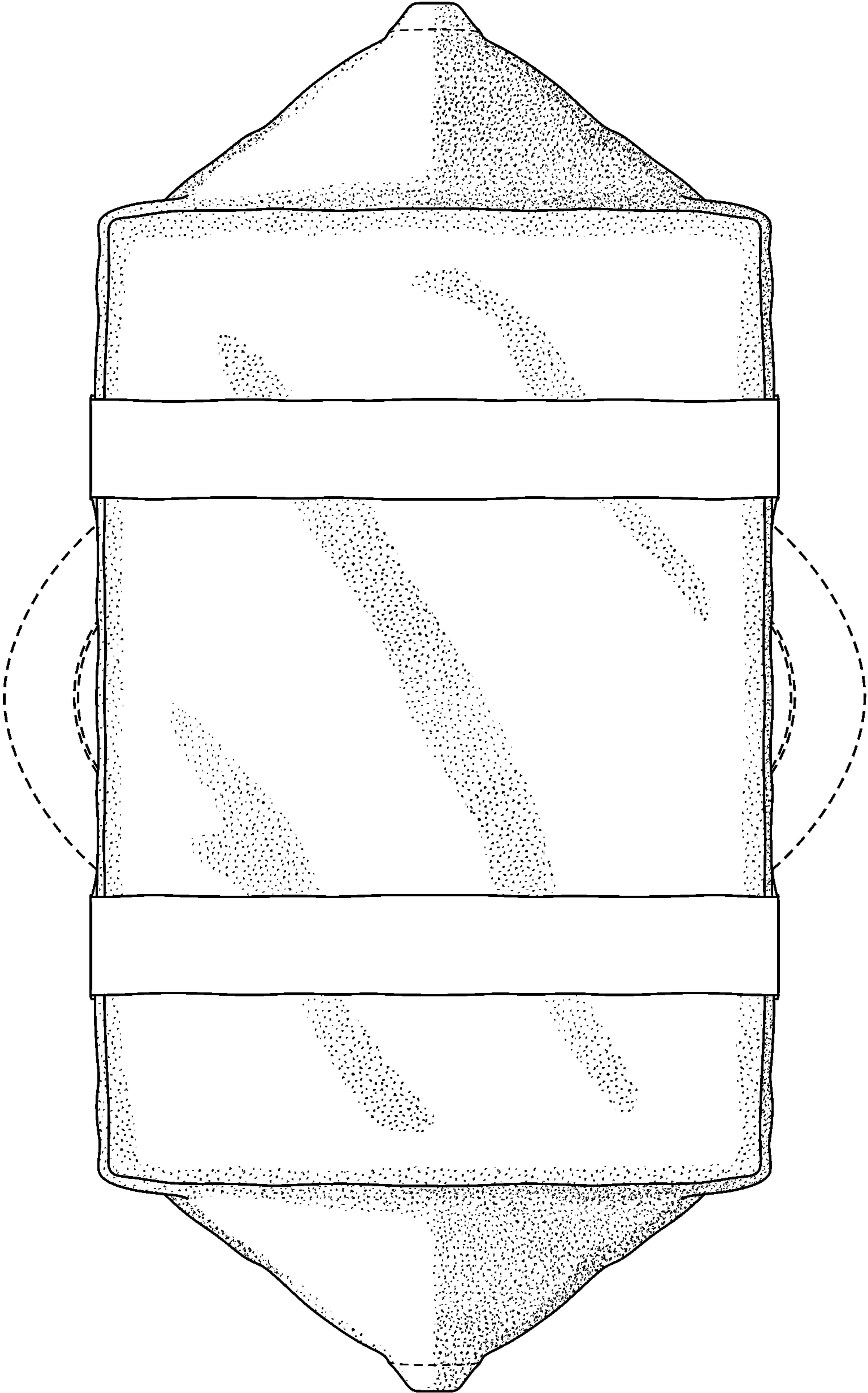


FIG. 10

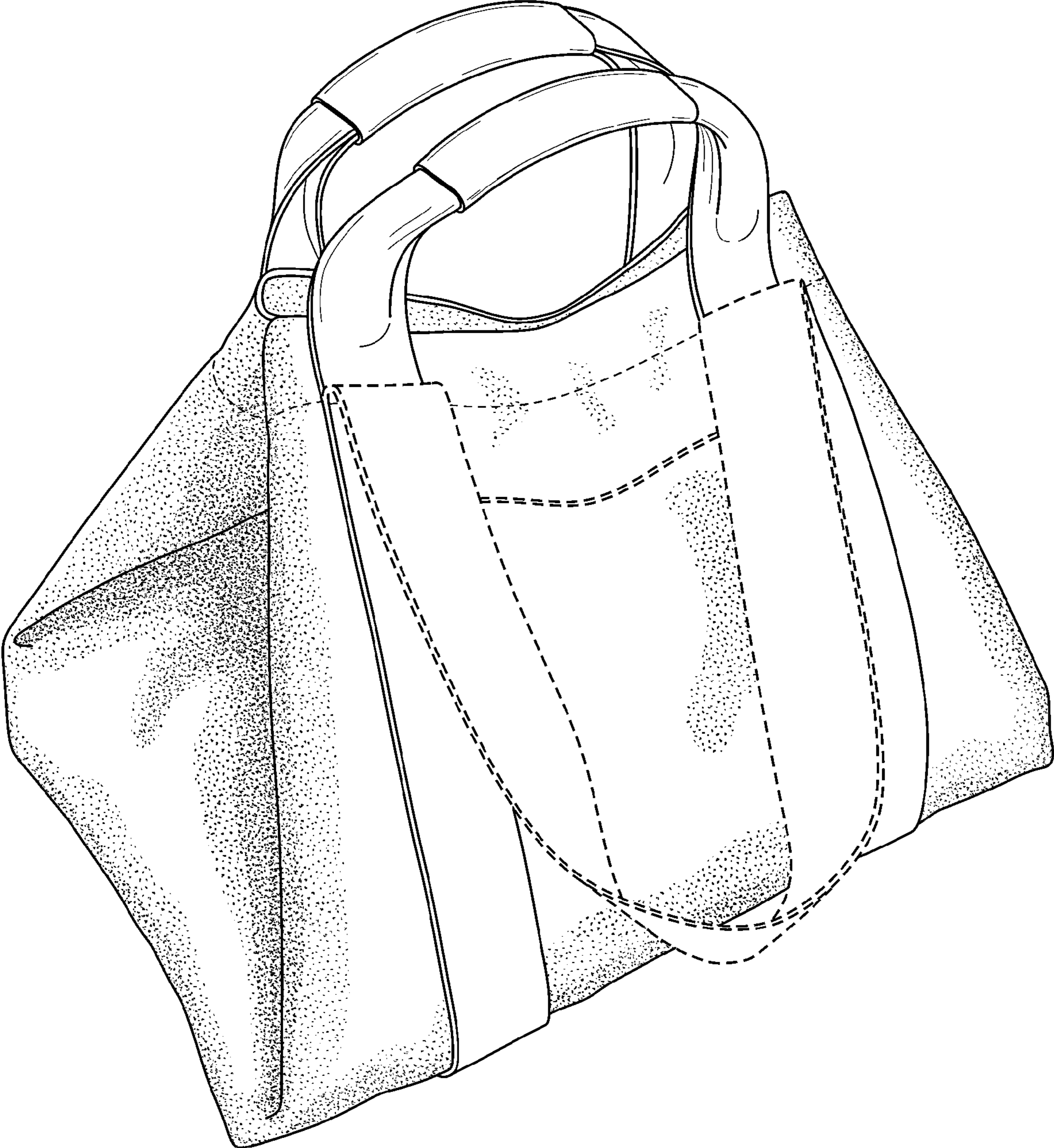


FIG. 11

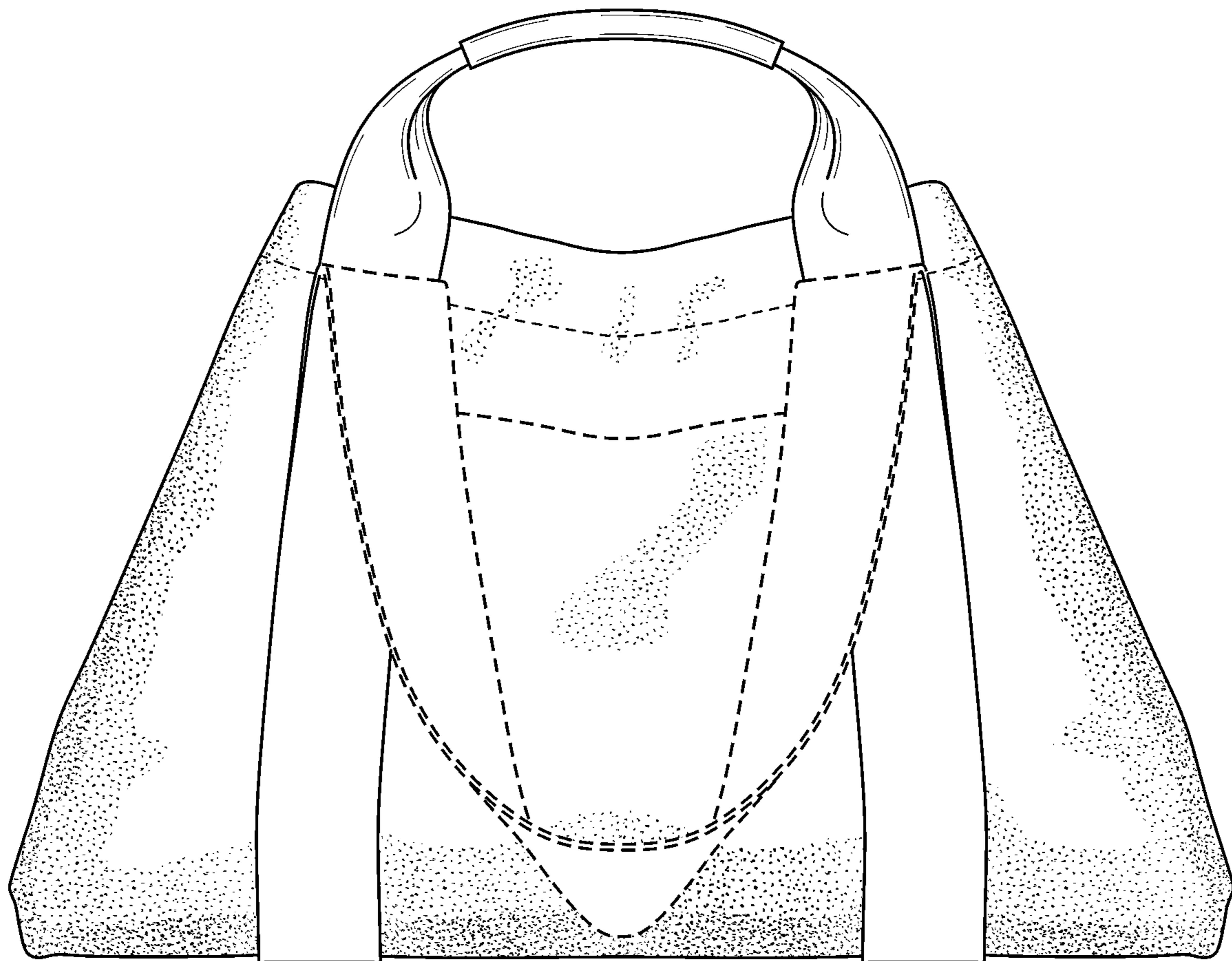


FIG. 12

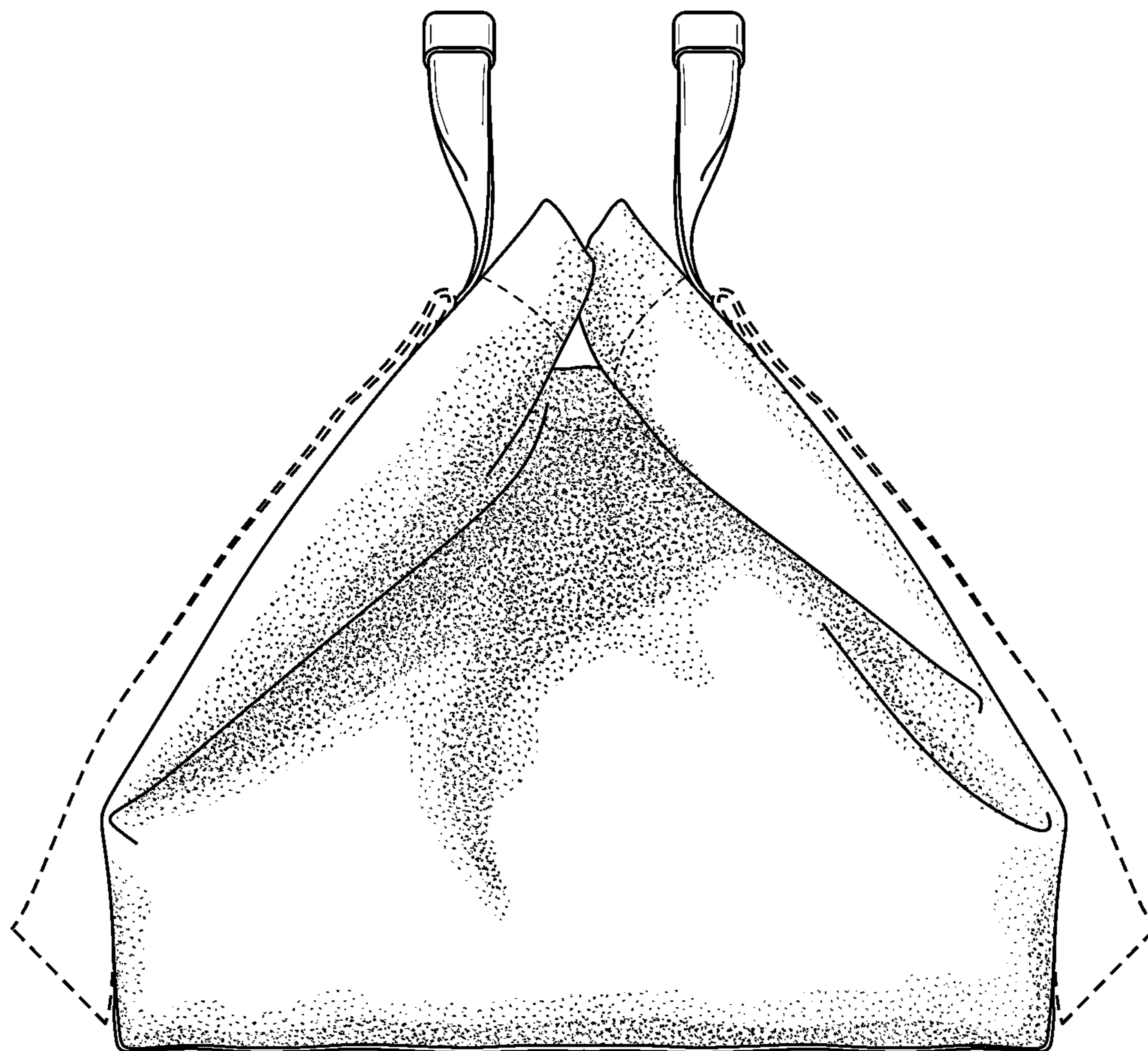


FIG. 13

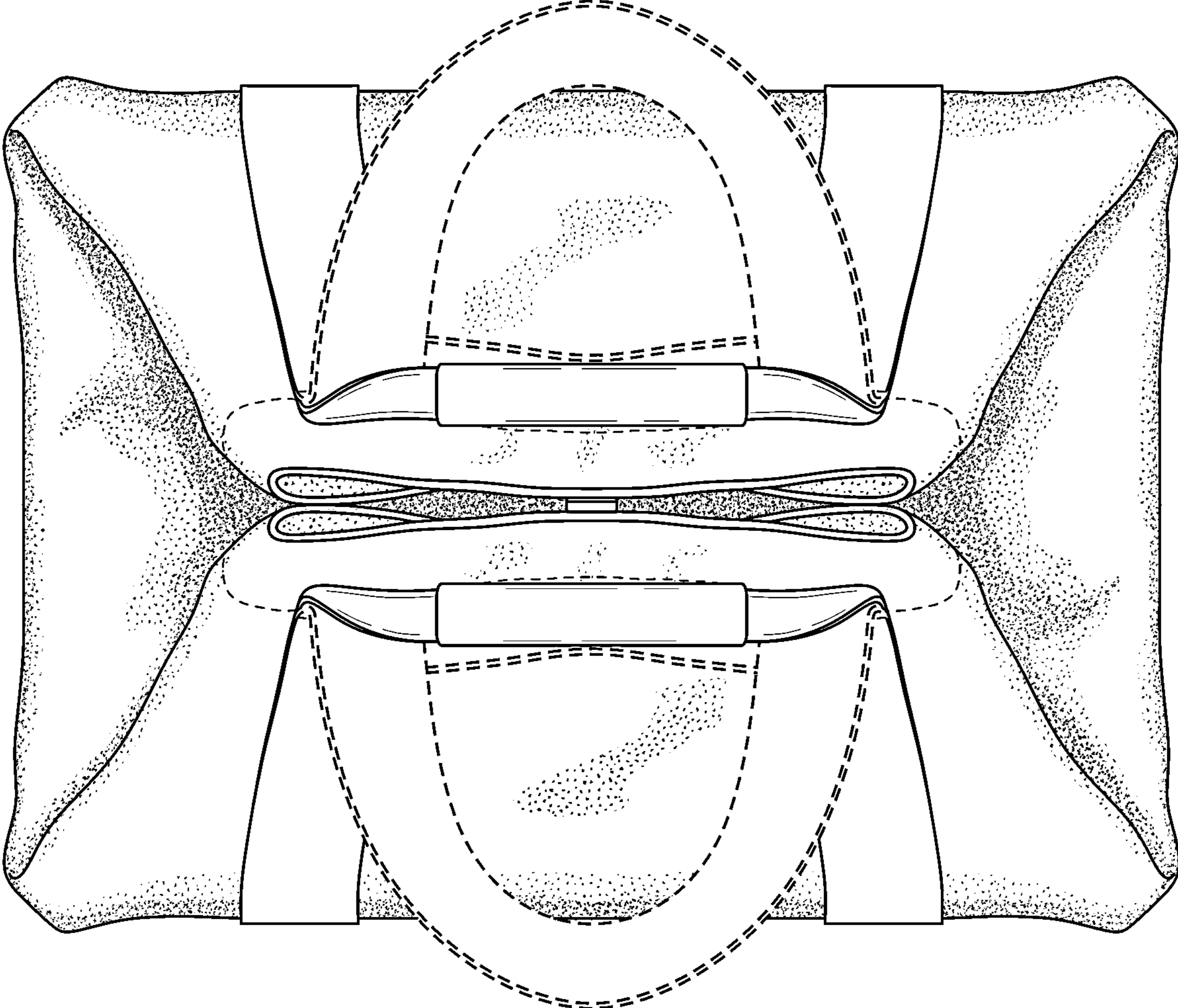


FIG. 14

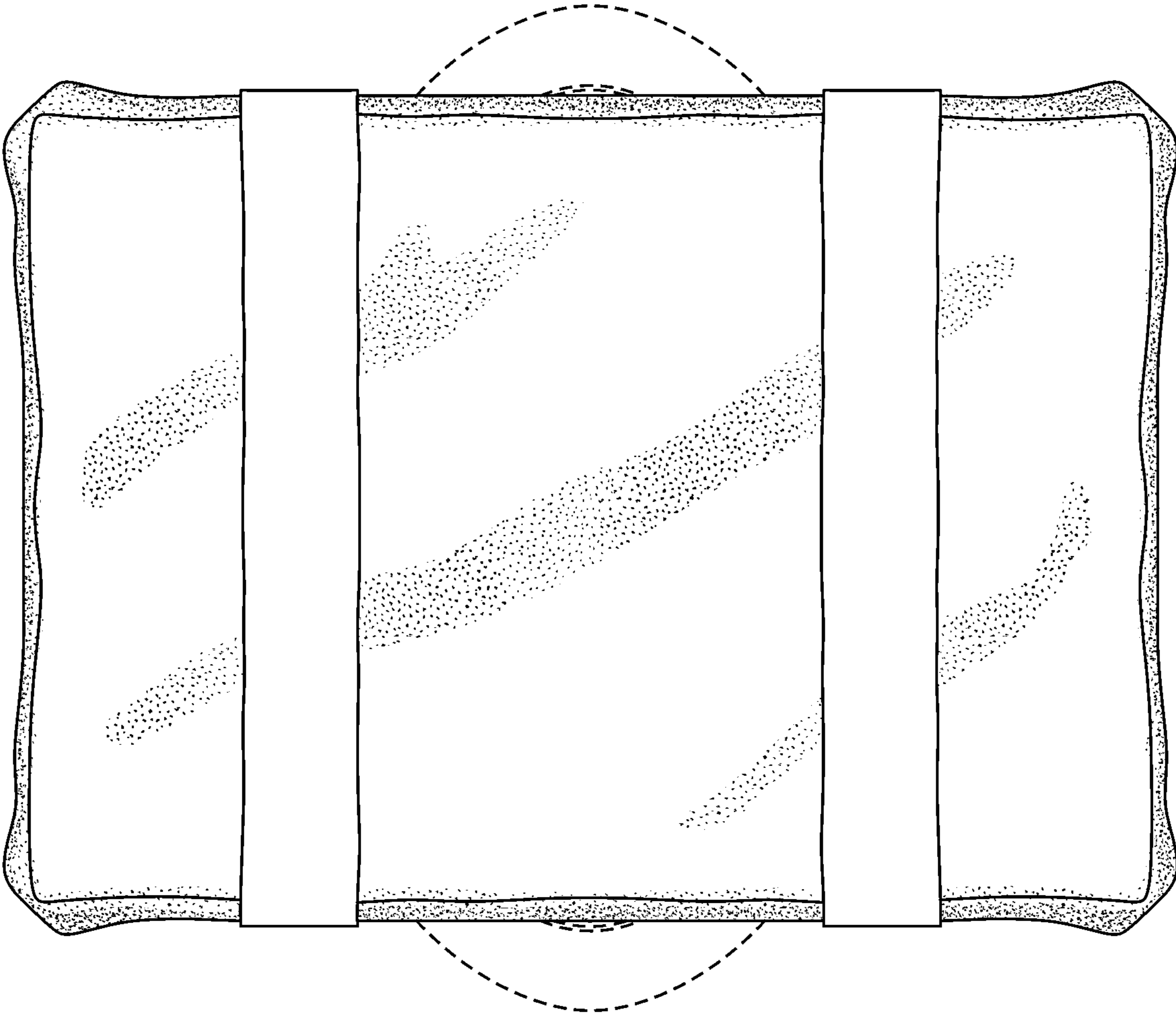


FIG. 15