



US00D966691S

(12) **United States Design Patent**
Osmond

(10) **Patent No.:** **US D966,691 S**

(45) **Date of Patent:** **** Oct. 18, 2022**

(54) **MOBILITY AID TIP**

(71) Applicant: **MDUB, LLC**, Santa Clara, UT (US)

(72) Inventor: **David Osmond**, Santa Clara, UT (US)

(73) Assignee: **MDUB, LLC**, Santa Clara, UT (US)

(**) Term: **15 Years**

(21) Appl. No.: **29/770,810**

(22) Filed: **Feb. 17, 2021**

(51) **LOC (13) Cl.** **03-03**

(52) **U.S. Cl.**
USPC **D3/17**

(58) **Field of Classification Search**

USPC D24/127-129, 110, 110.4, 110.5, 110.6,
D24/112, 113, 121, 186, 231, 189-190,
D24/155; D3/10, 17

CPC .. A41D 19/00; A41D 19/0017; A41D 19/015;
A41D 19/0055; A61B 17/80

See application file for complete search history.

(56) **References Cited**

U.S. PATENT DOCUMENTS

D408,268 S *	4/1999	Dunn	D8/354
D516,729 S *	3/2006	Liedtke	D24/189
D670,077 S *	11/2012	Jiang	D3/17
8,678,021 B2 *	3/2014	Vasilatos	A61H 3/0288 135/84
D743,162 S *	11/2015	Adams	D3/10
D748,262 S *	1/2016	Blain	D24/155
D810,942 S *	2/2018	Blain	D24/155
D950,071 S *	4/2022	Eggeling	D24/189
D952,323 S *	5/2022	Kohen	D3/10
D954,952 S *	6/2022	Poon	D24/155
D955,100 S *	6/2022	Moreno	D3/10
D955,580 S *	6/2022	Poon	D24/155

2011/0259381 A1 *	10/2011	Adams	A45B 9/04 135/82
2013/0146740 A1 *	6/2013	Ma	E04H 12/2246 248/519
2014/0373887 A1 *	12/2014	Gray	A45B 9/04 135/77

OTHER PUBLICATIONS

As Seen on TV Campbell Posture Cane , Campbell, wdrake.com, [Post date unknown], [Site seen Aug. 17, 2022], Seen at URL: <https://www.wdrake.com/buy-as-seen-on-tv-campbell-posture-cane-stability-tip-369482> (Year: 2022).*

Support Cane Tip for elderly Standing Quad Mobility Stable Cane Support, AliExpress, [Post date unknown], [Site seen Aug. 17, 2022], Seen at URL: <https://www.aliexpress.com/item/2251832748072340.html?gatewayAdapt=4itemAdapt> (Year: 2022).*

* cited by examiner

Primary Examiner — Natasha Vujcic

Assistant Examiner — Gilbert B Ford

(74) *Attorney, Agent, or Firm* — Preston P. Frischknecht; Project CIP

(57) **CLAIM**

The ornamental design for a mobility aid tip, as shown and described.

DESCRIPTION

FIG. 1 is a top perspective view of a mobility aid tip;

FIG. 2 is a bottom perspective view;

FIG. 3 is a first side view;

FIG. 4 is a second side view;

FIG. 5 is a third side view;

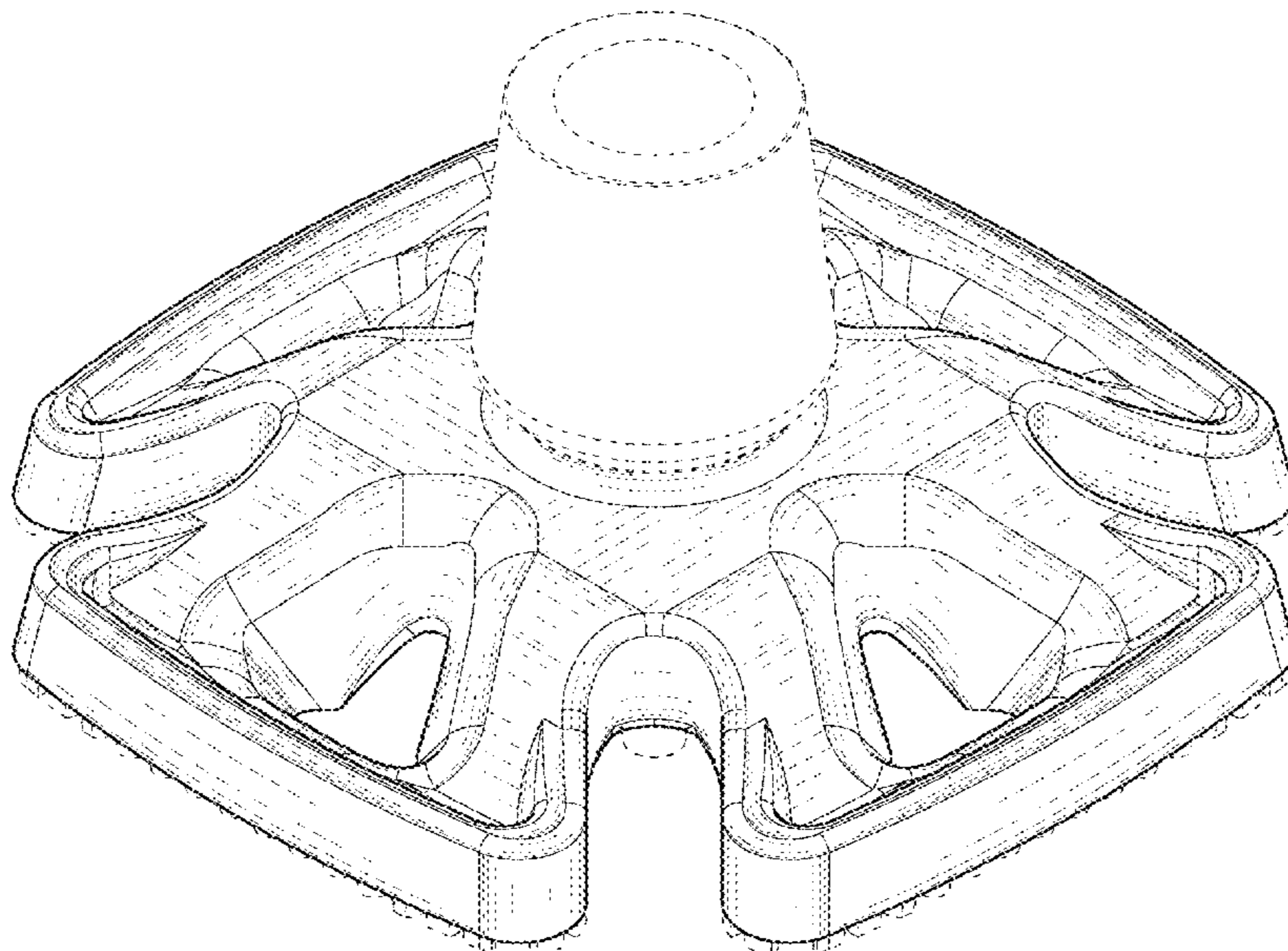
FIG. 6 is a fourth side view;

FIG. 7 is a top view; and,

FIG. 8 is a bottom view.

The dashed lines depict portions of the mobility aid tip that form no part of the claimed design. The dash dot dot lines depict boundary lines of the mobility aid tip that form no part of the claimed design.

1 Claim, 6 Drawing Sheets



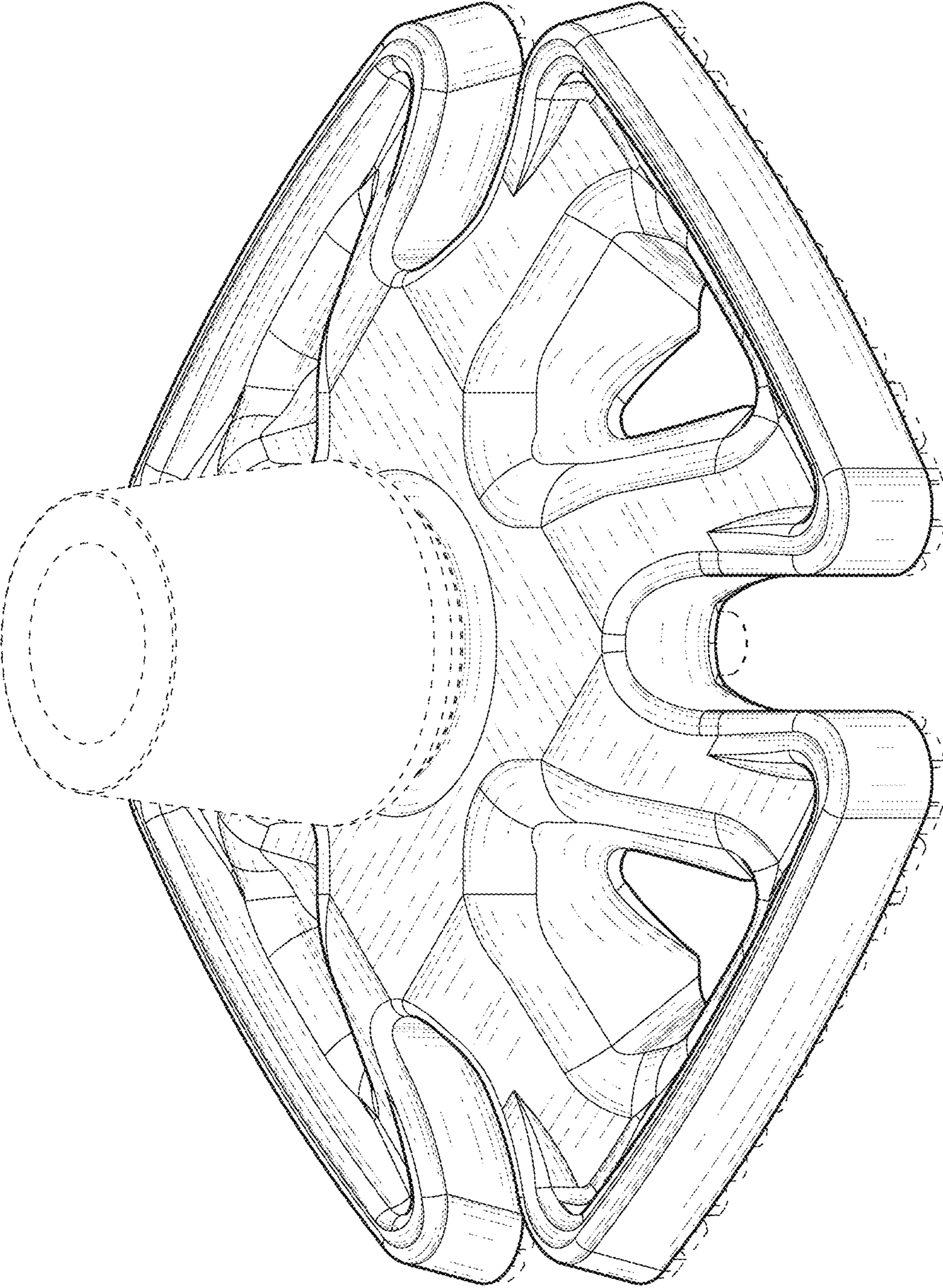


FIG. 1

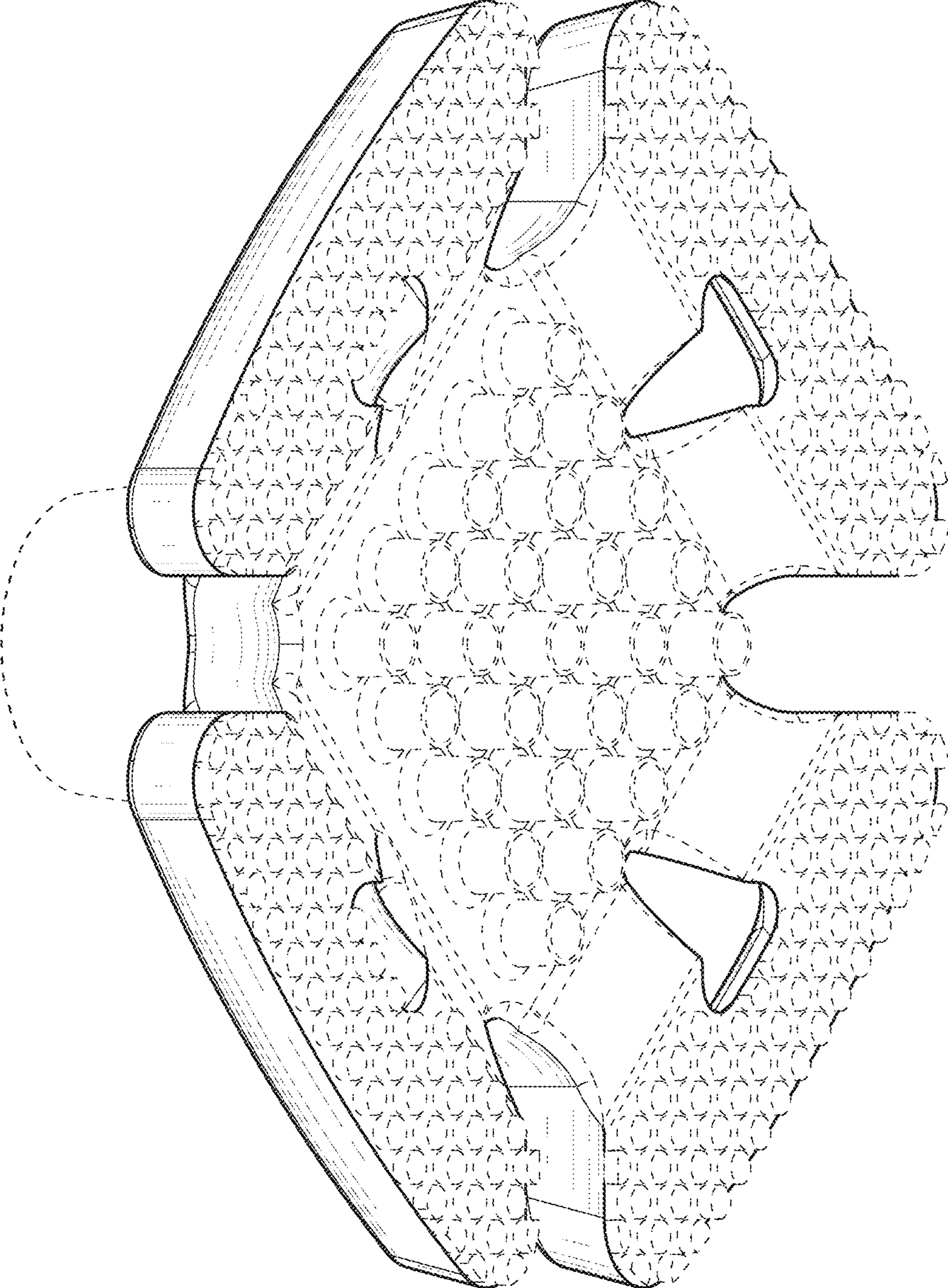


FIG. 2

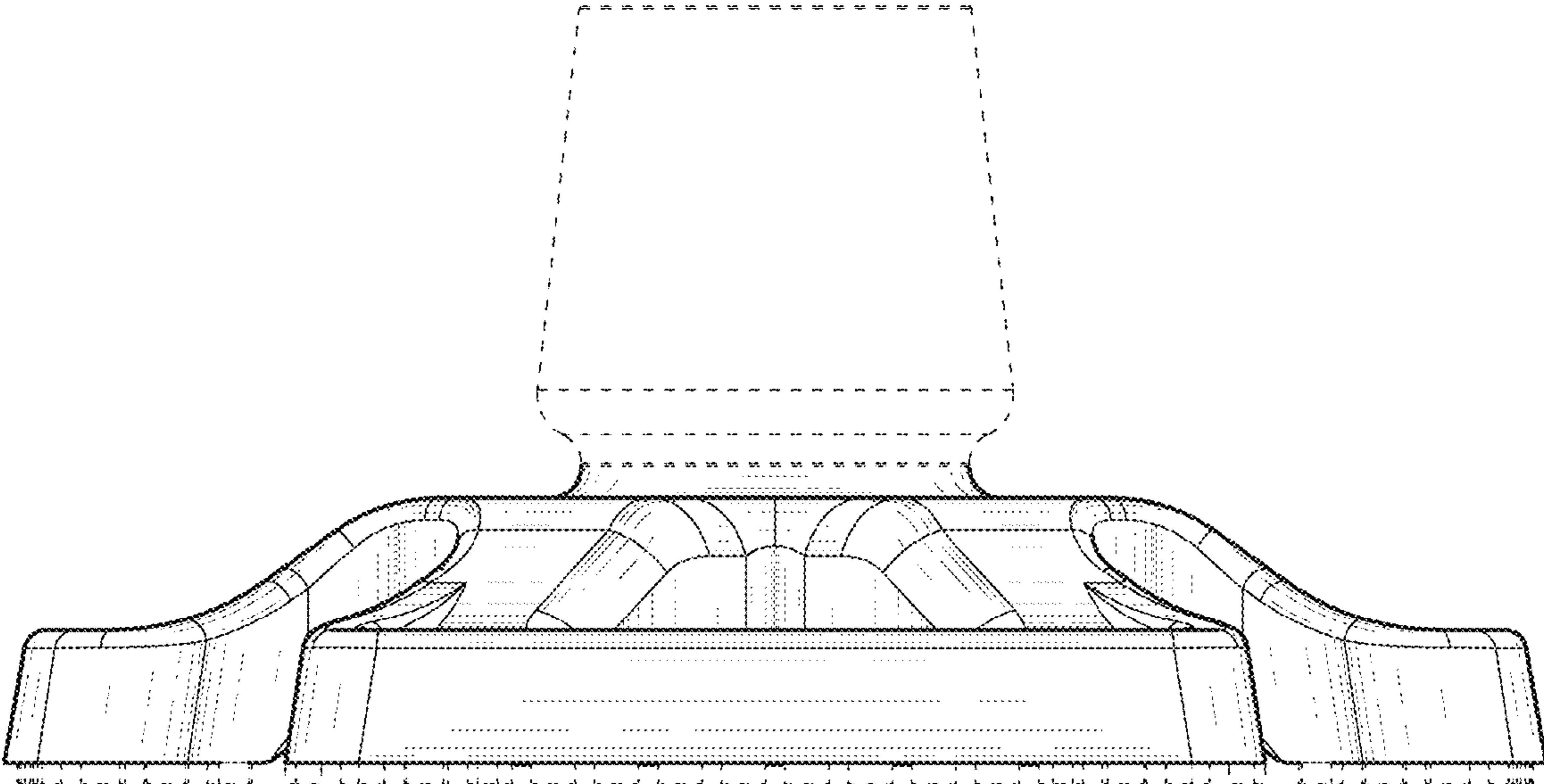


FIG. 3

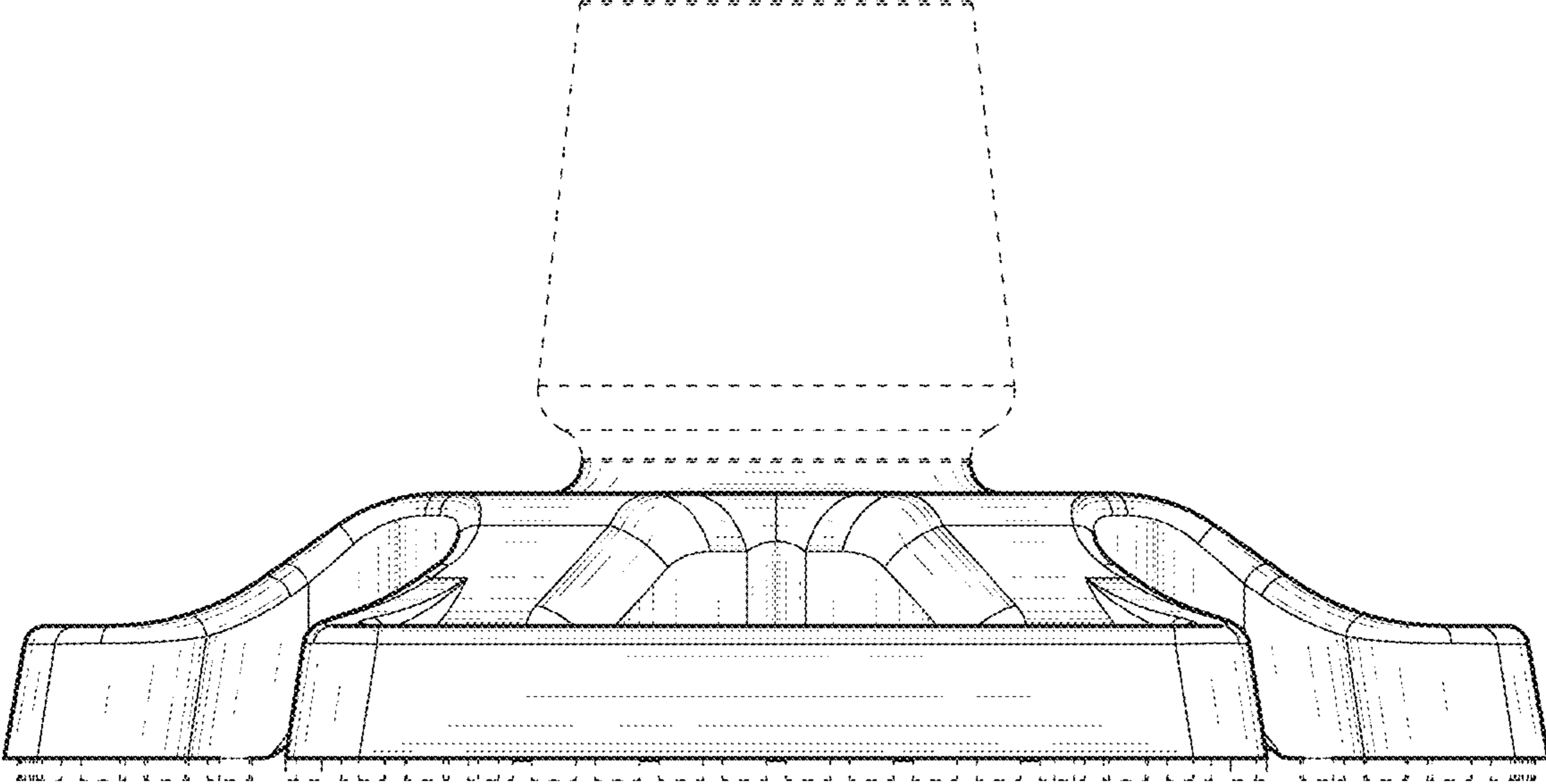


FIG. 4

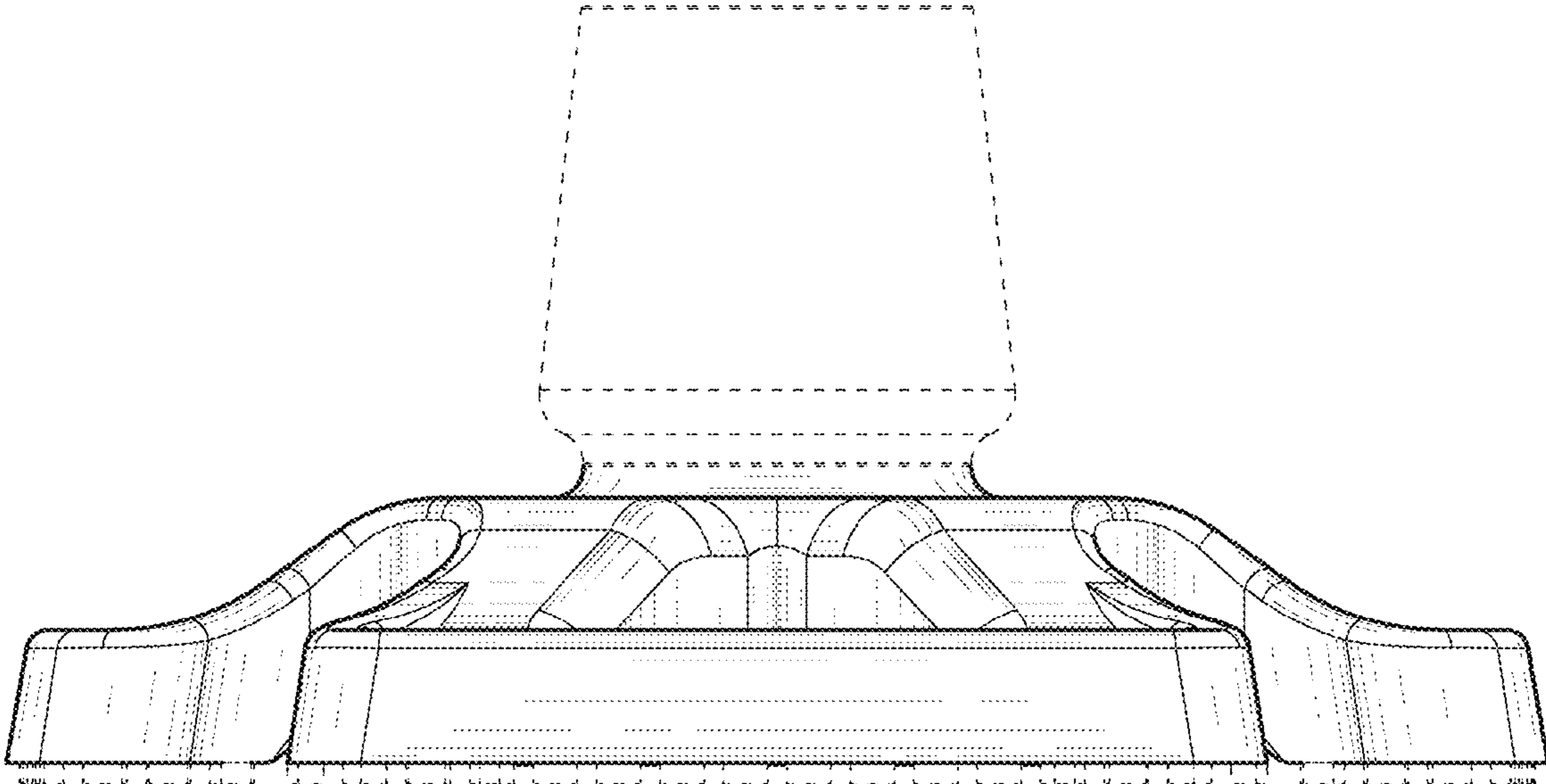


FIG. 5

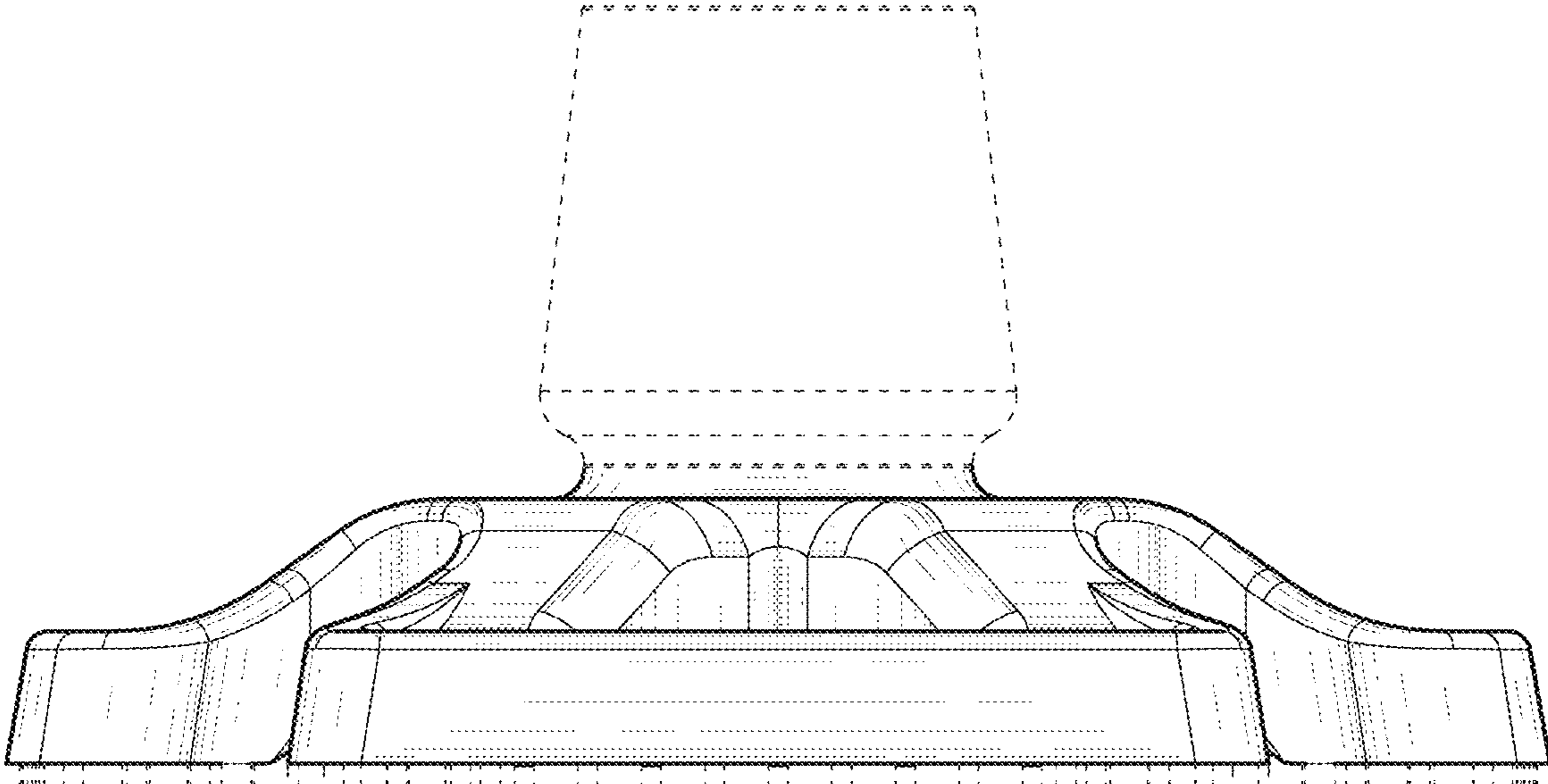


FIG. 6

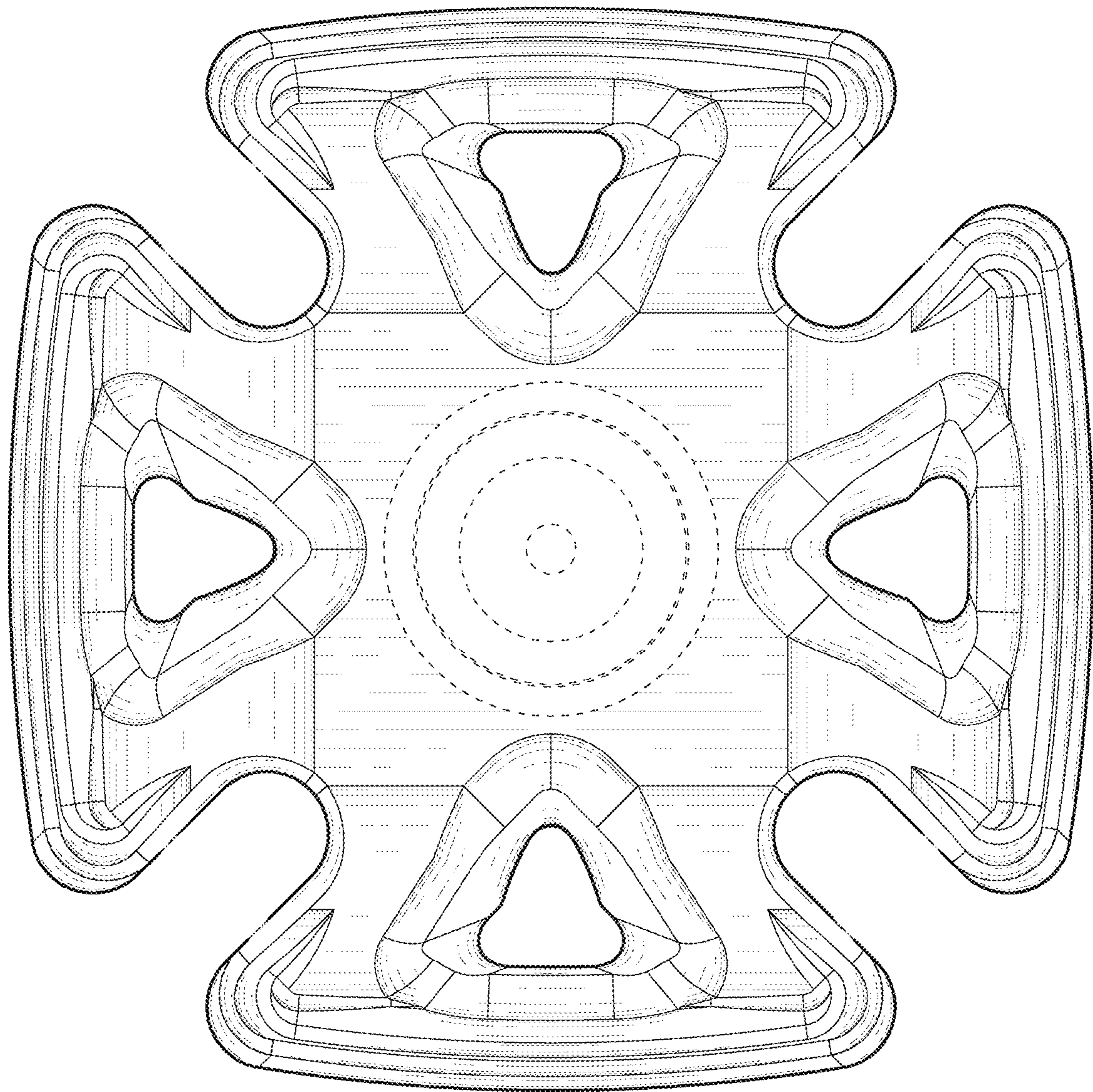


FIG. 7

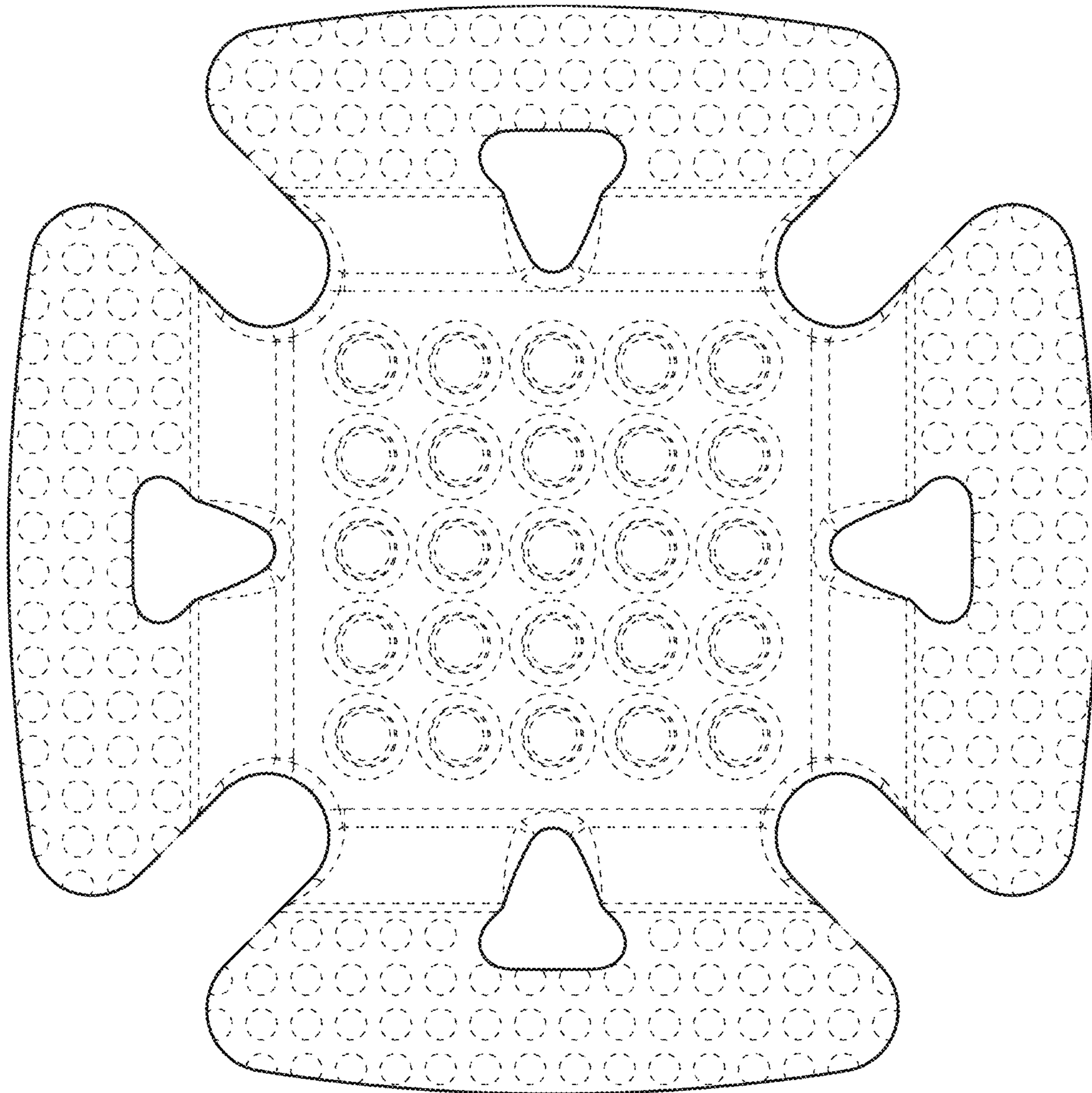


FIG. 8