

US00D966690S

(12) **United States Design Patent** (10) **Patent No.:** **US D966,690 S**  
**Ye** (45) **Date of Patent:** **\*\* Oct. 18, 2022**

(54) **HIKING STICK**

(71) Applicant: **ZHEJIANG PANAN MINGTE  
INDUSTRY & TRADE CO., LTD,**  
Zhejiang Province (CN)

(72) Inventor: **Baolin Ye, Jinhua (CN)**

(\*\*) Term: **15 Years**

(21) Appl. No.: **29/799,705**

(22) Filed: **Jul. 15, 2021**

(51) **LOC (13) Cl.** ..... **03-03**

(52) **U.S. Cl.**  
USPC ..... **D3/7**

(58) **Field of Classification Search**  
USPC ..... D3/5, 6, 7, 8, 9, 10  
CPC .... A45B 1/00; A45B 3/00; A45B 3/08; A45B  
7/00; A45B 9/00; A45B 2009/005; A45B  
2009/007; A45B 9/02; A45B 2009/025;  
A45B 2200/05; A45B 2200/055  
See application file for complete search history.

(56) **References Cited**

**U.S. PATENT DOCUMENTS**

D297,887	S	*	10/1988	Hattersley	.....	D3/7
D342,828	S	*	1/1994	Steinbach	.....	D3/7
5,653,468	A	*	8/1997	Ostapyk	.....	A45B 1/02 280/809
D427,763	S	*	7/2000	Kikuchi	.....	D3/7
D441,950	S	*	5/2001	Suen	.....	D3/7
D450,440	S	*	11/2001	Clarke	.....	D3/6
D539,523	S	*	4/2007	Wu	.....	D3/7
D540,534	S	*	4/2007	Chan	.....	D3/7
D552,340	S	*	10/2007	Graves	.....	D3/7
D555,350	S	*	11/2007	Graves	.....	D3/7
D620,696	S	*	8/2010	Alacar, Jr.	.....	D3/7
D632,069	S	*	2/2011	Thiessens	.....	D3/7
D693,565	S	*	11/2013	Chan	.....	D3/7
D697,300	S	*	1/2014	Alsaffar	.....	D3/7
D698,140	S	*	1/2014	Parker	.....	D3/7

D730,039	S	*	5/2015	Kizaki	.....	D3/7
D740,015	S	*	10/2015	Berberian	.....	D3/7
D747,867	S	*	1/2016	Woodall	.....	D3/7
D754,962	S	*	5/2016	Pennington	.....	D3/7
D831,950	S	*	10/2018	Minster	.....	D3/7
10,264,860	B1	*	4/2019	Rau	.....	F16M 11/06
D860,627	S	*	9/2019	Ritter	.....	D3/7
D861,320	S	*	10/2019	Ritter	.....	D3/7
D873,553	S	*	1/2020	Holiday	.....	D3/7
D876,807	S	*	3/2020	Shintani	.....	D3/7

(Continued)

*Primary Examiner* — Steven J Czyz

(57) **CLAIM**

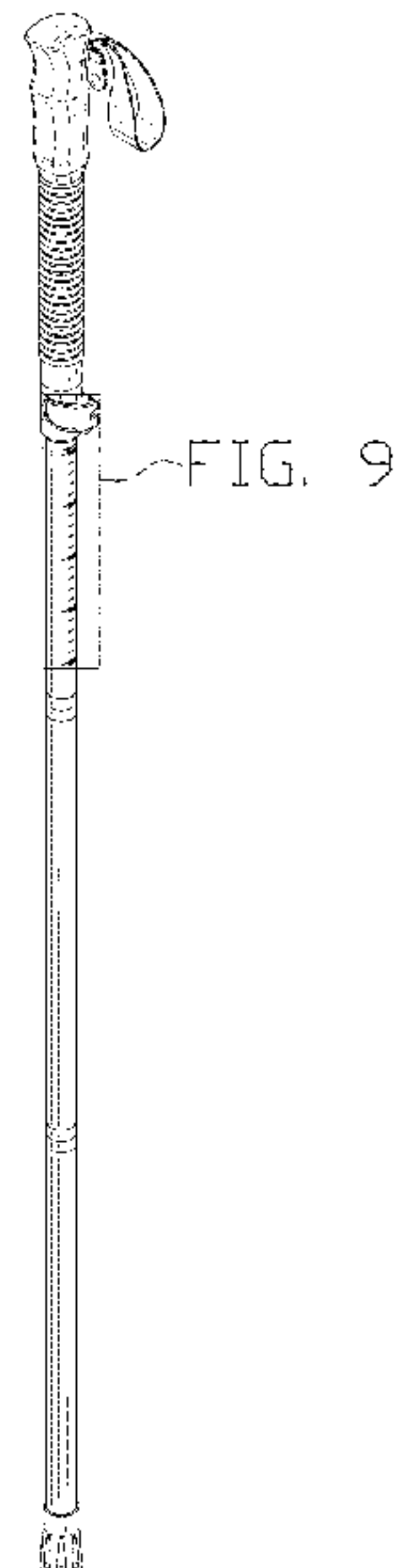
The ornamental design for a hiking stick, as shown and described.

**DESCRIPTION**

FIG. 1 is a front and top perspective view of a hiking stick, showing my new design;  
 FIG. 2 is a rear and bottom perspective view thereof;  
 FIG. 3 is a front elevation view thereof;  
 FIG. 4 is a rear elevation view thereof;  
 FIG. 5 is a left side elevation view thereof;  
 FIG. 6 is a right side elevation view thereof;  
 FIG. 7 is a top plan view thereof;  
 FIG. 8 is a bottom plan view thereof;  
 FIG. 9 is an enlarged view of a portion labeled, 'FIG. 9' in FIG. 1;  
 FIG. 10 is an enlarged view of a portion labeled, 'FIG. 10' in FIG. 2;  
 FIG. 11 is an enlarged view of FIG. 7;  
 FIG. 12 is an enlarged view of FIG. 8; and,  
 FIG. 13 is an exploded view thereof.

The broken lines in the figures illustrate portions of the hiking stick that form no part of the claimed design. The dash dot dash lines in FIGS. 1, 2, 9 and 10 are for the purpose of depicting the cut line of the enlarged view and form no part of the claimed design.

**1 Claim, 13 Drawing Sheets**



(56)

References Cited

U.S. PATENT DOCUMENTS

D876,810 S \* 3/2020 AlGhazi ..... D3/7  
 D881,550 S \* 4/2020 Skuse ..... D3/7  
 D882,241 S \* 4/2020 Smith Swerdlow ..... A61H 3/00  
 D3/7  
 D894,585 S \* 9/2020 Ye ..... D3/7  
 D894,586 S 9/2020 Ballentine  
 D898,340 S \* 10/2020 Cindrich ..... D3/7  
 10,856,630 B1 \* 12/2020 Hu ..... A45B 9/00  
 10,881,173 B1 \* 1/2021 Stringham ..... A45B 9/02  
 D909,742 S \* 2/2021 Doherty ..... D3/7  
 11,019,893 B1 \* 6/2021 Salazar ..... B26B 1/08  
 D930,969 S \* 9/2021 FitzPatrick ..... D3/7  
 D935,761 S \* 11/2021 Skuse ..... D3/7  
 D940,449 S \* 1/2022 Monk ..... D3/7  
 D951,623 S \* 5/2022 Savioli ..... D3/7  
 11,382,394 B1 \* 7/2022 Stringham ..... A45B 3/00  
 11,408,459 B2 \* 8/2022 Skuse ..... F16B 21/12  
 2002/0104560 A1 \* 8/2002 Kelley ..... A01K 97/08  
 135/18  
 2005/0150532 A1 \* 7/2005 Lin ..... A63C 11/221  
 135/75  
 2008/0053501 A1 \* 3/2008 Wilson ..... A45B 1/00  
 135/65  
 2010/0175728 A1 \* 7/2010 Warren ..... A45B 9/00  
 135/65  
 2010/0319740 A1 \* 12/2010 Willey ..... A45B 1/04  
 135/66  
 2011/0209733 A1 \* 9/2011 Basham ..... A61H 3/0277  
 267/140.13

2011/0239376 A1 \* 10/2011 Schmidt ..... B25F 1/02  
 126/152 B  
 2013/0327367 A1 \* 12/2013 Lindsay, Jr. .... A45B 3/00  
 135/65  
 2014/0216510 A1 \* 8/2014 Pronzati ..... A63C 11/221  
 135/74  
 2015/0059816 A1 \* 3/2015 Kim ..... A45B 9/00  
 135/75  
 2015/0342312 A1 \* 12/2015 Khoshnood ..... A45B 3/00  
 30/353  
 2016/0161612 A1 \* 6/2016 Krauss ..... A45B 3/00  
 342/357.57  
 2017/0027290 A1 \* 2/2017 Heim ..... A63C 11/22  
 2018/0036624 A1 \* 2/2018 Mu ..... A63B 69/18  
 2018/0177268 A1 \* 6/2018 D'Jay ..... A45B 9/02  
 2018/0263343 A1 \* 9/2018 Kier ..... A45B 9/00  
 2018/0334202 A1 \* 11/2018 Broussard ..... A45B 9/02  
 2019/0104814 A1 \* 4/2019 Bullard ..... A45B 9/04  
 2019/0134489 A1 \* 5/2019 Crowder ..... A63C 11/227  
 2019/0191833 A1 \* 6/2019 Stringham ..... A45B 3/00  
 2019/0307633 A1 \* 10/2019 Ceylan ..... A61H 3/061  
 2020/0109728 A1 \* 4/2020 Lai ..... A45B 9/00  
 2020/0297084 A1 \* 9/2020 Lai ..... A45B 9/00  
 2020/0323319 A1 \* 10/2020 Liu ..... F16B 7/105  
 2020/0390204 A1 \* 12/2020 Ballentine ..... F16M 13/04  
 2021/0106104 A1 \* 4/2021 Shute ..... A63C 11/222  
 2021/0301856 A1 \* 9/2021 Skuse ..... F16B 21/12  
 2021/0401131 A1 \* 12/2021 Cheng ..... A63C 11/227  
 2022/0039527 A1 \* 2/2022 Kaner ..... A47G 25/82  
 2022/0160086 A1 \* 5/2022 Chen ..... A45B 9/02

\* cited by examiner

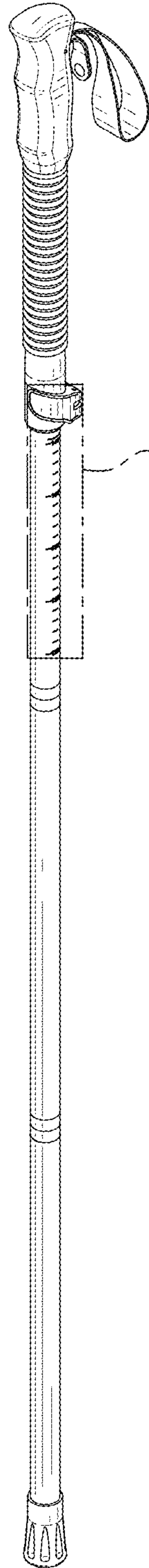


FIG. 9

FIG. 1

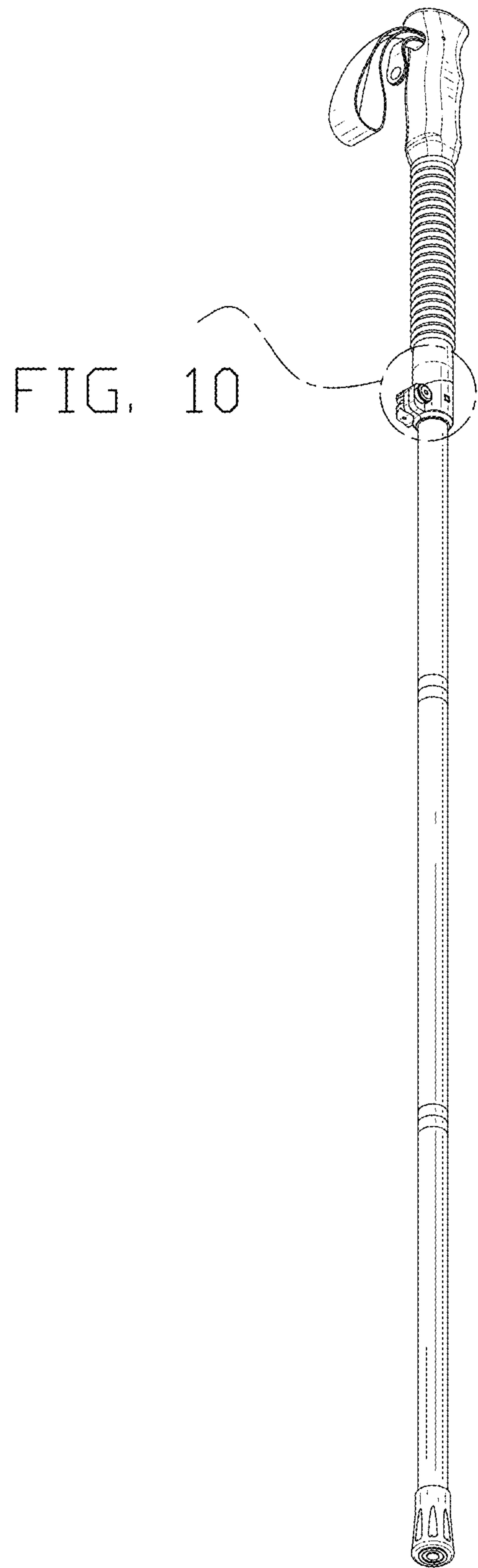


FIG. 2

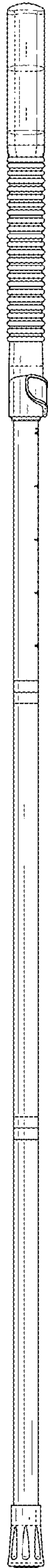


FIG. 3

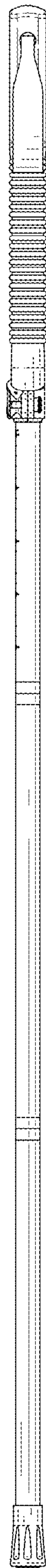


FIG. 4



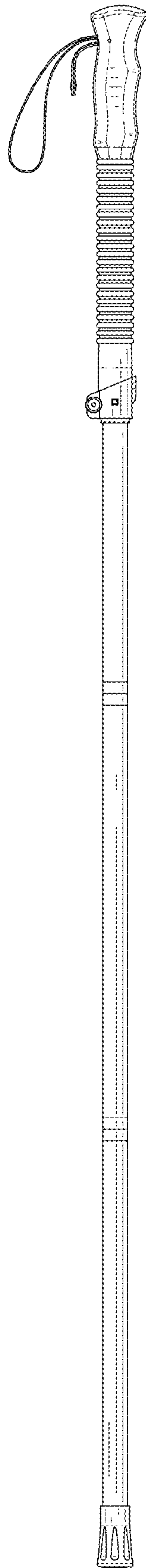


FIG. 5

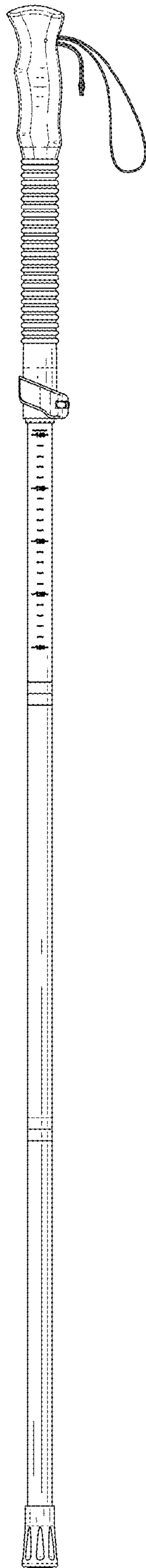


FIG. 6



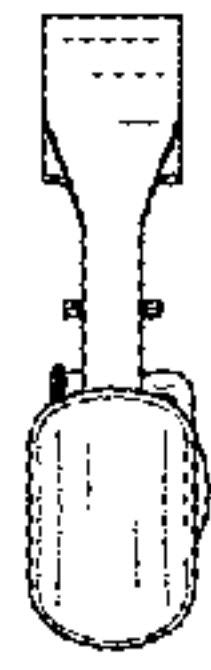


FIG. 7



FIG. 8

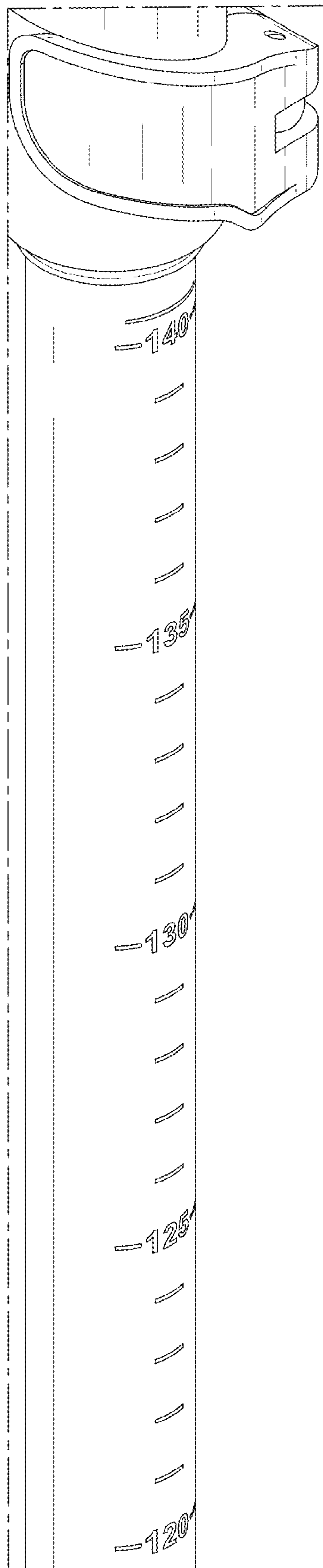


FIG. 9

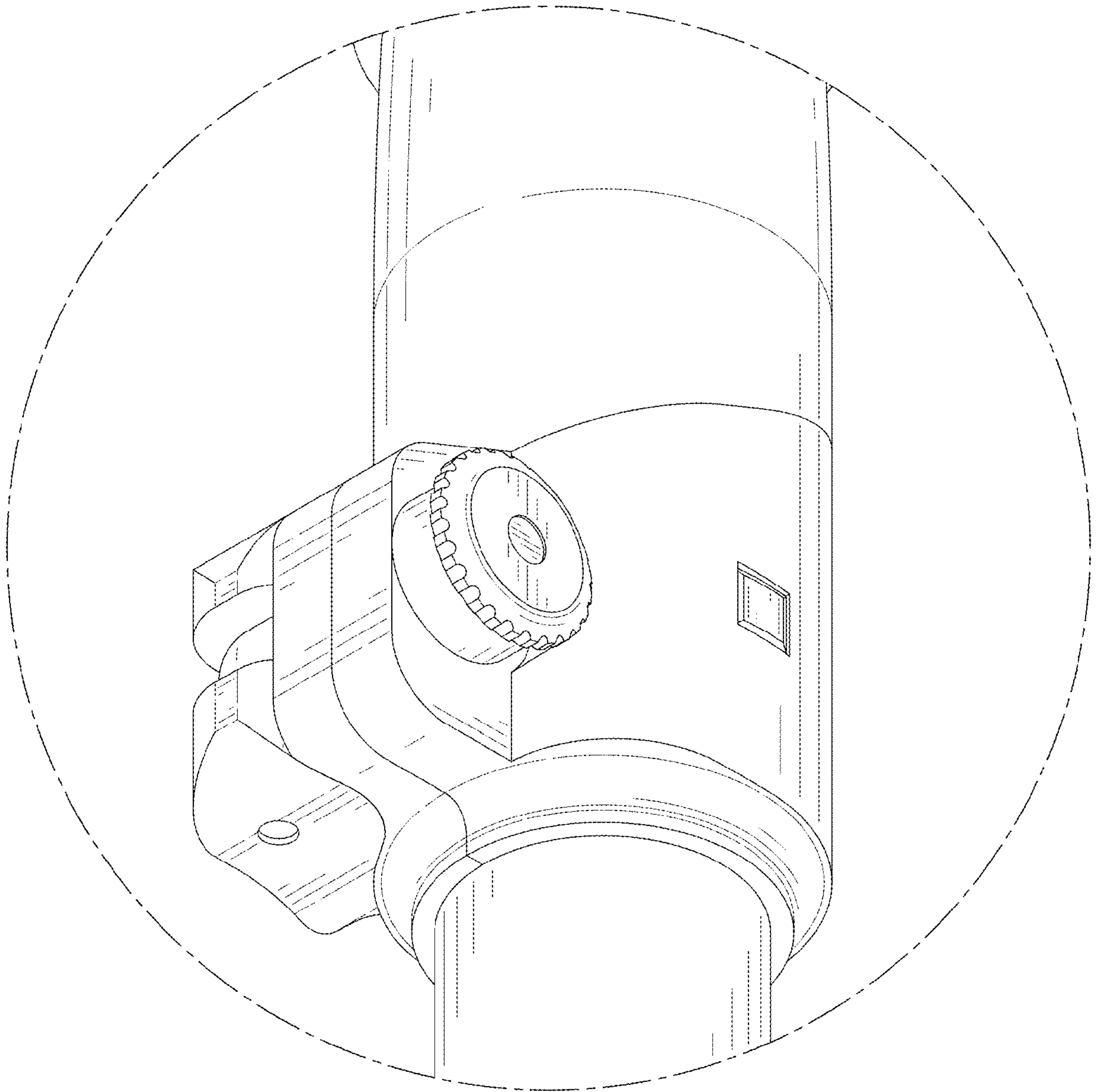


FIG. 10

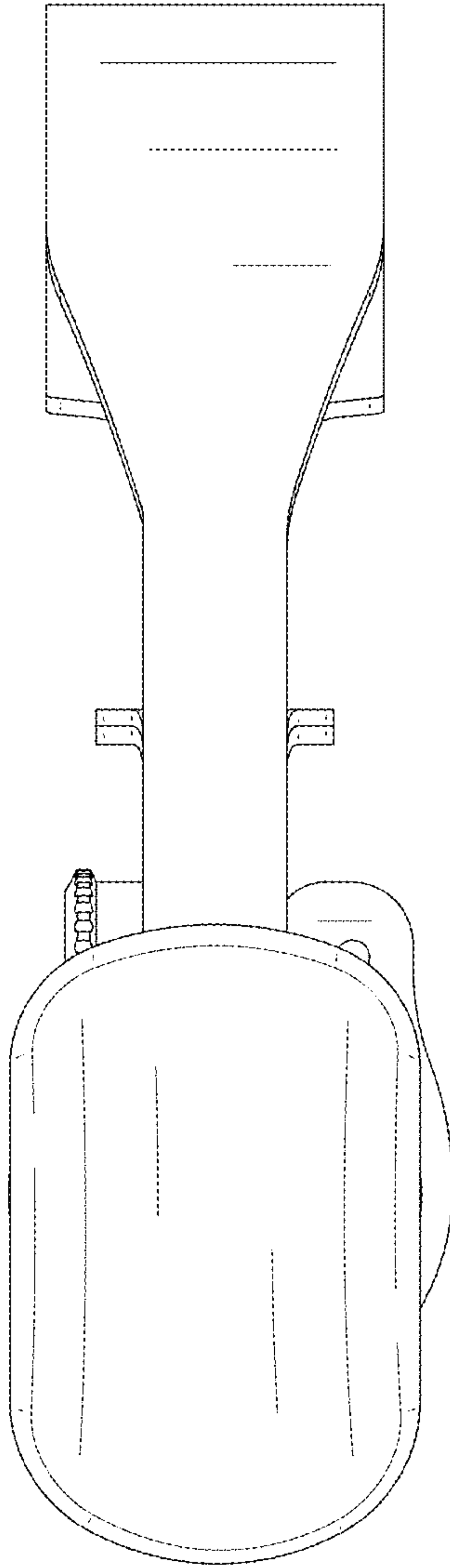


FIG. 11

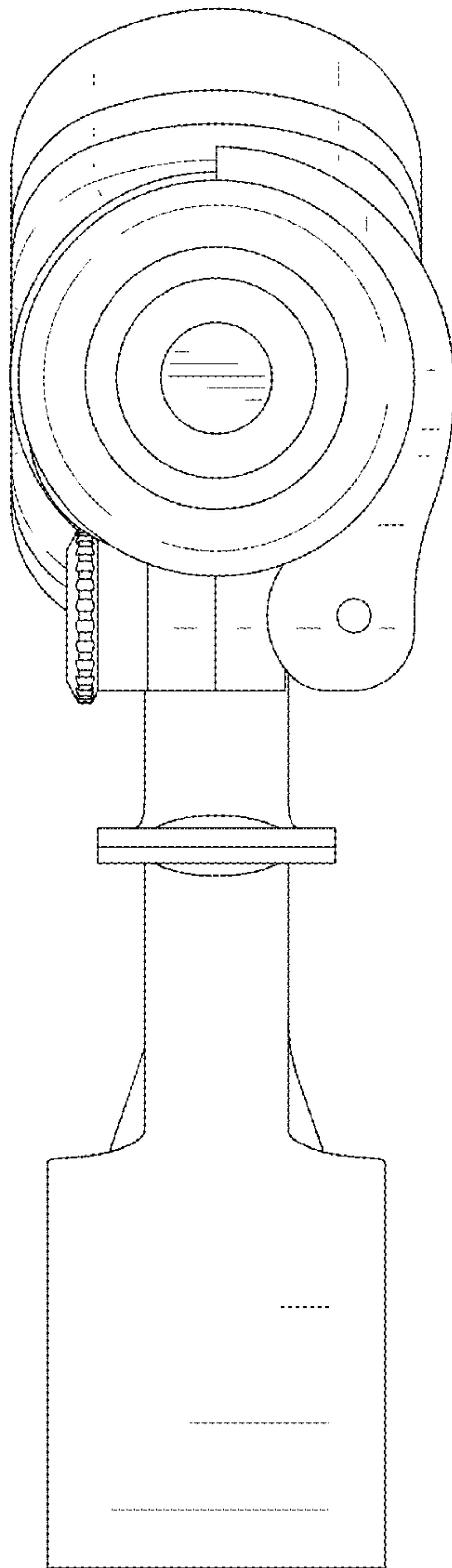


FIG. 12

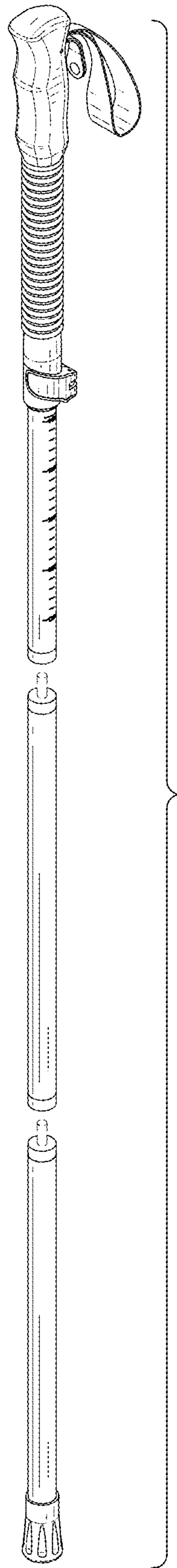


FIG. 13