

US00D96667S

(12) **United States Design Patent** (10) **Patent No.:** **US D966,667 S**  
**Dunham et al.** (45) **Date of Patent:** **\*\* Oct. 18, 2022**

(54) **FOOTWEAR**

(71) Applicant: **Target Brands, Inc.**, Minneapolis, MN (US)

(72) Inventors: **Austyn Dunham**, Minneapolis, MN (US); **Tyler Bishoff**, Eden Prairie, MN (US)

(73) Assignee: **Target Brands, Inc.**, Minneapolis, MN (US)

(\*\*) Term: **15 Years**

(21) Appl. No.: **29/709,135**

(22) Filed: **Oct. 11, 2019**

(51) **LOC (13) Cl.** ..... **02-04**

(52) **U.S. Cl.**  
USPC ..... **D2/947**; D2/951; D2/953; D2/954

(58) **Field of Classification Search**  
USPC ..... D2/908, 909-911, 947, 949, 951, 953, D2/954, 960, 962

CPC ..... A43B 13/00; A43B 13/02; A43B 13/04; A43B 13/12; A43B 13/122; A43B 13/125; A43B 13/127; A43B 13/14; A43B 13/16; A43B 13/22; A43B 13/26; A43B 13/36; A43B 23/00; A43B 23/02; A43B 23/021; A43B 23/0215; A43B 23/022; A43B 23/0245; A43B 23/025; A43B 23/0255; A43B 23/026; A43B 23/04; A43B 23/06; A43B 1/10; A43B 1/12; A43B 1/14

See application file for complete search history.

(56) **References Cited**

**U.S. PATENT DOCUMENTS**

D123,898 S \* 12/1940 Tousley ..... D2/953  
2,833,057 A \* 5/1958 Hack ..... A43B 13/223  
36/59 C

D243,566 S \* 3/1977 DE Massacre ..... D2/910  
5,775,005 A \* 7/1998 McClelland ..... A43B 1/0072  
36/134  
D398,144 S \* 9/1998 Egelja ..... D2/960  
D414,018 S \* 9/1999 Cook ..... D2/910  
6,138,057 A 10/2000 Stotsky  
6,184,259 B1 2/2001 Peretti et al.  
D442,356 S \* 5/2001 Aschenbrenner ..... D2/909  
D447,319 S \* 9/2001 Yang ..... D2/897  
6,439,876 B1 8/2002 Glaesener  
6,684,264 B1 1/2004 Choi  
D525,016 S 7/2006 Feller  
D533,985 S 12/2006 Belley et al.  
D539,023 S 3/2007 Belley et al.  
7,222,443 B2 5/2007 Mitchell  
D544,682 S 6/2007 Belley et al.  
7,232,538 B2 6/2007 Mai  
D550,443 S 9/2007 Belley et al.

(Continued)

*Primary Examiner* — Leanne Was-Englehart

*Assistant Examiner* — Yelizaveta Y Masalimova

(74) *Attorney, Agent, or Firm* — Merchant & Gould P.C.

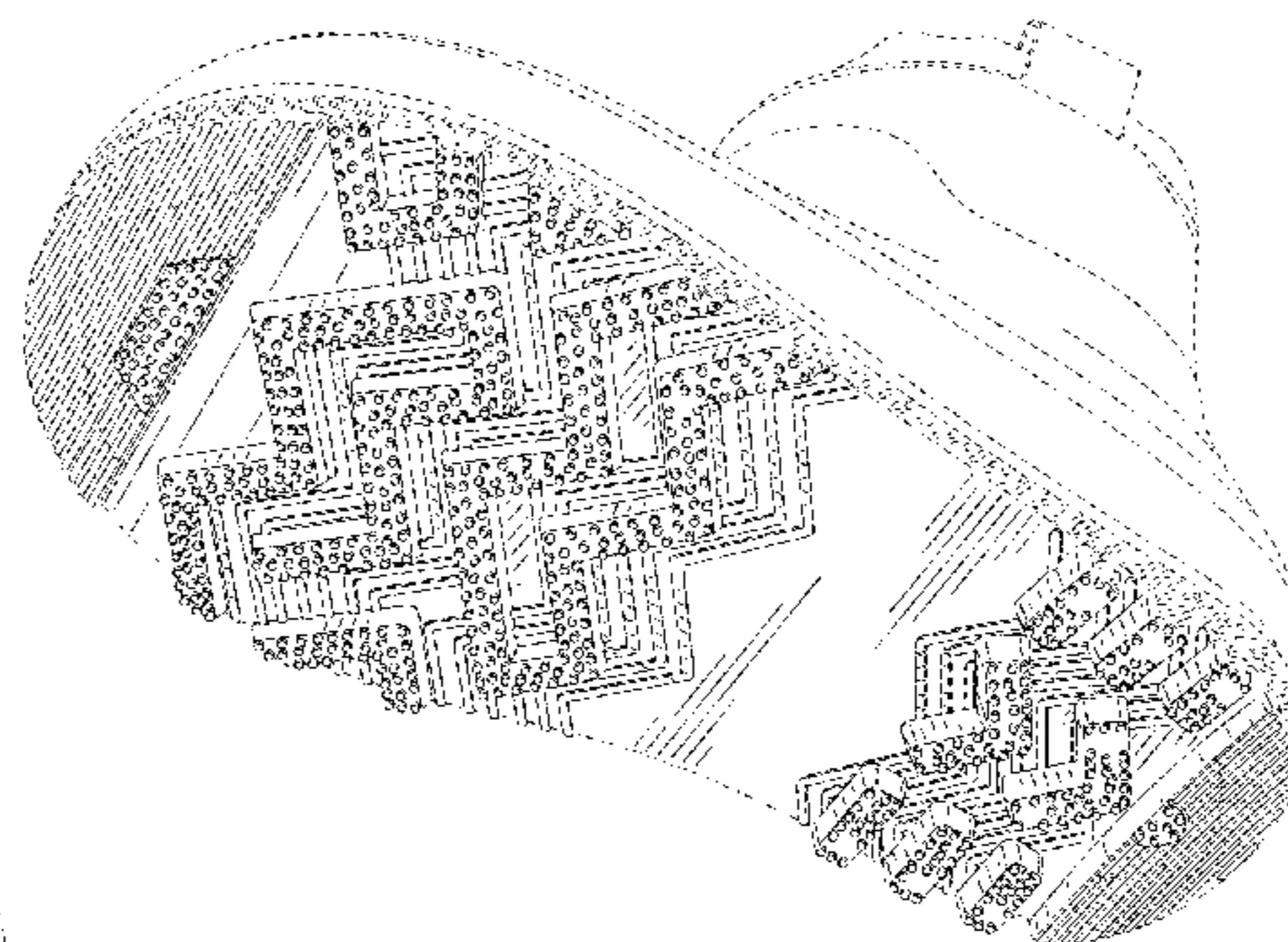
(57) **CLAIM**

The ornamental design for a footwear, as shown and described.

**DESCRIPTION**

FIG. 1 is front, top and left side perspective view of a footwear showing our new design;  
FIG. 2 is a left side elevation view thereof;  
FIG. 3 is a right side elevation view thereof;  
FIG. 4 is a front elevation view thereof;  
FIG. 5 is a back elevation view thereof;  
FIG. 6 is a top plan view thereof;  
FIG. 7 is a bottom plan view thereof; and,  
FIG. 8 is a bottom and left side perspective view thereof.  
The dot-dashed broken lines in FIGS. 1-5, 7 and 8 represent the boundaries of the claim and form no part of the claimed design. The broken lines in FIGS. 1-8 represent portions of the footwear that form no part of the claimed design.

**1 Claim, 8 Drawing Sheets**



(56)

References Cited

U.S. PATENT DOCUMENTS

D554,341 S 11/2007 Belley et al.  
 D556,998 S 12/2007 Belley et al.  
 D569,595 S \* 5/2008 Le ..... D2/957  
 D576,783 S 9/2008 Earle  
 D579,646 S 11/2008 Andersen et al.  
 D584,039 S 1/2009 Horne et al.  
 D584,499 S \* 1/2009 Ringholz ..... D2/970  
 D587,885 S 3/2009 Campbell  
 D588,345 S 3/2009 Campbell  
 7,559,756 B2 7/2009 Sicilia  
 D627,543 S 11/2010 Wolff  
 D635,346 S 4/2011 Lonigan  
 D637,385 S 5/2011 Spring  
 D638,213 S 5/2011 Funck  
 D638,214 S 5/2011 Blakeslee  
 D639,043 S 6/2011 Castellon  
 8,151,484 B2 4/2012 Hubner  
 D660,572 S 5/2012 Mentha  
 8,303,885 B2 11/2012 Hatfield et al.  
 D672,944 S \* 12/2012 Gavitt ..... D2/910  
 D677,458 S \* 3/2013 Denniston ..... D2/970  
 D685,171 S 7/2013 Marshall  
 D685,172 S 7/2013 Warner  
 D691,352 S 10/2013 Scherf  
 D694,994 S 12/2013 Santos  
 D699,022 S 2/2014 Sassi  
 D701,681 S 4/2014 Spring  
 D701,682 S 4/2014 Spring  
 8,789,295 B2 7/2014 Burch et al.  
 8,828,300 B2 9/2014 Kurimoto et al.  
 8,834,149 B2 9/2014 Looije  
 D717,027 S 11/2014 Casadei  
 D718,023 S 11/2014 Spring  
 D719,320 S 12/2014 Bisson  
 D721,472 S 1/2015 Solsona et al.  
 D722,422 S 2/2015 Solsona et al.  
 D723,259 S \* 3/2015 Norwood ..... D2/970  
 8,984,776 B2 3/2015 Ludemann et al.  
 D725,880 S \* 4/2015 Bramani ..... D2/957  
 D728,911 S 5/2015 Spring  
 D731,763 S 6/2015 Solstad  
 D732,805 S 6/2015 Bruder  
 9,102,089 B2 8/2015 Halter  
 D740,540 S 10/2015 Young  
 9,204,685 B2 12/2015 Ludemann et al.  
 9,237,777 B2 1/2016 Perotto  
 D754,424 S \* 4/2016 Spring ..... D2/960

D763,561 S 8/2016 Norwood  
 D763,563 S 8/2016 Monroy  
 D766,562 S \* 9/2016 Nakano ..... D2/970  
 D766,563 S 9/2016 Radabaugh  
 D766,564 S 9/2016 Radabaugh  
 D772,548 S 11/2016 Radabaugh  
 D785,914 S 5/2017 Denniston et al.  
 9,642,416 B2 5/2017 Ludemann et al.  
 9,764,521 B2 9/2017 Hansen  
 9,956,732 B2 1/2018 Bier et al.  
 D819,305 S 6/2018 Lee  
 D821,725 S 7/2018 Fadden  
 D830,677 S 10/2018 Burnett et al.  
 D831,939 S \* 10/2018 Goldberg ..... D2/953  
 D838,946 S 1/2019 Barker et al.  
 D839,580 S \* 2/2019 Dowd ..... D2/970  
 D852,485 S \* 7/2019 Gress ..... D2/960  
 D862,848 S \* 10/2019 Barker ..... D2/910  
 D868,435 S \* 12/2019 Wu ..... D2/910  
 D899,739 S \* 10/2020 Goldberg ..... D2/953  
 D901,155 S \* 11/2020 Comeaux ..... D2/957  
 D903,987 S \* 12/2020 Shahid ..... D2/910  
 D950,905 S \* 5/2022 Dunham ..... D2/947  
 D950,925 S \* 5/2022 Dunham ..... D2/896  
 D957,107 S \* 7/2022 Dunham ..... D2/951  
 2003/0190963 A1 10/2003 Imazu et al.  
 2004/0163281 A1 8/2004 Danezin et al.  
 2005/0060910 A1 3/2005 Kaneda et al.  
 2006/0038320 A1 2/2006 Straub et al.  
 2007/0145645 A1 6/2007 Song  
 2007/0205535 A1 9/2007 Vitulli  
 2010/0050470 A1 3/2010 Hubner  
 2010/0180474 A1 \* 7/2010 Clark ..... A43B 13/223  
 36/3 B  
 2011/0083286 A1 4/2011 Yang  
 2011/0126423 A1 6/2011 Yang  
 2011/0252670 A1 10/2011 Smith  
 2011/0277351 A1 11/2011 Scoledes  
 2013/0025160 A1 1/2013 Trinkaus  
 2013/0042501 A1 2/2013 Valazquez et al.  
 2013/0055591 A1 3/2013 Haimerl  
 2013/0074373 A1 3/2013 Venturato  
 2015/0360405 A1 12/2015 Ueno et al.  
 2017/0057189 A1 3/2017 Chambers  
 2017/0267846 A1 9/2017 Baghdadi  
 2018/0178472 A1 6/2018 Rawls-Meehan et al.  
 2018/0206597 A1 7/2018 Towey et al.  
 2019/0365028 A1 \* 12/2019 Fakhouri ..... C08G 18/343

\* cited by examiner



FIG. 1



FIG. 2



FIG. 3

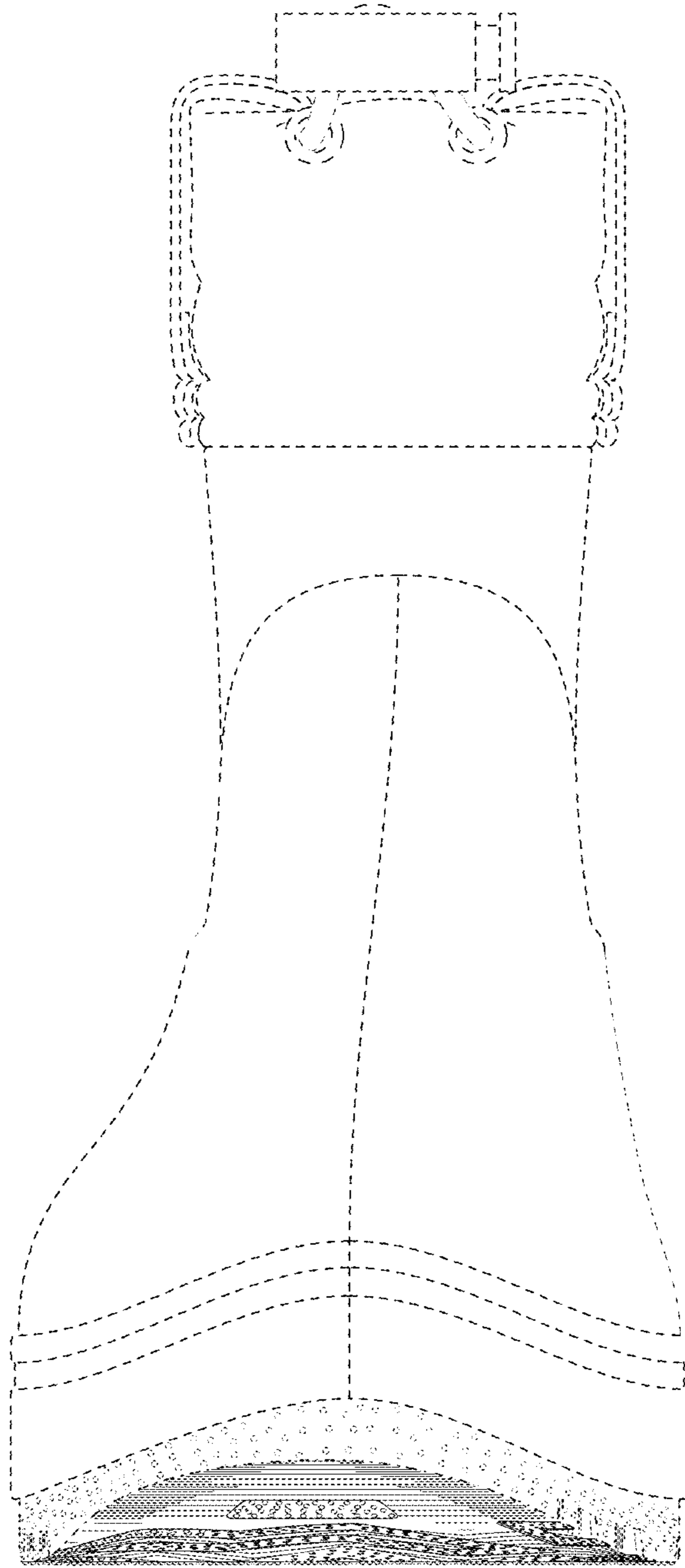


FIG. 4

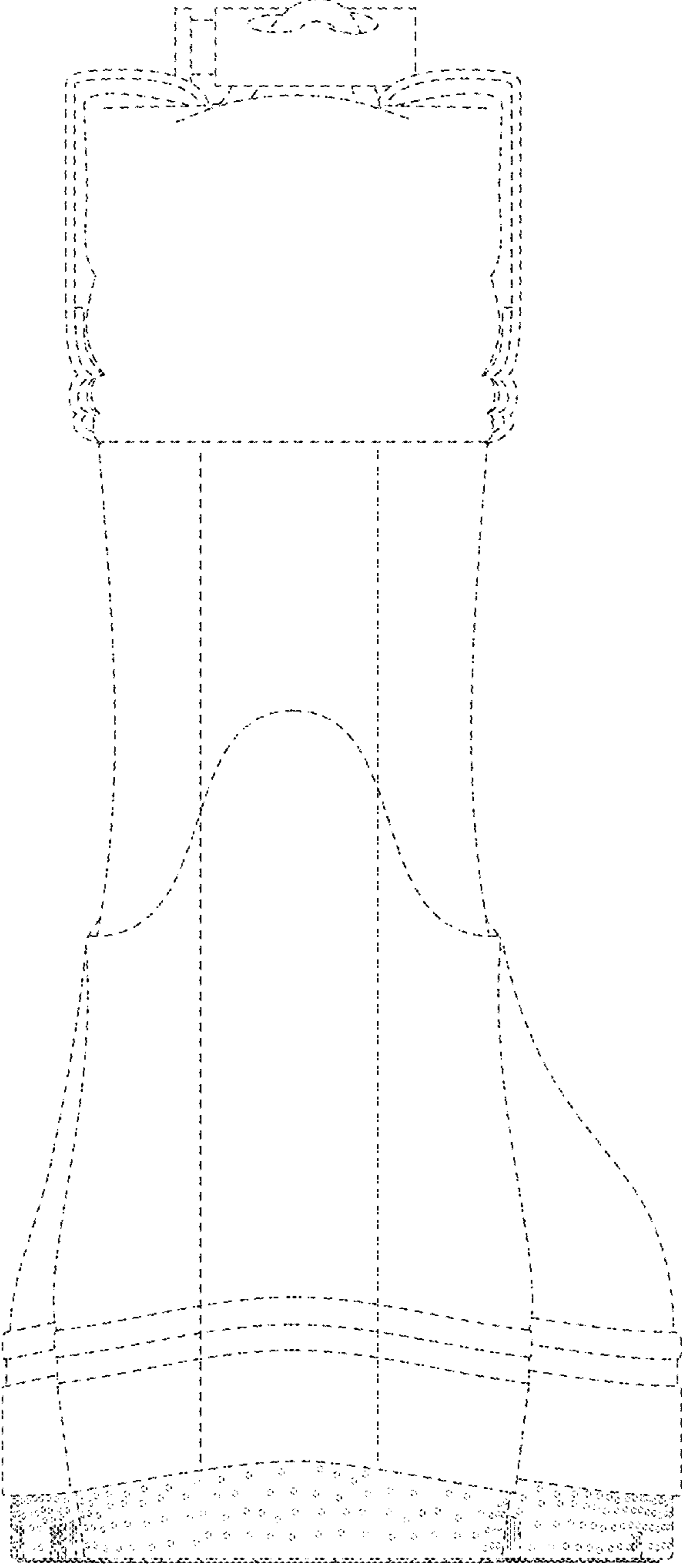


FIG. 5

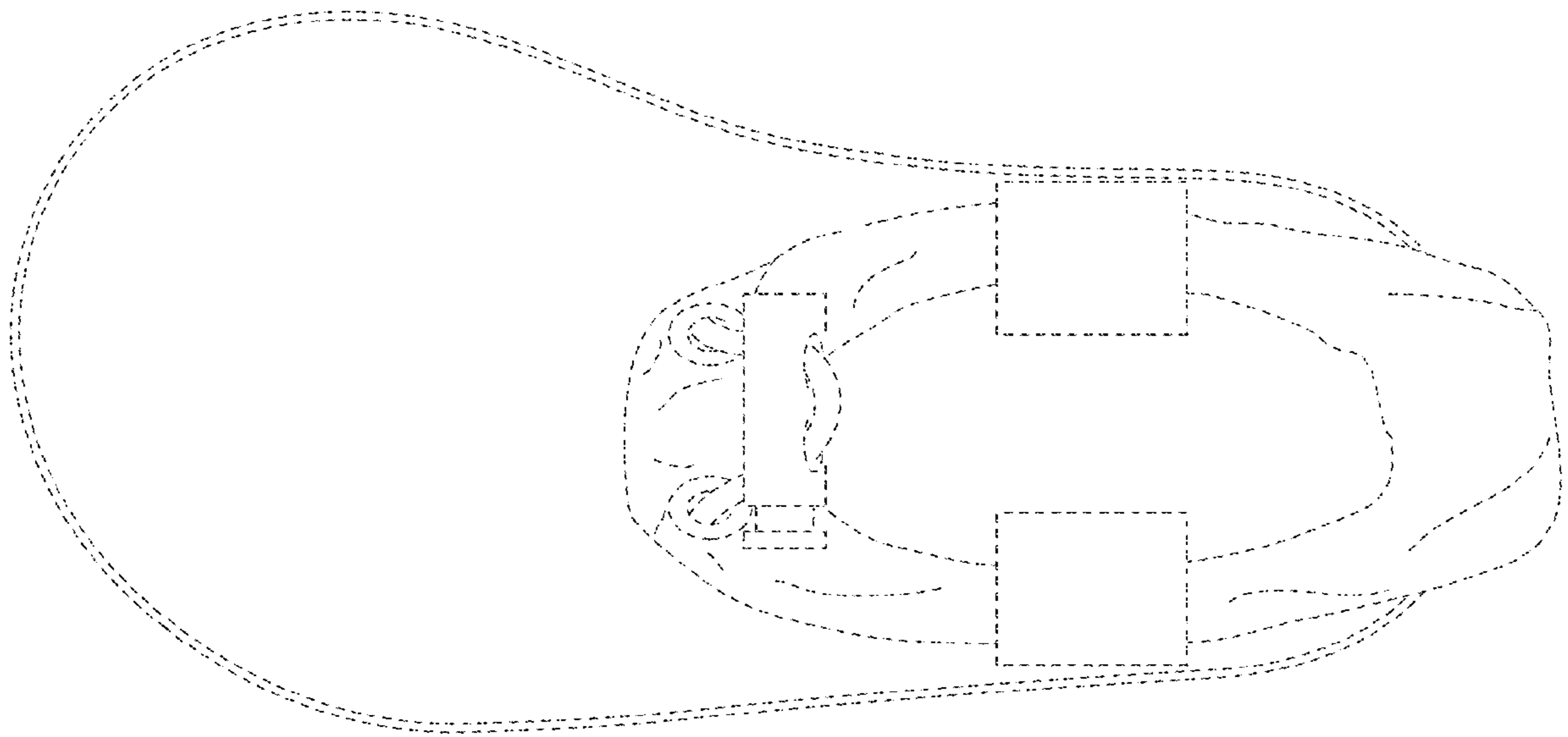


FIG. 6



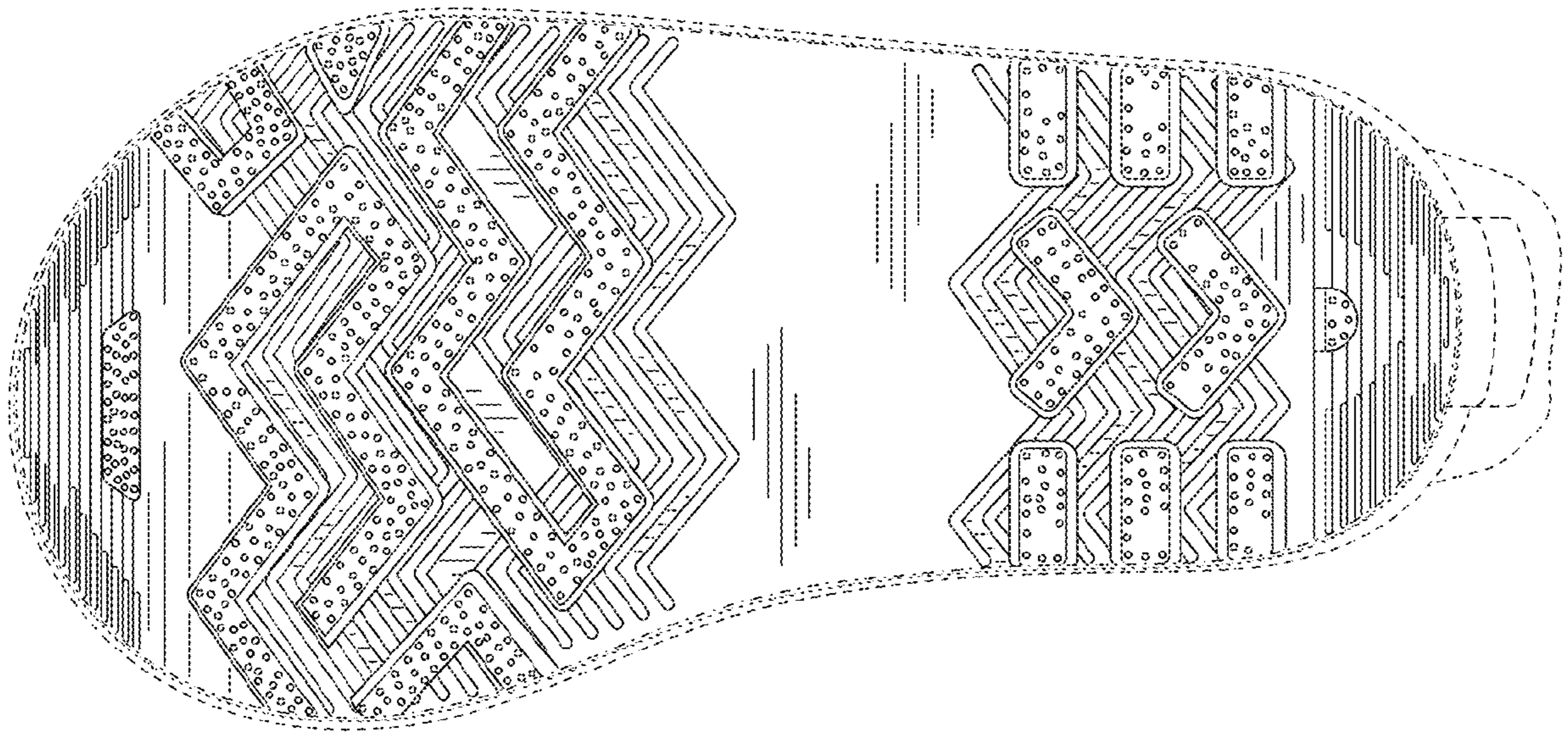


FIG. 7

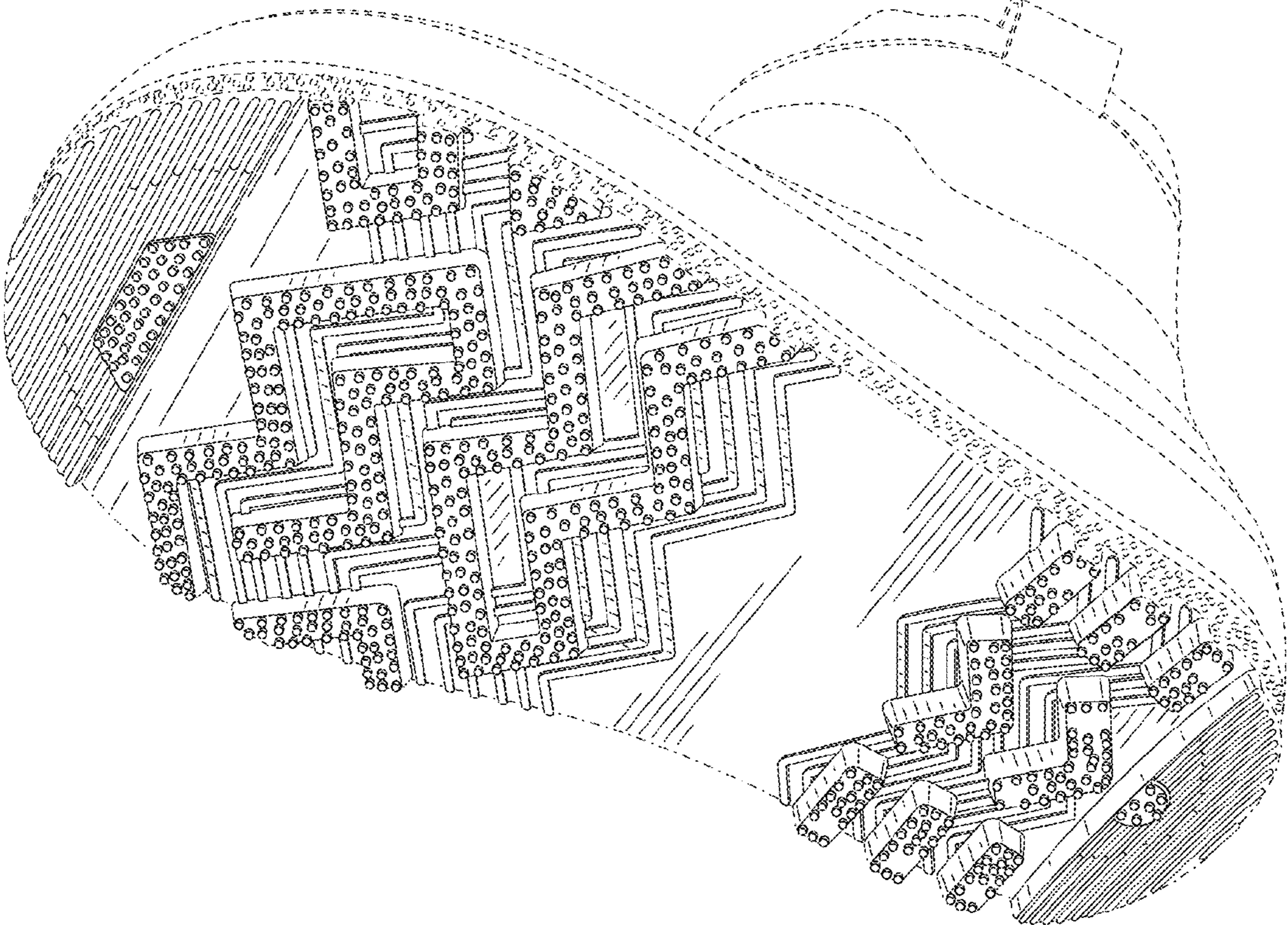


FIG. 8