



US00D96661S

(12) **United States Design Patent**
Young-Walker

(10) **Patent No.:** **US D966,661 S**

(45) **Date of Patent:** **** Oct. 18, 2022**

(54) **LENGTH EXTENDING GARMENT FOR CLOTHING**

(71) Applicant: **Georgia Young-Walker**, Sunrise, FL (US)

(72) Inventor: **Georgia Young-Walker**, Sunrise, FL (US)

(**) Term: **15 Years**

(21) Appl. No.: **29/745,880**

(22) Filed: **Aug. 10, 2020**

(51) **LOC (13) Cl.** **02-02**

(52) **U.S. Cl.**
USPC **D2/851**

(58) **Field of Classification Search**
USPC D2/851, 717, 852
CPC A41D 1/00; A41D 1/22
See application file for complete search history.

(56) **References Cited**

U.S. PATENT DOCUMENTS

- 1,673,123 A * 6/1928 Muench A41D 1/00
2/211
- 1,931,822 A * 10/1933 Hoffman A41C 1/00
450/95
- 2,253,339 A * 8/1941 Livermore A41B 9/10
2/211
- 2,277,492 A * 3/1942 Kamhi A41D 15/005
2/221
- 2,388,341 A * 11/1945 Rudolph A41D 1/14
2/211
- D161,652 S * 1/1951 Rosenberg D2/851
- 3,217,713 A * 11/1965 Kunel A41D 7/00
450/30
- D246,402 S * 11/1977 Morgan D2/852
- D247,072 S * 1/1978 Morgan D2/852
- D253,497 S * 11/1979 Brosk D2/852

- 4,377,007 A * 3/1983 Sudjian A41D 15/002
2/105
- 4,506,390 A * 3/1985 Stern A41D 1/21
2/221
- D279,136 S * 6/1985 Stern D2/851
(Continued)

FOREIGN PATENT DOCUMENTS

CN 206675017 * 11/2017

OTHER PUBLICATIONS

Basic Navy Flounce Slip Dress Extender by Kolouri, "26 half slips to keep your summer dresses from going see-thru" by Estelle Puleston. posted to thebreastlife.com. available date: May 14, 2019 [Site Visited Dec. 17, 2021] available: <<https://www.thebreastlife.com/blog/half-slips-summer-dresses/>> (Year: 2019).*

(Continued)

Primary Examiner — Kevin K Rudzinski
(74) *Attorney, Agent, or Firm* — Sanchelima & Associates, P.A.; Christian Sanchelima; Jesus Sanchelima

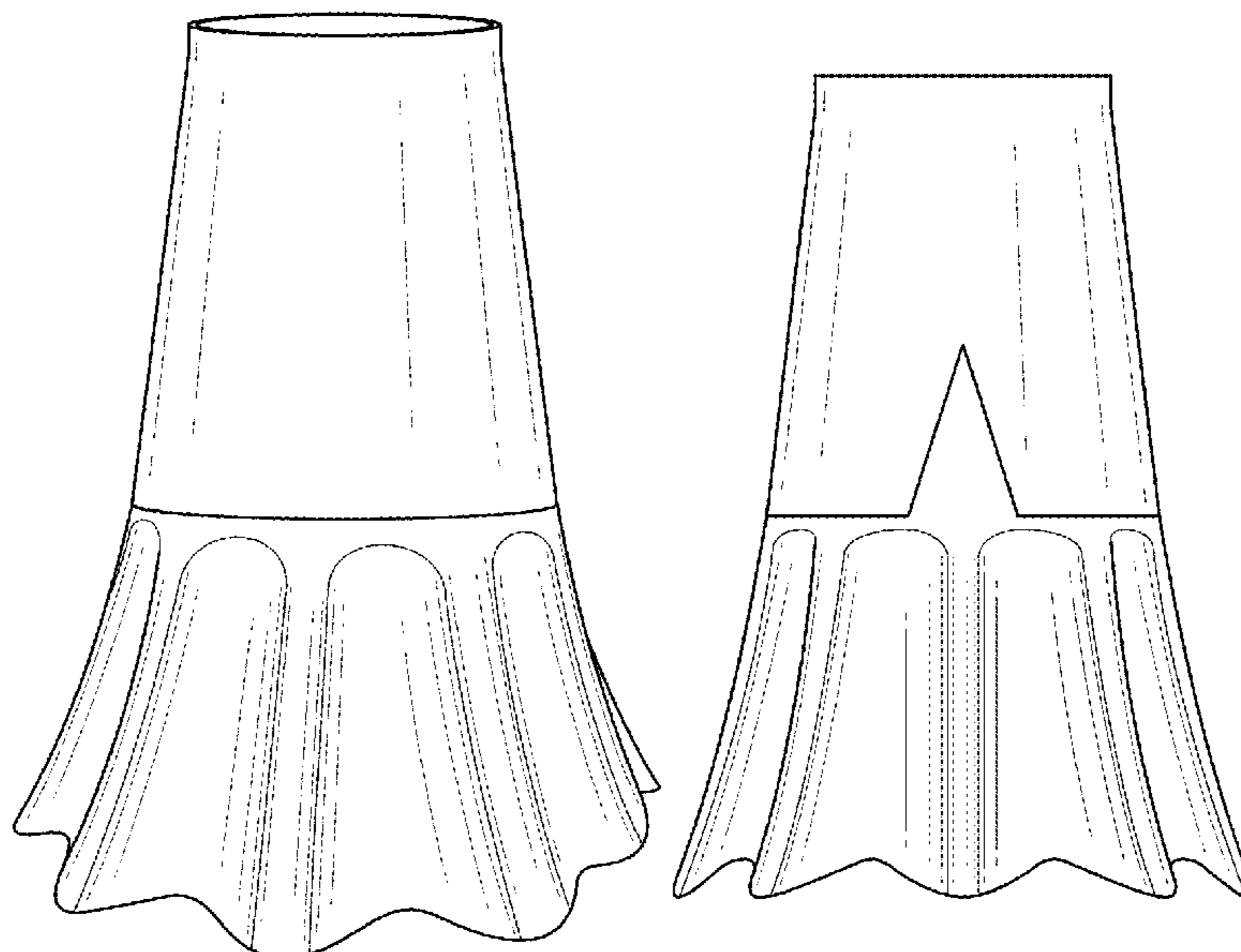
(57) **CLAIM**

The ornamental design for a length extending garment for clothing, as shown and described.

DESCRIPTION

FIG. 1 is an isometric view of a length extending garment for clothing showing my new design;
FIG. 2 is a front elevational view thereof;
FIG. 3 is a rear elevational view thereof;
FIG. 4 is a left side elevational view thereof;
FIG. 5 is a right elevational view thereof;
FIG. 6 is a top plan view thereof; and
FIG. 7 is a bottom plan view thereof; and,
FIG. 8 is a perspective view thereof, shown in a position of use with environment.
No claim is made to the dress shown in broken lines, it is shown for illustration purposes only.

1 Claim, 5 Drawing Sheets



(56)

References Cited

U.S. PATENT DOCUMENTS

D465,639 S * 11/2002 Gildea D2/851
 D606,285 S * 12/2009 Schindler D2/840
 D627,136 S * 11/2010 Johnson D2/722
 8,185,970 B2 * 5/2012 Summers A41C 1/006
 2/69
 D771,910 S * 11/2016 Herbert D2/851
 9,504,284 B2 * 11/2016 McKinlay A41D 15/002
 D802,888 S * 11/2017 Ardalan D2/851
 D899,030 S * 10/2020 Carter D2/851
 D927,137 S * 8/2021 Hyvonen D2/851
 2008/0244805 A1 * 10/2008 Griffin A41D 1/14
 2/74

OTHER PUBLICATIONS

Half Slip Skirt Extender 100% Cotton Vintage Underskirt by Beutelicate, posted to amazon.com. Available date: Dec. 19, 2017 [site visited Dec. 17, 2021] Available: <<https://www.amazon.com/>

Extender-Cotton-Vintage-Underskirt-Length/dp/B078HP2R9Q> (Year: 2017).*

The Slip Extender—A New Way To Create Style by Tasi Zuriack, posted to tgforum.com. Available date: Dec. 12, 2016 [site visited Dec. 17, 2021] Available: <<https://tgforum.com/the-slip-extender-a-new-way-to-create-style/>> (Year: 2016).*

Ruffle Tulle Skirt Extender Slips! posted doodlecraftblog.com. Available date: Mar. 2013 [site visited Dec. 17, 2021] Available: <<https://www.doodlecraftblog.com/2013/03/ruffle-tulle-skirt-extender-slips.html>> (Year: 2013).*

Women Lace Slip Dress A-Line Half Slip Extender by Jixianfeng, posted to amazon.com. Available date: Sep. 24, 2019 [site visited Dec. 17, 2021] Available: <<https://www.amazon.com/Women-Dress-Extenders-Extender-Length/dp/B07Y9PW7V5>> (Year: 2019).*

How to Make a Dress Longer Using the Existing Hem Allowance, posted to doinaalexei.com. Available date: Jun. 29, 2018 [site visited Dec. 17, 2021] Available: <<https://www.doinaalexei.com/beginnersewingtutorialblog/how-to-make-a-dress-longer-using-the-existing-hem-allowance-or-adding-fabric-extension>> (Year: 2018).*

* cited by examiner

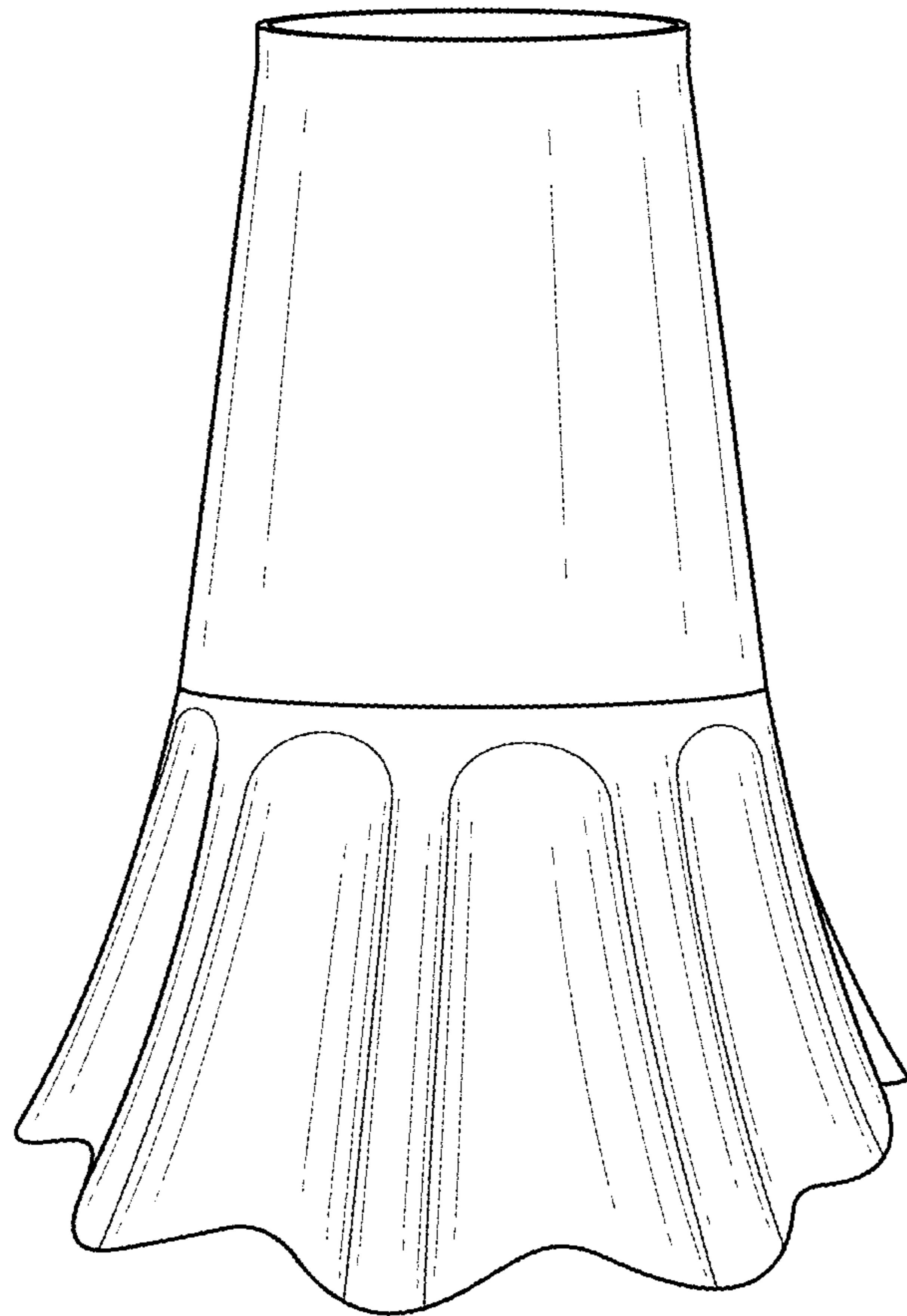


FIG. 1

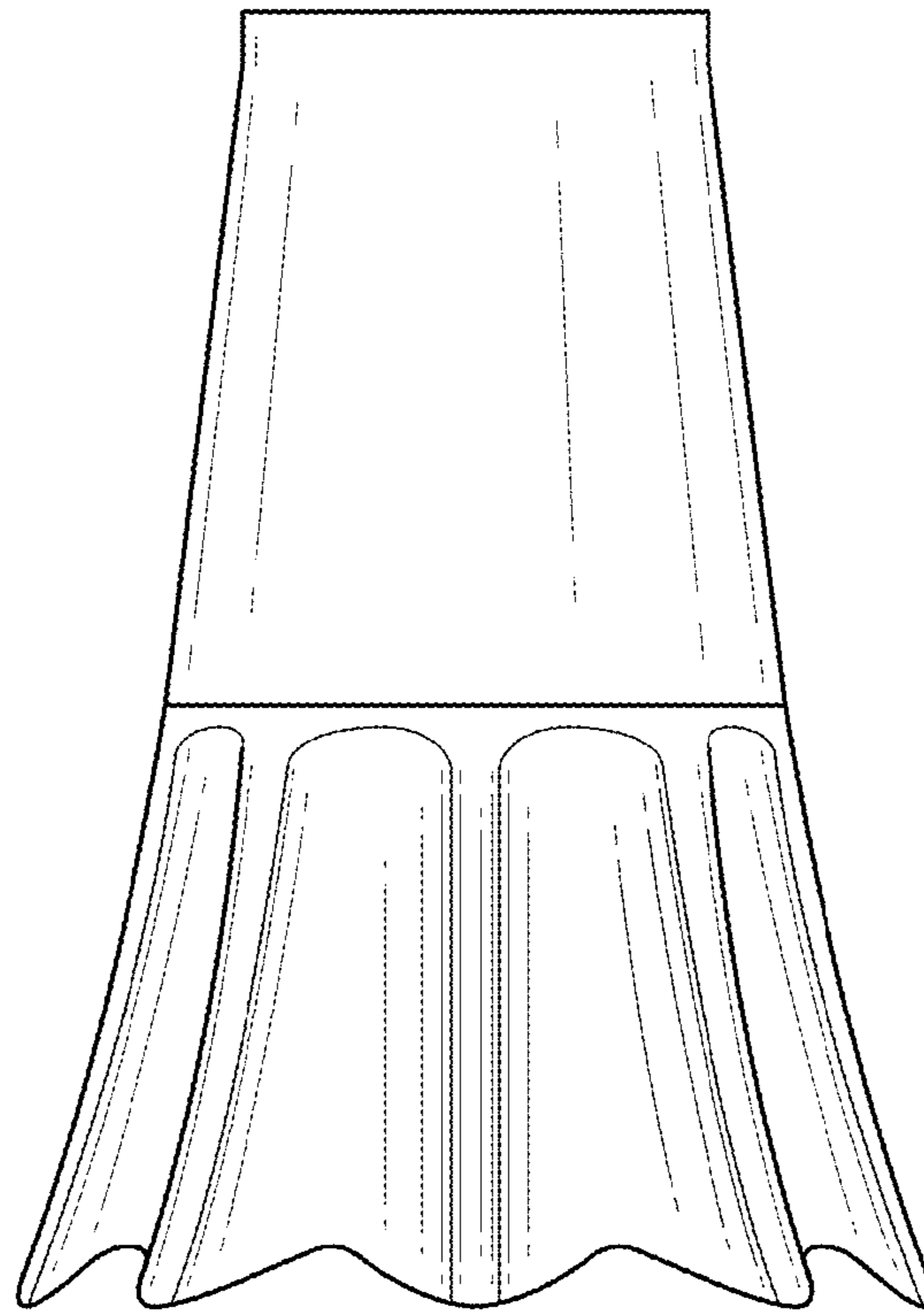


FIG. 2

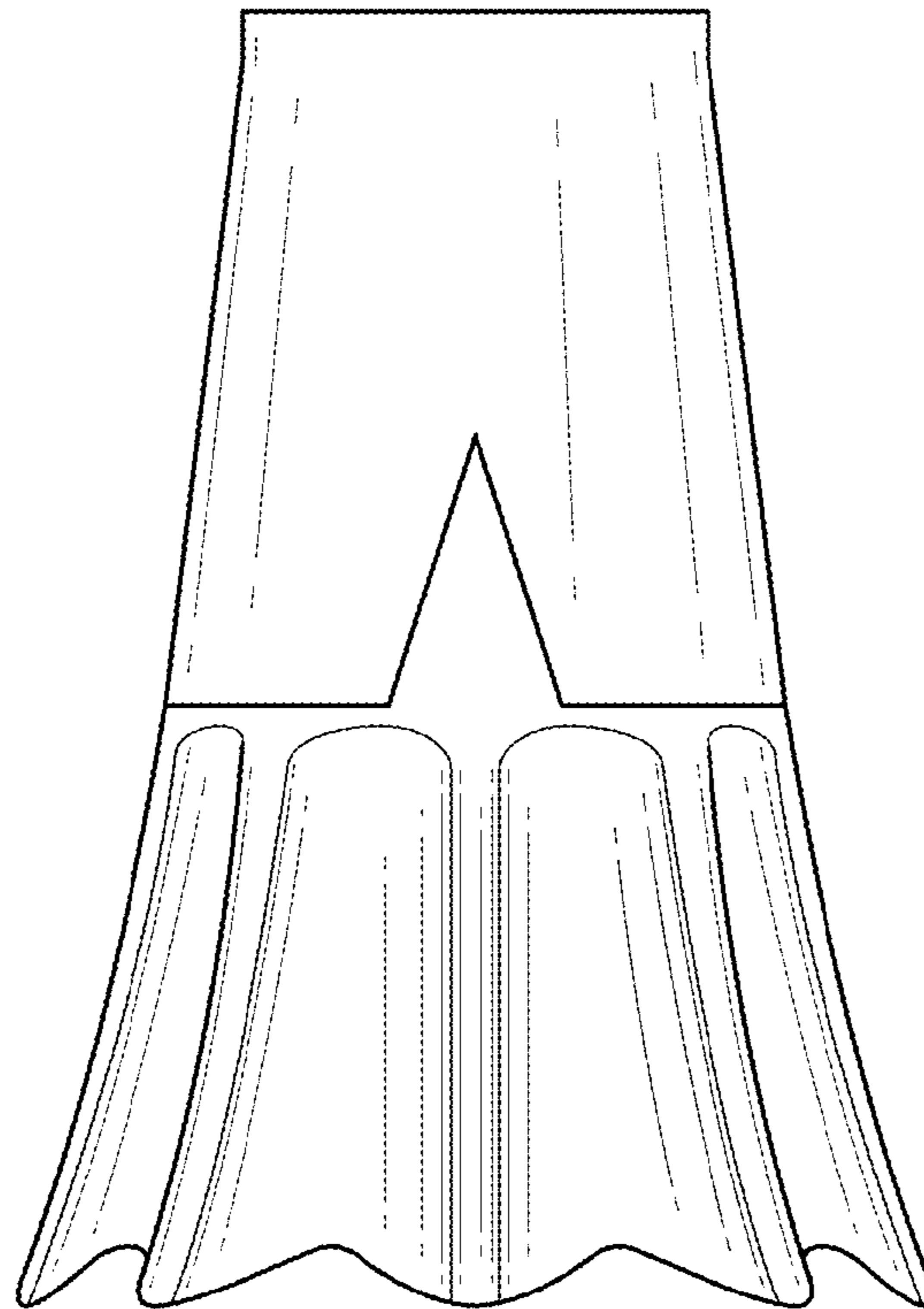


FIG. 3

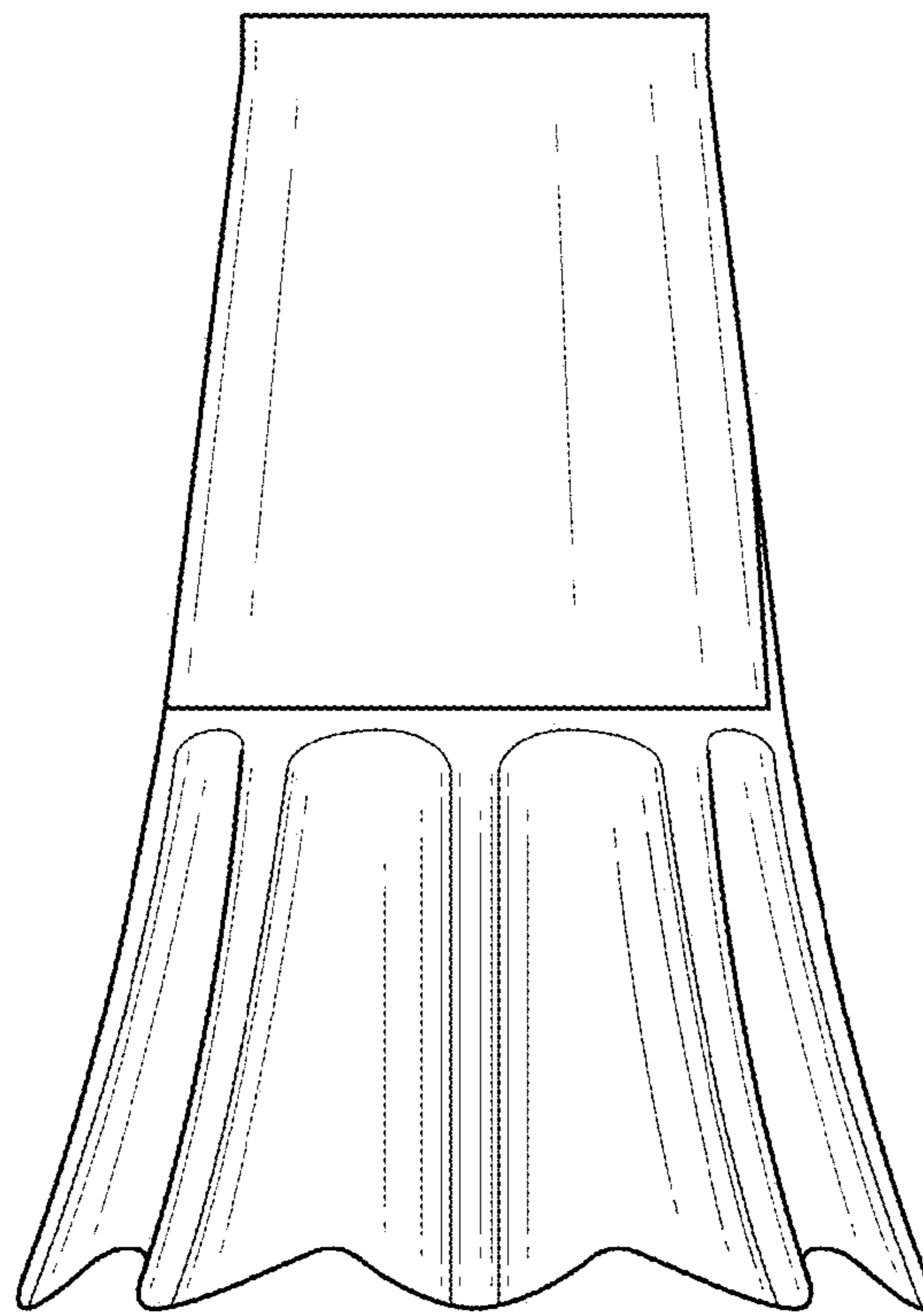


FIG. 4

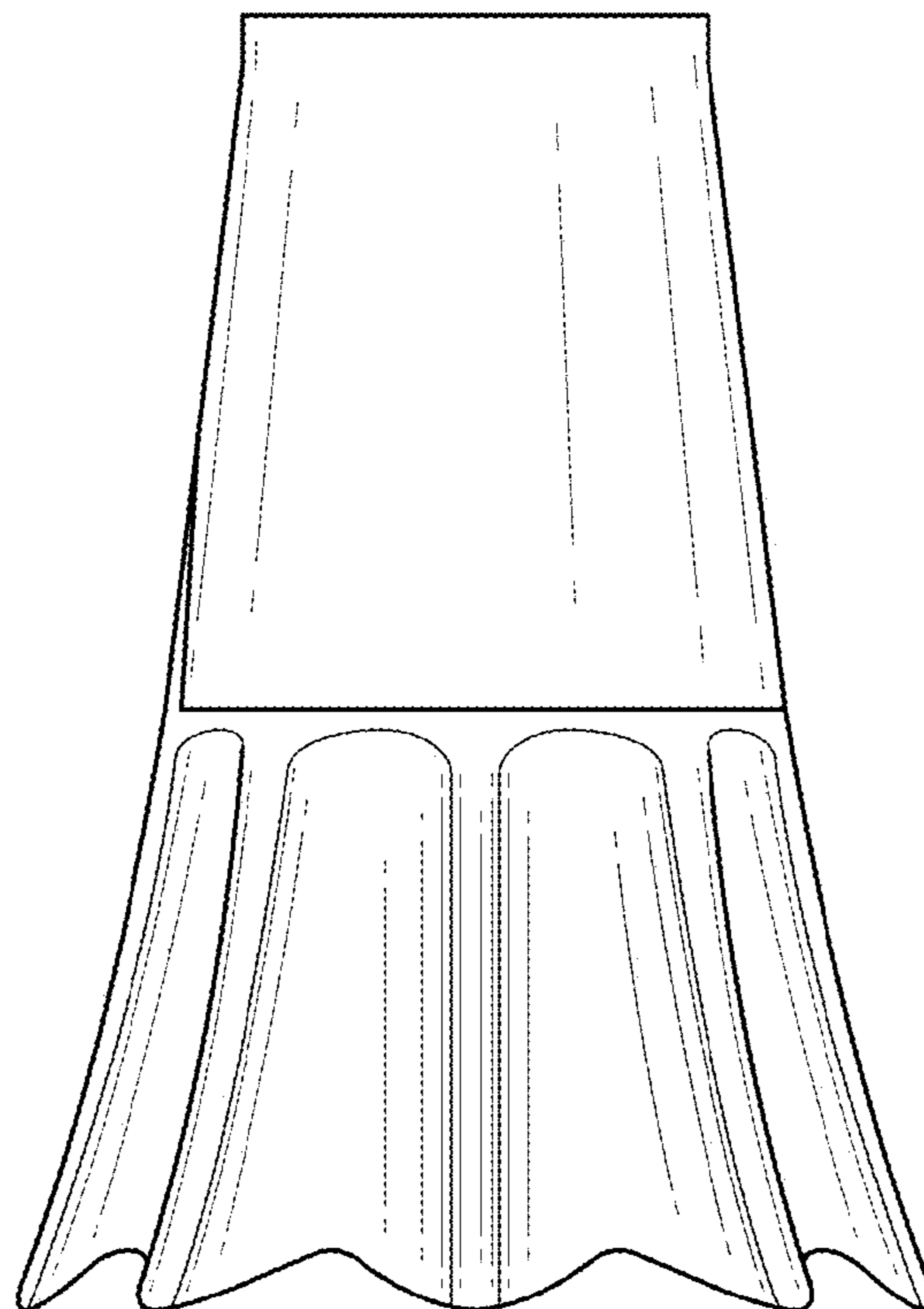


FIG. 5

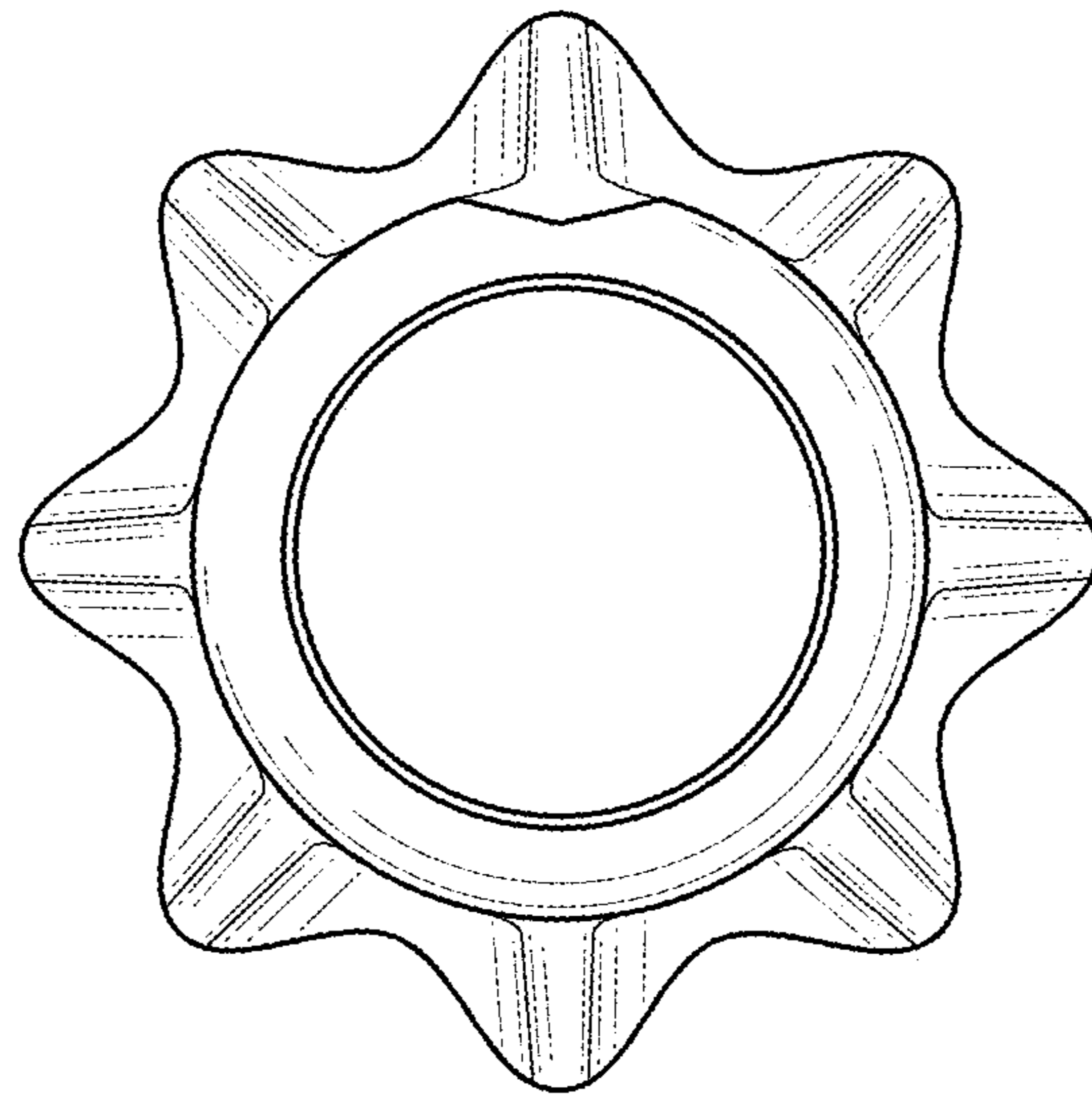


FIG. 6

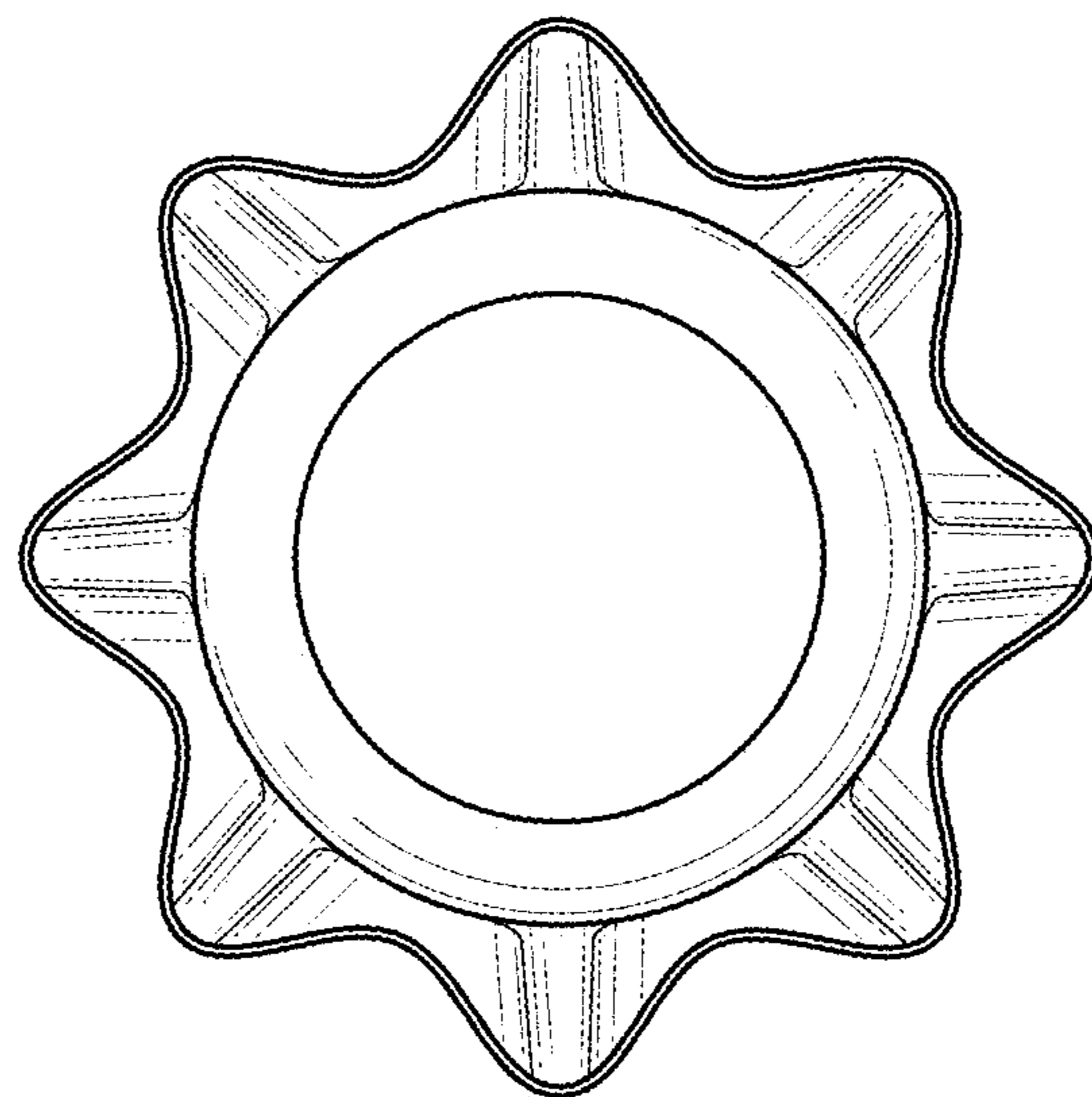


FIG. 7

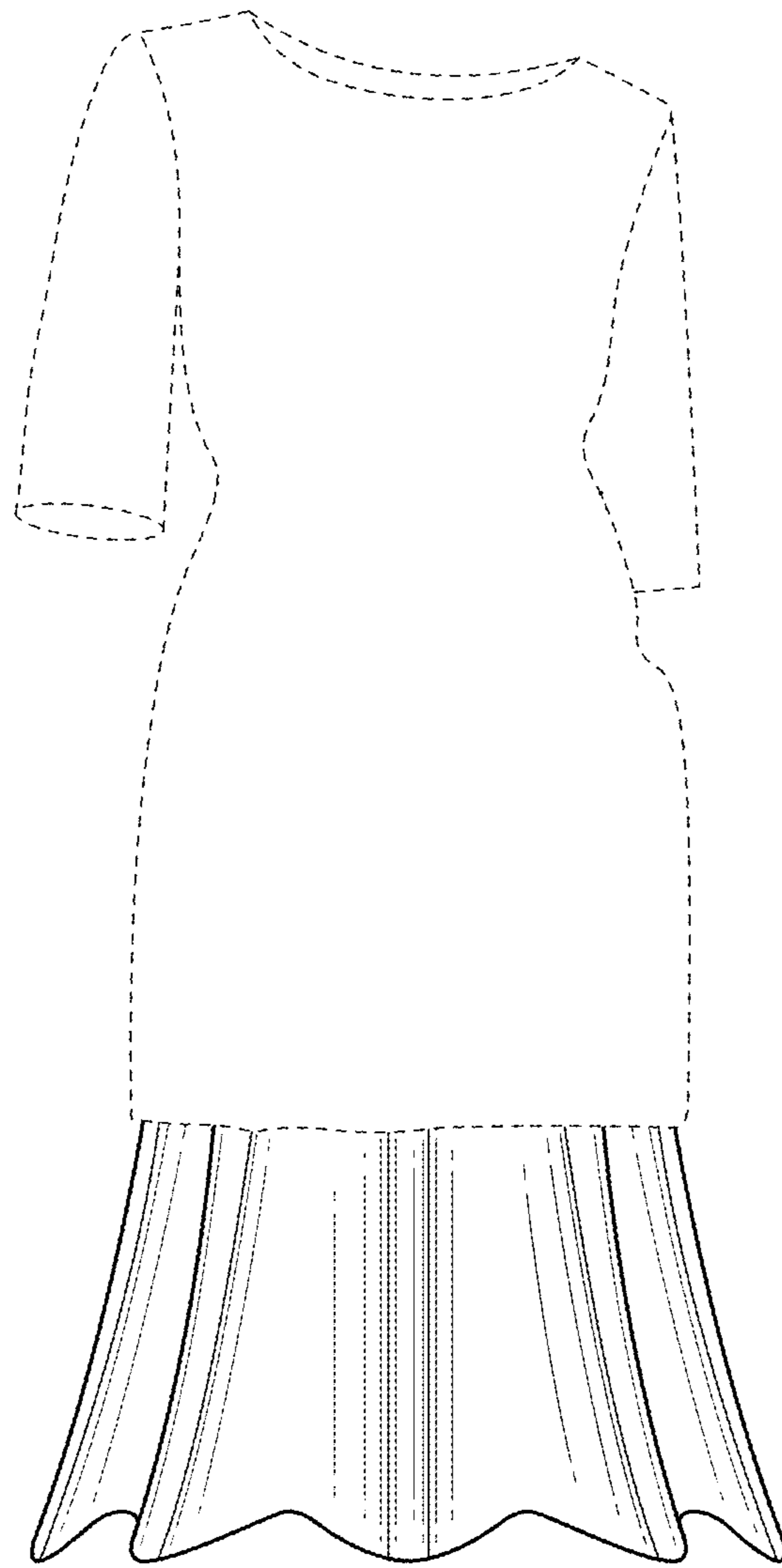


FIG. 8