

US00D96657S

(12) **United States Design Patent**
Ejiawoko

(10) **Patent No.:** **US D966,657 S**

(45) **Date of Patent:** **** Oct. 18, 2022**

(54) **INTEGRATED ILLUMINATION APPAREL**

(71) Applicant: **Michael Ejiawoko**, Las Vegas, NV
(US)

(72) Inventor: **Michael Ejiawoko**, Las Vegas, NV
(US)

(**) Term: **15 Years**

(21) Appl. No.: **29/833,281**

(22) Filed: **Apr. 2, 2022**

Related U.S. Application Data

(62) Division of application No. 29/678,884, filed on Jan. 31, 2019.

(51) **LOC (13) Cl.** **02-02**

(52) **U.S. Cl.**
USPC **D2/828**

(58) **Field of Classification Search**
USPC D2/828-830, 728, 739
CPC A41D 3/00; A41D 27/085; A41D 13/00;
B60Q 1/26
See application file for complete search history.

(56) **References Cited**

U.S. PATENT DOCUMENTS

D639,025 S *	6/2011	Holder	D2/839
D808,127 S *	1/2018	Hedrick	D2/828
10,155,558 B1 *	12/2018	Thompson Alvey ..	A41D 1/002	
D927,134 S *	8/2021	Robinson	D2/828
D938,139 S *	12/2021	Alamdar	D2/828
D938,140 S *	12/2021	Alamdar	D2/828
2014/0196192 A1 *	7/2014	Koller	A41D 3/00 2/85
2014/0340902 A1 *	11/2014	Nelson	F21V 23/0435 362/249.06

2016/0144775 A1 *	5/2016	Ejiawoko	A41D 13/01 340/465
2018/0236931 A1 *	8/2018	Abdullah	B62J 6/055
2021/0261046 A1 *	8/2021	Ejiawoko	A41D 13/01

OTHER PUBLICATIONS

LED Motorcycle Jacket Green, reviewed as early as Jun. 25, 2022 [online], (retrieved Jun. 27, 2022). Retrieved from the internet, <https://www.adidshops.xyz/ProductDetail.aspx?iid=311085871&pr=69.88> (Year: 2022).*

Textile Jacket / Yellow with Yellow Lettering, posted NA [online], (retrieved Jun. 27, 2022). Retrieved from the internet, <https://litgearshop.com/product/textile-jackets-yellow-with-yellos-lettering-size-50/> (Year: NA).*

Impulse Jackets Interact with Motorcycle's Brake & Signals, posted Oct. 12, 2013 [online], (retrieved Jun. 27, 2022). Retrieved from the internet, <https://ultimatemotorcycling.com/2013/10/12/impulse-jackets-interact-motorcycles-brake-signals-video/> (Year: 2013).*

* cited by examiner

Primary Examiner — Kevin K Rudzinski

Assistant Examiner — J. Thorn, Sr.

(74) *Attorney, Agent, or Firm* — Bayramoglu Law Offices LLC

(57) **CLAIM**

The ornamental design for an integrated illumination apparel, as shown and described.

DESCRIPTION

FIG. 1 is a front view of an integrated illumination apparel showing my new design;

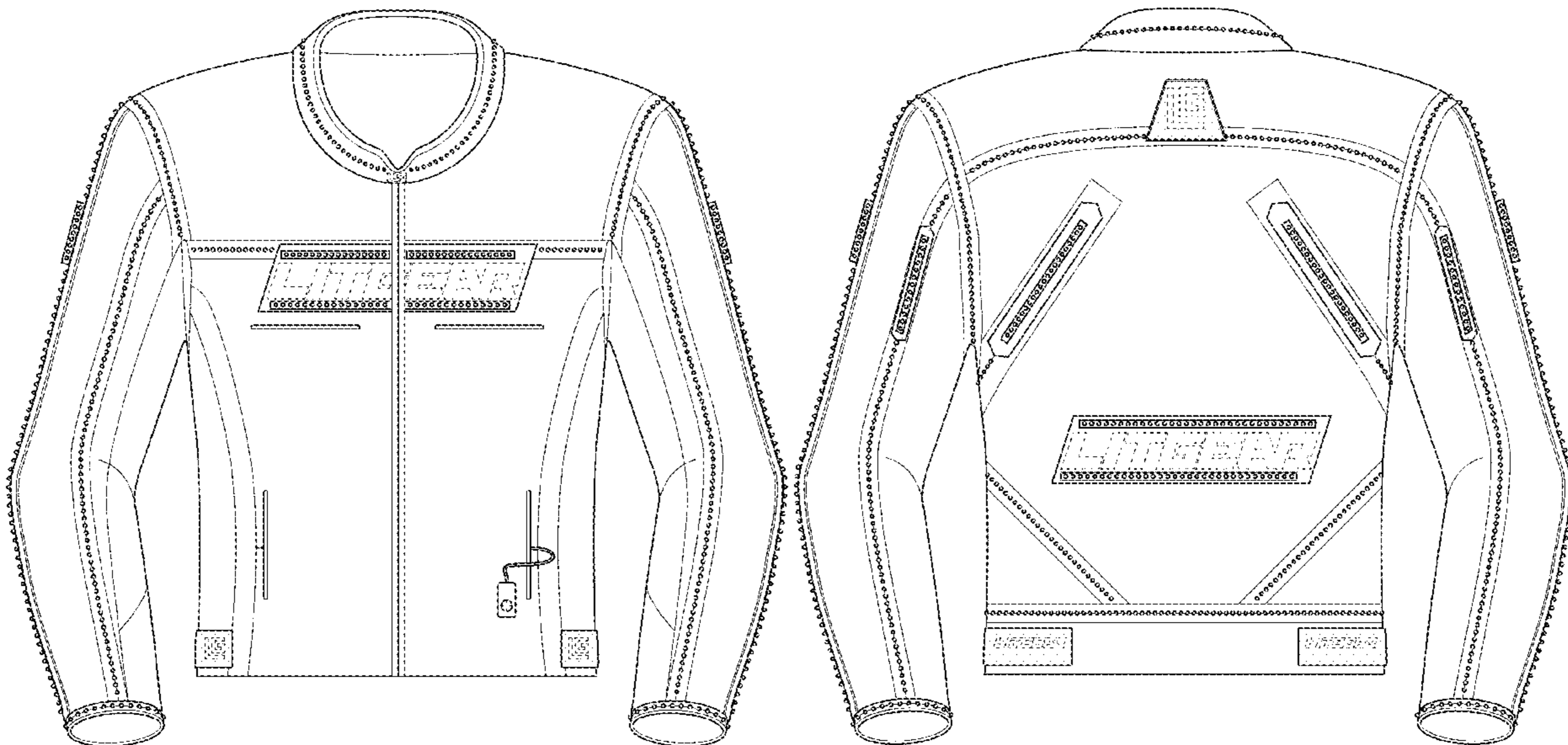
FIG. 2 is a rear view thereof;

FIG. 3 is a left side view thereof; and,

FIG. 4 is a right side view thereof.

The broken lines in the drawings depict portions of the integrated illumination apparel that form no part of the claimed design.

1 Claim, 3 Drawing Sheets



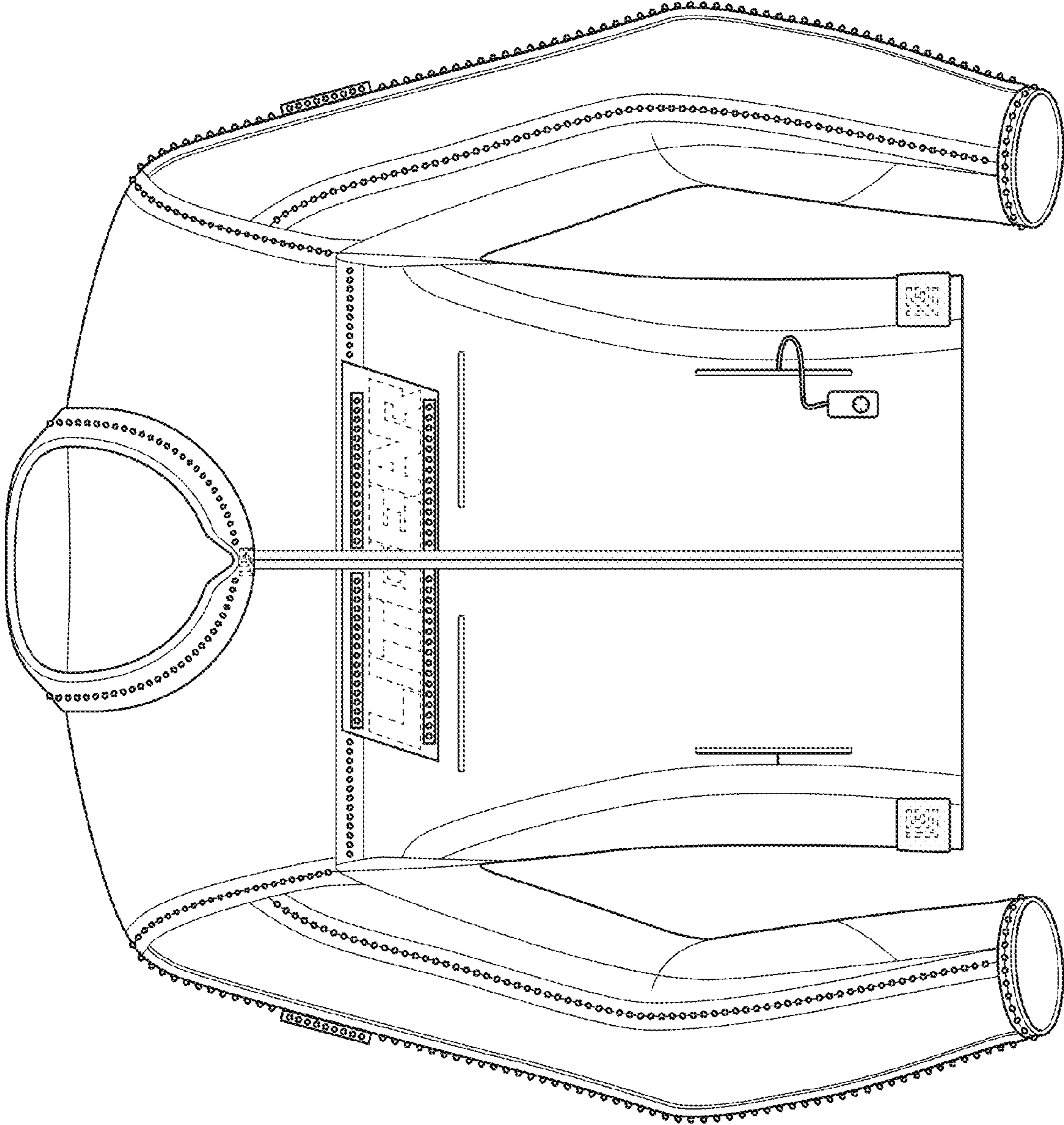


FIG. 1

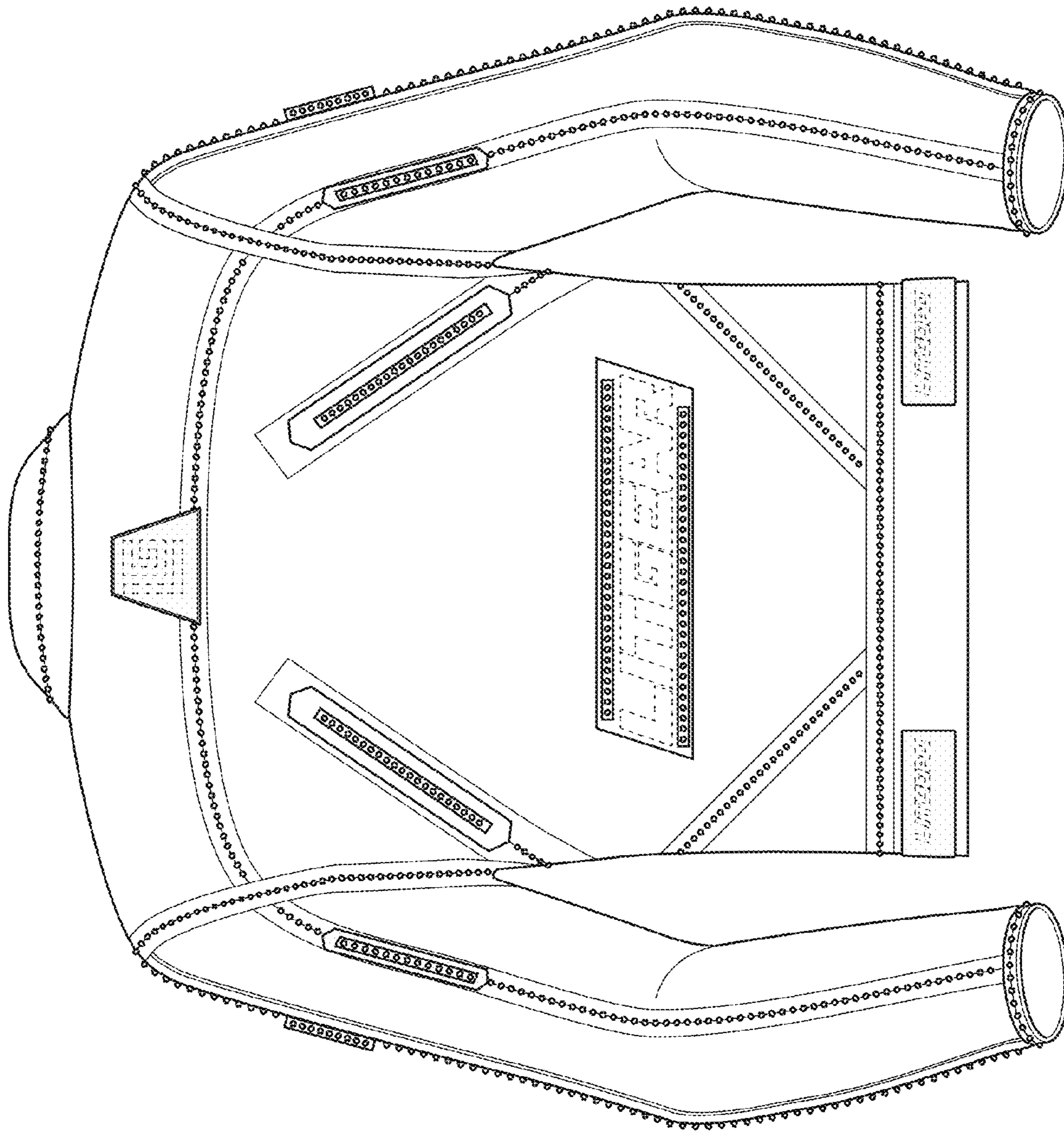


FIG. 2

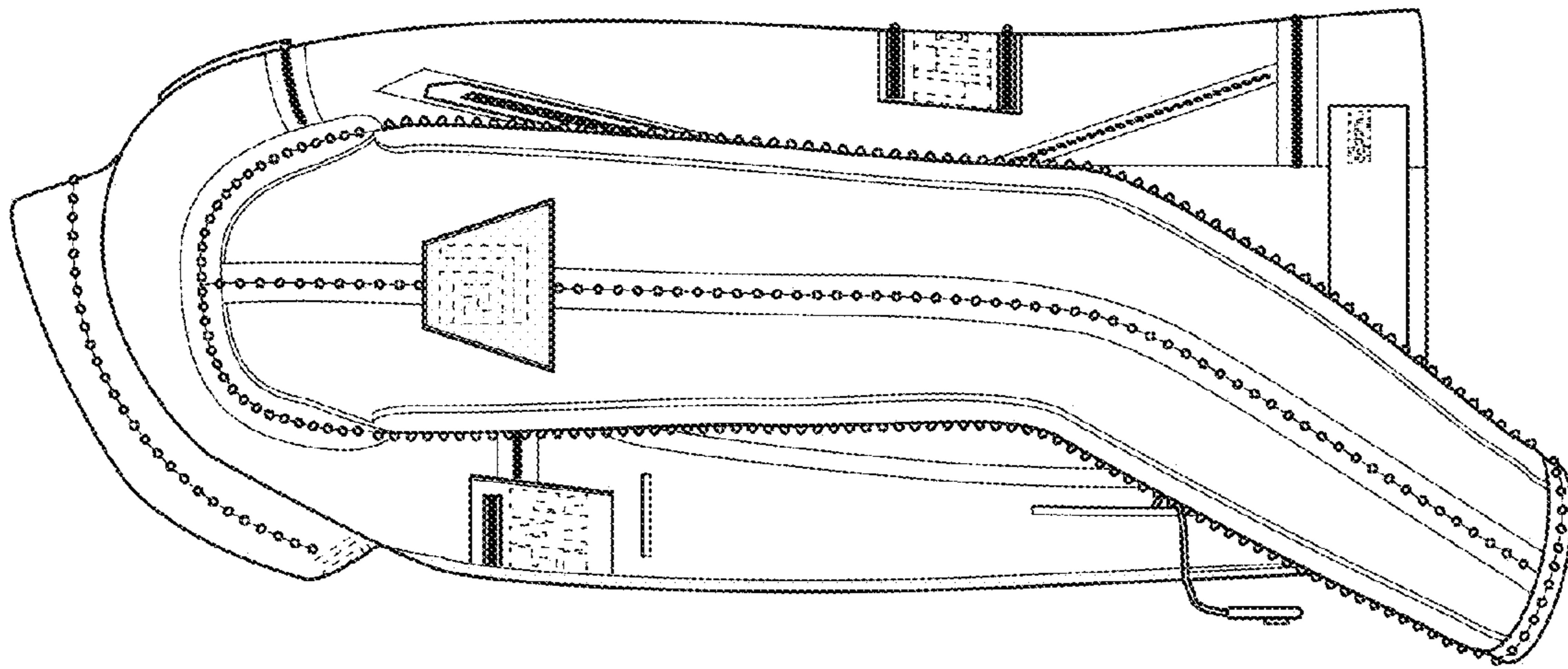


FIG. 4

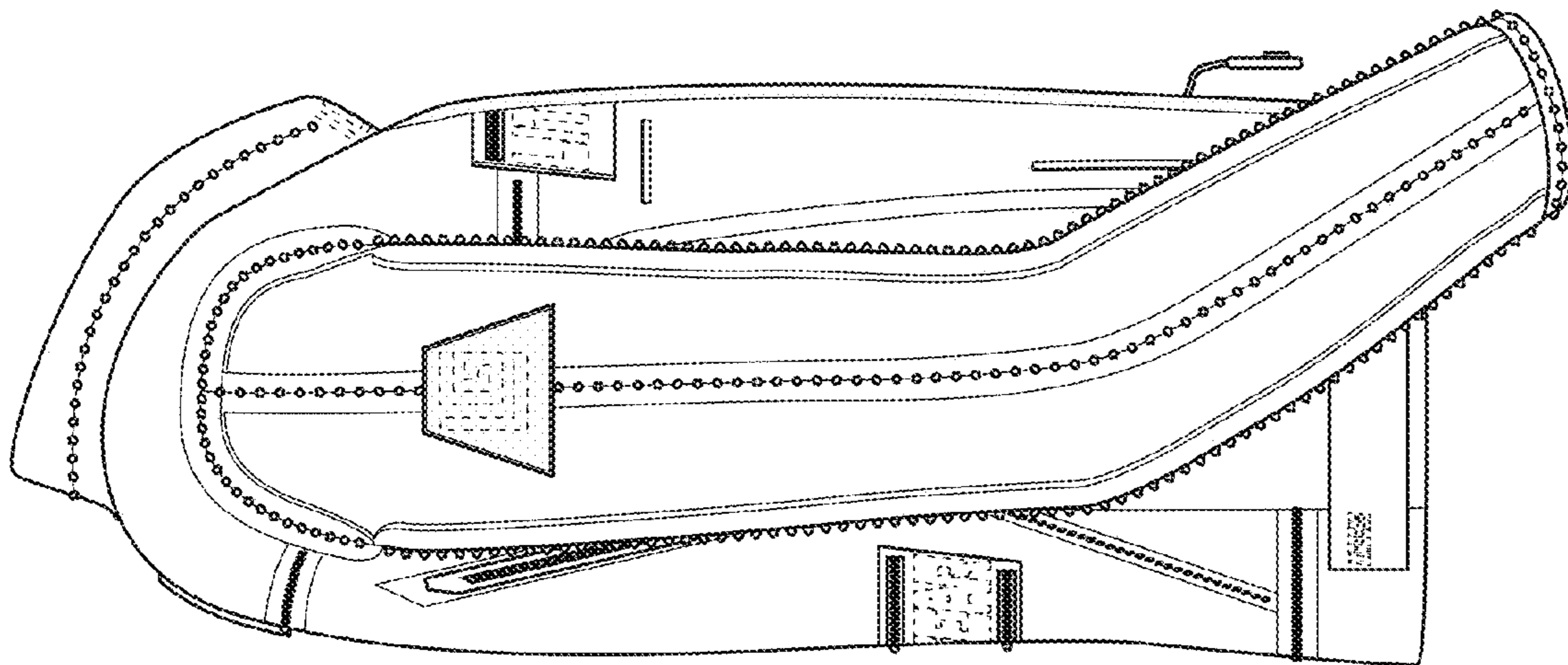


FIG. 3