



US00D966653S

(12) **United States Design Patent** (10) **Patent No.:** **US D966,653 S**
O'Neill et al. (45) **Date of Patent:** **** Oct. 18, 2022**

(54) **SLEEVE OF A GARMENT**

(71) Applicant: **PATCHTEN, INC.**, Plattsburgh, NY (US)

(72) Inventors: **Brynn Fessette O'Neill**, Plattsburgh, NY (US); **Amie Hirata**, Brooklyn, NY (US); **Gregory Scott Angel**, Brooklyn, NY (US)

(73) Assignee: **PATCHTEN INC.**, Plattsburgh, NY (US)

(**) Term: **15 Years**

(21) Appl. No.: **29/749,958**

(22) Filed: **Sep. 10, 2020**

(51) **LOC (13) Cl.** **02-02**

(52) **U.S. Cl.**
USPC **D2/720**

(58) **Field of Classification Search**
USPC D2/720, 717, 840, 857, 828
(Continued)

(56) **References Cited**

U.S. PATENT DOCUMENTS

2,374,643 A * 5/1945 Boettcher A42B 1/046
2/DIG. 1
4,004,294 A * 1/1977 Pinch A41D 1/215
2/104

(Continued)

FOREIGN PATENT DOCUMENTS

CN 106235475 * 12/2016
CN 216293126 * 4/2022

OTHER PUBLICATIONS

PATCH10 posted to [instagram.com](https://www.instagram.com/p/CDT_4/wpAfL/). Date available: Jul. 31, 2020 [site visited May 4, 2022] Available: <https://www.instagram.com/p/CDT_4/wpAfL/> (Year: 2020).*

(Continued)

Primary Examiner — Kevin K Rudzinski

(74) *Attorney, Agent, or Firm* — Gottlieb, Rackman & Reisman, P.C.

(57) **CLAIM**

The ornamental design for a sleeve of a garment, as shown and described.

DESCRIPTION

FIGS. 1-8 show a first embodiment of the sleeve of a garment of our design;

FIG. 1 is a perspective view of an entire garment, showing the sleeve being claimed with an opening being closed of the embodiment thereof;

FIG. 2 is a perspective view of an entire garment, showing the sleeve being claimed with the opening being open of the embodiment thereof;

FIG. 3 is a front elevational view with the opening being closed of the embodiment thereof;

FIG. 4 is a side elevational view with the opening being closed of the embodiment thereof;

FIG. 5 is a rear elevational view with the opening being closed of the embodiment thereof;

FIG. 6 is a front elevational view with the opening being open of the embodiment thereof;

FIG. 7 is a side elevational view with the opening being open of the embodiment thereof;

FIG. 8 is a rear elevational view with the opening being open of the embodiment thereof;

FIGS. 9-16 show a second embodiment of the sleeve of a garment of our design;

FIG. 9 is a perspective view of an entire garment, showing the sleeve being claimed with an opening being closed of the embodiment thereof;

FIG. 10 is a perspective view of an entire garment, showing the sleeve being claimed with the opening being open of the embodiment thereof;

FIG. 11 is a front elevational view with the opening being closed of the embodiment thereof;

FIG. 12 is a side elevational view with the opening being closed of the embodiment thereof;

FIG. 13 is a rear elevational view with the opening being closed of the embodiment thereof;

(Continued)

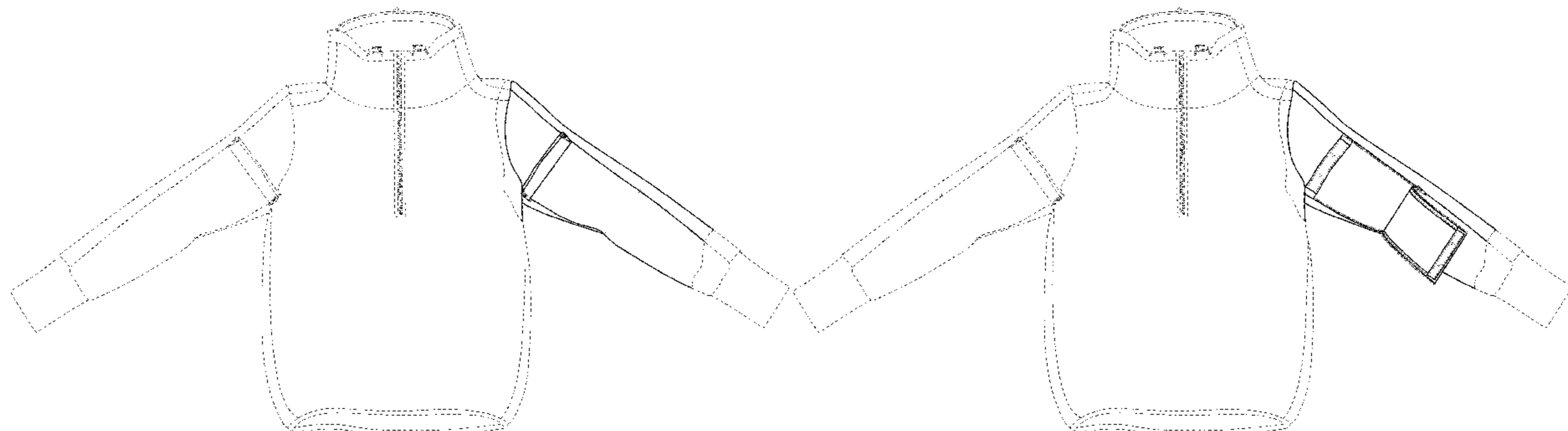


FIG. 14 is a front elevational view with the opening being open of the embodiment thereof;
 FIG. 15 is a side elevational view with the opening being open of the embodiment thereof; and,
 FIG. 16 is a rear elevational view with the opening being open of the embodiment thereof.
 The small broken lines illustrate portions of the sleeve of a garment that form no part of the claimed design. The large broken lines illustrate garment to show environment and form no part of the claim.

1 Claim, 8 Drawing Sheets

(58) Field of Classification Search

CPC A41D 27/20; A41D 13/1245
 See application file for complete search history.

(56) References Cited

U.S. PATENT DOCUMENTS

5,293,840 A * 3/1994 Wedlick A41D 13/1236
 128/874
 5,507,042 A * 4/1996 van der Slessen A41D 27/28
 2/108
 6,085,353 A * 7/2000 van der Slessen A41D 27/20
 2/93
 6,148,444 A * 11/2000 Holmes A41D 13/1245
 2/114
 6,647,552 B1 * 11/2003 Hogan A41D 13/1245
 2/114
 D560,879 S * 2/2008 Hines D2/840
 D609,432 S * 2/2010 Jennings D2/831

8,607,366 B2 * 12/2013 Austin A41D 13/1272
 604/174
 8,690,835 B1 * 4/2014 Parris A41D 13/1236
 604/179
 D758,697 S * 6/2016 Clark D2/828
 D806,991 S * 1/2018 Razdan D2/857
 10,165,809 B2 * 1/2019 Tong A41D 13/1245
 10,299,522 B2 * 5/2019 Kuo A61F 5/3746
 D856,633 S * 8/2019 Morrison D2/720
 D889,074 S * 7/2020 Jennings D2/720
 D894,533 S * 9/2020 Pfohl D2/720
 D913,633 S * 3/2021 Yadrich D2/717
 11,019,860 B1 * 6/2021 Pierce A41D 13/1236
 2007/0157362 A1 * 7/2007 Rogers A41D 13/1263
 2/114
 2015/0101102 A1 * 4/2015 Theodossiou A41D 13/1245
 2/114
 2015/0374048 A1 * 12/2015 Theodossiou A41D 13/1245
 2/114

OTHER PUBLICATIONS

Chemo Cozy Cozy Fleece by Chemo Cozy Store, posted to amazon.com. Date available: Nov. 3, 2017 [site visited May 4, 2022] Available: <https://www.amazon.com/Chemo-Cozy-Fleece-Chemotherapy-Clothing/dp/B077MQ6JZ8/ref=sr_1_56?crid=2WUG693R389A9&keywords=chemo%2Bjacket&qid=1651599553&srefix=chemo%2Bjacket%2Caps%2C136&sr=8-56&th=1> (Year: 2017).*

Designed With Patients in Mind by Caroline Newman, posted to <https://news.virginia.edu/>. Available date: Oct. 20, 2016 [site visited May 4, 2022] Available: <<https://news.virginia.edu/content/designed-patients-mind>> (Year: 2016).*

* cited by examiner

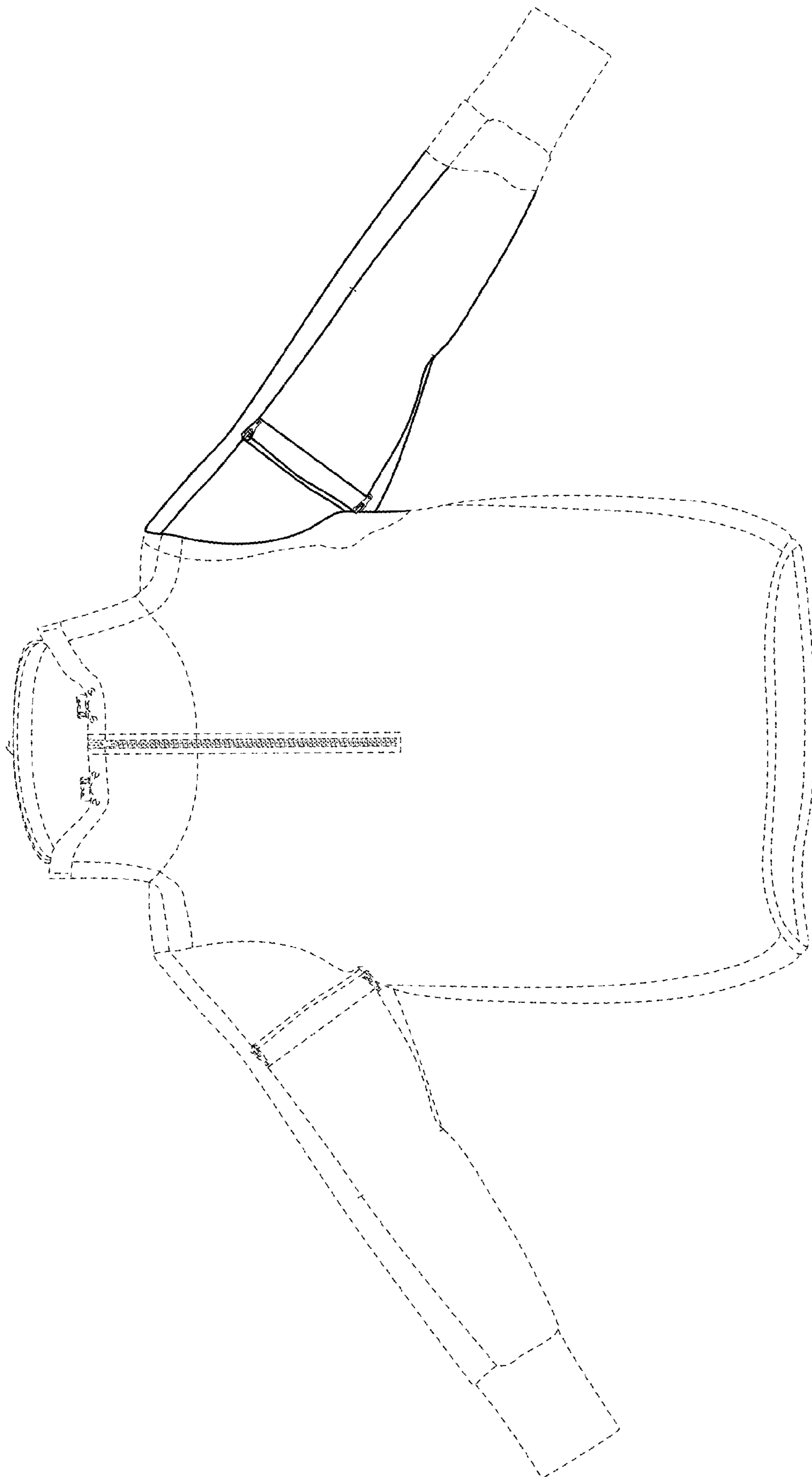


FIG. 1

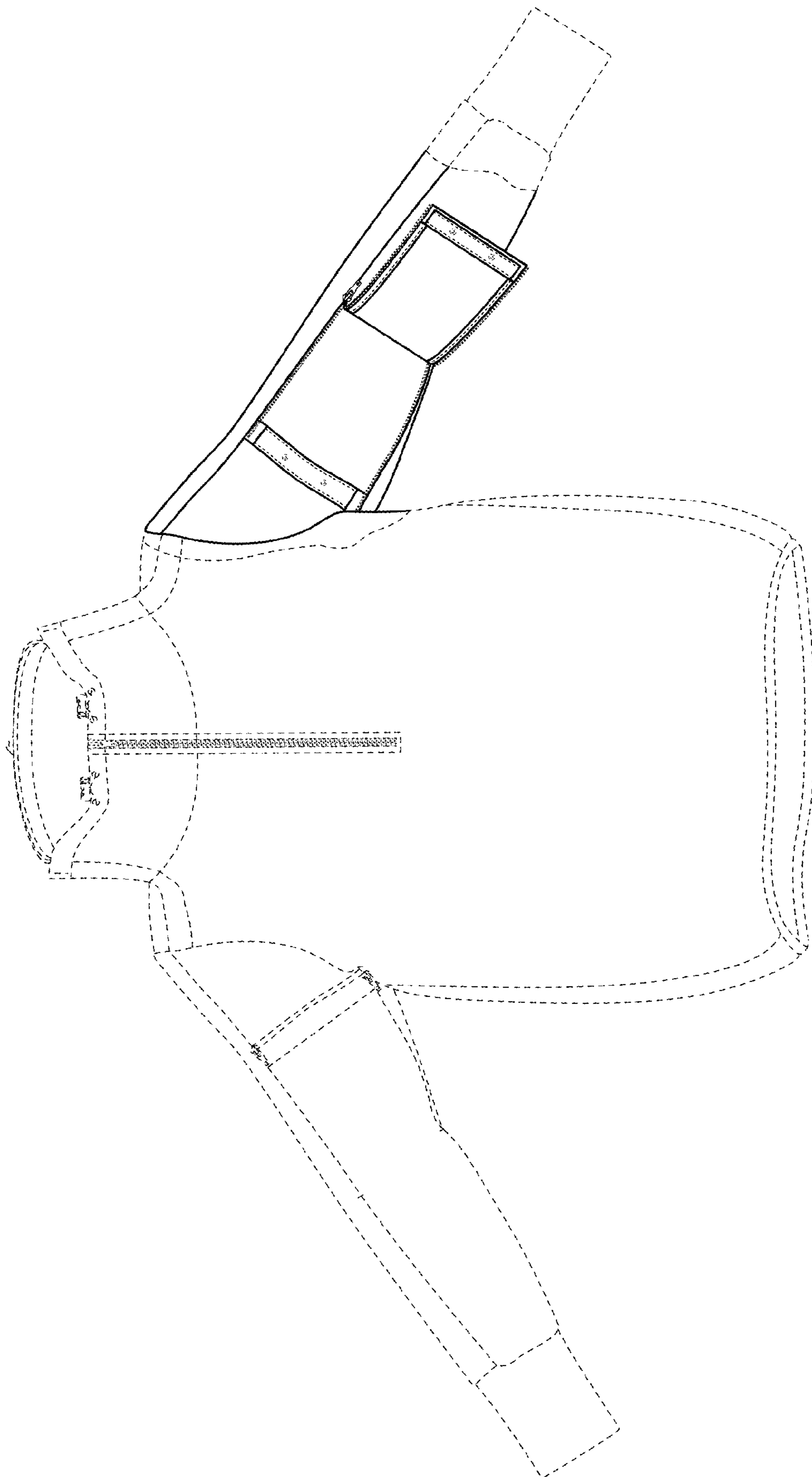


FIG. 2

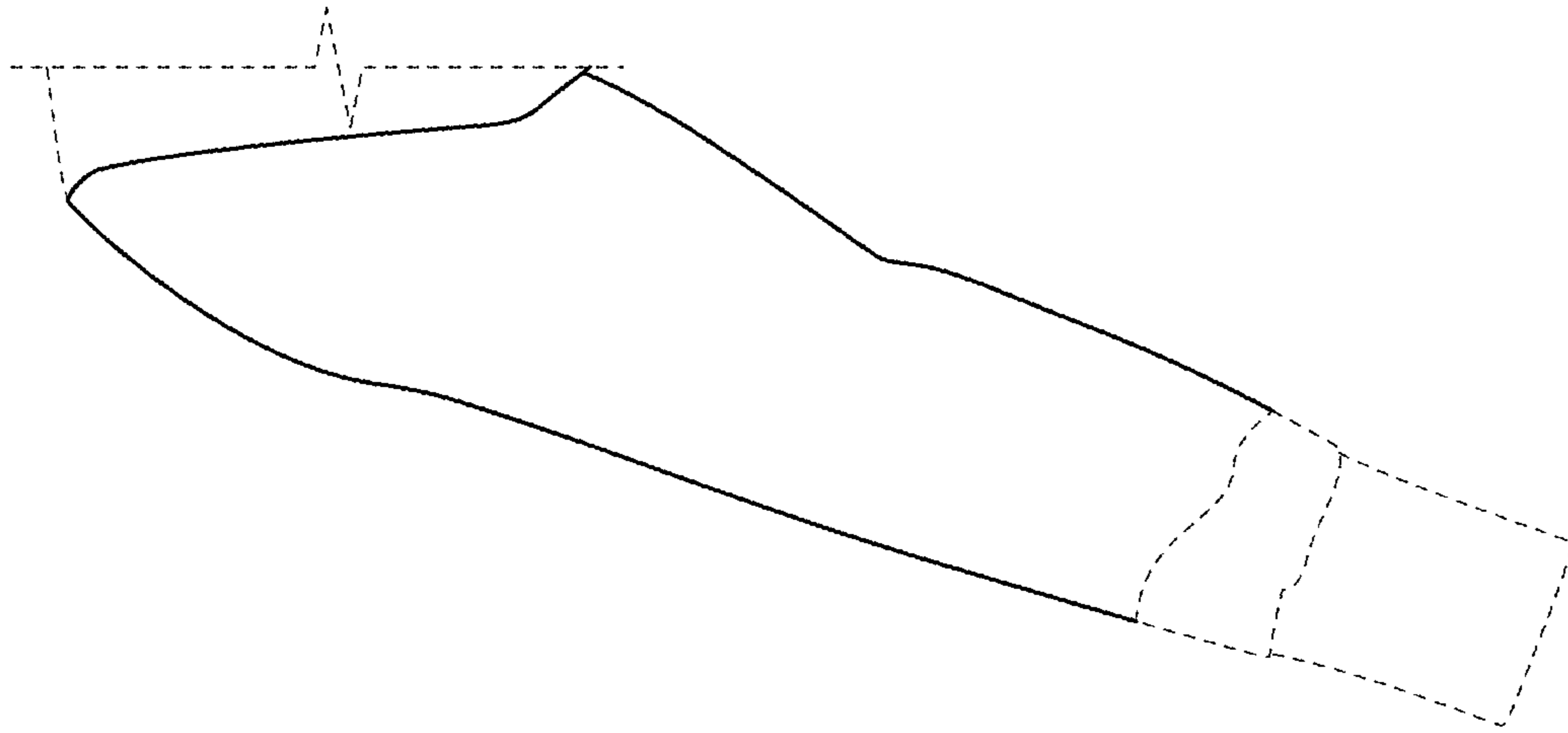


FIG. 5

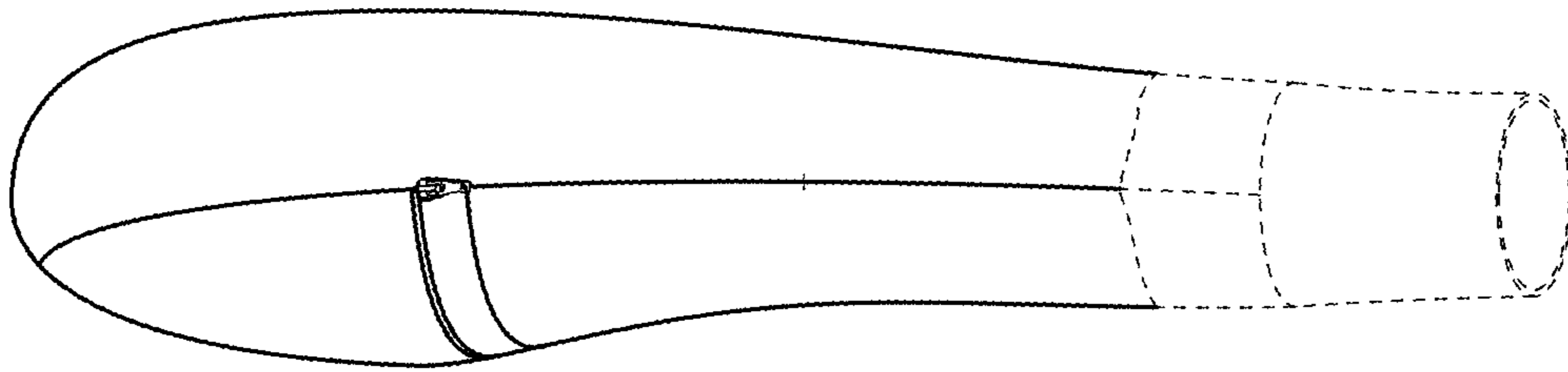


FIG. 4

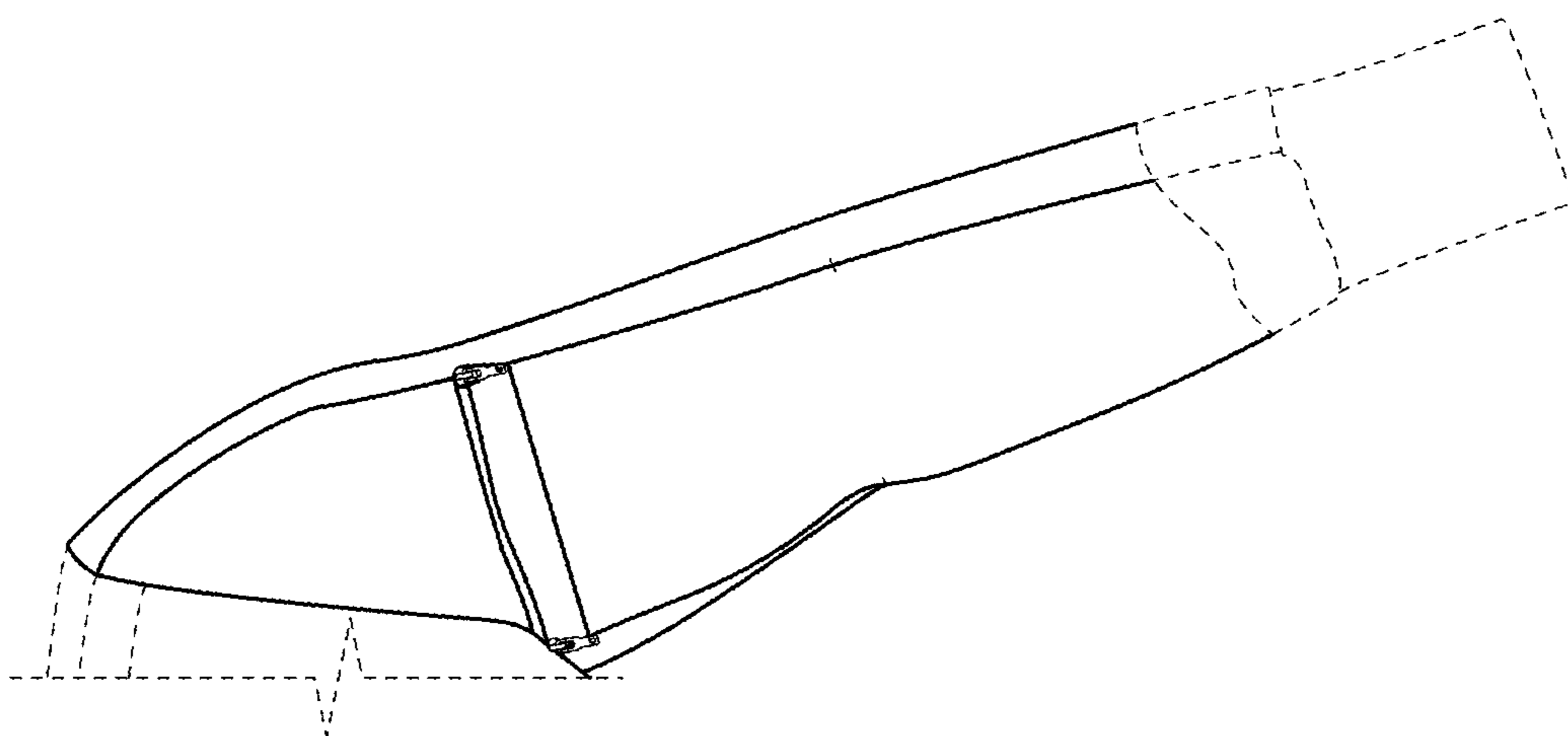


FIG. 3

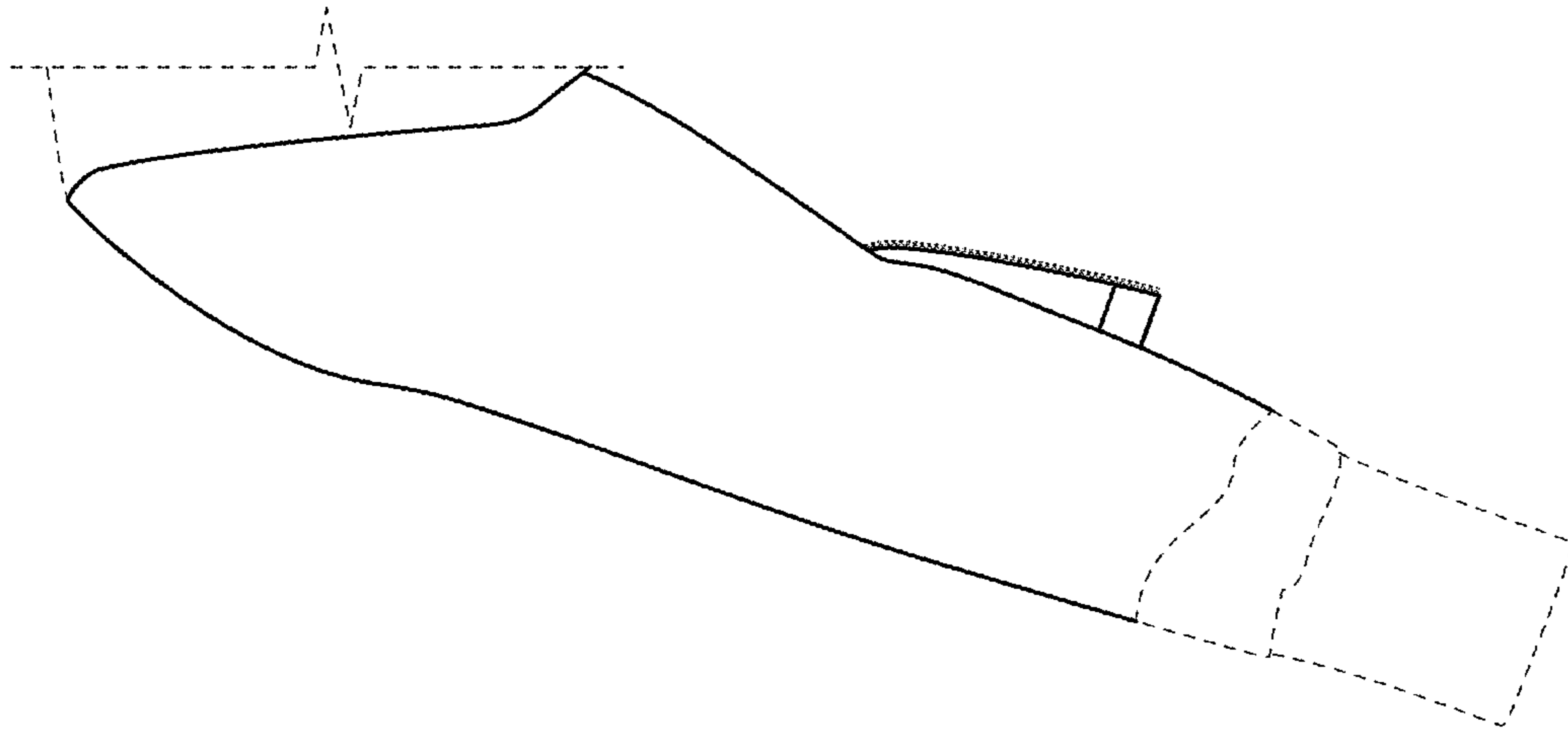


FIG. 6

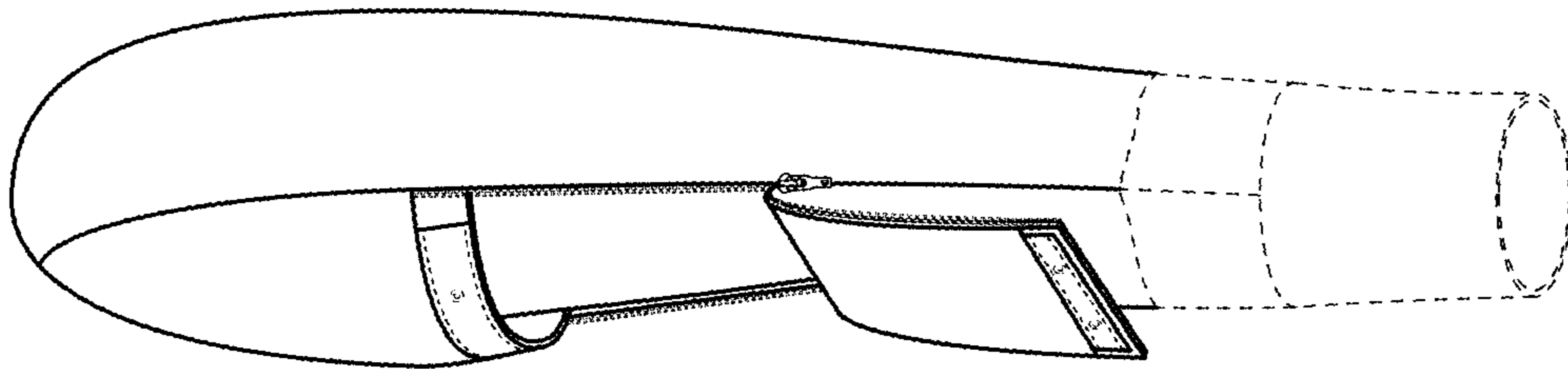


FIG. 7

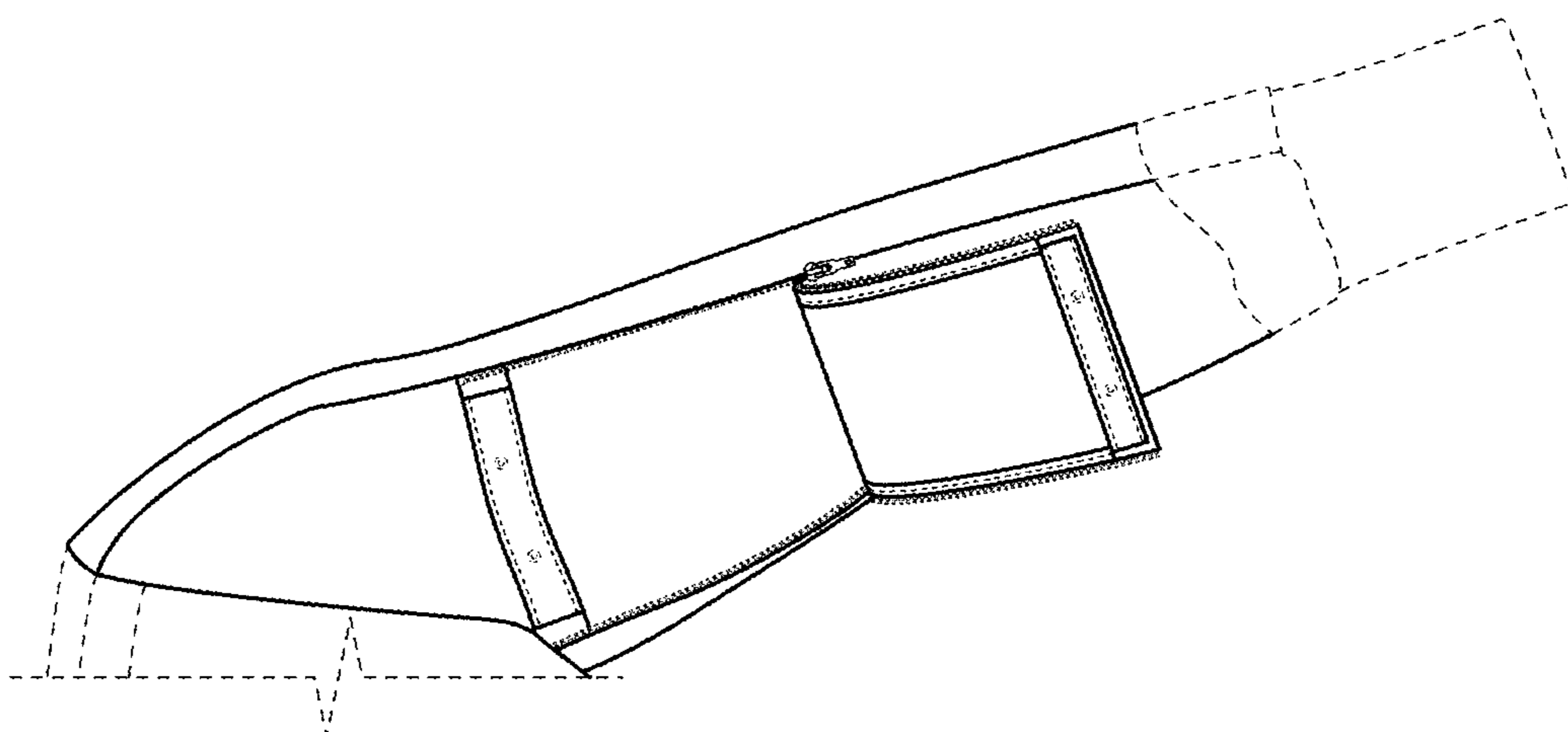


FIG. 8

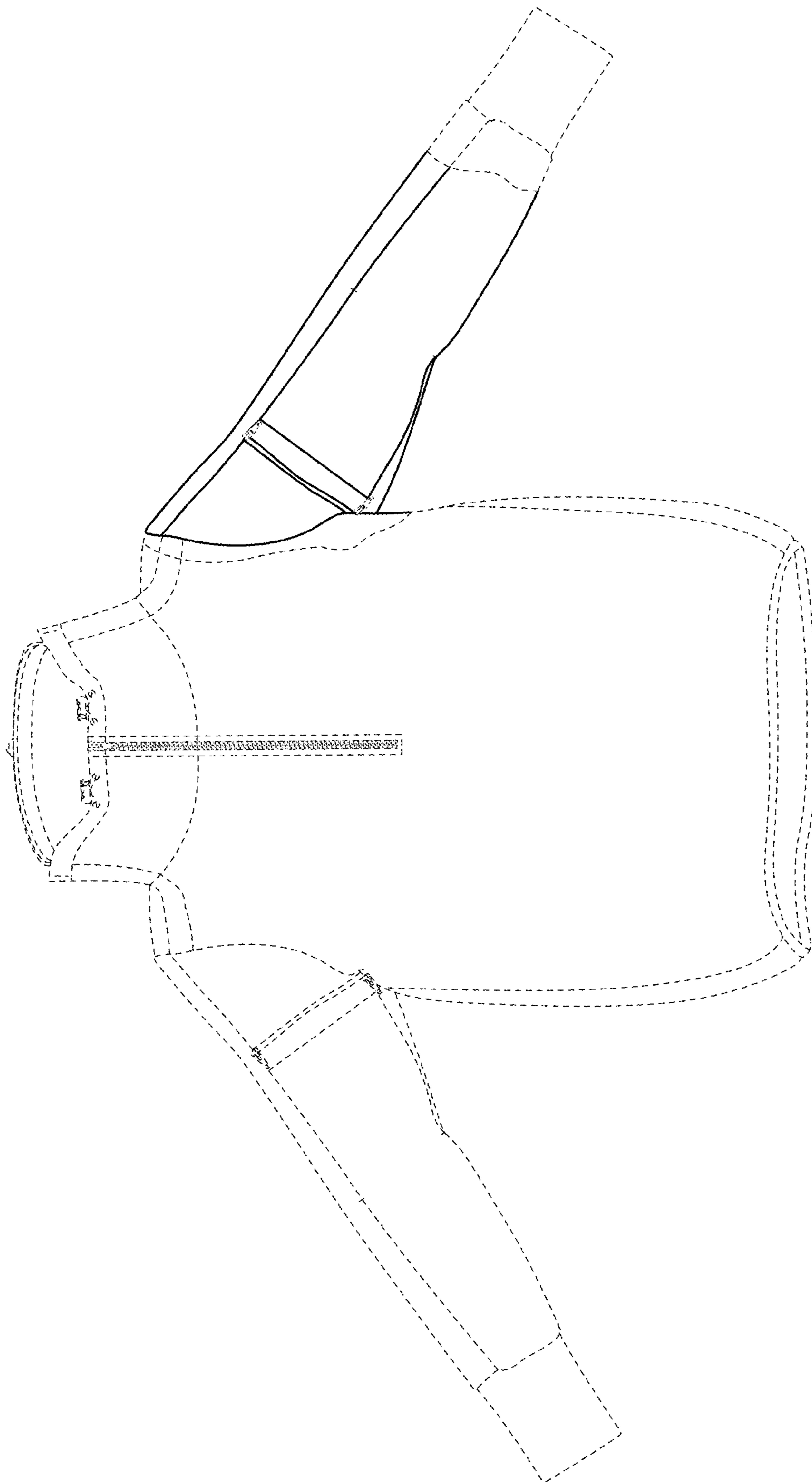


FIG. 9

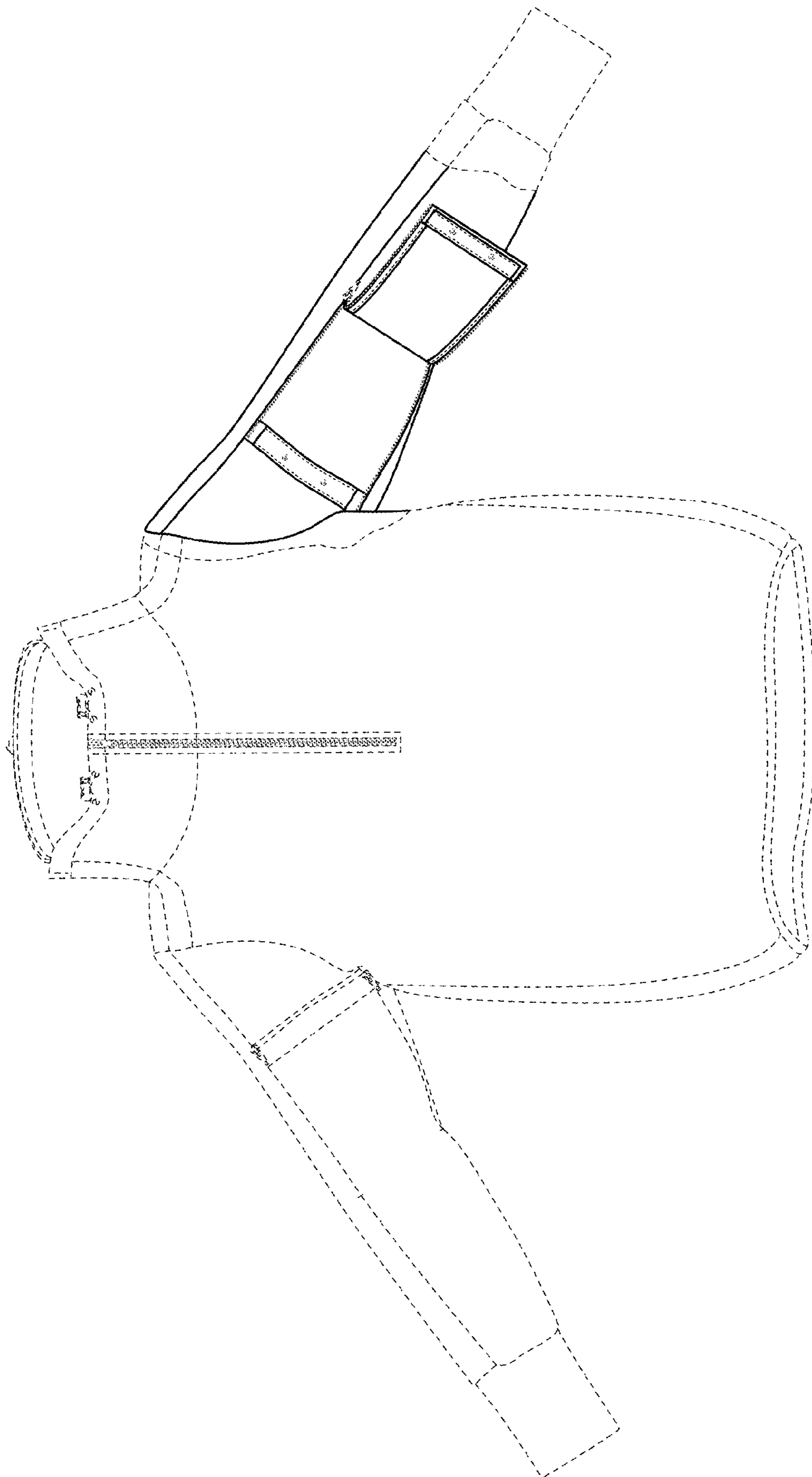


FIG. 10

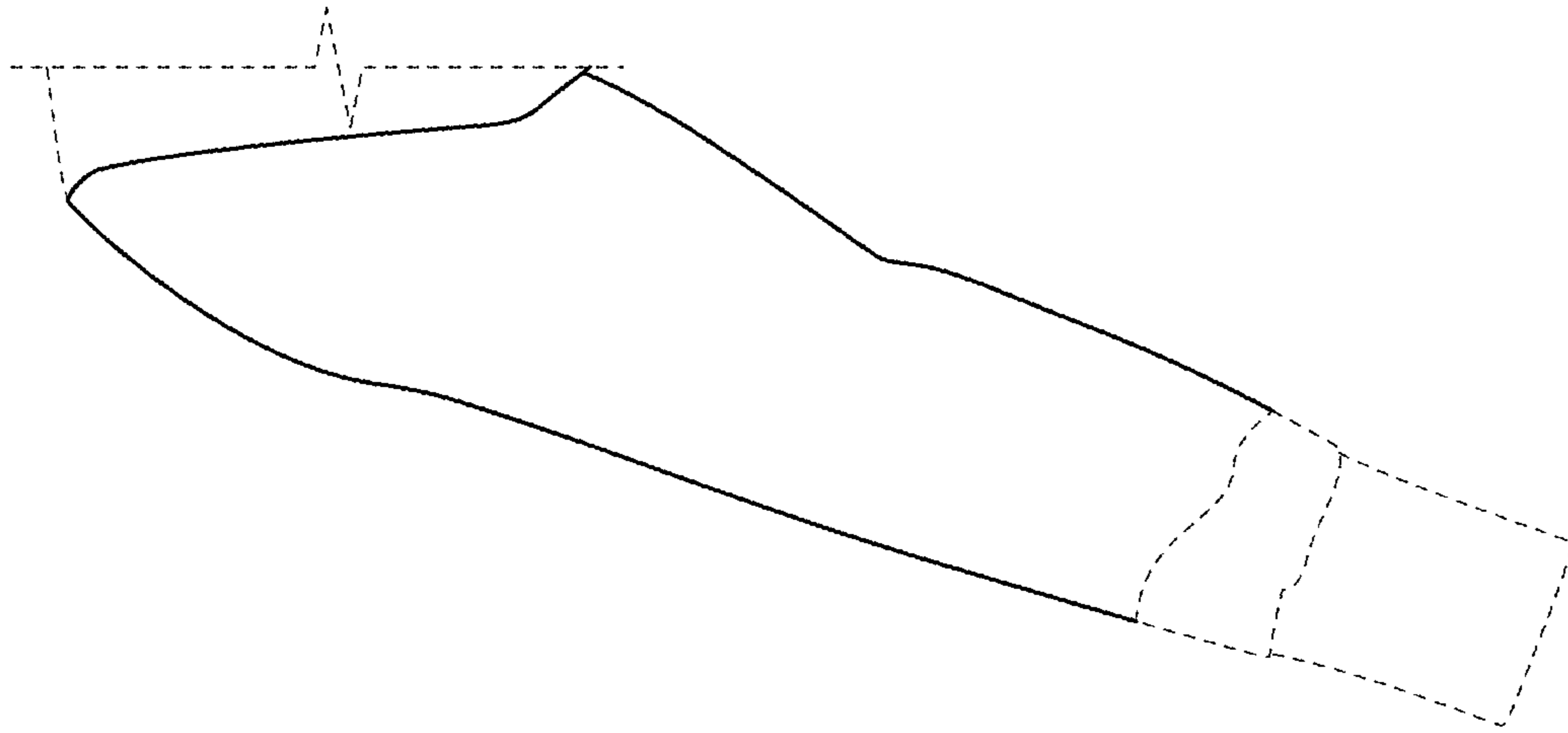


FIG. 11

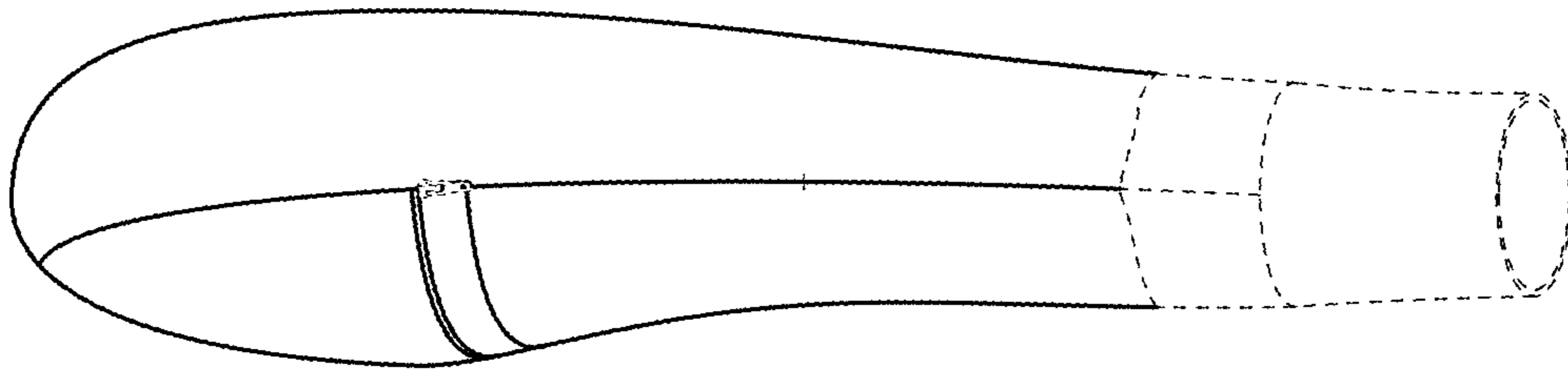


FIG. 12

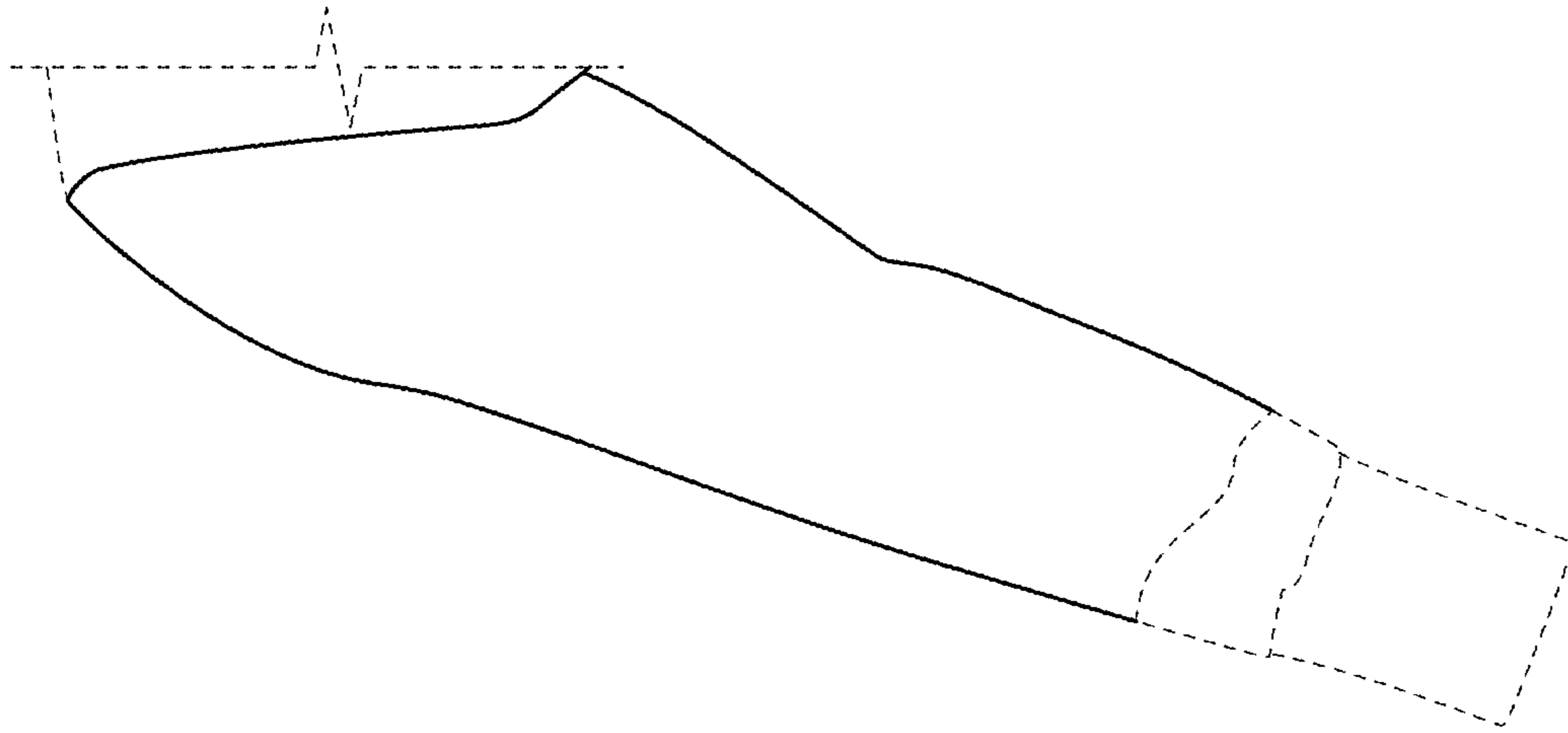


FIG. 13

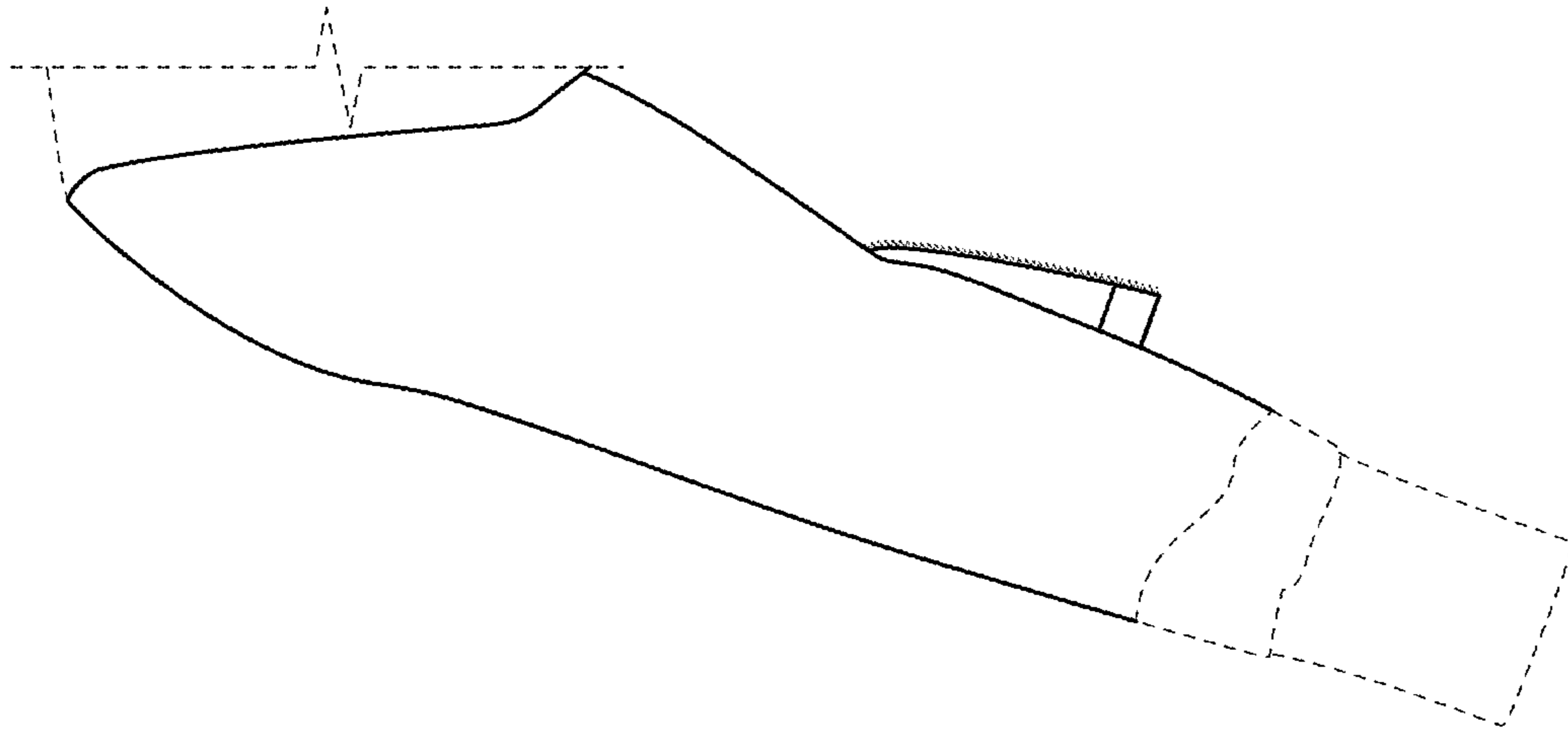


FIG. 14

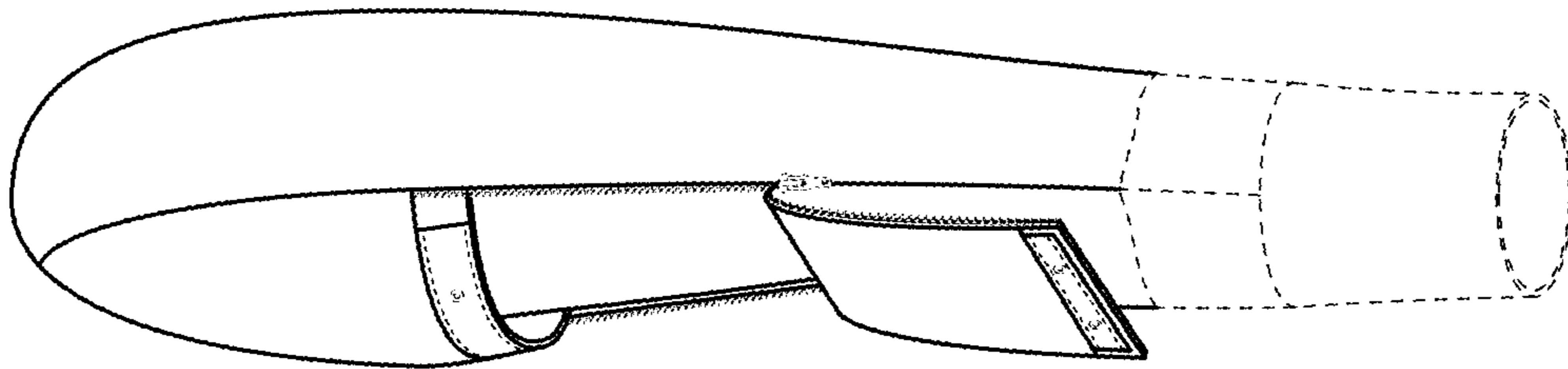


FIG. 15

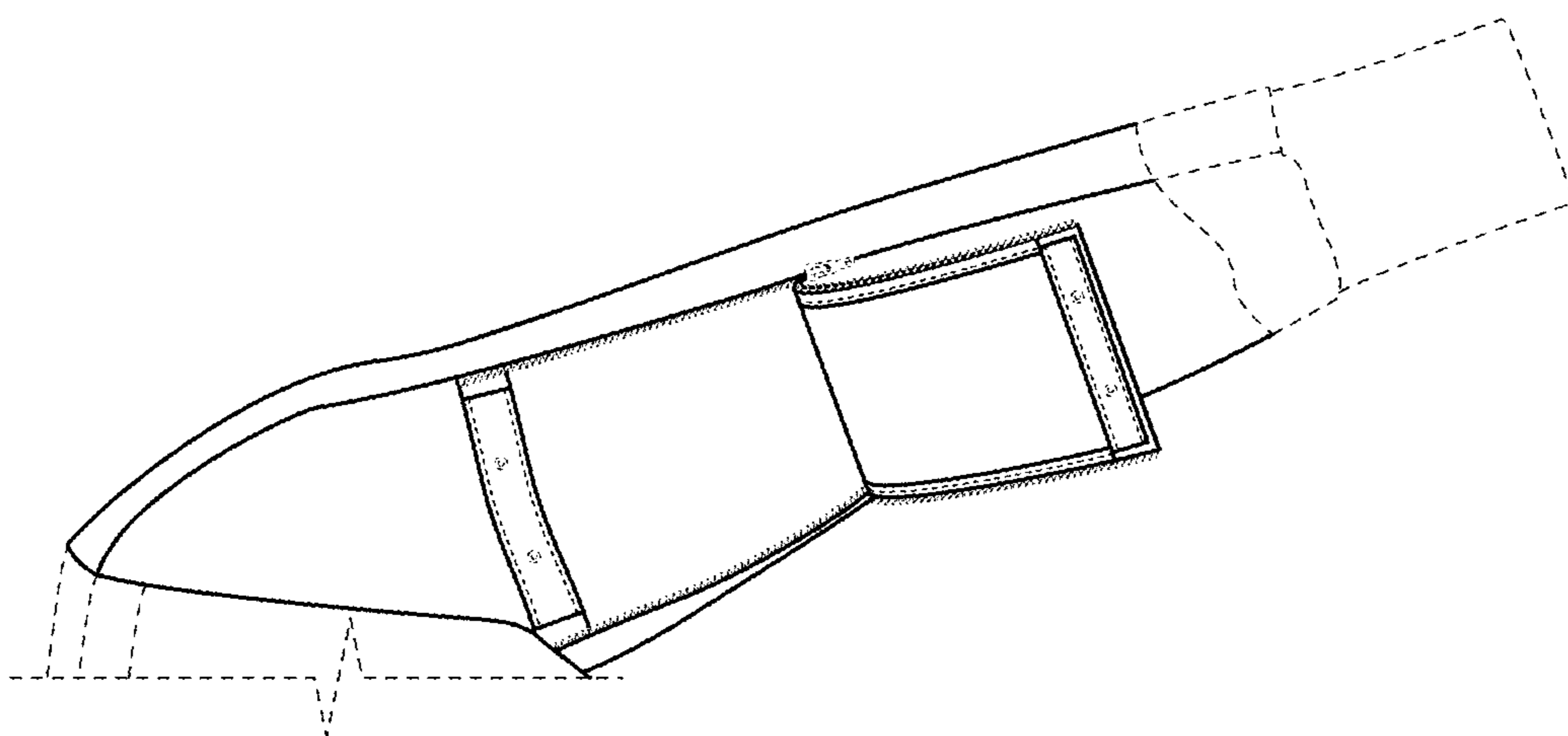


FIG. 16