

US00D96652S

(12) **United States Design Patent** (10) **Patent No.:** **US D966,652 S**  
**Aparicio et al.** (45) **Date of Patent:** **\*\* Oct. 18, 2022**

(54) **UNDERWEAR**

(71) Applicant: **Fruit of the Loom, Inc.**, Bowling Green, KY (US)

(72) Inventors: **Jonathan Aparicio**, Bowling Green, KY (US); **Chad Holleman**, Bowling Green, KY (US)

(73) Assignee: **Fruit of the Loom, Inc.**, Bowling Green, KY (US)

(\*\*) Term: **15 Years**

(21) Appl. No.: **29/832,682**

(22) Filed: **Mar. 29, 2022**

**Related U.S. Application Data**

(62) Division of application No. 29/677,511, filed on Jan. 22, 2019, now Pat. No. Des. 947,494.

(51) **LOC (13) Cl.** ..... **02-01**

(52) **U.S. Cl.**  
USPC ..... **D2/712**

(58) **Field of Classification Search**  
USPC ..... D2/712-714, 737-738; D24/126  
CPC .... A41B 9/00; A41B 9/02; A41B 9/04; A41B 9/004; A41B 9/005; A41B 9/007  
See application file for complete search history.

(56) **References Cited**

**U.S. PATENT DOCUMENTS**

6,557,183	B1 *	5/2003	Truong	.....	A41B 9/02
					2/403
D735,444	S *	8/2015	Harris	.....	D2/712
D809,242	S *	2/2018	Kimel	.....	D2/712
D809,243	S *	2/2018	Kimel	.....	D2/712
D848,110	S *	5/2019	Harris	.....	A41B 9/026
					D2/712
D850,059	S *	6/2019	Cai	.....	D2/712
D894,530	S *	9/2020	Perry	.....	D2/712

D912,929	S *	3/2021	Baker	.....	D2/712
D919,232	S *	5/2021	Stein	.....	D2/712
D947,493	S *	4/2022	Aparicio	.....	D2/712
D947,494	S *	4/2022	Aparicio	.....	D2/712

(Continued)

**OTHER PUBLICATIONS**

BINBEIV Men's Varicocele Underwear, posted May 28, 2021 [online], (retrieved May 31, 2022). Retrieved from the internet, <https://www.amazon.com/BINBEIV-Mens-Varicocele-Underwear-Testicle/dp/B0962M9M5F?th=1> (Year: 2021).\*

(Continued)

*Primary Examiner* — Kevin K Rudzinski

*Assistant Examiner* — J. Thorn, Sr.

(74) *Attorney, Agent, or Firm* — Jacob W Neu; Bradley Arant Boult Cummings LLP

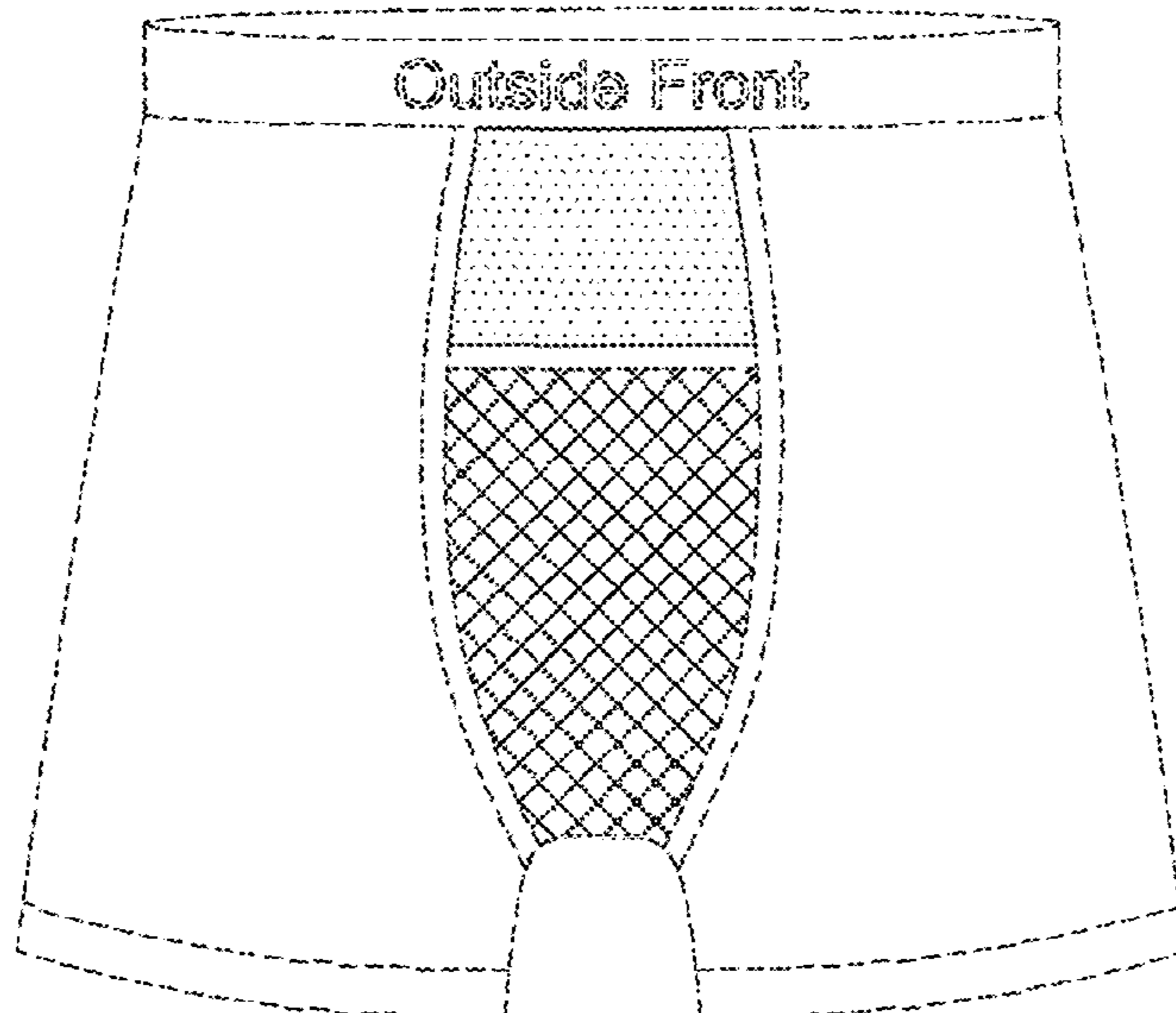
(57) **CLAIM**

The ornamental design for underwear, substantially as shown and described.

**DESCRIPTION**

FIG. 1 is a front exterior view of underwear in accordance with the present invention shown in a first embodiment. FIG. 2 is a front interior view thereof. FIG. 3 is a rear exterior view thereof. FIG. 4 is a rear interior view thereof. FIG. 5 is a front exterior view of underwear in accordance with the present invention shown in a second embodiment. FIG. 6 is a front interior view thereof. FIG. 7 is a rear exterior view thereof; and, FIG. 8 is a rear interior view thereof. The broken lines shown in the drawings depict portions of the underwear that form no part of the claimed design. The shaded portions of each embodiment represent contrasting colors.

**1 Claim, 4 Drawing Sheets**



(56)

**References Cited**

U.S. PATENT DOCUMENTS

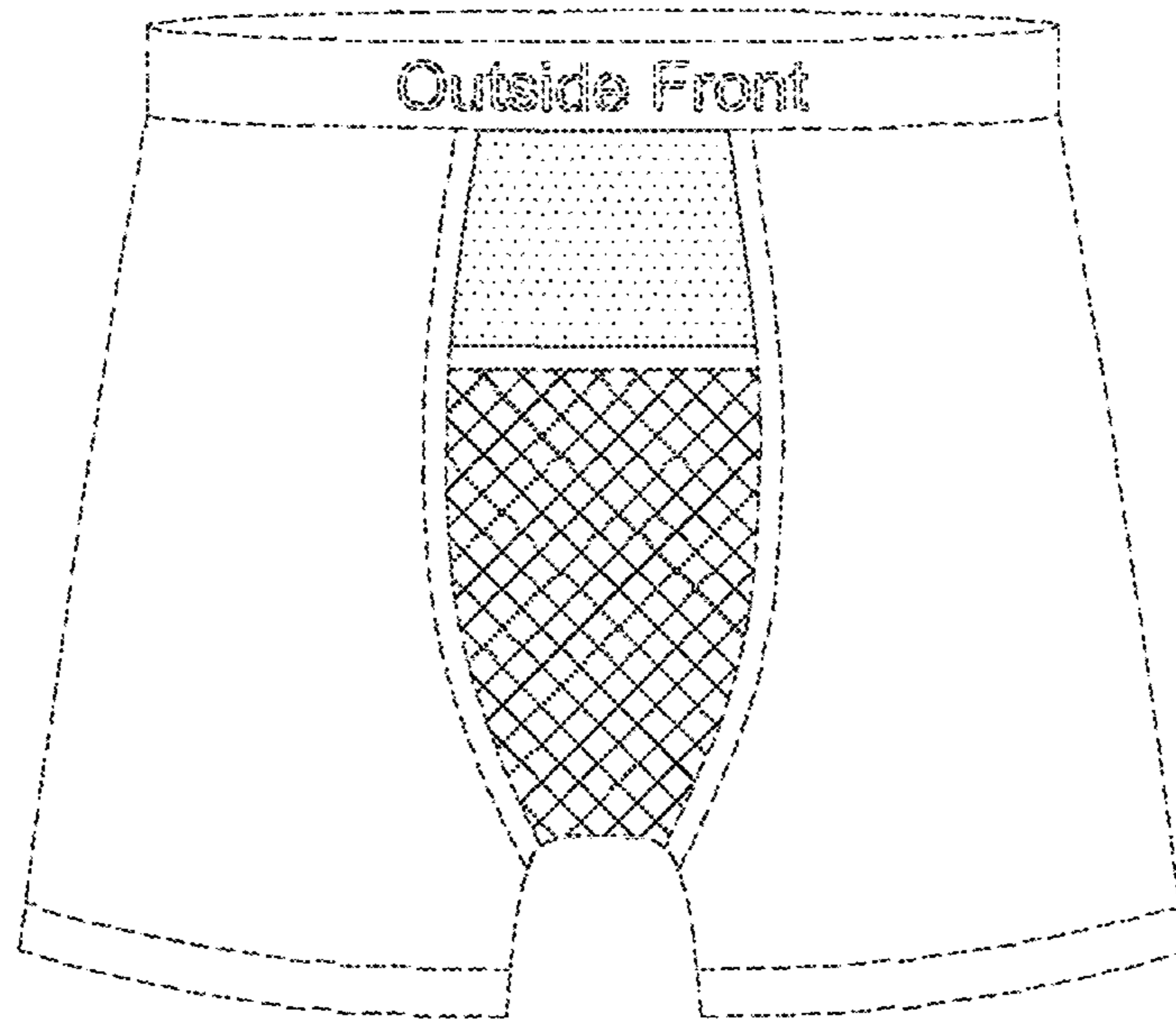
2016/0374403 A1\* 12/2016 Sklar ..... A41B 9/02  
2/404  
2019/0387809 A1\* 12/2019 Perry ..... A41B 17/00  
2022/0079251 A1\* 3/2022 Calamia ..... A41B 9/14  
2022/0117317 A1\* 4/2022 Rivers ..... A41B 9/04

OTHER PUBLICATIONS

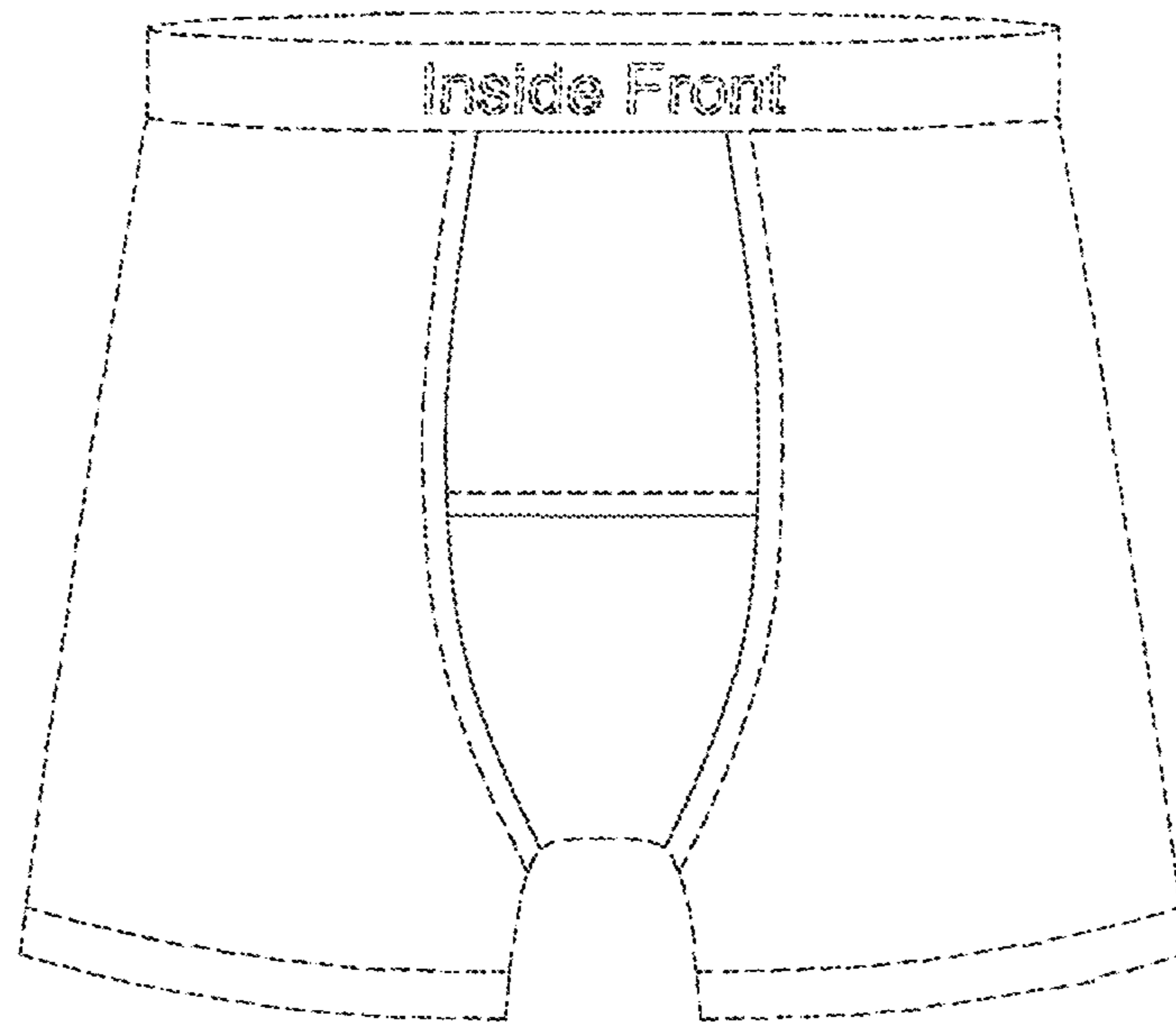
IWEMEK Mens Mesh Sheer Boxer Briefs, posted Jun. 20, 2017 [online], (retrieved May 31, 2022). Retrieved from the internet, <https://www.amazon.com/IWEMEK-Underwear-Transparent-Breathable-Underpants/dp/B07352QWRG> (Year: 2017).\*

Men's Dual Pouch Underwear, reviewed as early as May 17, 2020 [online], (retrieved May 31, 2022). Retrieved from the internet, <https://frundies.com/products/mens-dual-pouch-underwear> (Year: 2020).\*

\* cited by examiner



**FIG. 1**



**FIG. 2**

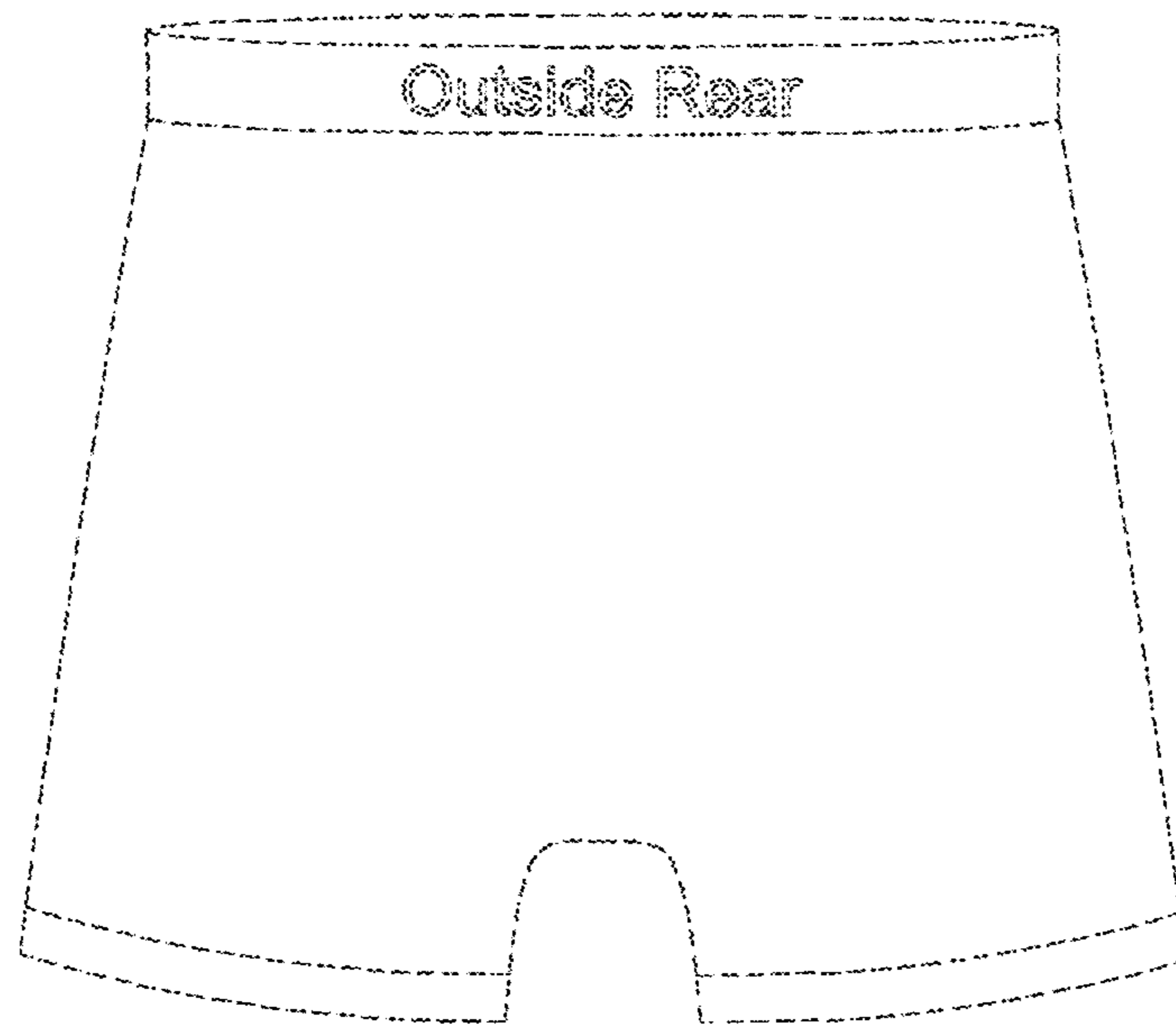


FIG. 3

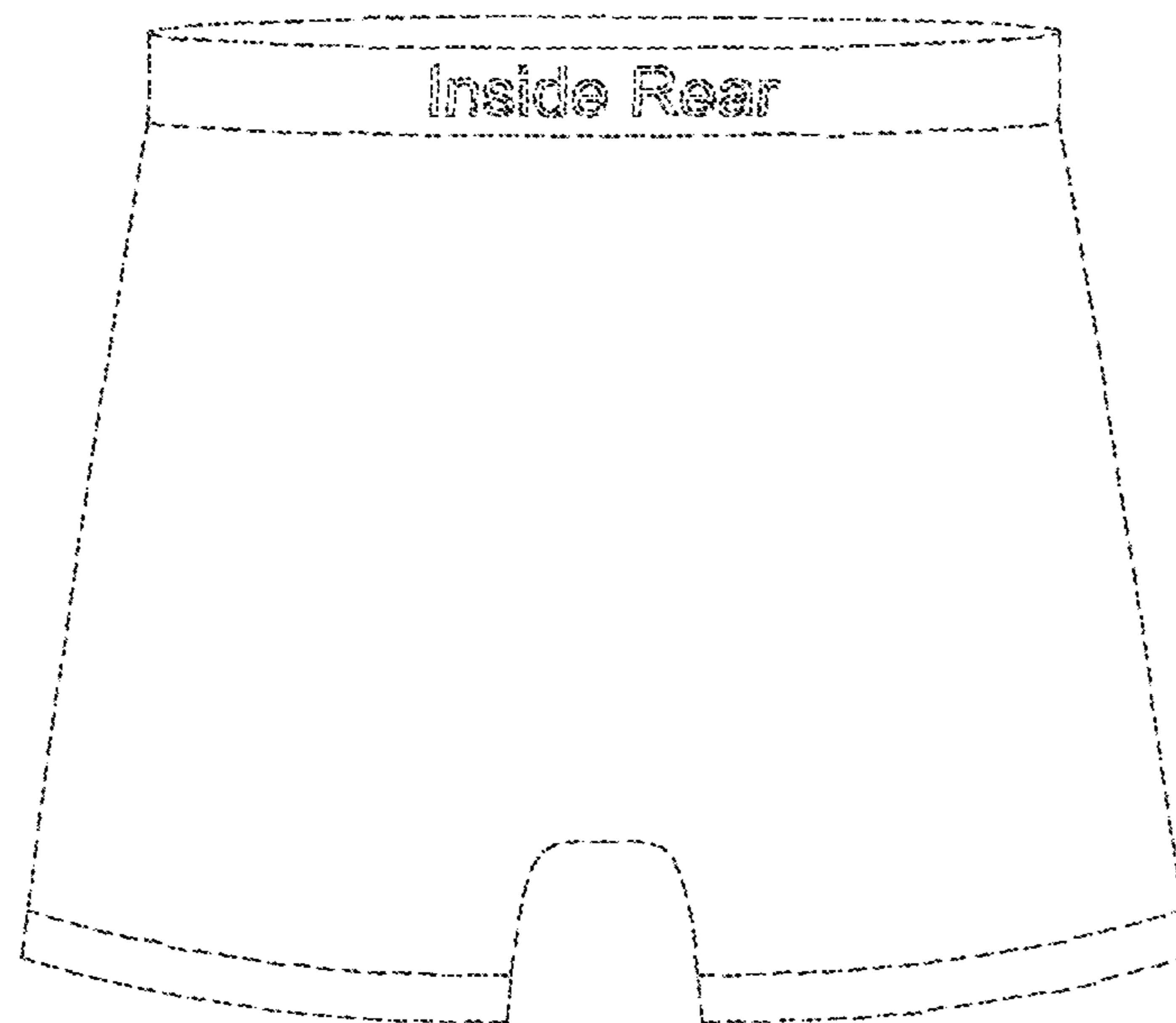


FIG. 4

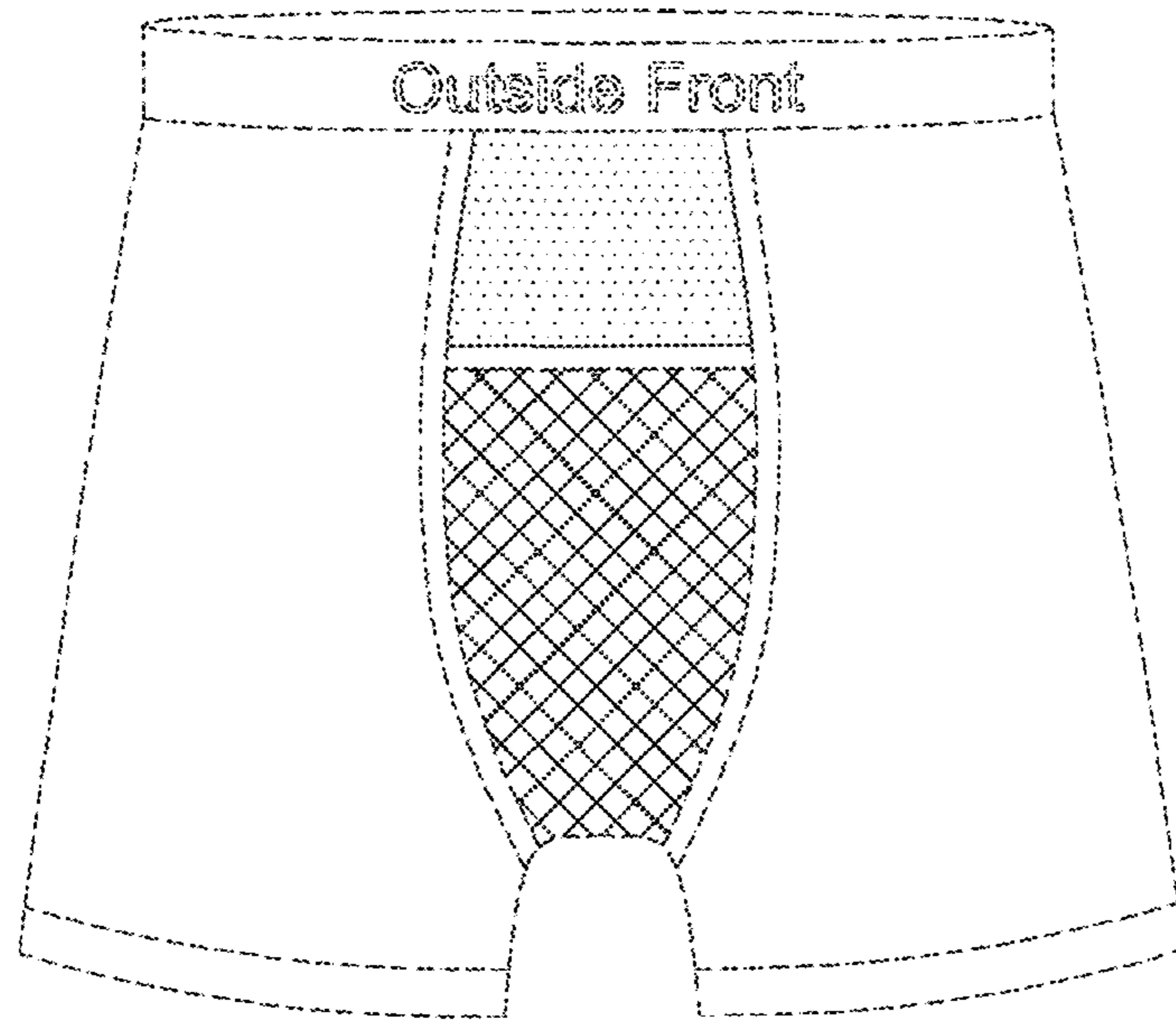


FIG. 5

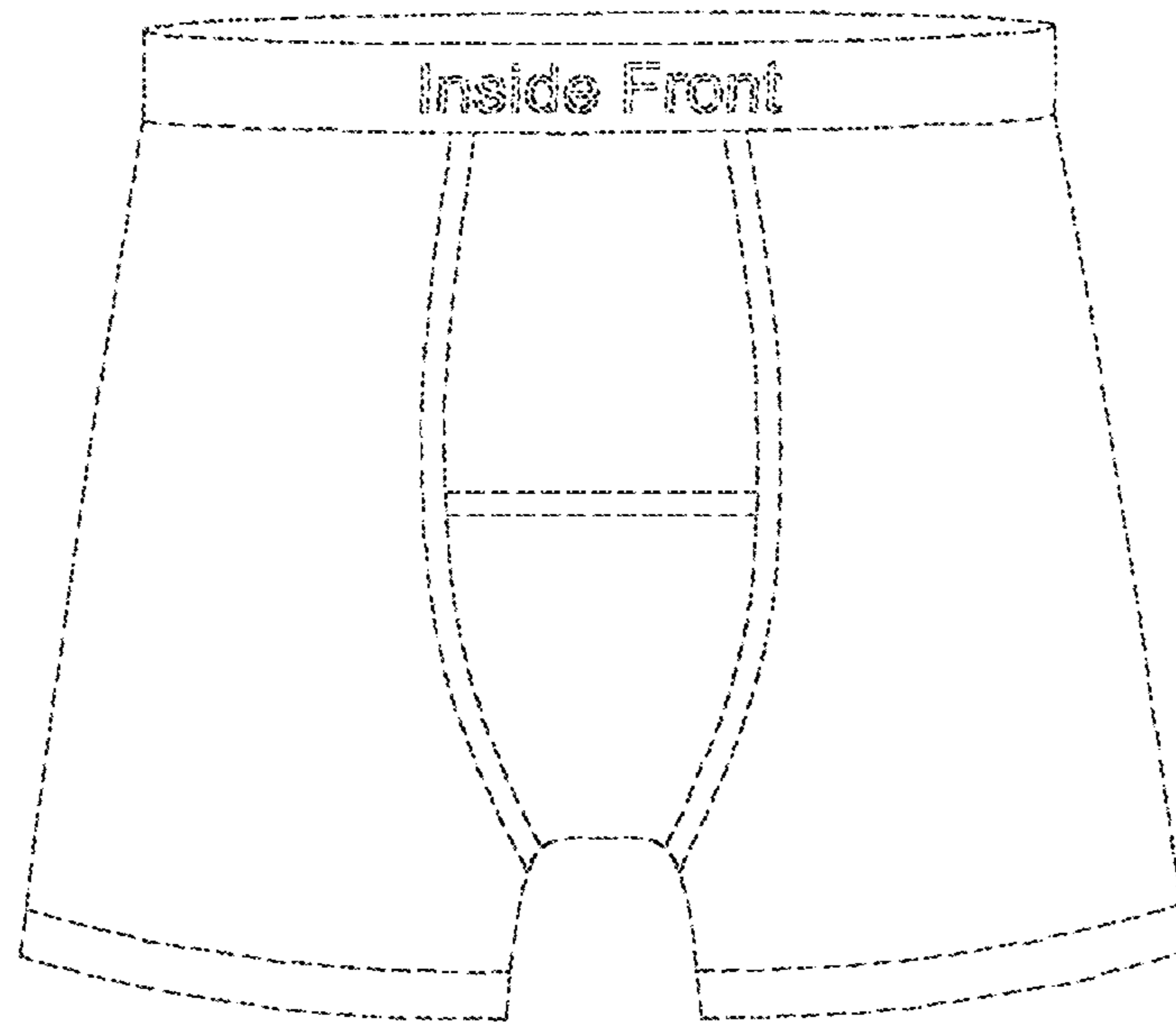


FIG. 6



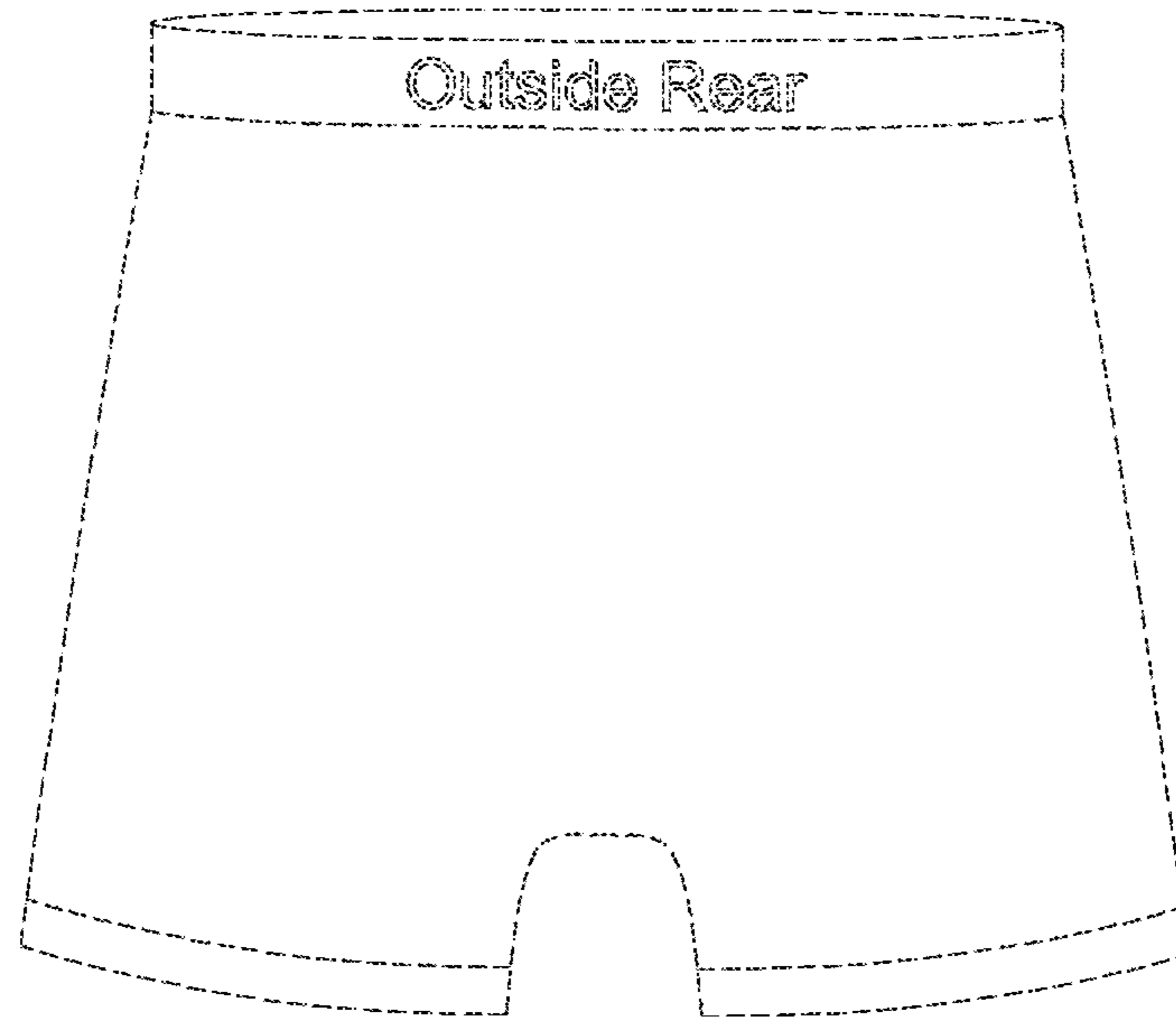


FIG. 7

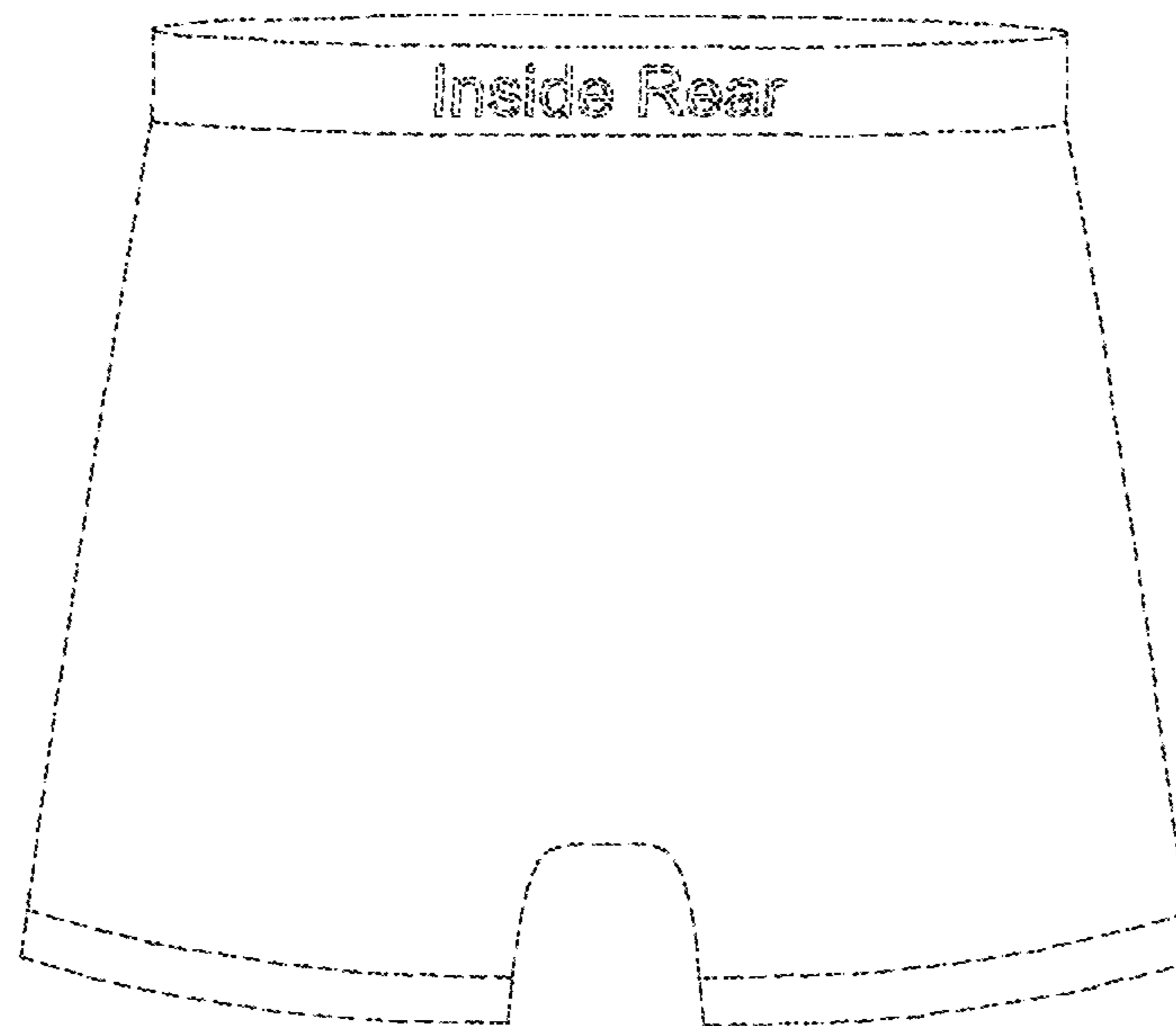


FIG. 8