



US00D966649S

(12) **United States Design Patent**
Brucker et al.

(10) **Patent No.:** **US D966,649 S**

(45) **Date of Patent:** **** Oct. 18, 2022**

- (54) **BRA**
- (71) Applicant: **NIKE, Inc.**, Beaverton, OR (US)
- (72) Inventors: **Greta Brucker**, Portland, OR (US);
Lisa Mechanic, Portland, OR (US)
- (73) Assignee: **NIKE, Inc.**, Beaverton, OR (US)
- (**) Term: **15 Years**
- (21) Appl. No.: **29/812,655**
- (22) Filed: **Oct. 22, 2021**
- (51) **LOC (13) Cl.** **02-01**
- (52) **U.S. Cl.**
USPC **D2/706; D2/710**
- (58) **Field of Classification Search**
USPC D2/700, 701, 703, 705, 706, 707, 708,
D2/709, 710, 736, 737
CPC A41C 3/00; A41C 3/0057; A41C 3/10;
A41D 7/00
See application file for complete search history.

(56) **References Cited**

U.S. PATENT DOCUMENTS

D775,781 S	1/2017	Lee et al.	
D786,530 S	5/2017	Lee et al.	
D791,432 S	7/2017	Lee	
D801,628 S	11/2017	Staub	
D816,942 S *	5/2018	Holmes	D2/706
D821,700 S *	7/2018	Flower	D2/706
D822,945 S	7/2018	Staub	
D830,037 S	10/2018	Staub	
D835,882 S	12/2018	Robertson	
D839,535 S *	2/2019	Flower	D2/706
D839,536 S *	2/2019	Witek	D2/706
D842,583 S *	3/2019	Flower	D2/708
D843,685 S *	3/2019	Rendone	D2/706
D846,832 S	4/2019	Harris et al.	

D885,710 S *	6/2020	Yaremenko	D2/706
D893,132 S *	8/2020	Witek	D2/706
D903,232 S *	12/2020	Wormgoor	A41C 3/005 D2/708
D917,126 S	4/2021	Castañeda	
2017/0273365 A1 *	9/2017	Muhlenfeld	A41C 3/005

OTHER PUBLICATIONS

Nike, Nike Air Max 97; Accessed on Oct. 14, 2021 from <https://www.nike.com/t/air-max-97-mens-shoes-SD3ZmW/921826-101>; 5 pages.

Nike, Nike Dri-FIT ADV Swoosh; Accessed on Oct. 14, 2021 from <https://www.nike.com/t/dri-fit-adv-swoosh-womens-medium-support-sports-bra-nKpnRT/CZ4439-010>; 4 pages.

Nike, Nike FE/NOM Flyknit; Accessed on Oct. 14, 2021 from <https://www.nike.com/t/fe-nom-flyknit-womens-high-support-non-padded-sports-bra-eoTVdQL3/AJ4047-014>; 6 pages.

(Continued)

Primary Examiner — Leanne Was-Englehart
Assistant Examiner — Yelizaveta Y Masalimova
 (74) *Attorney, Agent, or Firm* — Schwabe, Williamson & Wyatt, P.C.

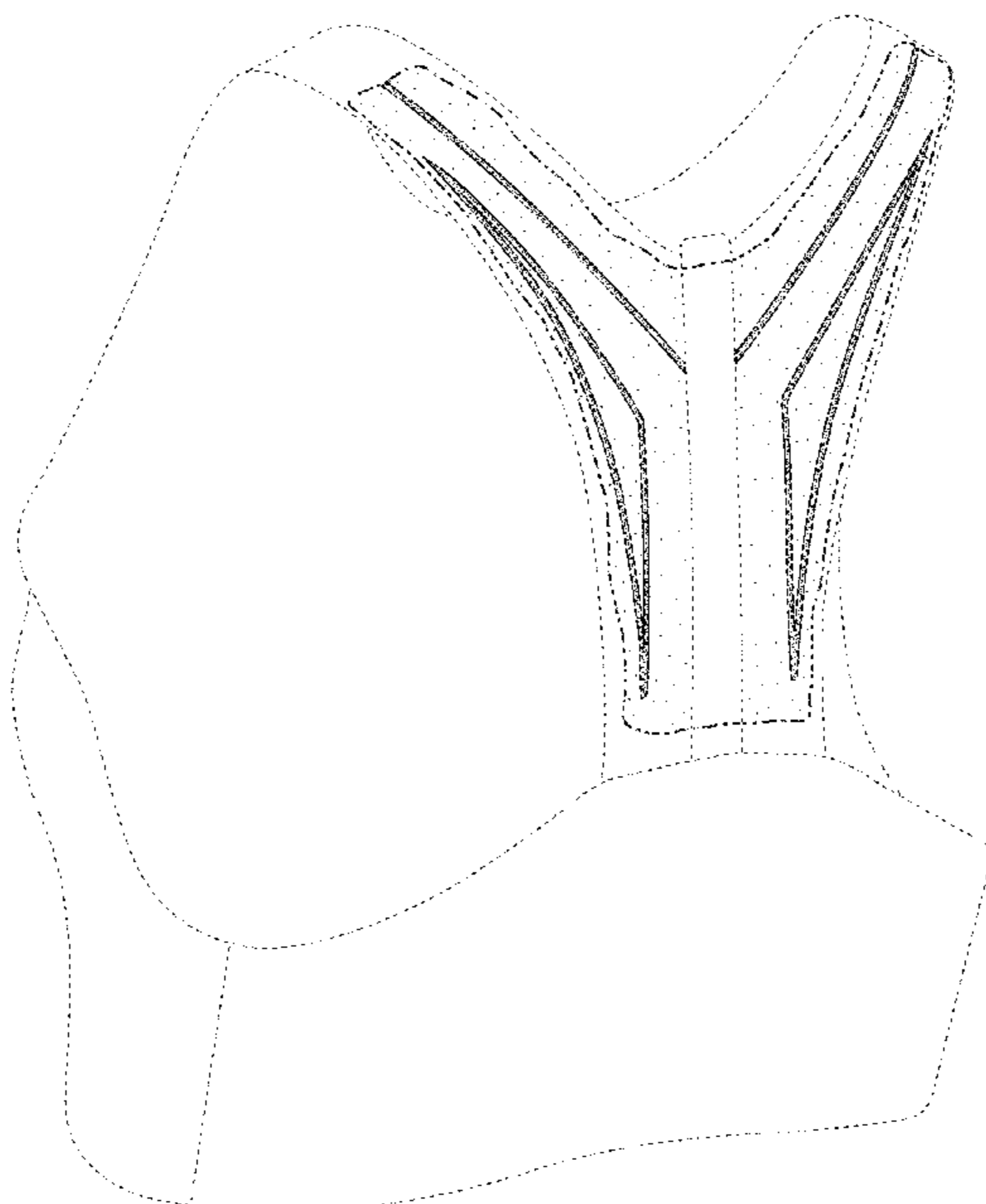
(57) **CLAIM**

We claim the ornamental design for a bra, as shown and described.

DESCRIPTION

FIG. 1 is a right, rear perspective view of a bra, showing our new design;
 FIG. 2 is a left, rear perspective view thereof;
 FIG. 3 is a rear view thereof; and,
 FIG. 4 is a bottom view thereof.
 The dot-dash broken line represents a boundary of the claimed design and forms no part thereof. The broken lines depicting the remainder of the bra show features that form no part of the claimed design.

1 Claim, 4 Drawing Sheets



(56)

References Cited

OTHER PUBLICATIONS

Nike; Nike Swoosh UltraBreathe; Accessed on Jul. 7, 2021 from <https://www.nike.com/t/swoosh-ultrabreathe-womens-medium-support-padded-sports-bra-nKpnRT/CZ4439-410>; 4 pages.

Brooks Running; Dare Strappy Run Bra; Accessed on Sep. 2, 2021 from https://www.brooksrunning.com/en_us/dare-strappy-running-bra; 5 pages.

Nike; Nike Indy UltraBreathe; Accessed on Sep. 2, 2021 from <https://www.nike.com/t/indy-ultrabreathe-womens-light-support-padded-sports-bra-BZpR6k/CZ4441-695>; 2 pages.

Nike; Nike Swoosh Icon Clash; Accessed on Sep. 2, 2021 from <https://www.nike.com/t/swoosh-icon-clash-womens-medium-support-1-piece-pad-pocket-sports-bra-mWp7dg/DD1683-500>; 2 pages.

* cited by examiner

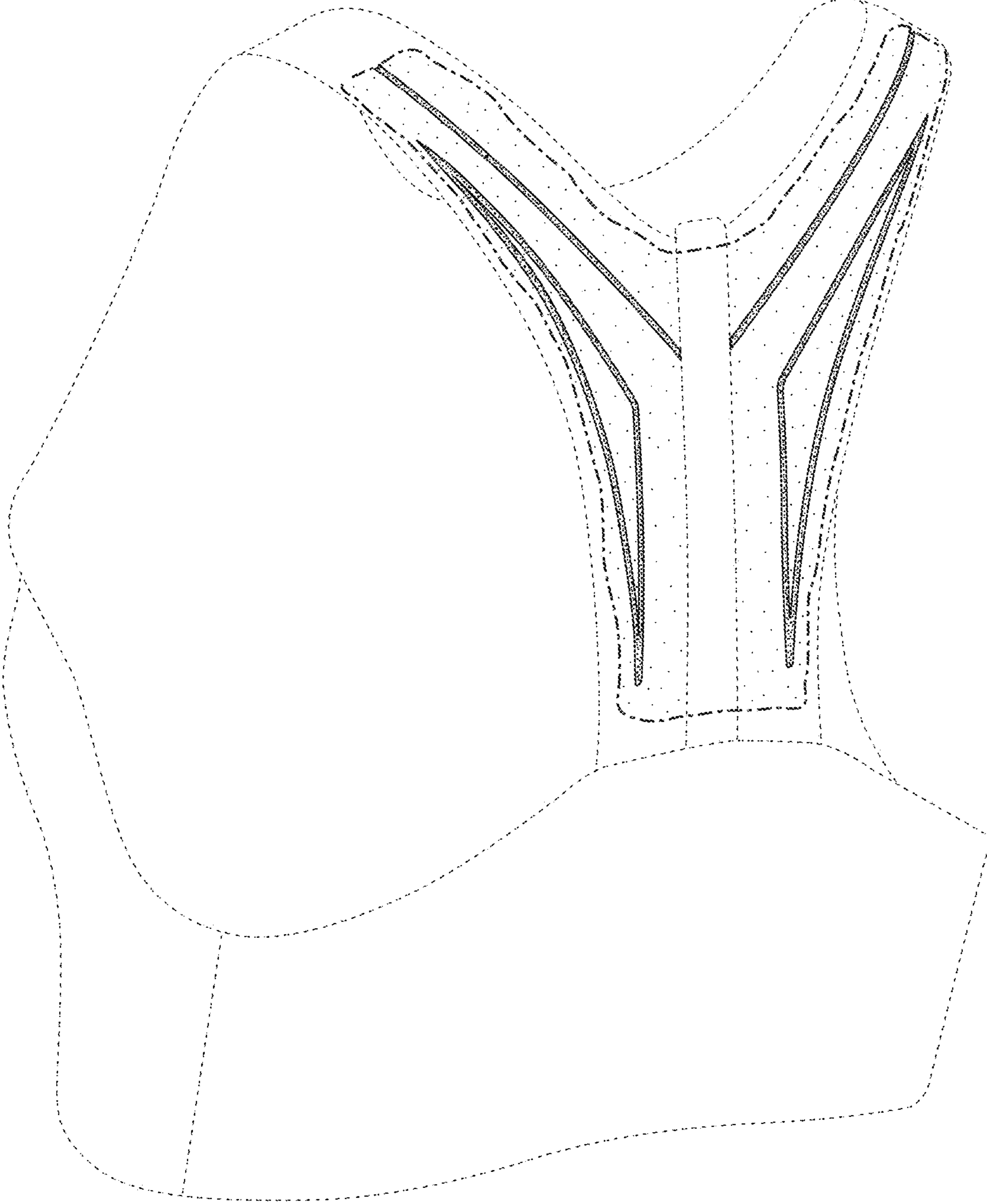


FIG. 1

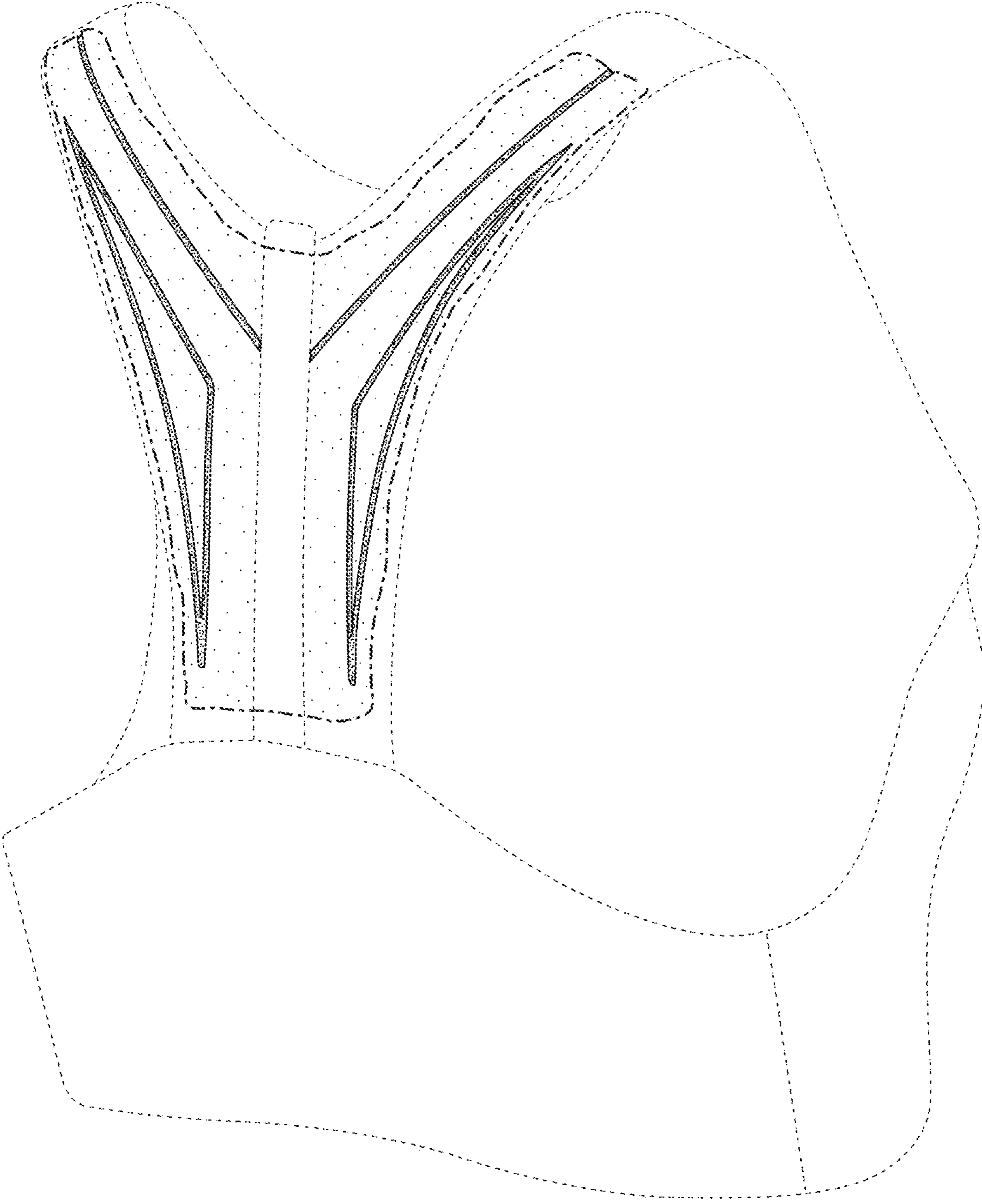


FIG. 2

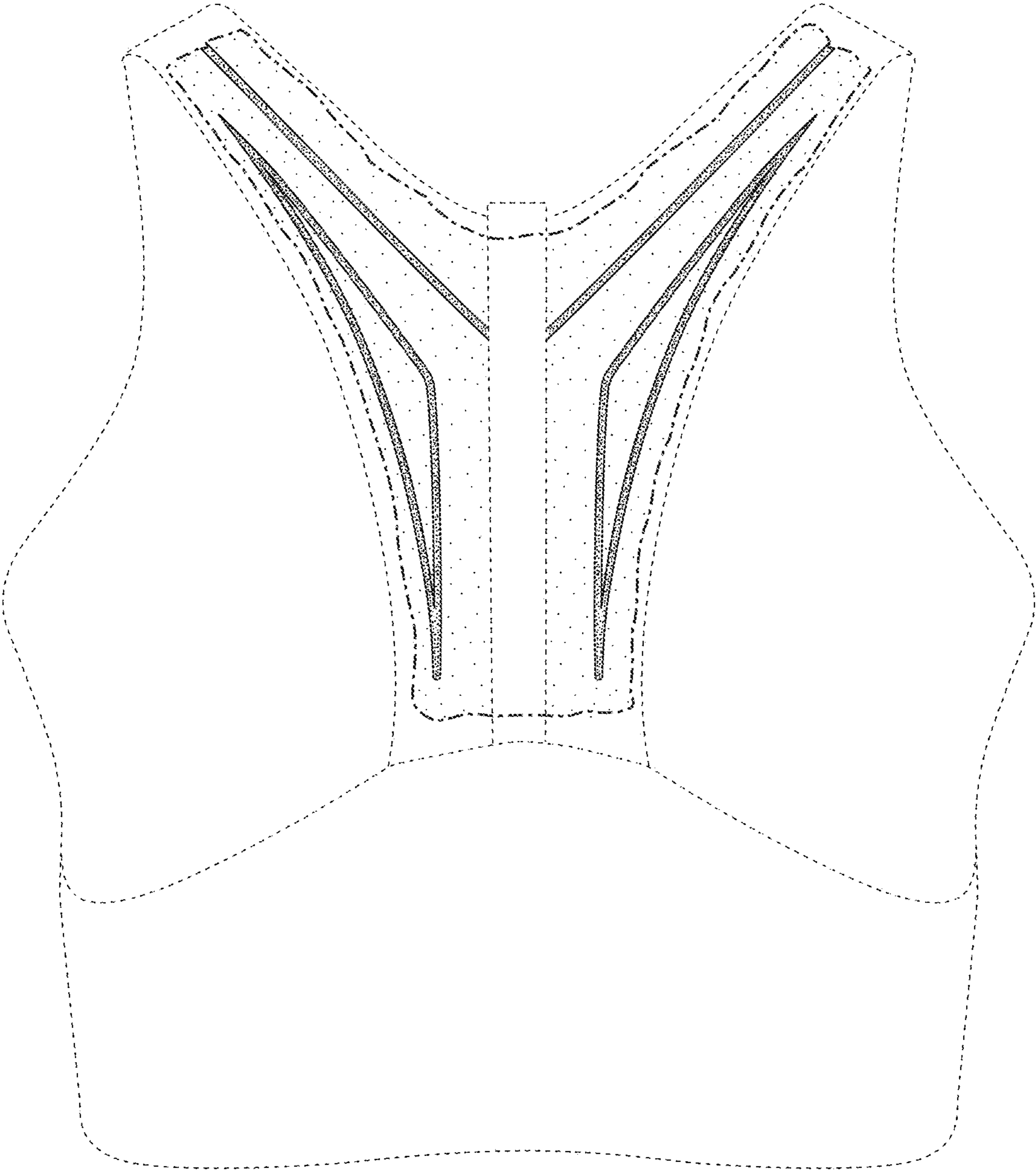


FIG. 3

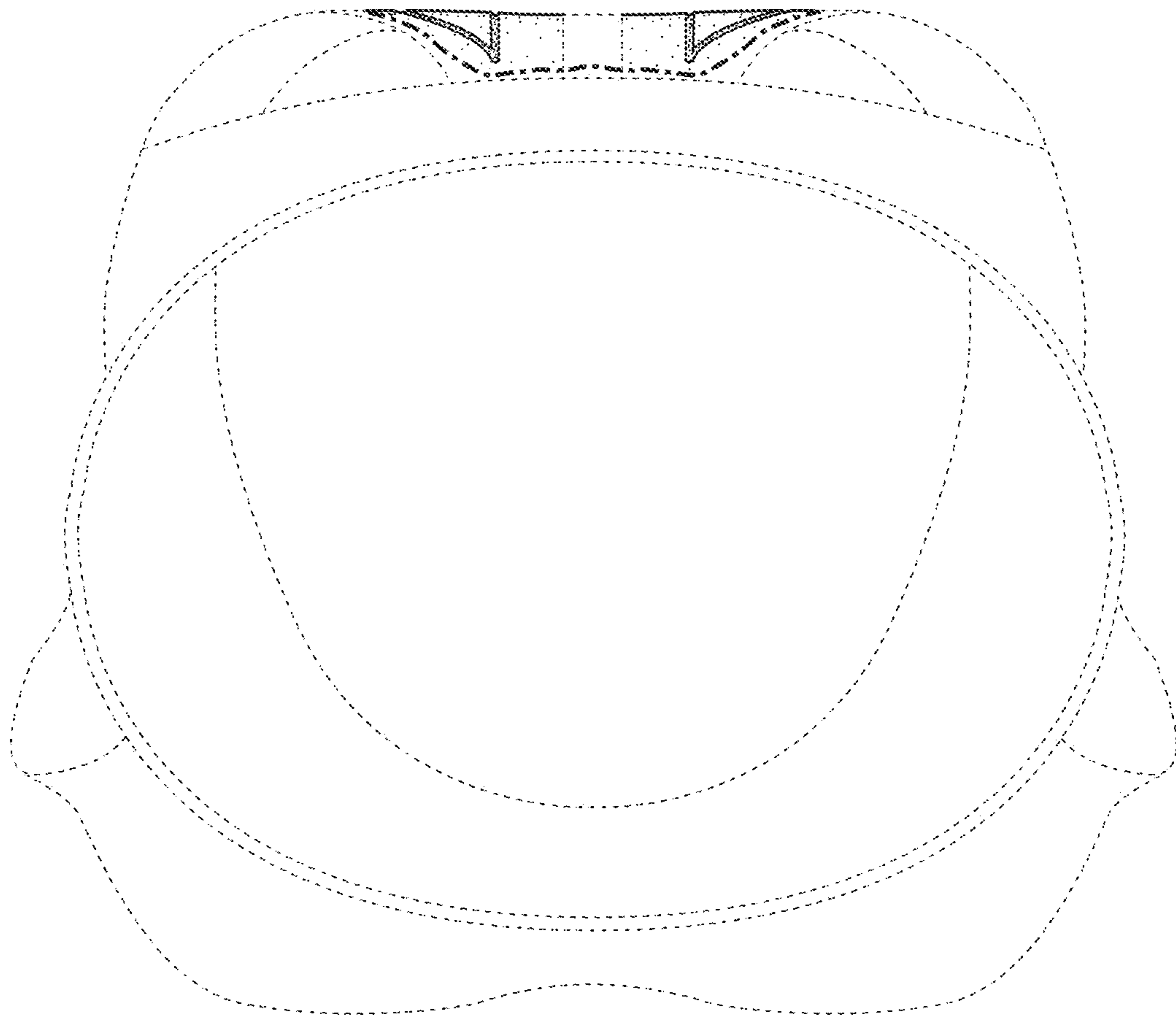


FIG. 4