

US00D966645S

(12) **United States Design Patent** (10) **Patent No.:** **US D966,645 S**
Stobar et al. (45) **Date of Patent:** **** Oct. 11, 2022**

(54) **CART**
(71) Applicant: **JS Products, Inc.**, Las Vegas, NV (US)
(72) Inventors: **James Stobar**, Las Vegas, NV (US);
James Moore, Las Vegas, NV (US)

D917,822 S * 4/2021 Matecki D34/21
D935,727 S * 11/2021 Walter D34/21
2004/0227315 A1* 11/2004 Van Lanningham, Jr.
A47B 31/00
280/47.35
2021/0354741 A1* 11/2021 Maples F16B 12/10
2022/0126899 A1* 4/2022 Moore B62B 3/02

(73) Assignee: **JS Products, Inc.**, Las Vegas, NV (US)
(**) Term: **15 Years**

(21) Appl. No.: **29/755,802**

(22) Filed: **Oct. 22, 2020**

(51) **LOC (13) Cl.** **12-02**

(52) **U.S. Cl.**
USPC **D34/21**

(58) **Field of Classification Search**
USPC D34/12-14, 17, 19, 20, 21, 23, 26, 27
CPC .. B62B 1/00; B62B 1/008; B62B 1/12; B62B
1/10; B62B 3/002; B62B 3/006; B62B
3/02; B62B 3/10; B62B 3/022; B62B
3/001; B62B 3/067; B62B 5/003; B62B
5/0083; B62B 5/005

See application file for complete search history.

(56) **References Cited**

U.S. PATENT DOCUMENTS

4,763,799 A * 8/1988 Cohn F16B 7/105
211/208
5,566,961 A * 10/1996 Snell A47B 31/00
280/47.35
D409,016 S * 5/1999 Haley D6/684
D485,410 S * 1/2004 Van Lanningham, Jr. D34/21
D493,019 S * 7/2004 Lovegrove D34/17
D578,269 S * 10/2008 Van Lanningham, Jr. D34/17
D618,419 S * 6/2010 Catron D34/12
D817,584 S * 5/2018 Phillips D34/21
10,239,547 B1 * 3/2019 Mohan B62B 3/008
D859,772 S * 9/2019 Walter D34/21

OTHER PUBLICATIONS

Global Industries Cart, announced Dec. 2020 [online], [site visited Mar. 10, 2022]. Available from internet, URL: <https://www.globalindustrial.com/p/deluxe-plastic-gray-2-shelf-tray-service-utility-44x25-5-cart-5-casters?ref=5> (Year: 2020).*

(Continued)

Primary Examiner — Cynthia Ramirez

Assistant Examiner — Tamara L Hahn

(74) *Attorney, Agent, or Firm* — Weide & Miller, Ltd.

(57) **CLAIM**

The ornamental design for a cart, as shown and described.

DESCRIPTION

FIG. 1 is a front isometric view of a cart of the present invention;

FIG. 2 is a front elevation view of the cart illustrated in FIG. 1;

FIG. 3 is a rear elevation view of the cart illustrated in FIG. 1;

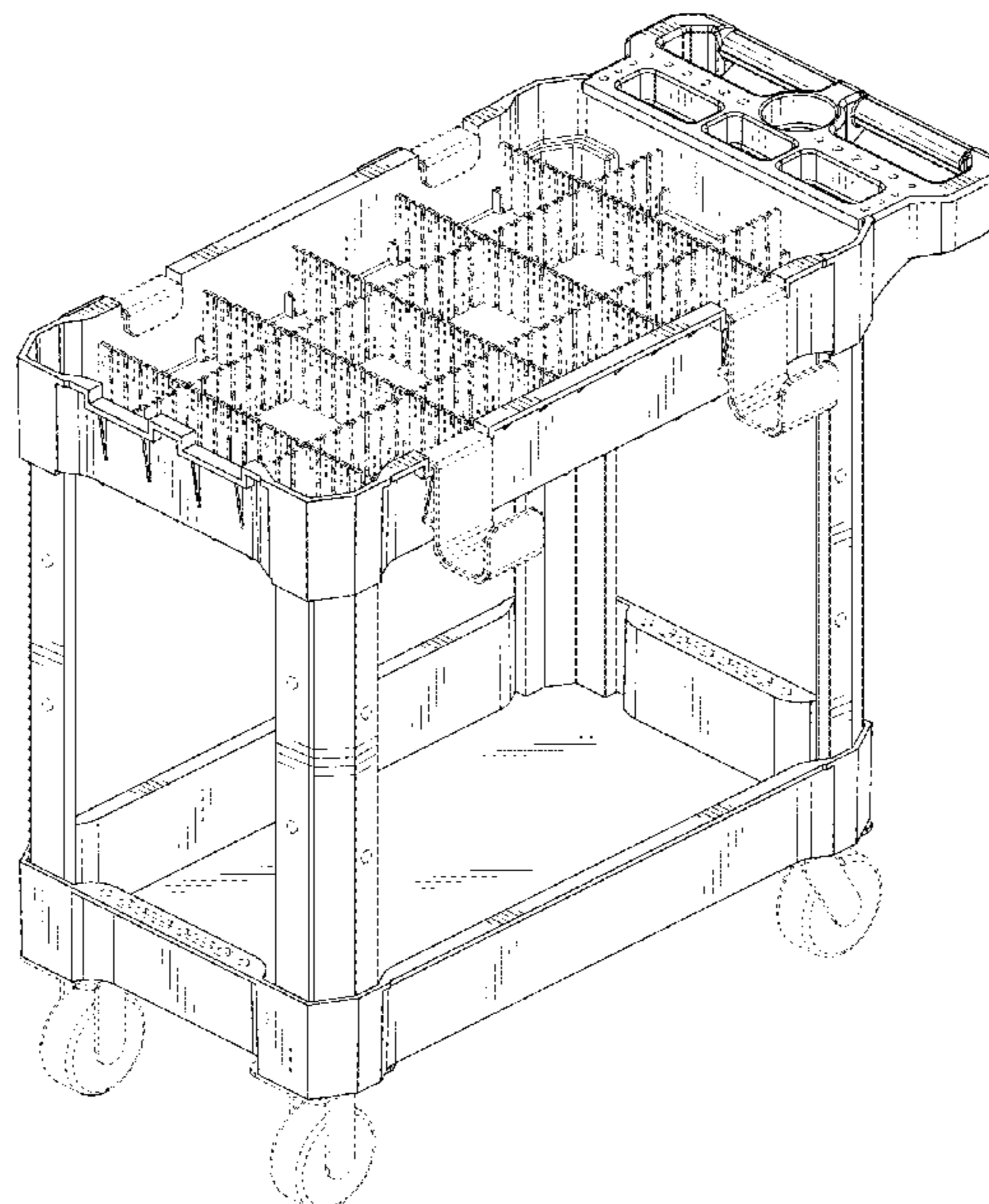
FIG. 4 is a first side view of the cart illustrated in FIG. 1;

FIG. 5 is a second side view of the cart illustrated in FIG. 1;

FIG. 6 a top plan view of the cart illustrated in FIG. 1; and, FIG. 7 is a bottom plan view of the cart illustrated in FIG. 1.

The broken lines in the drawings depict environment and form no part of the claimed design.

1 Claim, 7 Drawing Sheets



(56)

References Cited

OTHER PUBLICATIONS

Grainger Choice, "Plastic Utility Carts: Ergonomics", www.Grainger.com/choice, Copyright 2015, 1 page.
Rubbermaid Commercial Products, "Material Handling Heavy-Duty Carts & Trucks", www.rcpmaterialhandling.com, Copyright 2009, 9 pages.

* cited by examiner

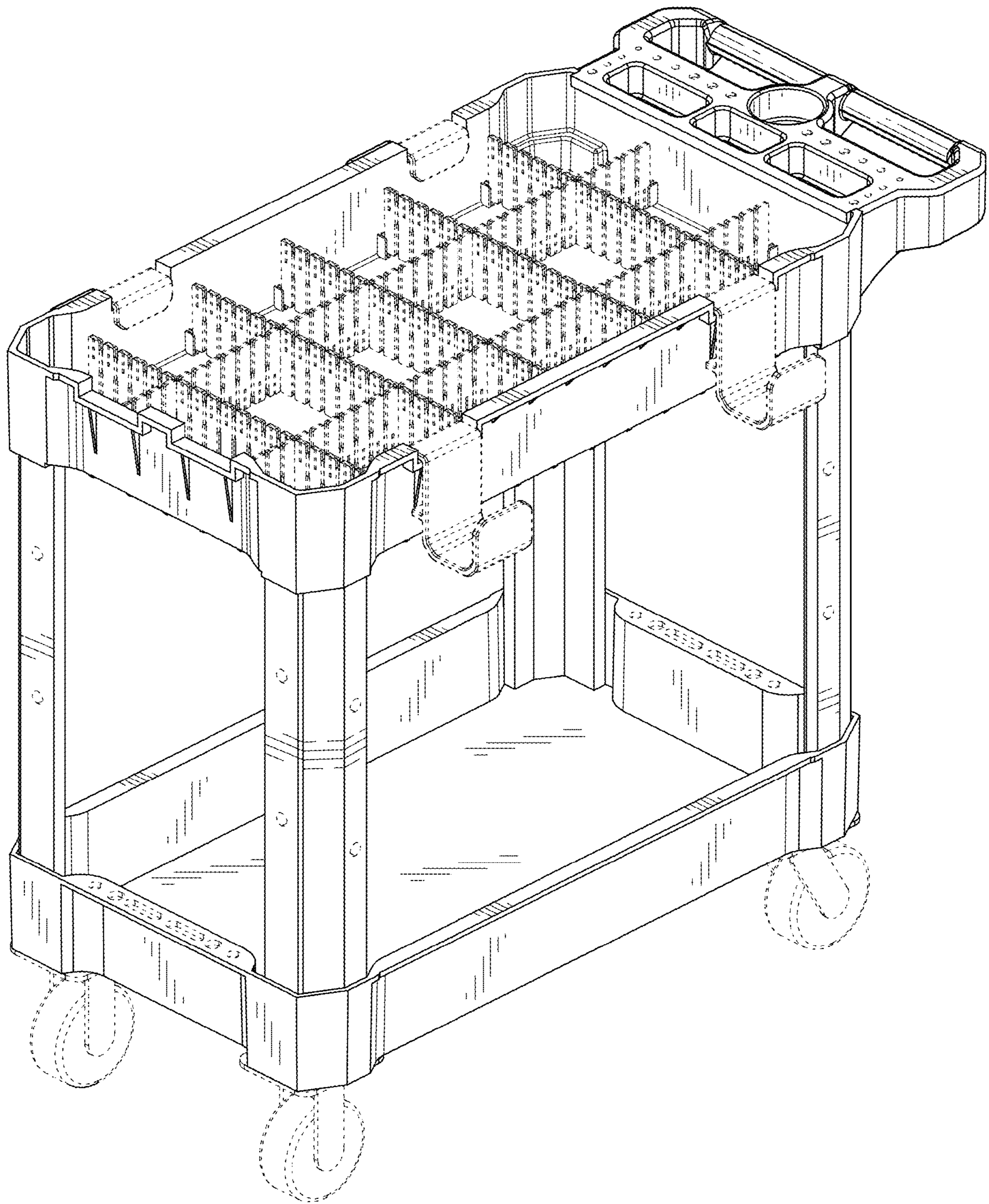


FIG. 1

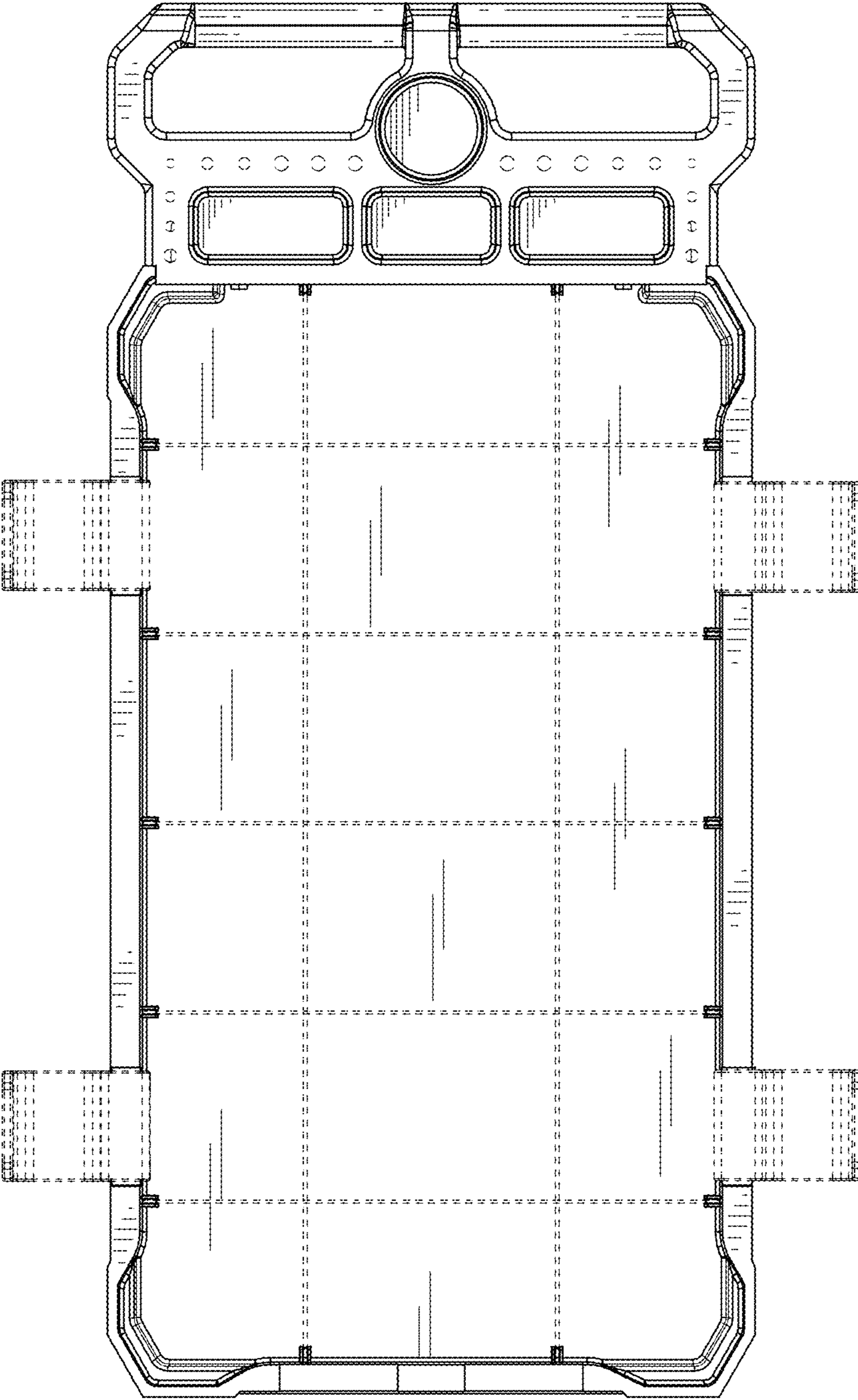


FIG. 2

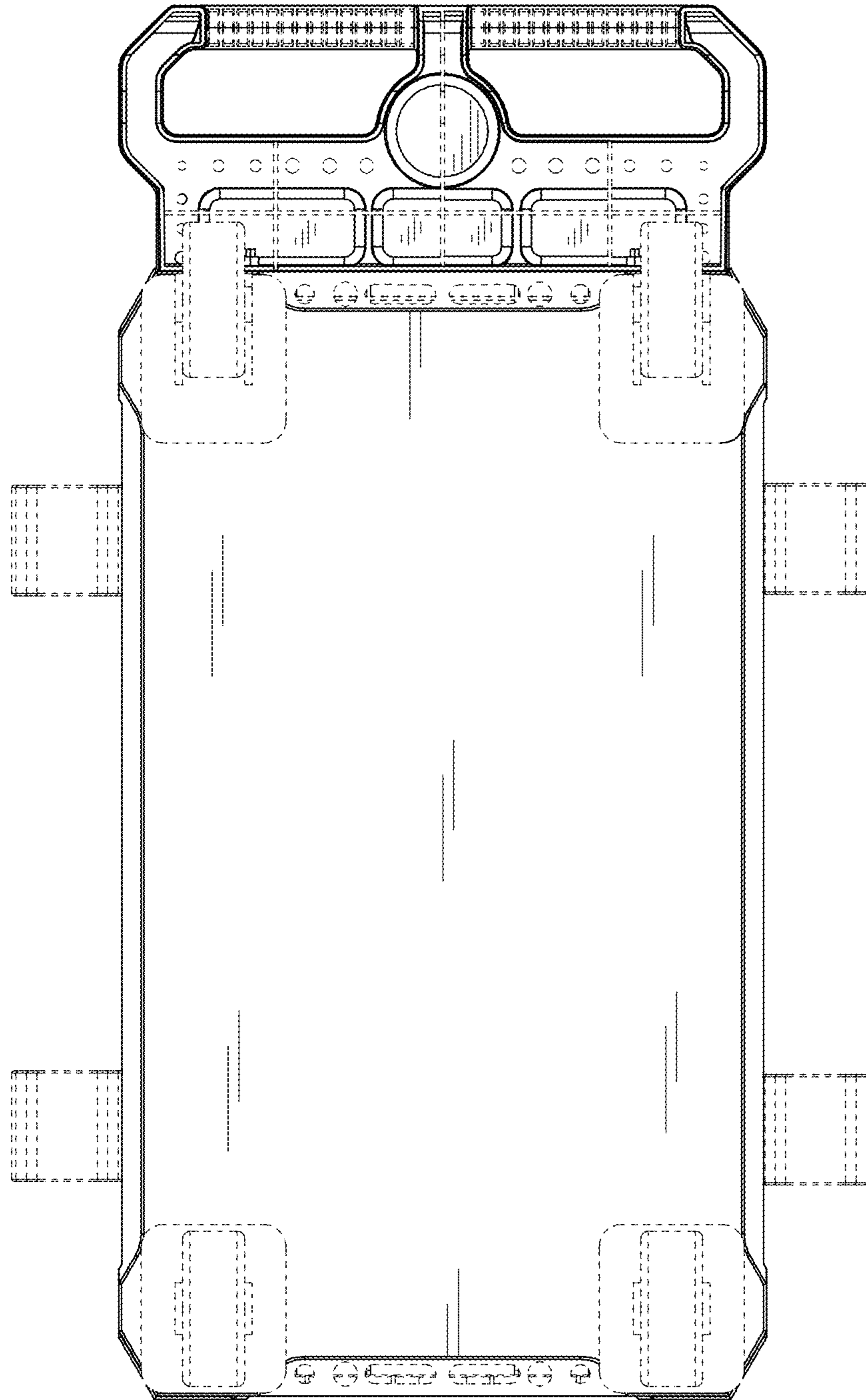


FIG. 3

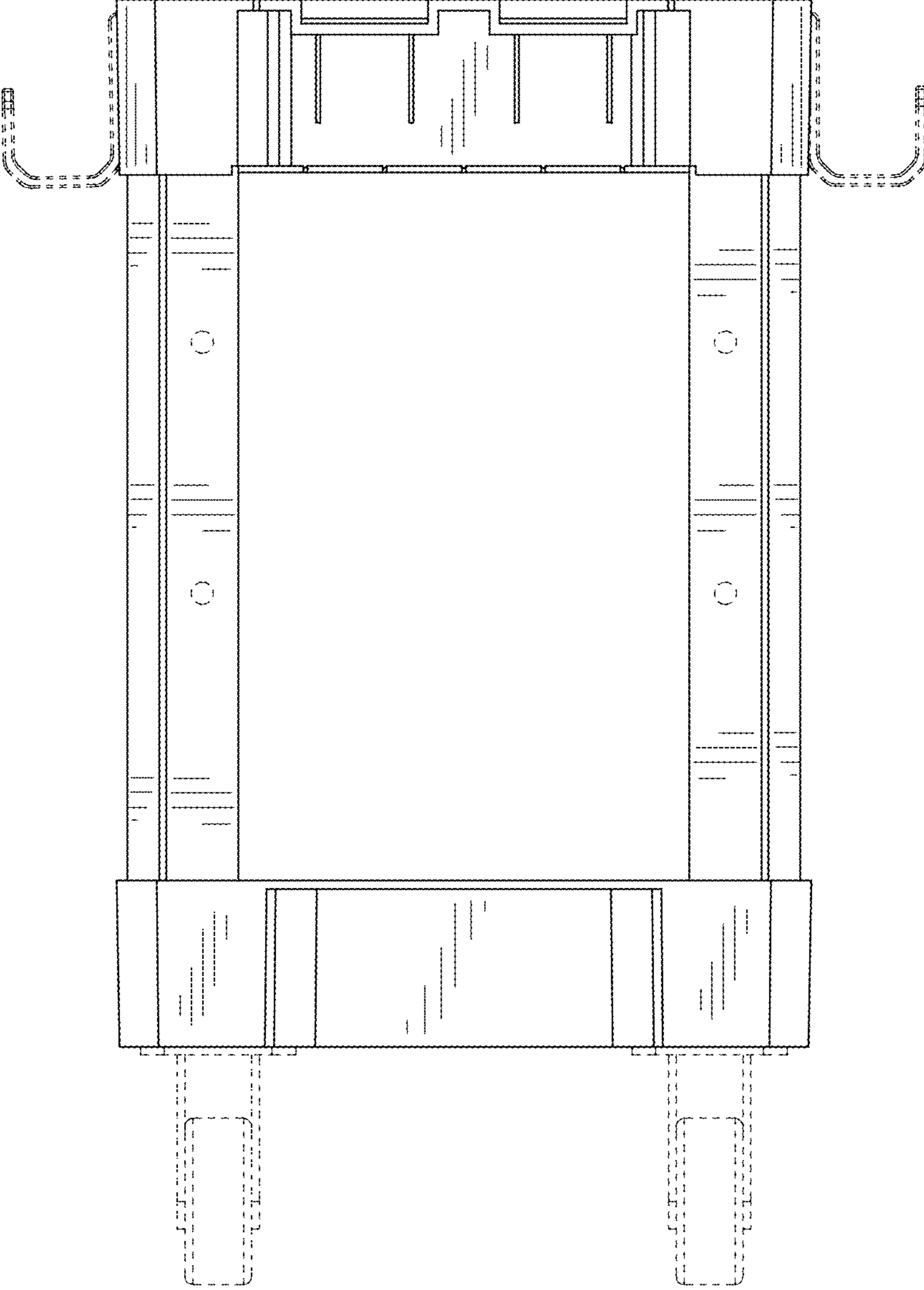


FIG. 4

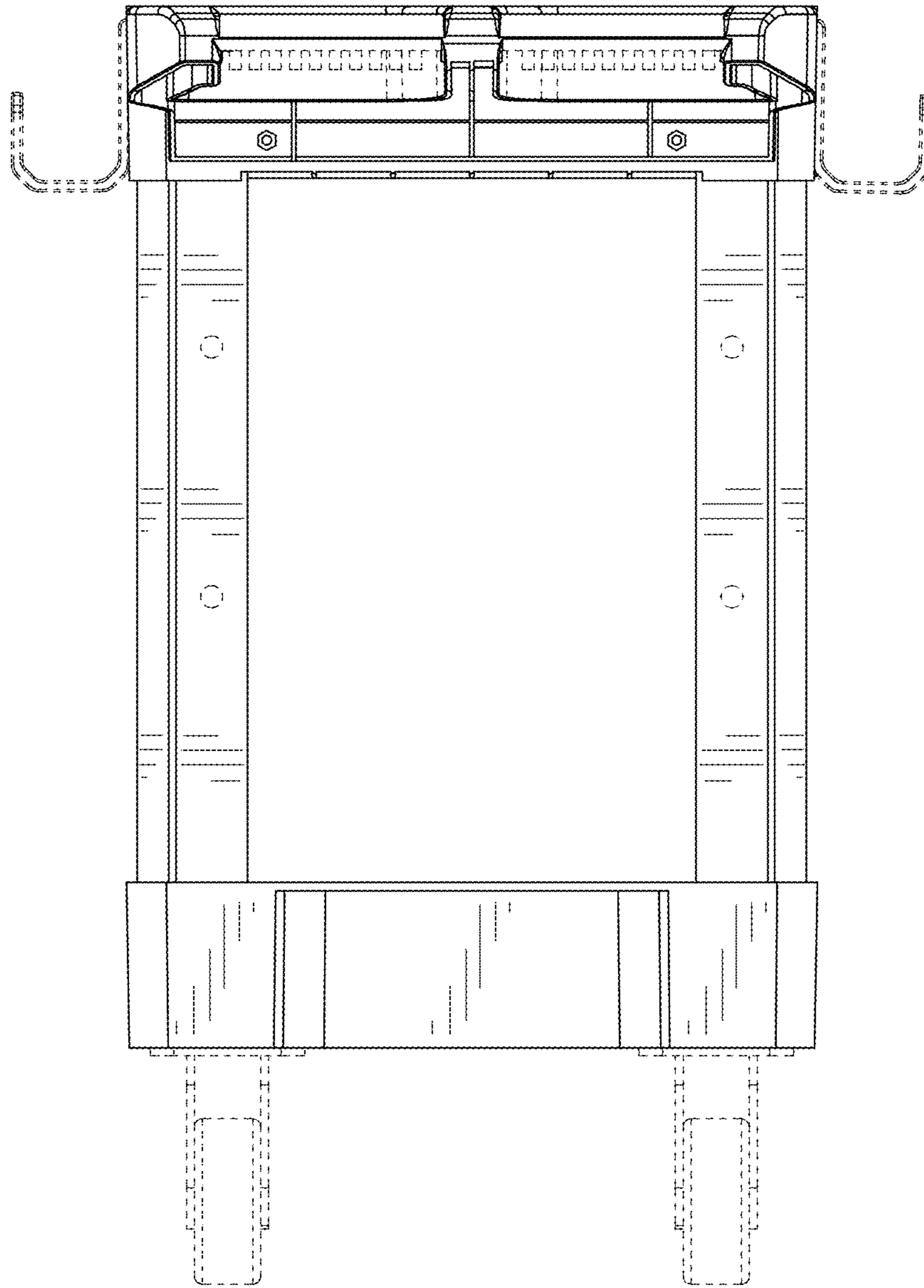


FIG. 5

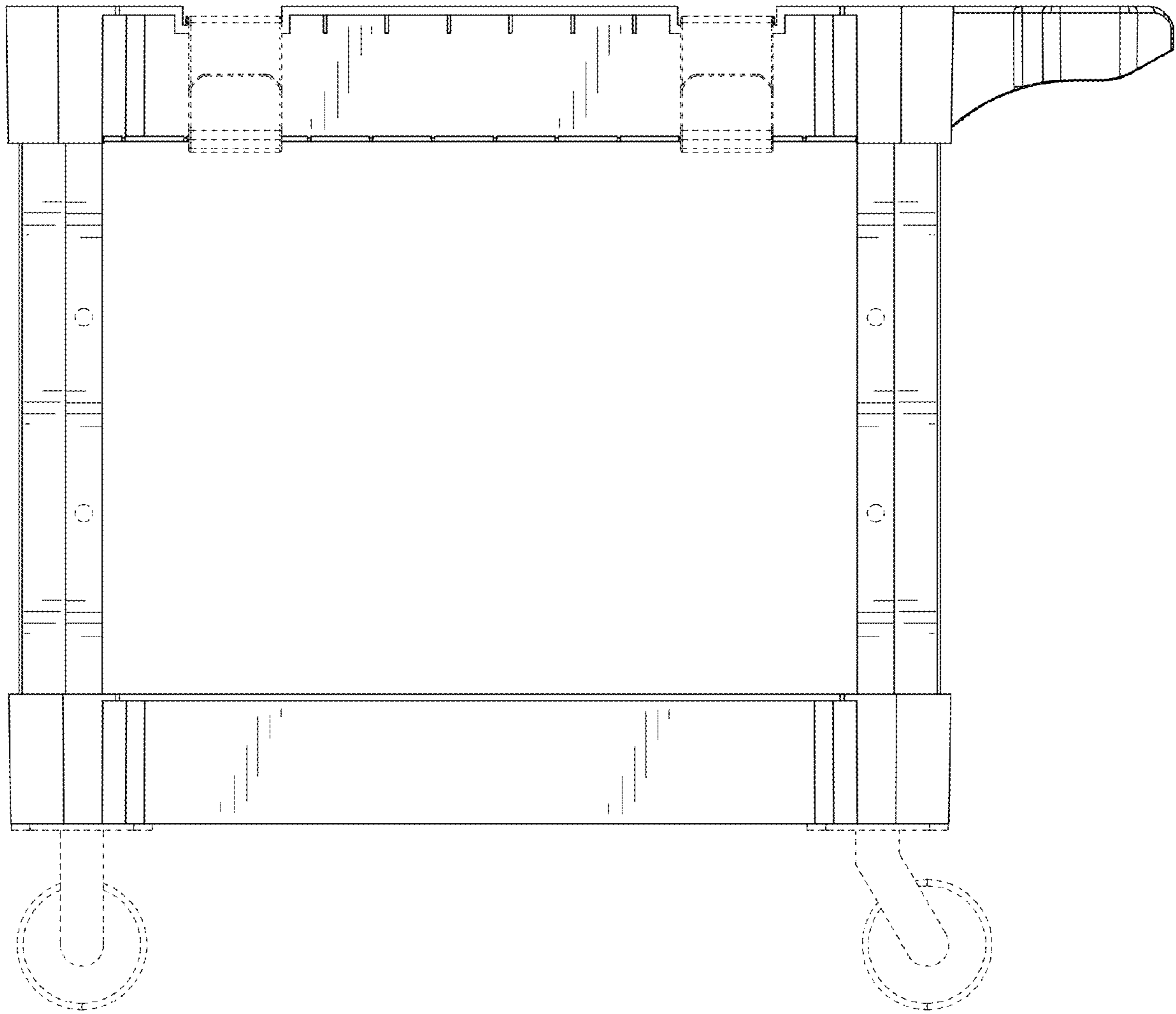


FIG. 6

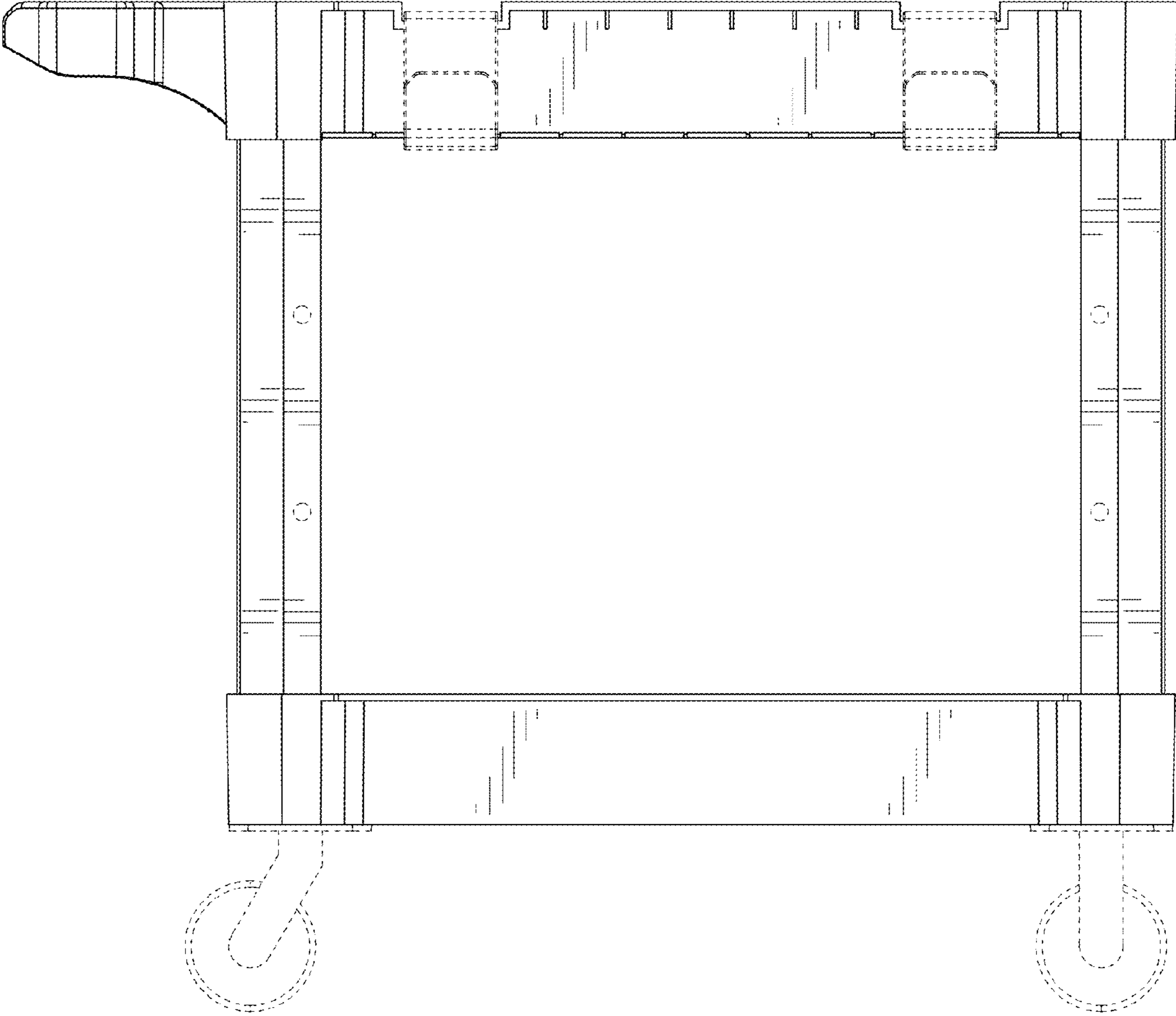


FIG. 7