



US00D966644S

(12) **United States Design Patent** (10) **Patent No.:** **US D966,644 S**
Lewis et al. (45) **Date of Patent:** **** Oct. 11, 2022**

(54) **RACK**
(71) Applicant: **Harbor Freight Tools**, Calabasas, CA (US)
(72) Inventors: **Ryan Lewis**, Newbury Park, CA (US); **Jonathan Cardenas**, Camarillo, CA (US); **Anthony Ponce**, Simi Valley, CA (US)

D365,429 S * 12/1995 Ninstil D34/12
5,626,353 A * 5/1997 Campbell A47B 31/02
280/47.35
D393,132 S * 3/1998 Baker D34/27
D423,817 S * 5/2000 Holcomb D34/21
D455,883 S * 4/2002 Clivio D34/24
6,590,184 B1 * 7/2003 Andersen B23K 7/10
414/466

(Continued)

(73) Assignee: **HARBOR FREIGHT TOOLS USA, INC.**, Calabasas, CA (US)

(**) Term: **15 Years**

(21) Appl. No.: **29/701,492**

(22) Filed: **Aug. 12, 2019**

(51) **LOC (13) Cl.** **12-02**

(52) **U.S. Cl.**
USPC **D34/17**
CPC **B23K 37/0205** (2013.01)

(58) **Field of Classification Search**
USPC D34/12-27; D15/144, 144.1, 144.2; 219/136; 414/444, 448, 466, 469, 546; 280/47.131, 47.19, 47.26, 47.27, 47.33, 280/47.34, 47.35, 79.5, 79.6, 79.7
CPC B23K 37/0205; B23K 37/0294; B23K 9/327; B62B 3/10; B62B 2202/48
See application file for complete search history.

(56) **References Cited**

U.S. PATENT DOCUMENTS

D212,747 S * 11/1968 Price D34/21
D217,714 S * 6/1970 Salsgiver D34/21
D322,501 S * 12/1991 Legault D34/24
5,160,154 A * 11/1992 Seydel B62B 1/14
D34/26
5,176,265 A * 1/1993 Bennett A47F 7/28
137/376
5,195,767 A * 3/1993 Des Roches B60P 3/1075
D34/28

OTHER PUBLICATIONS

Harbor Freight website, 350 Lbs. Capacity Welding Cart product page. <https://www.harborfreight.com/350-lbs-Capacity-Welding-Cart-56191.html>, first accessed Jul. 25, 2019.

Primary Examiner — Richard E Chilcot
(74) *Attorney, Agent, or Firm* — Beem Patent Law Firm

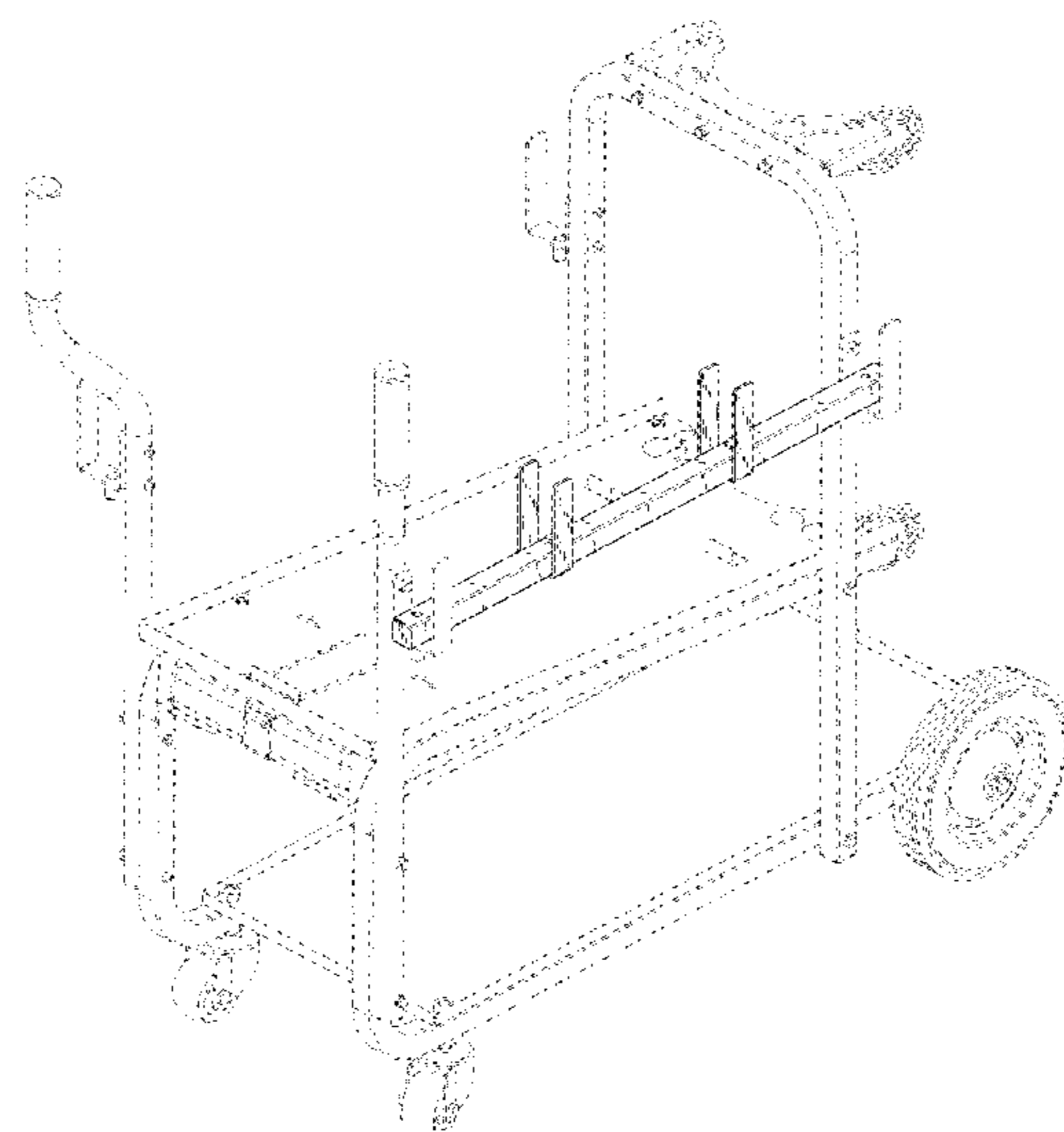
(57) **CLAIM**

The ornamental design for a rack, as shown and described.

DESCRIPTION

FIG. 1 is a top perspective view of a rack in accordance with the new design, shown in an environment of use.
FIG. 2 is a top perspective view of a rack in accordance with the new design.
FIG. 3 is a front elevation view of a rack in accordance with the new design.
FIG. 4 is a rear elevation view of a rack in accordance with the new design.
FIG. 5 is a right elevation view of a rack in accordance with the new design.
FIG. 6 is a bottom view of a rack in accordance with the new design.
FIG. 7 is a left elevation view of a rack in accordance with the new design; and,
FIG. 8 is a top view of a rack in accordance with the new design.
The broken lines in all figures depict environmental subject matter and form no part of the claimed design.

1 Claim, 2 Drawing Sheets



(56)

References Cited

U.S. PATENT DOCUMENTS

D598,622	S	*	8/2009	Wise	D34/19
D612,562	S	*	3/2010	Henderson	D34/24
D629,028	S	*	12/2010	Johnson	D15/144
D671,703	S	*	11/2012	Guasta	D34/19
D730,609	S	*	5/2015	Miller	D34/17
D734,915	S	*	7/2015	Nopper	D34/35
RE46,248	E	*	12/2016	Johnson	D15/144
RE46,313	E	*	2/2017	Johnson	D15/144
D780,396	S	*	2/2017	Matsuda	D34/17
D821,467	S	*	6/2018	Lin	D15/144
D860,573	S	*	9/2019	Matsuda	D34/17
D950,173	S	*	4/2022	Eskridge	D32/21
2021/0046964	A1	*	2/2021	Lewis	B23K 37/0205

* cited by examiner

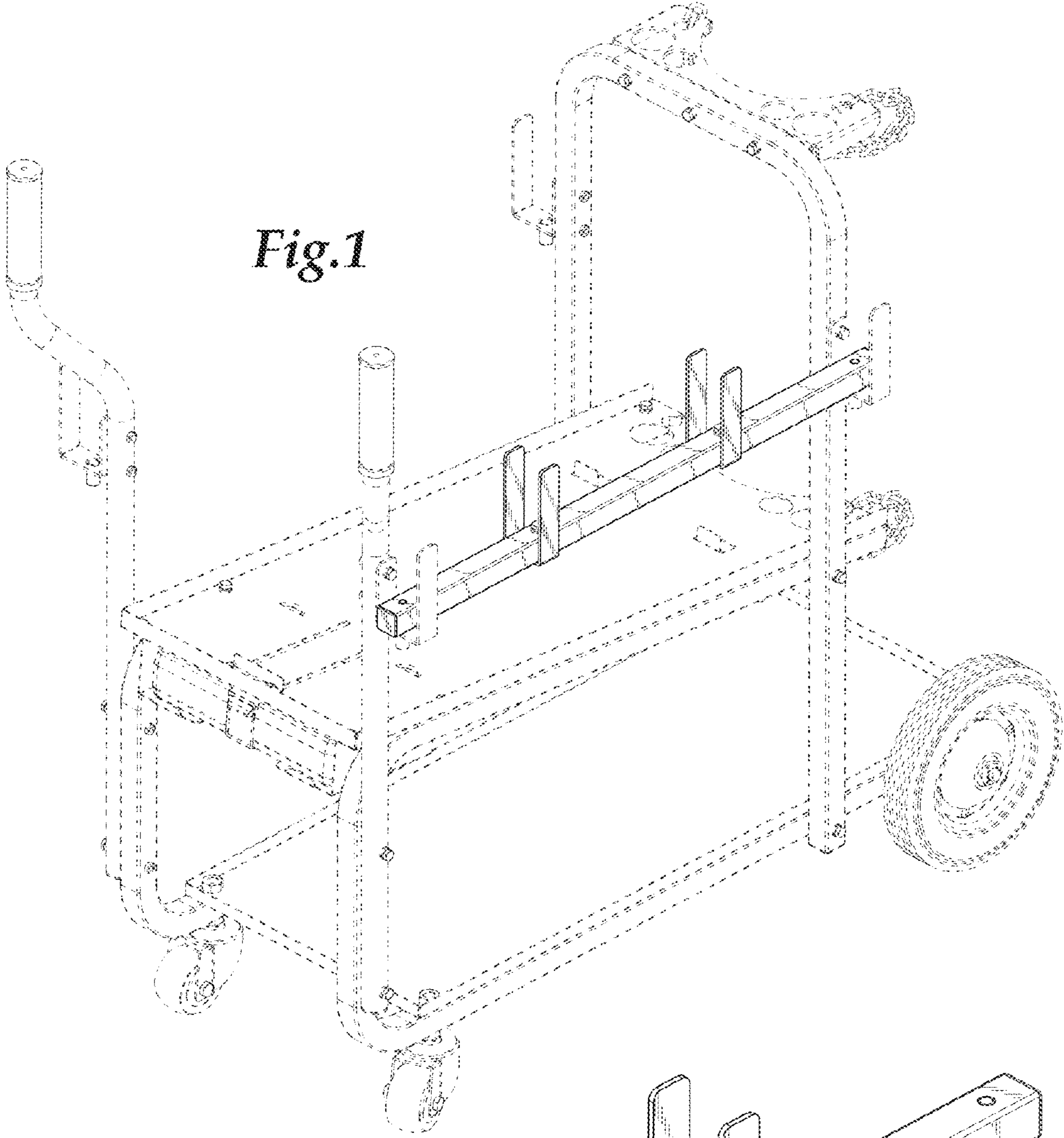


Fig.1

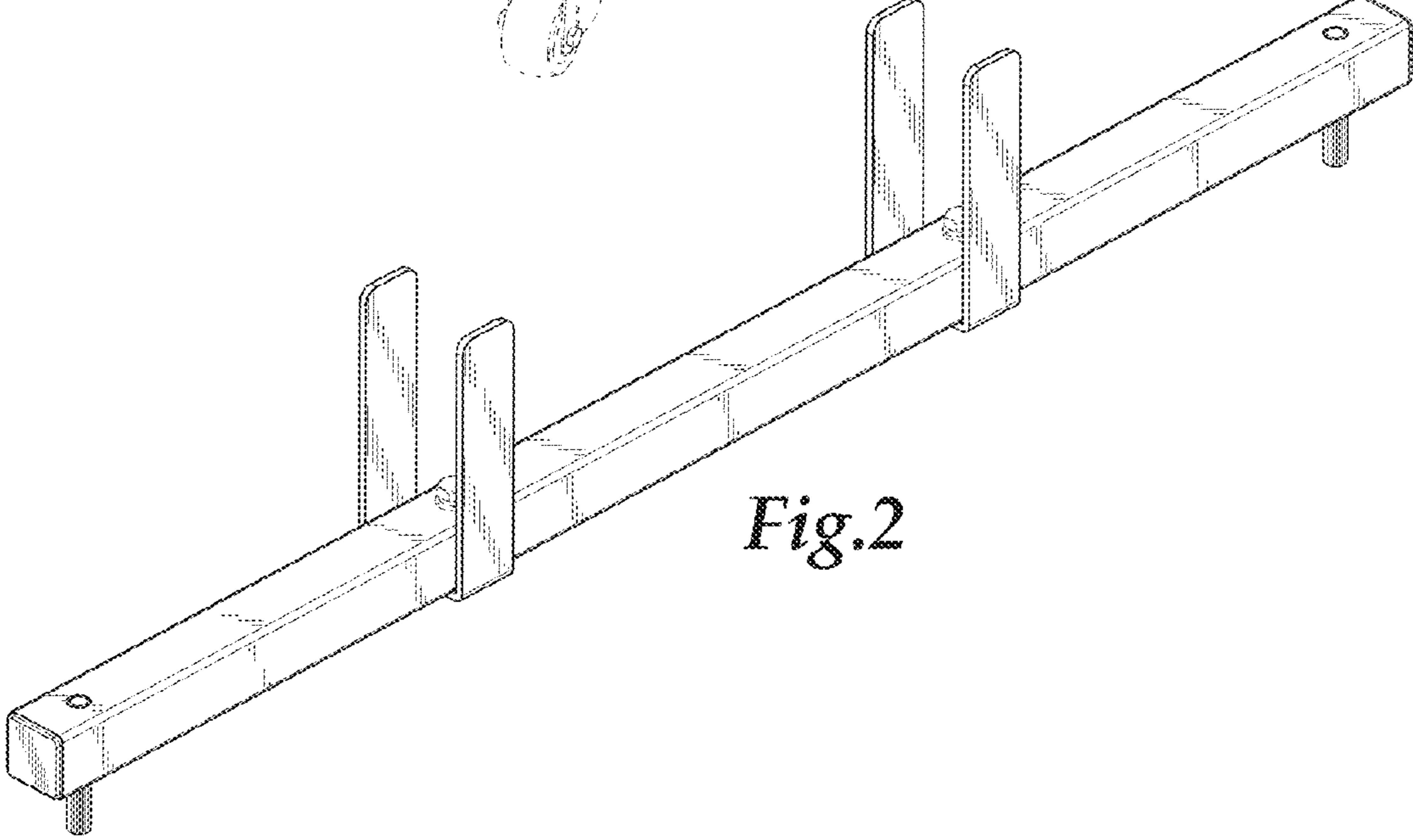


Fig.2

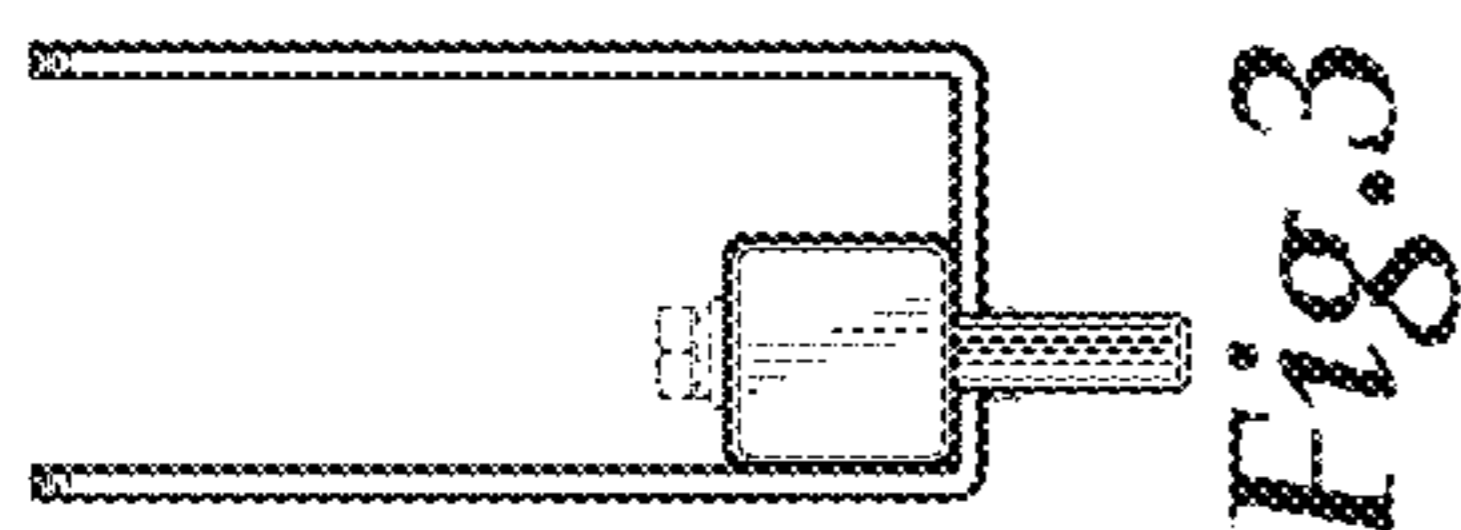


Fig. 3

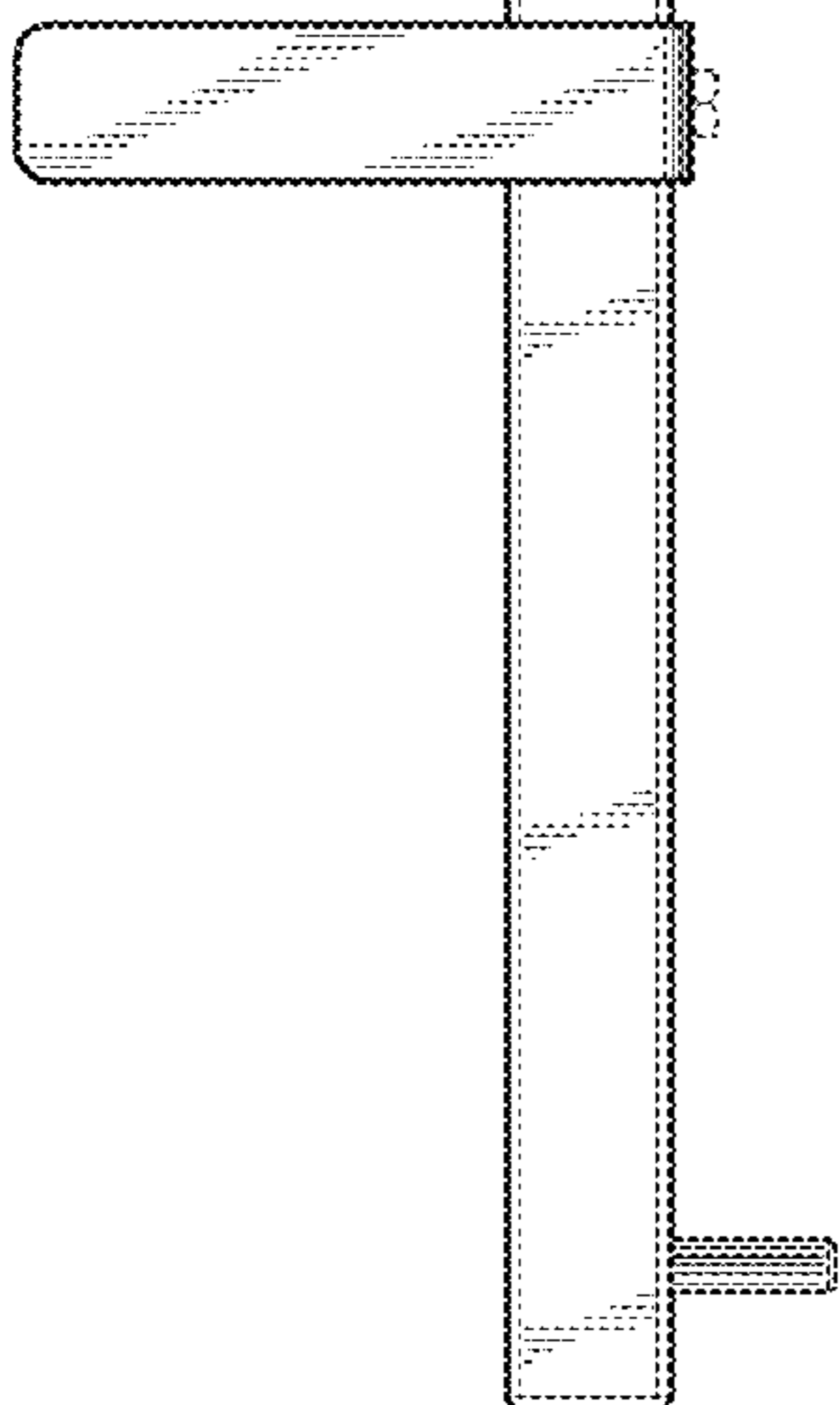


Fig. 5



Fig. 4

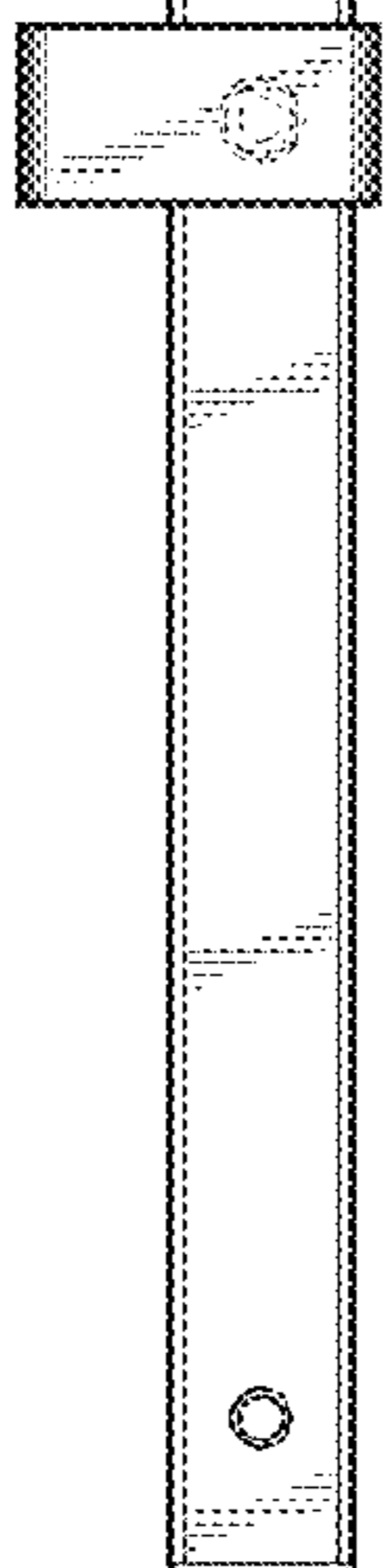


Fig. 6

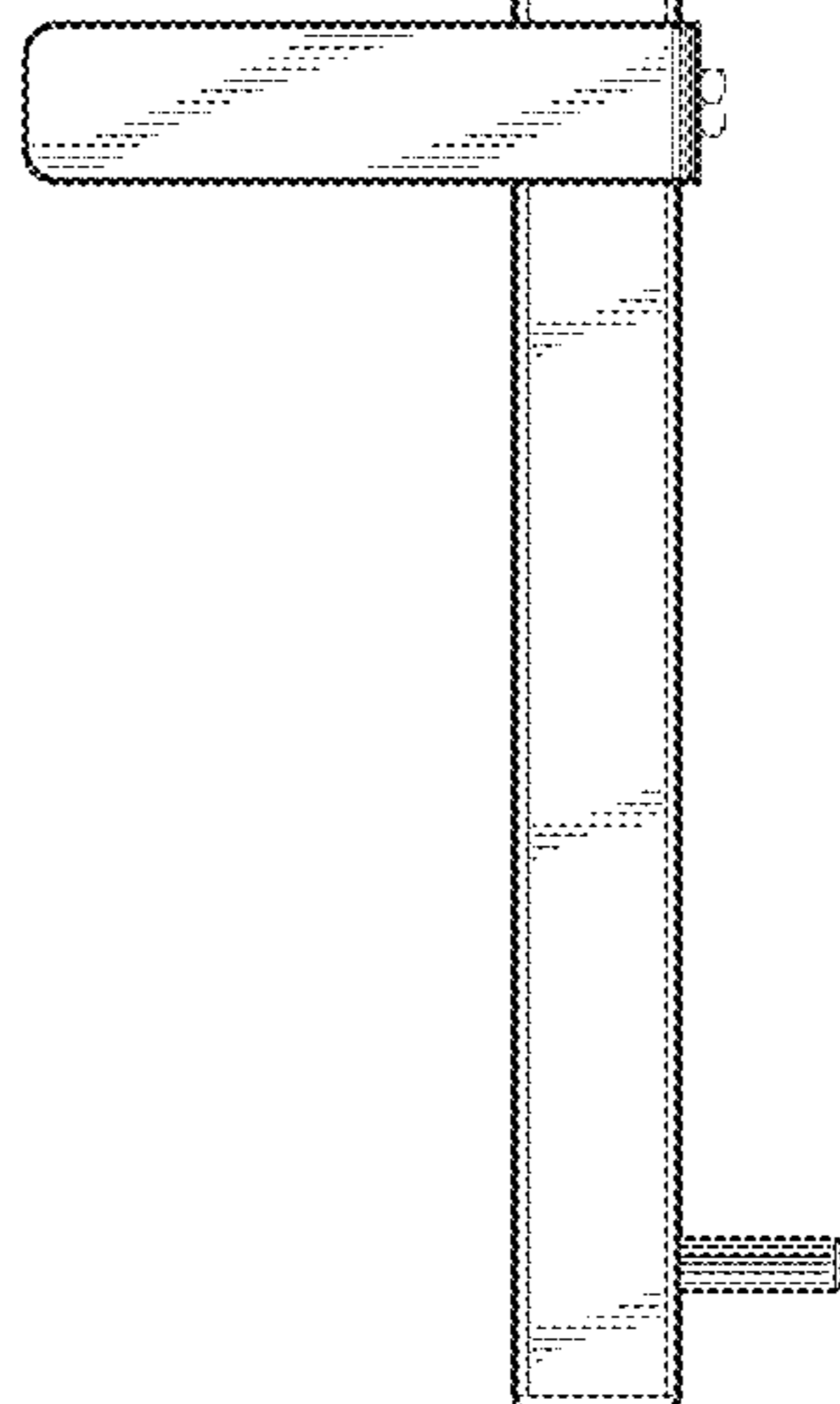
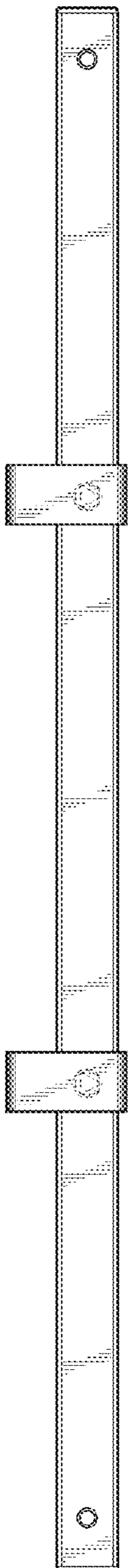


Fig. 7

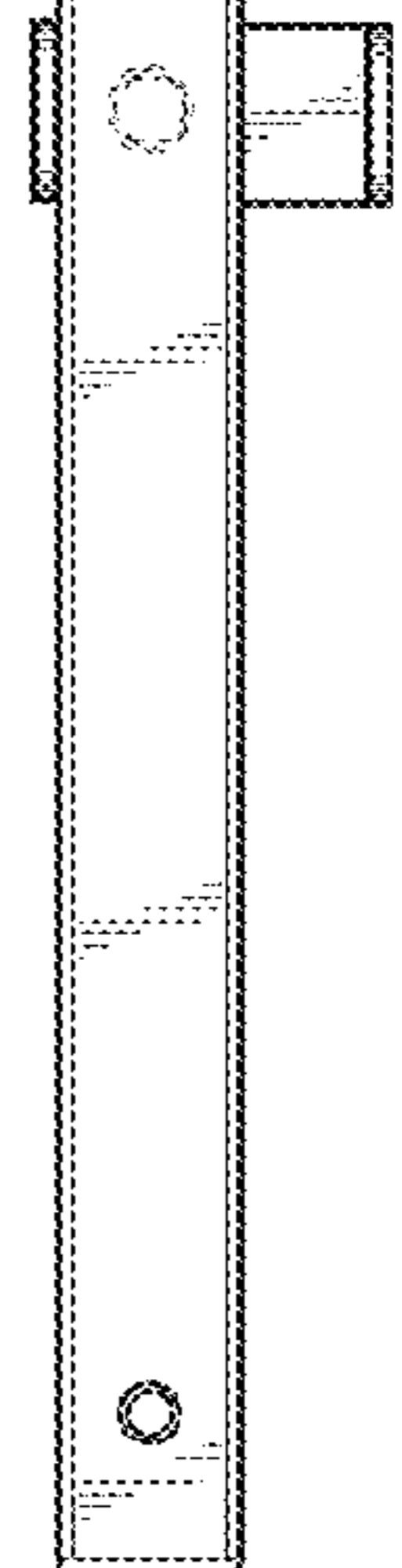


Fig. 8

