



US00D966643S

(12) **United States Design Patent** (10) **Patent No.:** **US D966,643 S**
Ying et al. (45) **Date of Patent:** **** Oct. 11, 2022**

(54) **COMPOSTER**

(71) Applicant: **Open Mind Developments Corporation, Kelowna (CA)**

(72) Inventors: **Chim Bik Ying, Liverpool (GB); Rama Leung Wai Man, Hong Kong (HK); Daanvir Karan Dhir, Kelowna (CA); Kate Bartley, Vancouver (CA); Claire Marie Davey, Kelowna (CA); Jeremy Anthony Lang, Saskatoon (CA); Shay Eliezer Levy, West Vancouver (CA)**

(73) Assignee: **Open Mind Developments Corporation, Kelowna (CA)**

(**) Term: **15 Years**

(21) Appl. No.: **29/769,058**

(22) Filed: **Feb. 3, 2021**

(51) **LOC (13) Cl.** **09-09**

(52) **U.S. Cl.**
USPC **D34/7**

(58) **Field of Classification Search**
USPC **D34/1, 5, 6, 7, 8, 9, 10, 11**
(Continued)

(56) **References Cited**

U.S. PATENT DOCUMENTS

4,352,888 A * 10/1982 Tisbo C05F 17/907
71/901
D335,727 S * 5/1993 Kahl D34/1
(Continued)

OTHER PUBLICATIONS

BestBuy.com Jun. 1, 2022, Lomi Counter-top composter, https://www.bestbuy.com/site/lomi-counter-top-composter/6500614.p?skuld=6500614&ref=212&loc=1&gclid=EAIaIQobChMlybaYs4KN-AIV0jizAB0rUgDqEAQYASABEgLzgvD_BwE&gclid=aw.ds (Year: 2022).*

(Continued)

Primary Examiner — Cynthia Ramirez

(74) *Attorney, Agent, or Firm* — Adam K. Sacharoff; Much Shelist, P.C.

(57) **CLAIM**

The ornamental design for a composter, as shown and described.

DESCRIPTION

FIG. 1 is a front and top left side perspective view showing the new design for a composter;
FIG. 2 is a front and top right side perspective view thereof;
FIG. 3 is a rear bottom and left side perspective view thereof;
FIG. 4 is a rear bottom and right side perspective view thereof;
FIG. 5 is a front view thereof;
FIG. 6 is a rear view thereof;
FIG. 7 is a left side view thereof;
FIG. 8 is a right side view thereof;
FIG. 9 is a top plan view thereof;
FIG. 10 is a bottom plan view thereof;
FIG. 11 is a front and top left side perspective view showing the new design for a composter with its lid in the open position;
FIG. 12 is a front and top right side perspective view thereof;
FIG. 13 is a rear bottom and left side perspective view thereof;
FIG. 14 is a rear bottom and right side perspective view thereof;
FIG. 15 is a front view thereof;
FIG. 16 is a rear view thereof;
FIG. 17 is a left side view thereof;
FIG. 18 is a right side view thereof;
FIG. 19 is a top plan view thereof;
FIG. 20 is a bottom plan view thereof;
FIG. 21 is a front and top left side perspective view showing the new design for a composter with its lid in the open position and a bucket exploded out therefrom;
FIG. 22 is a front and top right side perspective view thereof;
FIG. 23 is a rear bottom and left side perspective view thereof;

(Continued)

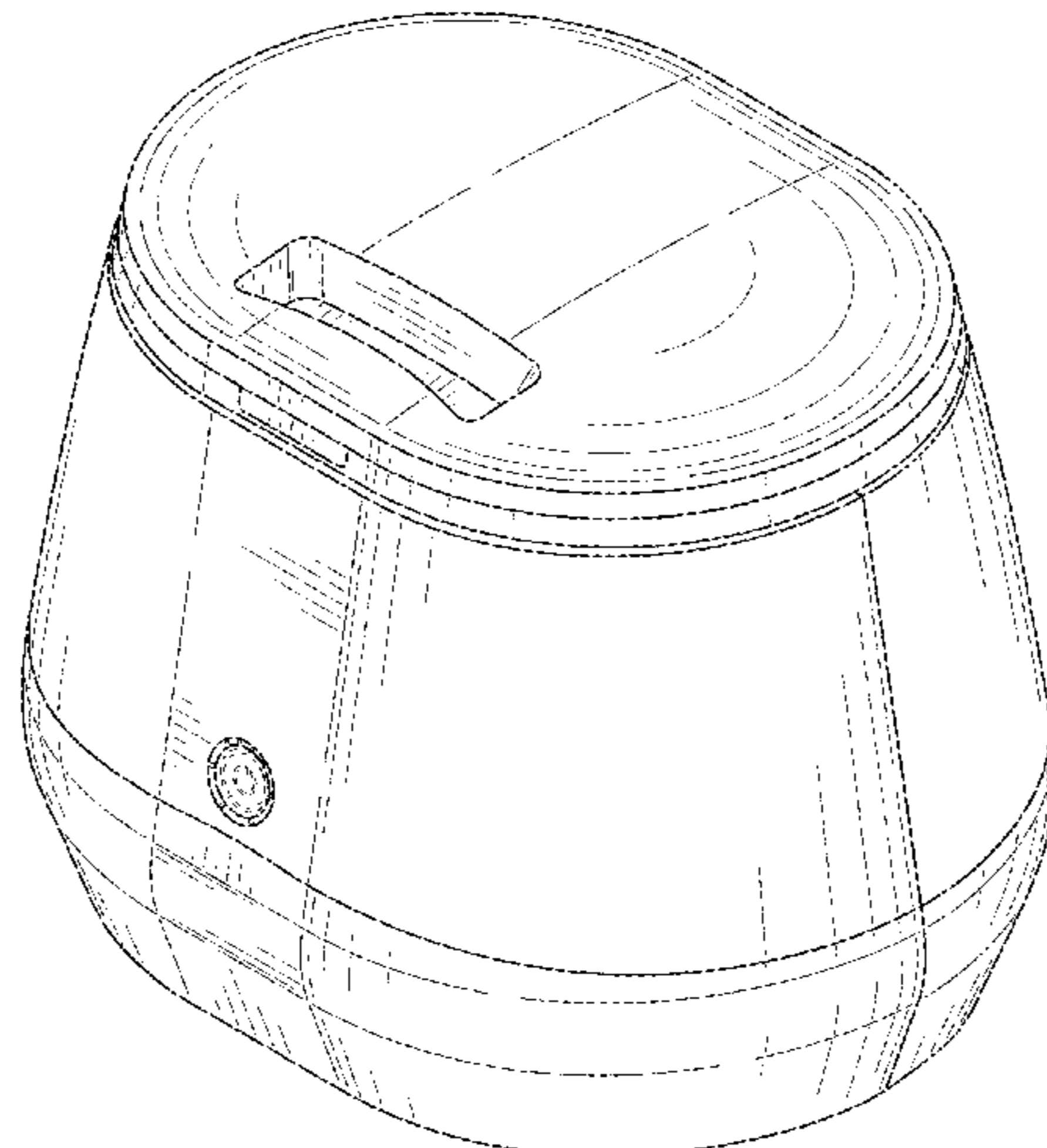


FIG. 24 is a rear bottom and right side perspective view thereof;
 FIG. 25 is a front view thereof;
 FIG. 26 is a rear view thereof;
 FIG. 27 is a left side view thereof;
 FIG. 28 is a right side view thereof;
 FIG. 29 is a top plan view thereof; and,
 FIG. 30 is a bottom plan view thereof.
 The broken lines shown in the drawings depict portions of the composter that form no part of the claimed design.

1 Claim, 30 Drawing Sheets

(58) **Field of Classification Search**

CPC B65F 1/1473; B65F 1/1452; B65F 1/1615;
 C12M 1/00; C12M 1/10; Y02P 20/145;
 Y10S 220/913; Y10S 220/908; C05F
 17/907; C05F 17/02; C05F 17/0205;
 C05F 17/0223; C05F 17/0258

See application file for complete search history.

(56) **References Cited**

U.S. PATENT DOCUMENTS

5,490,604 A * 2/1996 Alexander B65D 11/1873
 220/676
 D641,122 S * 7/2011 Kanervo D34/7

D644,389 S * 8/2011 Roberts D34/7
 8,813,992 B2 * 8/2014 Chitayat B65F 1/06
 220/495.04
 D722,735 S * 2/2015 Del Rosario Roy D34/8
 D751,262 S * 3/2016 Currier D34/7
 D891,719 S * 7/2020 Sponder D34/8
 D902,518 S * 11/2020 Dror D34/1
 D909,000 S * 1/2021 Grossman D34/7
 D936,928 S * 11/2021 Breisinger D34/8
 D937,525 S * 11/2021 Armando D34/7
 D938,125 S * 12/2021 Zhang D34/7
 D939,174 S * 12/2021 Zeng D34/7
 2010/0193534 A1 * 8/2010 Roberts B65F 1/1615
 220/200

OTHER PUBLICATIONS

Amazon.com Jun. 1, 2022, OXO Good Grip Easy-Clean compost bin, https://www.amazon.com/dp/B083GFSWPS/?tag=best-countertop-compost-bin-20&asc_source=browser&asc_refurl=https://www.bobvila.com/articles/best-countertop-compost-bin (Year: 2022).*
 Serouseats.com Jun. 1, 2022, Article “We tested 12 counter top compost bins to find the best ones”, <https://www.serouseats.com/best-countertop-compost-bins-5188909> (Year: 2022).*
 joieshop.com Jun. 1, 2022, Contertop Compost Bin, <https://joieshop.com/products/countertop-compost-bin> (Year: 2022).*

* cited by examiner

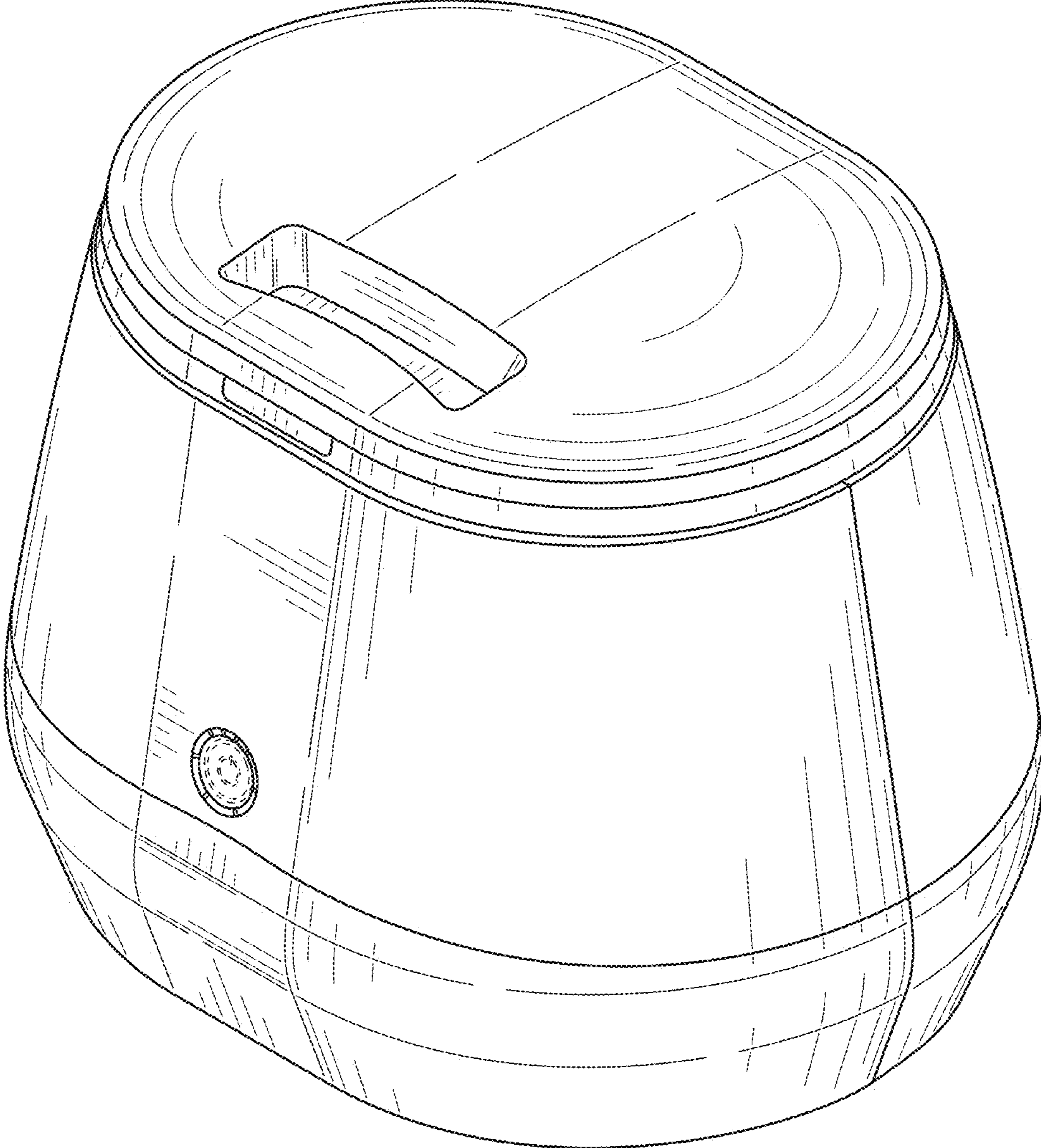


FIG. 1

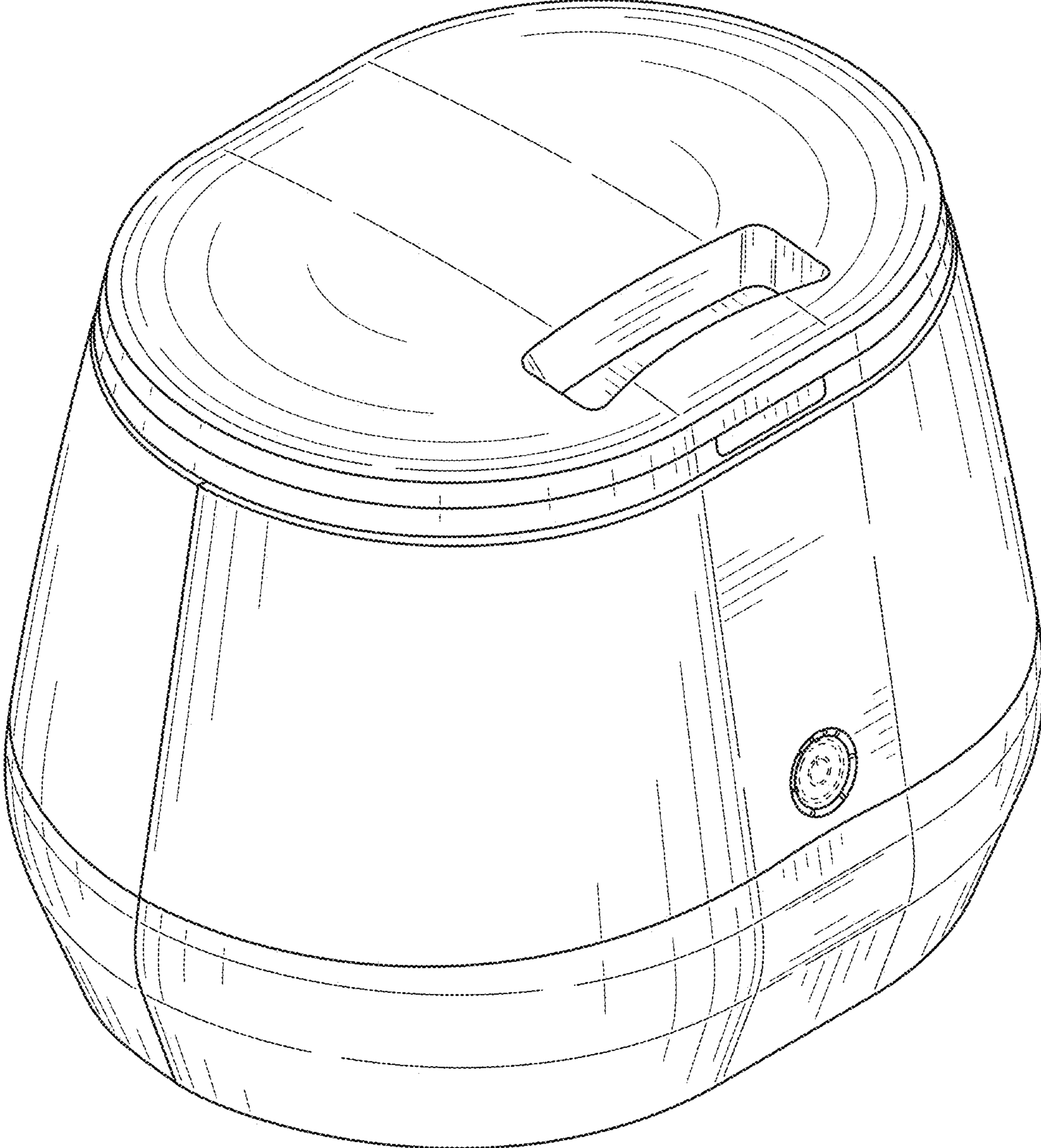


FIG. 2

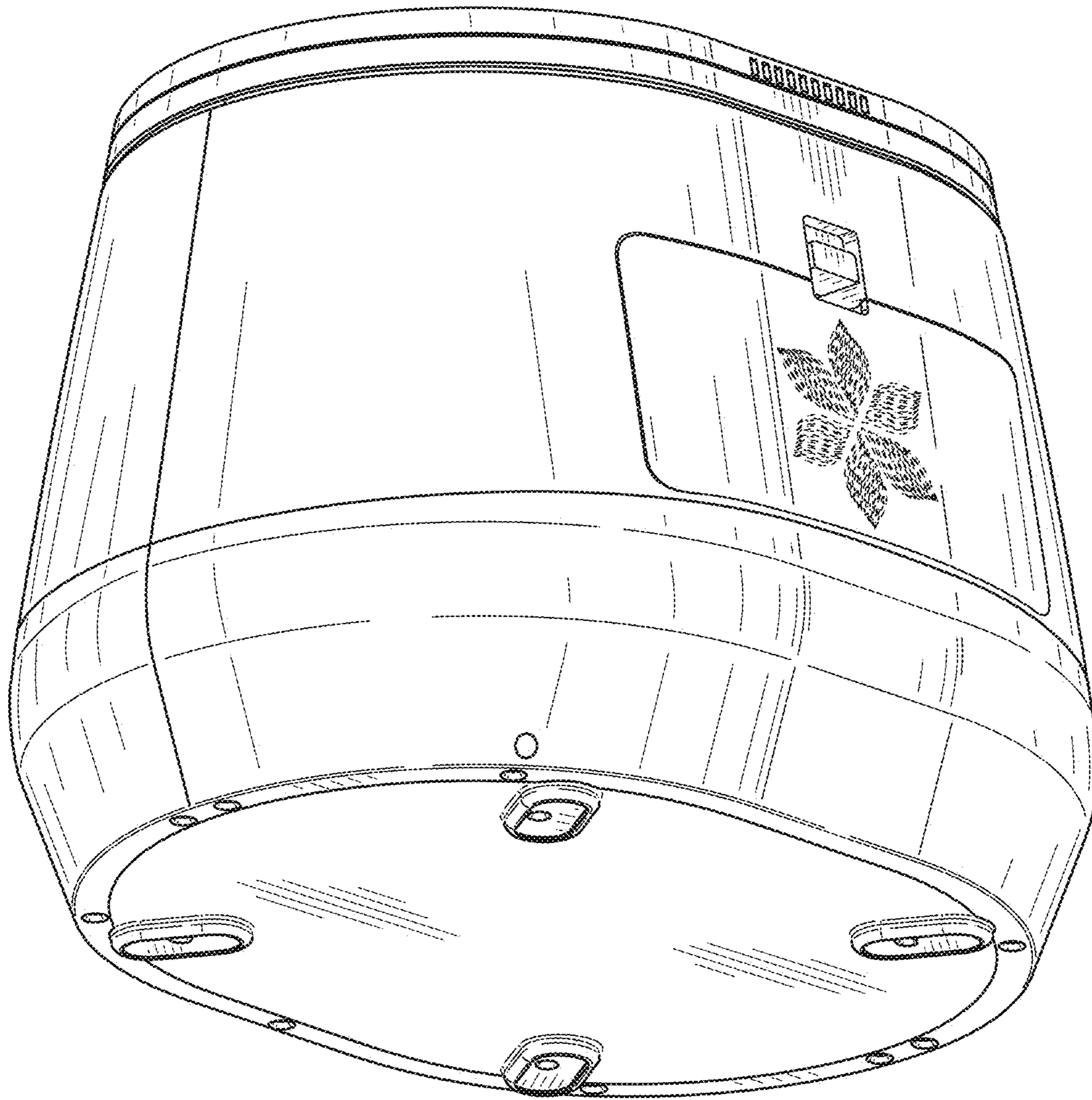


FIG. 3

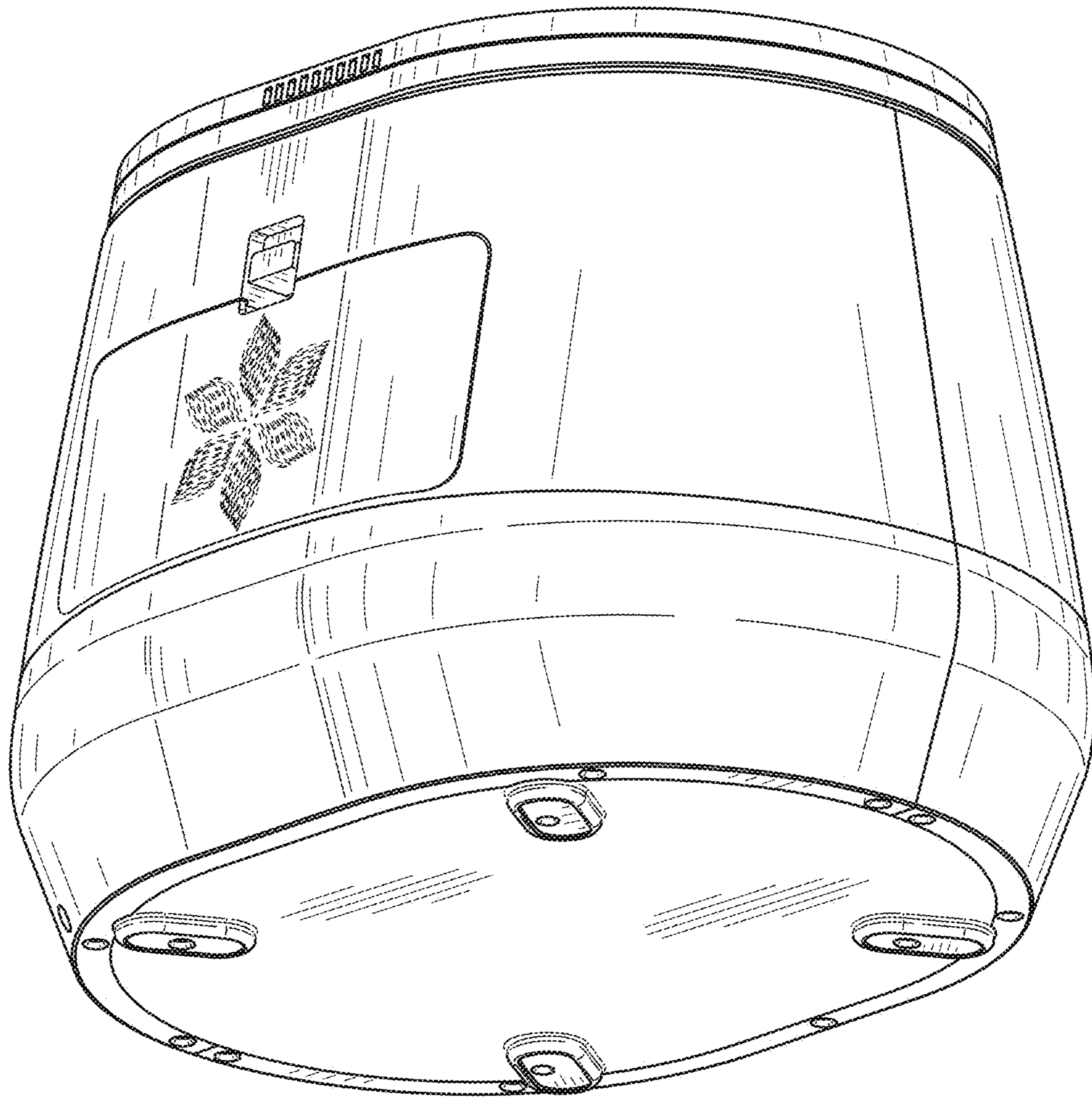


FIG. 4

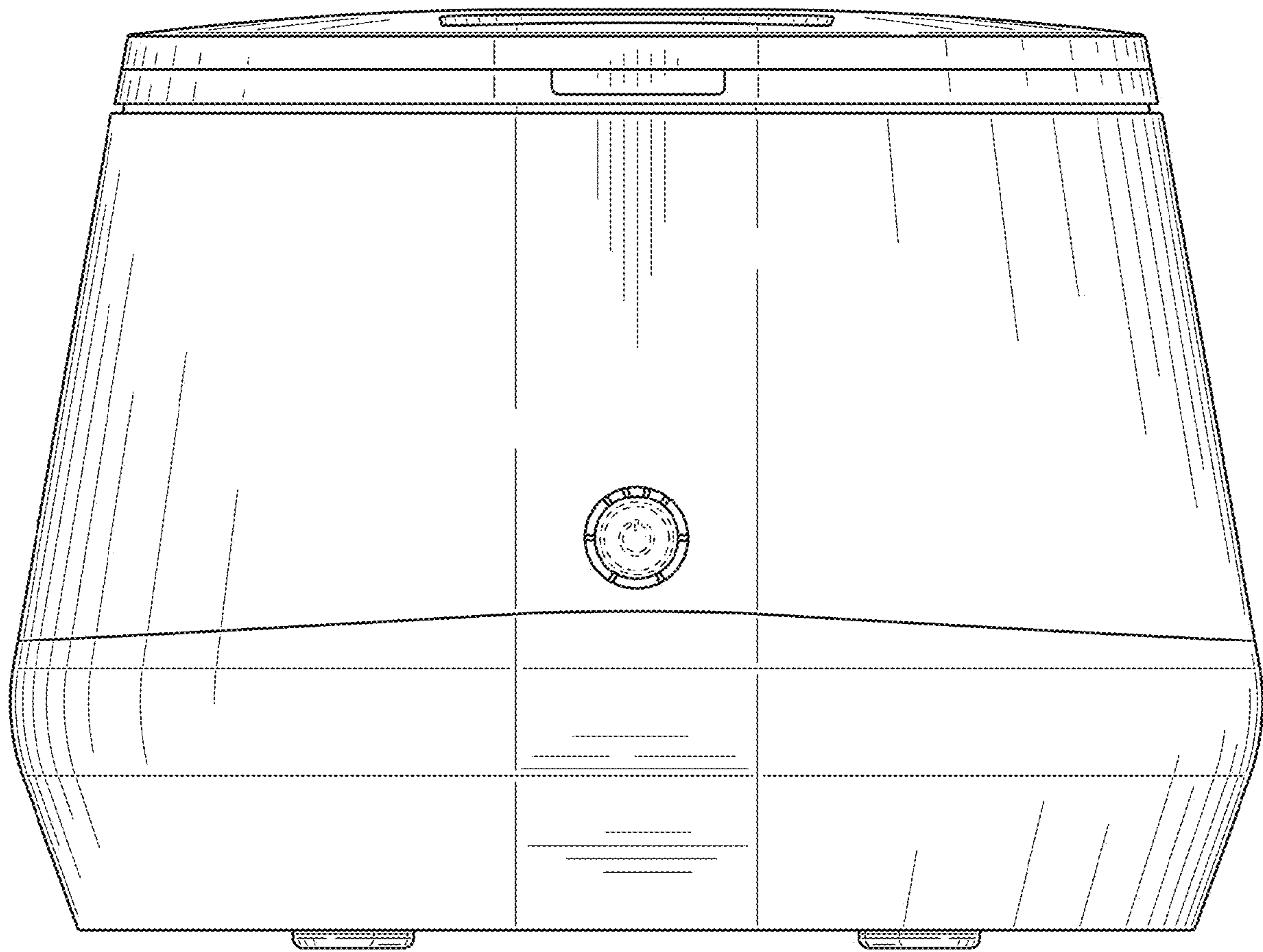


FIG. 5

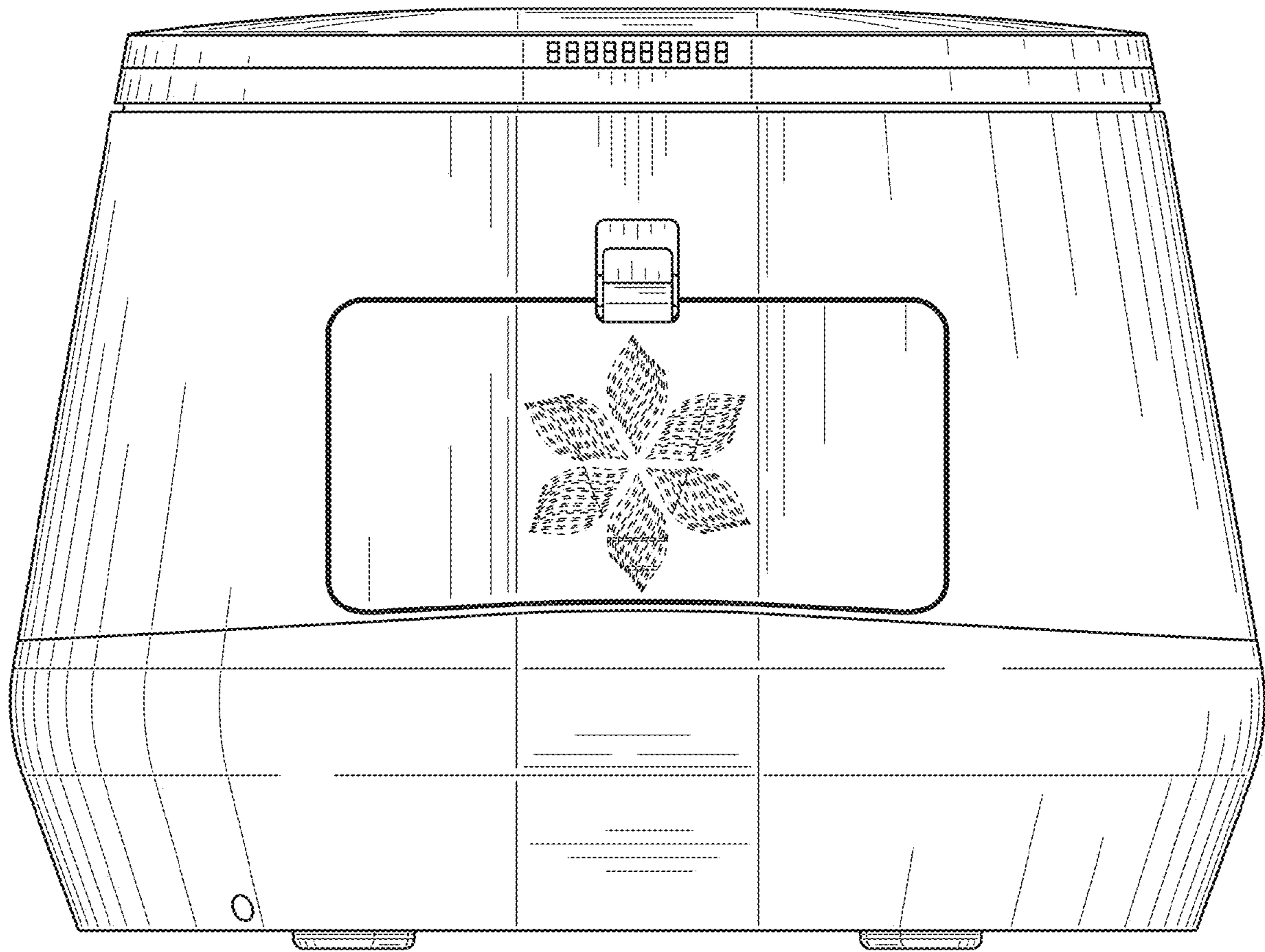


FIG. 6

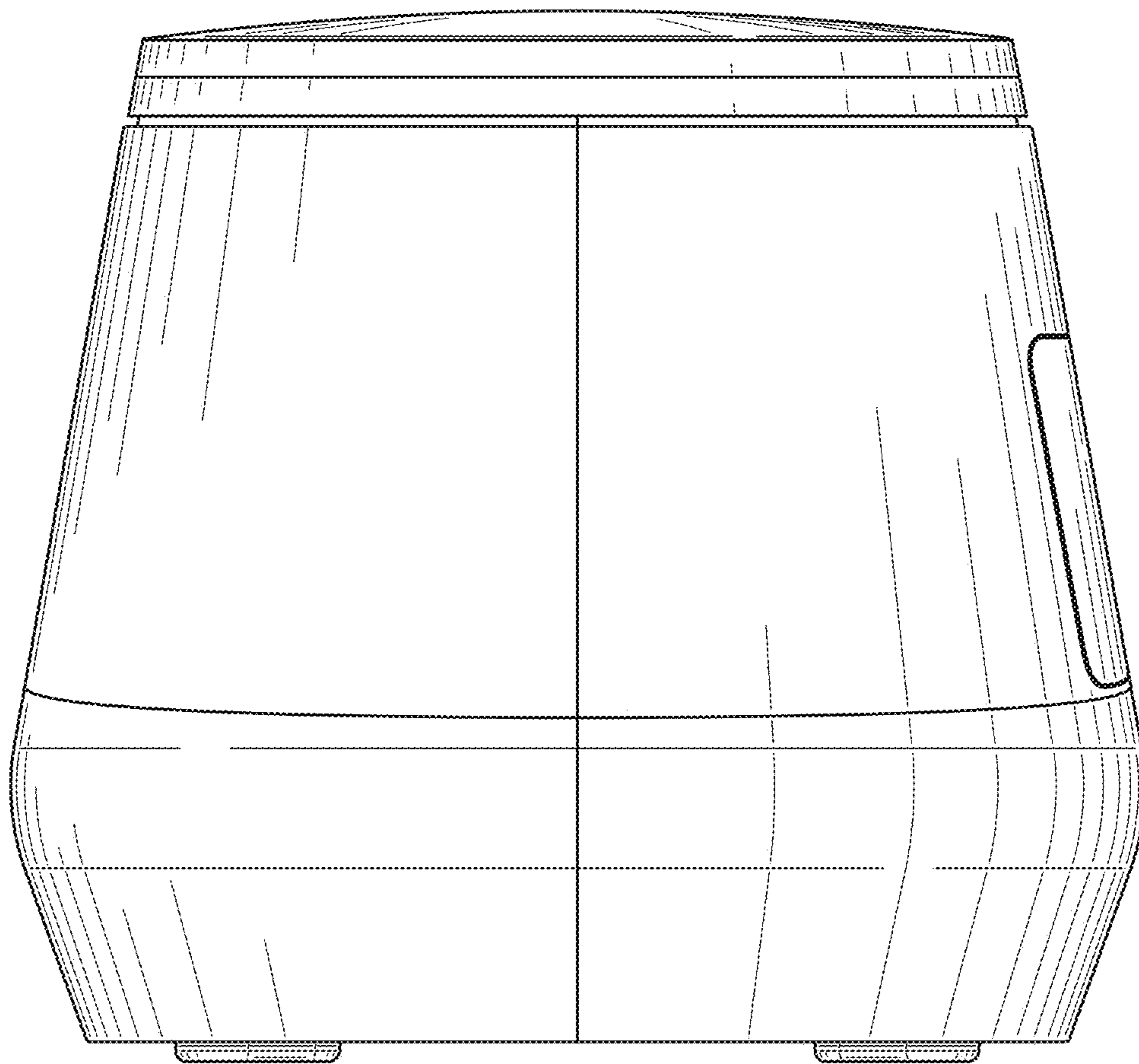


FIG. 7

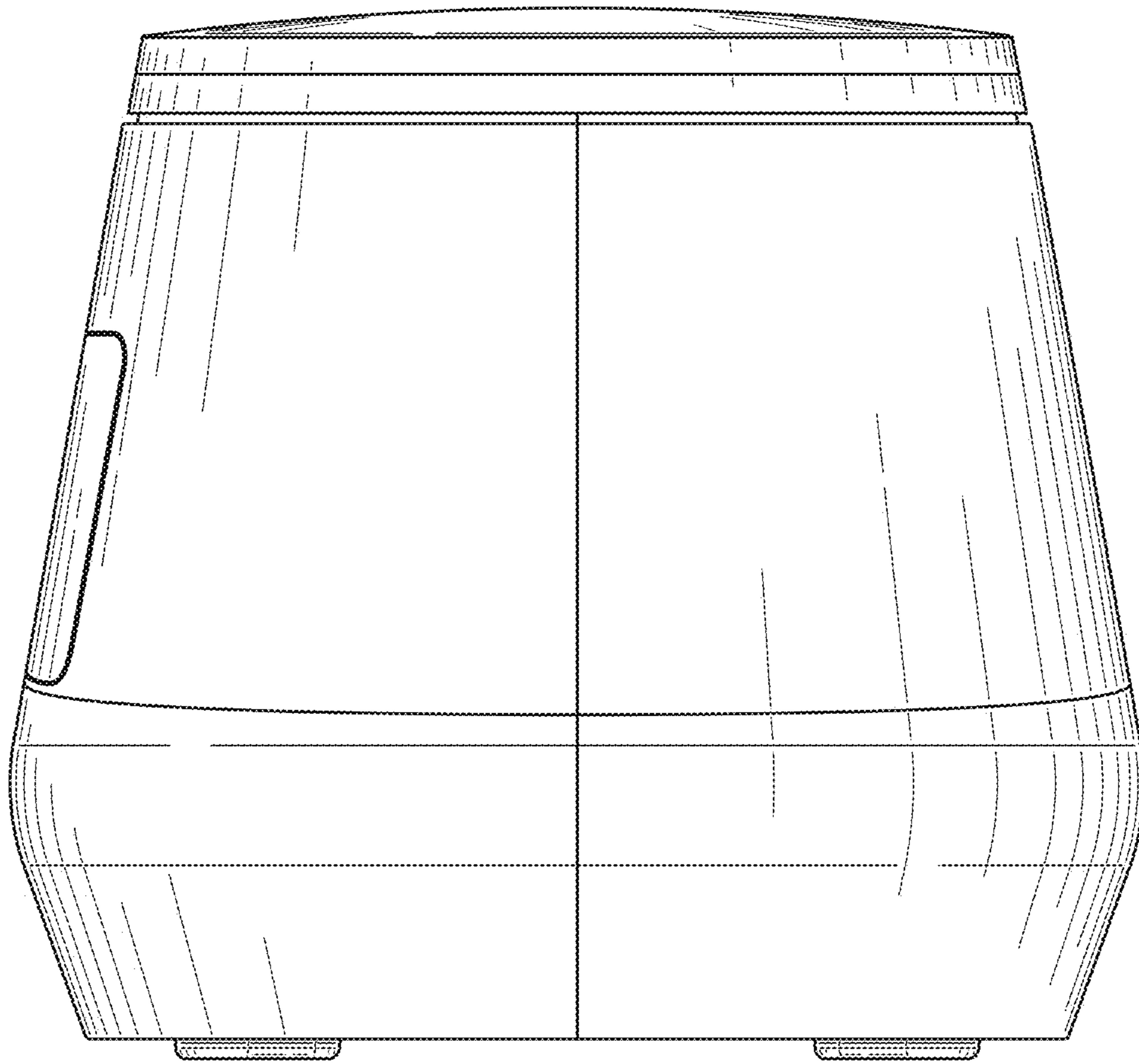


FIG. 8

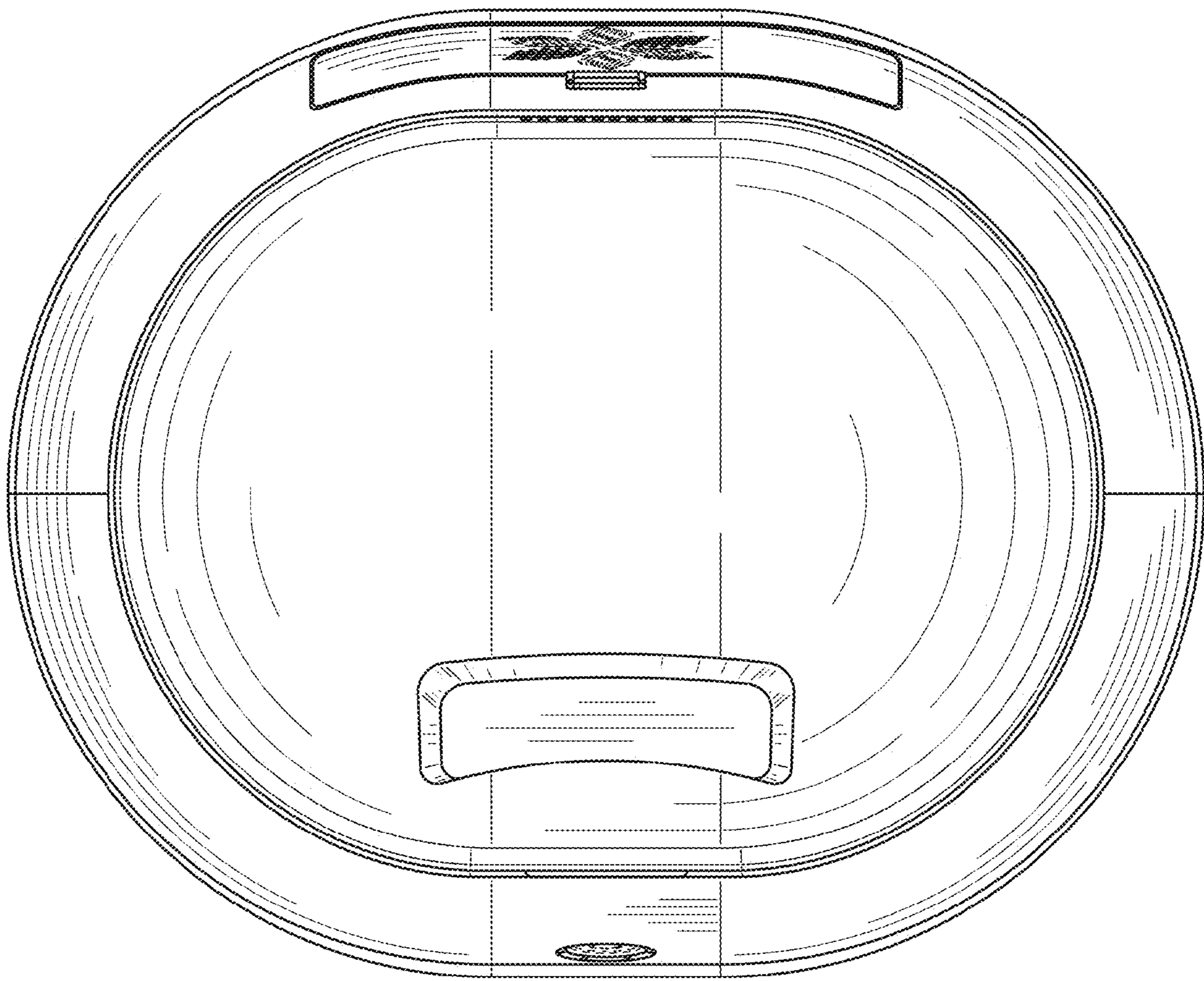


FIG. 9

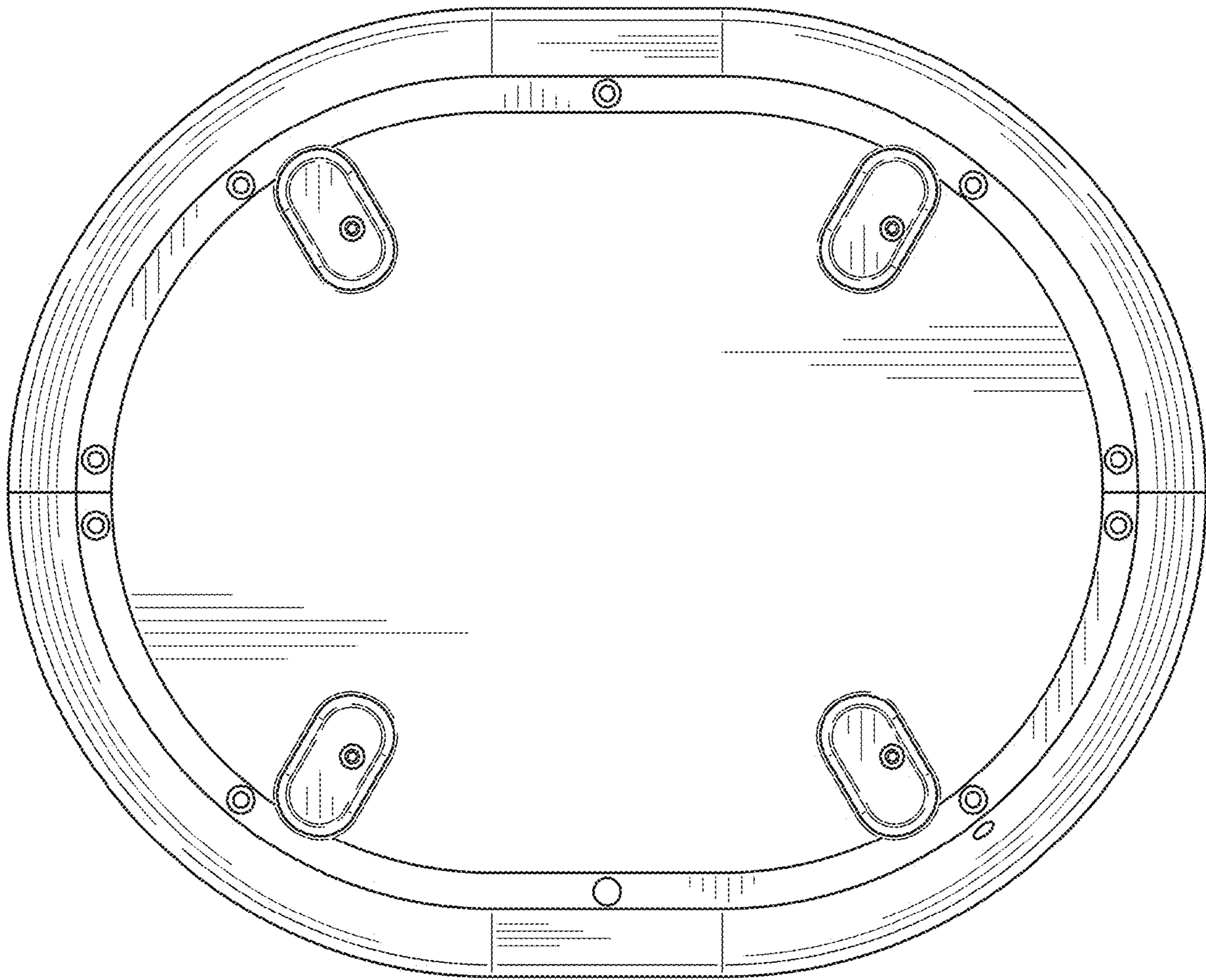


FIG. 10

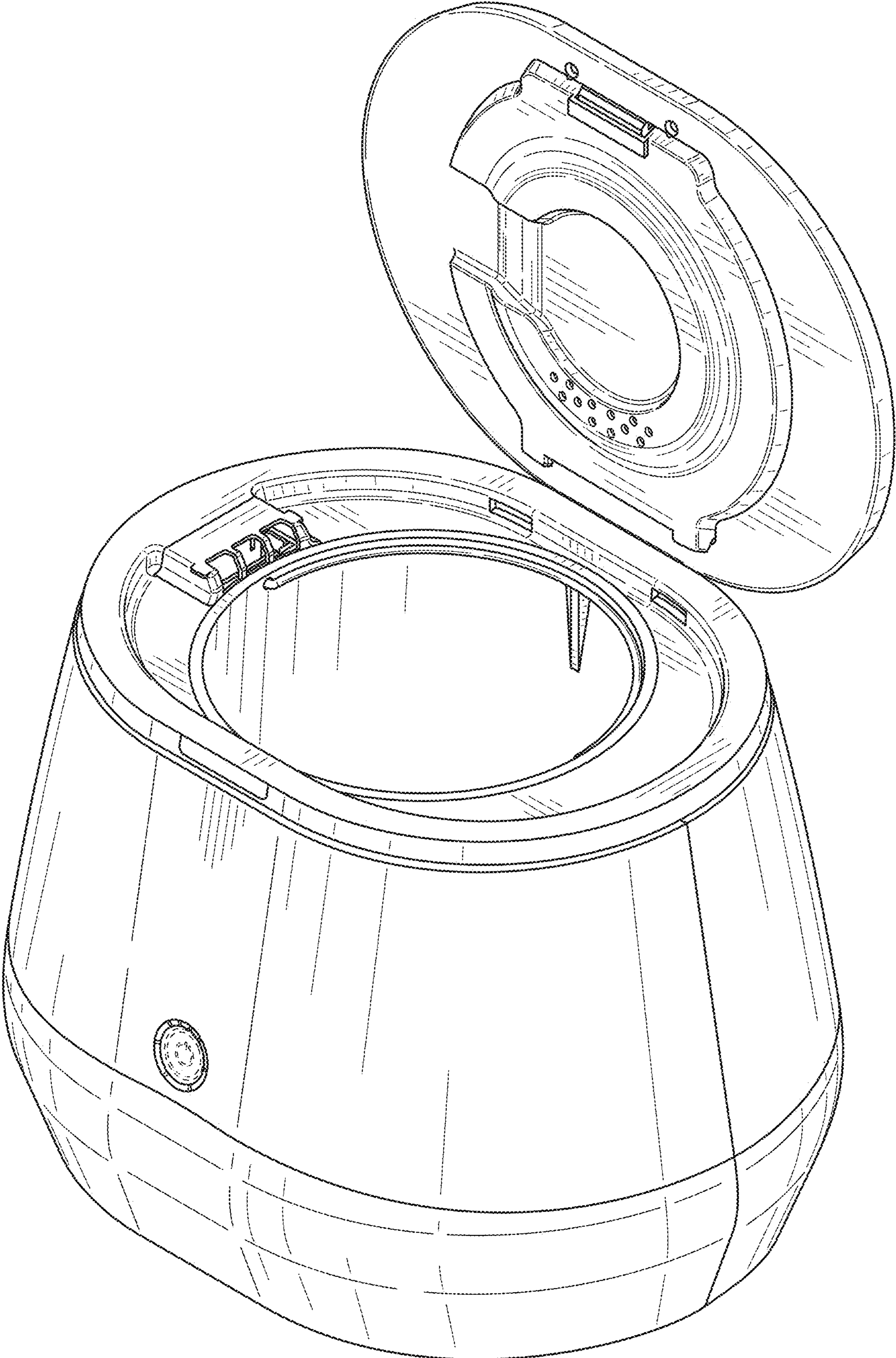


FIG. 11

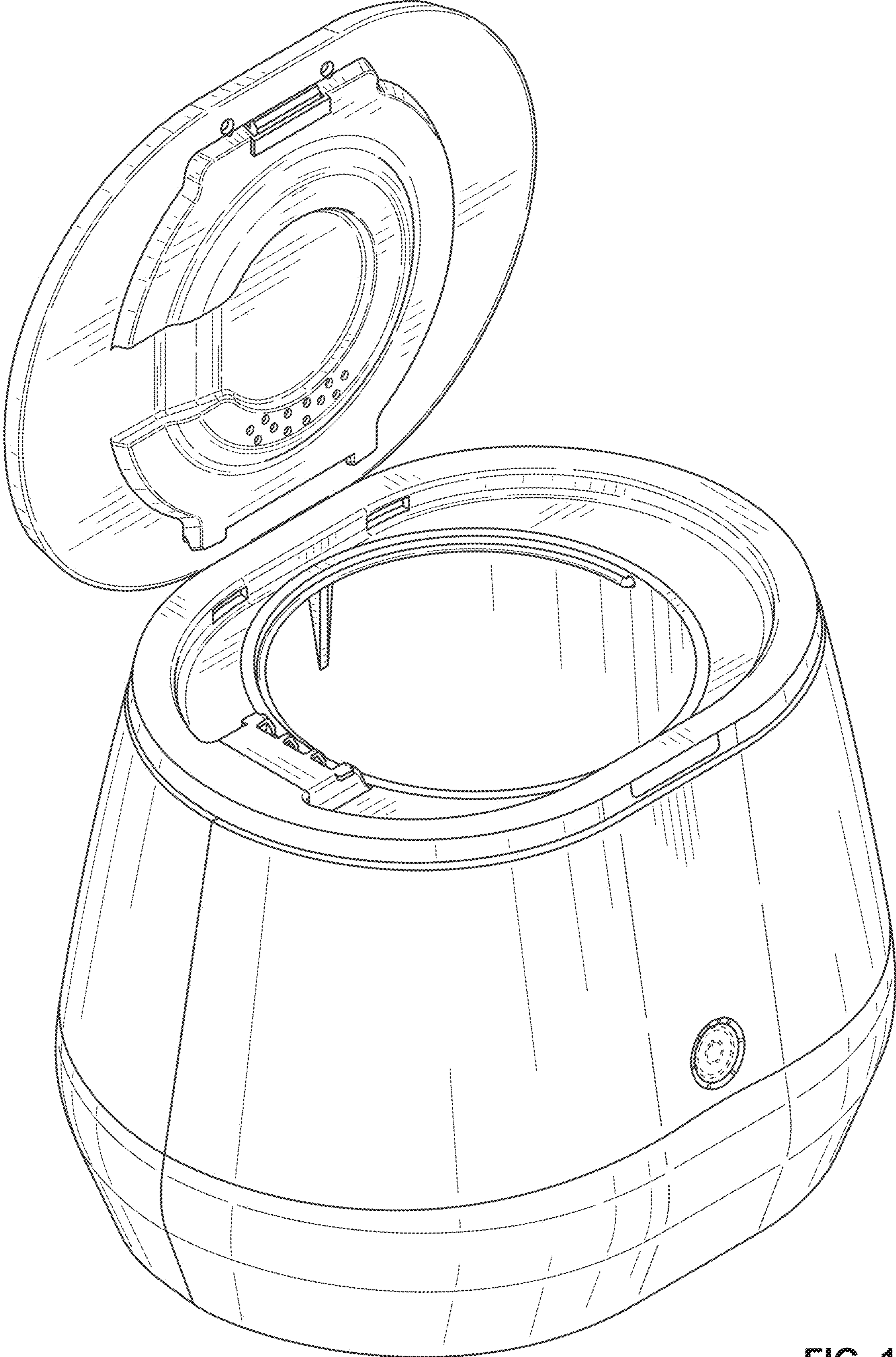


FIG. 12

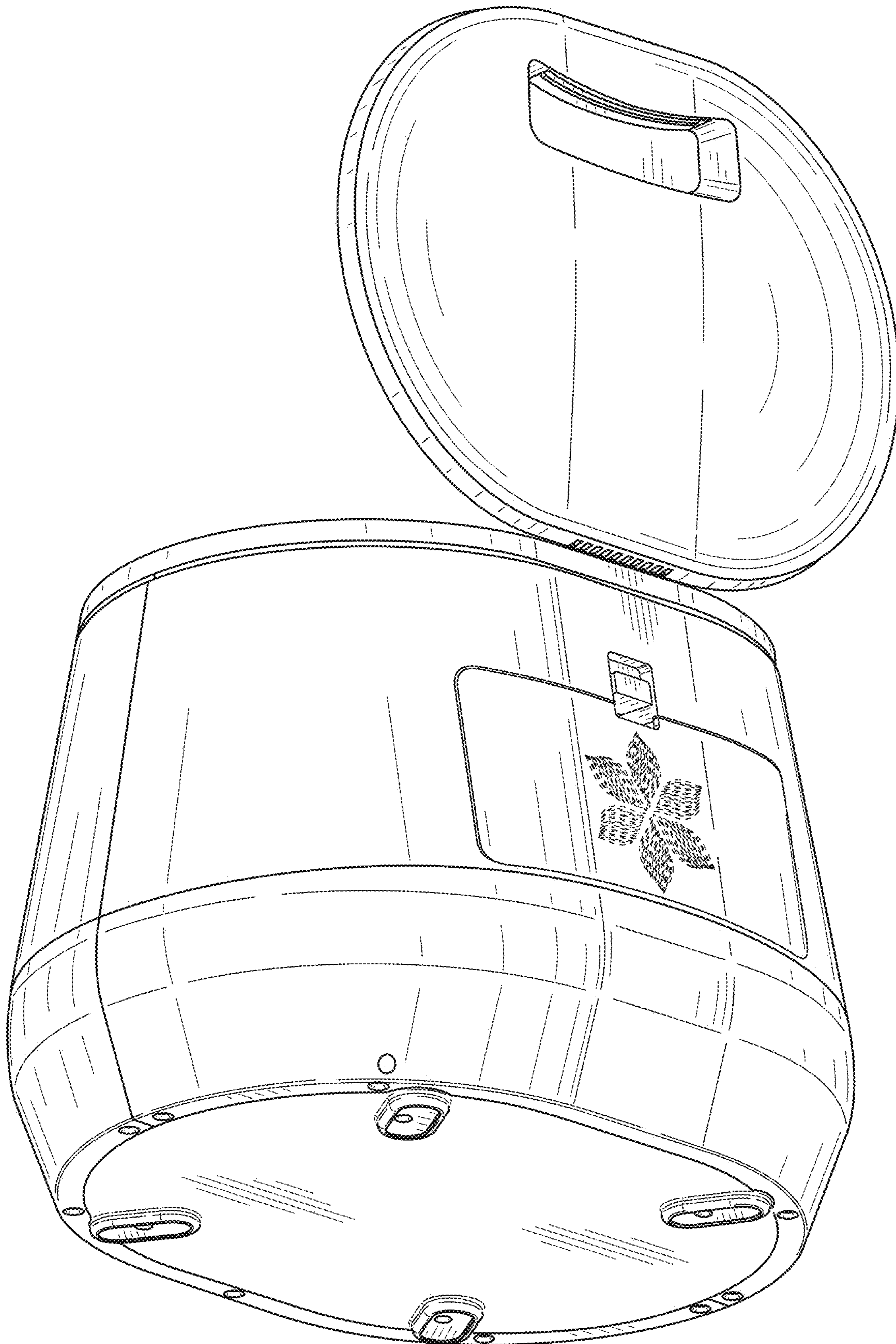


FIG. 13

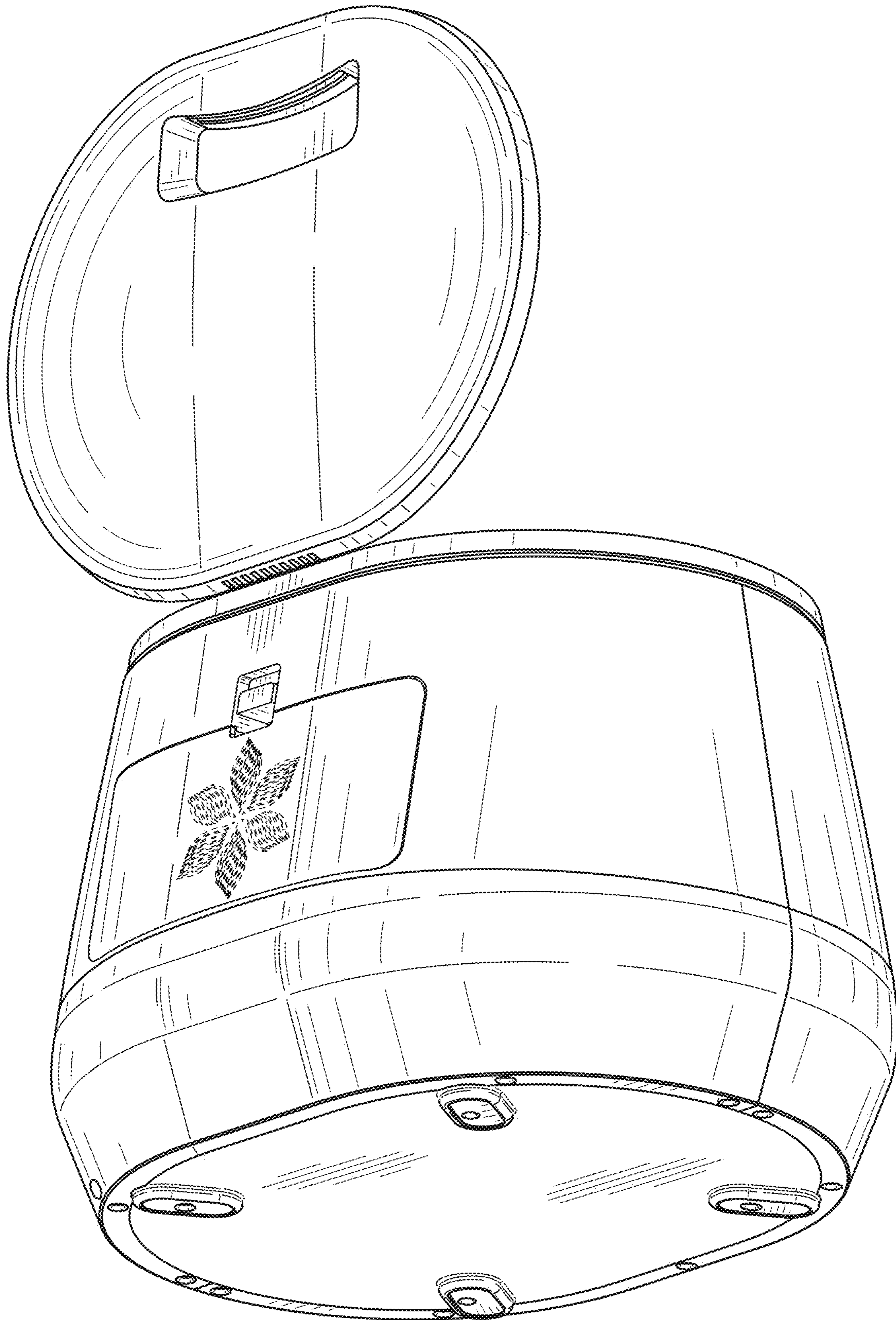


FIG. 14

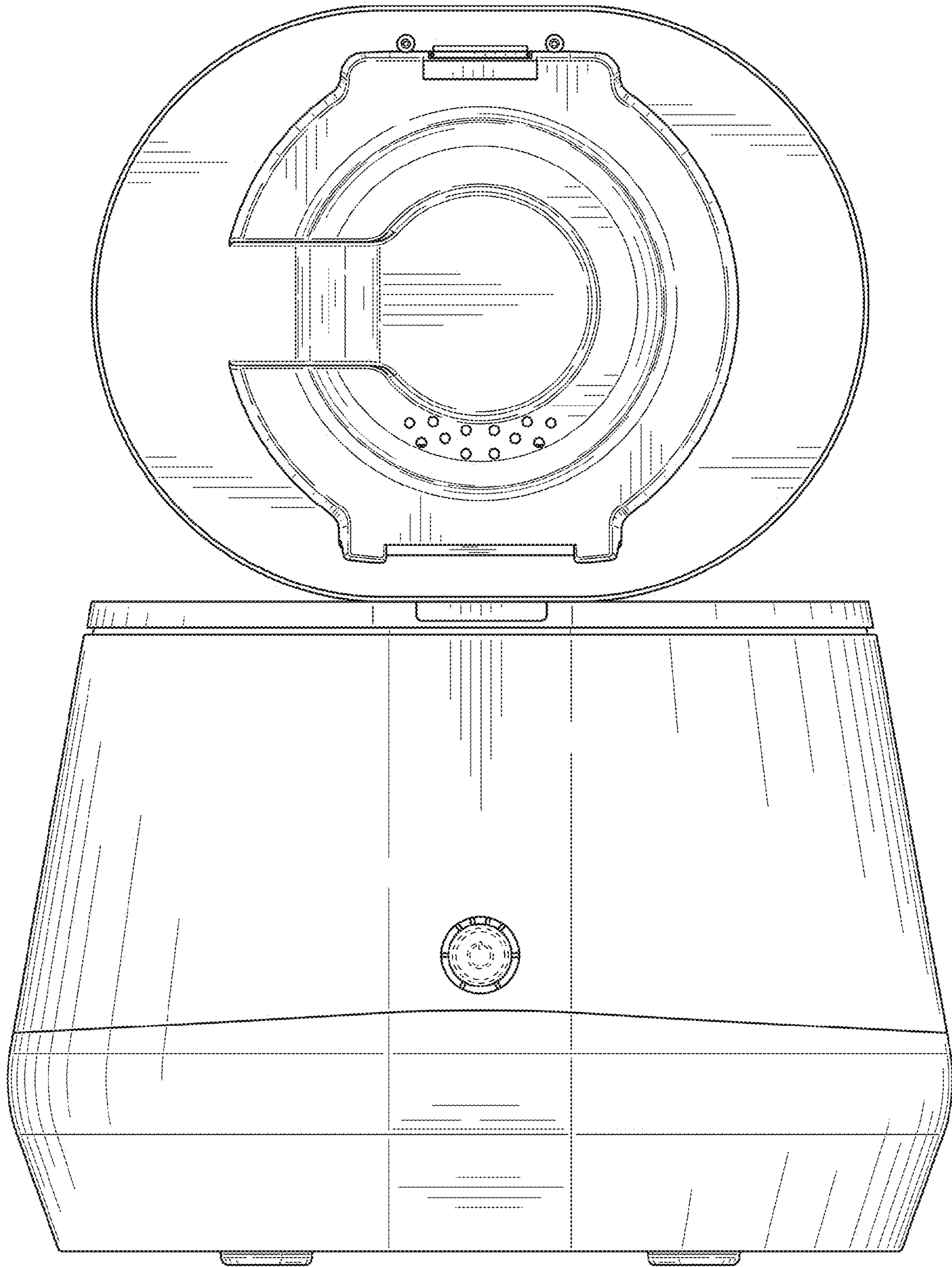


FIG. 15

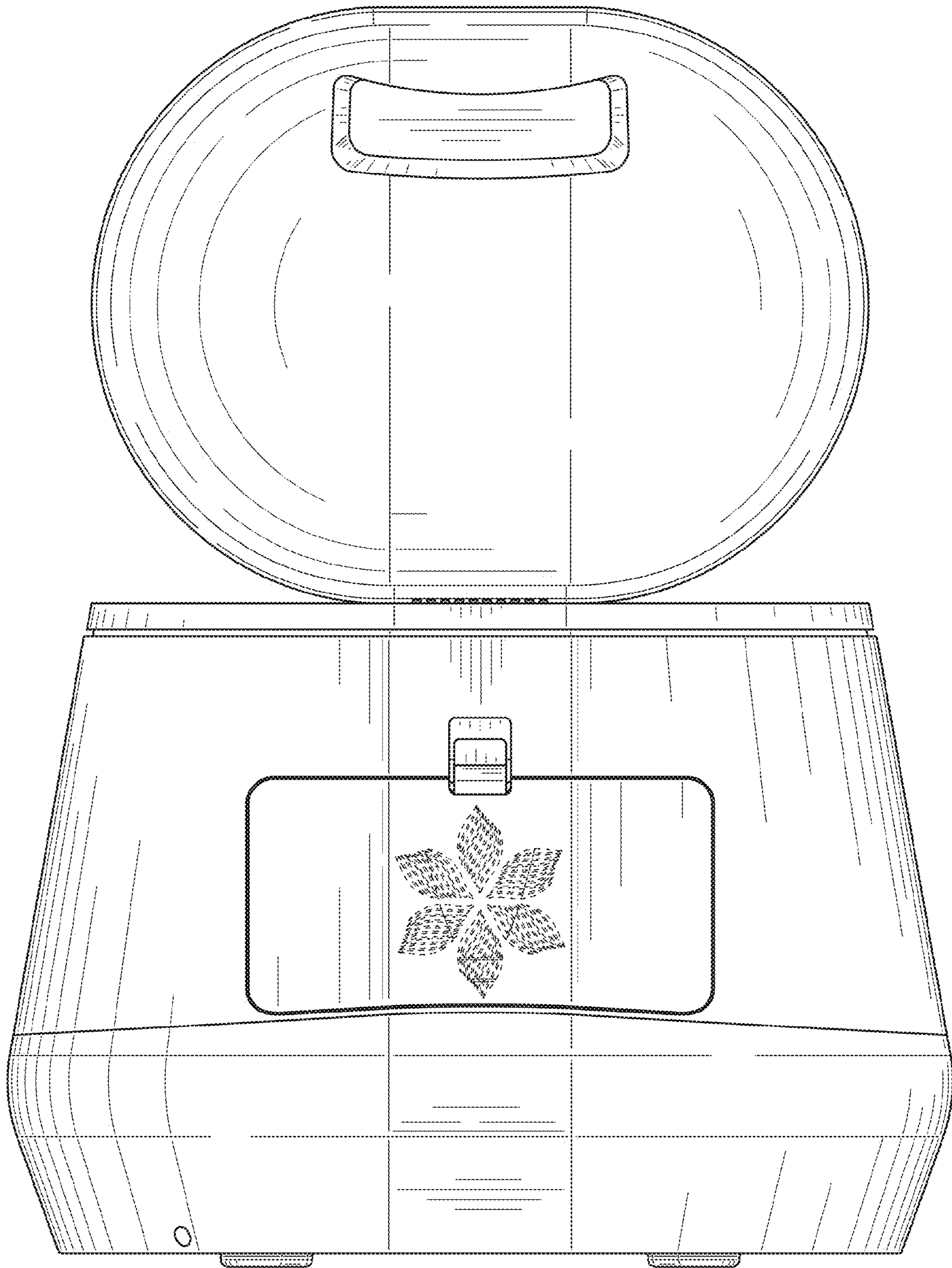


FIG. 16

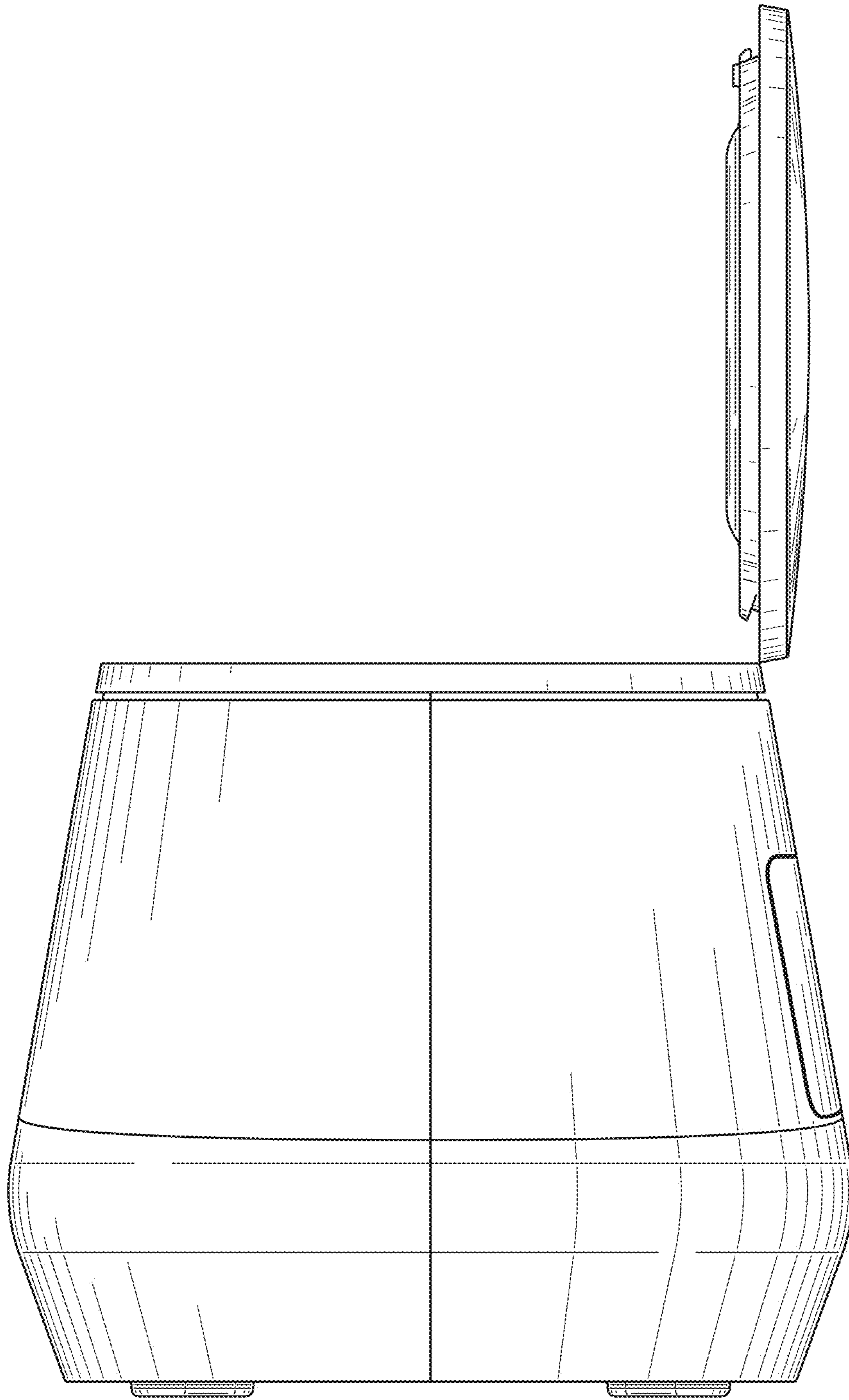


FIG. 17

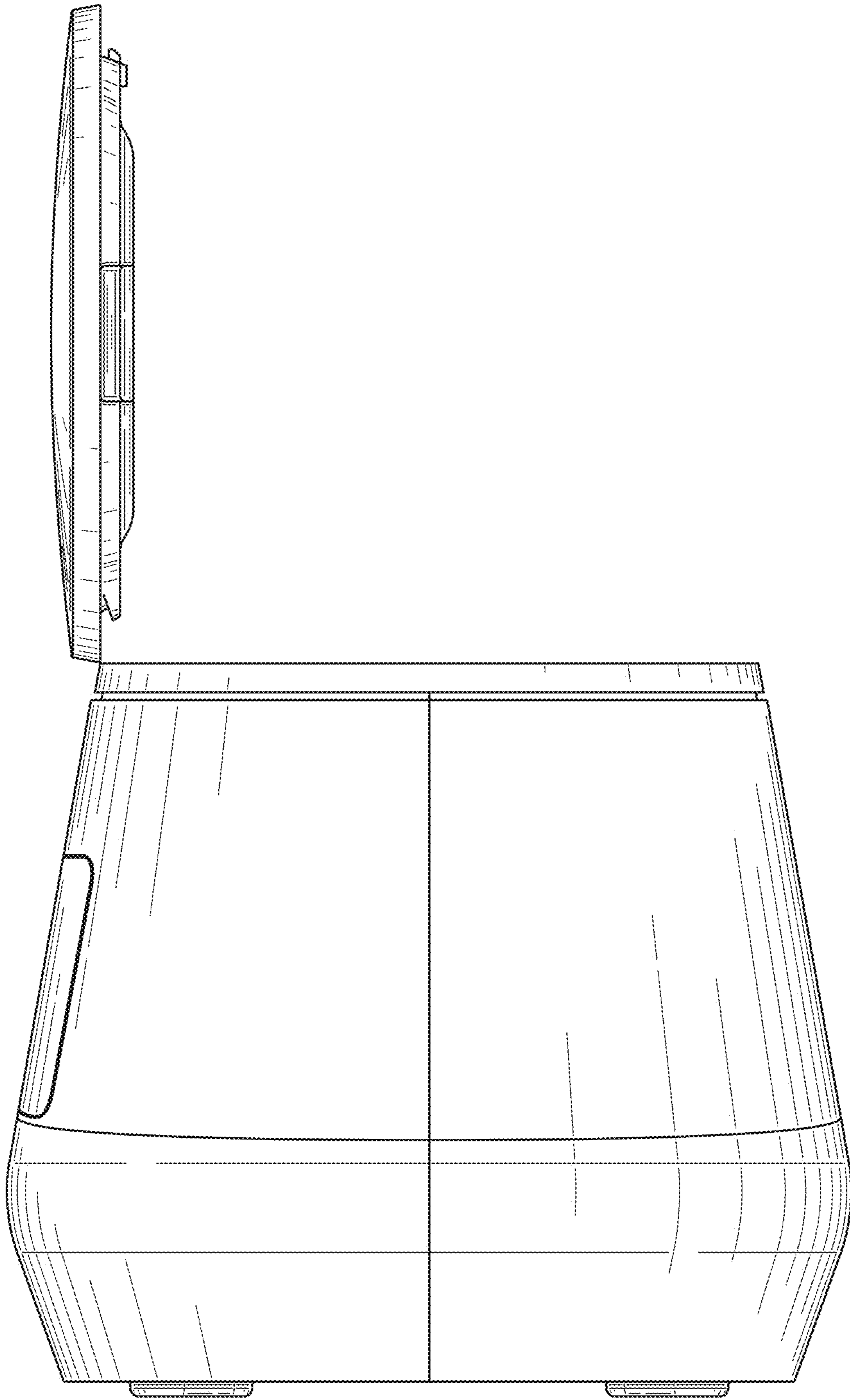


FIG. 18

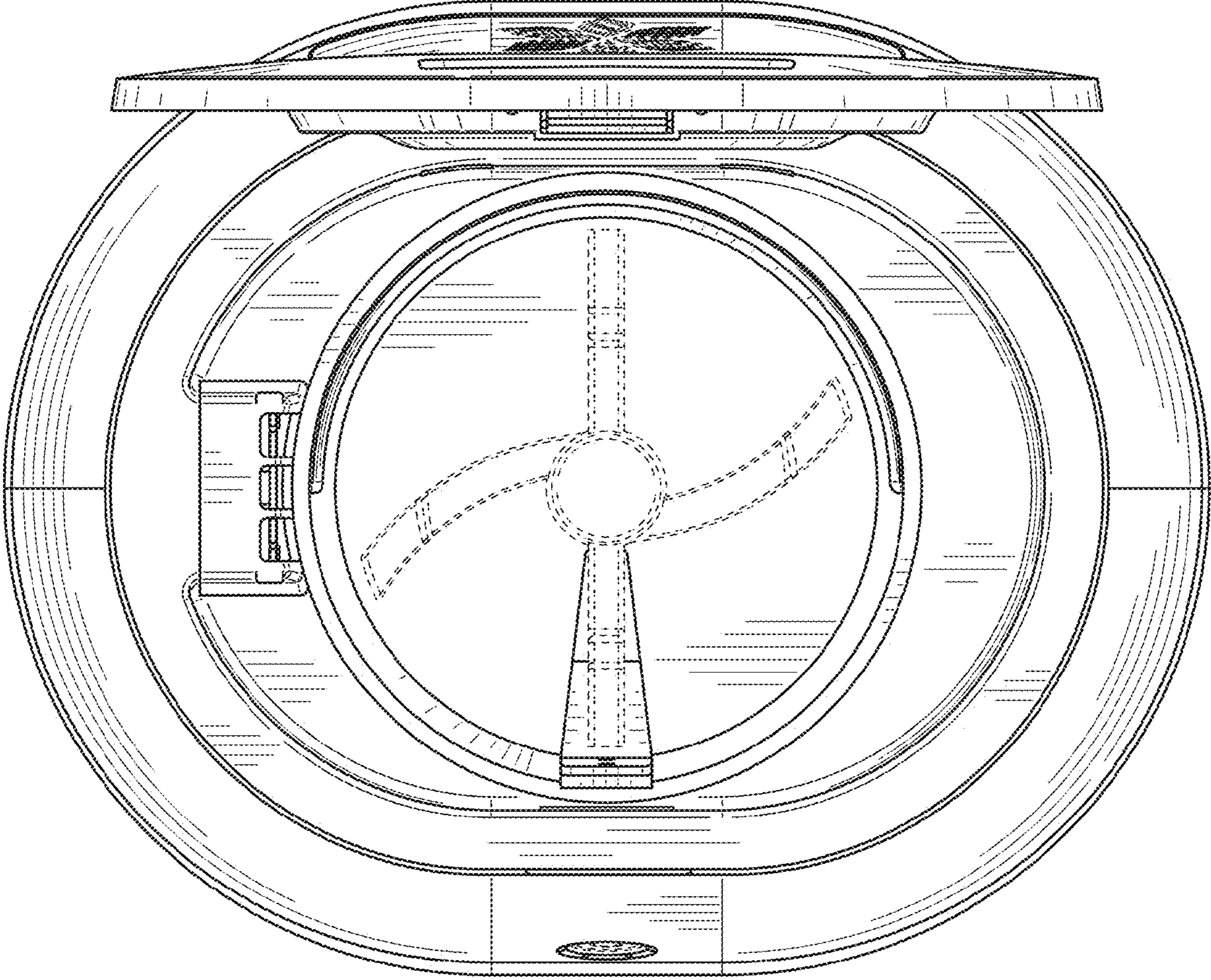


FIG. 19

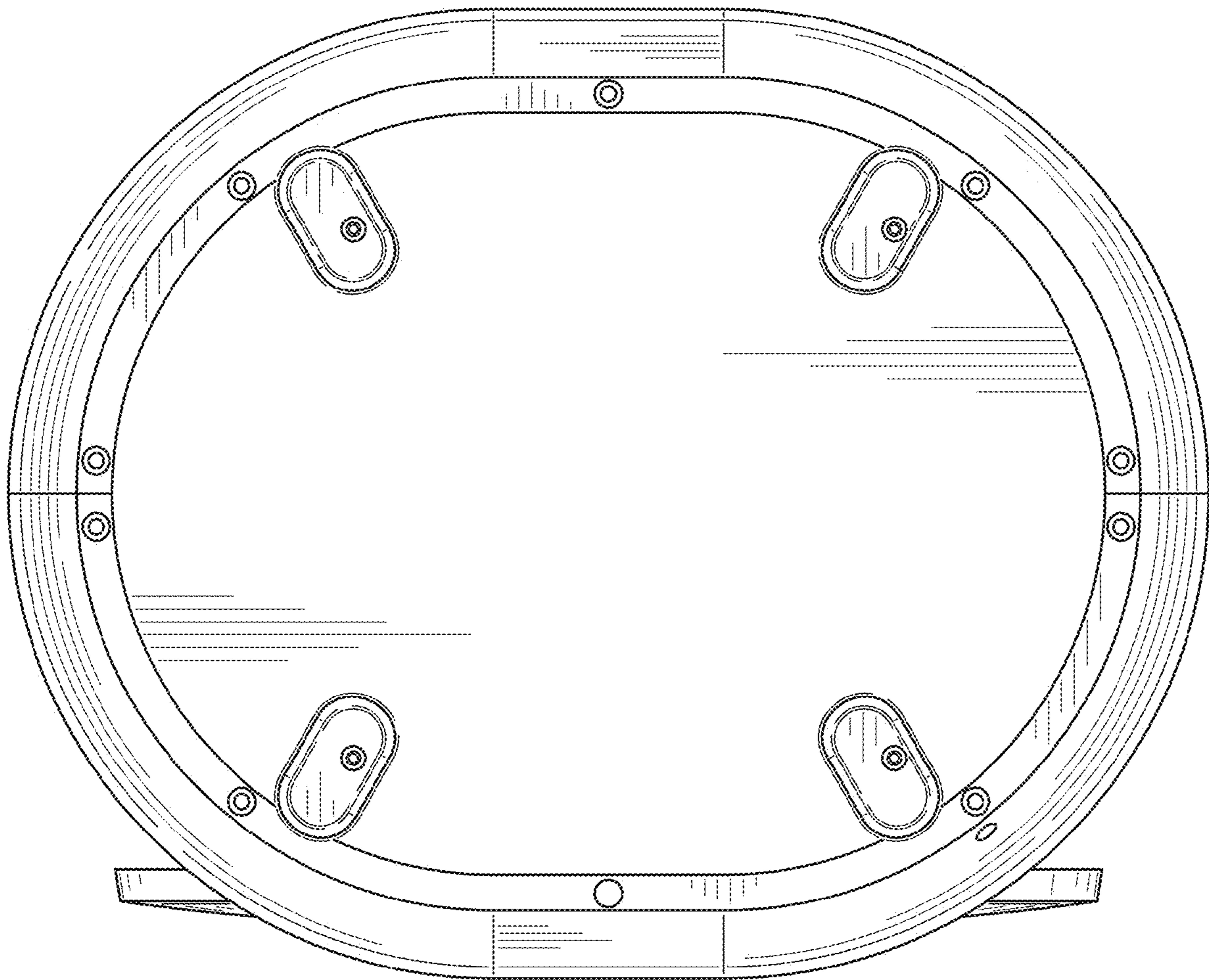


FIG. 20

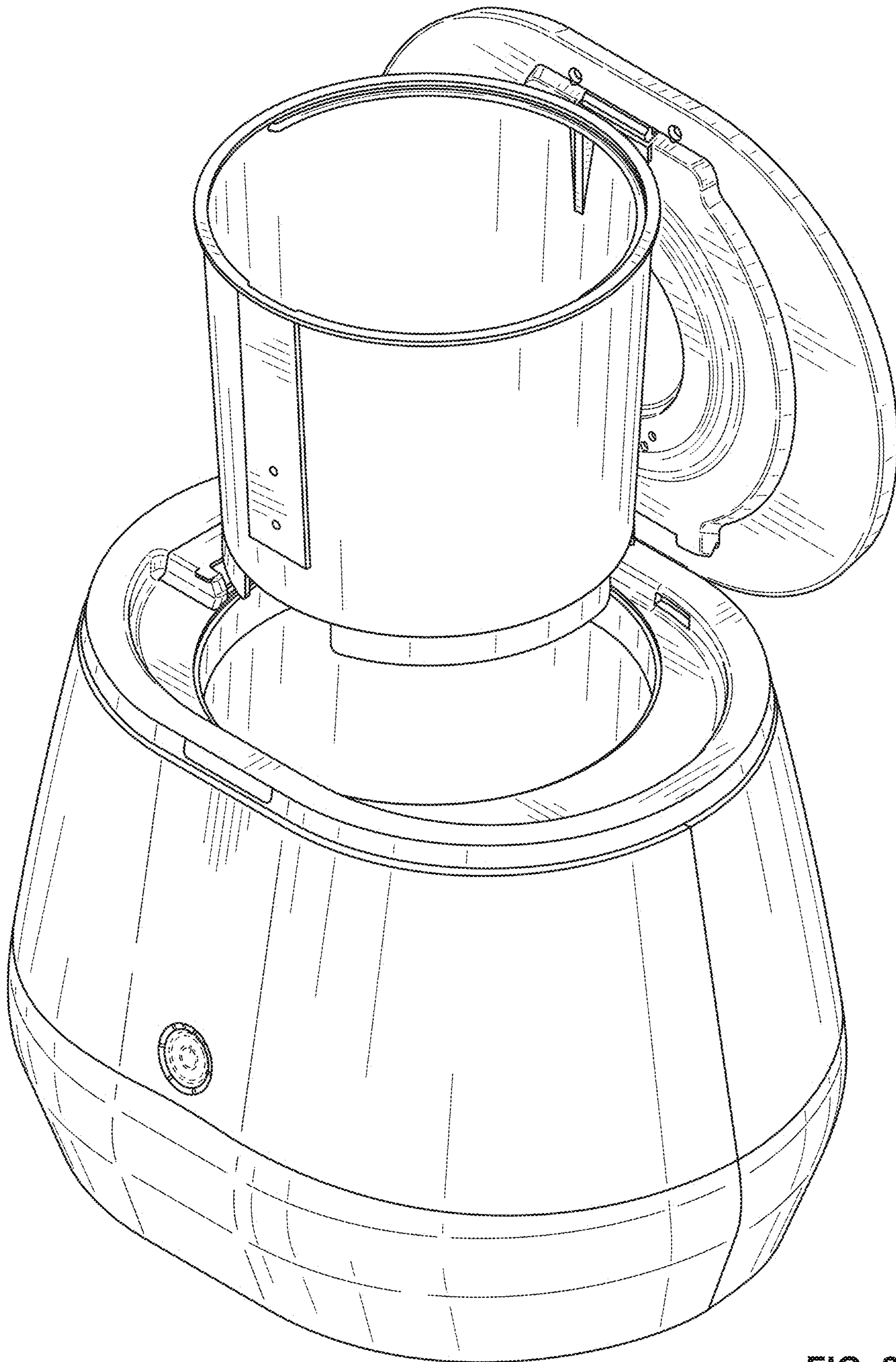


FIG. 21

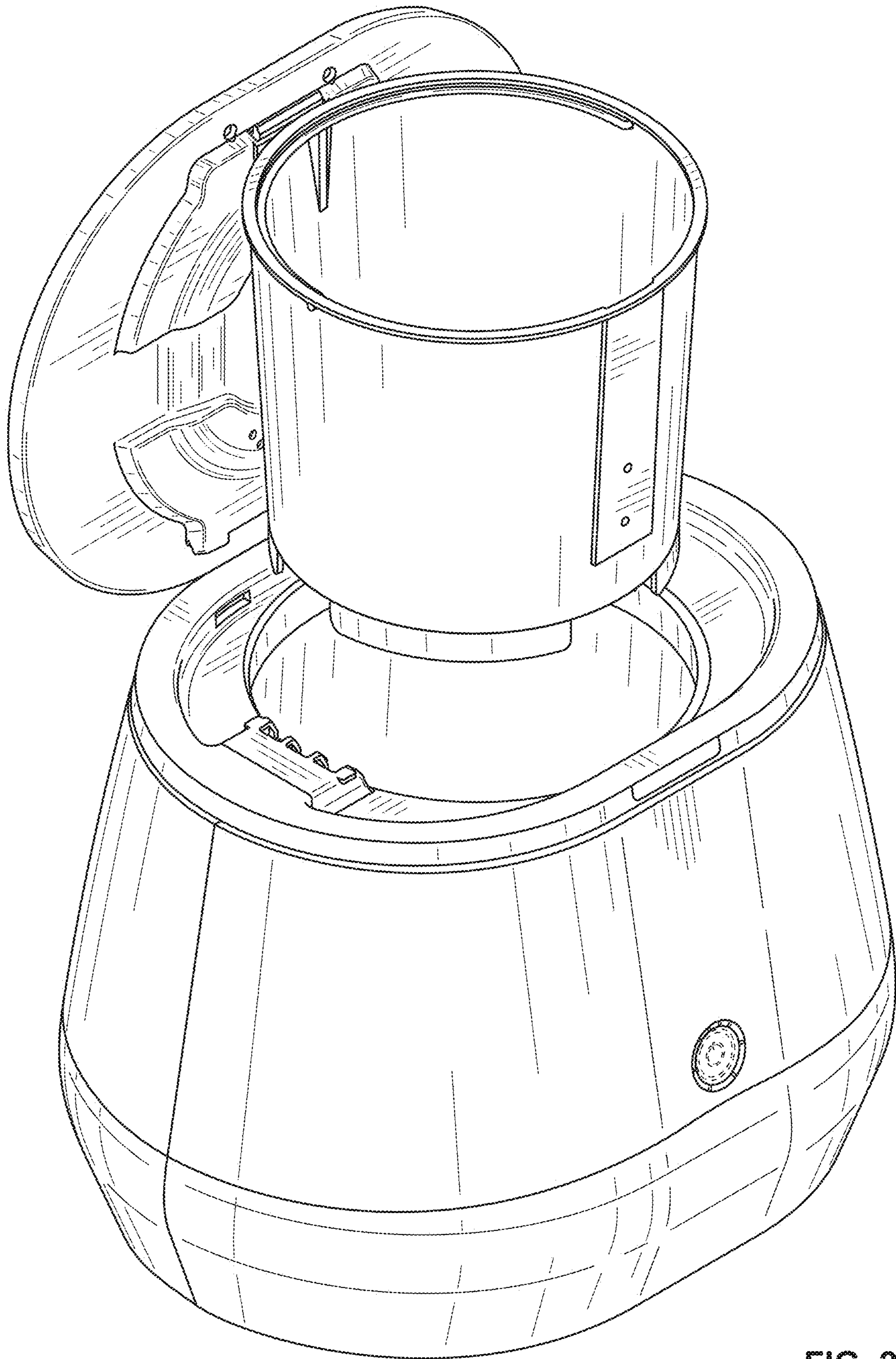


FIG. 22

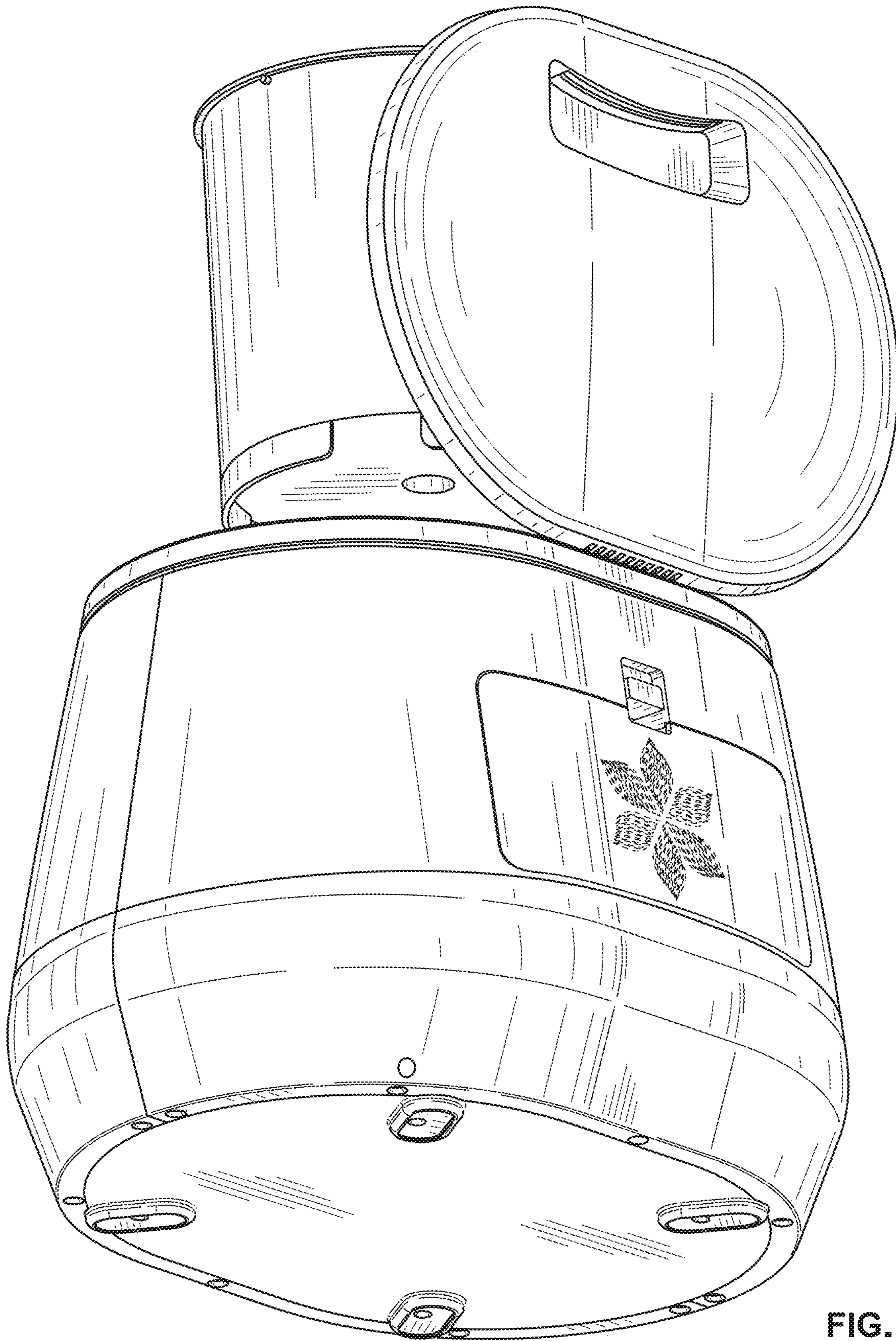


FIG. 23

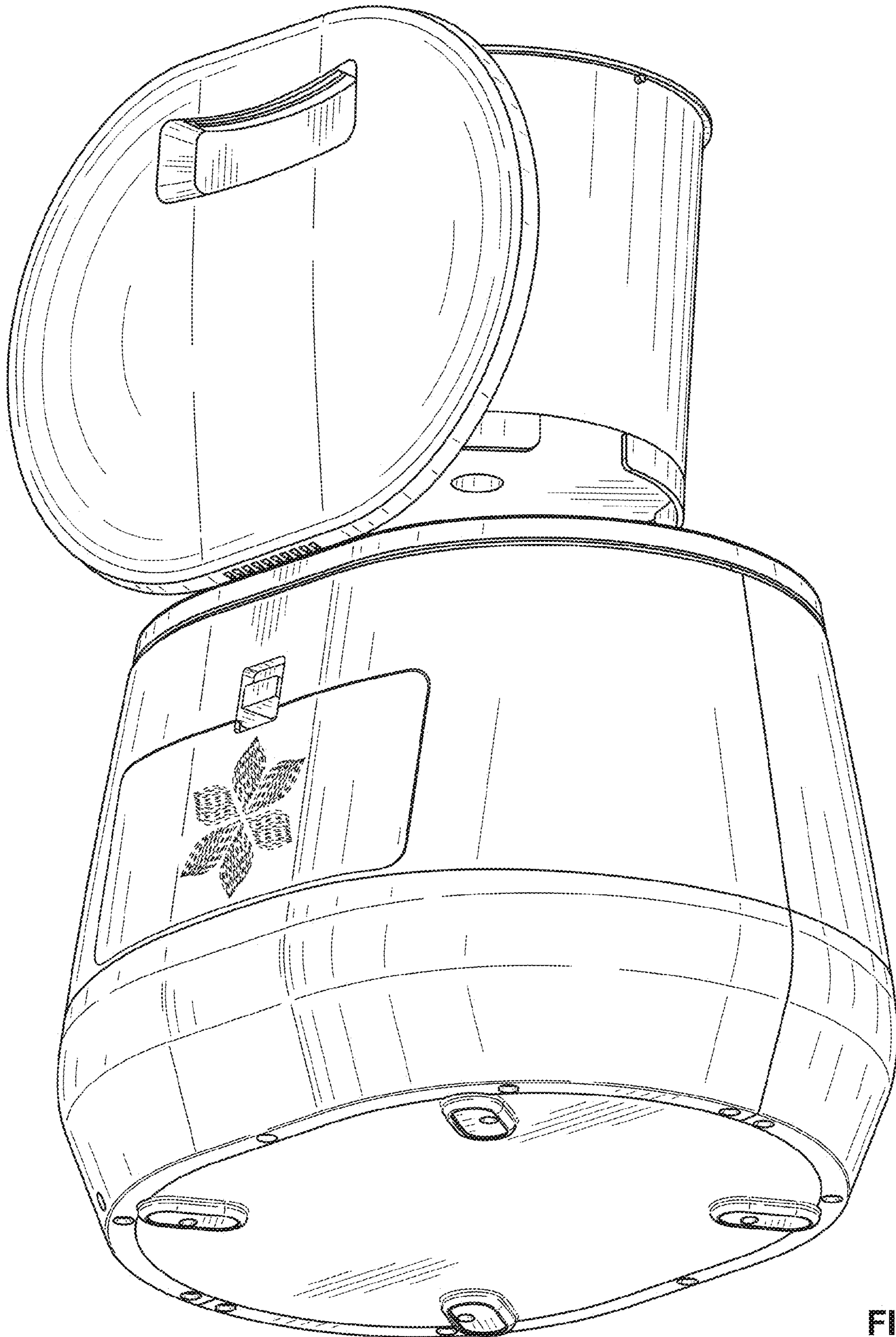


FIG. 24

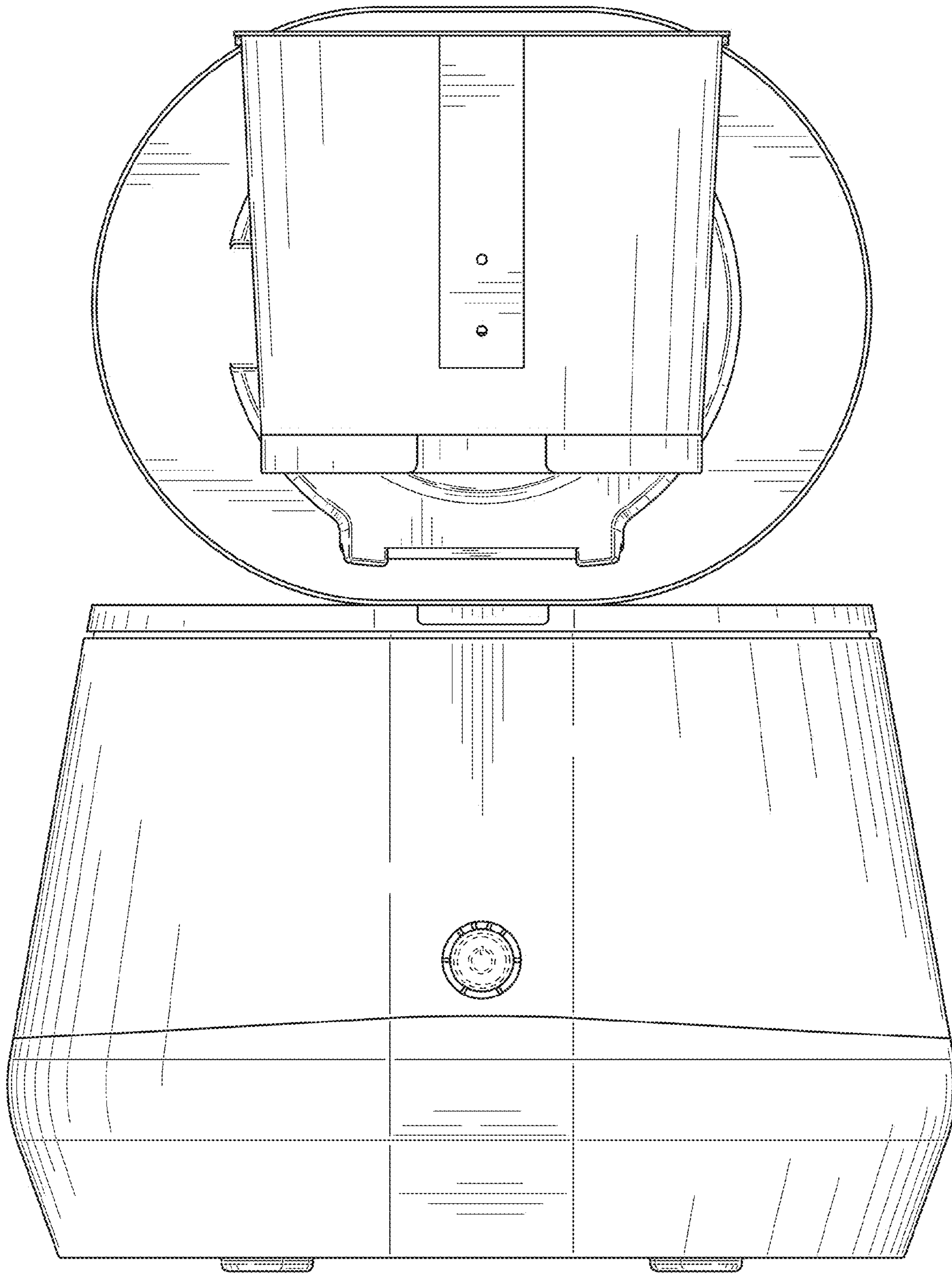


FIG. 25

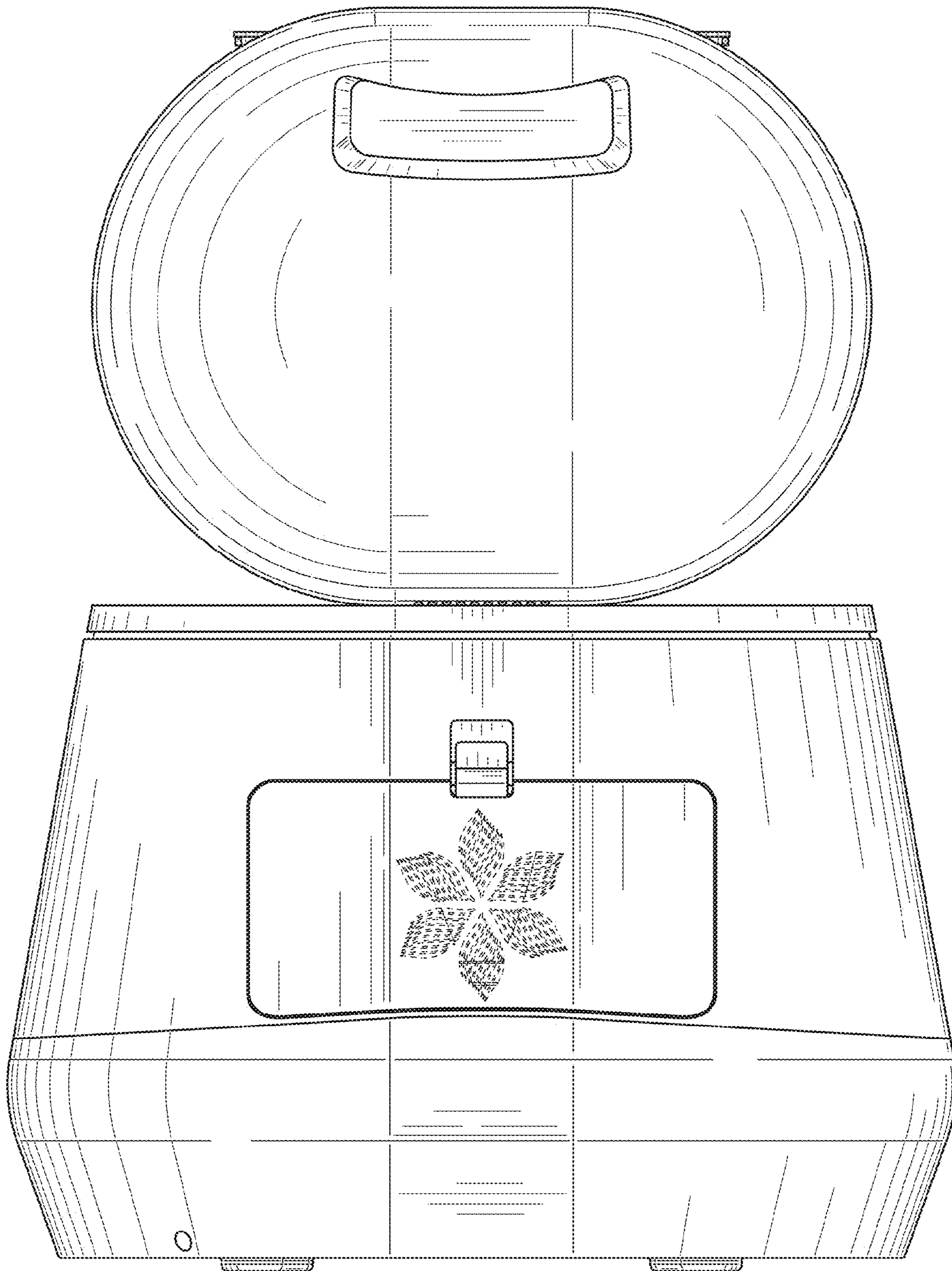


FIG. 26

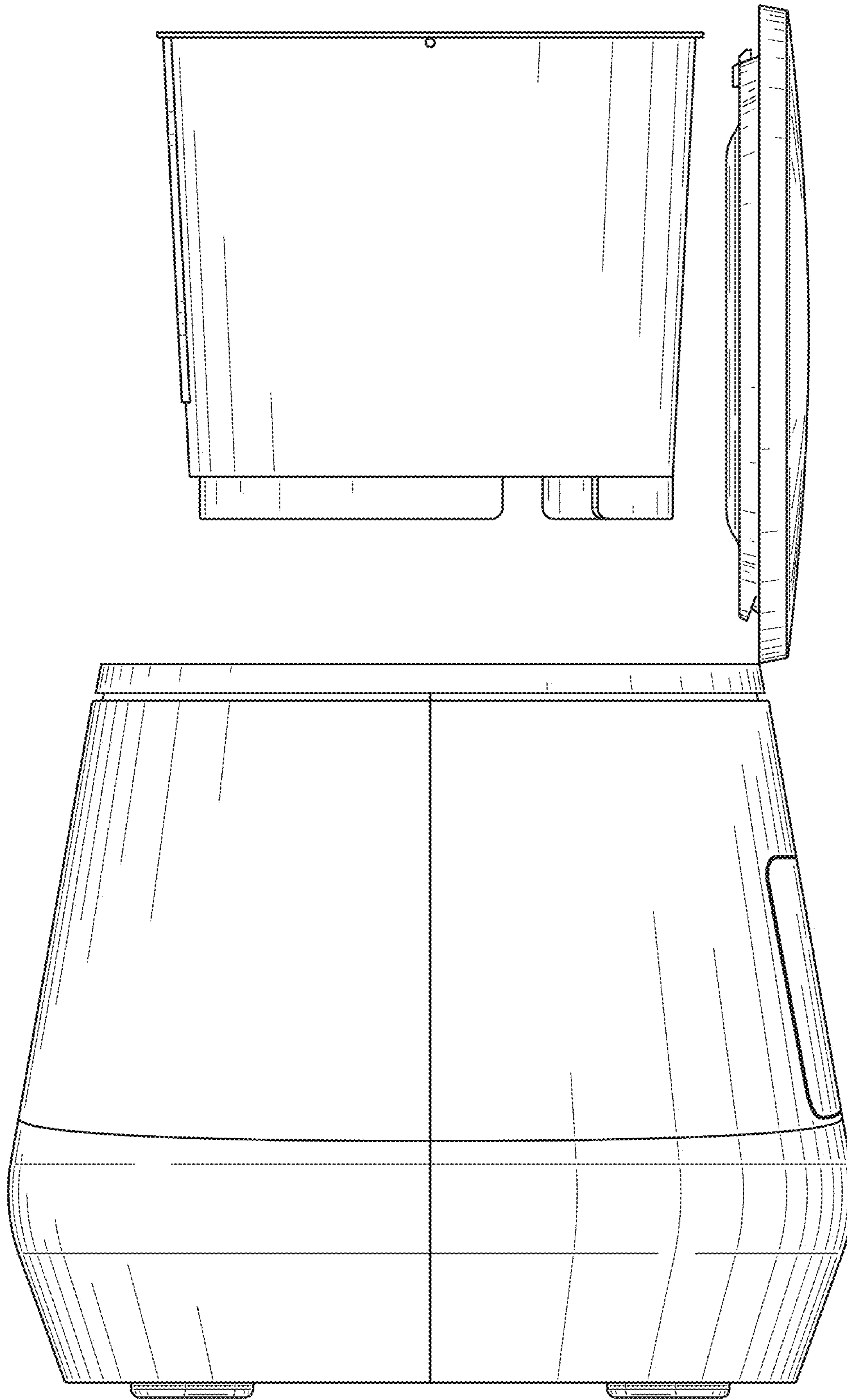


FIG. 27

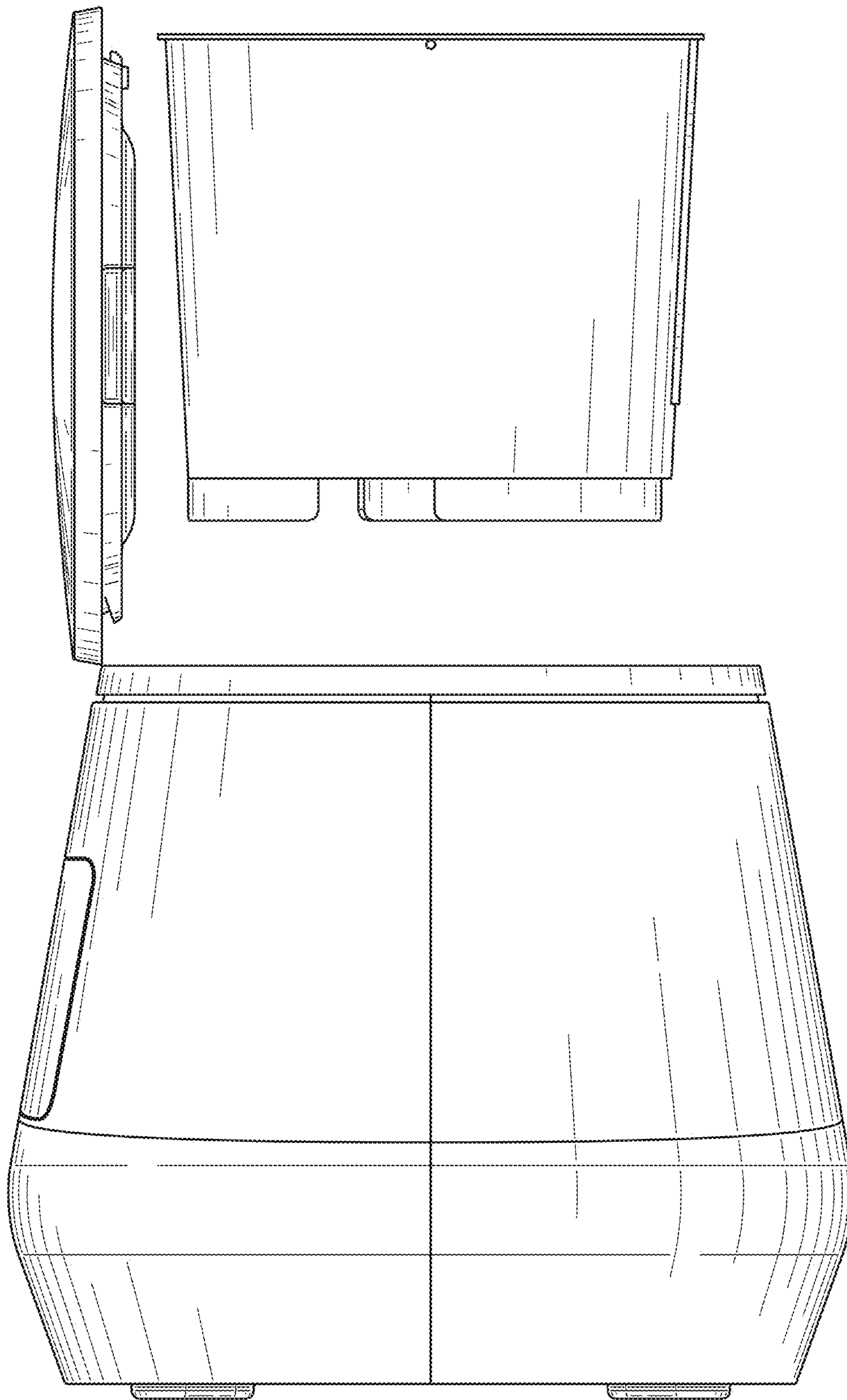


FIG. 28

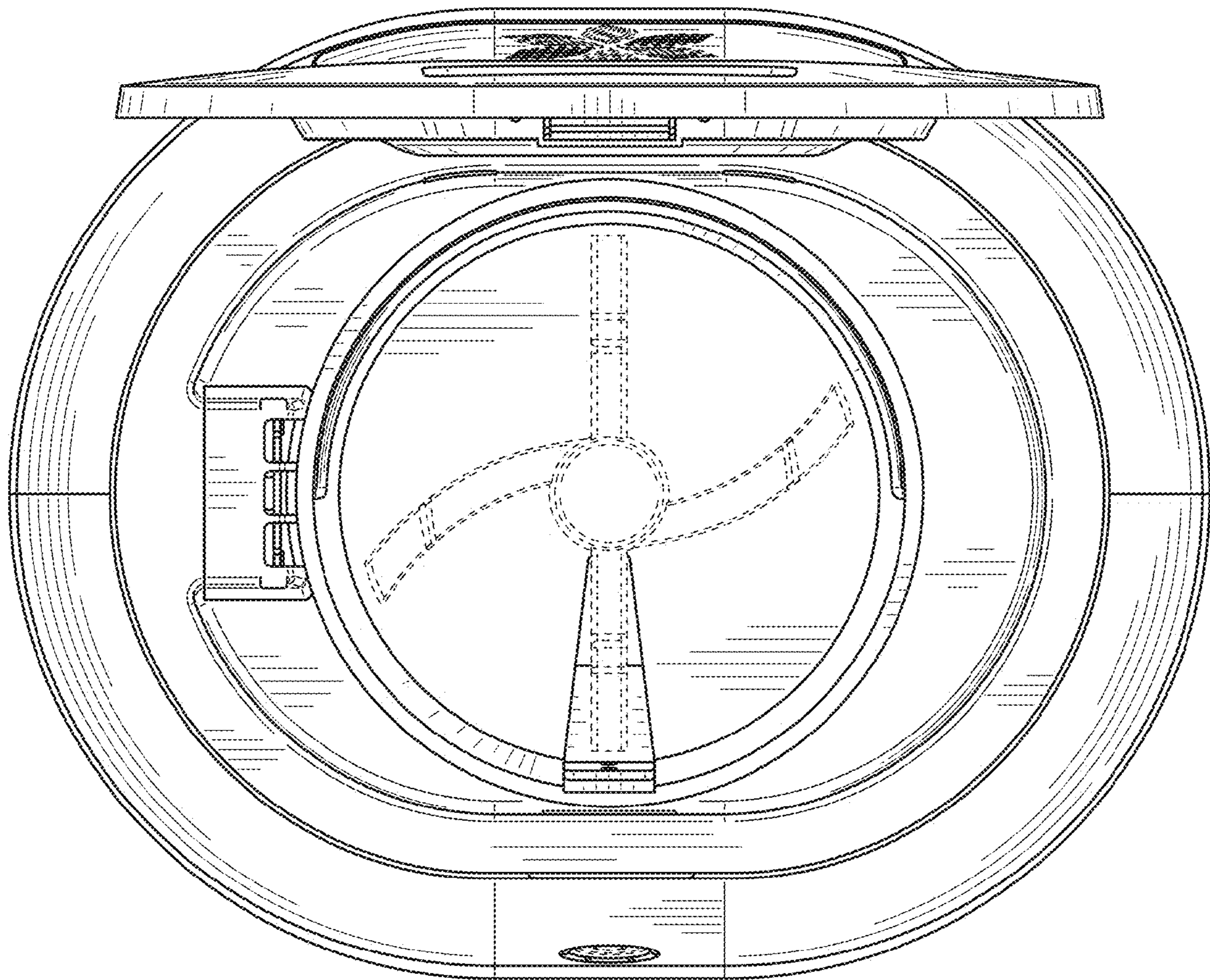


FIG. 29

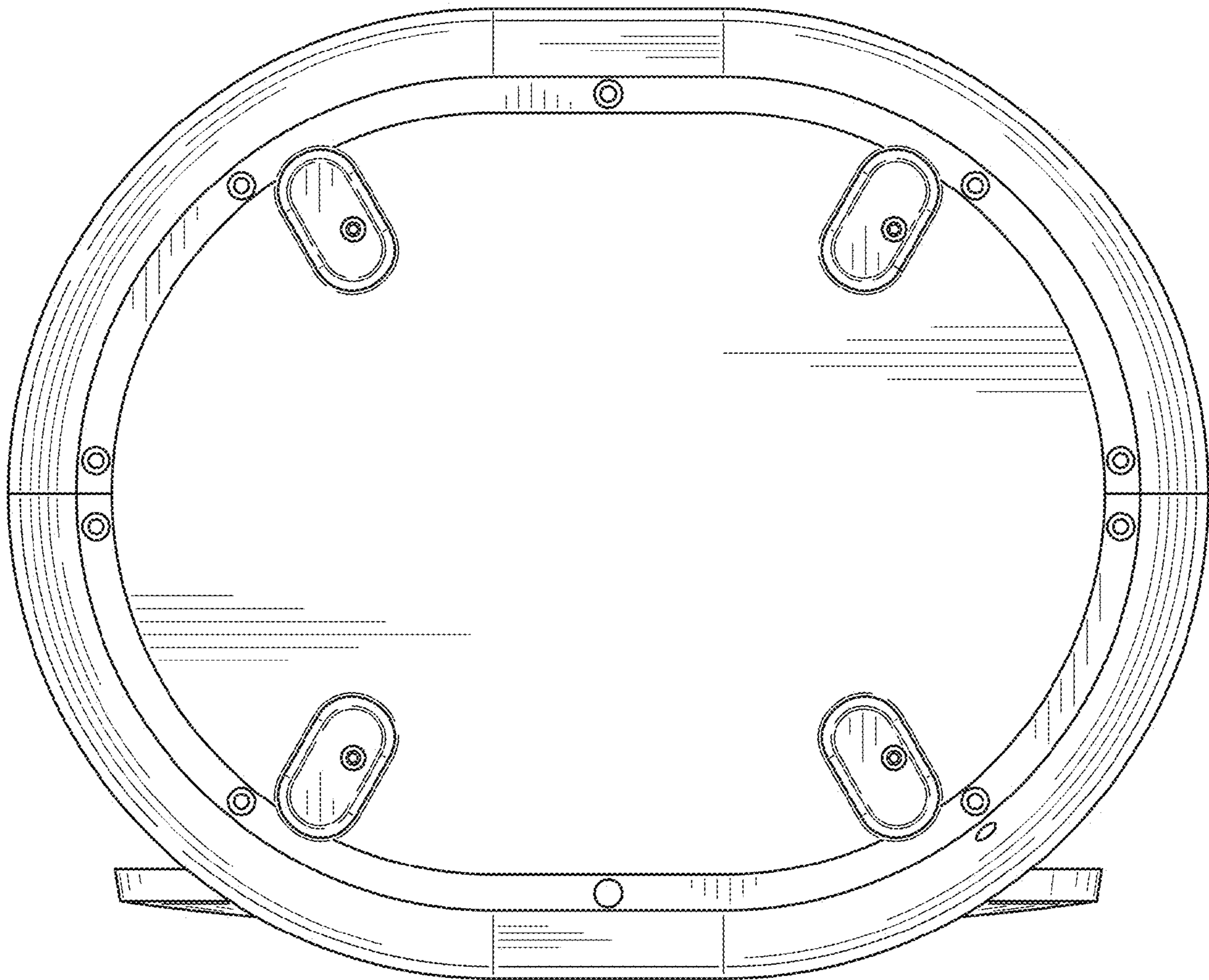


FIG. 30