

US00D966641S

(12) **United States Design Patent**
Staaecker

(10) **Patent No.:** **US D966,641 S**

(45) **Date of Patent:** **** Oct. 11, 2022**

(54) **PAINT CAN HOLDER**

(71) Applicant: **Albert Staaecker**, Lakewood, OH
(US)

(72) Inventor: **Albert Staaecker**, Lakewood, OH
(US)

(**) Term: **15 Years**

(21) Appl. No.: **29/816,257**

(22) Filed: **Nov. 19, 2021**

(51) **LOC (13) Cl.** **07-05**

(52) **U.S. Cl.**
USPC **D32/54; D32/53**

(58) **Field of Classification Search**
USPC D8/356, 394, 396; D32/53, 53.1, 54
CPC . B44D 3/14; B44D 3/12; B44D 3/123; B65D
90/12

See application file for complete search history.

(56) **References Cited**

U.S. PATENT DOCUMENTS

2,685,992	A *	8/1954	Cornell	B65D 25/22 220/904
2,774,510	A *	12/1956	Logan	B44D 3/14 220/759
3,980,264	A *	9/1976	Tomasik	E06C 7/14 248/912
D252,441	S *	7/1979	Allen	D34/6
D253,079	S *	10/1979	Hill	D6/552
4,256,281	A *	3/1981	Harris	B60N 3/103 248/315
4,560,127	A *	12/1985	Ippolito	E06C 7/14 248/210
4,591,119	A *	5/1986	Kraus	F16L 3/13 248/74.2
D353,242	S *	12/1994	McCoy, Sr.	D32/54
5,395,081	A *	3/1995	Vollink	A47G 7/044 248/217.1
6,390,427	B1 *	5/2002	McConnell	B60N 3/107 248/228.3

D517,901	S *	3/2006	Carpenter	D8/356
D598,710	S *	8/2009	Griffith	D7/412
D740,618	S *	10/2015	Knoll	D7/622
9,174,799	B2 *	11/2015	Virgen	B65D 90/12
D792,104	S *	7/2017	Candell	D3/316
10,278,527	B2 *	5/2019	Hayward	A47G 23/0225

(Continued)

OTHER PUBLICATIONS

grainger. com spray can holder <https://www.grainger.com/product/5TPH2> (Year: 2022).*

Primary Examiner — Michelle E. Wilson

Assistant Examiner — Richard E Yenchsky

(74) *Attorney, Agent, or Firm* — Sean Mellino

(57) **CLAIM**

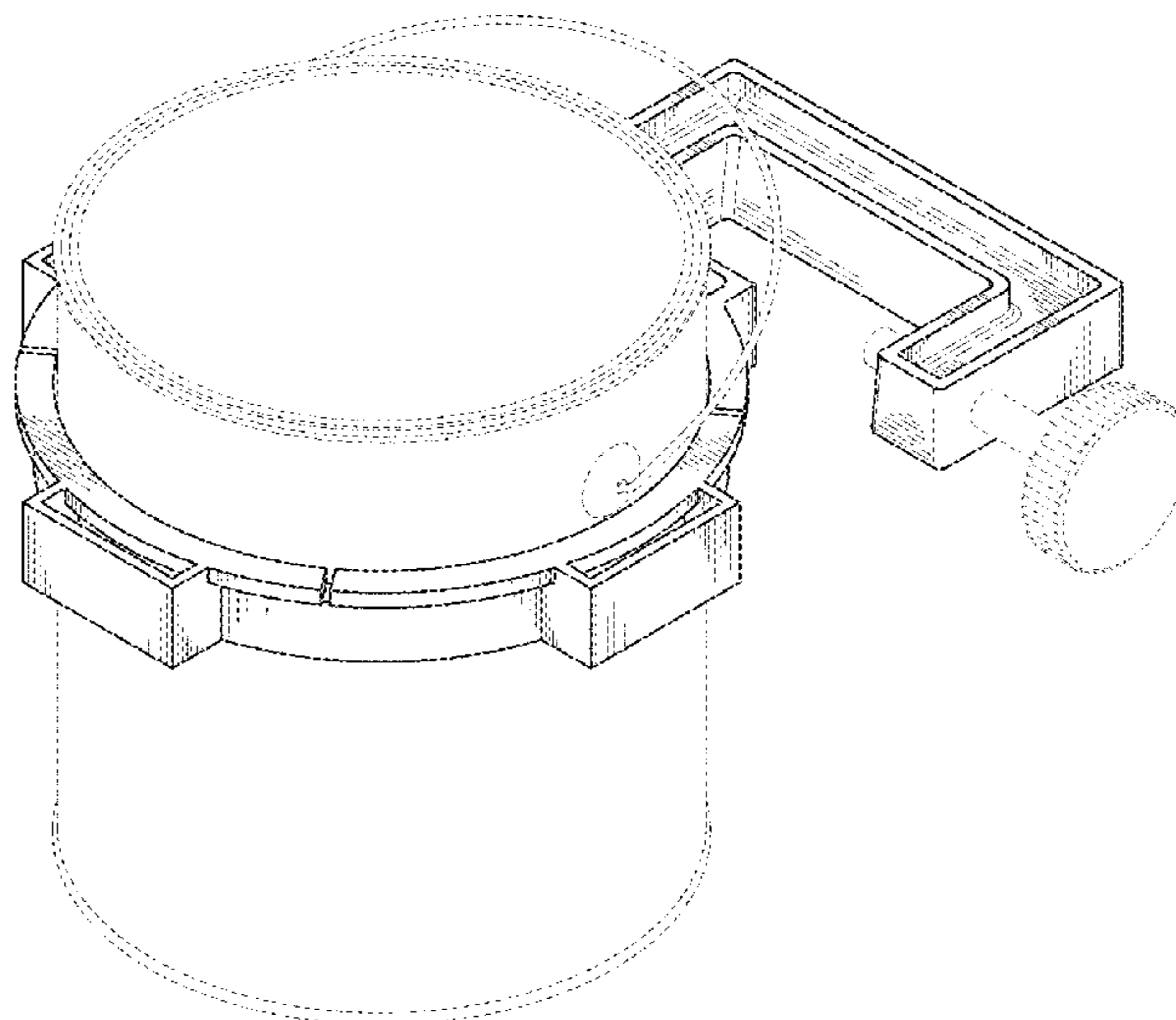
The ornamental design for a paint can holder, as shown and described.

DESCRIPTION

FIG. 1 is a perspective view of a paint can holder;
FIG. 2 is a top perspective view thereof;
FIG. 3 is bottom perspective view thereof;
FIG. 4 is a top view thereof;
FIG. 5 is a bottom view thereof;
FIG. 6 is a left side view thereof;
FIG. 7 is a right side view thereof;
FIG. 8 is a profile view thereof;
FIG. 9 is a back-side view thereof;
FIG. 10 is a second embodiment perspective view of a paint can having a diameter less than that of the paint can holder and a spacing insert; and,
FIG. 11 is a second embodiment perspective view of a spacing insert to support a paint can of a diameter less than that of the paint can holder.

The broken lines are for the purpose of showing portions of the paint can holder insert, and form no part of the claimed design.

1 Claim, 5 Drawing Sheets



(56)

References Cited

U.S. PATENT DOCUMENTS

2005/0045780 A1* 3/2005 Forshee B44D 3/14
248/146
2006/0065668 A1* 3/2006 Whitaker B44D 3/123
220/737
2006/0255233 A1* 11/2006 Wawerski E06C 7/14
248/689
2008/0054030 A1* 3/2008 Diaz B44D 3/14
248/314
2017/0191312 A1* 7/2017 Durbin, Jr. E06C 7/143
2019/0351698 A1* 11/2019 Hughes B44D 3/14
2021/0237503 A1* 8/2021 Fokas B44D 3/12

* cited by examiner

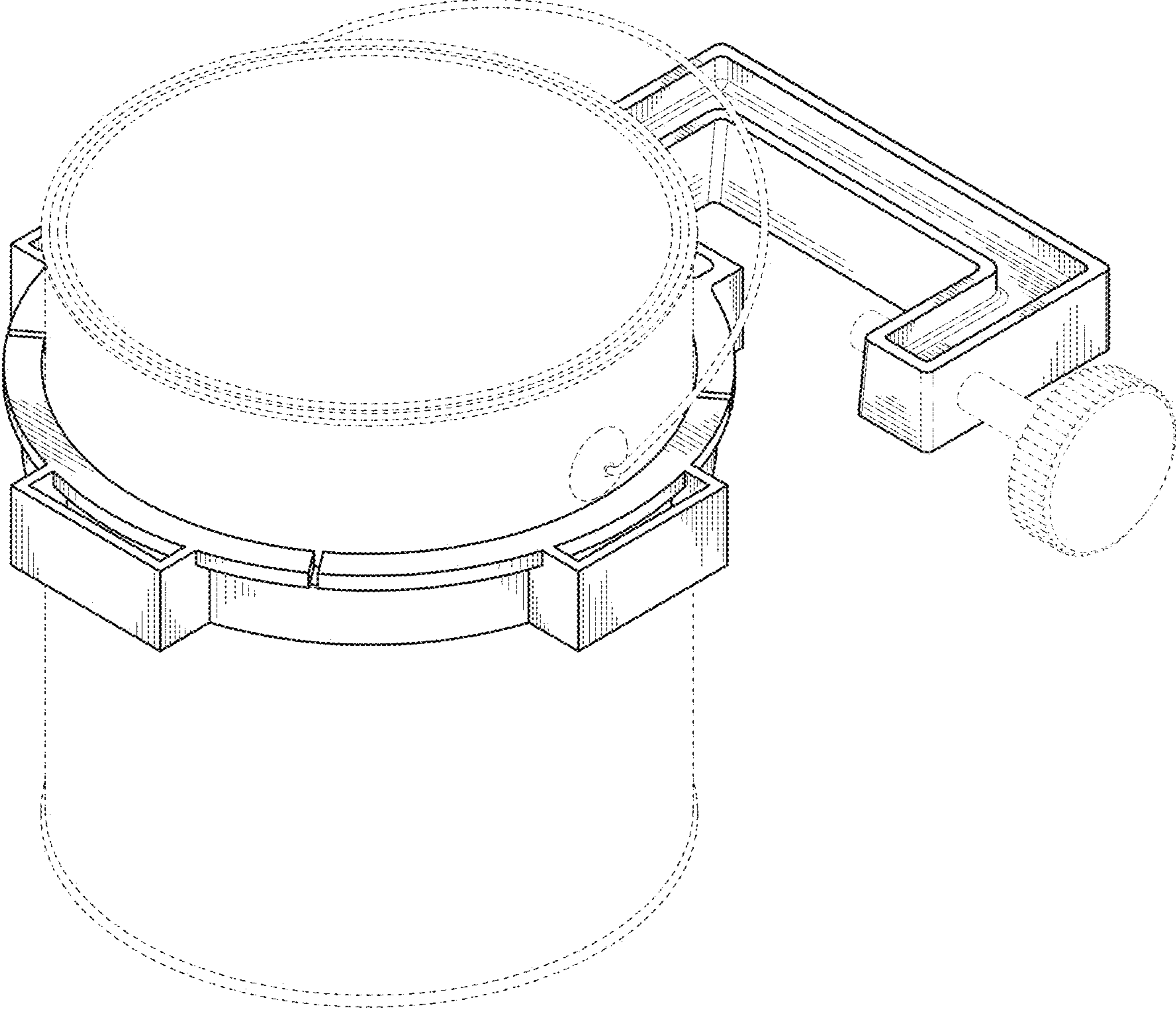


Fig. 1

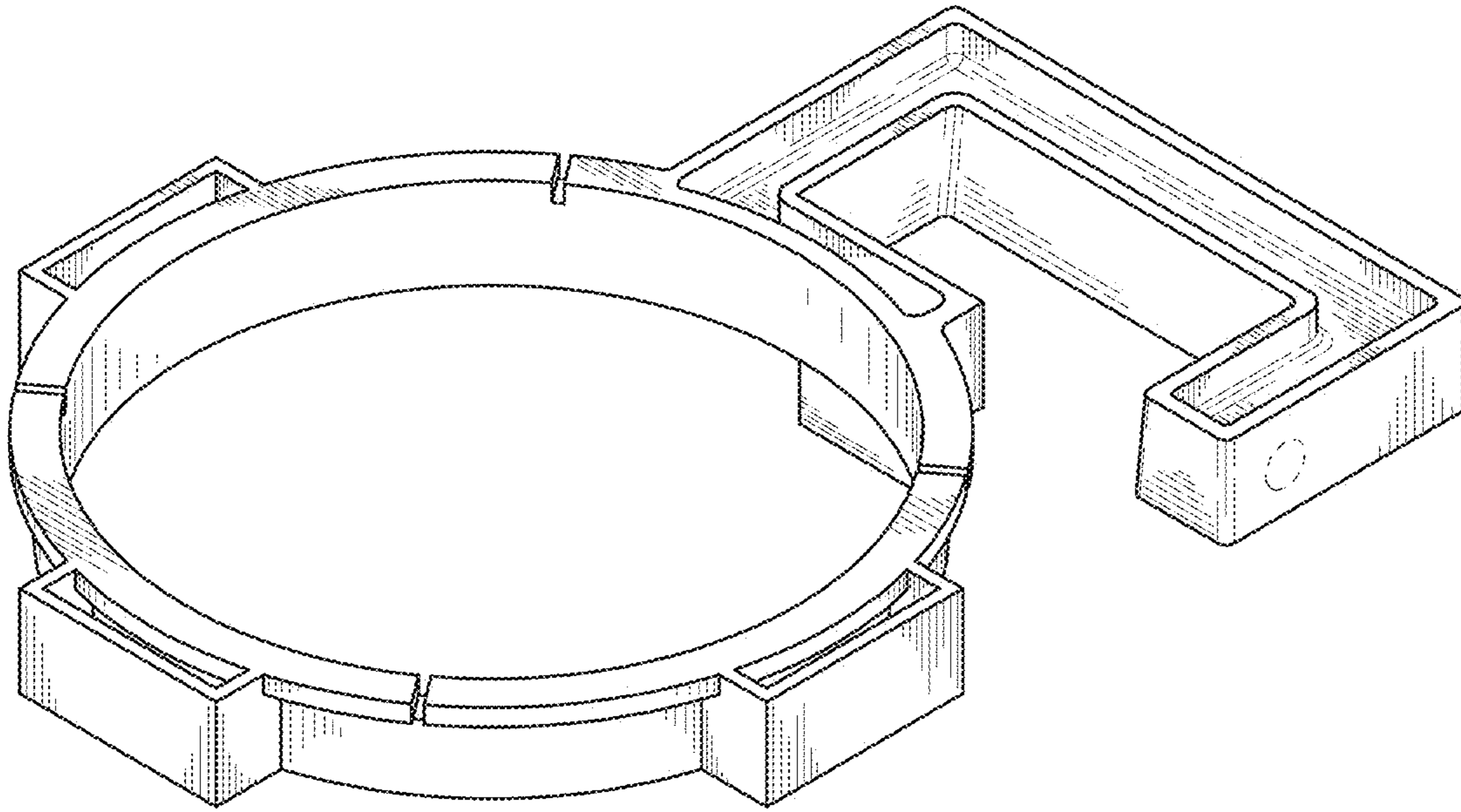


Fig. 2

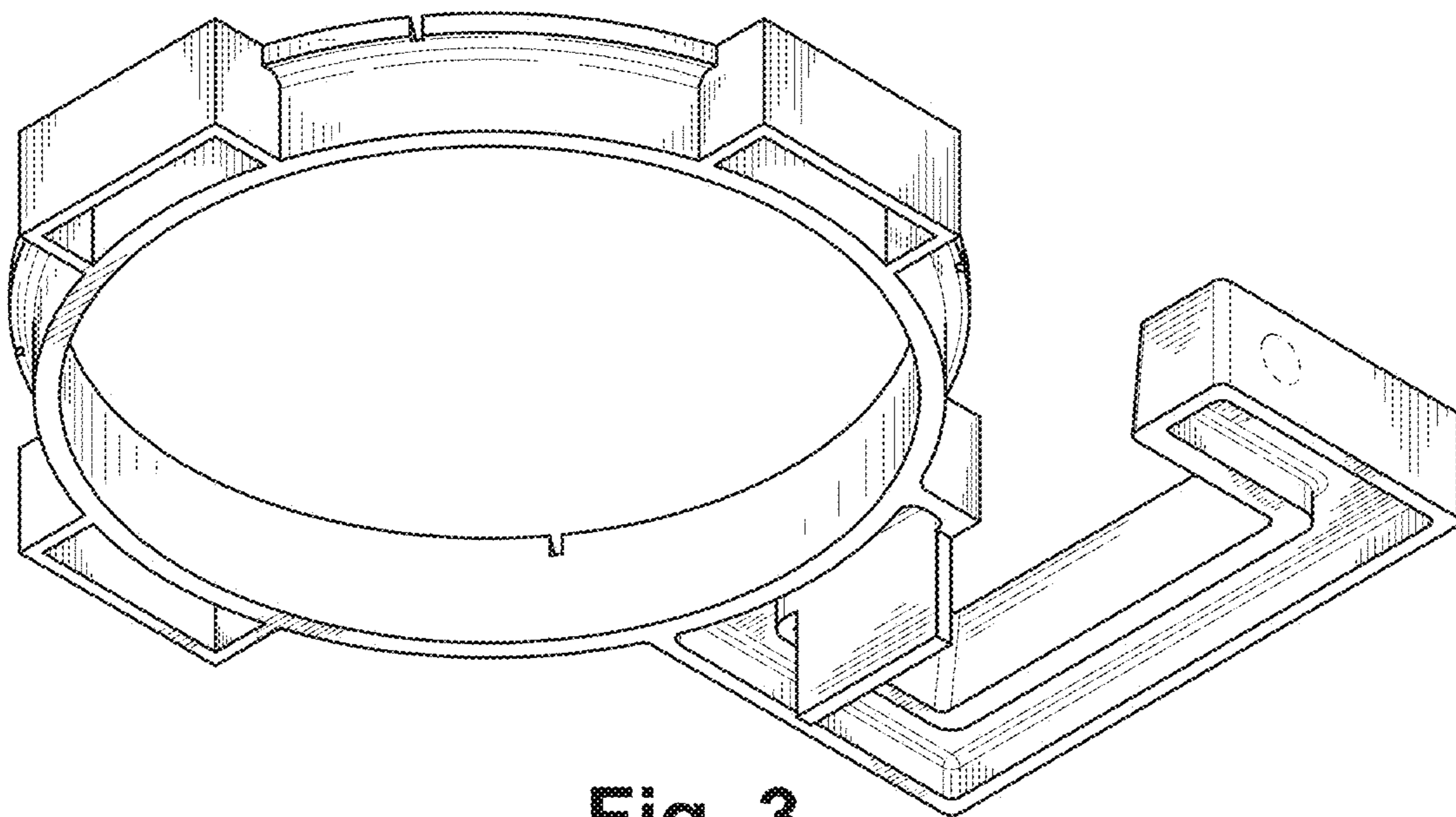


Fig. 3

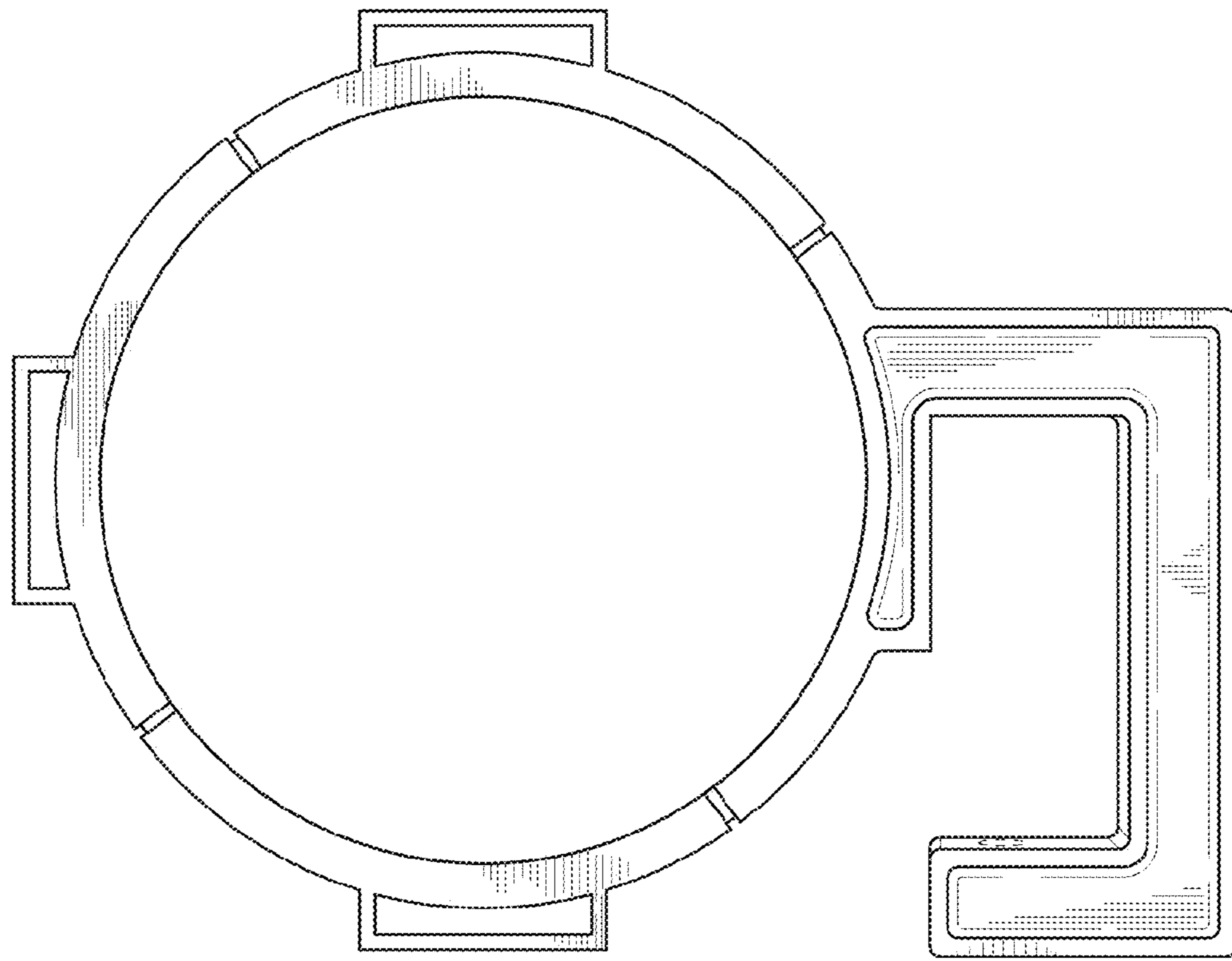


Fig. 4

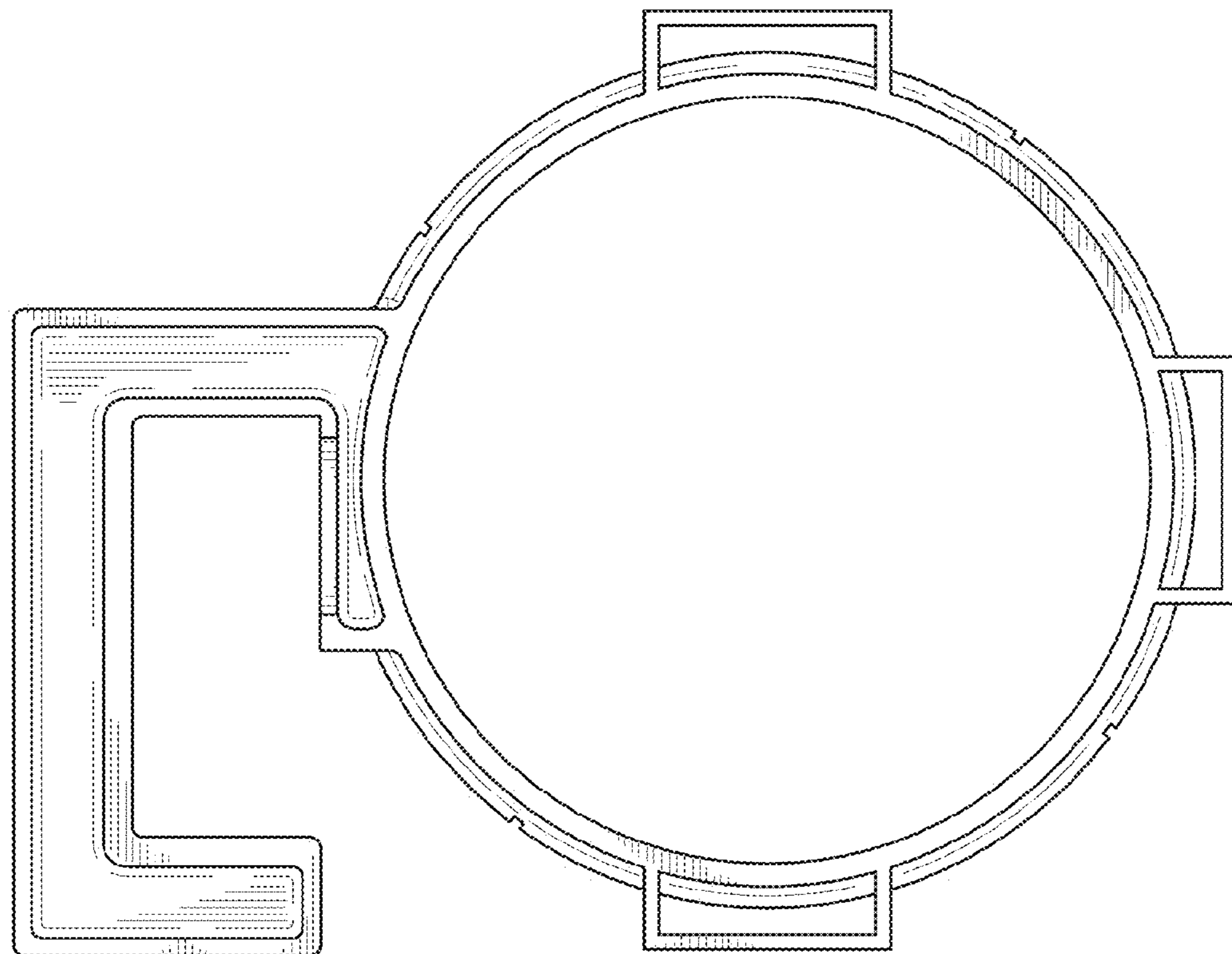


Fig. 5

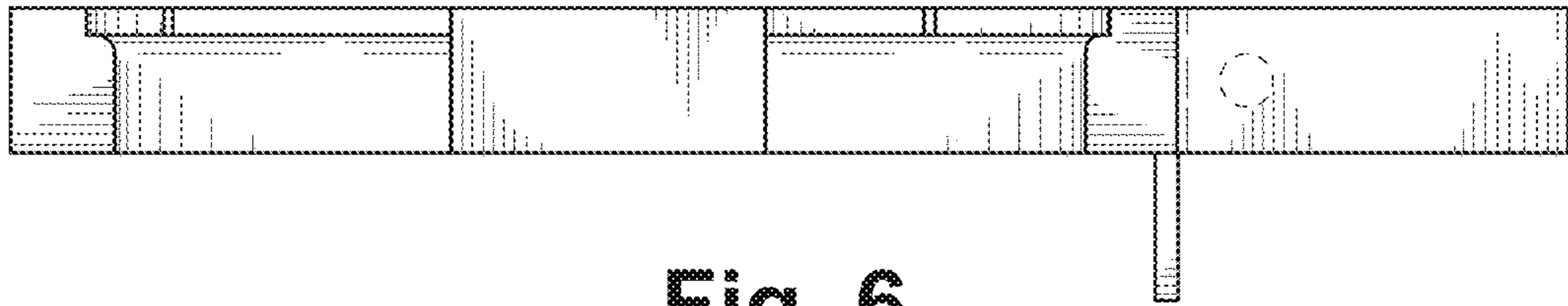


Fig. 6

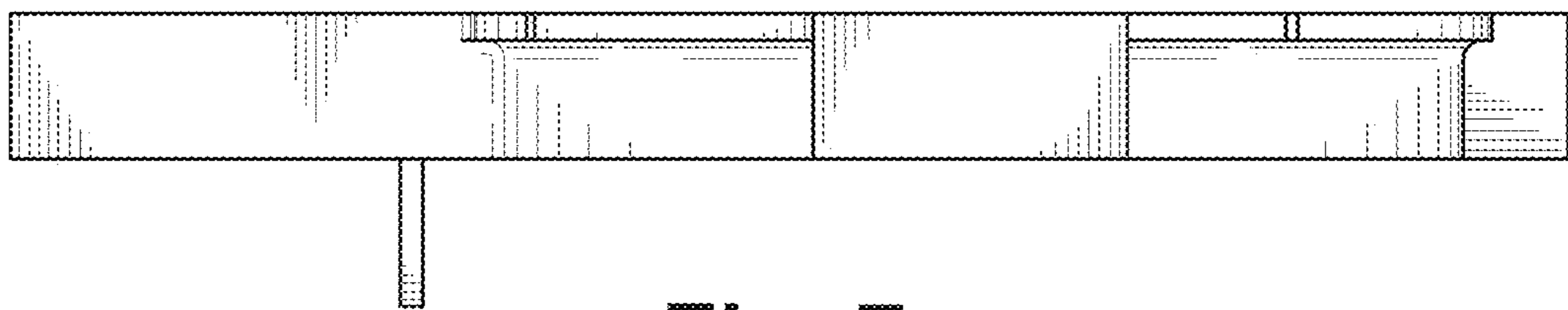


Fig. 7

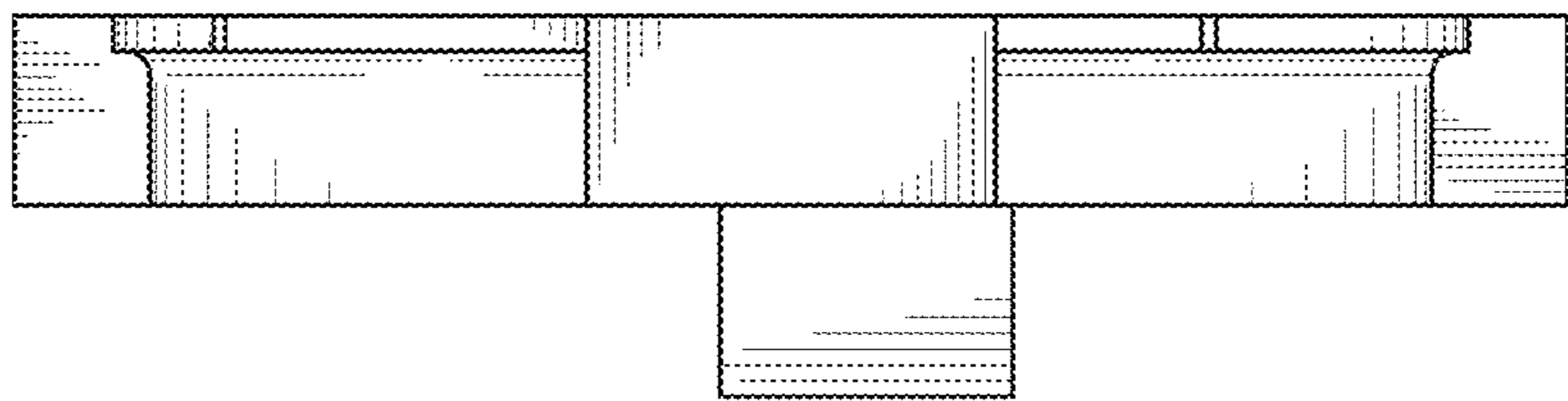


Fig. 8

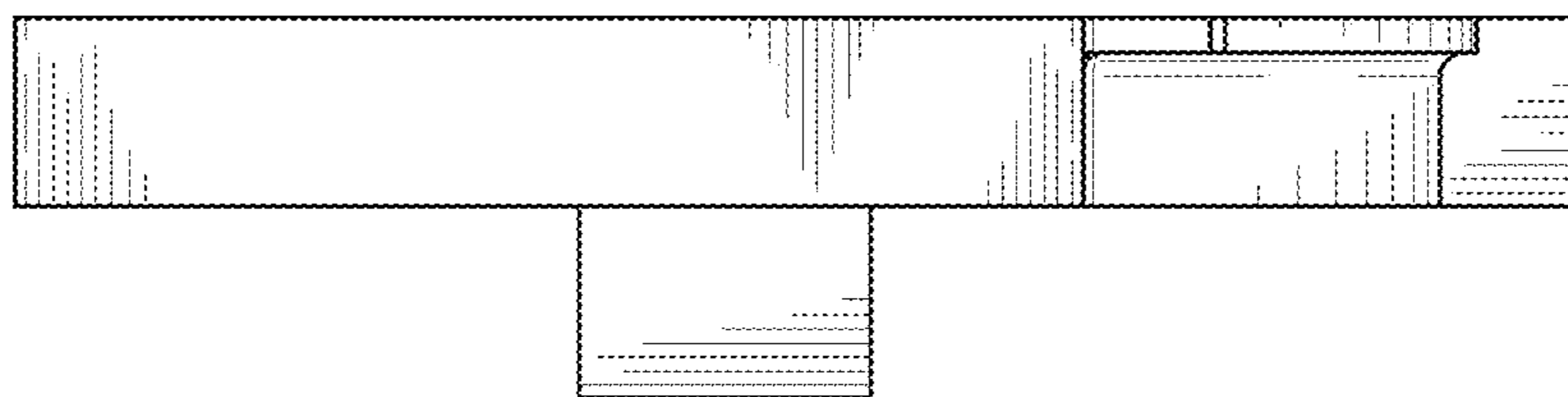


Fig. 9

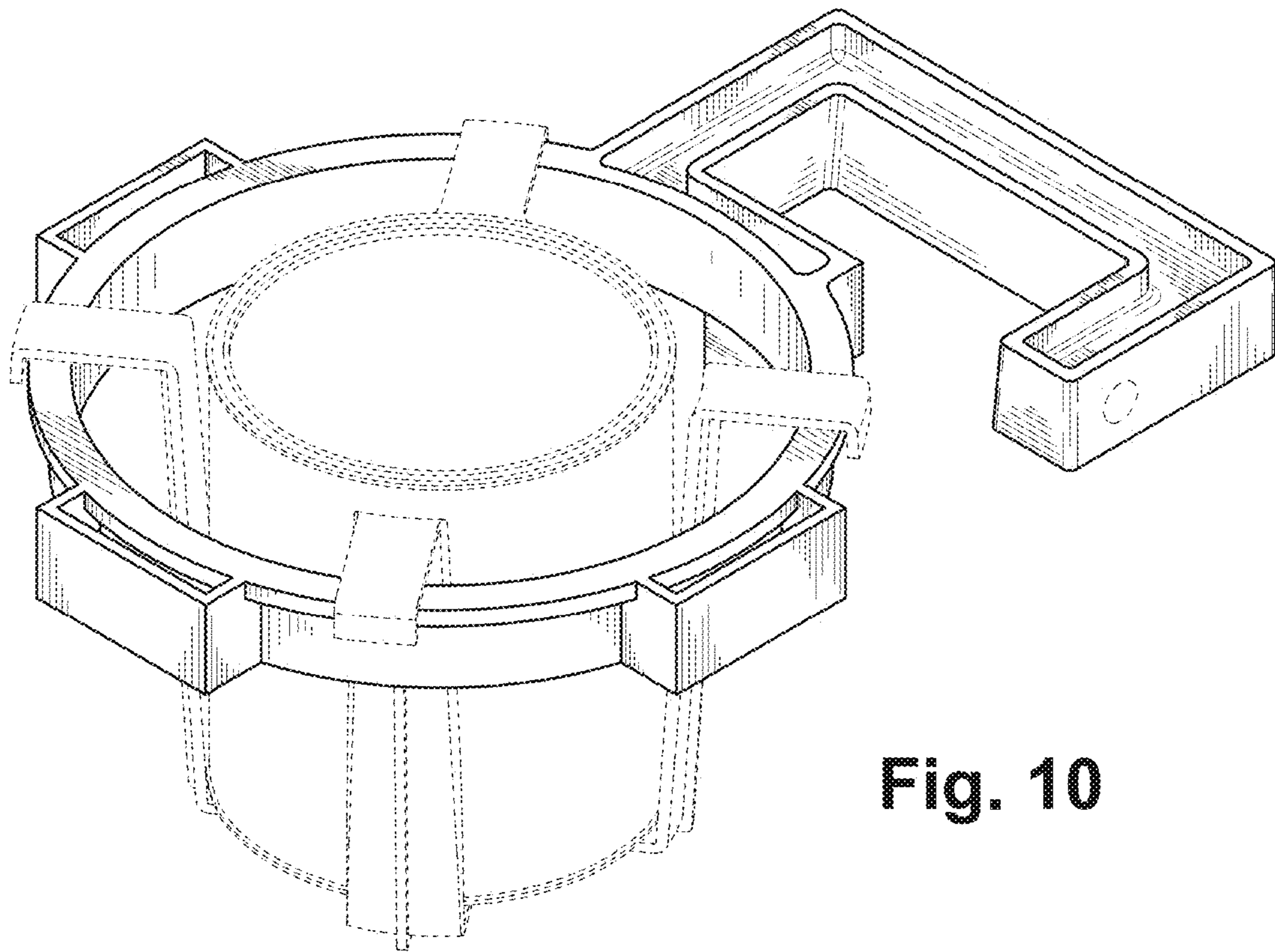


Fig. 10

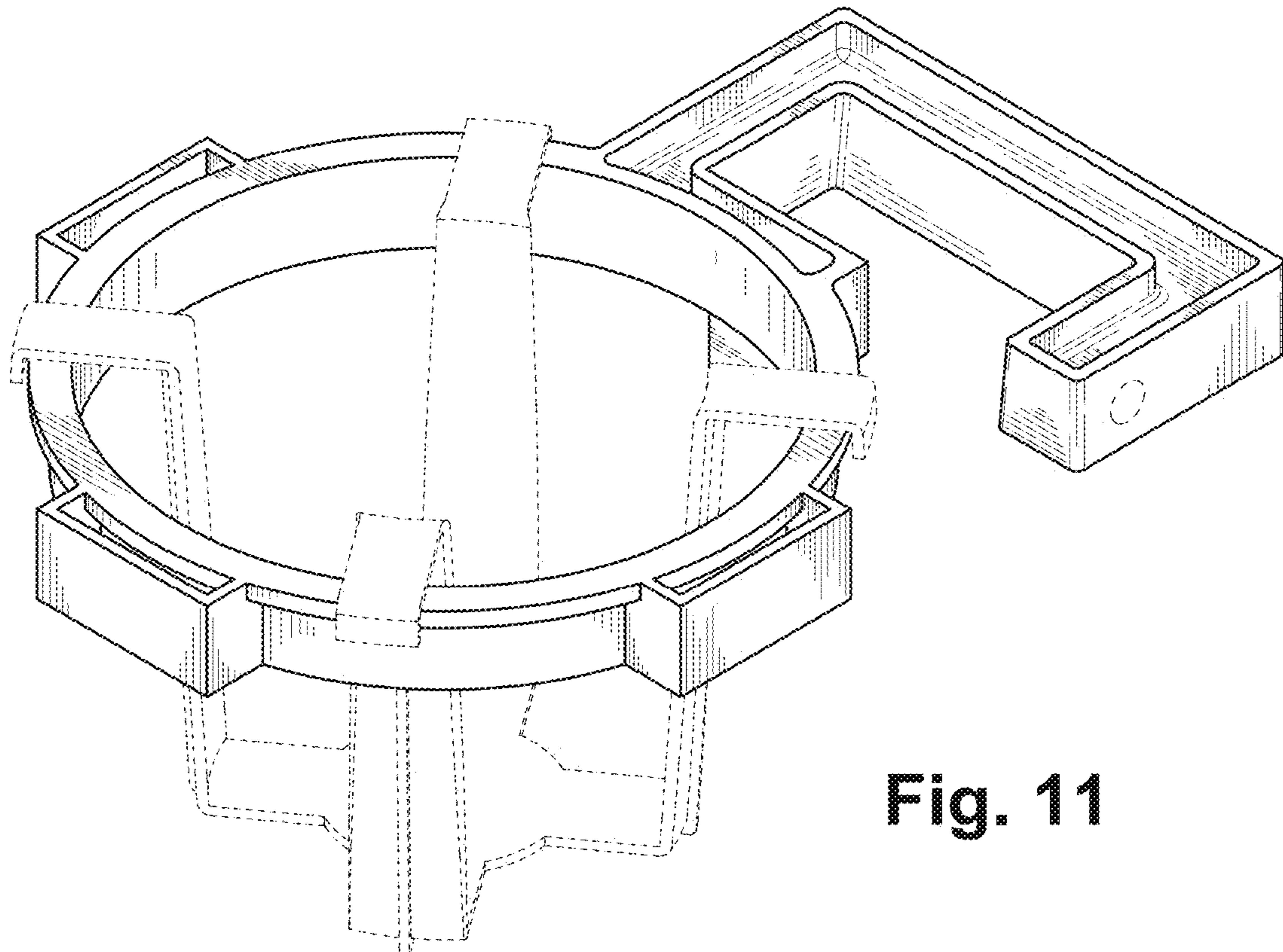


Fig. 11