



US00D966640S

(12) **United States Design Patent** (10) **Patent No.:** **US D966,640 S**
Ge (45) **Date of Patent:** **** Oct. 11, 2022**

(54) **SPIN SCRUBBER**

FOREIGN PATENT DOCUMENTS

(71) Applicant: **Huilin Ge**, Ningbo (CN)

CN 206414235 U * 8/2017

(72) Inventor: **Huilin Ge**, Ningbo (CN)

OTHER PUBLICATIONS

(**) Term: **15 Years**

amazon.com Geniani Electric Spin Scrubber <https://www.amazon.com/GENIANI-Electric-Spin-Scrubber-Replaceable/dp/B099P134S3?th=1> (Year: 2021).*

(21) Appl. No.: **29/821,979**

(Continued)

(22) Filed: **Jan. 5, 2022**

(51) **LOC (13) Cl.** **07-05**

Primary Examiner — Kevin K Rudzinski

(52) **U.S. Cl.**

Assistant Examiner — Richard E Yenchesky

USPC **D32/51**

(74) *Attorney, Agent, or Firm* — Rumit Ranjit Kanakia

(58) **Field of Classification Search**

USPC D4/100, 109–111, 114–119, 121;
D32/31–34, 40–42, 44, 50–52

CPC A47L 13/24; A47L 13/14; A47L 13/20;
A47L 13/00; A47L 13/258; A63B 5/00;
A63B 5/02; A63B 5/033; A63B 11/00;
A63B 11/0006; A63B 11/0013; A63B
11/06

(57) **CLAIM**

The ornamental design for a spin scrubber, as shown and described.

See application file for complete search history.

DESCRIPTION

(56) **References Cited**

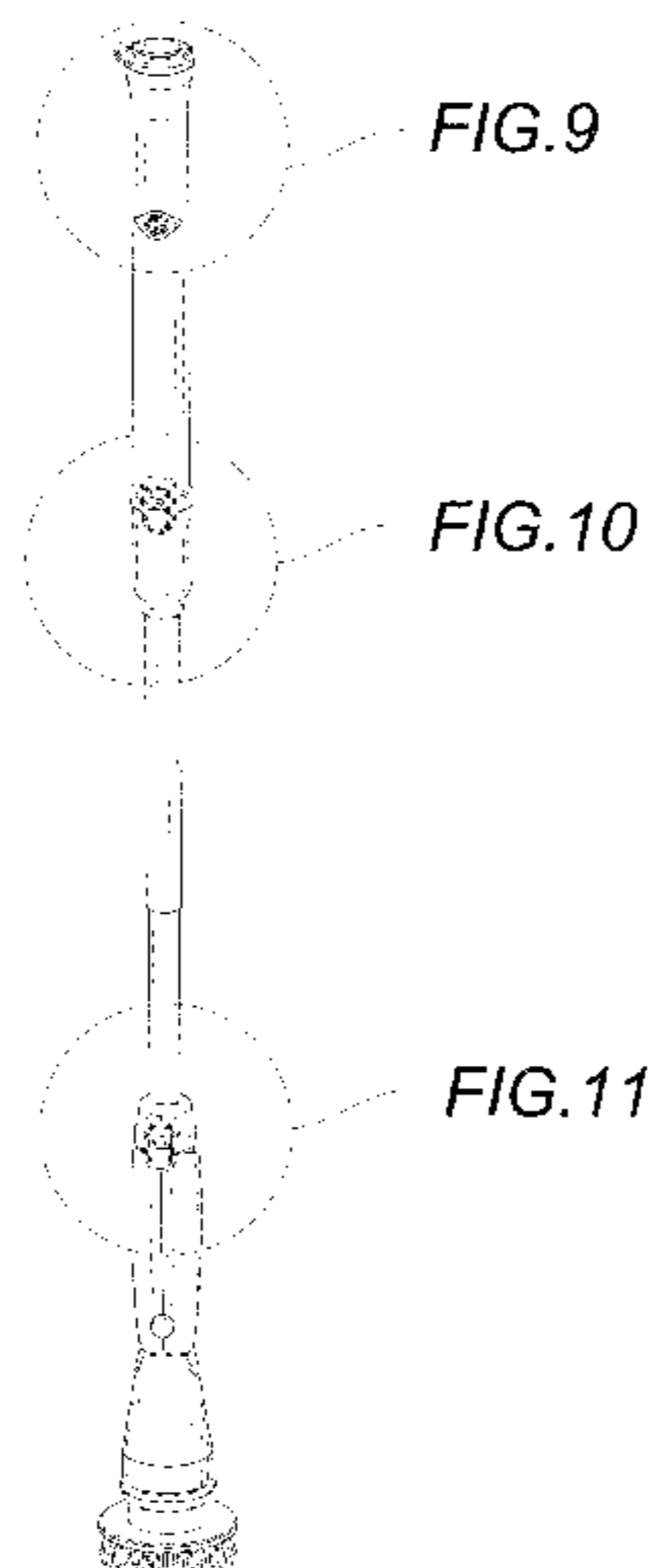
U.S. PATENT DOCUMENTS

D420,775 S	2/2000	Petner	
D461,607 S *	8/2002	Zhang	D32/45
D543,362 S	5/2007	Hall	
D544,161 S	6/2007	Weaver	
D547,017 S	7/2007	Van LANDINGHAM, Jr.	
D559,489 S	1/2008	Li	
D581,675 S	12/2008	Murray	
D597,270 S	7/2009	McNeil	
D685,969 S	7/2013	Smith	
8,959,697 B2 *	2/2015	Yu	B25G 1/04 15/119.1
8,978,194 B1 *	3/2015	Lentine	A47L 13/20 15/260
D765,330 S	8/2016	Lentine	
D825,190 S *	8/2018	Hu	D4/102
D853,670 S *	7/2019	Hu	D32/40
D901,802 S *	11/2020	Taub	D32/40
D905,366 S *	12/2020	Hagee	D32/52

(Continued)

FIG. 1 is a perspective view of a spin scrubber showing my new design;
FIG. 2 is another perspective view thereof;
FIG. 3 is a front elevational view thereof;
FIG. 4 is a rear elevational view thereof;
FIG. 5 is a left elevational view thereof;
FIG. 6 is a right side view thereof;
FIG. 7 is a top side view thereof;
FIG. 8 is a bottom plan view thereof;
FIG. 9 is a partial enlarged view of FIG. 1;
FIG. 10 is a partial enlarged view of FIG. 1;
FIG. 11 is a partial enlarged view of FIG. 1;
FIG. 12 is a partial enlarged view of FIG. 2; and,
FIG. 13 is a partial enlarged view of FIG. 2.
The broken lines in the figures are for the purposes of illustrating portions of the spin scrubber, which form no part of the claimed design.

1 Claim, 10 Drawing Sheets



(56)

References Cited

U.S. PATENT DOCUMENTS

D908,365 S * 1/2021 Liang D32/19
D923,270 S * 6/2021 Rajasekaran D32/19
D927,195 S * 8/2021 Wei D4/132
D955,675 S * 6/2022 Chen D32/50
2016/0206171 A1 * 7/2016 Metzel A47L 13/20
2021/0186295 A1 * 6/2021 Ross A47L 13/11
2022/0133116 A1 * 5/2022 Zhu A47L 13/14
15/119.1

OTHER PUBLICATIONS

Amazon.com_ Labigo Electric Spin Scrubber <https://www.amazon.com/LABIGO-Electric-Replaceable-Adjustable-Extension/dp/B09GBBRJN8> (Year: 2021).*

* cited by examiner

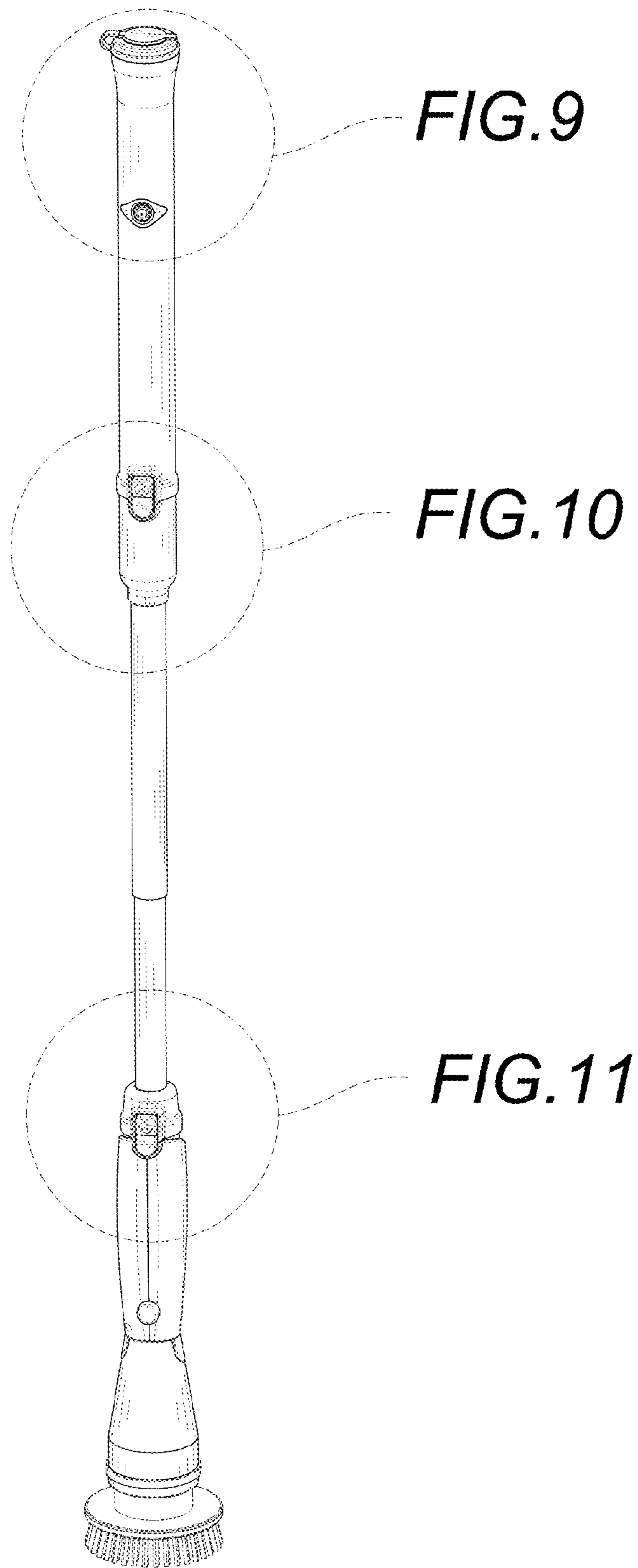


FIG. 1

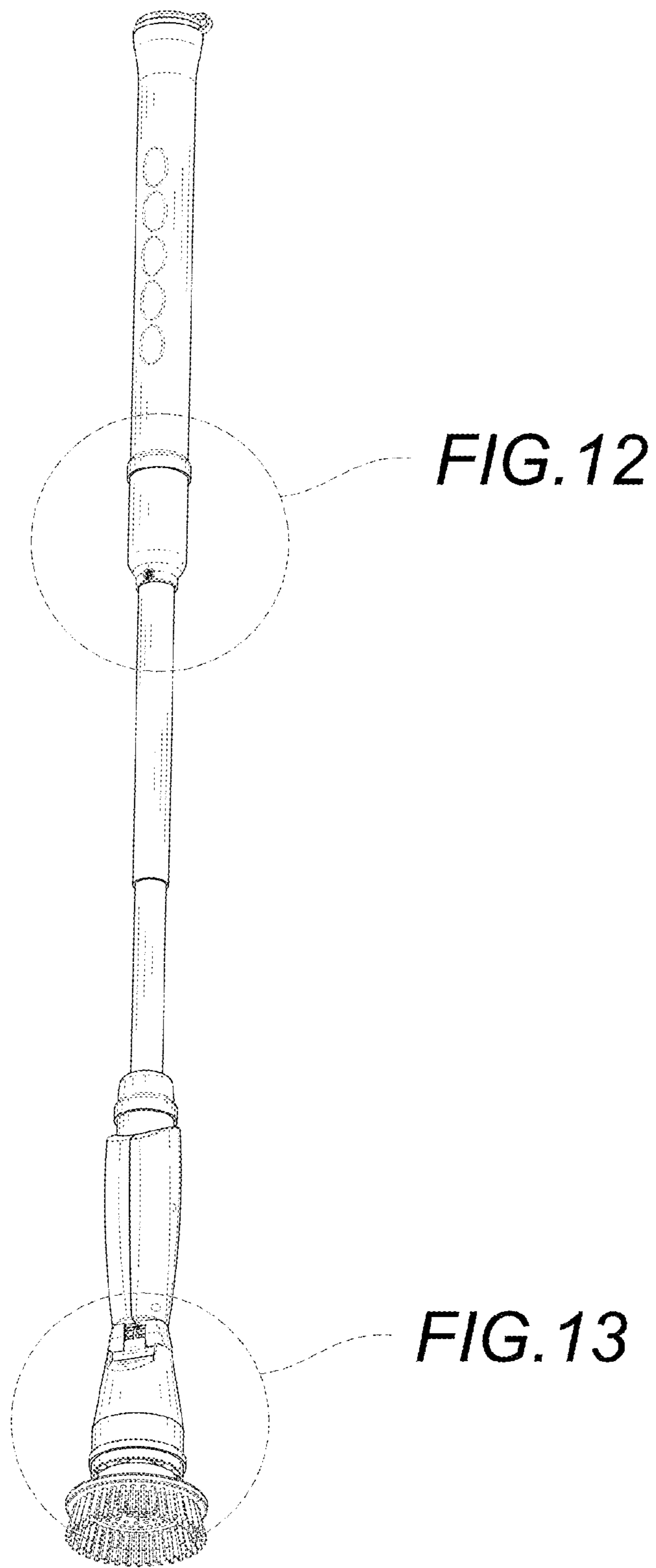


FIG. 2

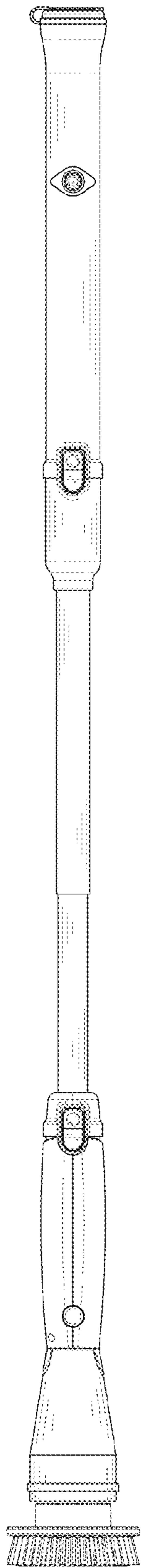


FIG. 3

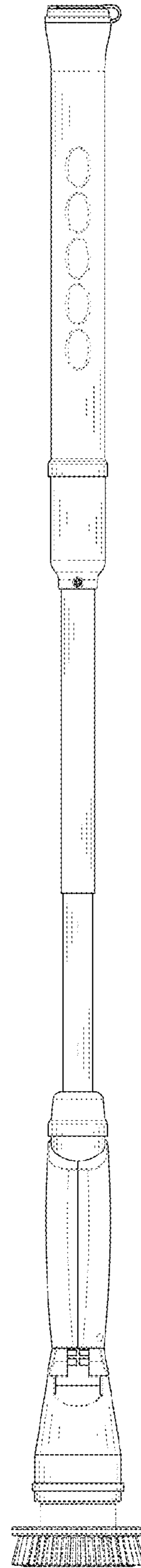


FIG. 4

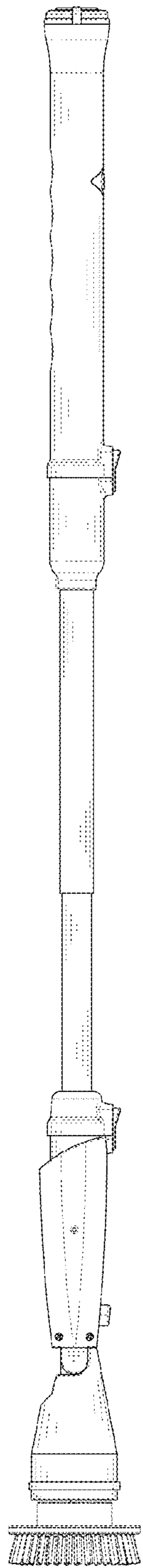


FIG. 5

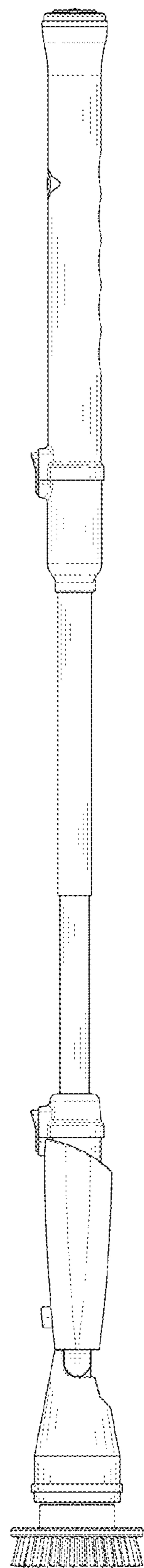


FIG. 6

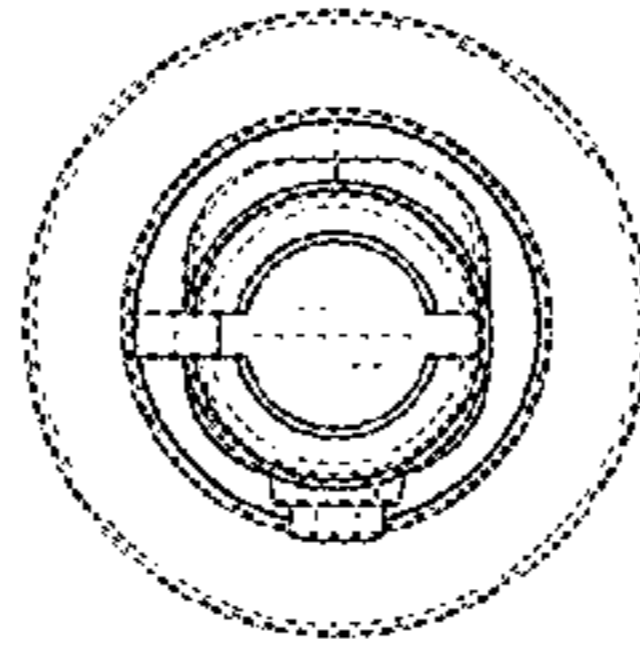


FIG. 7

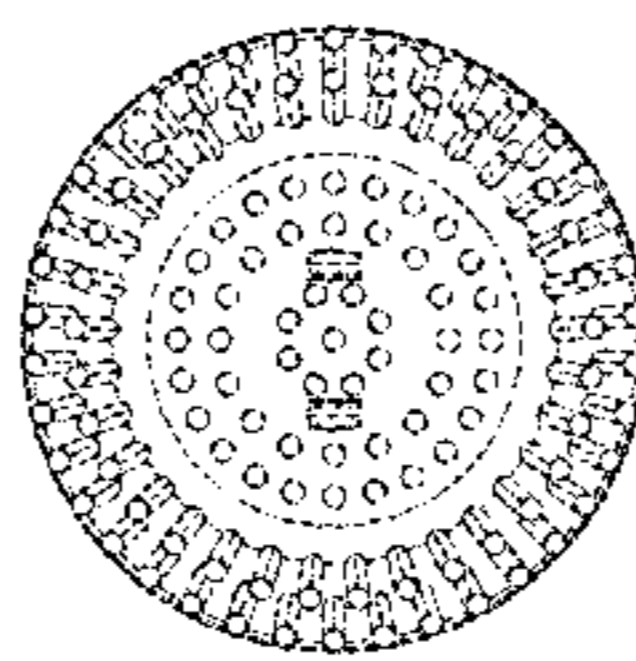


FIG. 8

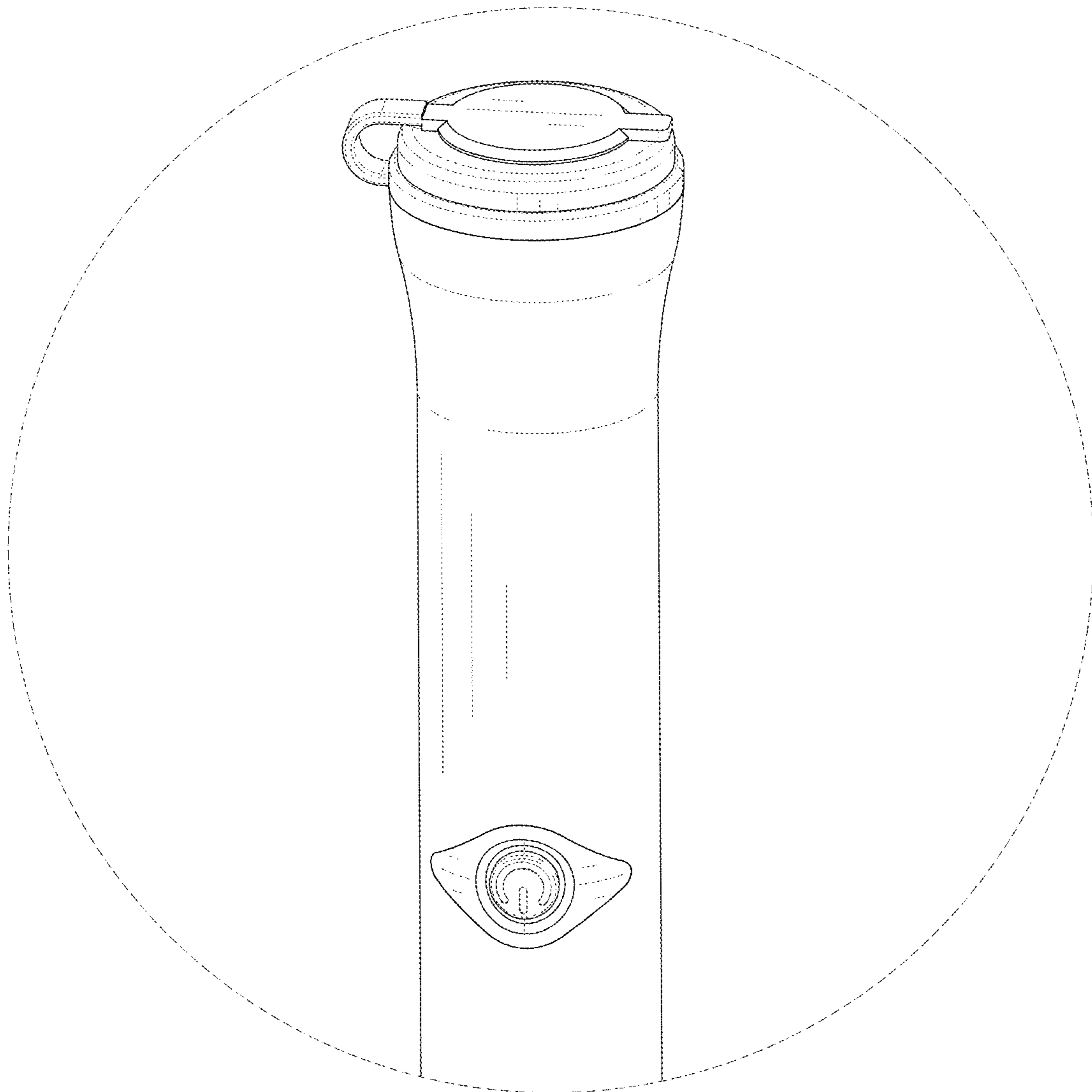


FIG. 9

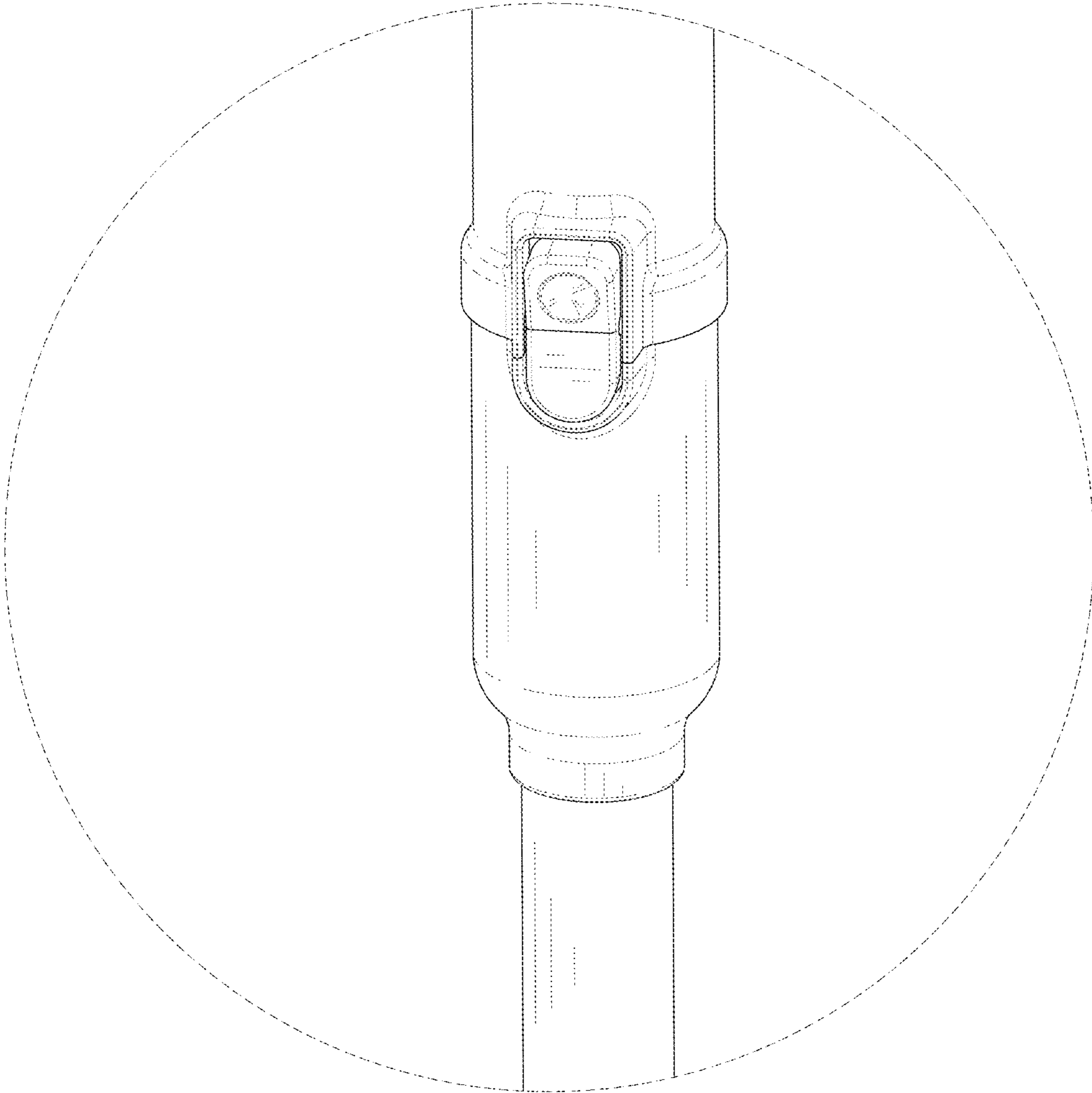


FIG. 10

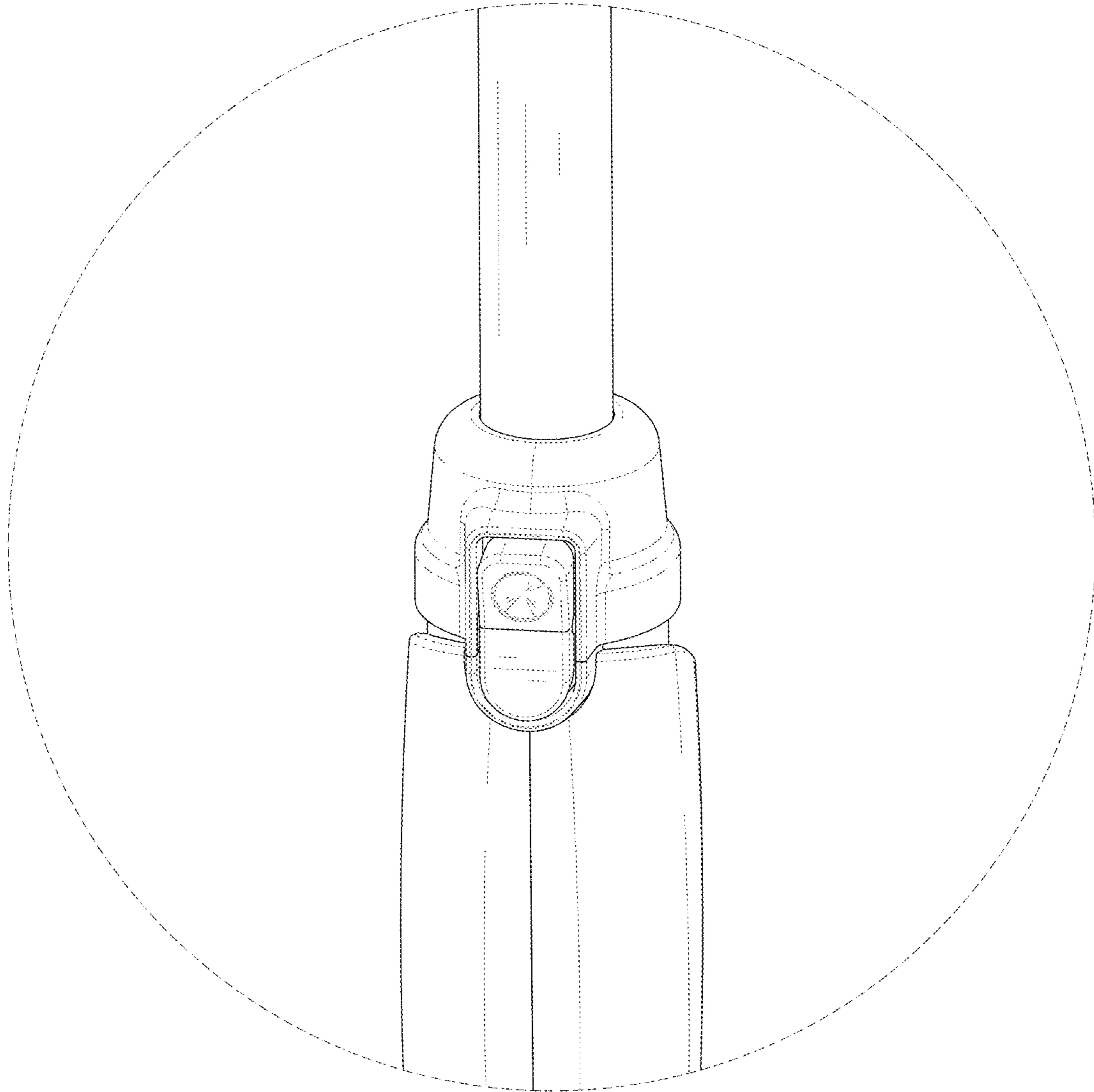


FIG. 11

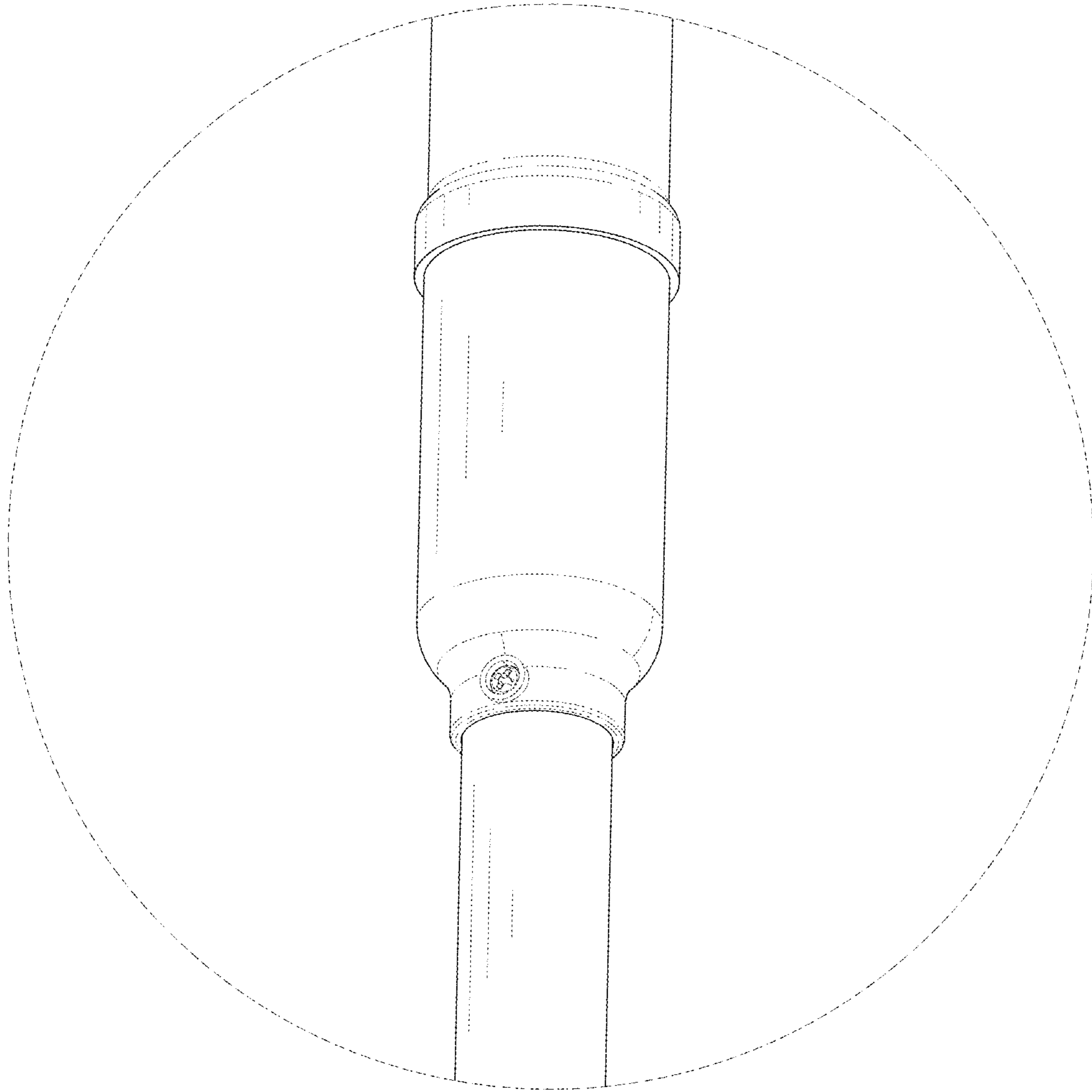


FIG. 12

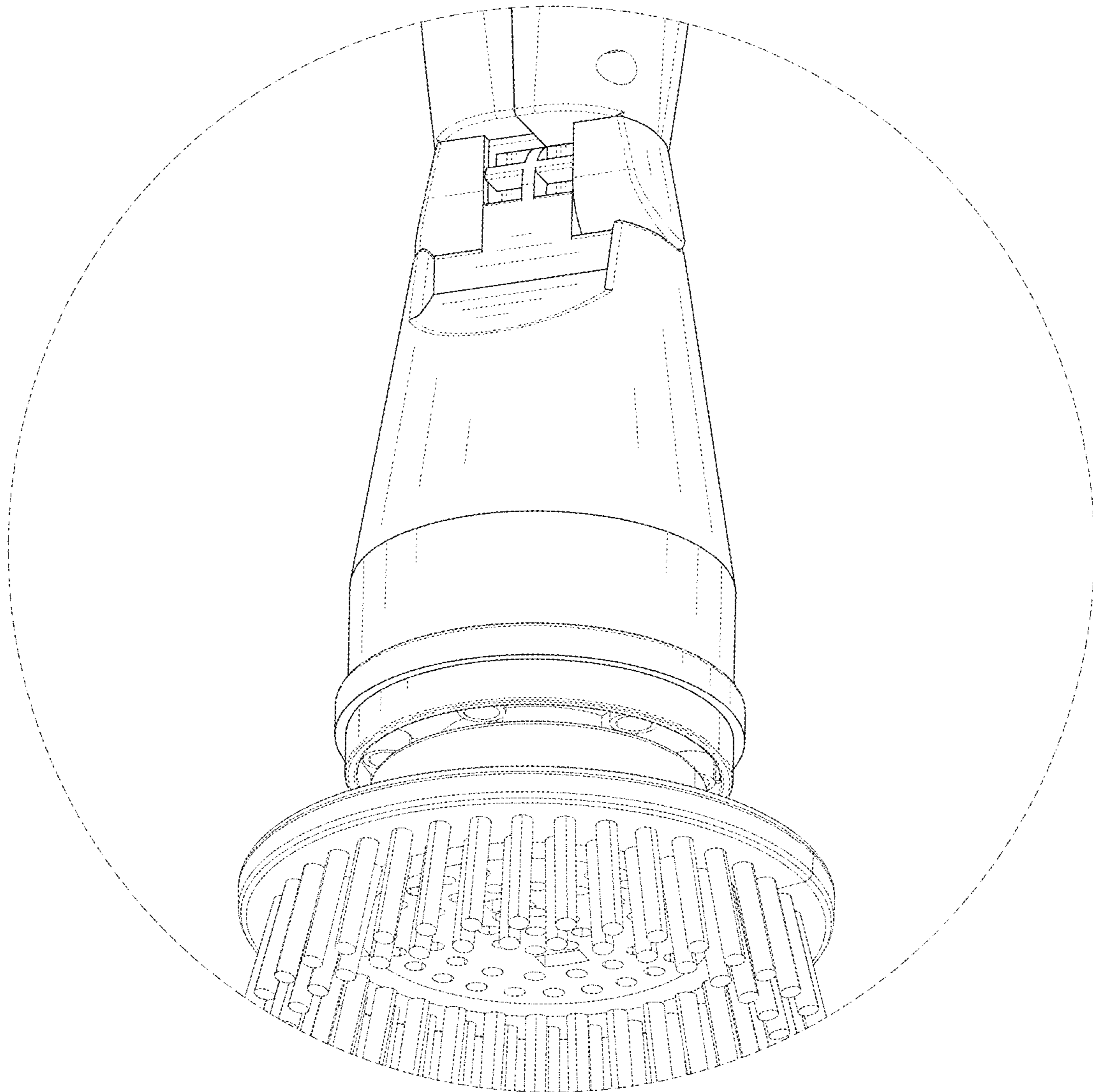


FIG. 13