



US00D966639S

(12) **United States Design Patent** (10) **Patent No.:** **US D966,639 S**
Dhillon (45) **Date of Patent:** **** Oct. 11, 2022**

(54) **DOG'S PAW CLEANER**

(71) Applicant: **Rashpal Kaur Dhillon**, London (GB)

(72) Inventor: **Rashpal Kaur Dhillon**, London (GB)

(**) Term: **15 Years**

(21) Appl. No.: **29/797,316**

(22) Filed: **Jun. 30, 2021**

D646,487 S 10/2011 Leppla
D675,829 S * 2/2013 Jakubow D4/138
D679,502 S 4/2013 Itano
D713,150 S * 9/2014 Maurin D4/102
D715,554 S * 10/2014 Hosler D4/127
D721,503 S 1/2015 De Klein

(Continued)

FOREIGN PATENT DOCUMENTS

EM 005818408-0002 * 11/2018
GB 2041381 12/1994

Related U.S. Application Data

(63) Continuation-in-part of application No. 29/690,011, filed on May 3, 2019, now abandoned.

(51) **LOC (13) Cl.** **07-05**

(52) **U.S. Cl.**
USPC **D32/46**; D4/102; D4/127

(58) **Field of Classification Search**
USPC D32/14, 40-43, 45-49; D6/524;
D8/394-395; D4/102, 138, 135, 118
CPC A47K 17/00
See application file for complete search history.

(56) **References Cited**

U.S. PATENT DOCUMENTS

2,980,936 A 4/1961 Snow
D245,883 S * 9/1977 Tsuji D4/102
4,799,280 A * 1/1989 Lee A46B 13/04
15/29
D315,251 S 3/1991 Clivio
5,007,754 A 4/1991 Zierhut
5,471,695 A * 12/1995 Aiyar A46B 13/02
601/72
D368,343 S 3/1996 Gebhard
D370,098 S 5/1996 Chou
D396,909 S 8/1998 Carter
D411,368 S 6/1999 Liu
D549,964 S * 9/2007 Roth D4/127
D568,609 S 5/2008 Evans
D601,803 S * 10/2009 Reishus D4/127
D609,014 S 2/2010 Hill
D612,612 S 3/2010 Harris
7,695,207 B1 4/2010 Laghi

OTHER PUBLICATIONS

https://www.chewy.com/dexas-popware-pets-scrubbuster-dog/dp/380861?utm_source=google-product&utm_medium=cpc&utm_campaign=12737641584&utm_content=Dexas%20Popware%20for%20Pets&utm_term=&gclid=Cj0KCQjw-JyUBhCuARIsANUqQLHDBFESN8bPFP2lbDpfSjCsd4xlaF-peY8X_eMsTPdHK_YTqHk748aAvEnEALw_wcB (Year: 2022).*

(Continued)

Primary Examiner — John R Yeh

(74) *Attorney, Agent, or Firm* — Nath, Goldberg & Meyer; Joshua B. Goldberg

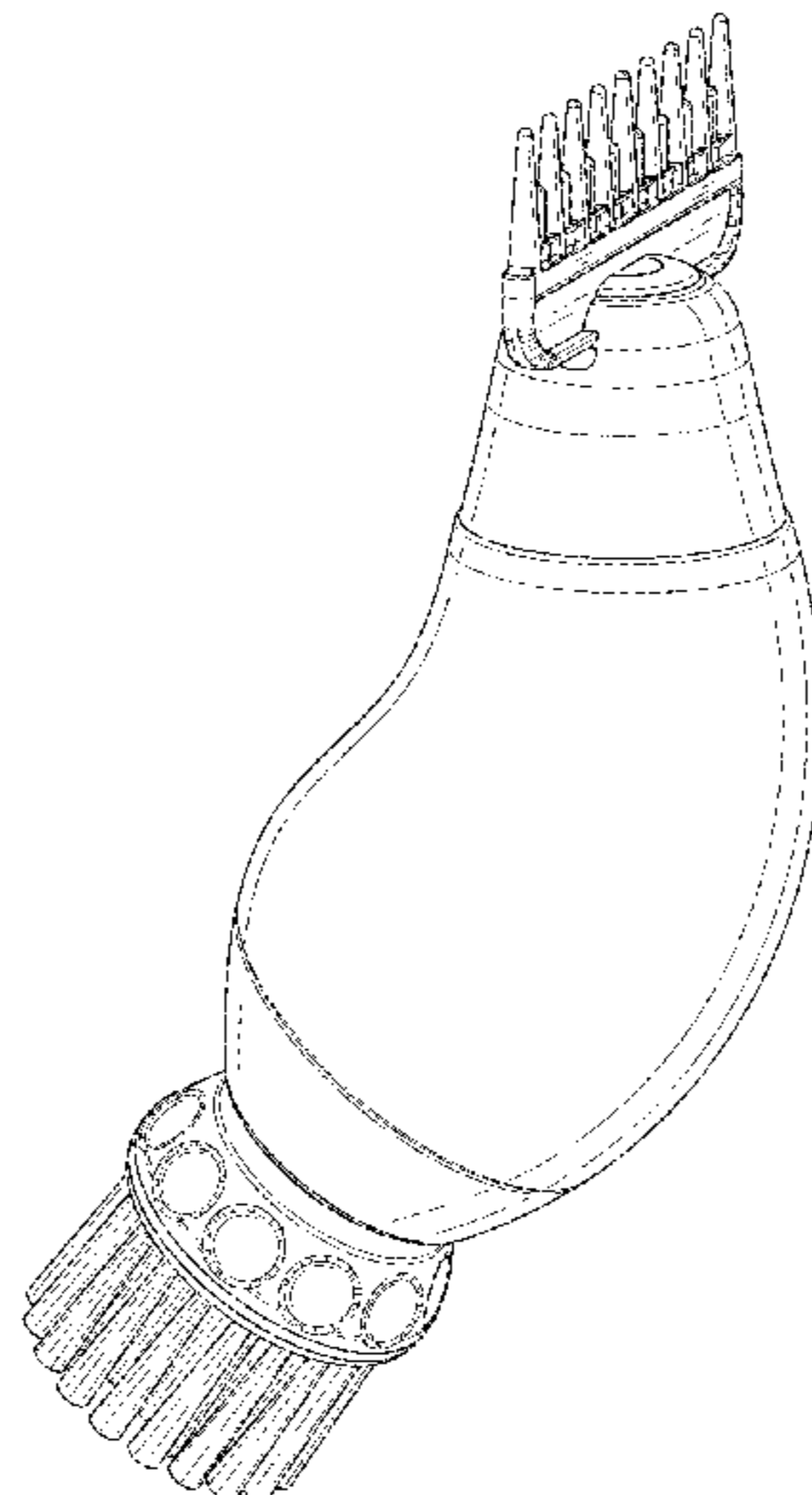
(57) **CLAIM**

The ornamental design for a dog's paw cleaner, as shown and described.

DESCRIPTION

FIG. 1 is a perspective view of a dog's paw cleaner showing my new design;
FIG. 2 is a left side view thereof;
FIG. 3 is a right side view thereof;
FIG. 4 is a top plan view thereof;
FIG. 5 is a bottom plan view thereof;
FIG. 6 is a rear view thereof;
FIG. 7 is a front view thereof; and,
FIG. 8 is a front view thereof, shown with the bristles removed for clarification.

1 Claim, 7 Drawing Sheets



(56)

References Cited

U.S. PATENT DOCUMENTS

D741,601	S	10/2015	Helmbold	
9,351,559	B2 *	5/2016	Pardo	A47K 7/043
D759,256	S *	6/2016	Chen	D24/200
D764,173	S *	8/2016	Nichols	D4/127
D773,823	S *	12/2016	Wong	D4/127
D781,588	S *	3/2017	Lee	D4/127
D784,703	S	4/2017	Grabes	
D805,781	S *	12/2017	Szymanski	D4/102
D807,043	S	1/2018	Grund	
D813,549	S	3/2018	Dhillon	
9,925,112	B2 *	3/2018	Caberlotto	A61H 15/0085
D816,345	S *	5/2018	Tai	D4/100
D825,189	S *	8/2018	Matsushita	D4/102
D838,489	S *	1/2019	Bruce	D4/102
D864,577	S	10/2019	Keast	
D880,167	S	4/2020	Hwang	
10,661,072	B2 *	5/2020	Kern	A61N 1/328
D920,680	S *	6/2021	Wang	D24/214
2010/0222719	A1	9/2010	Cowie	
2017/0049297	A1	2/2017	Dhillon	

OTHER PUBLICATIONS

“Boot Buddy”; Printed on May 14, 2021 from https://us.bootbuddy.com/?utm_medium=uk2usR&utm_campaign=uk2usR.

* cited by examiner

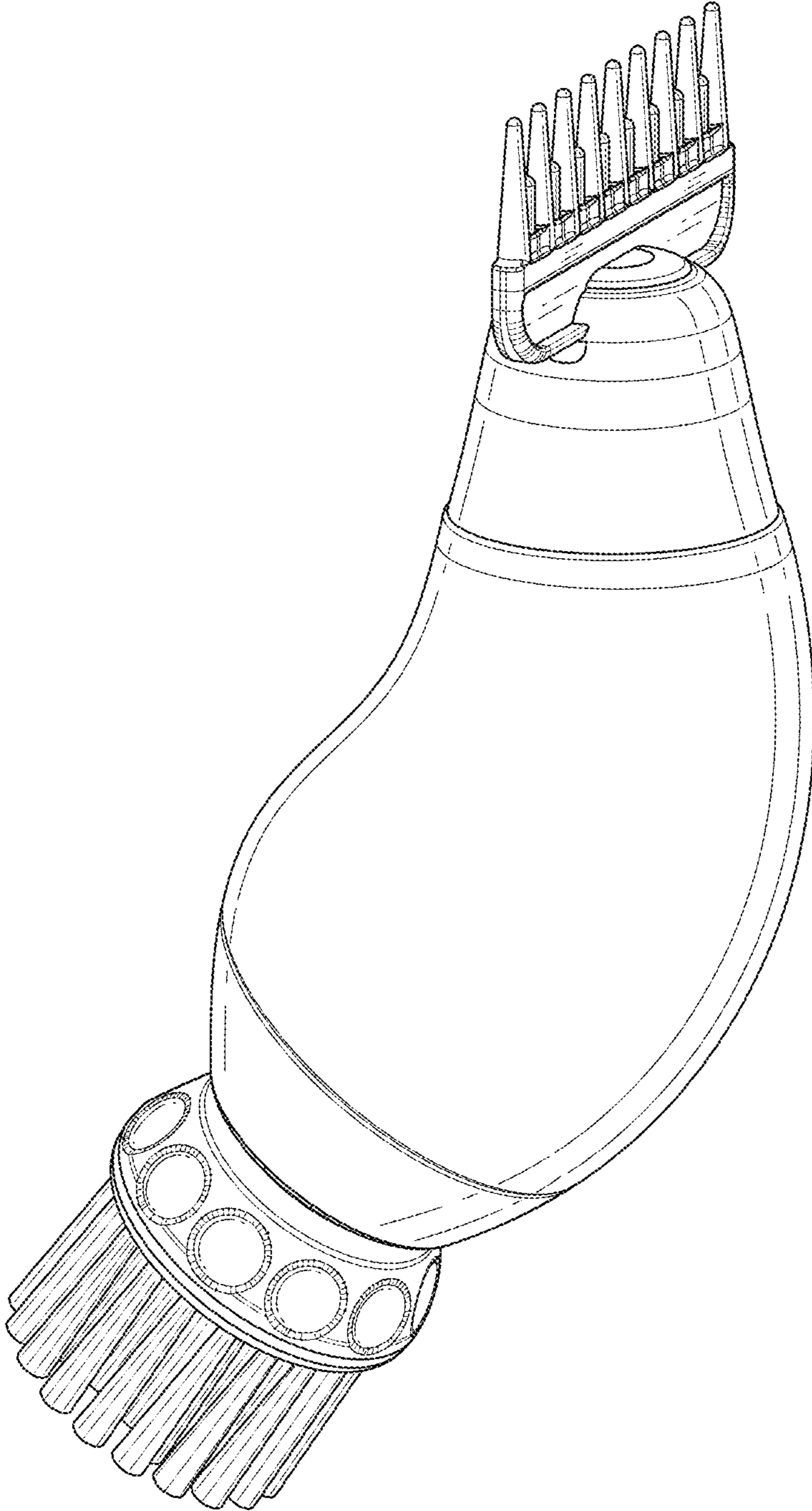


FIG. 1

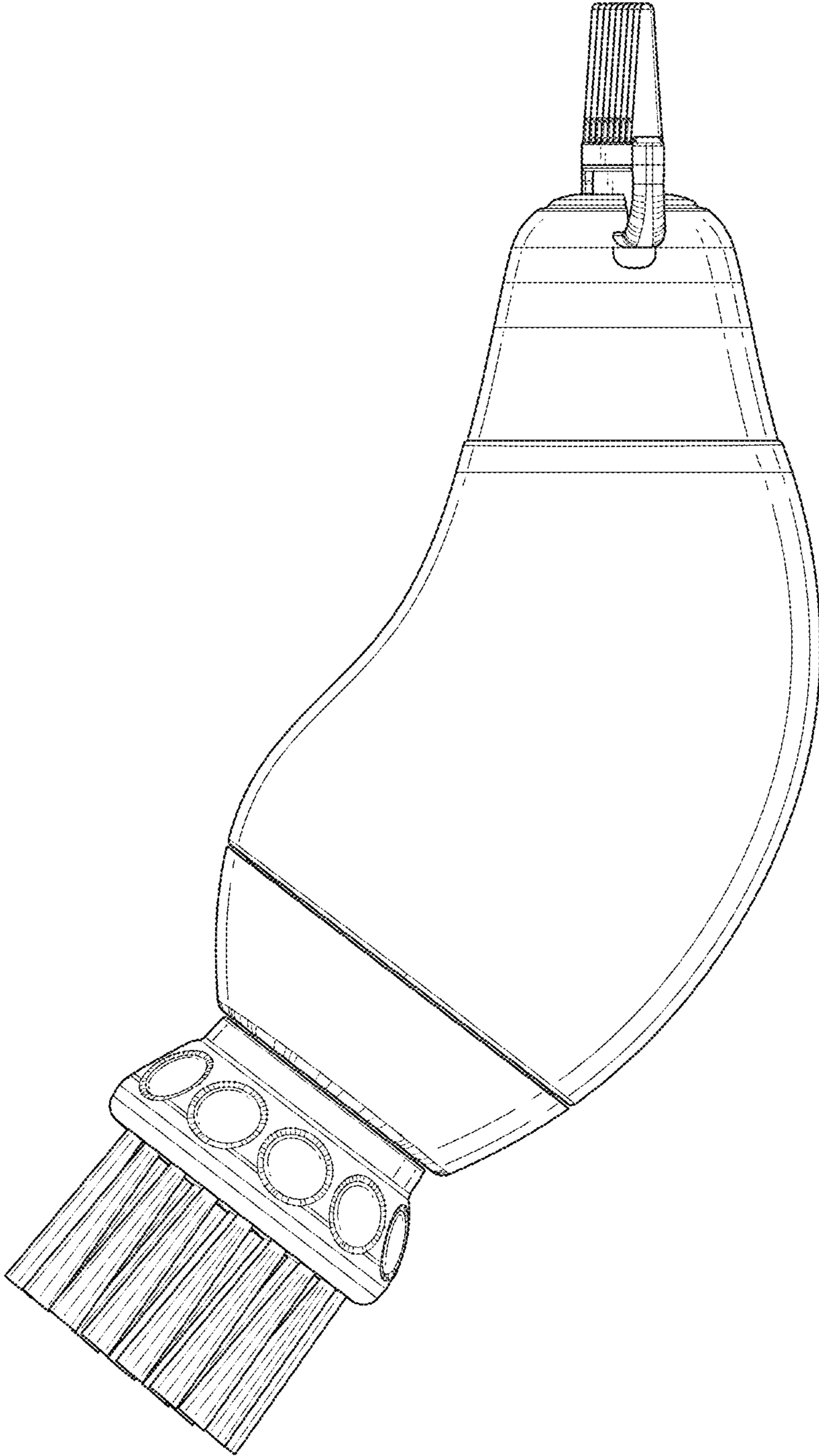


FIG. 2

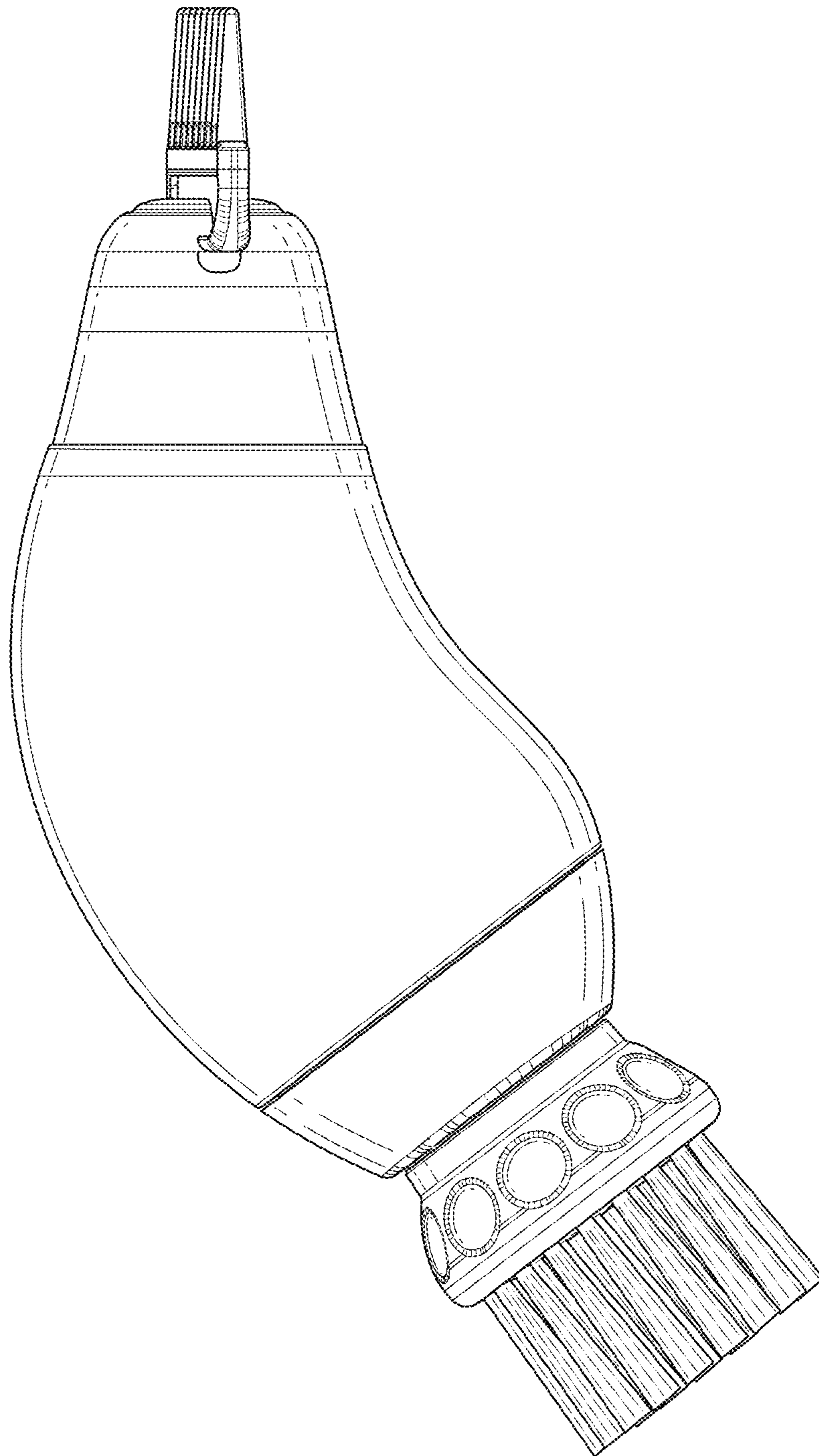


FIG. 3

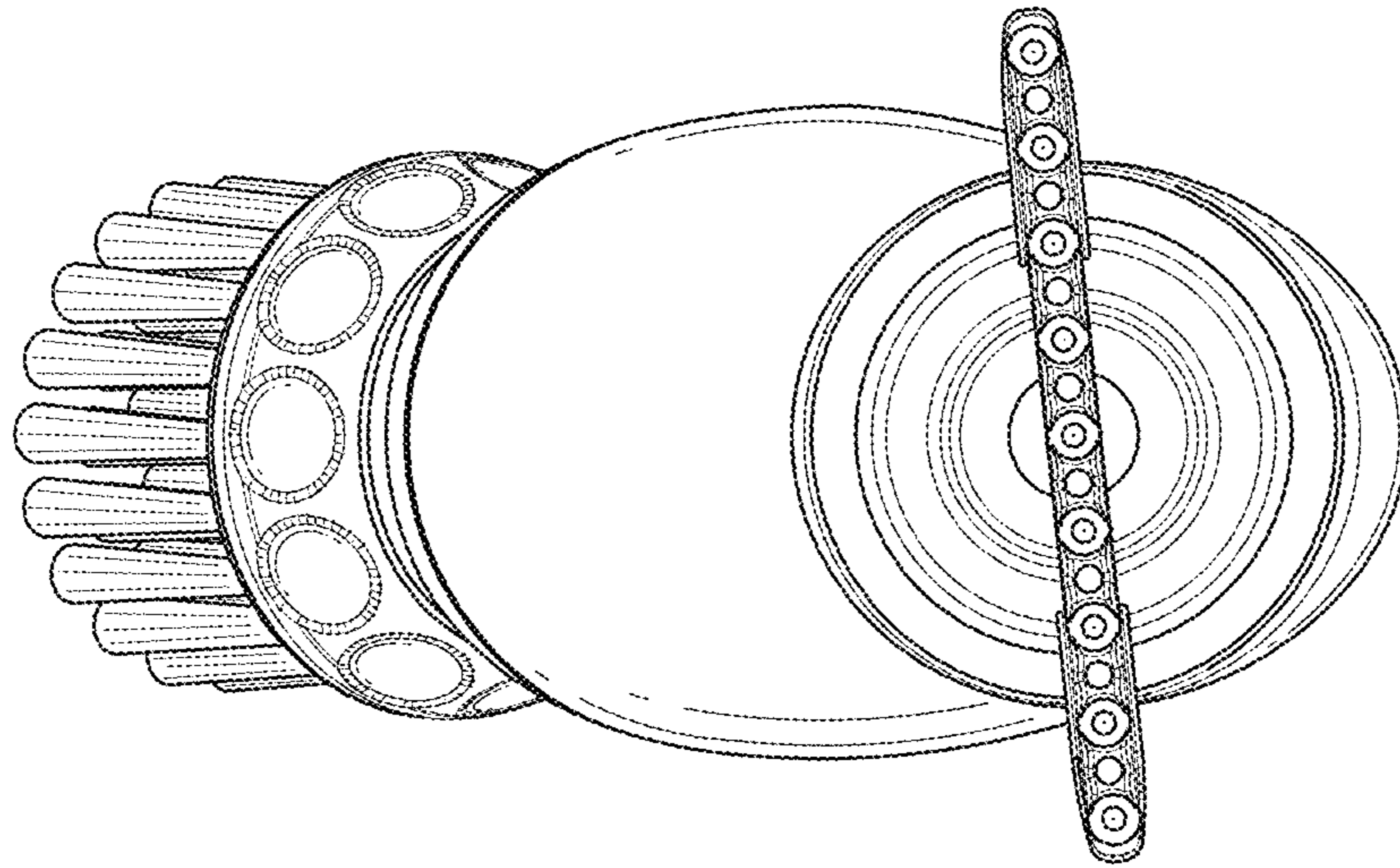


FIG. 4

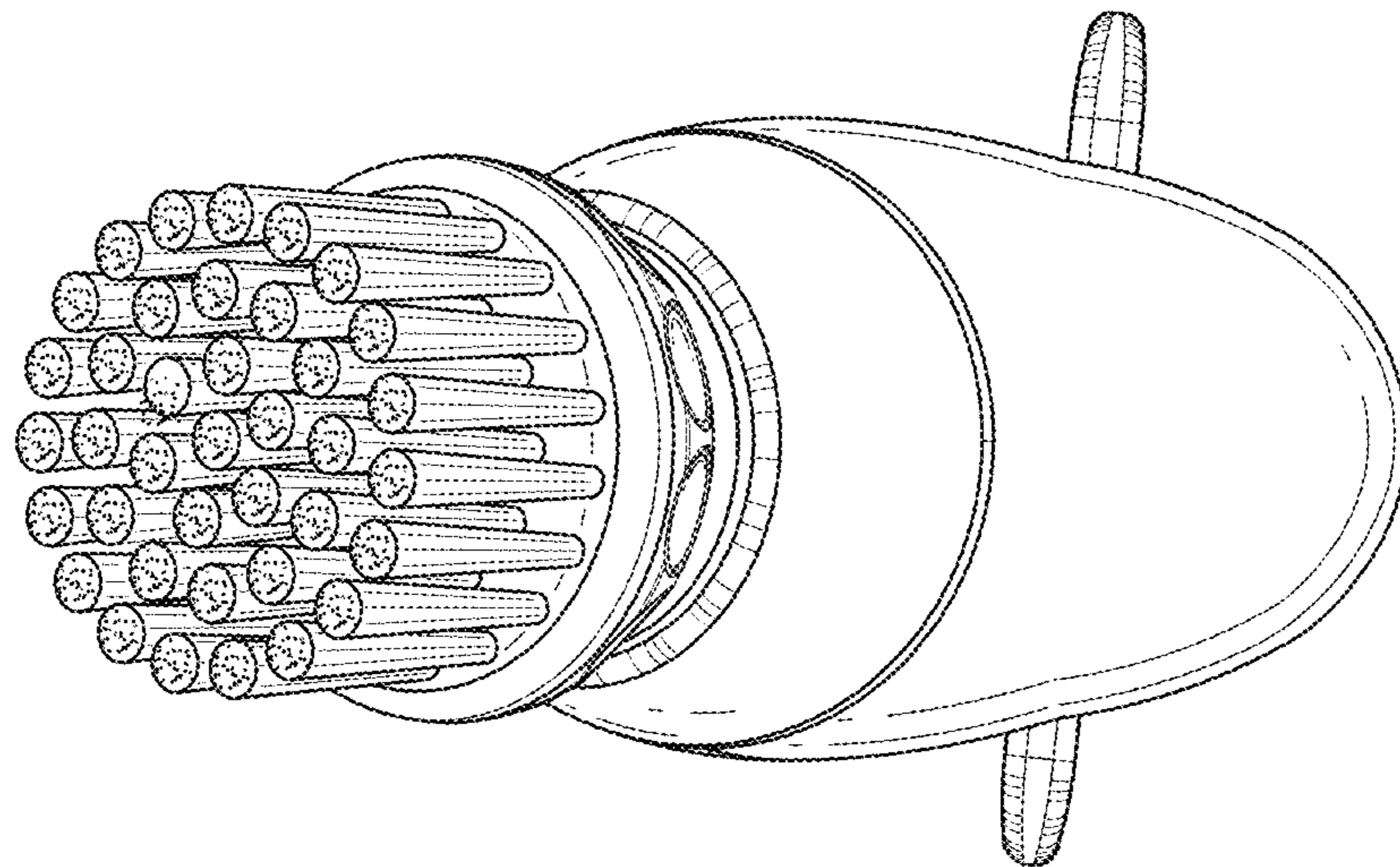


FIG. 5

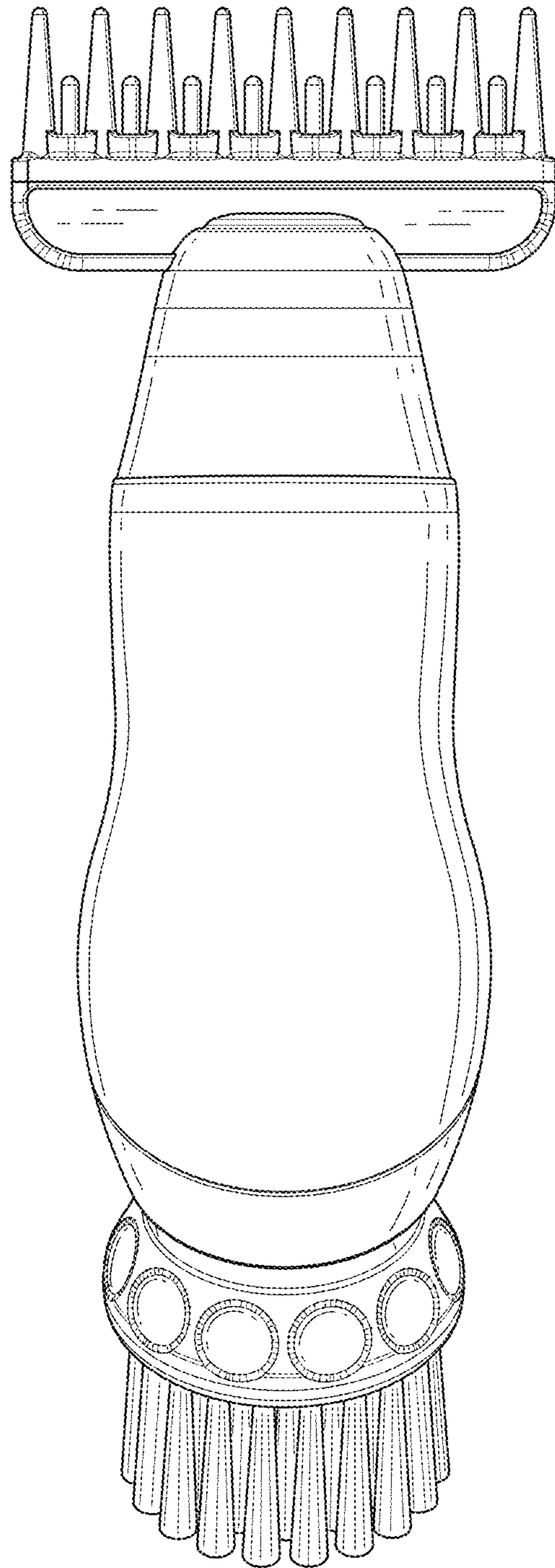


FIG. 6

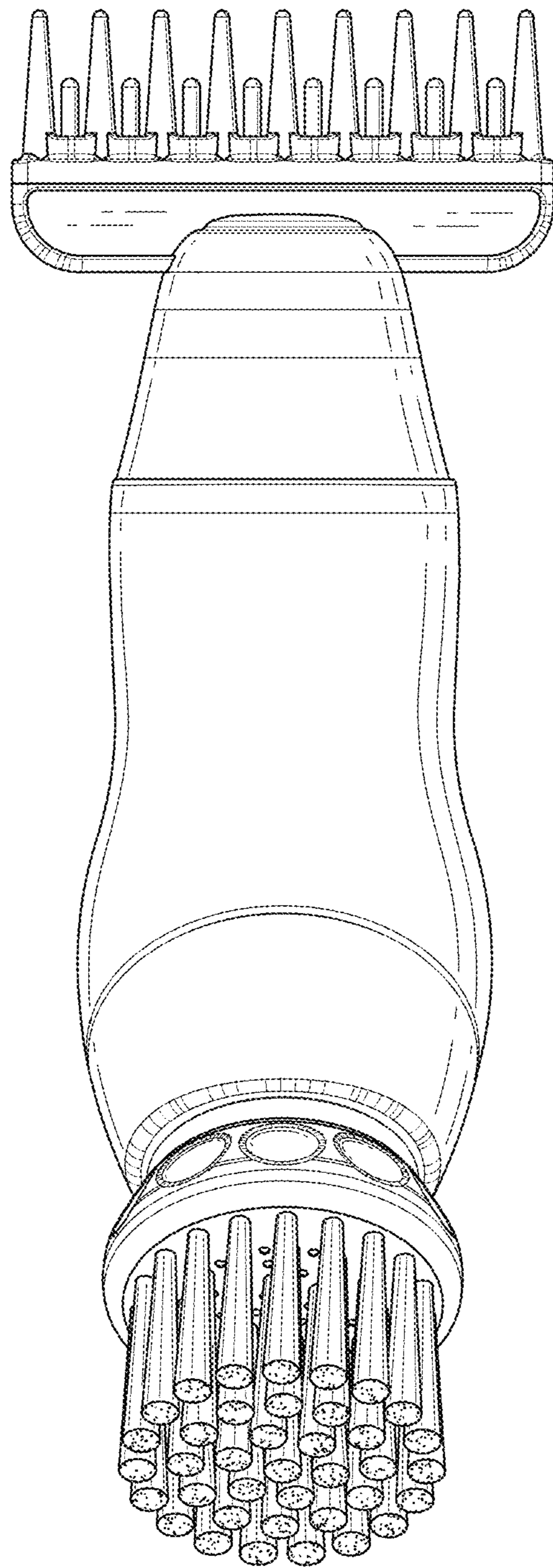


FIG. 7

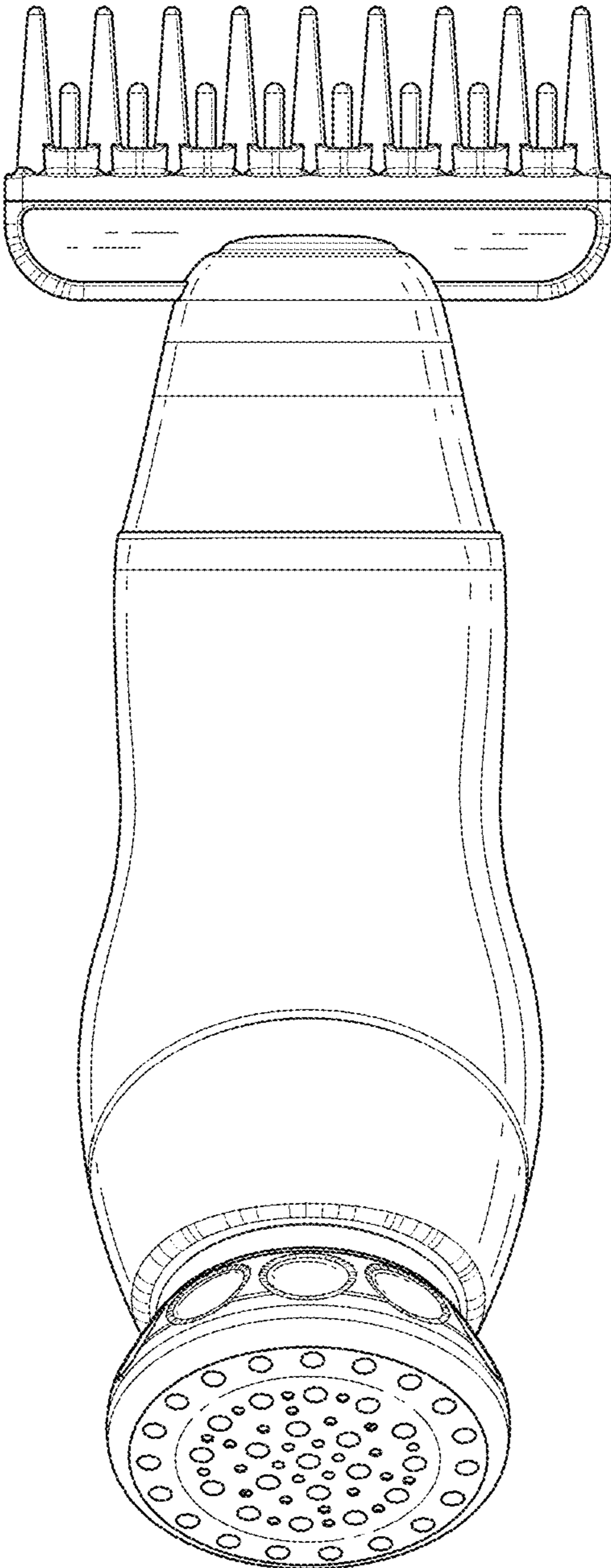


FIG. 8