

US00D966638S

(12) **United States Design Patent**
Koeniger et al.

(10) **Patent No.:** **US D966,638 S**
(45) **Date of Patent:** **** Oct. 11, 2022**

(54) **INDUSTRIAL VACUUM CLEANER**

(71) Applicant: **Hilti Aktiengesellschaft**, Schaan (LI)

(72) Inventors: **Tobias Koeniger**, Bregenz (AT);
Matthias Mazur, Hamburg (DE);
Heiko Tullney, Aumuehle (DE)

(73) Assignee: **Hilti Aktiengesellschaft**, Schaan (LI)

(**) Term: **15 Years**

(21) Appl. No.: **29/703,402**

(22) Filed: **Aug. 27, 2019**

(30) **Foreign Application Priority Data**

Feb. 28, 2019 (LI) 2019-186

(51) **LOC (13) Cl.** **15-05**

(52) **U.S. Cl.**
USPC **D32/21**

(58) **Field of Classification Search**
USPC D32/18, 21, 24, 31; D3/276, 294;
D13/108, 109; D15/144, 199; D21/526,
D21/548, 563

(Continued)

(56) **References Cited**

U.S. PATENT DOCUMENTS

D332,330 S * 1/1993 Gurstein D32/22

D357,264 S * 4/1995 Williams D15/199

(Continued)

FOREIGN PATENT DOCUMENTS

CN 303042342 * 12/2014

CN 303564869 * 1/2016

(Continued)

OTHER PUBLICATIONS

Feeling FEIN power toll review Duster 35 MX AC, announced in YouTube on Dec. 14, 2016 [online], [site visited] Jan. 7, 2021],

Available from the internet URL: <https://www.youtube.com/watch?v=VW2Mz60yaV8> (Year: 2016).*

(Continued)

Primary Examiner — Amy C Wierenga

Assistant Examiner — Jennylou M Binas

(74) *Attorney, Agent, or Firm* — Crowell & Moring LLP

(57) **CLAIM**

The ornamental design for an industrial vacuum cleaner, as shown and described.

DESCRIPTION

The file of this patent contains at least one drawing executed in color. Copies of this patent with color drawings will be provided by the United States Patent and Trademark Office upon request and payment of the necessary fee.

FIG. 1 is a perspective view of an industrial vacuum cleaner according to the design;

FIG. 2 is a right side view thereof;

FIG. 3 is a left side view thereof;

FIG. 4 is a front view thereof;

FIG. 5 is a rear view thereof;

FIG. 6 is a top view thereof;

FIG. 7 is a bottom view thereof;

FIG. 8 is a perspective view of a second embodiment of the industrial vacuum cleaner;

FIG. 9 is a right side view thereof;

FIG. 10 is a left side view thereof;

FIG. 11 is a front view thereof;

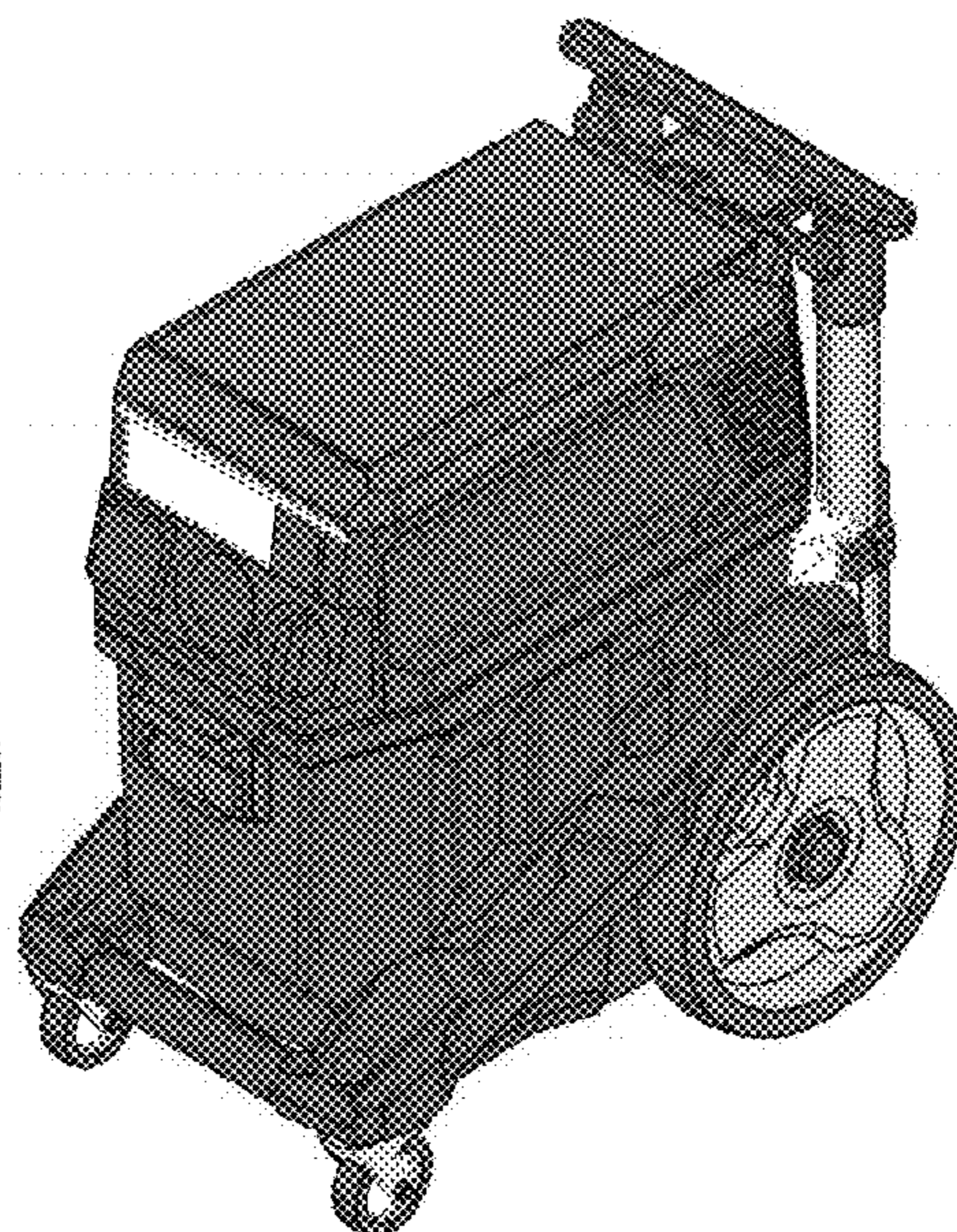
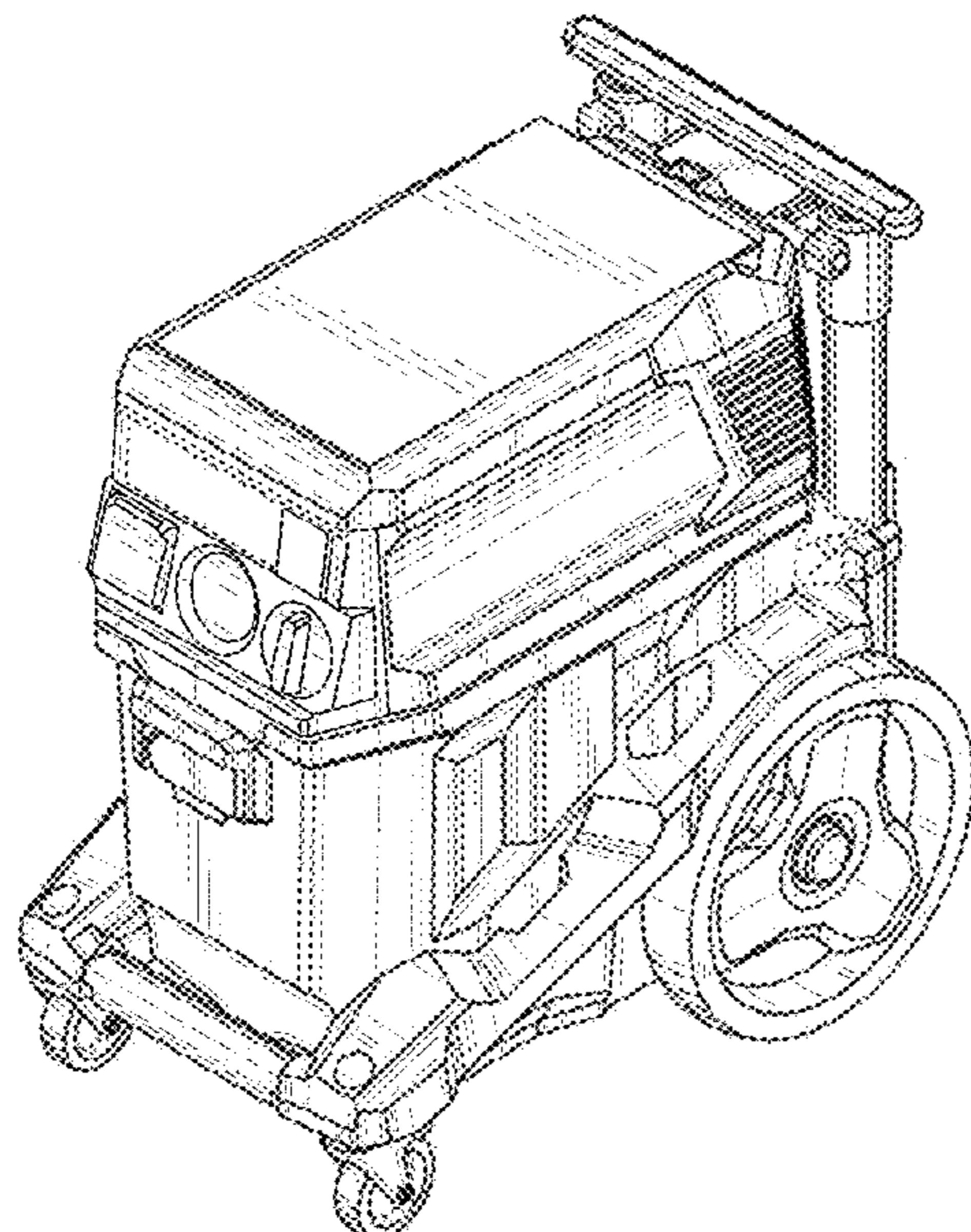
FIG. 12 is a rear view thereof;

FIG. 13 is a top view thereof; and,

FIG. 14 is a bottom view thereof.

The broken lines shown in the drawings depict portions of the industrial vacuum cleaner that form no part of the claimed design.

1 Claim, 14 Drawing Sheets
(7 of 14 Drawing Sheet(s) Filed in Color)



(58) **Field of Classification Search**

CPC A47L 5/24; A47L 5/28; A47L 5/30; A47L 5/34; A47L 7/0004; A47L 9/04; A47L 9/325; A47L 9/1683; A47L 11/30; A47L 11/302; A47L 11/34; A47L 11/4005; A47L 11/4008; A47L 11/4016; A47L 11/4041; A47L 11/4044; B04C 5/185; B08B 3/04; B23Q 11/0046; B23Q 11/0071; E04H 4/1636

See application file for complete search history.

(56) **References Cited**

U.S. PATENT DOCUMENTS

D359,296	S	*	6/1995	Witherspoon	D15/199
D462,170	S	*	9/2002	Chen	D3/276
D489,531	S	*	5/2004	Oh	D3/318
D616,908	S	*	6/2010	Labak	D15/199
D714,501	S	*	9/2014	Dammkoehler	D32/22
D770,179	S	*	11/2016	Menirom	D3/279
D824,976	S	*	8/2018	Mäkelä	D15/199
D833,744	S	*	11/2018	Yahav	D3/279
D864,271	S	*	10/2019	Lai	D15/199
D866,628	S	*	11/2019	Xi	A63C 17/12 D15/199
D904,716	S	*	12/2020	Shen	D34/19
D939,794	S	*	12/2021	Irfan	D32/18
D941,538	S	*	1/2022	Dammkoehler	D32/16
D941,900	S	*	1/2022	Jin	B25J 11/00 D15/199
D944,474	S	*	2/2022	Kuhls	D32/15
D947,475	S	*	3/2022	Lepold	D32/21
D950,867	S	*	5/2022	Guth	D32/21
D953,669	S	*	5/2022	Kuhls	D32/21
11,337,500	B2	*	5/2022	Rupprecht	A45F 5/00
2021/0315429	A1	*	10/2021	Fording	A47L 5/365

FOREIGN PATENT DOCUMENTS

WO	D206838-001	*	7/2020
WO	D206838-002	*	7/2020
WO	D206838-003	*	7/2020
WO	D206838-004	*	7/2020
WO	D206838-005	*	7/2020

OTHER PUBLICATIONS

Karcher SGV 6/5 Steam Vacuum Cleaner, announced in YouTube on Aug. 29, 2016 [online], [site visited] Jan. 7, 2021], Available from the internet URL: <https://www.youtube.com/watch?v=CE0f7mVkz-o> (Year: 2016).*

Festool Dust Extractor, available Amazon.com, date first available Mar. 9, 2018[online],[site visited] Jan. 7, 2021 .Available from internet URL:https://www.amazon.com/Festool-574933-CT-Dust-Extractor/dp/B07BBYSGH2/ref=sr_1_1?dchild=1&keywords=Festool+574933+CT+36+AC+Dust+Extractor&qid=1610040053&s=hi&sr=1-1 (Year: 2018).*

Fein Turbo X Wet Dry Dust Extractor, available in Amazon.com, date first available Apr. 5, 2017 [online], [site visited Apr. 19, 2021], Available from the internet URL: <https://www.amazon.com/Fein-Turbo-Dust-Extractor-Model/dp/B06Y2KQQCB> (Year: 2017).*

Best Dust Extractors—Head-2-Head Testing, announced in YouTube on Feb. 17, 2018 [online], [site visited] Apr. 19, 2021], Available from the internet URL: <https://www.youtube.com/watch?v=q3OTFdv000> (Year: 2018).*

Hilti VC 150 Wet and dry construction vacuums, announced in YouTube on Jul. 9, 2021 [online], [site visited May 31, 2022], Available from the internet URL: <https://www.youtube.com/watch?v=r1SCNMMzQ5E> (Year: 2021).*

* cited by examiner

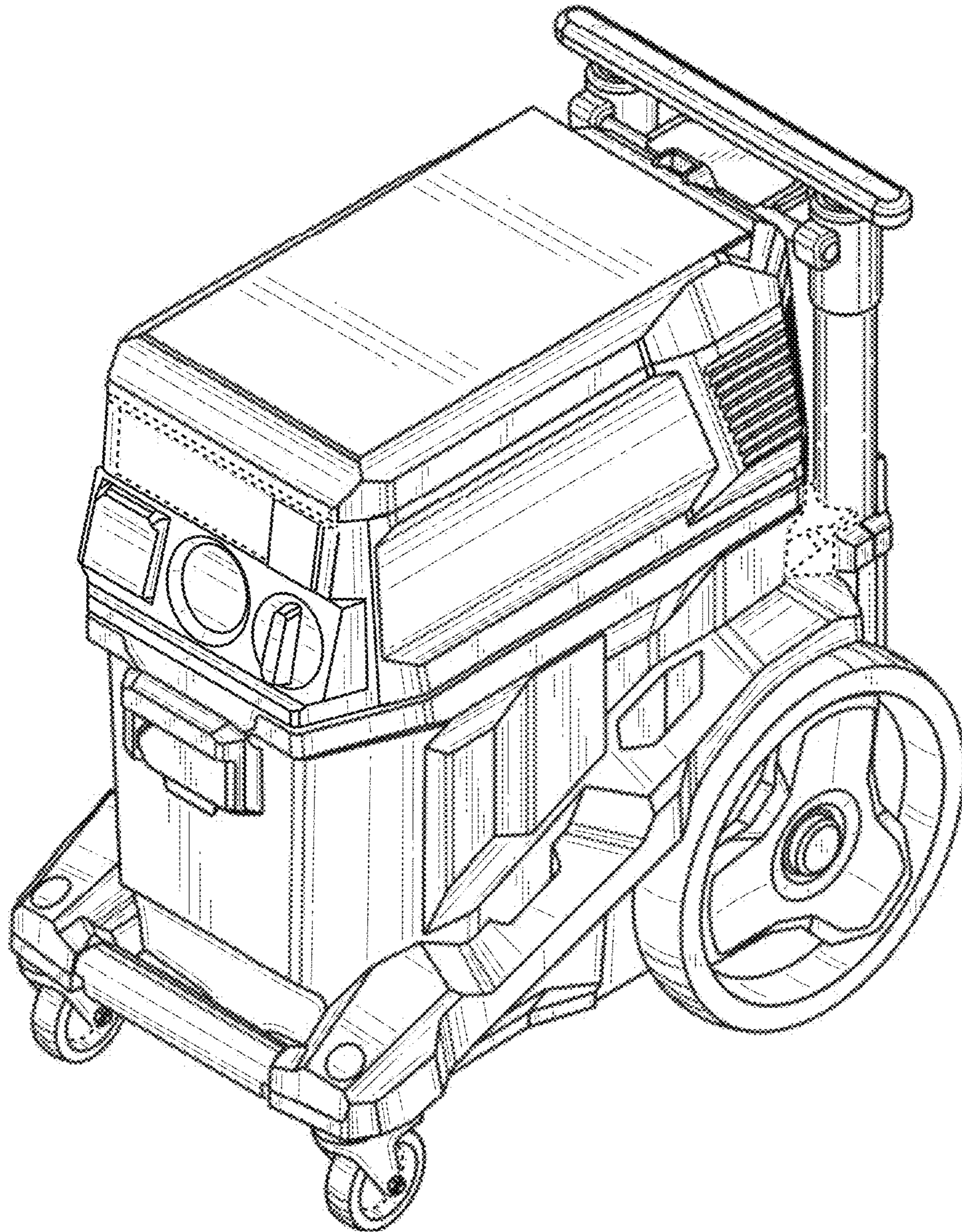


FIG. 1

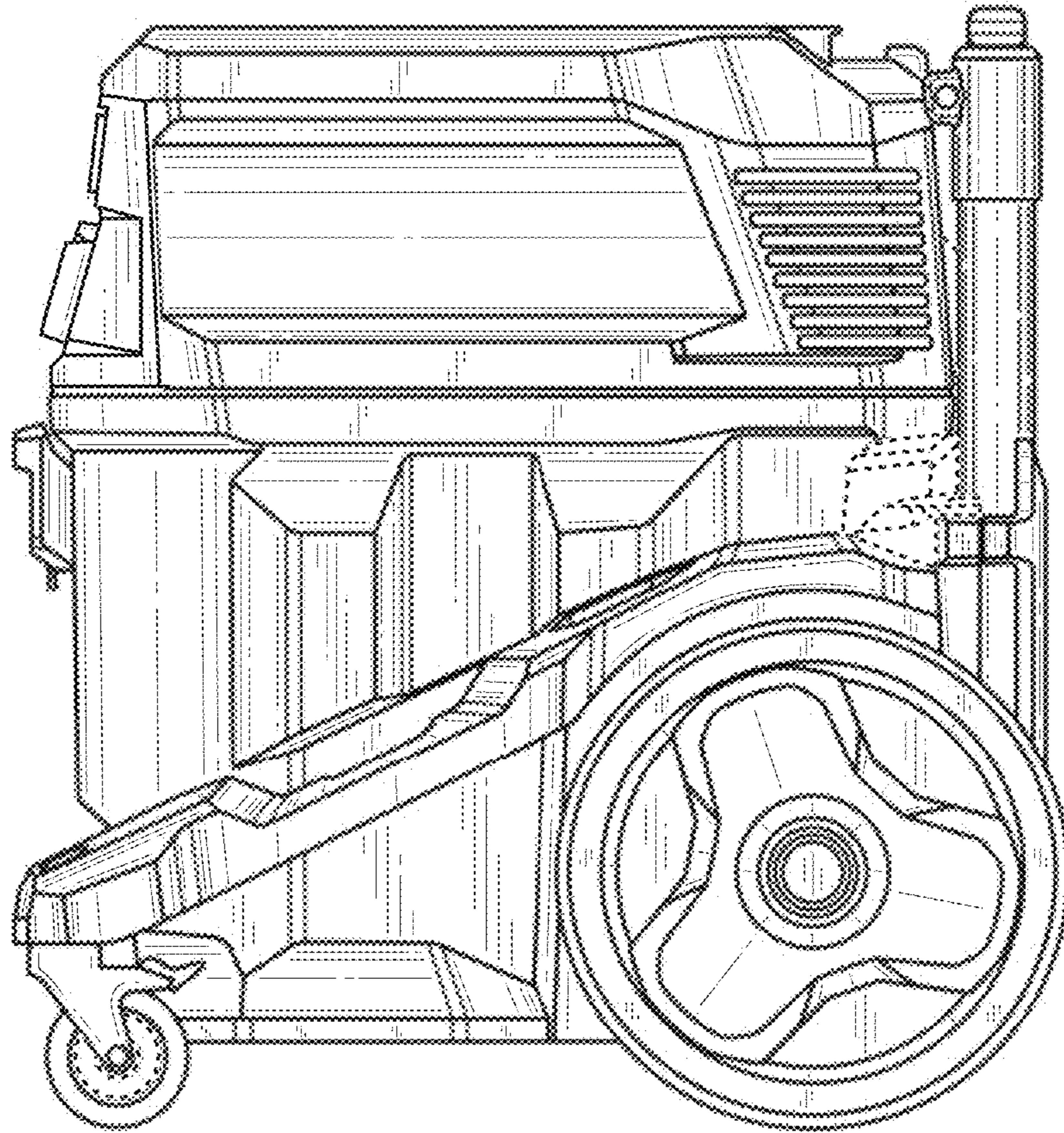


FIG. 2

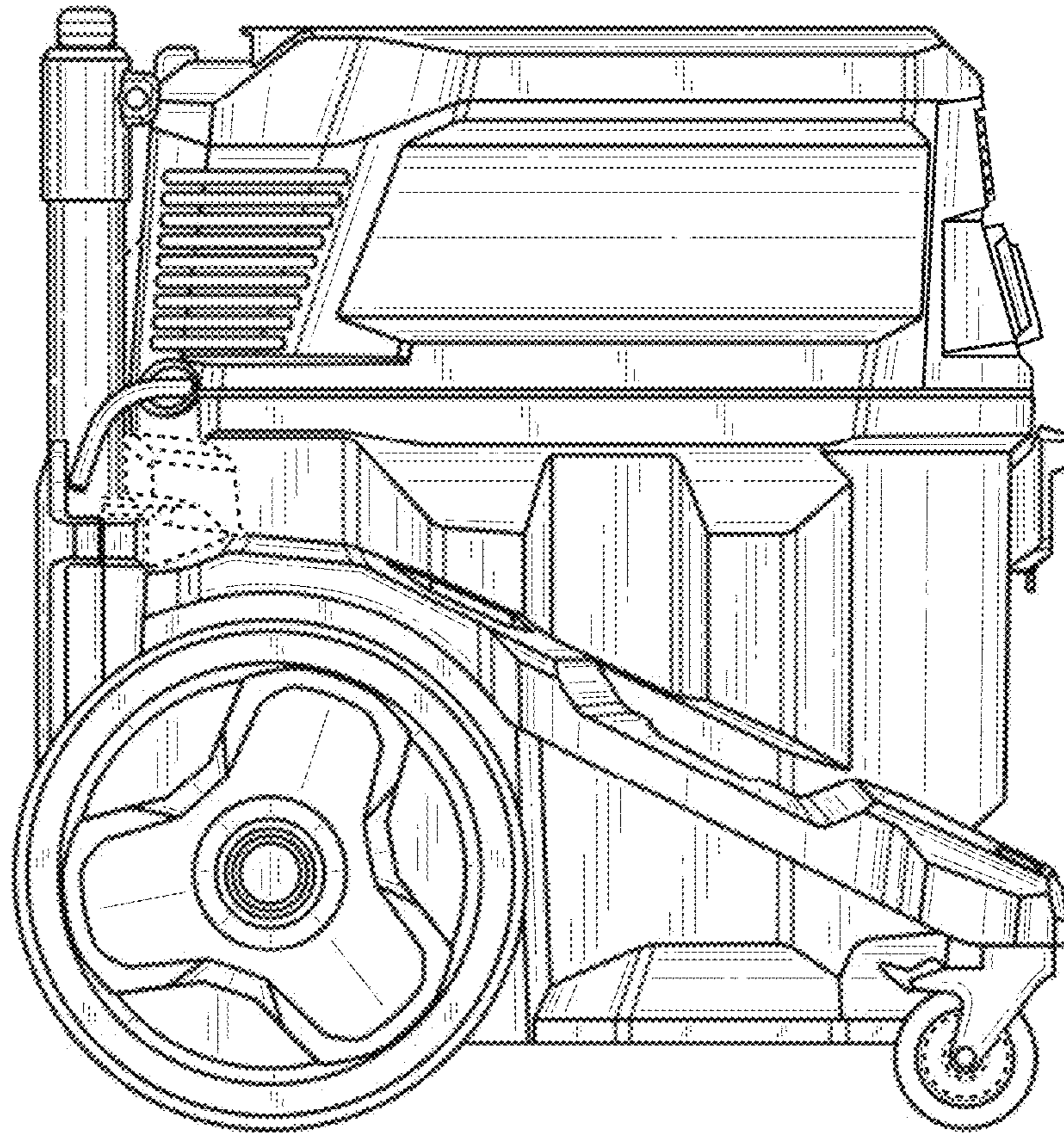


FIG. 3

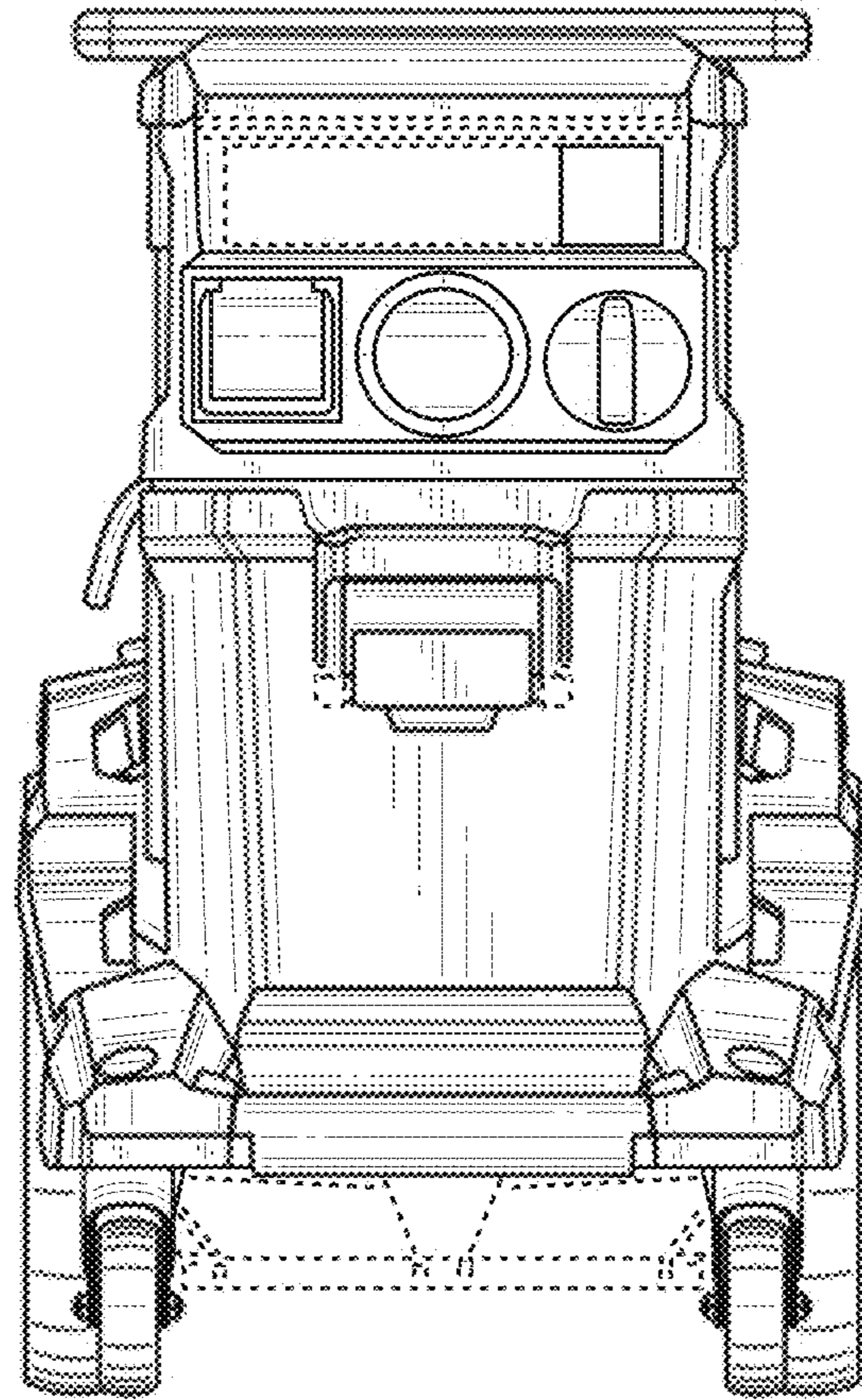


FIG. 4

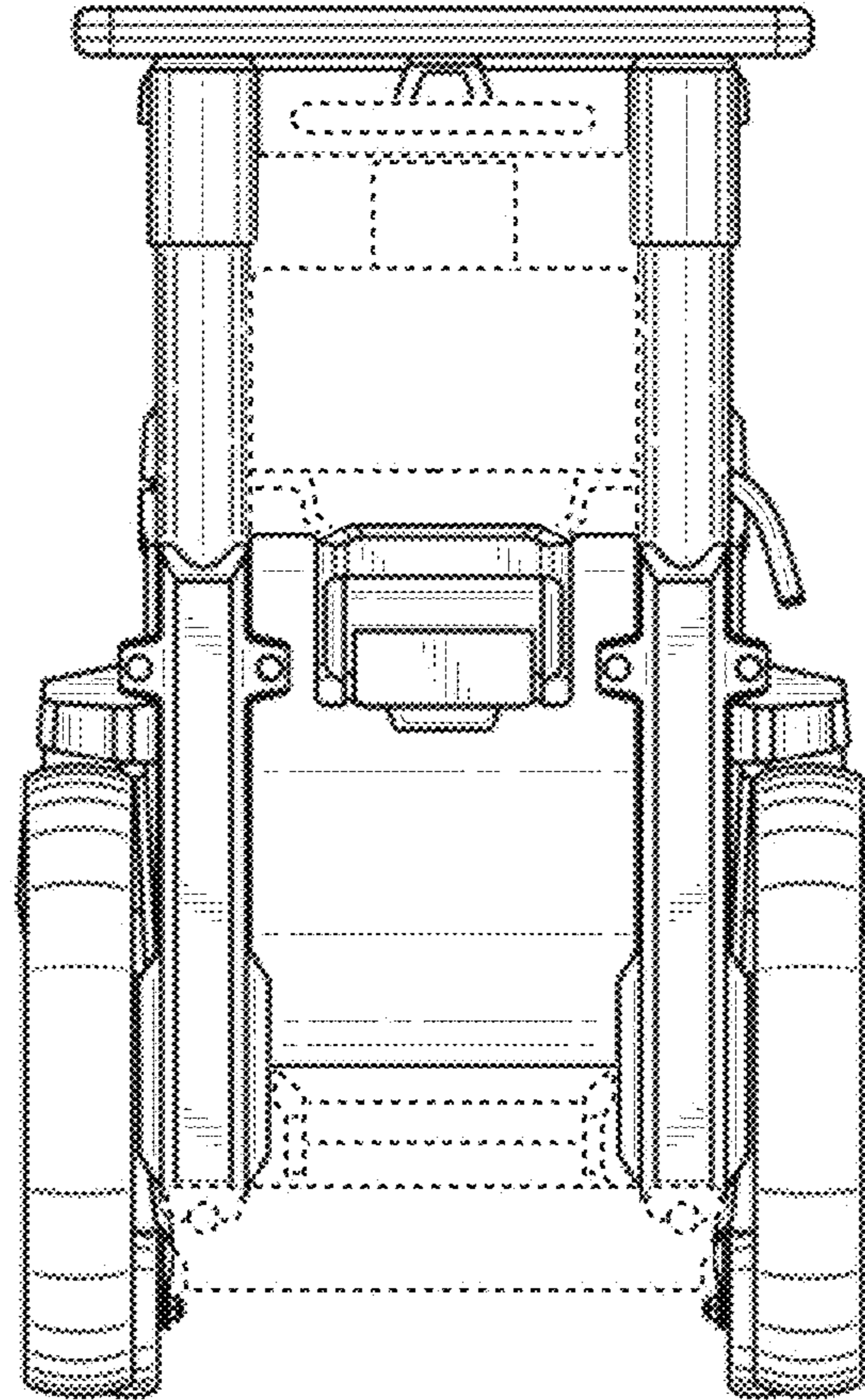


FIG. 5

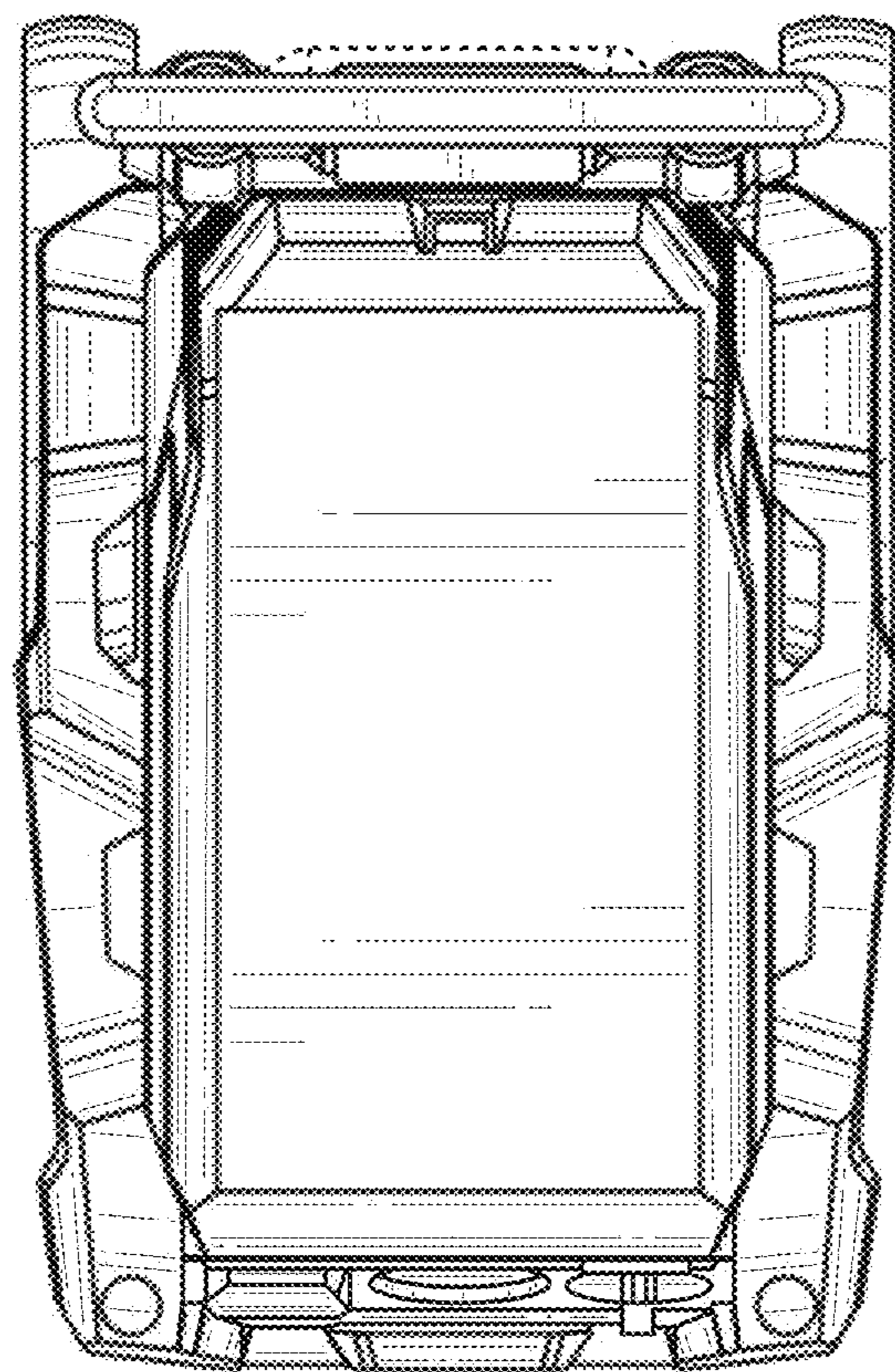


FIG. 6

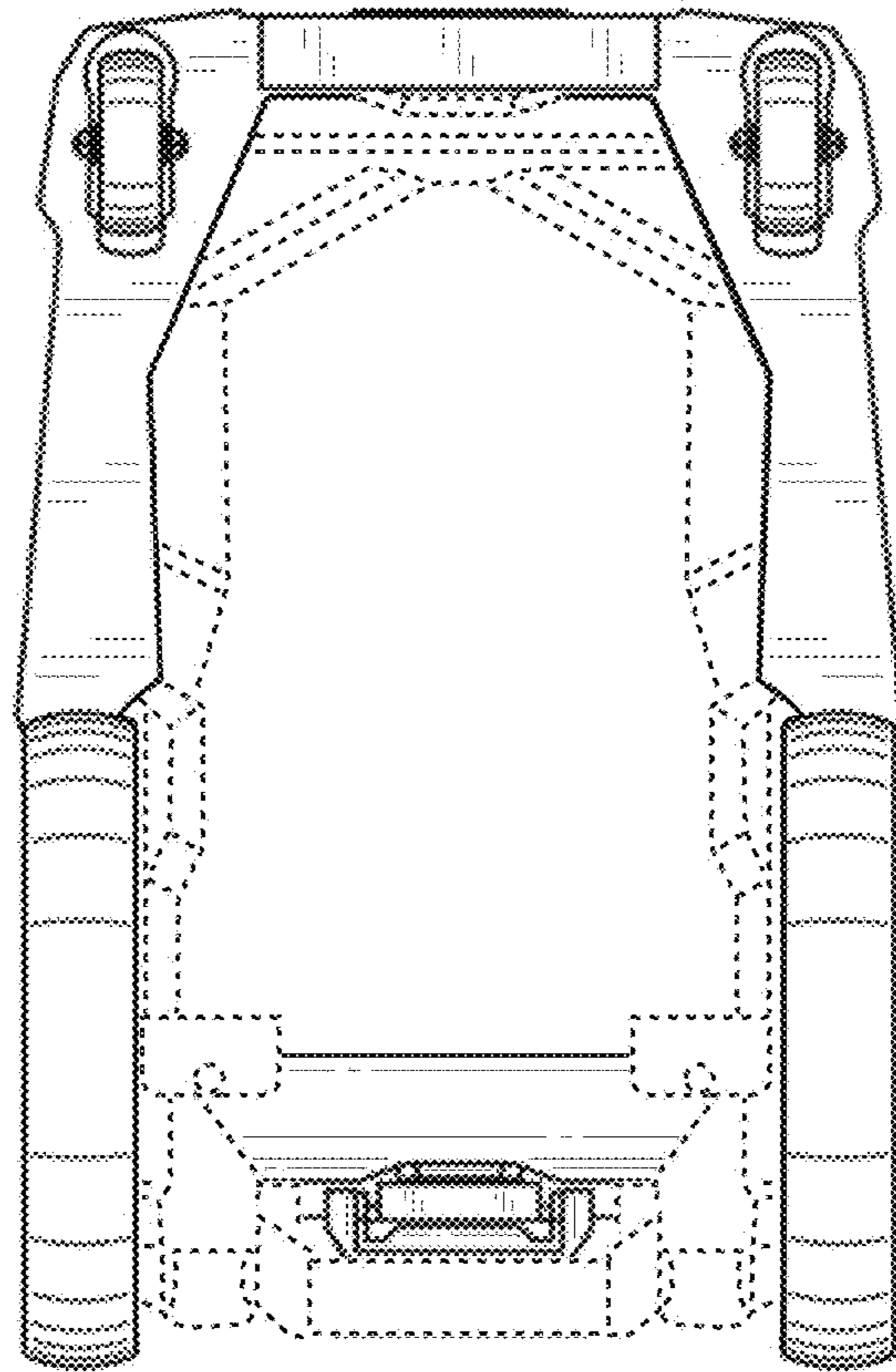


FIG. 7

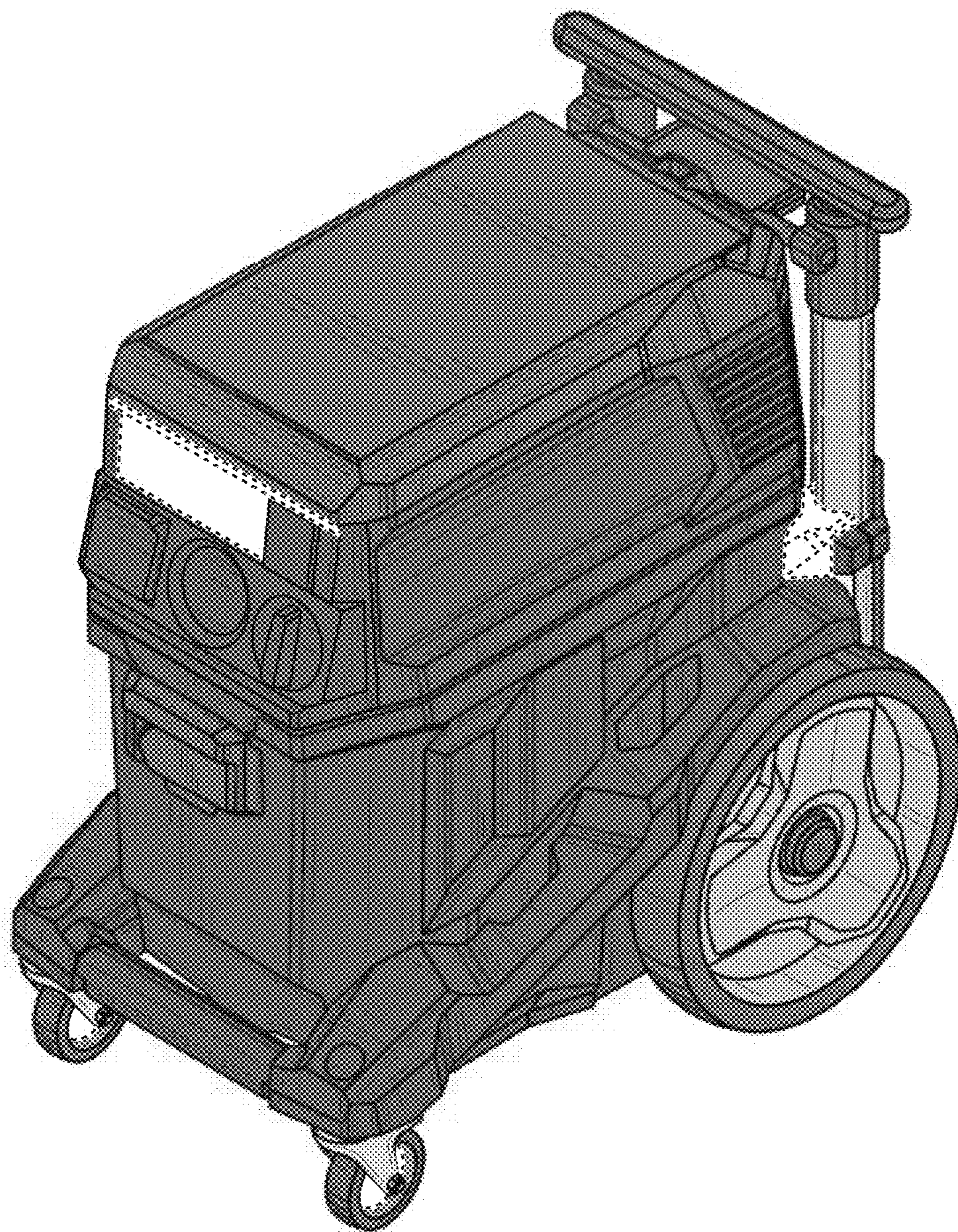


FIG. 8

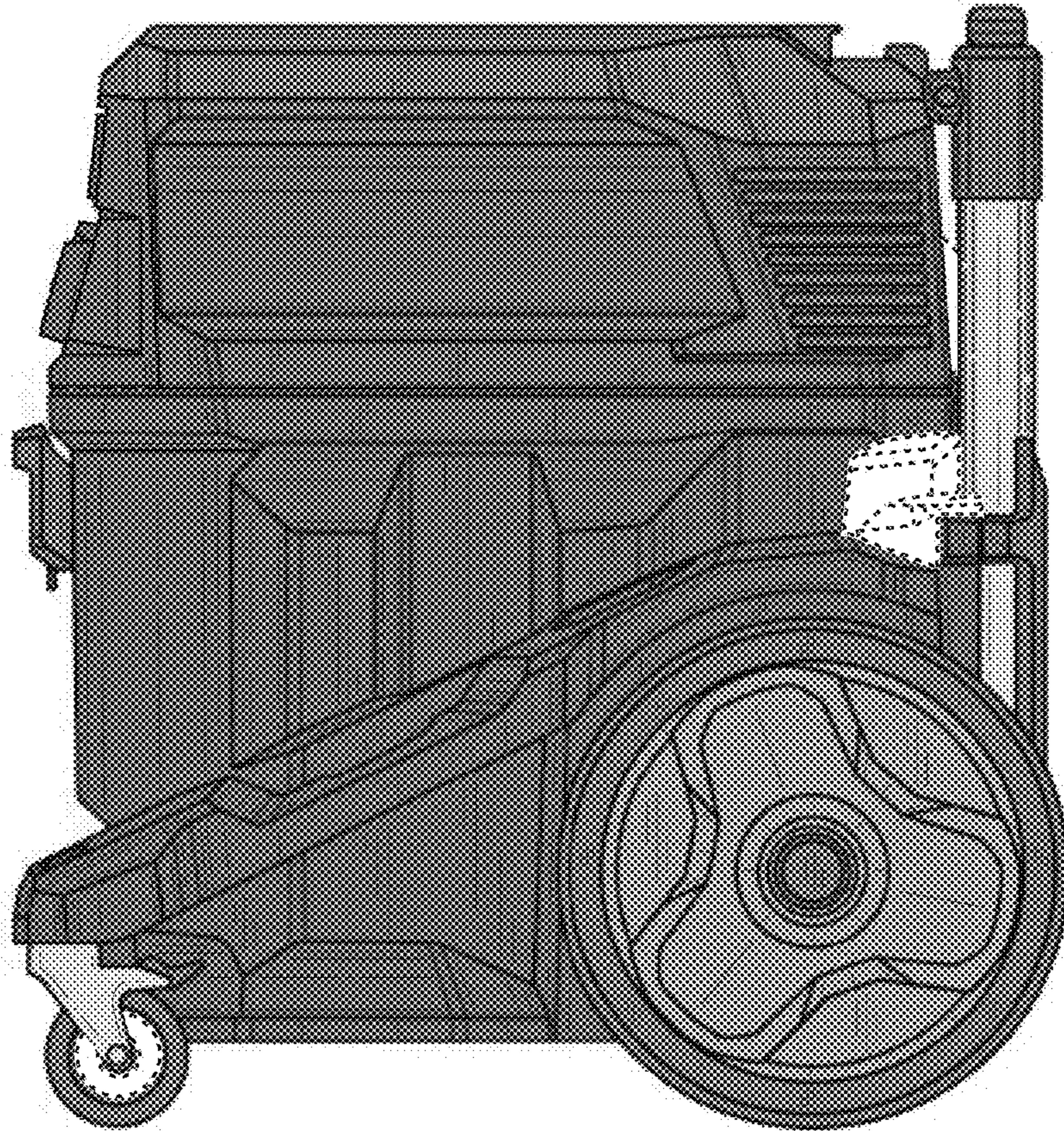


FIG. 9

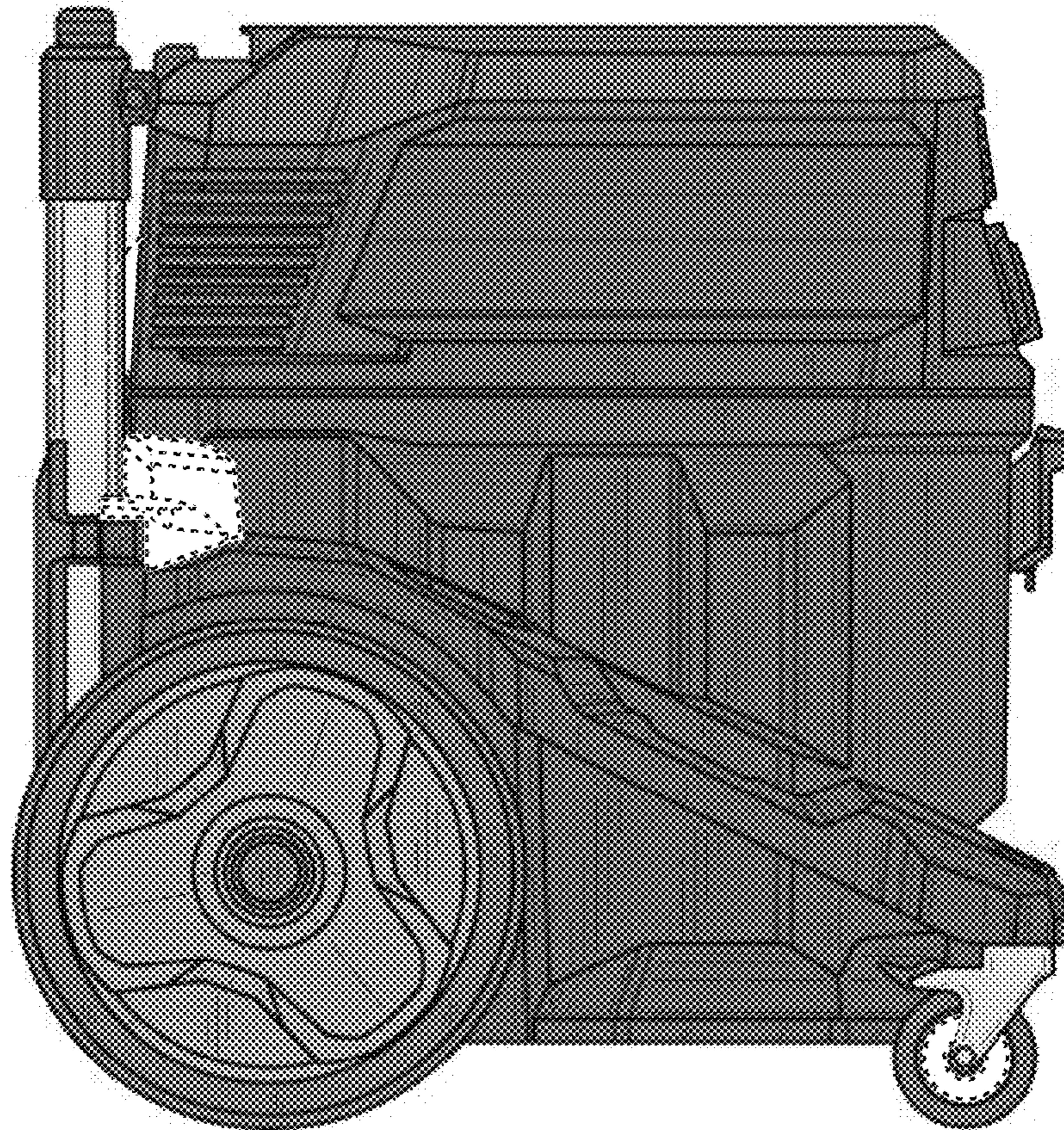


FIG. 10

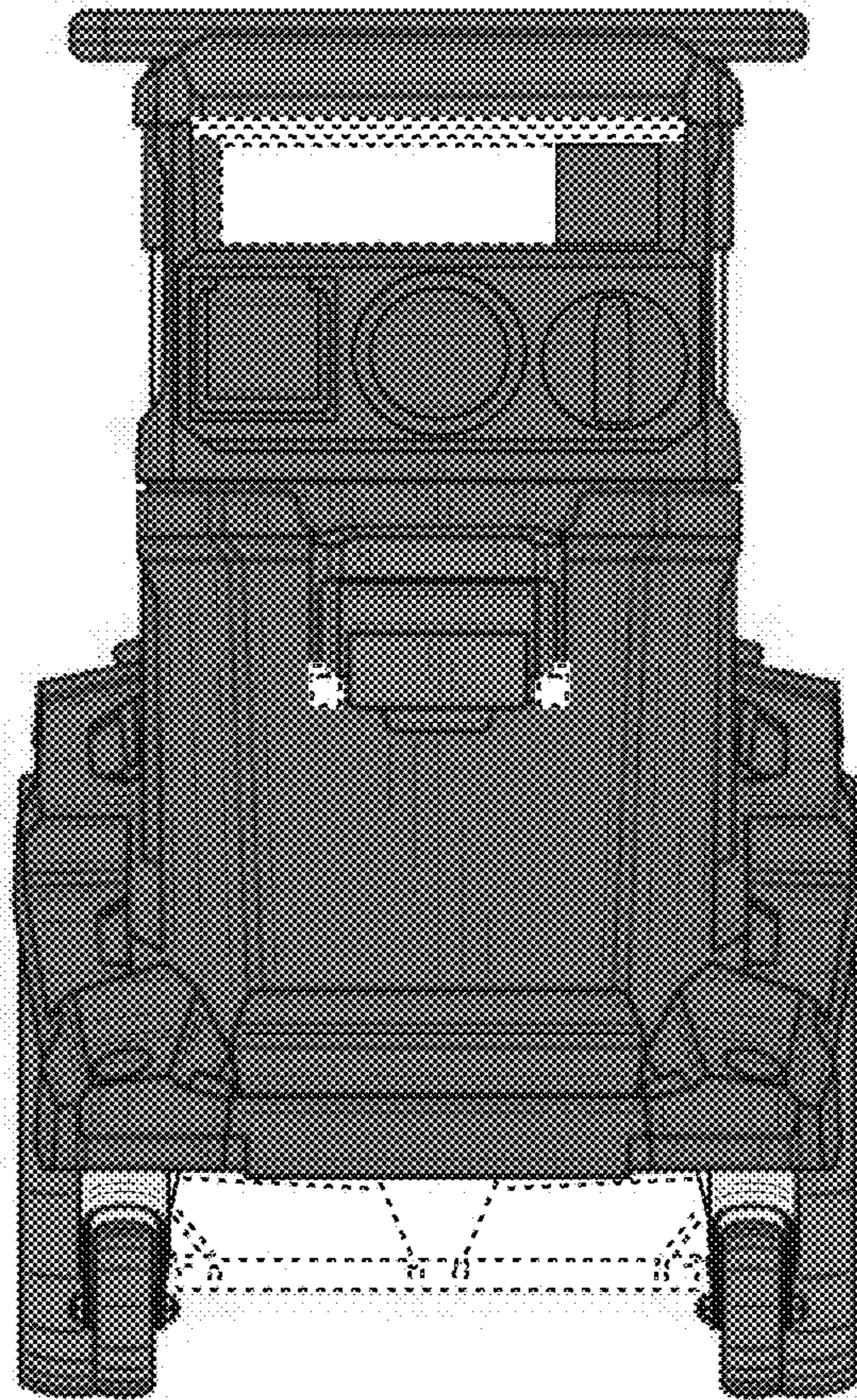


FIG. 11

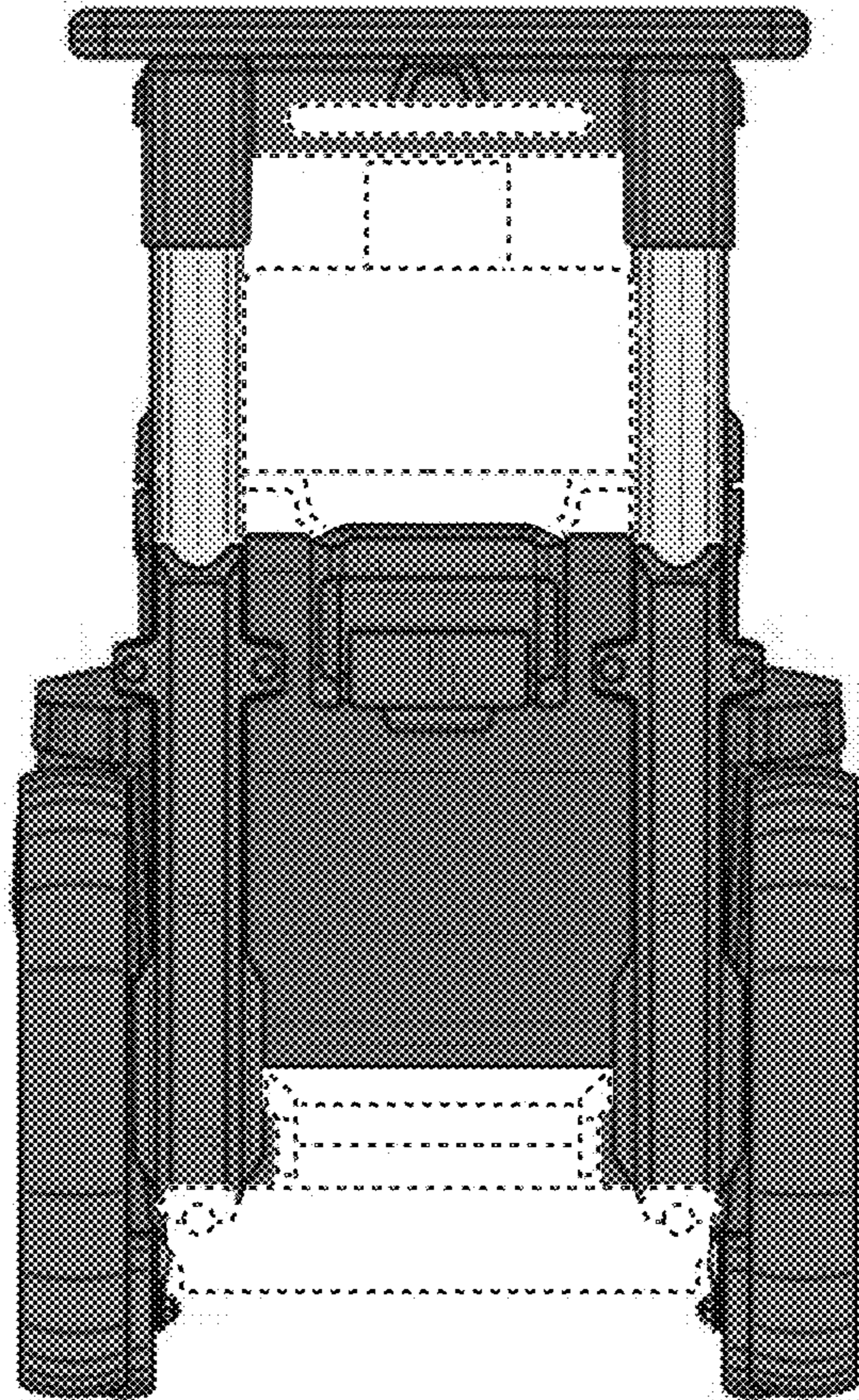


FIG. 12

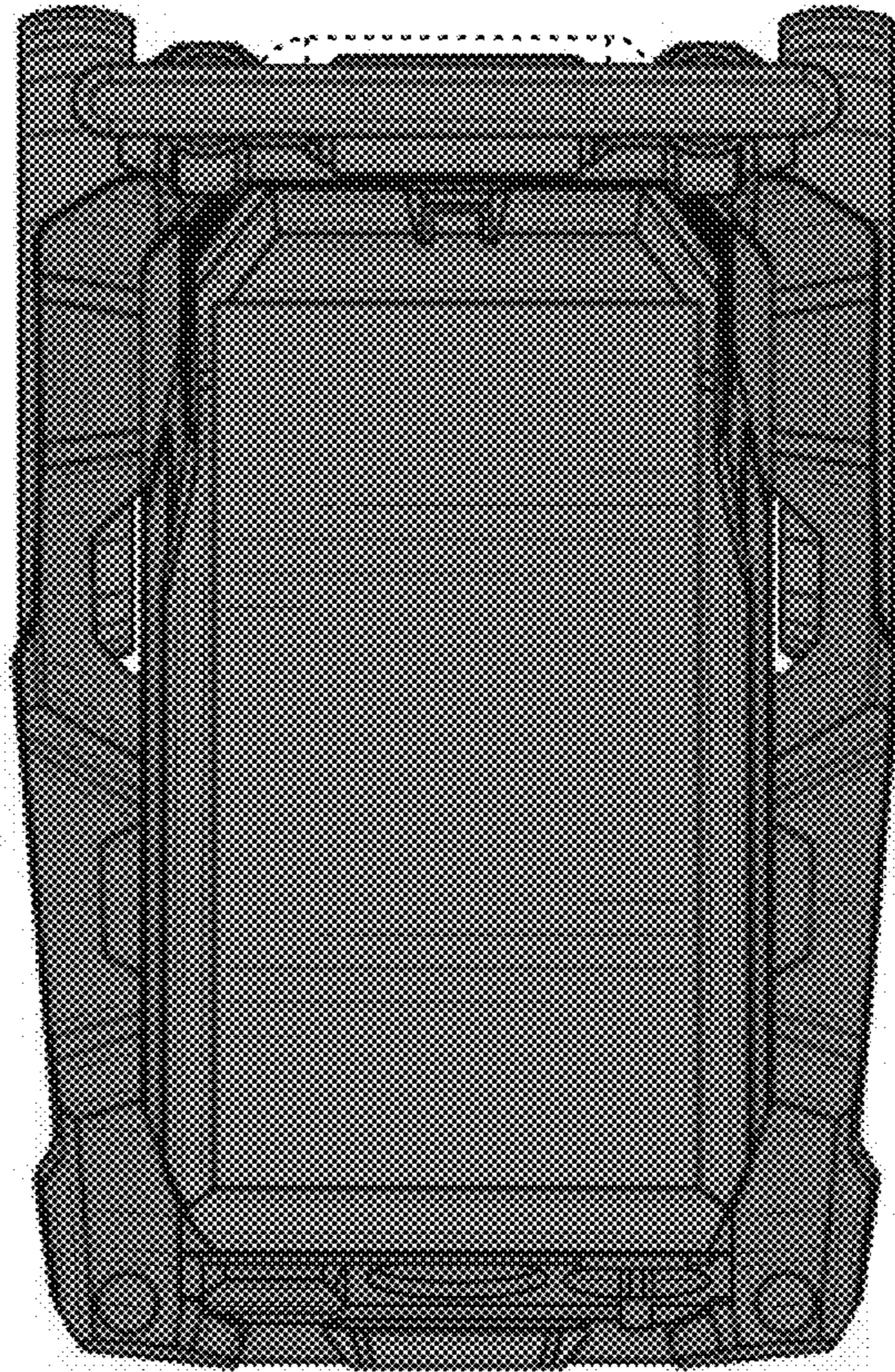


FIG. 13

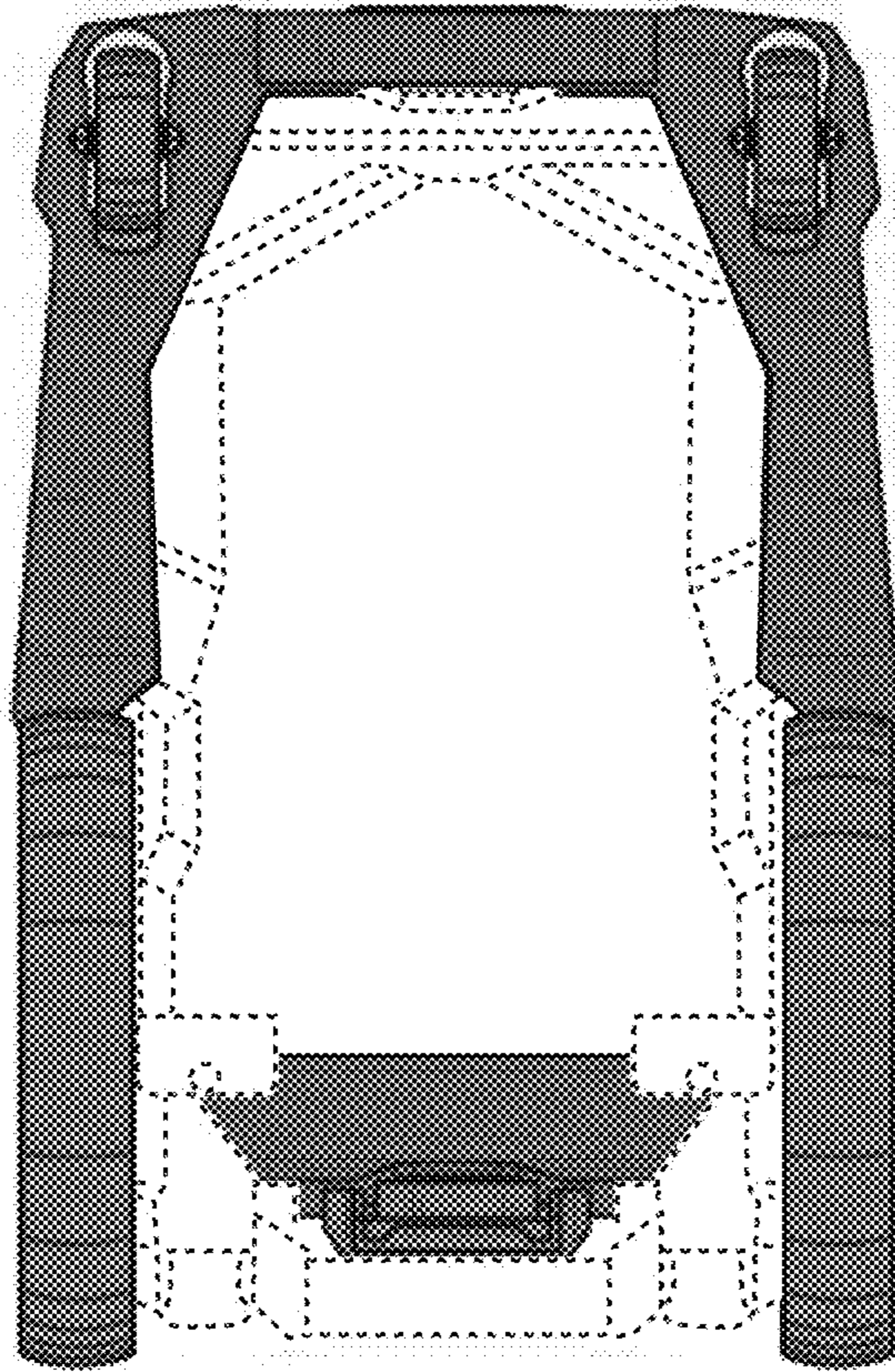


FIG. 14