



US00D966637S

(12) **United States Design Patent**
Xu

(10) **Patent No.:** **US D966,637 S**
(45) **Date of Patent:** **** Oct. 11, 2022**

(54) **VACUUM CLEANER**

(71) Applicant: **Suzhou Sweep Electric Appliance Co., Ltd., Suzhou (CN)**

(72) Inventor: **Dongliang Xu, Suzhou (CN)**

(**) Term: **15 Years**

(21) Appl. No.: **29/783,878**

(22) Filed: **May 17, 2021**

(30) **Foreign Application Priority Data**

Apr. 22, 2021 (CN) 202130232486.2

(51) **LOC (13) Cl.** **15-05**

(52) **U.S. Cl.**
USPC **D32/18**

(58) **Field of Classification Search**
USPC D32/17, 18, 21, 25, 31, 32, 33, 34
CPC A47L 11/24; A47L 11/33; A47L 11/32;
A47L 9/1666; A47L 9/1608; A47L 11/00;
A47L 11/38; Y10S 55/03
See application file for complete search history.

(56) **References Cited**

U.S. PATENT DOCUMENTS

D668,010 S *	9/2012	Stickney	D32/18
D668,823 S *	10/2012	Stickney	D32/18
D818,222 S *	5/2018	Nam	D32/18
D818,223 S *	5/2018	Nam	D32/18
D826,493 S *	8/2018	Nam	D32/18
D839,509 S *	1/2019	Nam	D32/18
D839,510 S *	1/2019	Nam	D32/18
D863,700 S	10/2019	Tang	
D872,398 S *	1/2020	Yang	D32/31
D879,395 S	3/2020	Pearce et al.	
D891,015 S	7/2020	Palladino et al.	
D915,697 S *	4/2021	Kim	B01D 46/62 D32/18
D918,504 S *	5/2021	Kim	D32/31

D927,103 S *	8/2021	Zou	D32/18
2016/0113460 A1 *	4/2016	Williams	A47L 9/1683 55/438
2016/0113464 A1 *	4/2016	Williams	B04C 5/28 55/343

(Continued)

FOREIGN PATENT DOCUMENTS

EM	008543359-0001	*	5/2021
GB	6132570	*	4/2021

OTHER PUBLICATIONS

Amazon.couk Wowgo https://www.amazon.co.uk/WOWGO-Lightweight-Removeable-Filtration-Telescopic/dp/B08HMKMXD4/ref=sr_1_22_sspa (Year: 2020).*

Primary Examiner — Michelle E. Wilson
Assistant Examiner — Richard E Yenchesky

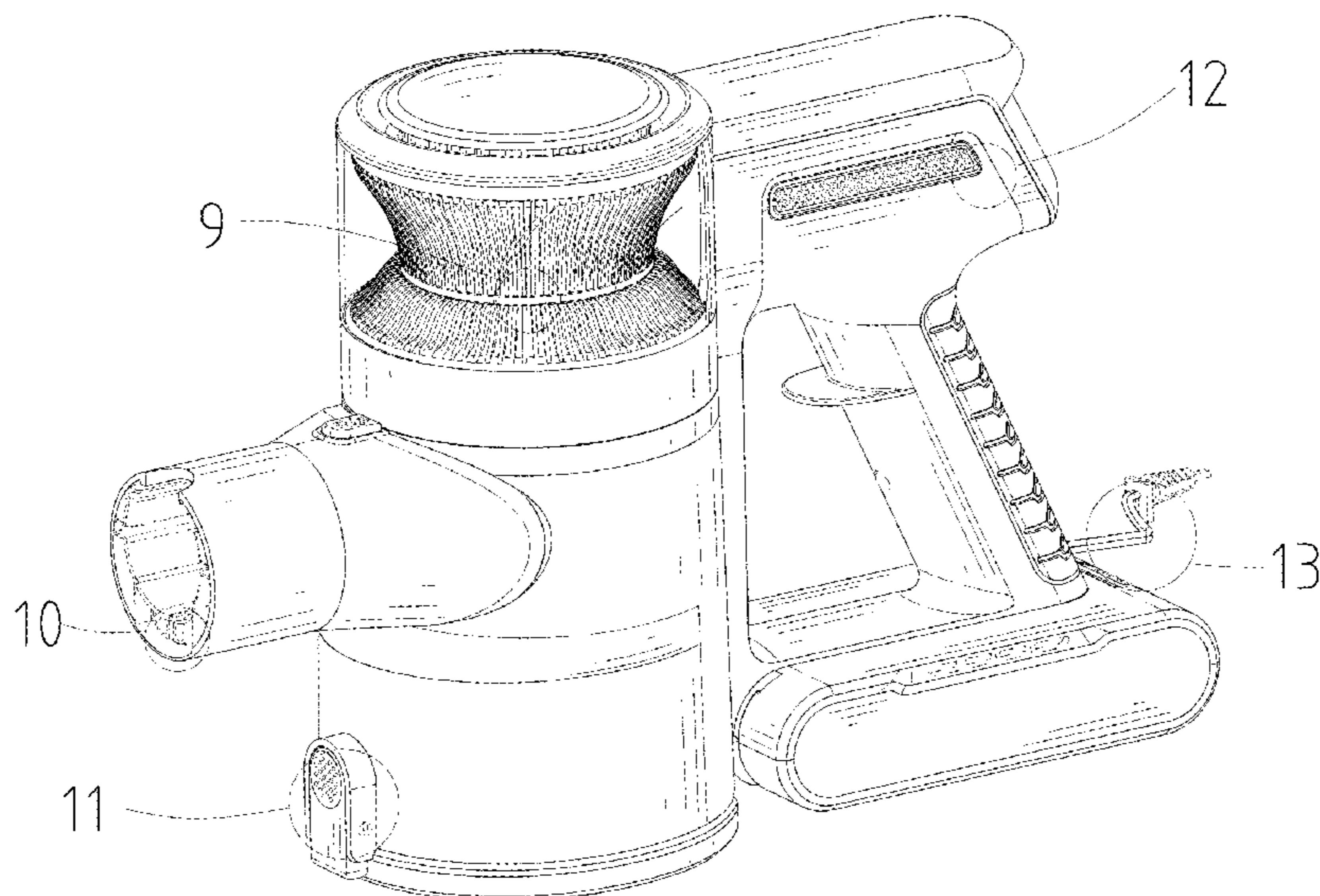
(57) **CLAIM**

The ornamental design for a vacuum cleaner, as shown and described.

DESCRIPTION

FIG. 1 is a first perspective view of a vacuum cleaner showing my new design;
FIG. 2 is a second perspective view thereof;
FIG. 3 is a front view thereof;
FIG. 4 is a back view thereof;
FIG. 5 is a left side view thereof;
FIG. 6 is a right side view thereof;
FIG. 7 is a top view thereof;
FIG. 8 is a bottom view thereof;
FIG. 9 is an enlarged view of the selected portion in FIG. 1; and,
FIG. 10 is an enlarged view of the selected portion in FIG. 2.
The broken lines shown in the drawings depict portions of the vacuum cleaner that form no part of the claimed design.

1 Claim, 10 Drawing Sheets



(56)

References Cited

U.S. PATENT DOCUMENTS

2019/0133390 A1* 5/2019 Nam A47L 9/12
2019/0183301 A1* 6/2019 Hwang A47L 9/322
2019/0335965 A1* 11/2019 Yang A47L 9/22
2020/0037834 A1* 2/2020 Li A47L 9/0081
2020/0113400 A1* 4/2020 Hwang A47L 9/2857
2020/0383543 A1* 12/2020 Yang A47L 9/127
2020/0383545 A1* 12/2020 Eo A47L 9/1641
2021/0038035 A1* 2/2021 Hwang A47L 9/1641
2021/0052121 A1* 2/2021 Kim A47L 9/1683
2021/0093140 A1* 4/2021 Yang A47L 9/1641
2021/0161344 A1* 6/2021 Ryu A47L 5/36
2021/0204777 A1* 7/2021 Hyun A47L 9/1641
2021/0212529 A1* 7/2021 Hyun A47L 9/2884
2021/0212537 A1* 7/2021 Cho A47L 9/1666
2021/0259493 A1* 8/2021 Her A47L 9/2821
2022/0022710 A1* 1/2022 Lee A47L 5/24
2022/0047132 A1* 2/2022 Lee A47L 9/322

* cited by examiner

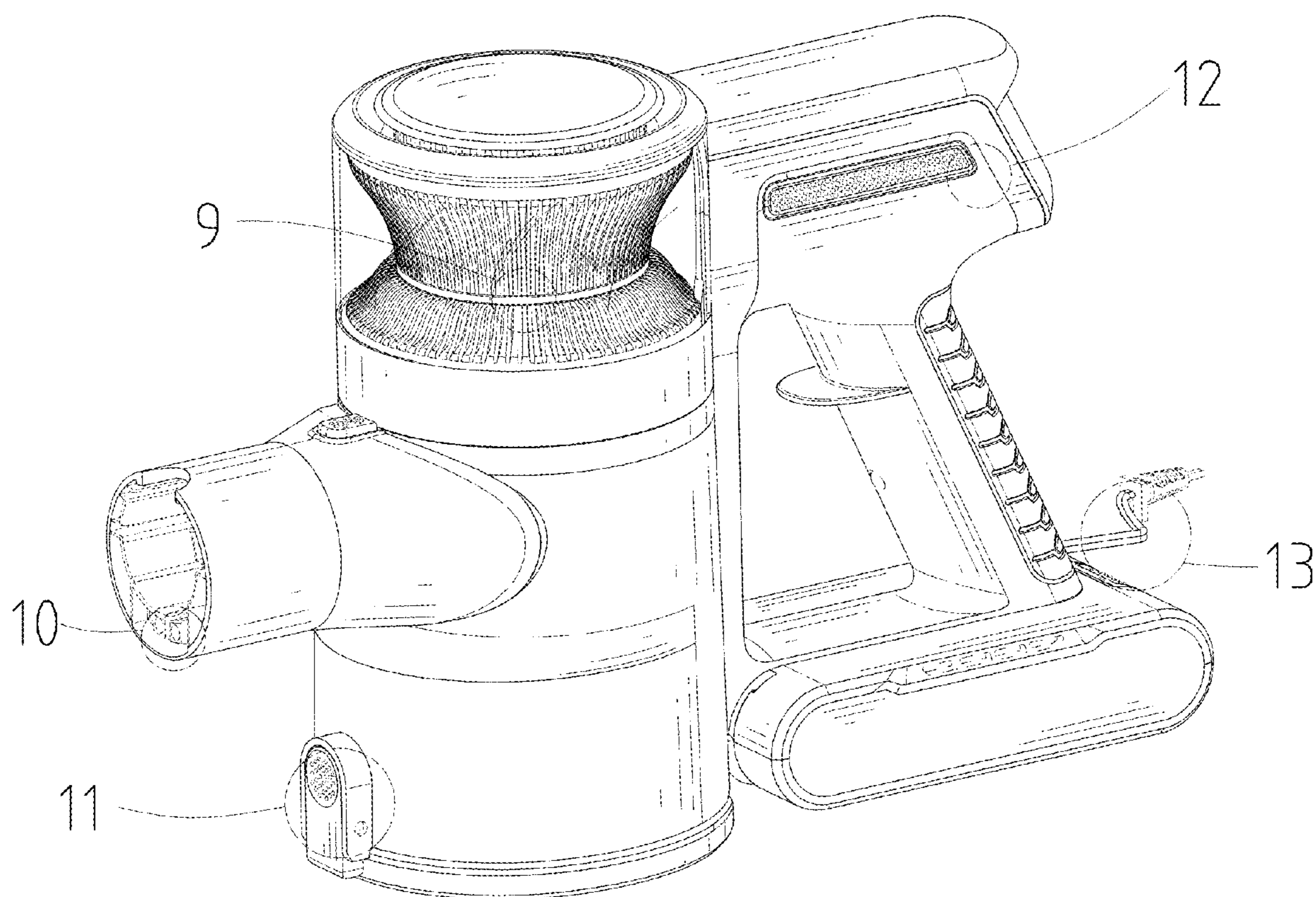


FIG. 1

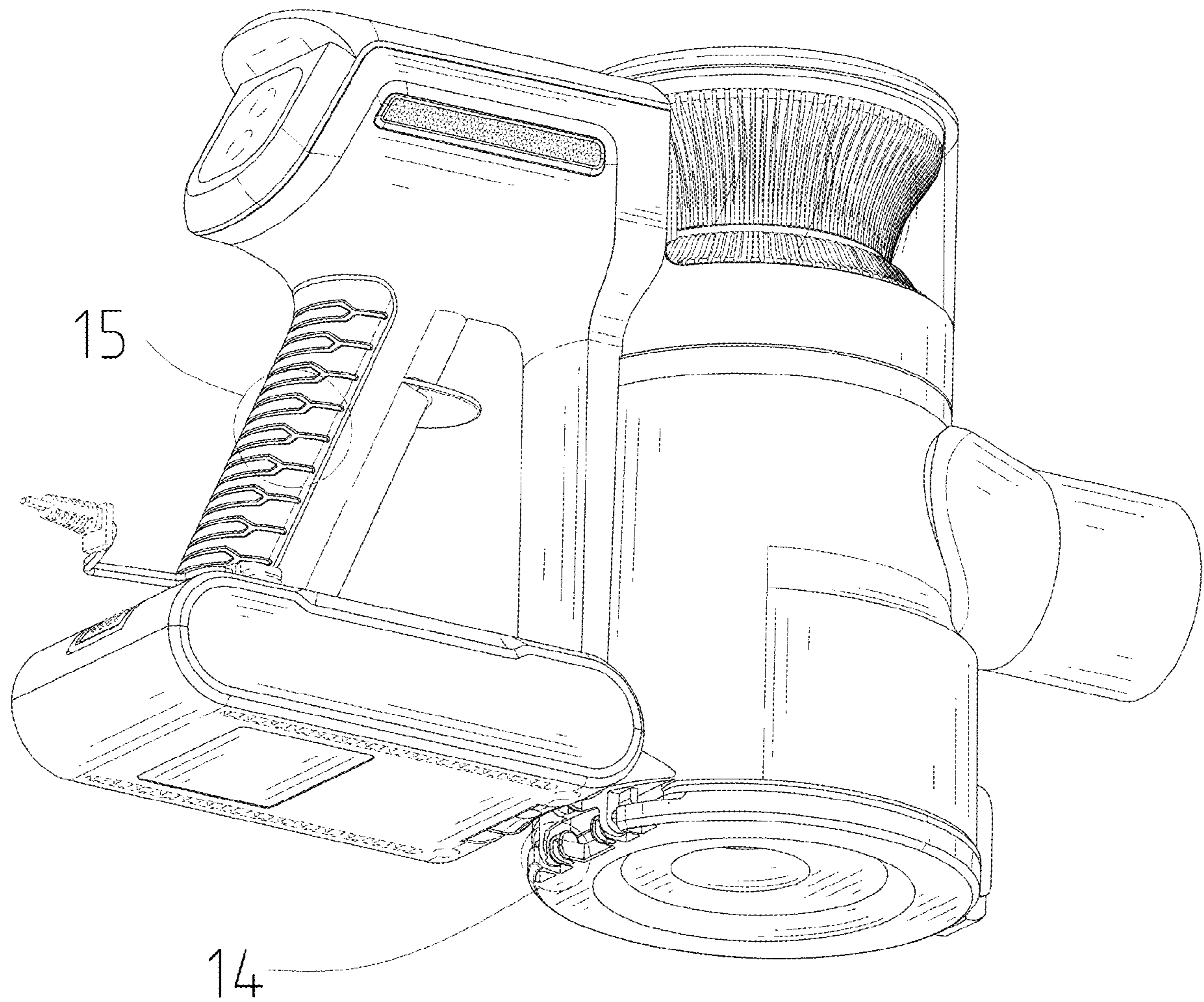


FIG. 2

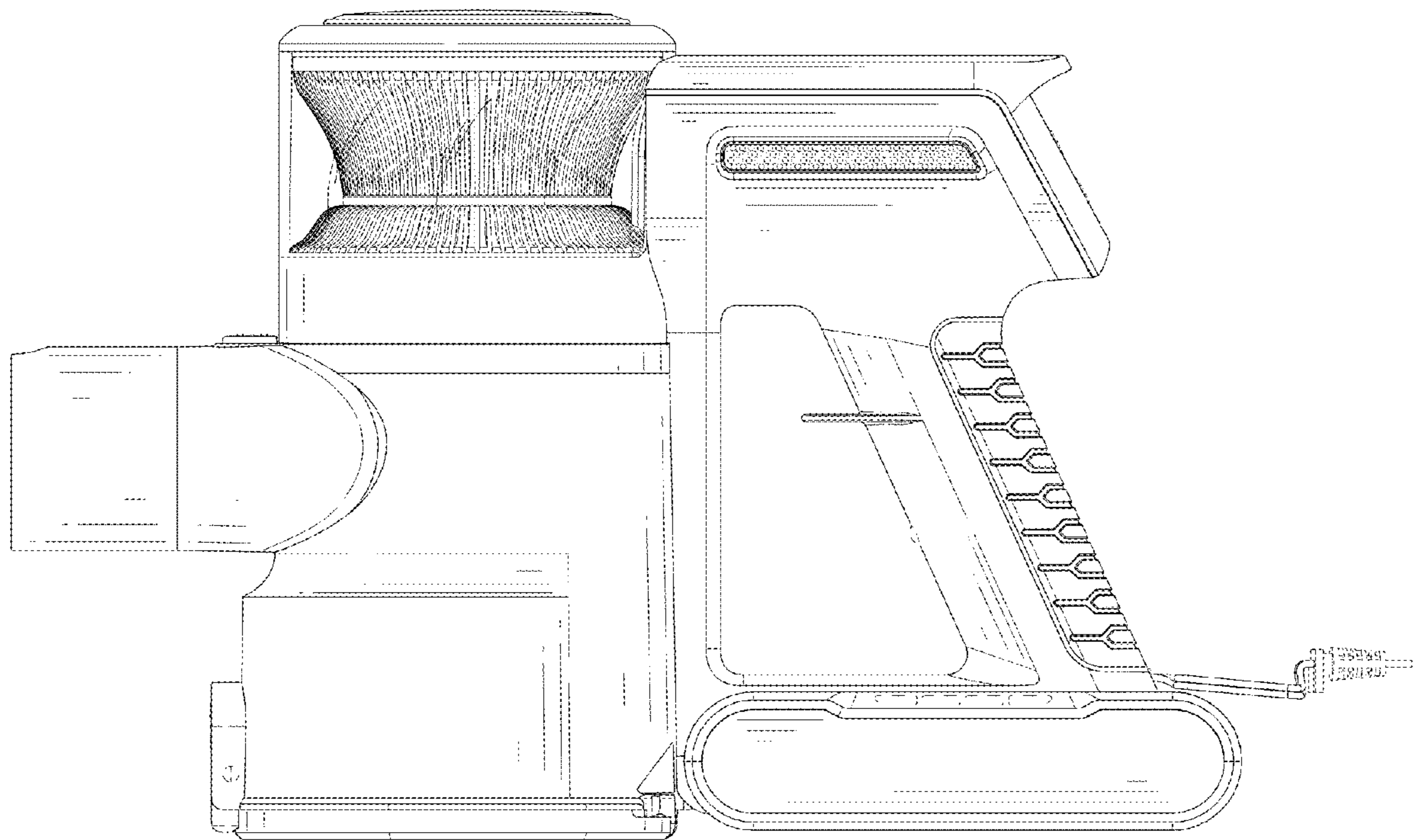


FIG. 3

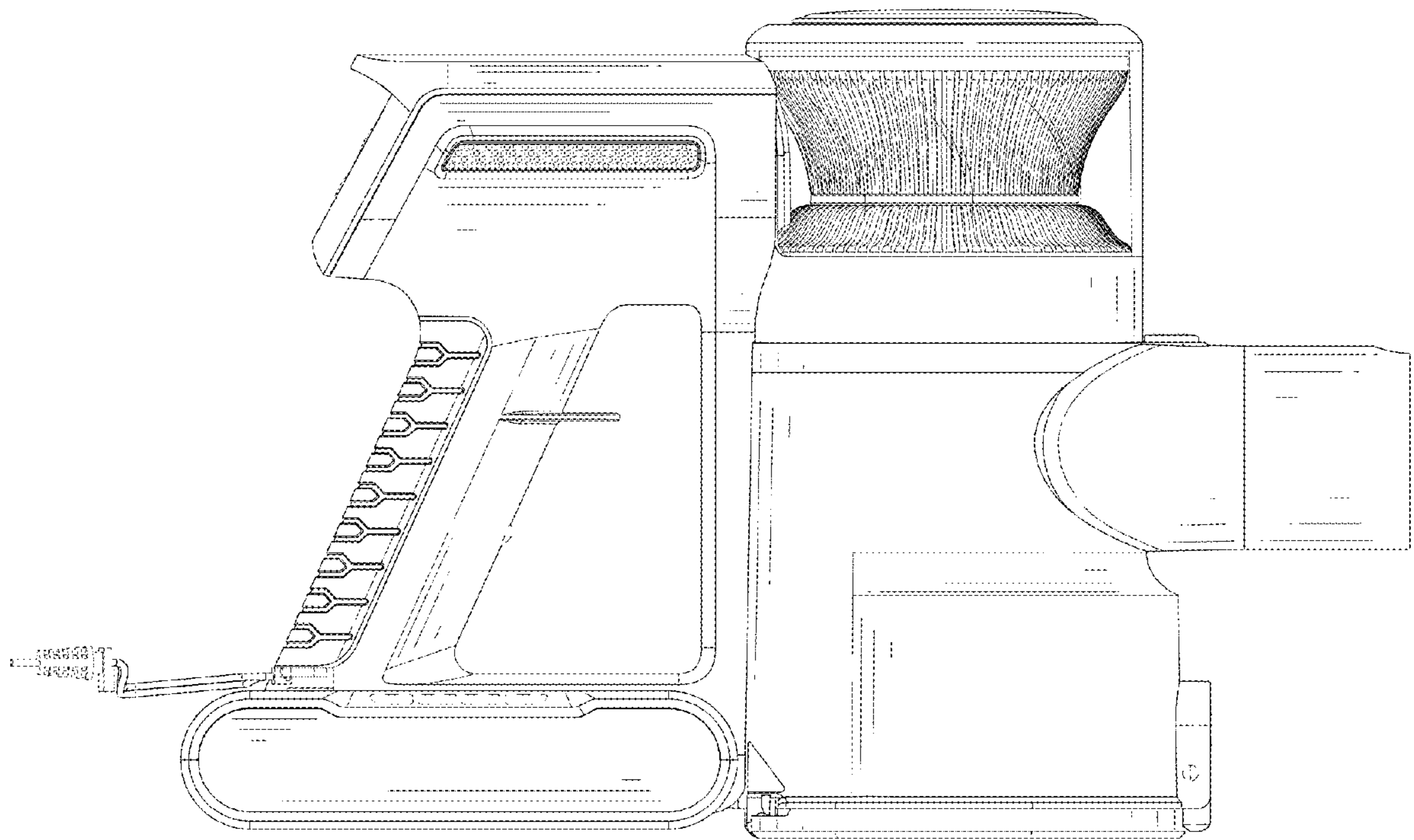


FIG. 4

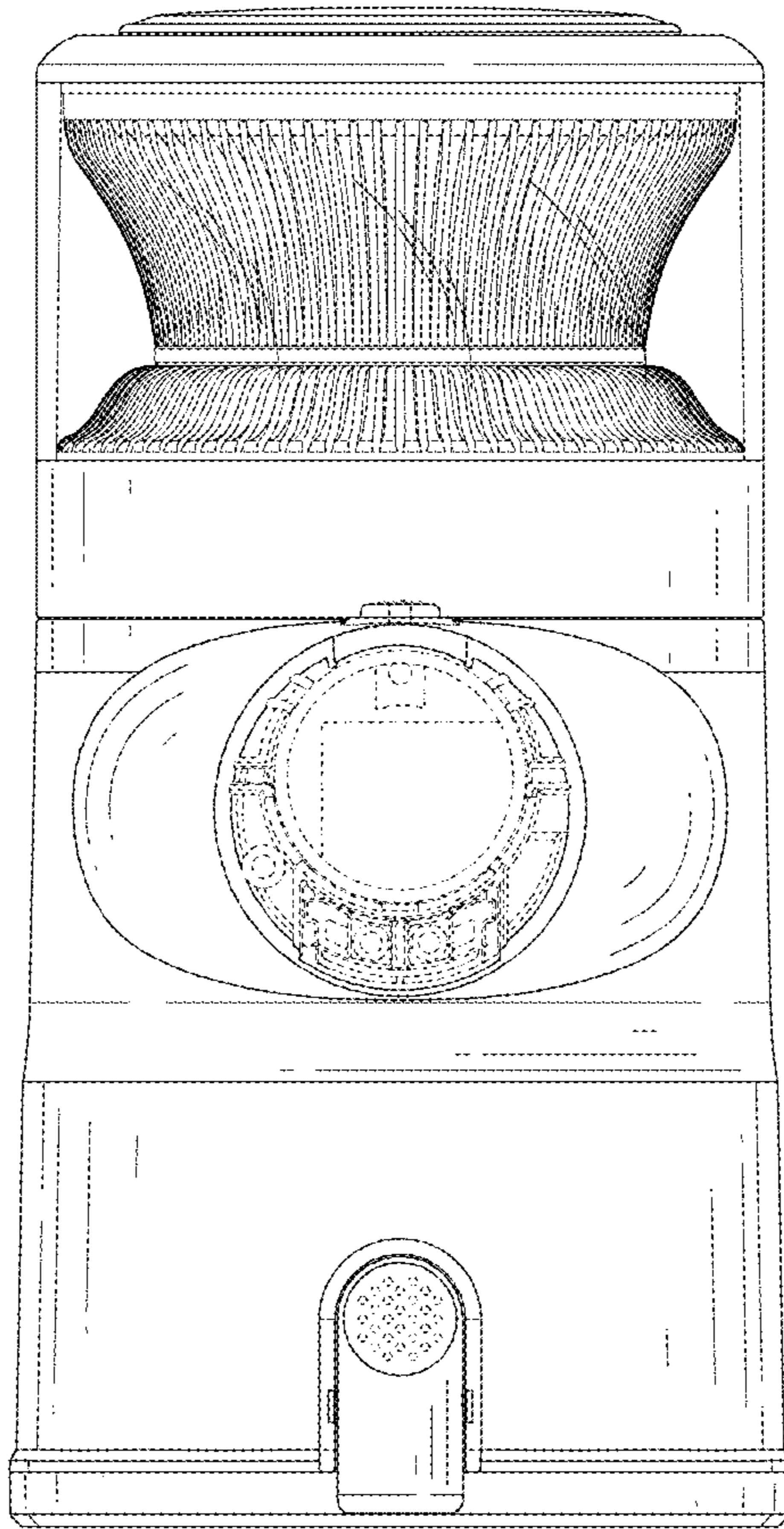


FIG. 5

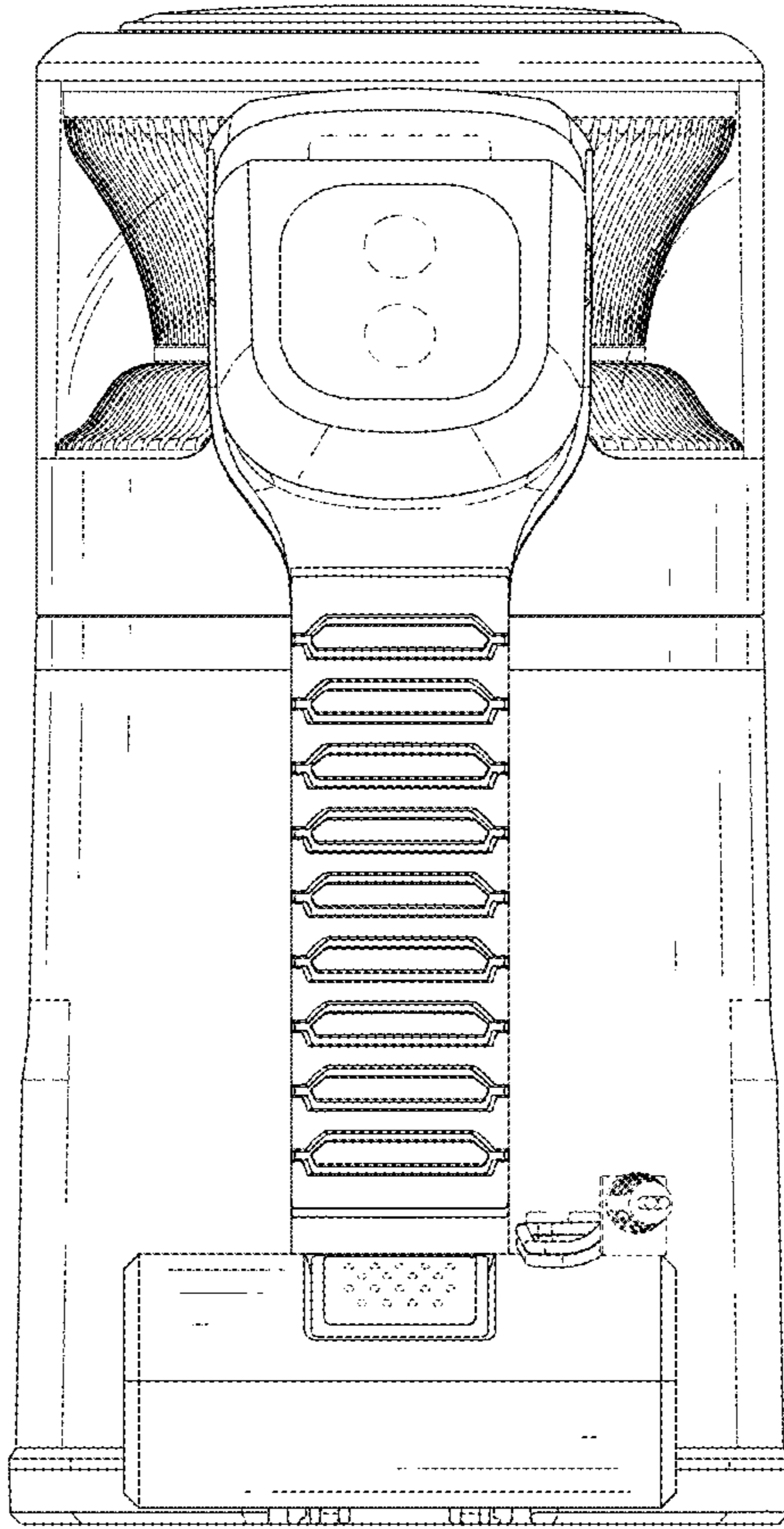


FIG. 6

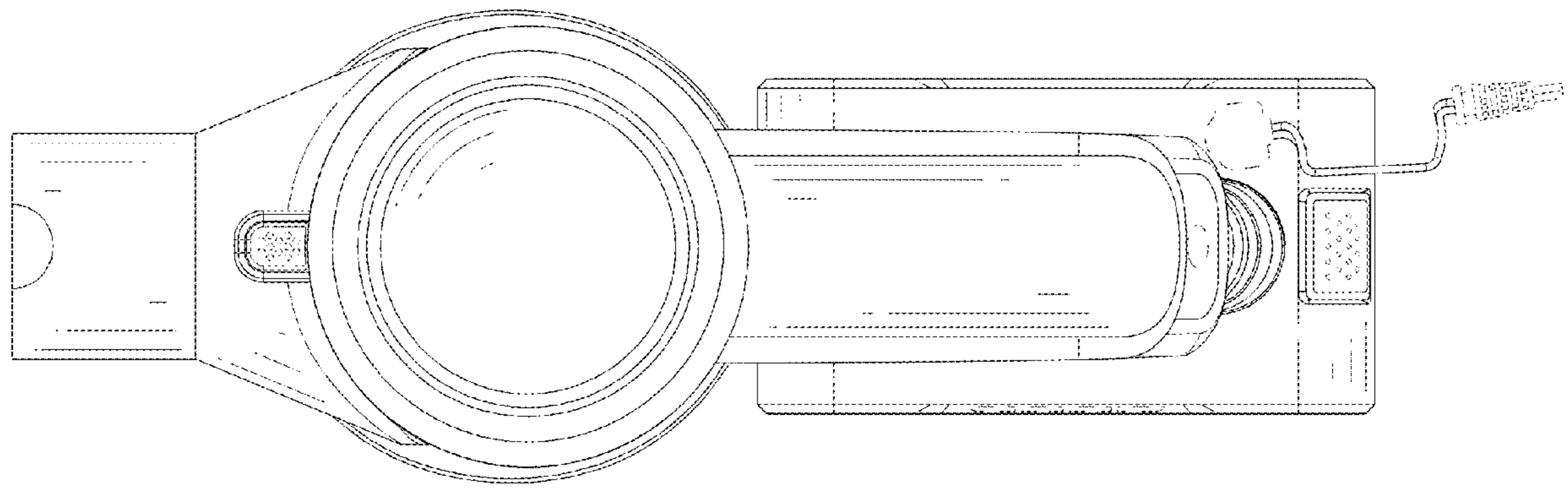


FIG. 7

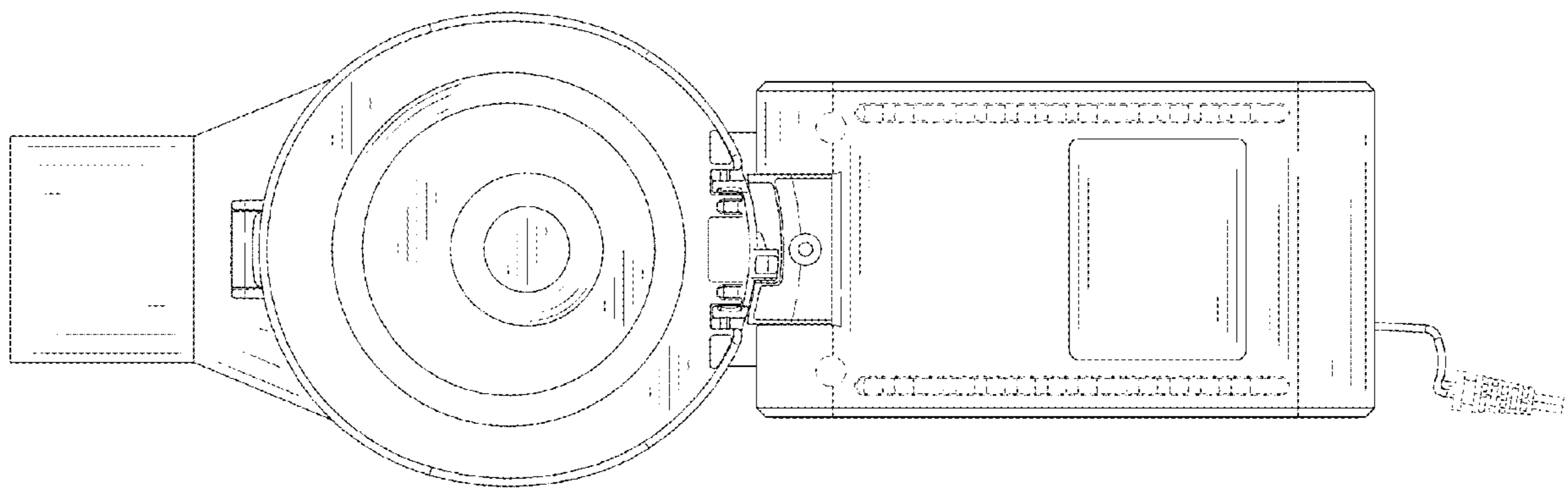


FIG. 8

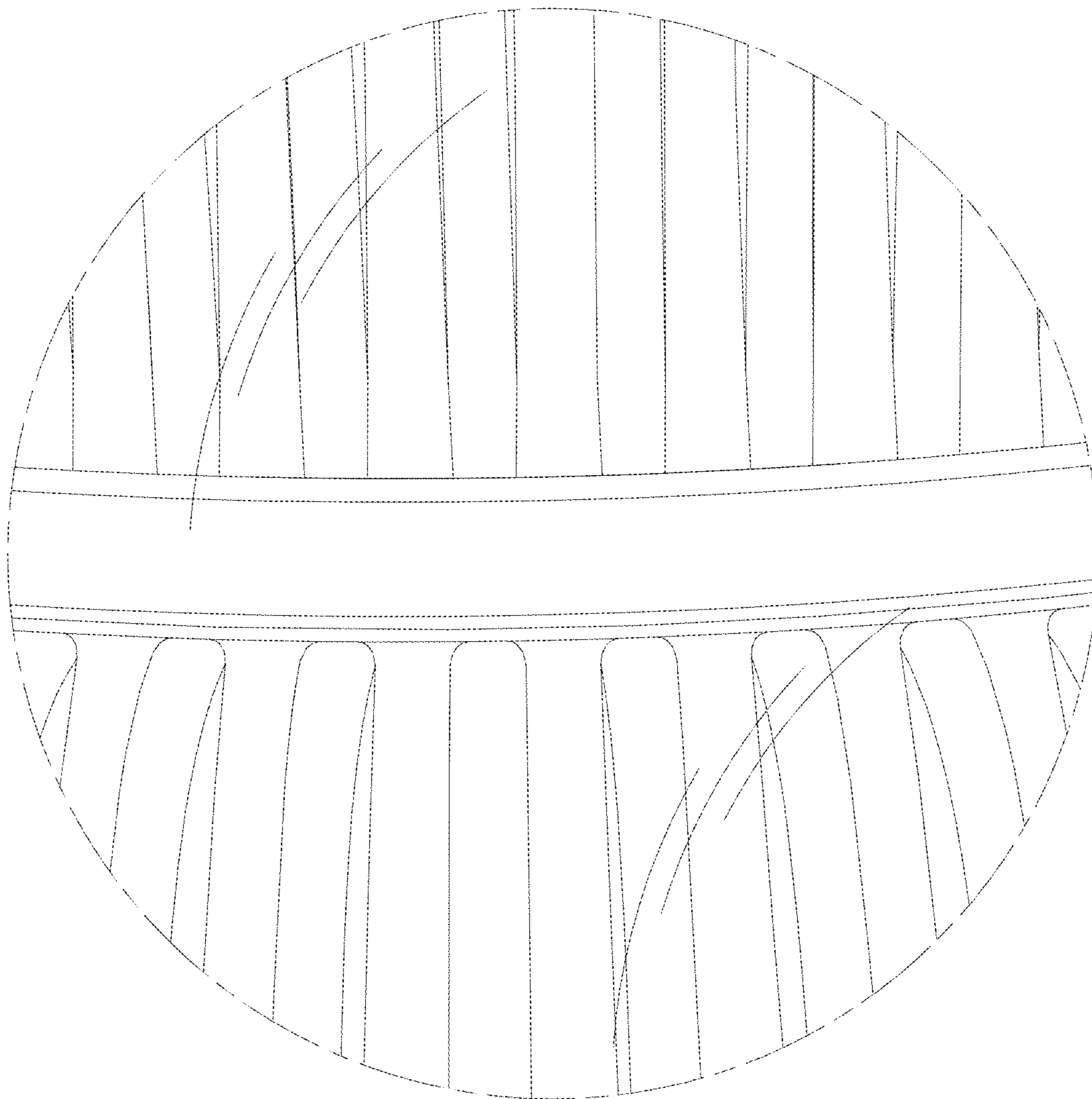


FIG. 9

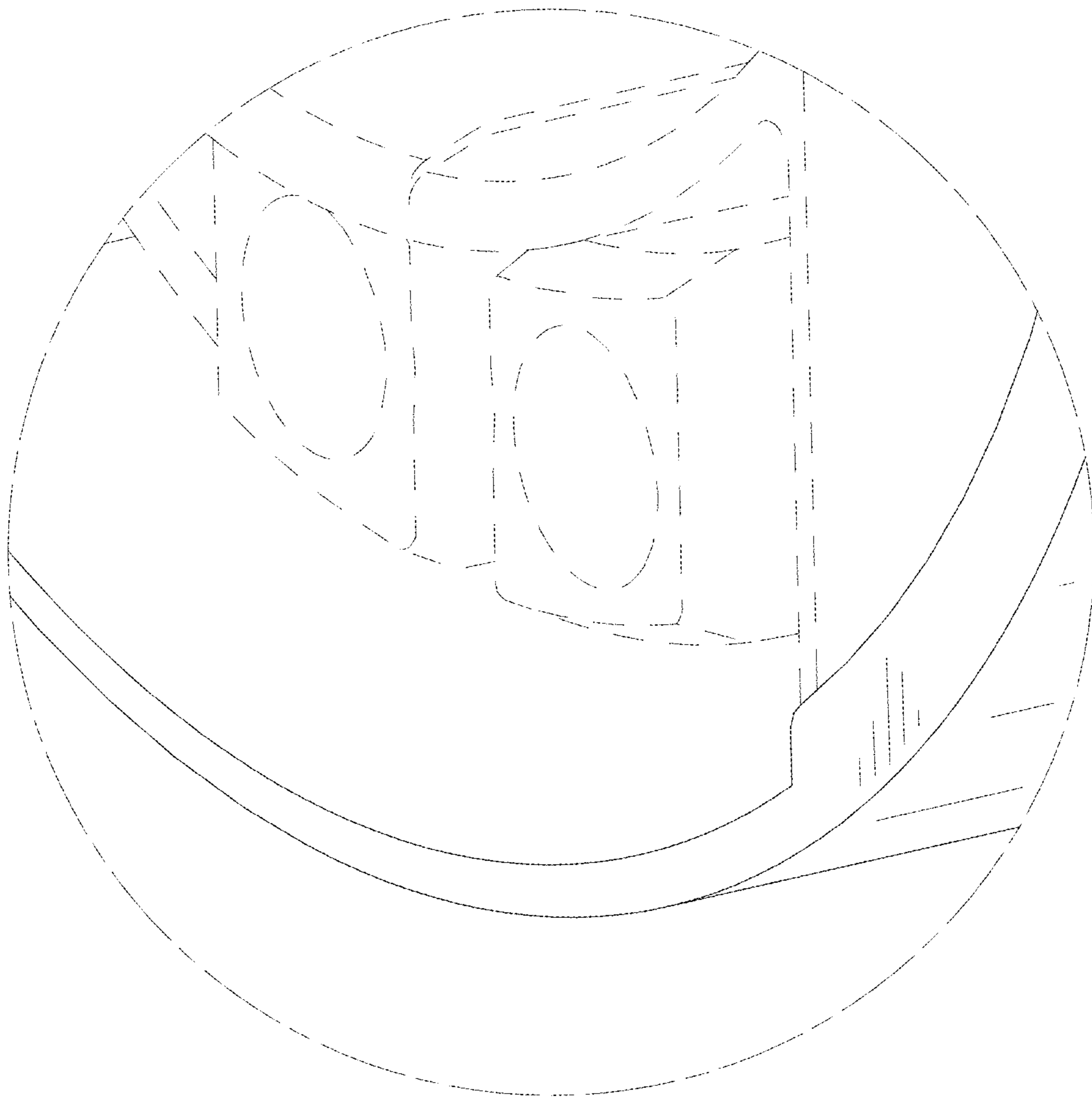


FIG. 10