



US00D966636S

(12) **United States Design Patent** (10) **Patent No.:** **US D966,636 S**
Lai (45) **Date of Patent:** **** Oct. 11, 2022**

(54) **HANDHELD STEAM APPLIANCE WITH REFILLING CRADLE**

(71) Applicant: **Conair Corporation**, Stamford, CT (US)

(72) Inventor: **Kin Man Lai**, Wu Kai Sha (HK)

(73) Assignee: **Conair LLC**, Stamford, CT (US)

(**) Term: **15 Years**

(21) Appl. No.: **29/763,093**

(22) Filed: **Dec. 21, 2020**

(51) **LOC (13) Cl.** **15-05**

(52) **U.S. Cl.**
USPC **D32/17**

(58) **Field of Classification Search**
USPC D32/68, 70, 35, 17
CPC D06F 75/08; D06F 75/10; D06F 75/12;
D06F 75/24; D06F 75/18; B24B 45/006
See application file for complete search history.

(56) **References Cited**

U.S. PATENT DOCUMENTS

4,051,205	A	9/1977	Grant	
4,098,853	A	7/1978	Brown	
4,535,556	A	8/1985	Cavalli	
5,142,124	A	8/1992	Driessen	
5,404,662	A	4/1995	Patrick	
5,414,945	A	5/1995	Freeman et al.	
D376,694	S *	12/1996	Aiyar	D4/127
6,248,007	B1 *	6/2001	deBlois	B25F 5/02 451/344
6,997,183	B2	2/2006	Koch	

(Continued)

FOREIGN PATENT DOCUMENTS

CN	108914521	A	11/2018
CN	306922148	*	11/2021

(Continued)

OTHER PUBLICATIONS

International Search Report dated Mar. 2, 2022 from International Patent Application No. PCT/US2021/063538, 3 pages.

(Continued)

Primary Examiner — Kevin K Rudzinski

Assistant Examiner — Richard E Yenchesky

(74) *Attorney, Agent, or Firm* — Ruggiero McAllister & McMahon LLC

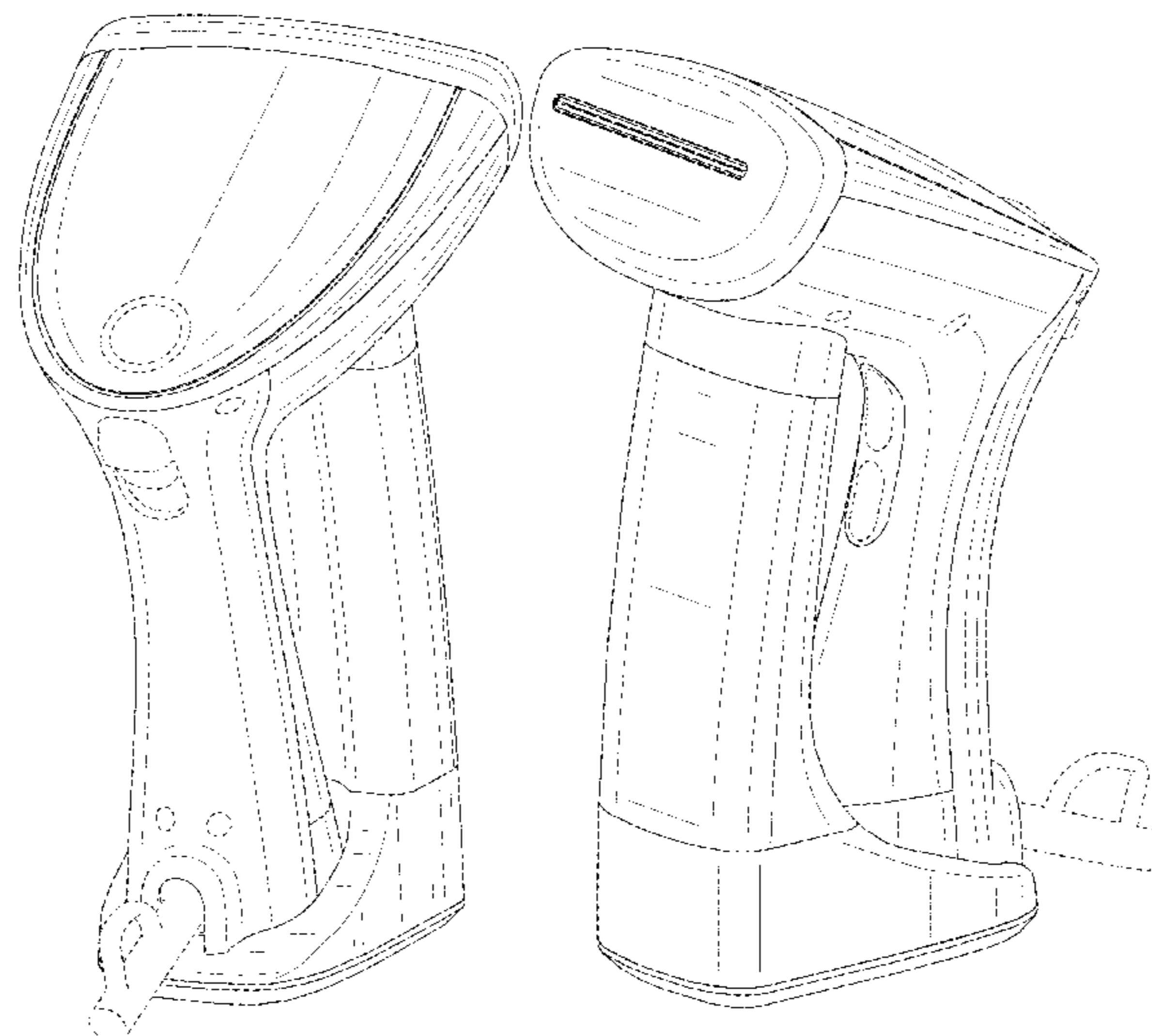
(57) **CLAIM**

The ornamental design for a handheld steam appliance with refilling cradle, as shown and described.

DESCRIPTION

FIG. 1 is a rear left side perspective view of an ornamental design for a handheld steam appliance with refilling cradle according to the present invention; FIG. 2 is front right side perspective view of the handheld steam appliance with refilling cradle of FIG. 1; FIG. 3 is a rear elevational view of the handheld steam appliance with refilling cradle of FIG. 1; FIG. 4 is a front elevational view of the handheld steam appliance with refilling cradle of FIG. 1; FIG. 5 is a right side elevational view of the handheld steam appliance with refilling cradle of FIG. 1, and the view of the handheld steam appliance with refilling cradle that is rotated 180 degrees from FIG. 5 is a mirror image of FIG. 5; FIG. 6 is a top plan view of the handheld steam appliance with refilling cradle of FIG. 1; and, FIG. 7 is a bottom plan view of the handheld steam appliance with refilling cradle of FIG. 1. The broken lines in FIGS. 1-7 are for the purpose of illustrating environmental structure and forms no part of the claimed design.

1 Claim, 7 Drawing Sheets



(56)

References Cited

U.S. PATENT DOCUMENTS

7,182,321 B2 2/2007 Huang
 D574,568 S * 8/2008 Lee D32/70
 D589,663 S * 3/2009 Massip D32/17
 D592,365 S * 5/2009 Massip D32/17
 D670,876 S * 11/2012 Vrdoljak D32/17
 D704,399 S * 5/2014 Crawley D32/17
 8,777,187 B2 7/2014 Wong
 8,893,410 B2 * 11/2014 Vrdoljak D06F 75/30
 68/222
 D776,887 S * 1/2017 Deffrennes D32/17
 9,845,568 B2 * 12/2017 Fung D06F 75/10
 9,854,824 B2 1/2018 Everett, Jr. et al.
 D831,905 S * 10/2018 Benacquisto D30/158
 D842,559 S * 3/2019 Yang D32/17
 D857,313 S * 8/2019 Smith D32/17
 10,758,702 B2 9/2020 Liu
 D921,305 S * 6/2021 Zhu D32/17
 D924,520 S * 7/2021 Bae D32/70
 D930,925 S * 9/2021 Wong D32/17
 D940,971 S * 1/2022 Yang D32/17
 D942,098 S * 1/2022 Xing D32/17
 2002/0157288 A1 10/2002 Valiyambath

2009/0281523 A1 * 11/2009 Sacco G16H 20/40
 705/2
 2010/0024492 A1 2/2010 Leung
 2011/0173849 A1 7/2011 Pan
 2012/0039586 A1 2/2012 Collinson et al.
 2012/0181262 A1 * 7/2012 Shimosaka D06F 75/38
 38/82
 2017/0260685 A1 * 9/2017 Fung D06F 75/18
 2018/0305855 A1 * 10/2018 Javit D06F 75/12
 2020/0056320 A1 * 2/2020 Lin D06F 87/00
 2021/0277591 A1 * 9/2021 Lai D06F 75/38
 2021/0324571 A1 * 10/2021 Lai D06F 75/30

FOREIGN PATENT DOCUMENTS

GB 616571 A 1/1949
 WO 0153596 A1 7/2011

OTHER PUBLICATIONS

Written Opinion dated Mar. 2, 2022 from International Patent Application No. PCT/US2021/063538, 8 pages.

* cited by examiner

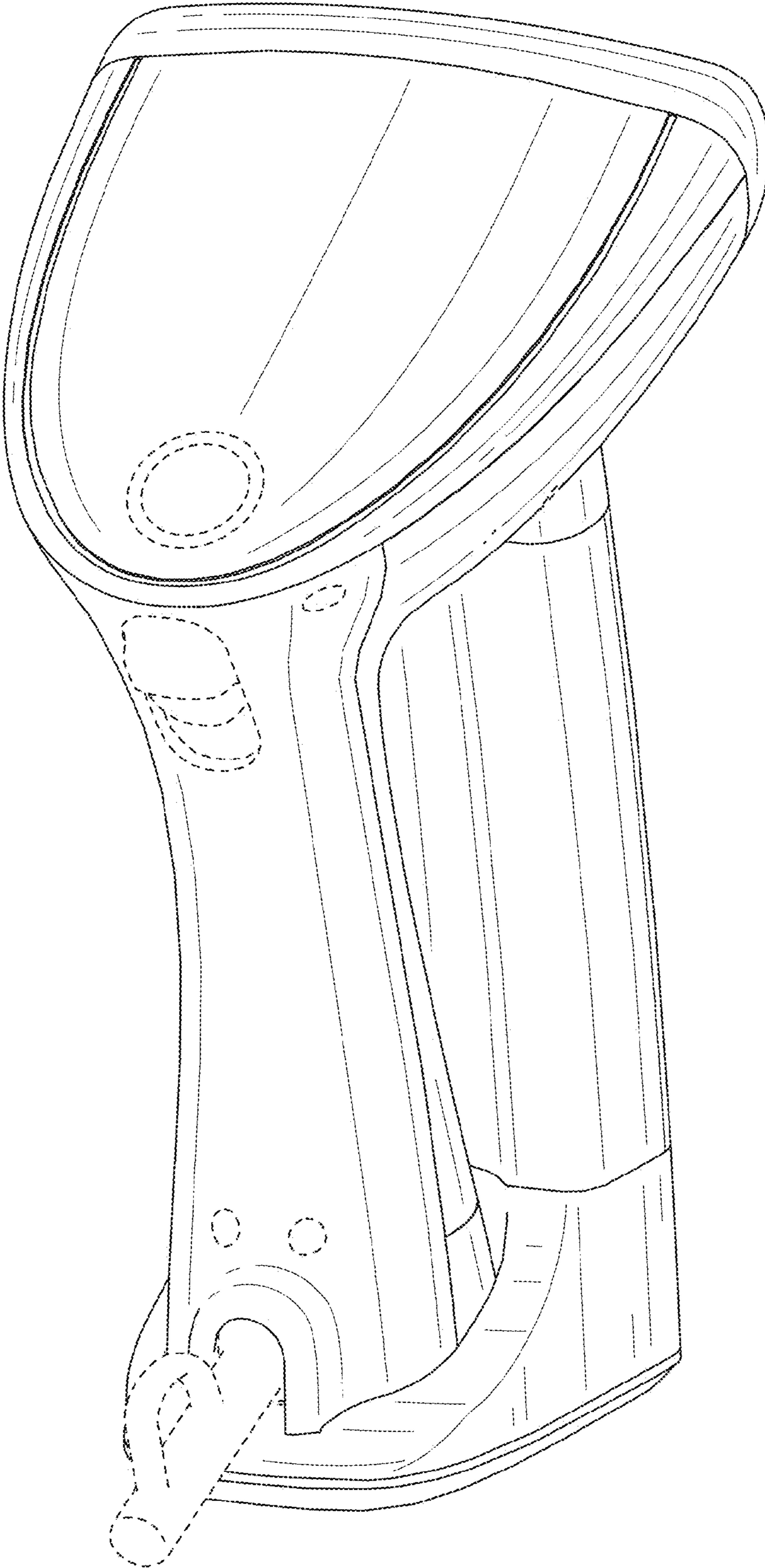


FIG. 1

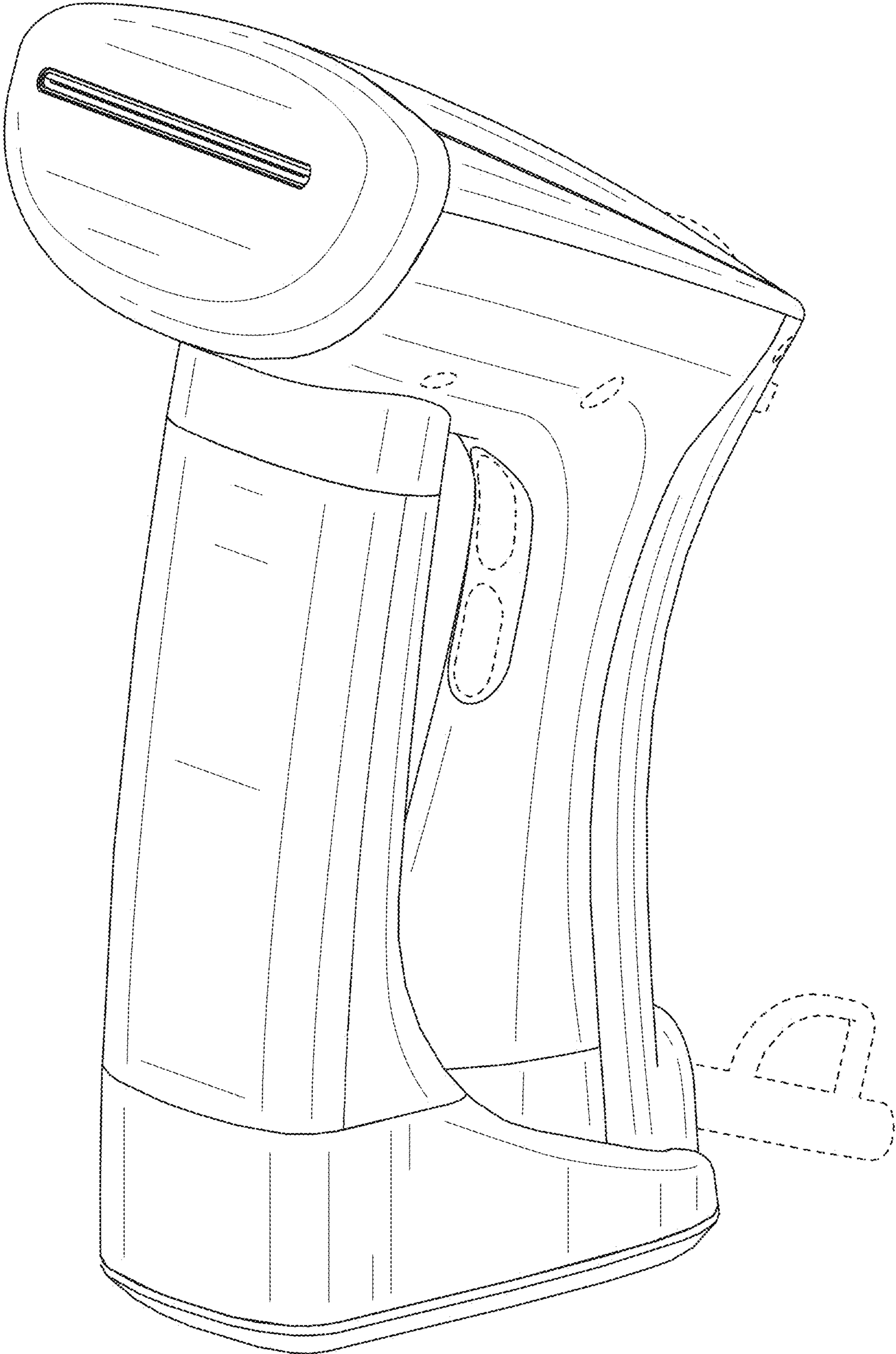


FIG. 2

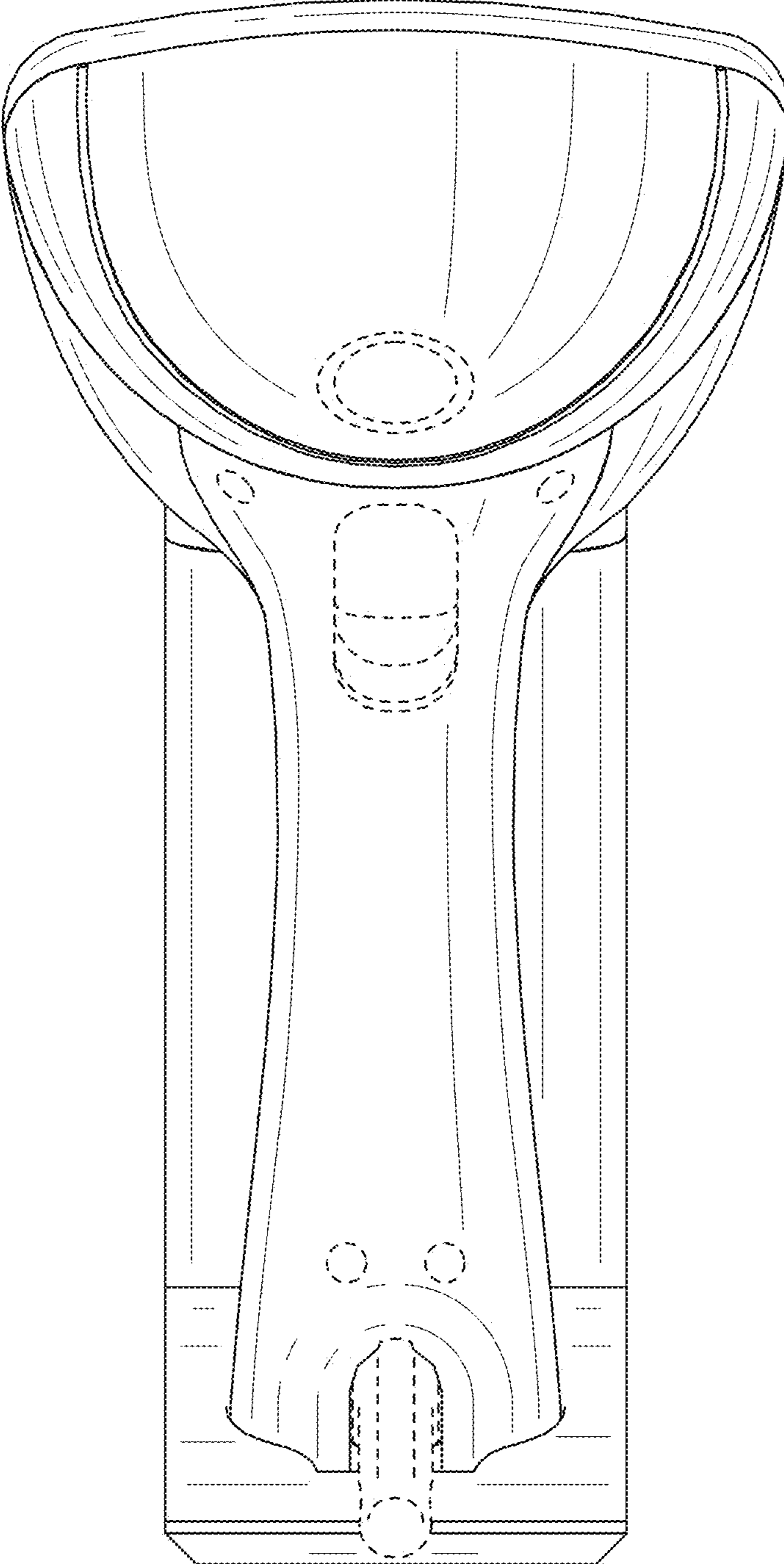


FIG. 3

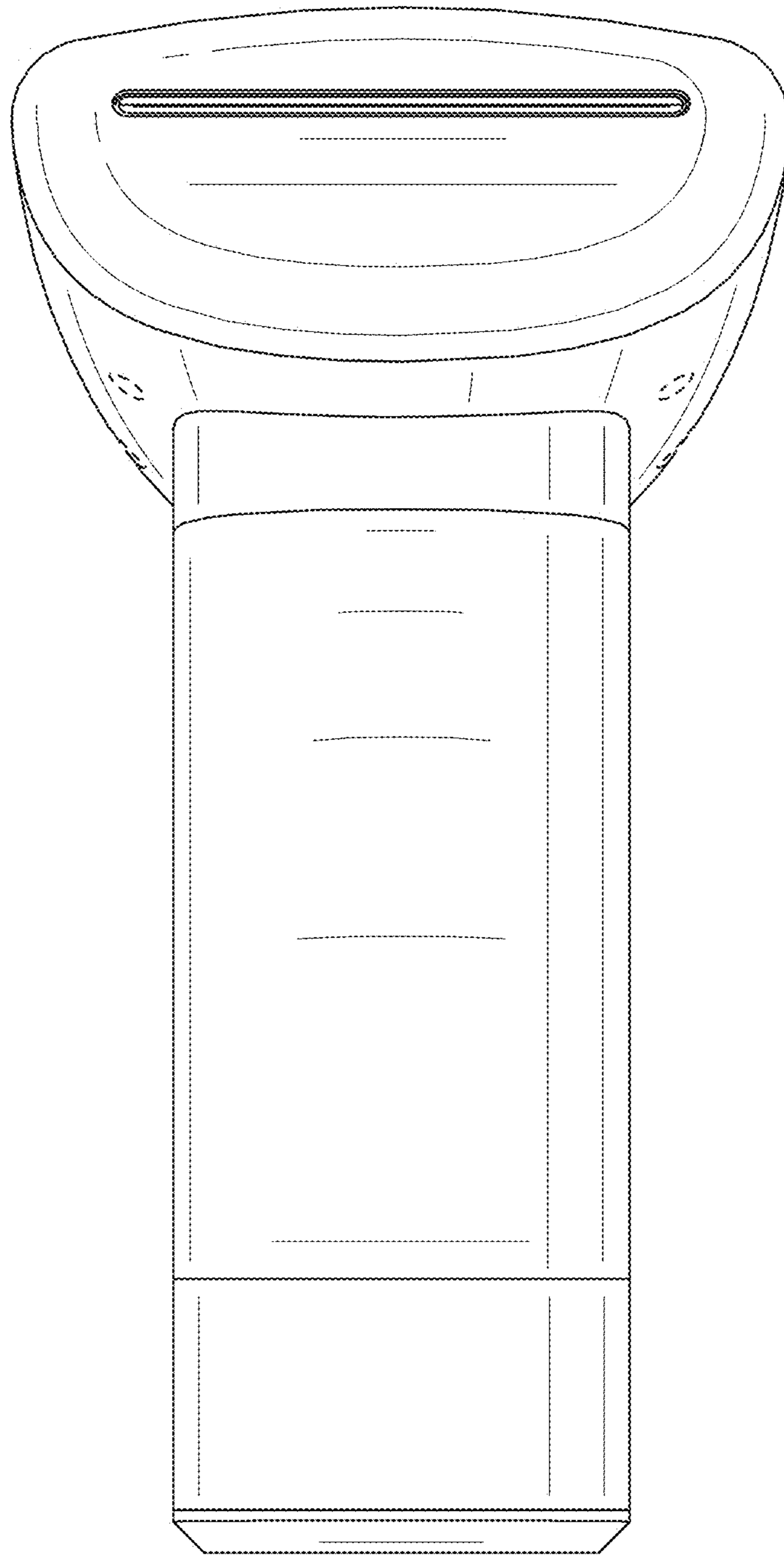


FIG. 4

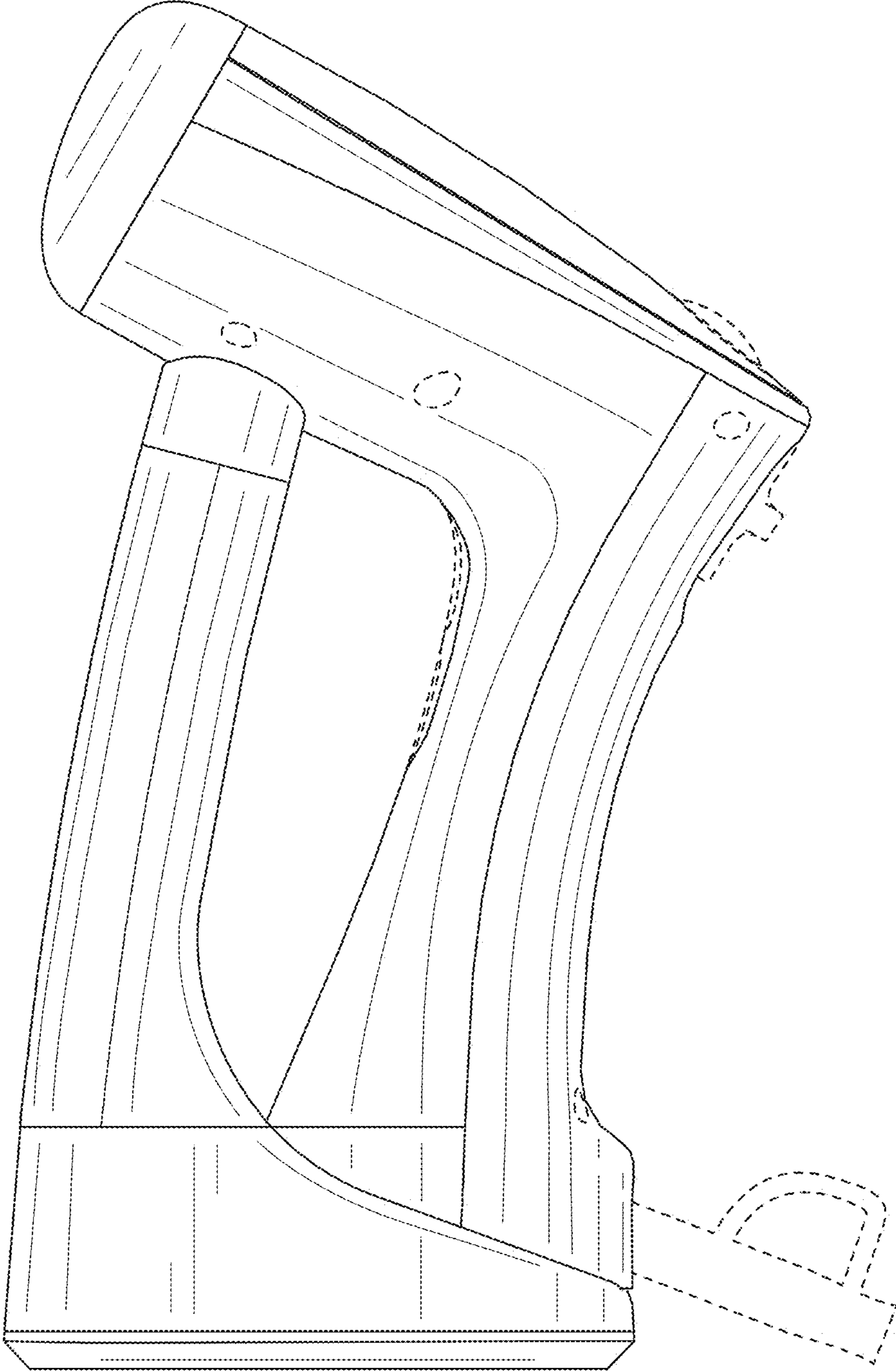


FIG. 5

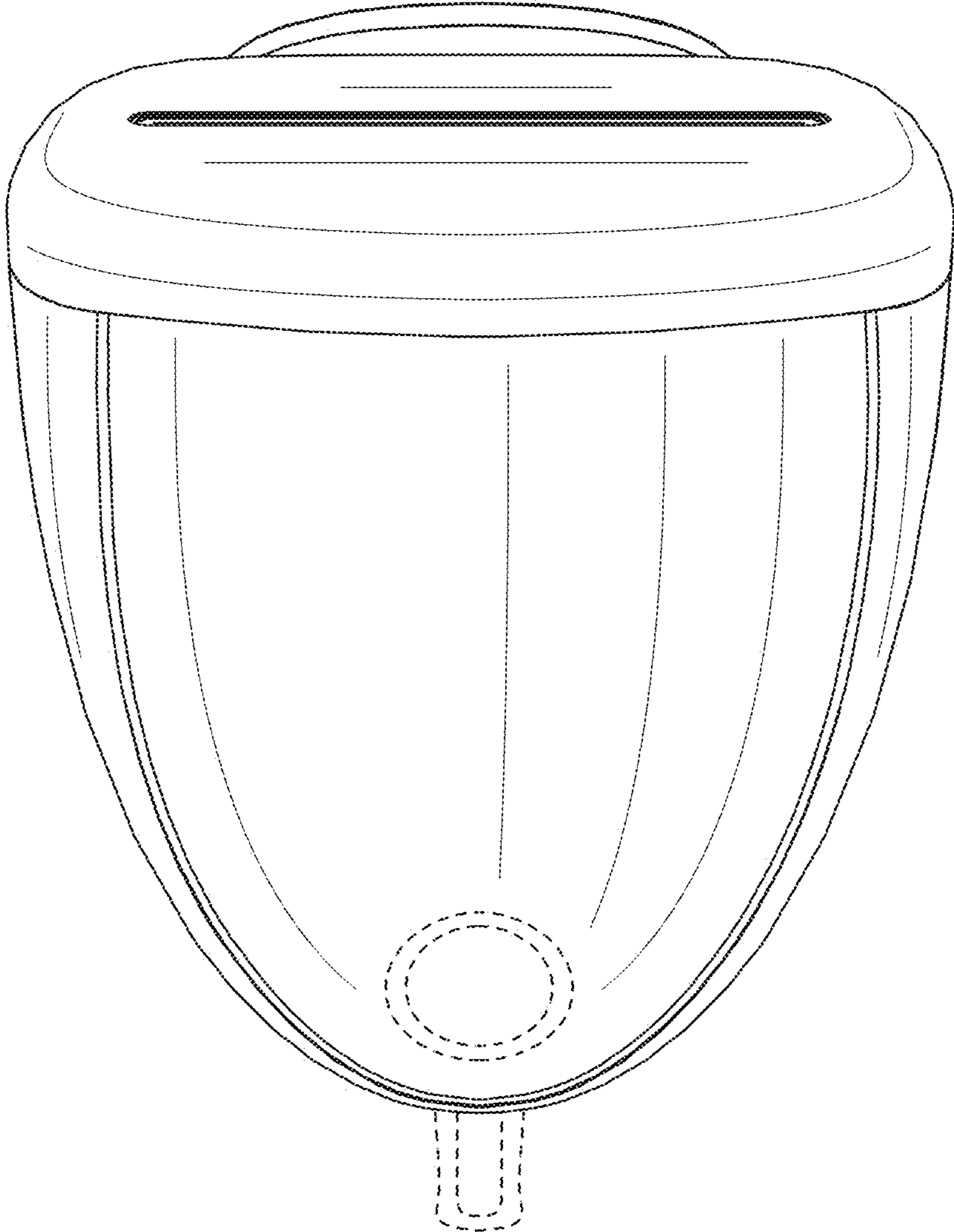


FIG. 6

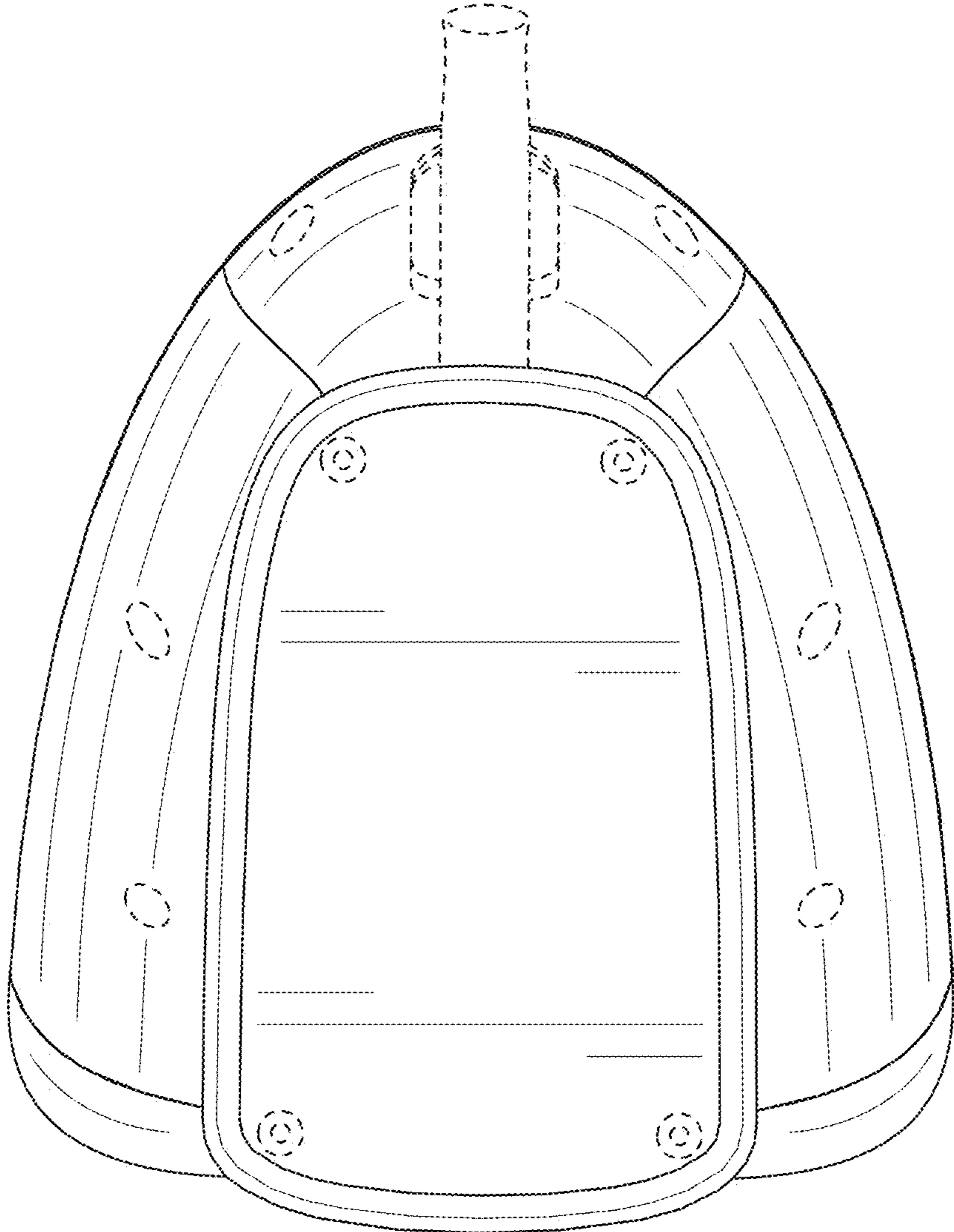


FIG. 7