



US00D966635S

(12) **United States Design Patent** (10) **Patent No.:** **US D966,635 S**
Cederberg (45) **Date of Patent:** **** Oct. 11, 2022**

(54) **PIPE CLEANING MACHINE**
(71) Applicant: **Martin Cederberg**, Falun (SE)
(72) Inventor: **Martin Cederberg**, Falun (SE)
(**) Term: **15 Years**
(21) Appl. No.: **29/759,800**
(22) Filed: **Nov. 25, 2020**

(30) **Foreign Application Priority Data**

Jun. 4, 2020 (EM) 007985205

(51) **LOC (13) Cl.** **15-05**
(52) **U.S. Cl.**
USPC **D32/14**
(58) **Field of Classification Search**
USPC D32/14
CPC B08B 9/051; B08B 9/045; B65H 75/38
See application file for complete search history.

(56) **References Cited**

U.S. PATENT DOCUMENTS

D271,436 S * 11/1983 Babb D32/14
D298,071 S * 10/1988 Irwin D32/14
D307,496 S * 4/1990 Moss D32/14
D312,900 S * 12/1990 Russell D32/14
6,416,009 B1 * 7/2002 Iacofano B65H 75/38
242/384.7
6,834,813 B1 * 12/2004 Nobi B65H 75/38
137/355.16
D509,929 S * 9/2005 Rutkowski D32/14
D555,847 S * 11/2007 Franzino D32/14
D650,954 S * 12/2011 Patterson D32/14
D807,730 S * 1/2018 Wu D8/356
D849,339 S * 5/2019 Fan D32/14
D885,697 S * 5/2020 Brockman D32/14
D910,251 S * 2/2021 Lan D32/14
D911,639 S * 2/2021 Hintz D32/14
2002/0130210 A1 * 9/2002 Schellekens B65H 75/4463
242/399.1

2003/0035685 A1 * 2/2003 Schmitt B08B 9/045
403/322.1
2009/0038093 A1 * 2/2009 Irwin B08B 9/0436
15/104.095
2010/0125959 A1 * 5/2010 Sooy G05B 19/042
15/104.33
2010/0139696 A1 * 6/2010 Silverman B08B 9/045
134/22.11
2012/0203501 A1 * 8/2012 Gress B08B 9/045
702/151
2012/0312910 A1 * 12/2012 Lokkinen B65H 75/425
242/390.5
2018/0126428 A1 * 5/2018 Hsu B08B 9/045
2020/0230668 A1 * 7/2020 Baek B08B 9/043
2021/0041005 A1 * 2/2021 Cole H02K 5/24

OTHER PUBLICATIONS

Commerical Sewer Snake, Xtremepower website 2022, site visited Jan. 26, 2022, https://xtremepowerusa.com/products/commercial-sewer-snake-drain-cleaner-auger-machine-50-ft-long-1-2-w-4-different-heads.*

* cited by examiner

Primary Examiner — John R Yeh

(74) *Attorney, Agent, or Firm* — Dilworth & Barrese, LLP

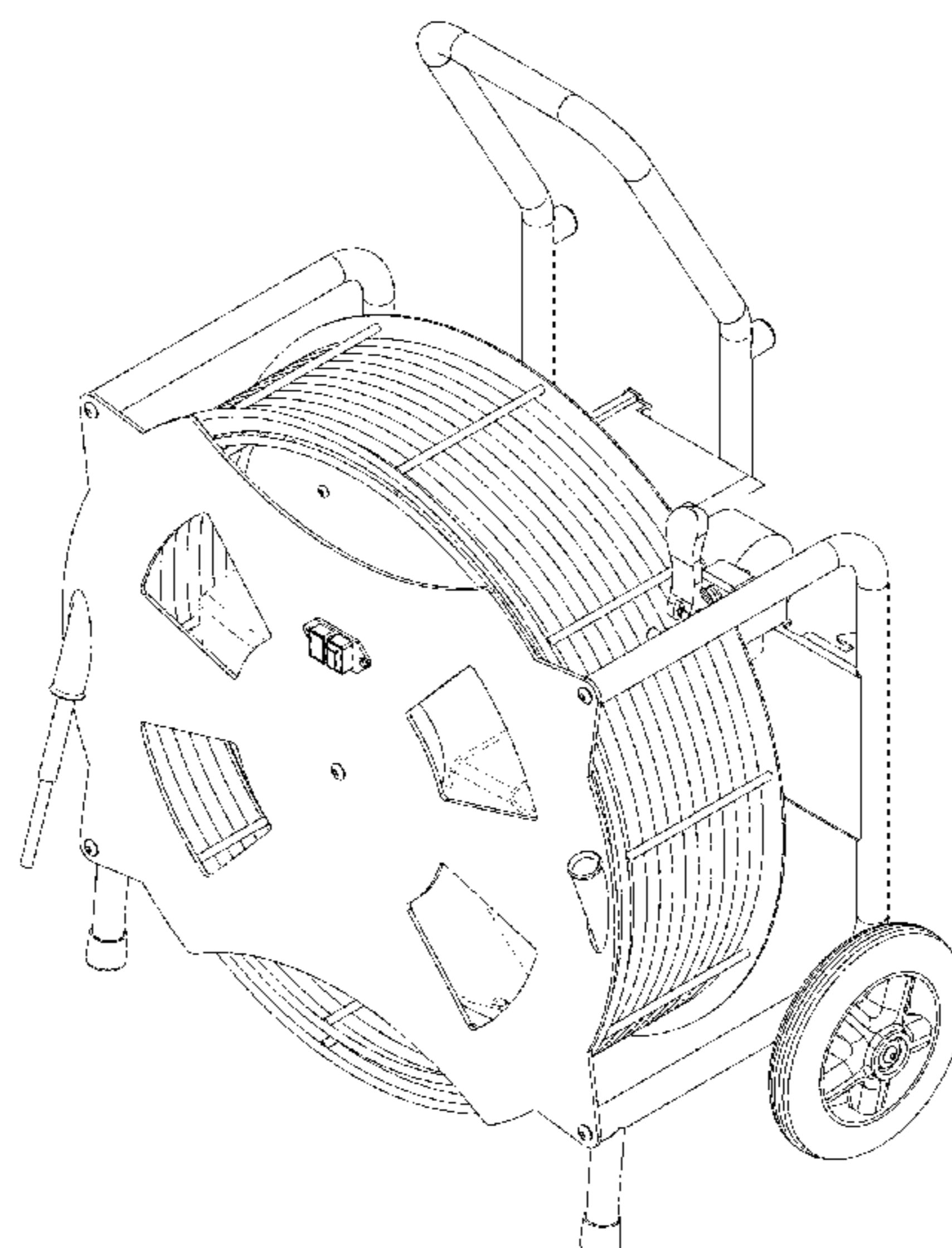
(57) **CLAIM**

The ornamental design for a pipe cleaning machine, as shown and described.

DESCRIPTION

FIG. 1 is a right side, top perspective view of my new design for a pipe cleaning machine;
FIG. 2 is a left side, top perspective view thereof;
FIG. 3 is a front elevational view thereof;
FIG. 4 is a rear elevational view thereof;
FIG. 5 is a right side elevational view thereof;
FIG. 6 is a left side elevational view thereof; and,
FIG. 7 is a bottom plan view thereof.

1 Claim, 7 Drawing Sheets



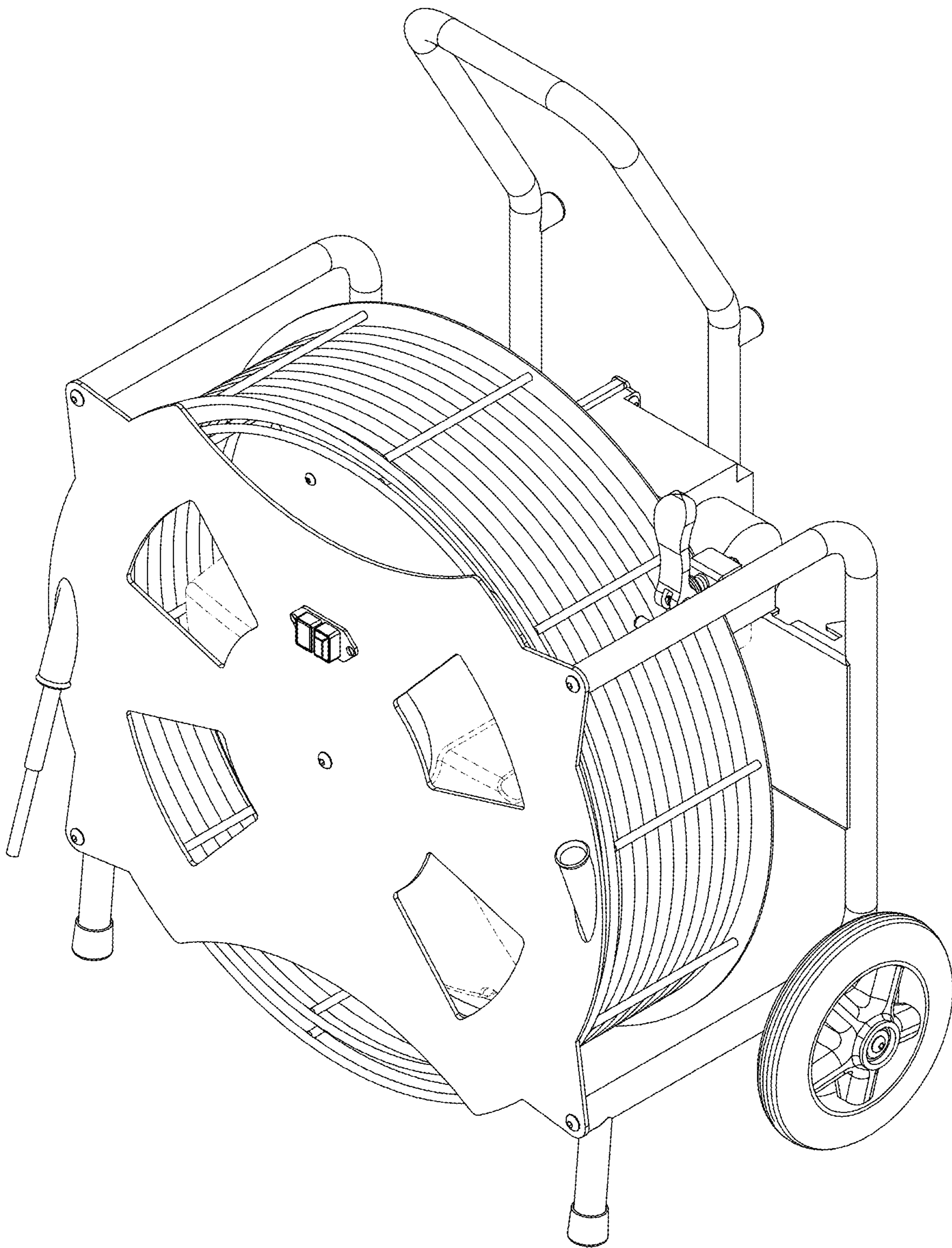


FIG. 1

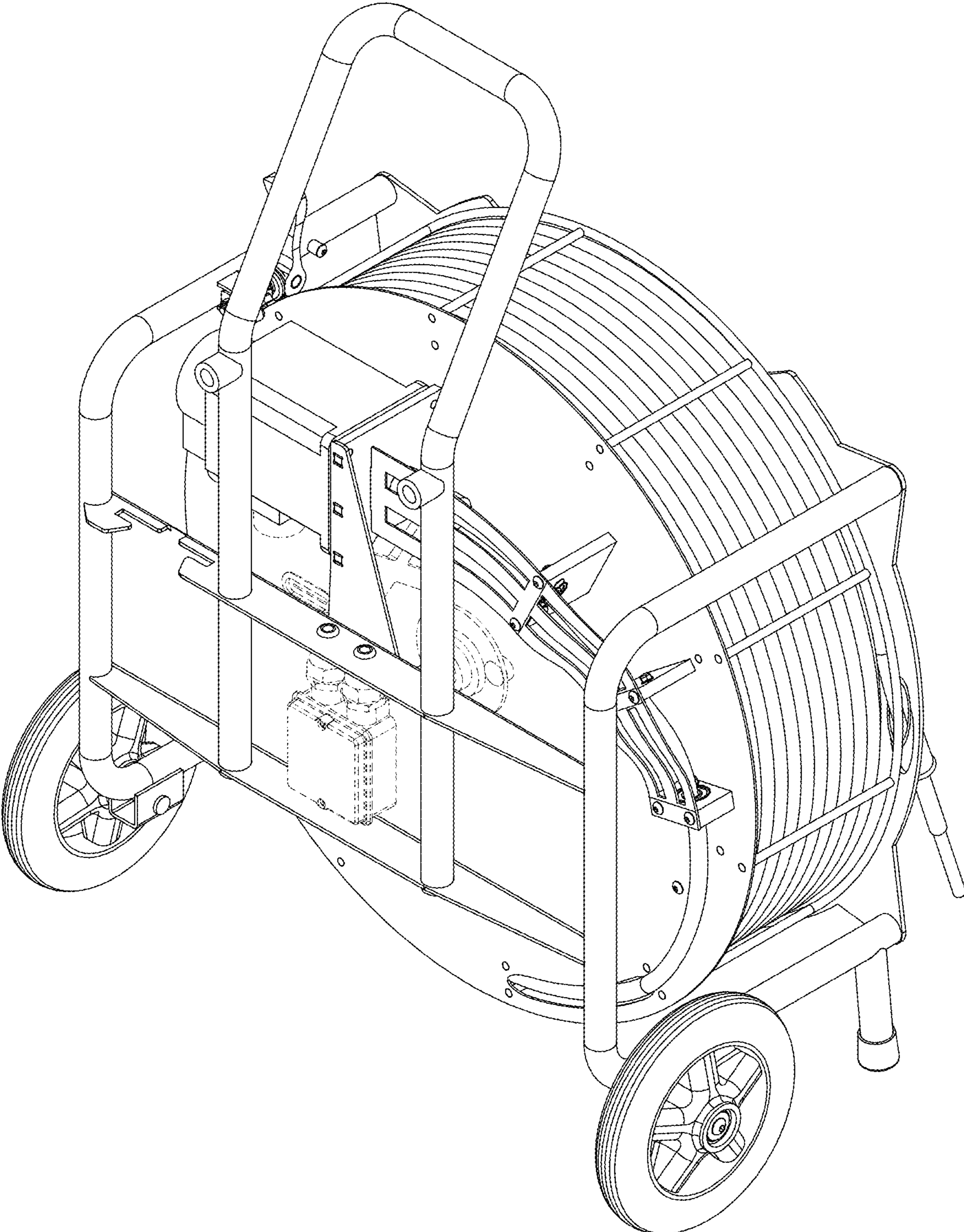


FIG. 2

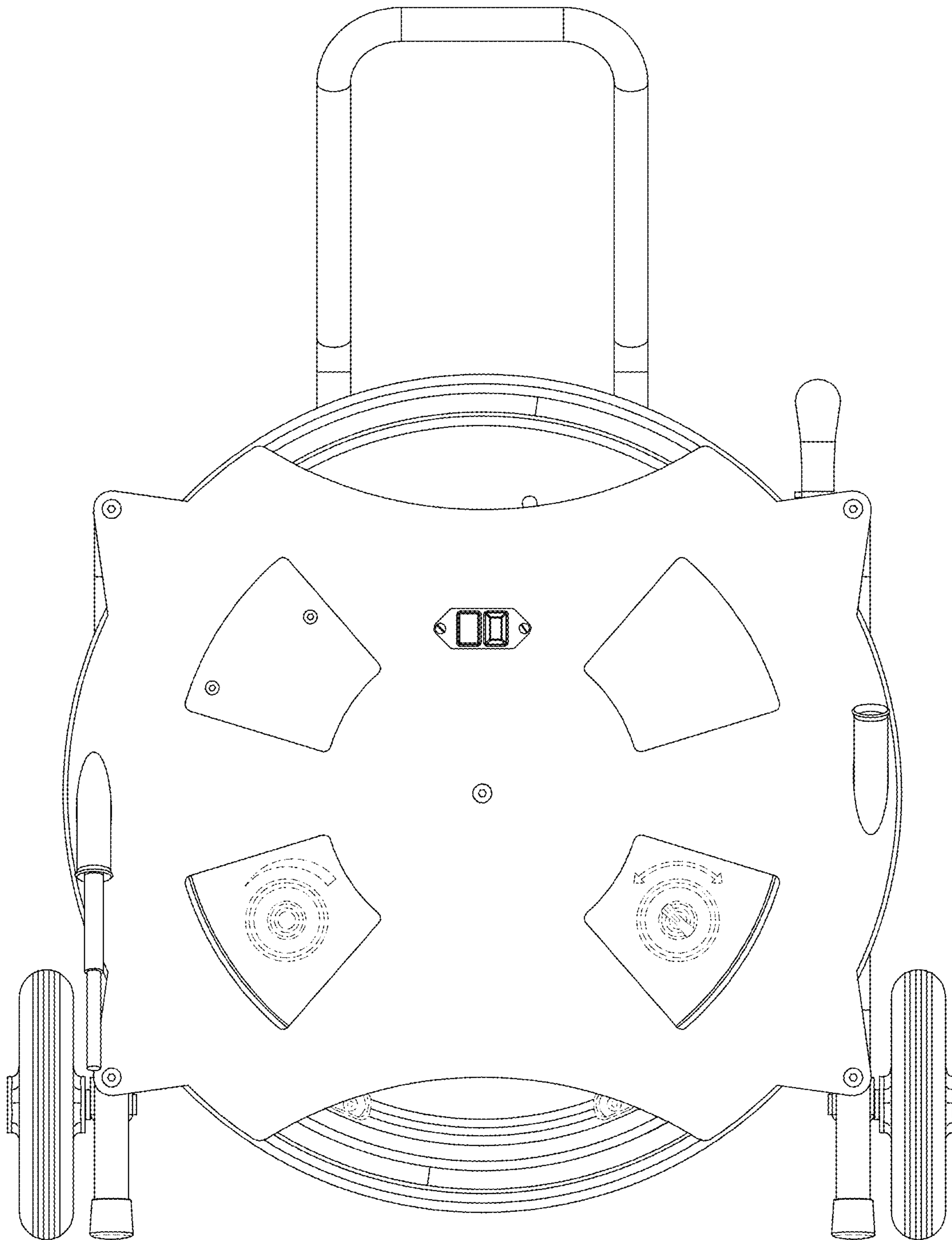


FIG. 3

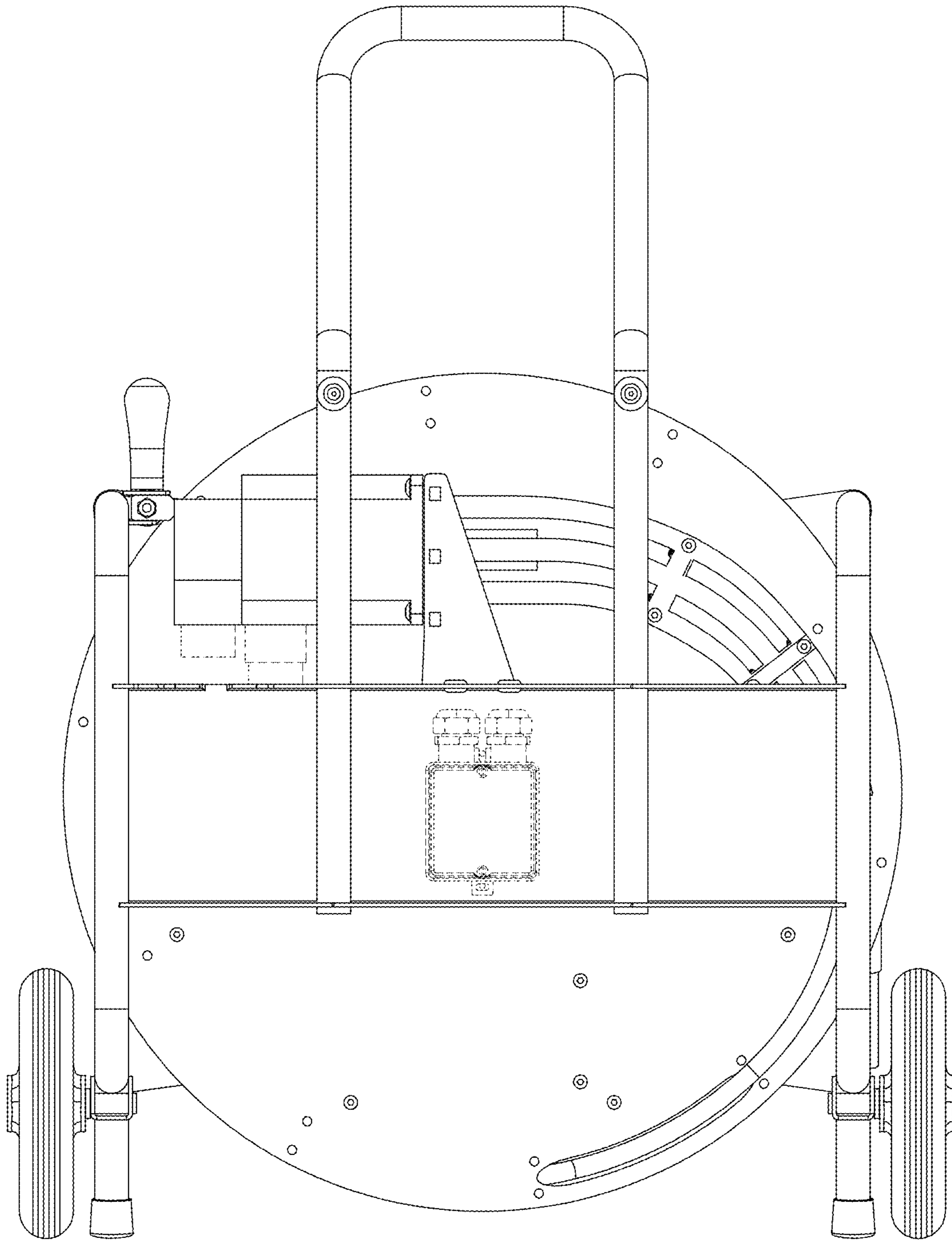


FIG. 4

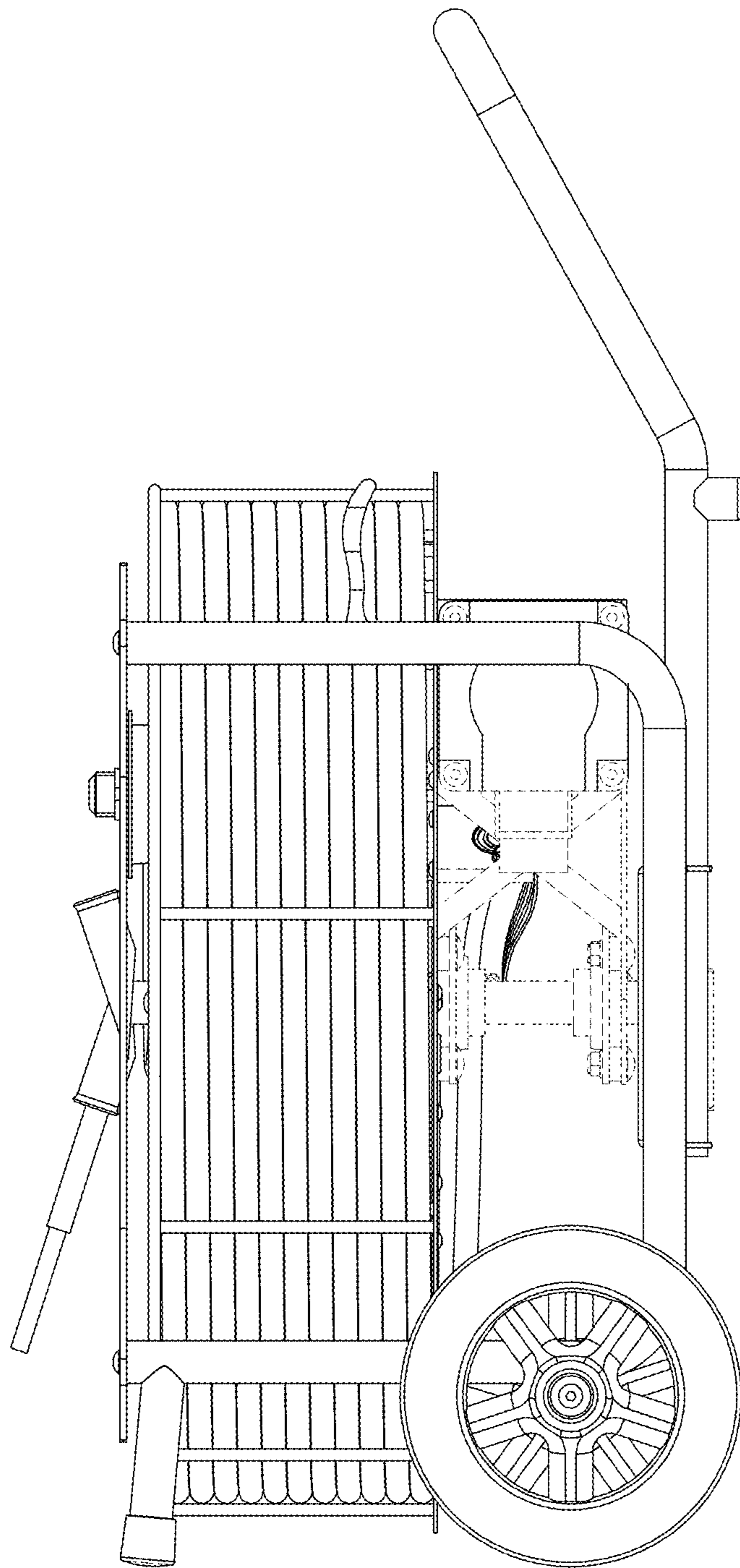


FIG. 5

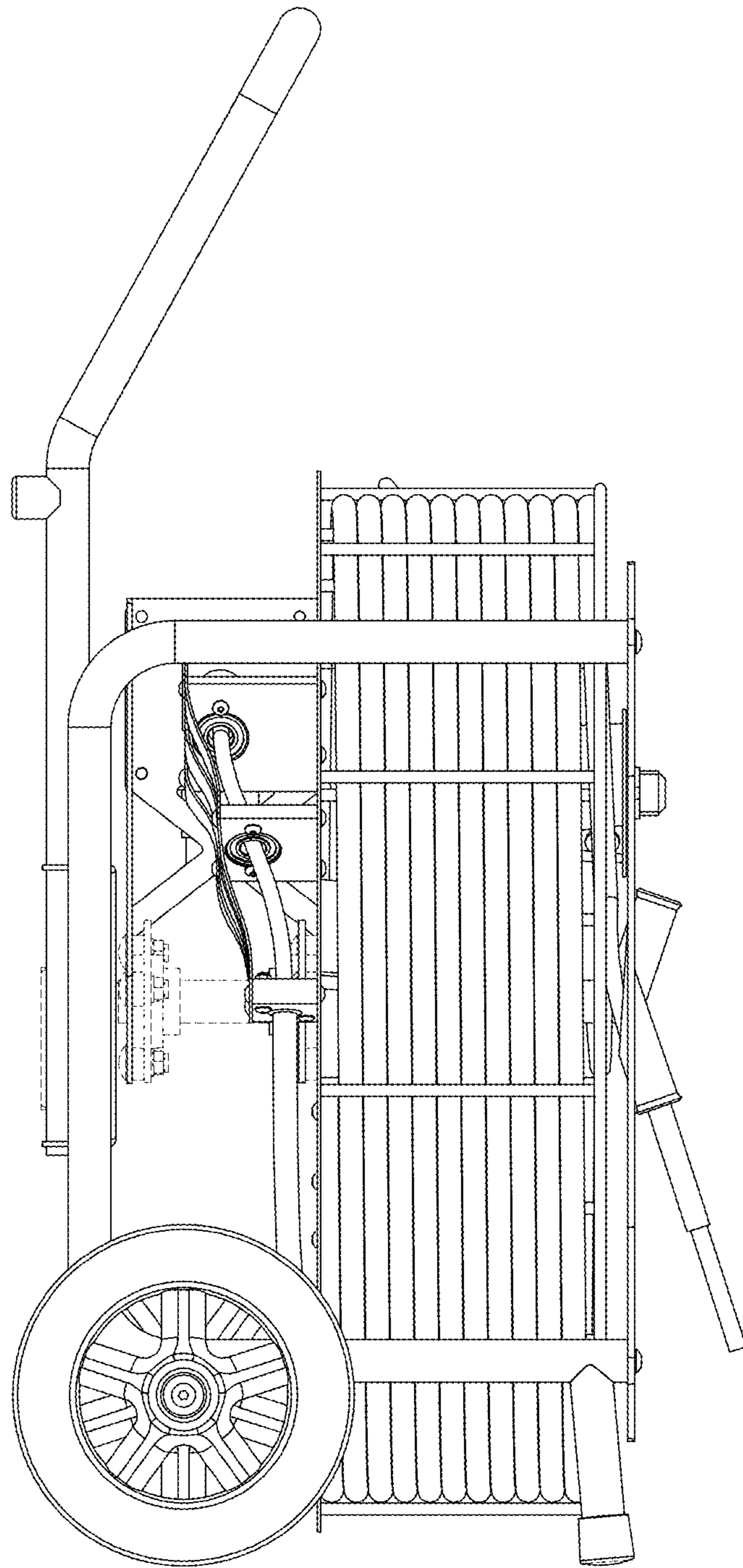


FIG. 6

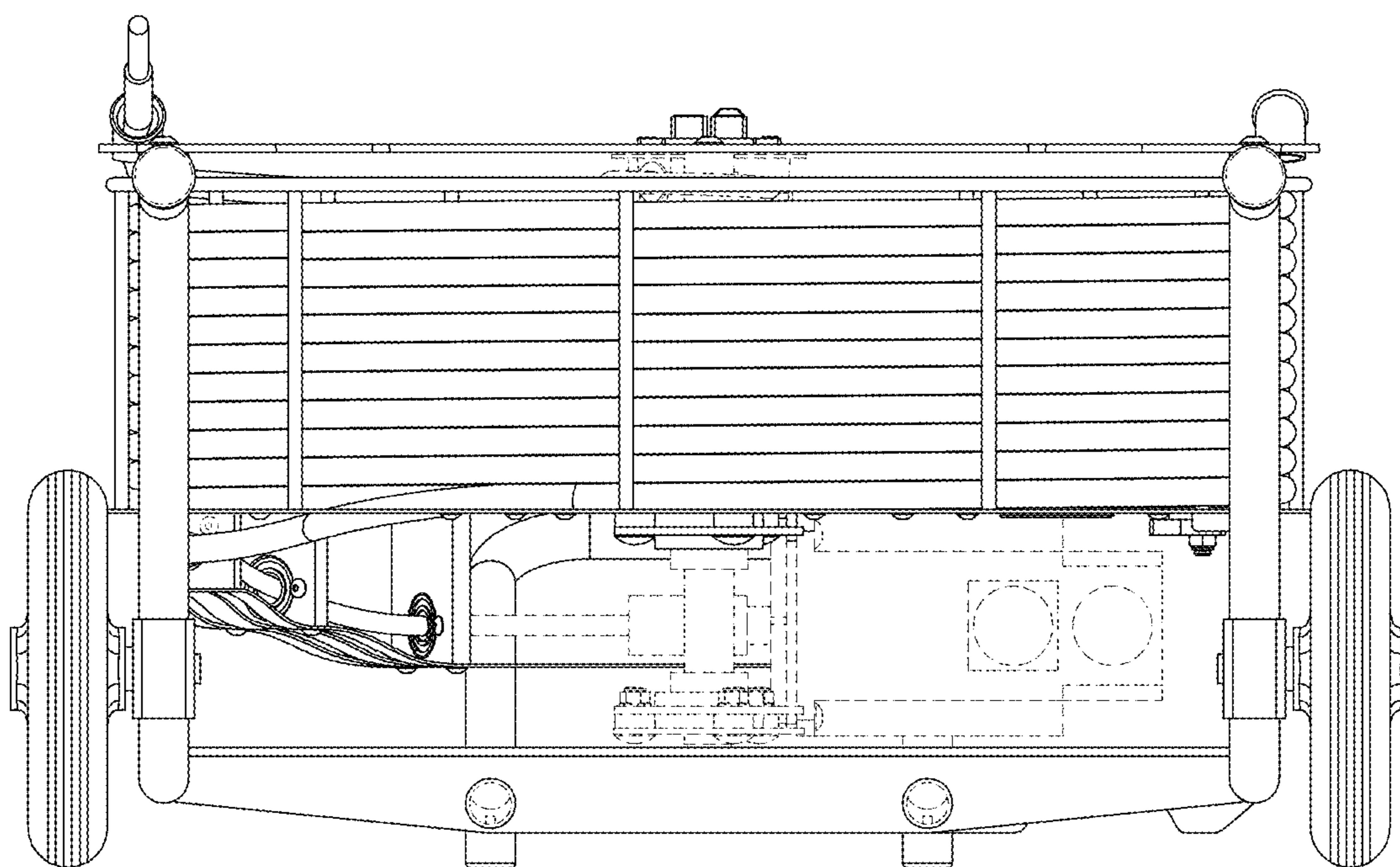


FIG. 7